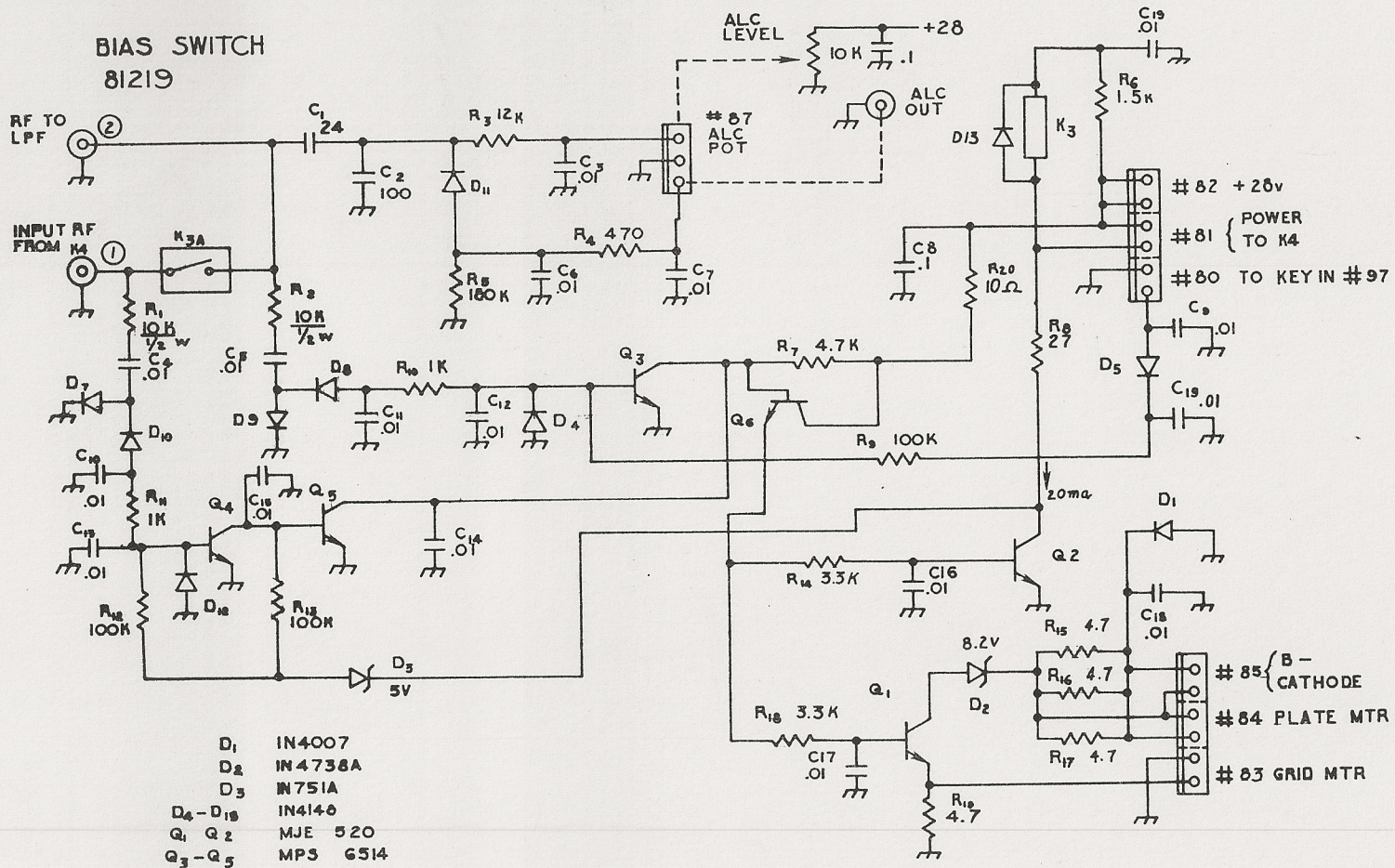
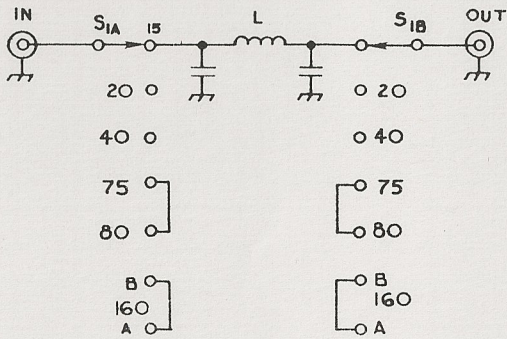


# BIAS SWITCH 81219



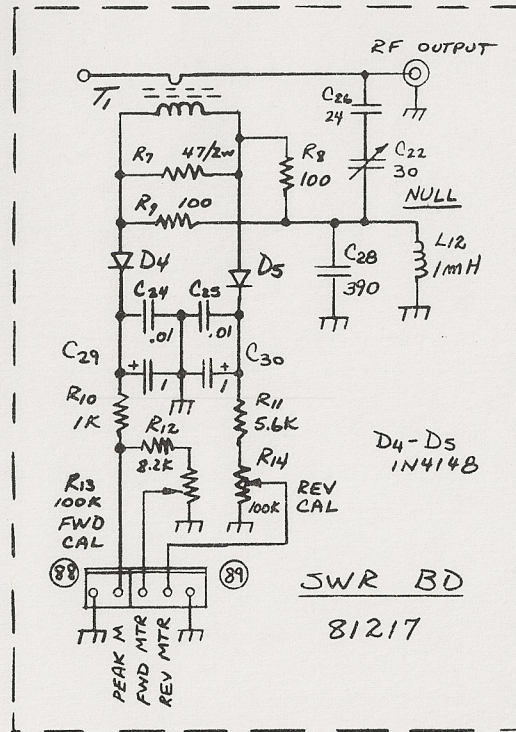
- D<sub>1</sub> IN4007
- D<sub>2</sub> IN4738A
- D<sub>3</sub> IN751A
- D<sub>4</sub>-D<sub>19</sub> IN4140
- Q<sub>1</sub> Q<sub>2</sub> MJE 520
- Q<sub>3</sub>-Q<sub>5</sub> MPS 6514

LOWPASS FILTER  
81223

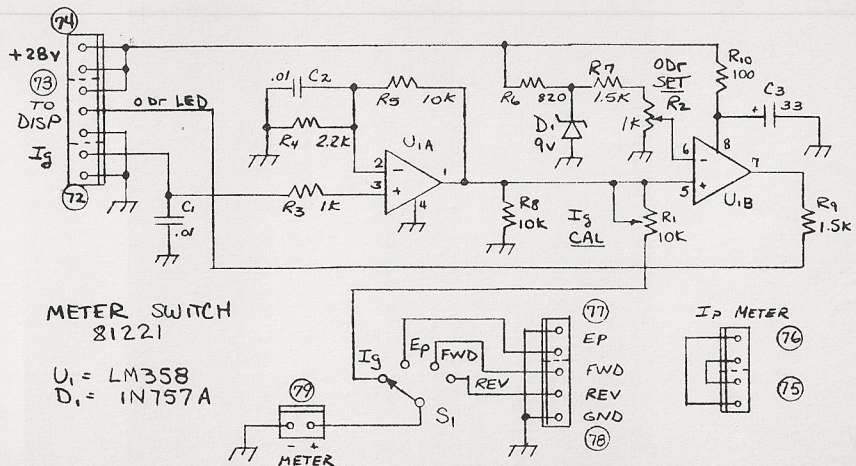


BAND	C <sub>1</sub>	L, μH	C <sub>2</sub>
160	3300	3 μH	3300
80	1500 + 200	1.5 μH	1500 + 200
40	1000	.7 μH	1000 + 100
20	270 pF	.31 μH	8T
15	220	.23 μH	6T
10	150 pF	.11 μH	3T

7-9-84



9-7-84



9-9-84

