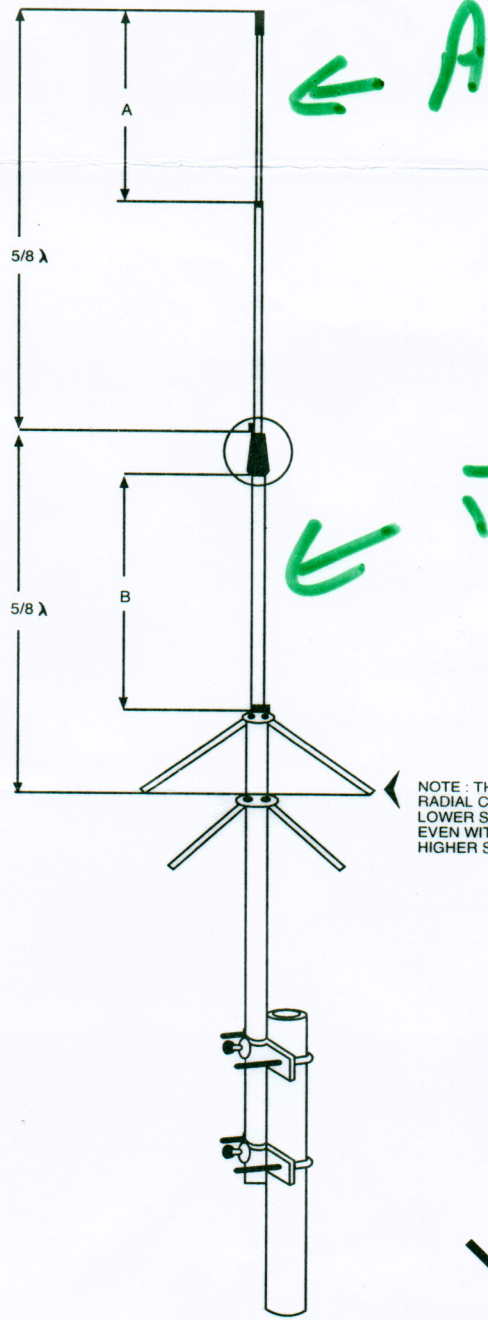
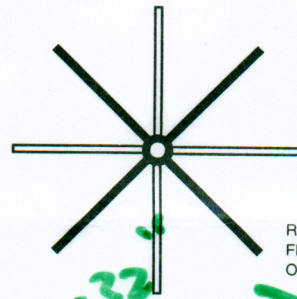


1.284 m
1.284 m

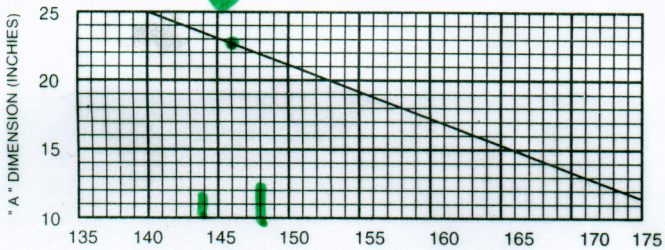


NOTE: THE TOPS OF THE RADIAL CLAMPS FOR THE LOWER SET OF RADIALS IS EVEN WITH THE TIPS OF THE HIGHER SET

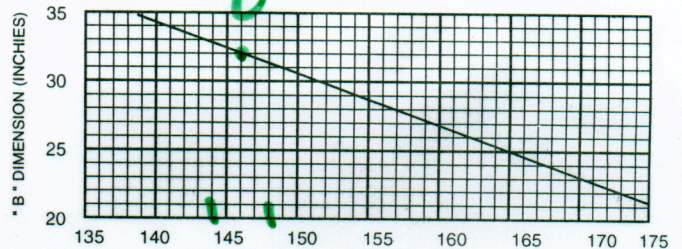
NOTE: AT 146 MHz, A = 22 1/2", B = 32"



RADIAL AS SEEN FROM EITHER THE TOP OR THE BOTTOM



FREQUENCY IN MHz
Dimension "A" Chart.



FREQUENCY IN MHz
Dimension "B" Chart.