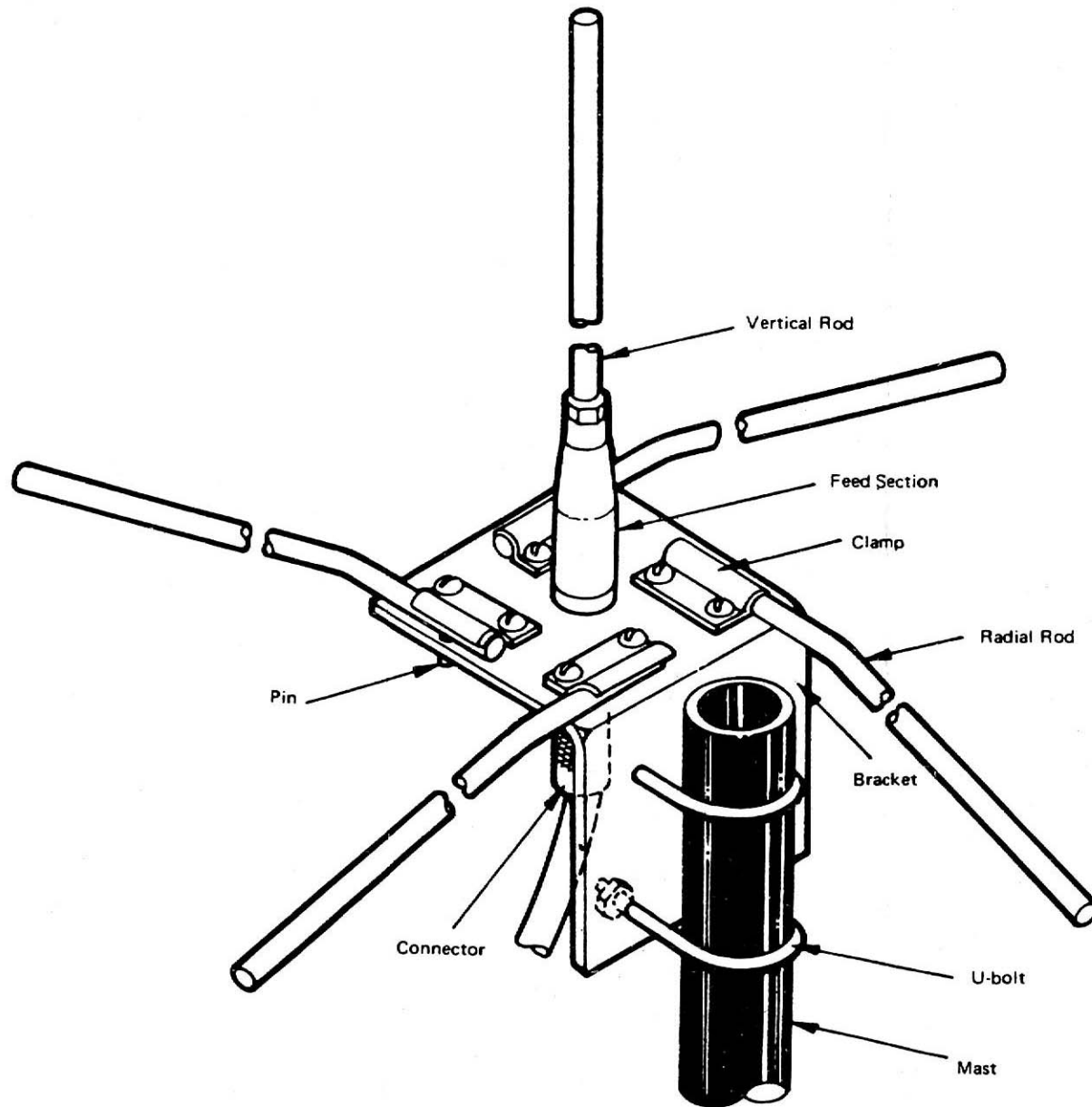


Assembling Instructions for 79 MHz

Ground Plane Antenna,



- Put the feed section into the center hole of the support bracket, and fasten them using lockwasher and nut.
- Screw the vertical rod into the top of feed section and fasten it with nut.
- Remove the 4 clamps from the support bracket temporarily. Put the pins of 4 radial rods into the holes of the support bracket respectively and put back the clamps. Fasten them using clamp screws, washers and nuts.
- Put the support bracket on a mast using 2 U-bolts, hex. nuts and washers.
- Use PL-259 connector.

MARCUCCI

— a company with quality —