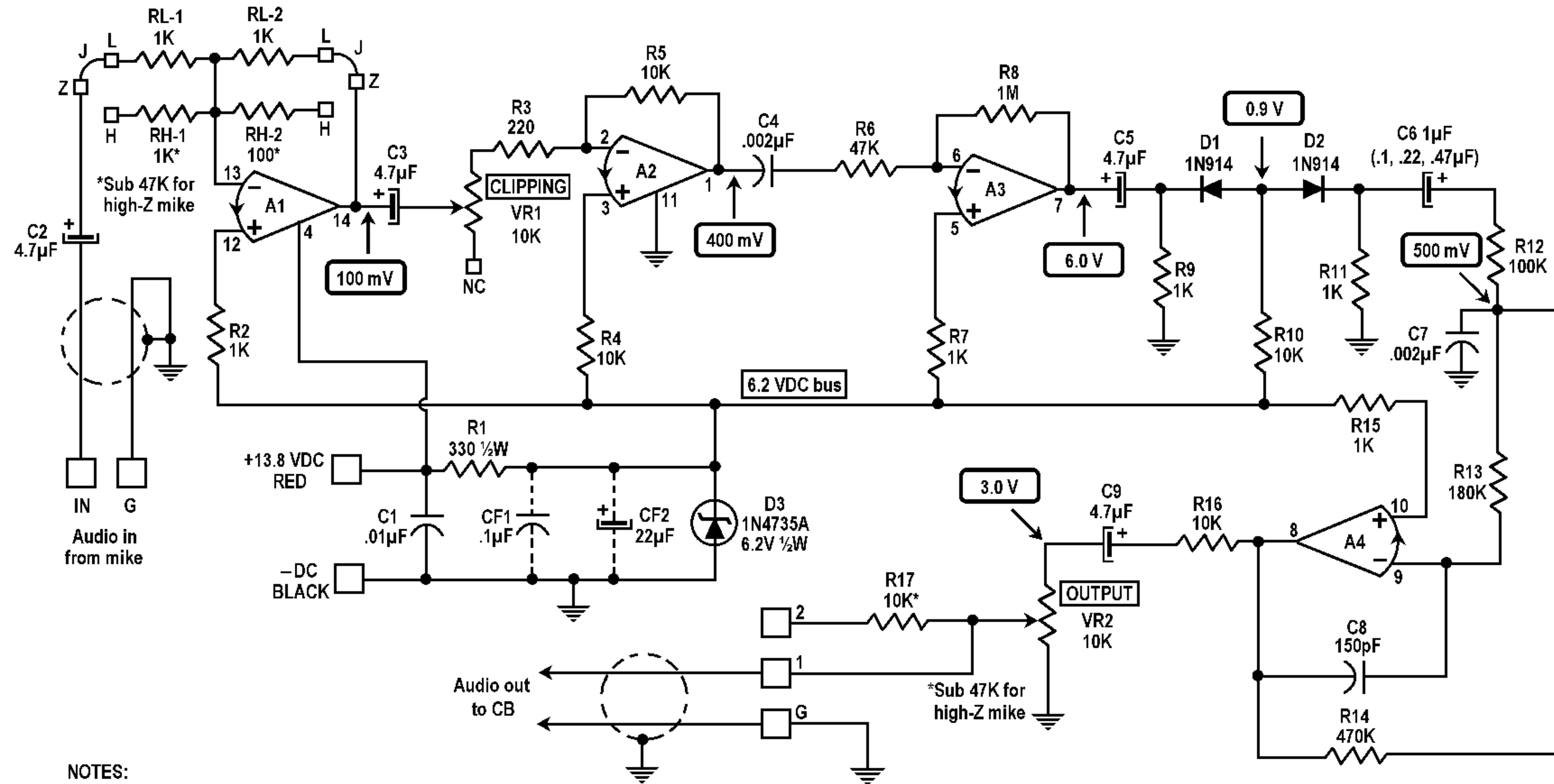


Schematic Circuit Diagram



NOTES:

1. All resistors are $\frac{1}{4}W$ unless otherwise noted.
2. C4 chosen between $.001\mu F$ and $0.1\mu F$ for most natural voice quality.
3. C6 may be $0.47\mu F$ or $1\mu F$ electrolytic, or $0.1\mu F$ or $0.22\mu F$ disc. Holes provided for both types.
4. CF1, CF2 are optional filtering, not supplied. (See text.)
5. INPUT and OUTPUT cables shown jumpered for standard low-impedance dynamic mike and solid-state transceiver.


DC TEST VOLTAGES ($V_{CC} = 13.75$ VDC @ 24 mA.)

LM324 IC:

Pin 4 = 13.75 VDC

Pin 11 = 0.0 VDC

All other pins approximately equal to the Zener voltage, 6.20 VDC.

 = Approximate peak-peak levels using standard dynamic mike, 200mV input level (loud whistling) and VR1 turned all the way up.