

OPERATING MANUAL W-2 WATTMETER

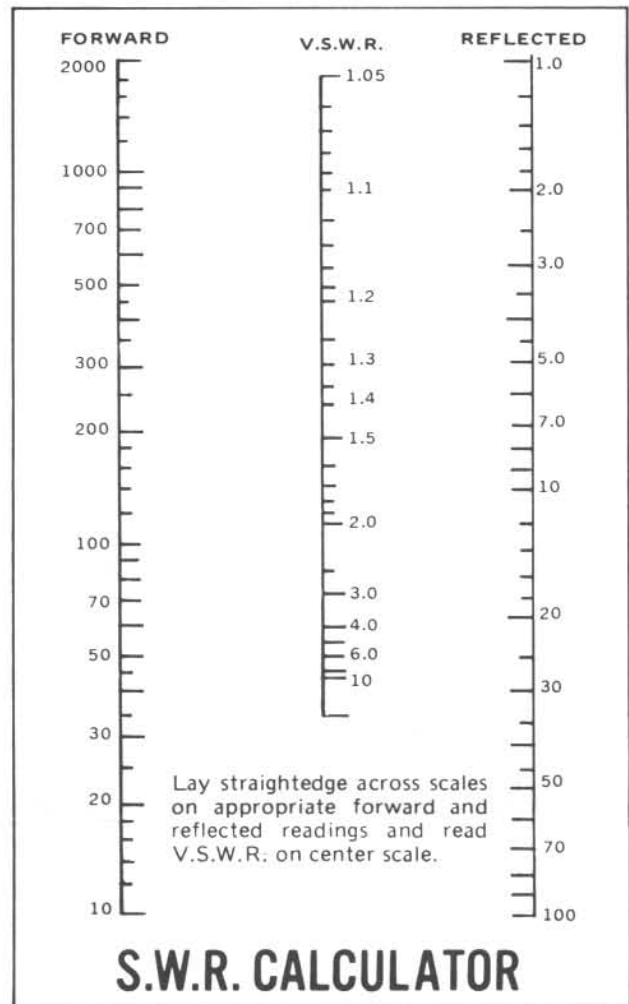
DENTRON

OPERATING MANUAL W-2 WATTMETER

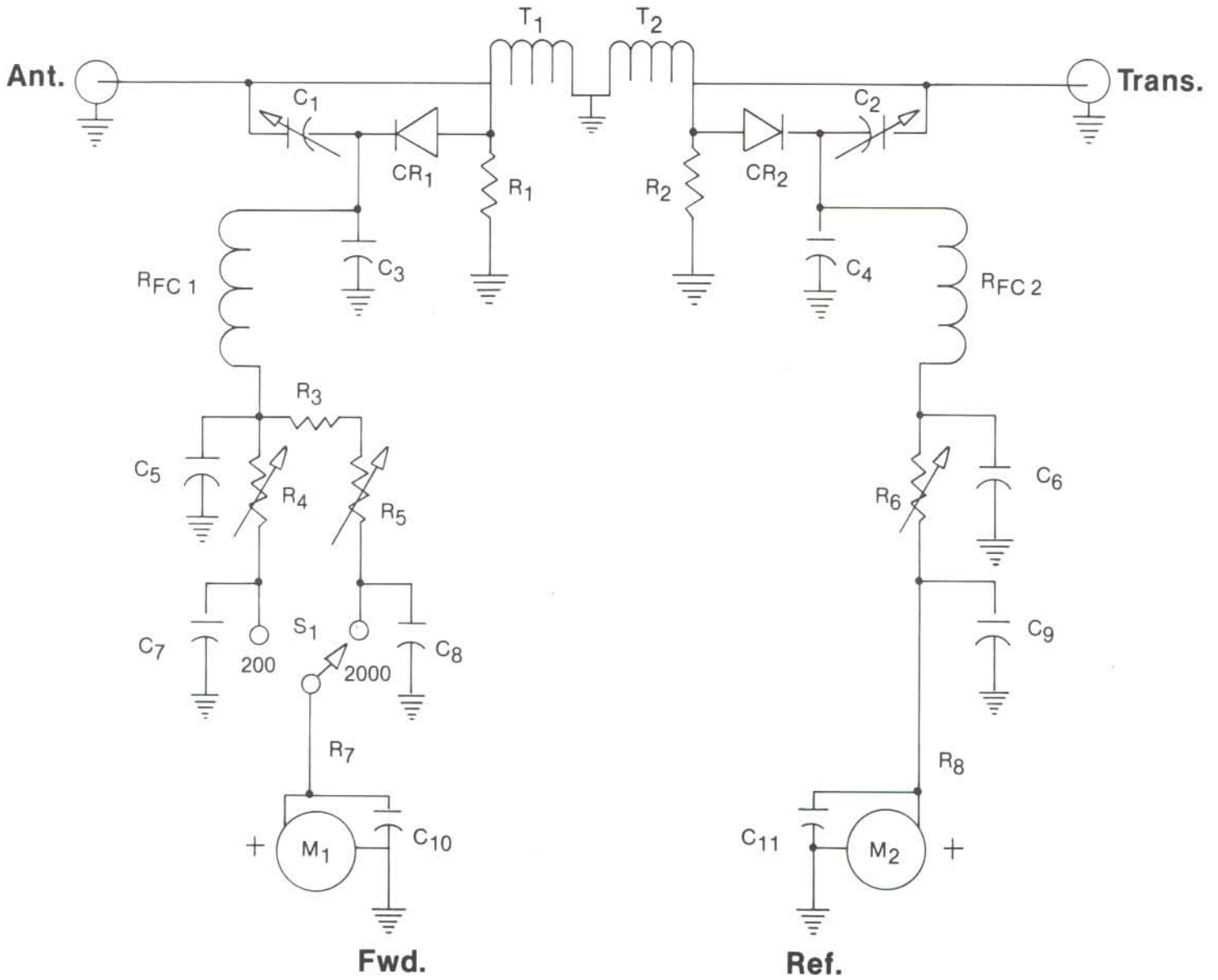
1. The W-2 Wattmeter should be installed between the output of the transmitter (or amplifier) and the antenna or tuner. Ordinary PL-259 coax connectors will couple correctly with the SO-239 receptacles on the sensing element. The sensing element is completely removable for station convenience. It can be removed by unscrewing the two machine screws on the bottom of the cabinet that holds it in place. In this manner, the sensing element can be installed behind the operating table so that bulky coax need not be brought up. Approximately 4 feet of cable connects the sensing element to the meter allowing a wide range of installation positions.
2. The W-2 sensor element has a slide switch (200 or 2000). This should be set for forward wattage desired. Reflected stays at 200 watts.
3. The sensor element is factory adjusted and needs no further adjustments. Advise the factory if problem exists.

W-2 WATTMETER PARTS LIST

C₁ & C₂ - 1-8 PF
C₃ & C₄ - 220 PF
C₅ & C₁₁ - .01 Disc.
CR₁ & CR₂ - 1N295 Diodes
R₁ - 47 Ohms ½ Watt
R₂ - 10 Ohms ½ Watt
R₃ - 51K ½ Watt
R₄ & R₅ & R₆ - 100K Pots
T₁ - T₂ Toroid
M₁ & M₂ - 200 ua Meters
RFC₁ & RFC₂ - 390 uh Chokes



W-2 WATTMETER



Limited 90 Day Warranty

Dentron Radio is proud of the quality and workmanship of its communication equipment. If properly installed and operated in accordance with our instruction manual, it will give reliable performance. Dentron Radio extends to you as an owner of a new Dentron Radio Product the warranty set forth below:

For ninety (90) days from the date of original retail purchase, **DENTRON RADIO CO.** will either repair or replace, at its option, free of charge, any part or parts found to be defective in material or workmanship. Transportation charges for any parts submitted for replacement under this warranty must be paid by the purchaser.

This warranty will not apply to any part which has become inoperative due to misuse, excessive use, accident, neglect, improper maintenance, alterations, or unless the unit has been operated and maintained in accordance with the instructions furnished.

This warranty will not apply where the unit has been used commercially or when the unit has been used in conjunction with accessories not manufactured by **DENTRON RADIO CO.**

All implied warranties are limited in duration to ninety (90) days from the date of original retail purchase.

The provisions of this warranty specifically exclude any warranty or remedies for incidental or consequential damages.

SOME STATES DO NOT ALLOW THE EXCLUSION OR LIMITATION OF INCIDENTAL OR CONSEQUENTIAL DAMAGES OR LIMITATIONS ON HOW LONG AN IMPLIED WARRANTY LASTS, SO THE ABOVE LIMITATIONS OR EXCLUSIONS MAY NOT APPLY TO YOU.

In order to obtain warranty service, send written notification to the following address: **DENTRON RADIO CO.**, Attn: Service Dept., 1605 Commerce Drive, Stow, Ohio 44224.

Any written notification should include the model number of the unit, date and place of purchase, and a description of the defective part or condition. Do not return the unit or any parts unless requested to do so by **DENTRON RADIO CO.**

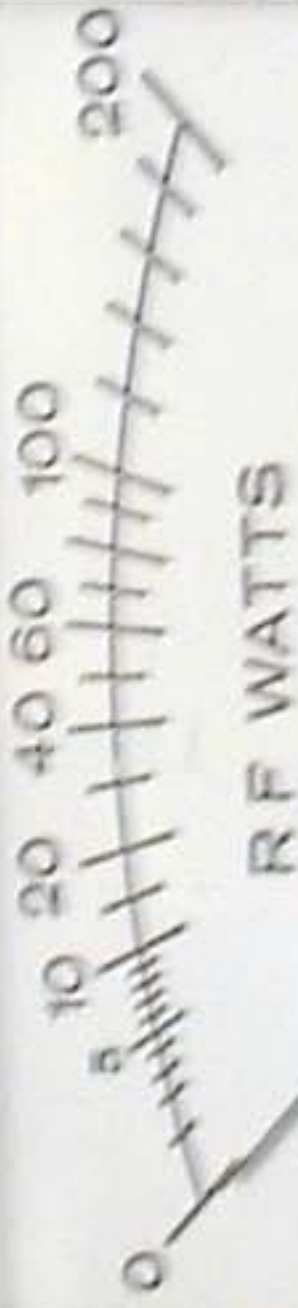
Although the return of the **DENTRON** Warranty Registration Card is not a condition precedent to warranty coverage and performance, the purchaser is encouraged to promptly return the Warranty Registration Card upon purchase in order to more easily facilitate the handling of any future service under these warranty provisions.

THIS WARRANTY GIVES YOU SPECIFIC LEGAL RIGHTS. YOU MAY ALSO HAVE OTHER RIGHTS WHICH VARY FROM STATE TO STATE.

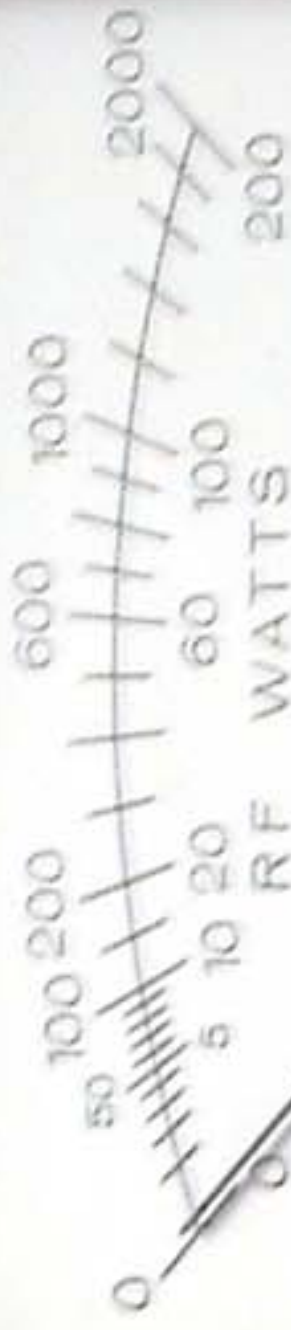


DENTRON

1605 COMMERCE DRIVE
STOW, OHIO 44224 • (216) 688-4973



Dentron



Dentron

REFLECTED WATTS

Dentron W-2 WATT METER

FORWARD WATTS