

Assembly Manual

Go/No-Go Crystal Checker

(PCB & components only)

PLEASE READ DISCLAIMER CAREFULLY AS WE
CAN ONLY GUARANTEE PARTS AND NOT THE
LABOUR CONTENT YOU PROVIDE

Reproduced in part by arrangement
with Silicon Chip, from their August
1994 edition.

K-7228

DICK SMITH
ELECTRONICS

ACN 000 445 956

K I T

This simple circuit will help you sort through that pile of crystals lying on your work bench. If the crystal works, the LED lights. Best off all, it can use parts which you probably already have in your junkbox.

If you've had a go at building any RF projects in the past you'll probably have a couple or maybe quite a few crystals lying around. Crystals are quite fragile components because of their construction. Unlike a resistor or capacitor, if you drop one on the ground from a decent height, it's a 50-50 bet whether it will work again.

Testing them is not a breeze either. You just can't take out your trusty multimeter and plug the crystal in. In fact, the only real way is to try it in an oscillator circuit. And that's exactly what this little Crystal Checker does. The crystal is placed in the feedback network of a transistor oscillator. If it oscillates, meaning that the crystal works, a LED lights up. If the crystal doesn't work, the LED stays off. You can't get much simpler than that.

Note that if you have overtone crystals, the circuit will not tell you whether or not the crystal is operating at the designated frequency, just whether or not it will oscillate at its fundamental frequency.

Circuit description

Let's take a look at the circuit in Fig.1. As you can see, there are only two transistors, a couple of diodes, a LED and a few other components. Q1 is a BF199 RF transistor and with its associated components forms an untuned Colpitts oscillator. The crystal forms the main element of the circuit. Positive feedback comes from the emitter through the .001 μ F capacitor back to the crystal and base.

If the crystal works, the circuit will begin oscillating immediately and a waveform will appear at the emitter

of Q1. If you look at this on your oscilloscope, you could expect to see a rough sinewave with an amplitude of about 2V peak-to-peak, depending on the frequency.

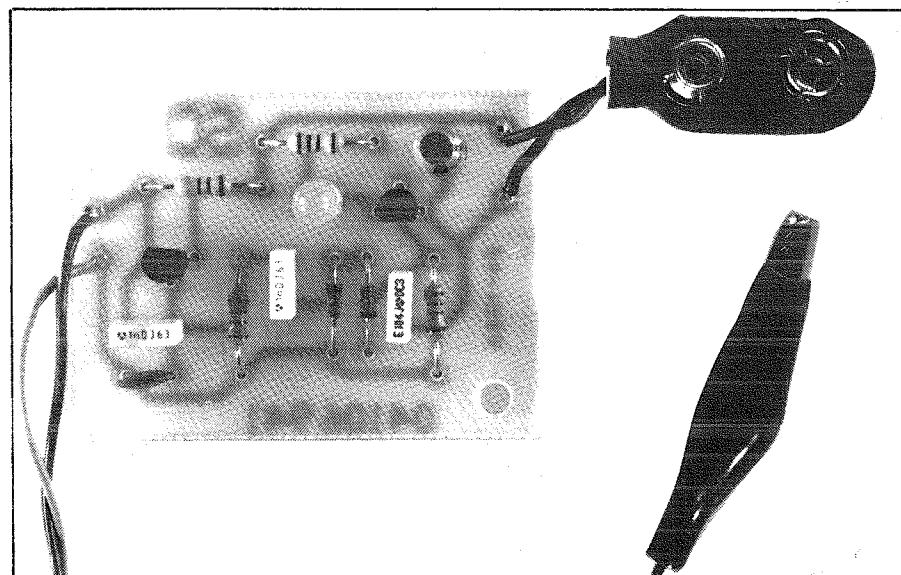
Diodes D1 and D2 rectify the signal from the emitter of Q1 and the resulting DC voltage is fed to the base of transistor Q2. Once this voltage exceeds 0.6V, transistor Q2 turns on and lights LED 1. As soon as the crystal is removed, the circuit stops oscillating and the LED goes out.

As a point of interest, if the crystals you have are less than 10MHz, then you could probably get away with a BC548 for Q1. The BC548-series transistors have a high F_T (gain-bandwidth product) of about 100MHz or so but they don't tend to work well in oscillator circuits above about 10MHz. FM

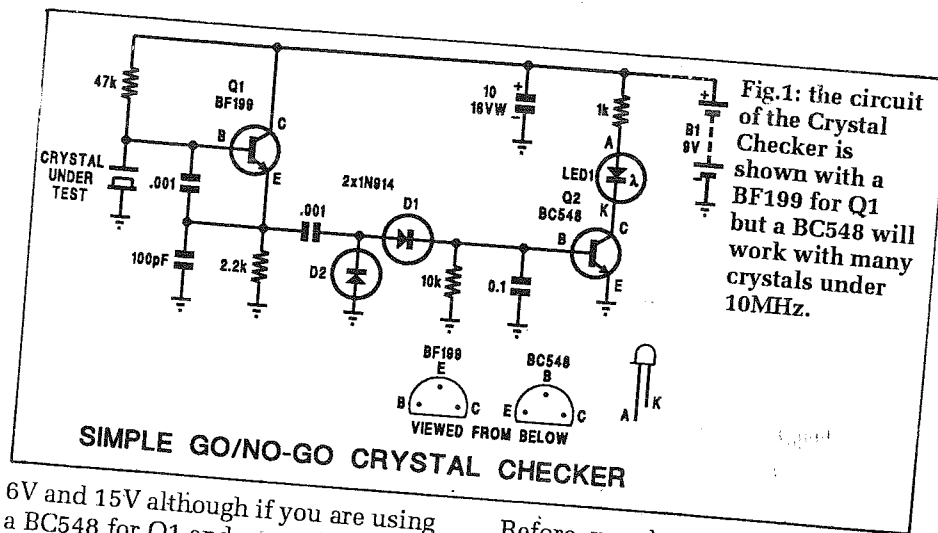
microphones often get away with a BC548 but the output at the required 100MHz or so is quite low – in the order of millivolts which is too low for our application. Below 10MHz, they work quite well with a good output voltage. Why not try one out and see what you get. You can't damage the crystal and it's always fun to experiment!

Power is supplied by a 9V battery which is bypassed by a 10 μ F electrolytic capacitor. We haven't specified a power switch mainly for the reason that it would double the cost of the parts! Besides, once you've checked all your crystals, you can unclip the battery and use it on something else.

You could also experiment with different supply rails. The circuit should work well with any voltage between



This photo shows the completed Crystal Checker. If the crystal is working, the LED will light up.



Parts List

- 1 PC board, code ZA1288, 52 x 40mm
- 4 PC stakes
- 1 Battery clip
- 1 Red and black alligator clip
- Semiconductors**
- 1 BF199 RF NPN transistor (Q1)
- 1 BC548 NPN transistor (Q2)
- 2 1N914/1N4148 signal diodes (D1, D2)
- 1 5mm green LED (LED1)
- Capacitors**
- 1 10µF 16/25VW electrolytic
- 1 0.1µF/100n/104k 63VW MKT polyester
- 2 .001µF /1n/102k 63VW MKT polyester
- 1 100pF ceramic
- Resistors**
- 1 47kΩ (yel-vio-org)
- 1 10kΩ (brn-blk-org)
- 1 2.2kΩ (red-red-red)
- 1 1kΩ (brn-blk-red)

6V and 15V although if you are using a BC548 for Q1 and a supply voltage of less than 9V, it may not like the higher crystal frequencies. Again, experiment and see for yourself! The quiescent current should be around 3mA, pushing up to 6-8mA with the LED on.

Construction

Construction of the Crystal Checker is a snap and shouldn't take you any more than an hour or so. All of the components except the 9V battery (not supplied) fit on a small PC board coded ZA 1288, and measuring only 52 x 40mm.

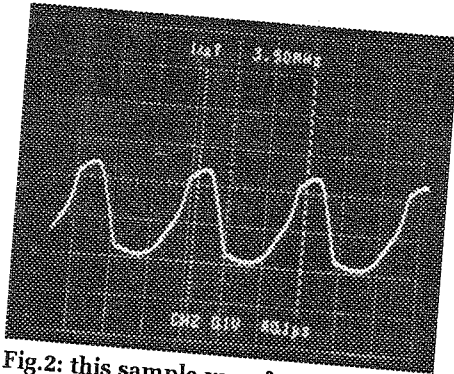


Fig.2: this sample waveform was taken from the emitter of Q1 with the scope probe set to 10:1 division. The crystal was an American TV intercarrier type with a frequency marking of 3.579545MHz. The on-screen measurement shows the frequency as 3.5MHz, well within the accuracy of most oscilloscopes. As you can see, the signal amplitude is about 2.4V peak-peak.

Before you begin any soldering, check the board thoroughly for any shorts or breaks in the copper tracks. These should be repaired with a small artwork knife or a touch of the soldering iron where appropriate.

When you're satisfied that the board is OK, start by installing the capacitors and transistors. Be sure to follow the overlay diagram (Fig.3) carefully, as some of these components are polarised and won't work if you install them the wrong way around.

Finally, solder in the LED and the PC stakes for the battery and the crystal. You might like to make up a pair of short alligator clip leads to connect the crystal - see photo.

Testing

Testing the circuit is pretty much the same as normal use. Find a crystal that you know works, preferably

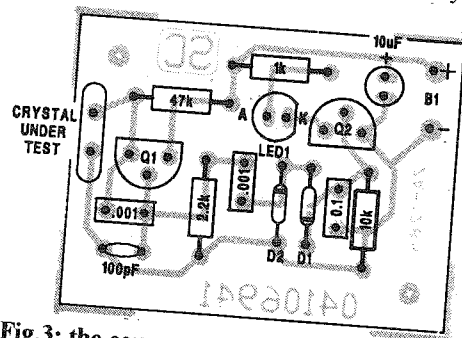


Fig.3: the component layout diagram for the PC board. We suggest connecting a pair of leads with alligator clips to makes connections to the crystal.

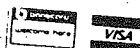
something between 32kHz to 4MHz, pop it in and connect the 9V battery. If the circuit works, you should see the LED light.

If it doesn't, check that the components are in their correct locations and check the orientation of the components such as the LED, transistors and diodes. In addition, check the solder connections for dry joints or shorts between tracks.

STORE LOCATIONS:

NSW • Albury 21 8399 • Bankstown Square 707 4888 • Blacktown 671 7722 • Brookvale 905 0441 • Bondi 387 1444 • Campbelltown 27 2199 • Chatswood Chase 411 1955 • Chullora 642 8922 • Gore Hill 439 5311 • Gosford 25 0235 • Hornsby 477 6633 • Hurstville 580 8622 • Kotara 56 2092 • Liverpool 600 9888 • Maitland 33 7866 • Miranda 525 2722 • Newcastle 61 1896 • North Ryde 878 3855 • North Sydney (Greenwood Plaza) 964 9467 • Orange 618 400 • Parramatta 689 2188 • Penrith 32 3400 • Railway Square 211 3777 • Sydney City 267 9111 • Tamworth 66 1711 • Wollongong 28 3800 ACT • Belconnen (06) 253 1785 • Orange 618 400 • Parramatta 689 2188 • Penrith 32 3400 • Bendigo 43 0388 • Box Hill 690 0699 • Coburg 383 4455 • Dandenong 794 9377 • East Brighton 592 2366 • Essendon 379 7444 • Fyshwick 280 4944 VIC • Ballarat 31 5433 • Melbourne City 399 Elizabeth St 326 6088 & 246 Bourke St 639 0396 • Richmond 428 1614 • Ringwood 879 5338 • Springvale 547 0522 QLD • Booval 282 6200 • Brisbane City 229 9377 • Buranda 391 6233 • Cairns 311 515 • Capalaba 245 2870 • Chermide 359 6255 • Maroochydore 791 800 • Rockhampton 27 9644 • Southport 32 9033 • Toowoomba 38 4300 • Townsville 72 5722 • Underwood 341 0844 • SA • Adelaide City 232 1200 • Beverley 347 1900 • Elizabeth 255 6099 • Enfield 260 6088 • St. Marys 277 8977 WA • Cannington 451 8666 • Fremantle 335 9733 • Perth City 481 3261 • Midland 250 1460 • Northbridge 328 6944 TAS • Hobart 31 0800 • Launceston 344 555 NT • Darwin 81 1977 STORES ACROSS AUSTRALIA AND NEW ZEALAND

PHONE ORDERS SYDNEY AREA 888 2105 OUTSIDE SYDNEY (FREE CALL) 008 22 6610



Text and illustrations courtesy of Silicon Chip