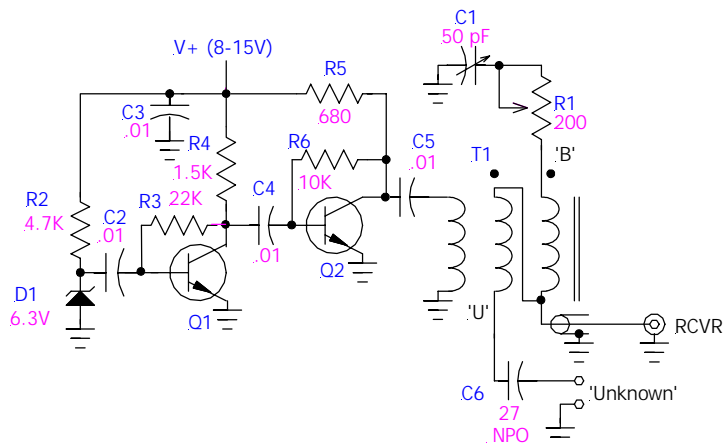


# Noise Bridge Instructions



- All resistors 5% 1/4W carbon comp.  
 Q1,Q2 PN2222A, 2N4401 or equiv. high-speed NPN Switch  
 D1 6.3V 0.5W Zener diode, 1N753A or equiv.  
 T1- 4 turns trifilar-wound on FT37-43 toroid.  
 Observe phasing.

Noise Bridge schematic  
 D. Benson, K1SWL 11/11/2001

