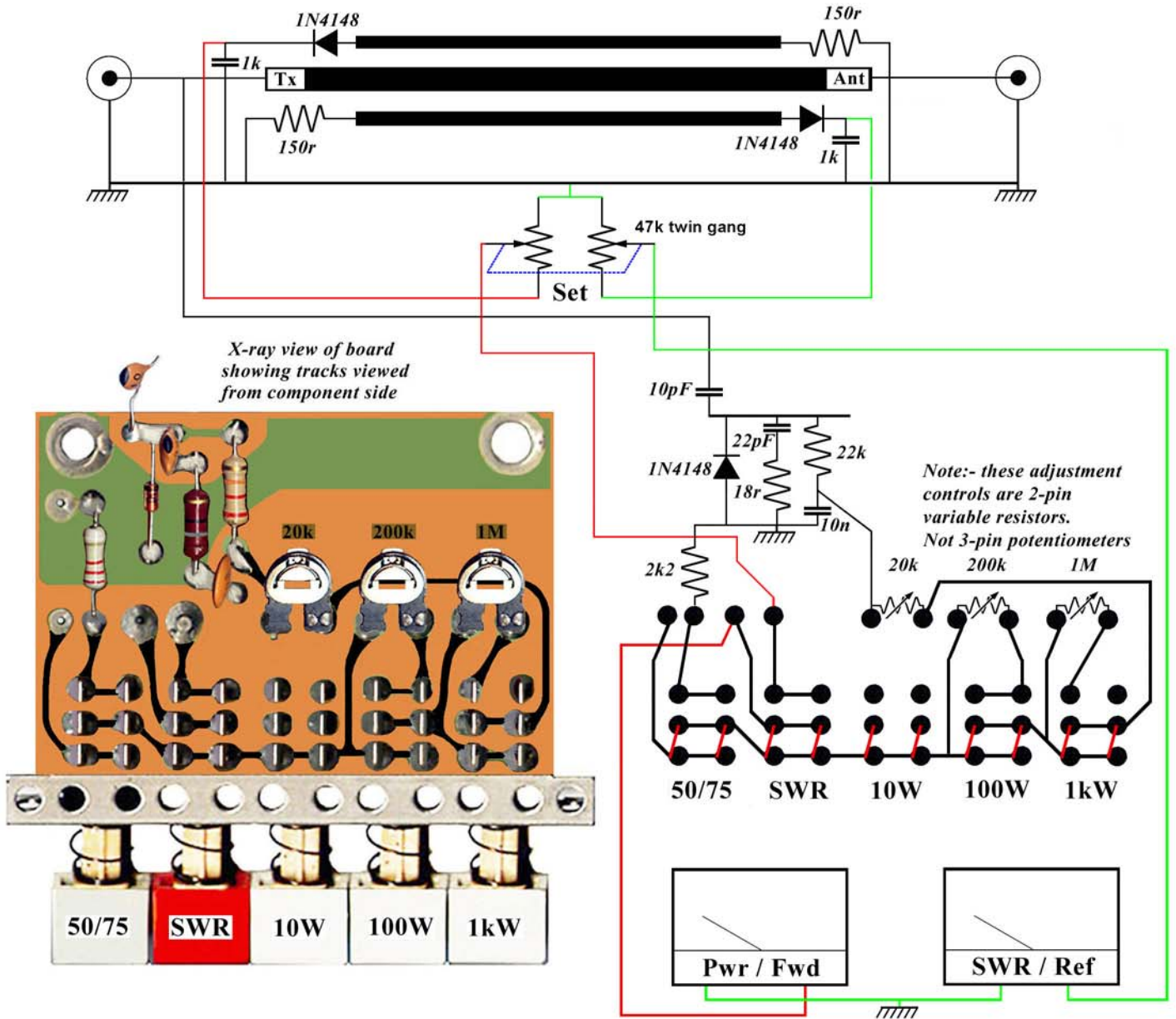


Zetagi mod.500 power / swr meter schematic



Zetagi HP500 / mod500 power / SWR meter

(Drawing supplied by Zetagi)

