

**TechnAspecs**

# ASTATIC 1104CM

**AMPLIFIED BASE STATION MICROPHONE**

**WITH METER AND EXTERNAL TONE & VOLUME CONTROLS**



3-1-1978  
MODEL 1104CM

## GENERAL DESCRIPTION

The new Astatic 1104CM preamplified base station microphone offers the CB'er modern styling, modern features, along with the sound and "talk-power" made famous by the Astatic D104 for over 40 years.

An output impedance compatible with the inputs of almost all commercial transmitters/transceivers and adjustable high gain amplifier ensures desired modulation level. The amplifier has easily accessible slide controls for volume and tone adjustment so that the correct modulation level and tone quality can be set for each operators voice. A master gain control, accessible only thru the open battery replacement door, can be adjusted to prevent over-modulation and distortion. The amplifier is powered by a readily available, easily replaced, 9 volt battery. The battery output voltage can be conveniently checked on an easy to read meter system which also serves as an audio indicator.

A six wire coil cord allows for relay, electronic or virtually any type hookup with almost any transmitter/transceiver. The audio line is open on receive.

Manufactured in the U.S.A. by Astatic, producers of quality microphones since 1932.

## SPECIFICATIONS 1104CM

- TYPE: Transistorized ceramic
- FREQUENCY RESPONSE: Adjustable (See Fig. #2).
- OUTPUT LEVEL: Adjustable, -25dB to -75dB below 1 V/microbar, open circuit, to set the correct modulation level.
- POLAR PATTERN: Semi-directional
- OUTPUT IMPEDANCE: 5000 ohms max.
- LOAD IMPEDANCE: 1000 ohms min.
- SWITCH: Push-bar controlled with lock-on feature. Open audio line during receive.
- AMPLIFIER: Two-stage, low noise FET input, rugged silicon transistor output, gain easily adjustable with slide knob control.
- MASTER GAIN CONTROL: Used to adjust maximum output.
- METER: Battery check and audio indicator.
- EXTERNAL VOLUME CONTROL: For external gain adjustments desired after proper adjustment of maximum output.
- TONE CONTROL: Easily adjusted slide knob (See Fig. #2).
- BATTERY TYPE: 9 volt; Eveready 216, Burgess 2V6, Ray-O-Vac 1604, etc.
- BATTERY DRAIN: 1.5 ma.
- BATTERY LIFE: Approximately 6 months (based on normal usage).
- TEMPERATURE RANGE: -30°C to +70°C
- HOUSING: Heavy die cast base, rugged Cyclocac housing assembly.
- CABLE: Coiled cord, 6 wire.
- SIZE: See Fig. #1
- HOOK-UP: Same as T-UG9 stand.
- FINISH: Durable molded Cyclocac in multiple colors with die cast base painted in matching color.
- WEIGHT: 567 grams (20 oz.)

Downloaded by  
RadioAmateur.EU

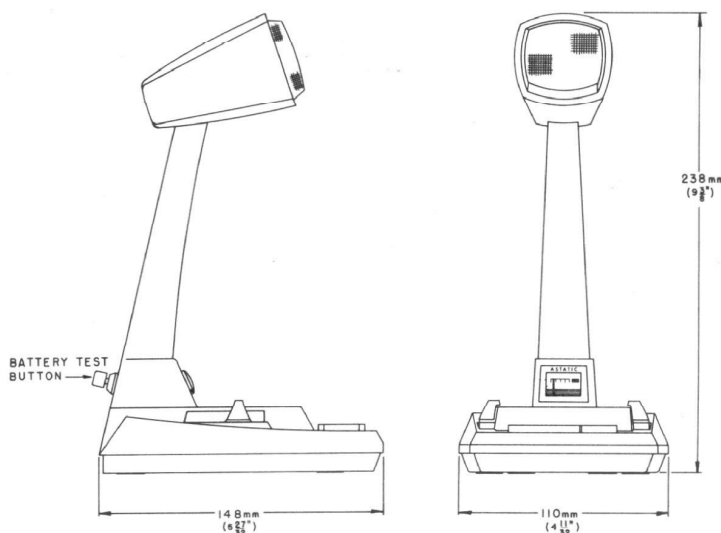


ASTATIC CORP., Conneaut, Ohio 44030 (216)593-1111, Telex 980712

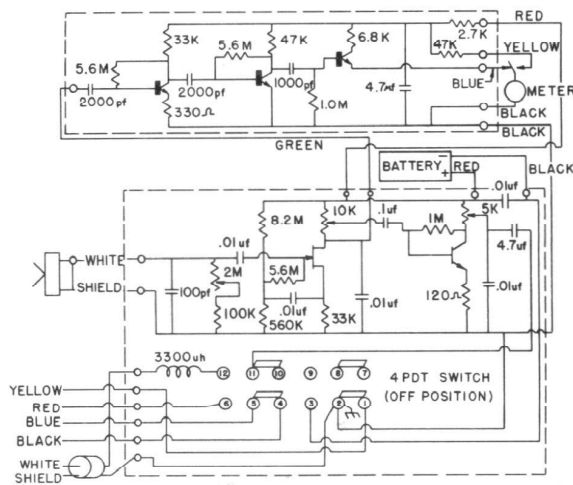
EXPORT: International Division, Conneaut, Ohio 44030 USA, Telex 980712  
IN CANADA: Canadian Astatic Ltd., 1820 Ellesmere Rd., Scarborough, Ontario M1H 2V5

● CARTRIDGES ● NEEDLES ● PICKUPS ● MICROPHONES ● ACCESSORIES





OUTLINE DWG. - FIG. 1



1104CM SCHEMATIC

### TYPICAL RESPONSE - FREQUENCY CHARACTERISTICS

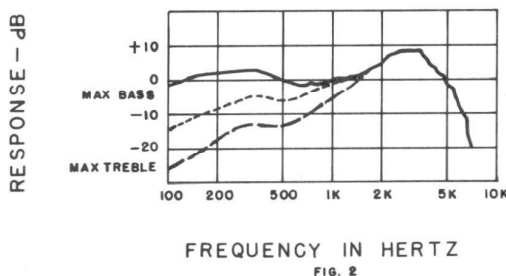


FIG. 2

### VOLUME AND TONE ADJUSTMENTS

The master gain control has been pre-adjusted to approximately -40 dB (0 dB = 1 volt/microbar) with external volume and tone controls set at maximum volume and bass. The majority of applications should not require further adjustment of the master gain control for good modulation.

If additional gain is required or over-modulation is experienced, readjust the master gain control as follows. At a speaking distance of 457mm (18"), with the external slide volume and tone controls set in the center position, adjust the master gain control (thru the open battery replacement door) for 100% modulation. The external slide volume control may now be adjusted for proper modulation at varying distances and with different operators. The tone control should be adjusted for the most intelligible sound. Slide the tone control toward 0 for an increase in bass response and toward 10 for an increase in treble response.

The meter indicates the incoming audio level to the microphone, not the output level, and therefore, is not affected by the volume control.

### BATTERY CHECK

While holding the push-to-talk bar down, press the small push-button on the back of the microphone neck, behind the meter, and read the battery output voltage on the meter. If the pointer deflects into the red area, the battery is good. This checks the battery under actual working conditions.

### BATTERY REPLACEMENT

To replace, open the battery replacement door by inserting a dime (or similar device) in the slot provided in the base. Carefully, remove battery and adaptor a short distance from base, 25.4mm to 50.8mm (1" to 2"). While holding the adaptor in your left hand, grab the bottom in your right hand and pivot upward. Snap new battery into the adaptor. Place slot, at rear of adaptor, into the edge provided on base and snap into place.