

## parts list

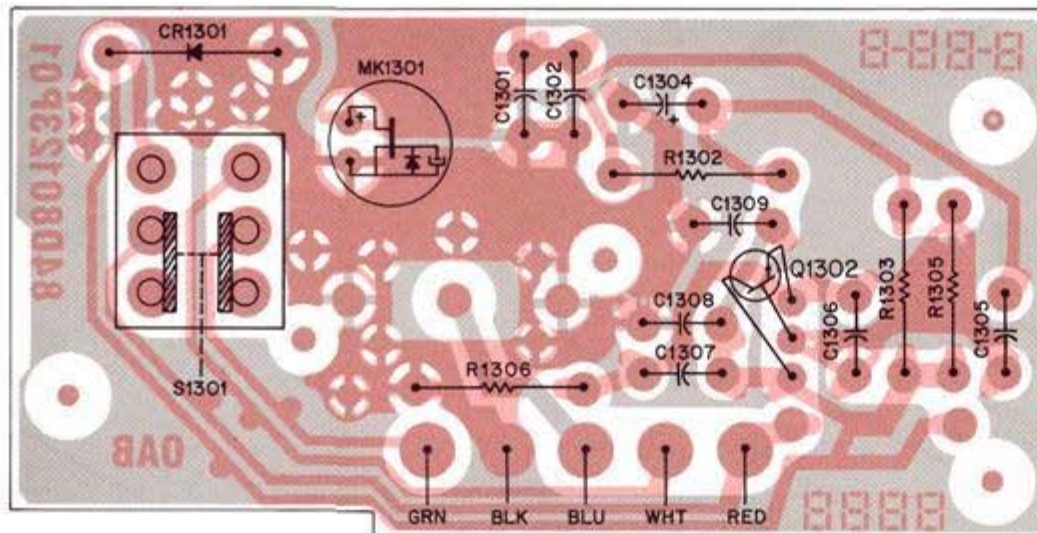
HLN5459A Microphone Circuit Board

MXW-6286-O

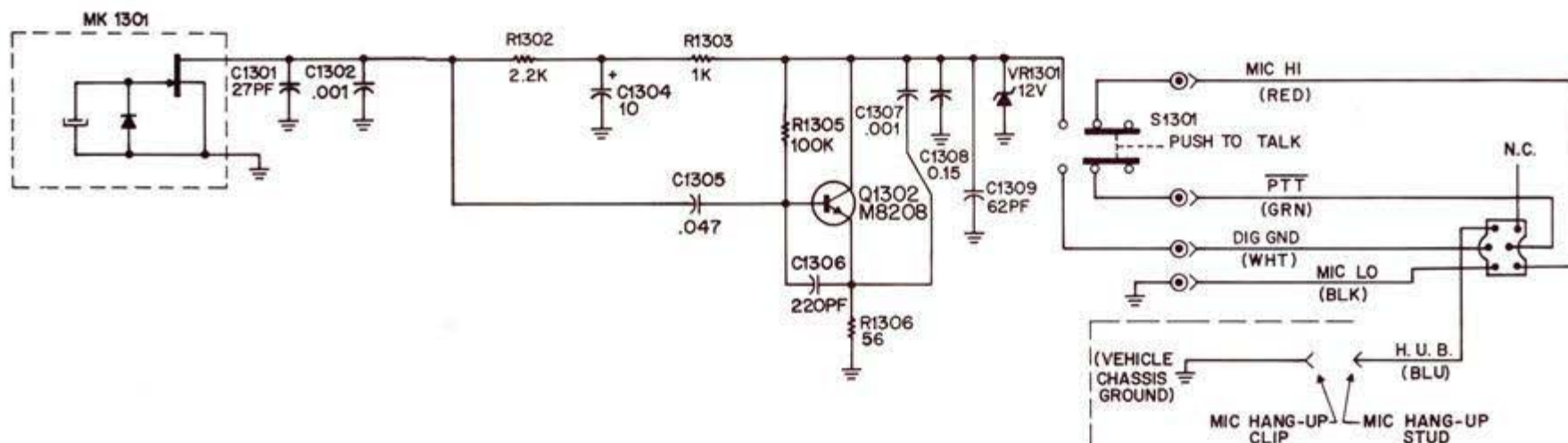
REFERENCE SYMBOL	MOTOROLA PART NO.	DESCRIPTION
<b>capacitor, fixed uF, ±5%, 50V (unless otherwise stated)</b>		
C1301	21-11038H35	24 pF
C1302	21-11039B13	.001 ±10%
C1304	23-11019A20	10 ±20% 25V, electrolytic
C1305	08-11051A11	.047
C1306	21-11038P50	220 pF
C1307	21-11039B13	.001 ±10%
C1308	08-11051A14	.15 63V
C1309	21-11014H44	62pF, 100V
<b>diode (see note)</b>		
CR1301	48-11034A36	12V zener ±5% 400mW
<b>microphone</b>		
MK1301	50-80258E04	electret cartridge
<b>transistor (see note)</b>		
Q1302	48-11043C05	NPN
<b>resistor, fixed ohm, ±5%, 1/4 watt (unless otherwise stated)</b>		
R1302	06-11009A57	2.2k
R1303	06-11009A49	1k
R1305	06-11009A97	100k
R1306	06-11009A19	56
<b>switch</b>		
S1301	40-80065E02	momentary switch
<b>mechanical part</b>		
	14-80652E01	switch insulator

2/15/89

note: For best performance, order diodes, transistors, and integrated circuits by Motorola part number.



SOLDER SIDE ● GBW-6287-O  
 COMPONENT SIDE ● GBW-6288-O  
 OVERLAY — GBW-6289-O



MICROPHONE CONNECTOR J104 (DETAIL SHOWN FROM CONNECTOR FRONT VIEW)