

EC-2018 TURBO™

The EC-2018 TURBO™ is an audio enhancing, power microphone for radio transceivers. The EC-2018 TURBO™ has features unlike any other power microphone. Features like...

- Dual echo controls on the outside of the microphone!
- External controls on the back case for one-handed adjustments while you transmit!
- The highest quality, soft shell, neoprene 6 conductor microphone cord.
- Access holes in the back case for output and talk back controls.
- Separate battery cover for quick and easy access.
- Metal (not plastic!) front grill.
- Custom echo I.C. for incredible sound effects, like ALIEN VOICE™, reverberation, REFLEX ECHO™, and WHAMMY SOUND EFFECTS™ all in one microphone!

Installation Instructions

Before using your EC-2018 TURBO™ for the first time a new 9 volt battery must be installed. For best results make sure that the battery is new and at full power.

- Locate the battery cover on the back side of the microphone case (see illustration).
- Gently slide the battery cover down towards the microphone cord to open.
- Carefully pull out the 9 volt battery snap and connect the new battery.
- Set the connected battery into the cavity and slide the battery cover back into place.
- To check that the battery is new and installed properly, press the PTT lever on the side of the microphone and verify that the red LED on the front of the EC-2018 TURBOTM illuminates.

Connect the EC-2018 TURBO™ to the transceiver.

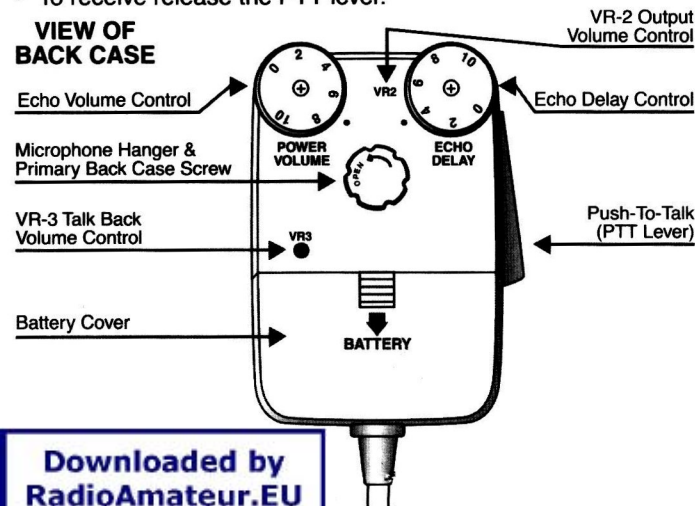
- Insert the EC-2018 TURBO's™ microphone plug into your transceiver's microphone jack. If the EC-2018 TURBO's™ plug is a different configuration than the transceiver's jack the microphone can be rewired.
- Make sure that the microphone plug is firmly pushed into the transceiver's jack. Then screw the plug's threaded ring onto the microphone jack.

Operation Instructions

After the EC-2018 TURBO™ is installed properly it is ready for use.

- To transmit press in and hold the Push-To-Talk (PTT) lever. While the transceiver is in transmit mode speak into the front metal grill of the EC-2018 TURBO™. If feedback from the microphone is experienced adjust both the microphone gain control on the transceiver and VR-2 on the EC-2018 TURBO™.
- To receive release the PTT lever.

VIEW OF BACK CASE



Adjust the power microphone controls on the EC-2018 TURBO™.

- Locate the output volume control (VR-2) on the back side of the microphone (see illustration).
- With a small screwdriver adjust VR-2 for optimum modulation. Turn clockwise to increase the output level and counter clockwise to decrease.

Adjust the echo controls on the EC-2018 TURBO™.

- Locate the echo volume control on the back side of the microphone (see illustration). The echo volume is the number of repetitions.
- Spin the thumbwheel to increase or decrease the amount of echo volume. The "0" position is no echo effect at all and the "10" position is the maximum amount of echo.
- Locate the echo delay control on the back side of the microphone (see illustration). The echo delay controls the length of each echo repetition.
- Spin the thumbwheel to increase or decrease the amount of echo delay. The "0" position is the least amount of delay (Alien Voice™) and the "10" position is the greatest amount of echo delay (Reflex Echo™).
- The echo delay control also creates the WHAMMY™ SOUND EFFECTS. While transmitting, spin the echo delay control from "0" to "10", or "10" to "0", or anywhere in between for a different and unique sound.

Adjust the Talk Back controls on the EC-2018 TURBO™.

- Talk Back allows the operator to monitor his or her own transmitted audio over the transceiver's speaker.
- Locate the talk back control (VR-3) on the back side of the microphone (see illustration). VR-3 controls the volume of the Talk Back. Turn VR-3 clockwise to increase the volume and counter-clockwise to decrease.
- Feedback may occur if VR-3 is turned up too high.
- Note : The Talk Back feature only works on those transceivers that switch the receive audio through the microphone circuit.

Wiring Information

The EC-2018 TURBO™, like all RF Limited microphones, comes prewired for any transceiver. However, the microphone can easily be rewired for a different transceiver when necessary.

The EC-2018 TURBO™ wiring code is as follows :

Wire Color	Wire Function
Black Wire	PTT Common Ground
Shield Wire	Ground
Yellow Wire (if available)	Ground
Red Wire	Microphone Audio Output
White Wire	PTT Transmit
Blue Wire	PTT Receive

To rewire the EC-2018 TURBO™ simply match the pin functions on the transceiver's microphone input jack to the wire functions listed above. If you do not know the wiring information for your transceiver, contact RF Limited and we will help you locate the required information.

Specifications

Sensitivity	: -25dB @ 1,000 Hz (at maximum output and minimum echo)
Impedance	: 1 Kohm
Frequency Response	: 150 - 3,000 Hz
Echo Frequency Resp.	: 200 - 3,000 Hz
Echo Time	: 600m seconds maximum
Battery	: 9 volt DC (006P or PP3)
Internal Noise	: 0.5mV or less
Microphone Element	: ECM type