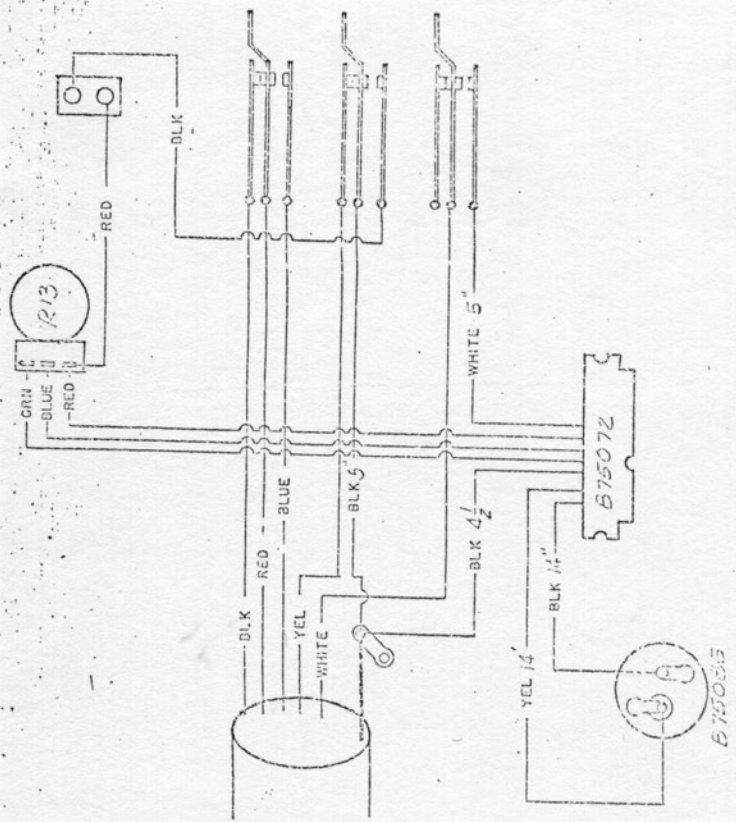


MAKE SURE THIS IS THE LATEST ISSUE NO. A15040

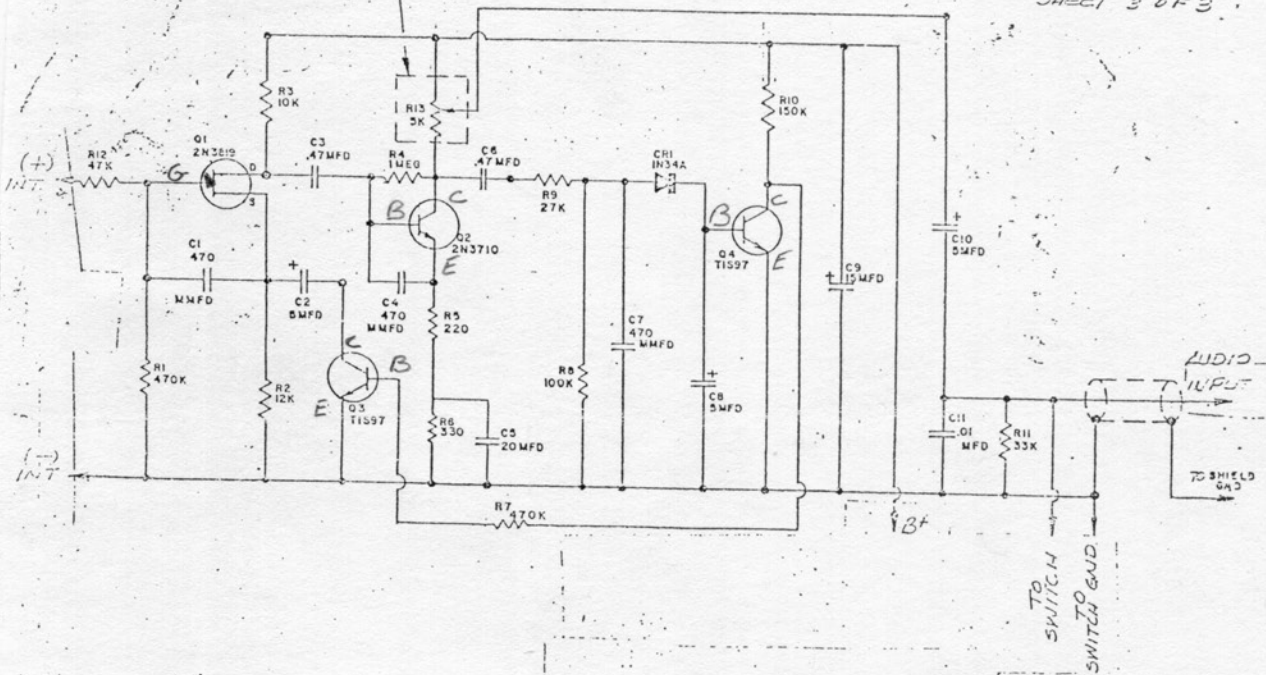


| | | | |
|----------------------------------|--|----------------------------|--|
| THE TURNER CO. ENGINEERING DEPT. | | CEDAR RAPIDS, IOWA, U.S.A. | |
| TITLE WIRING, #3B | | DRAWN BY | |
| DATE 2-25-78 | | CHECKED BY | |
| APPROVED BY | | DATE | |
| SCALE | | USED | |
| CHANGES | | | |

| | | |
|----|---------|--|
| 1 | 0-5-78 | |
| 2 | 1-10-78 | |
| 3 | 1-10-78 | |
| 4 | 1-10-78 | |
| 5 | 1-10-78 | |
| 6 | 1-10-78 | |
| 7 | 1-10-78 | |
| 8 | 1-10-78 | |
| 9 | 1-10-78 | |
| 10 | 1-10-78 | |

R13 NOT MOUNTED ON CIRCUIT BOARD

DRWG. NO. B75072 SHEET 3 OF 3



The Turner Co., ENGINEERING DEPT. CEDAR RAPIDS, IOWA, U.S.A.

TOLERANCES: FRACTIONAL = 1/64, DECIMAL = .005, ANGULAR = 2°

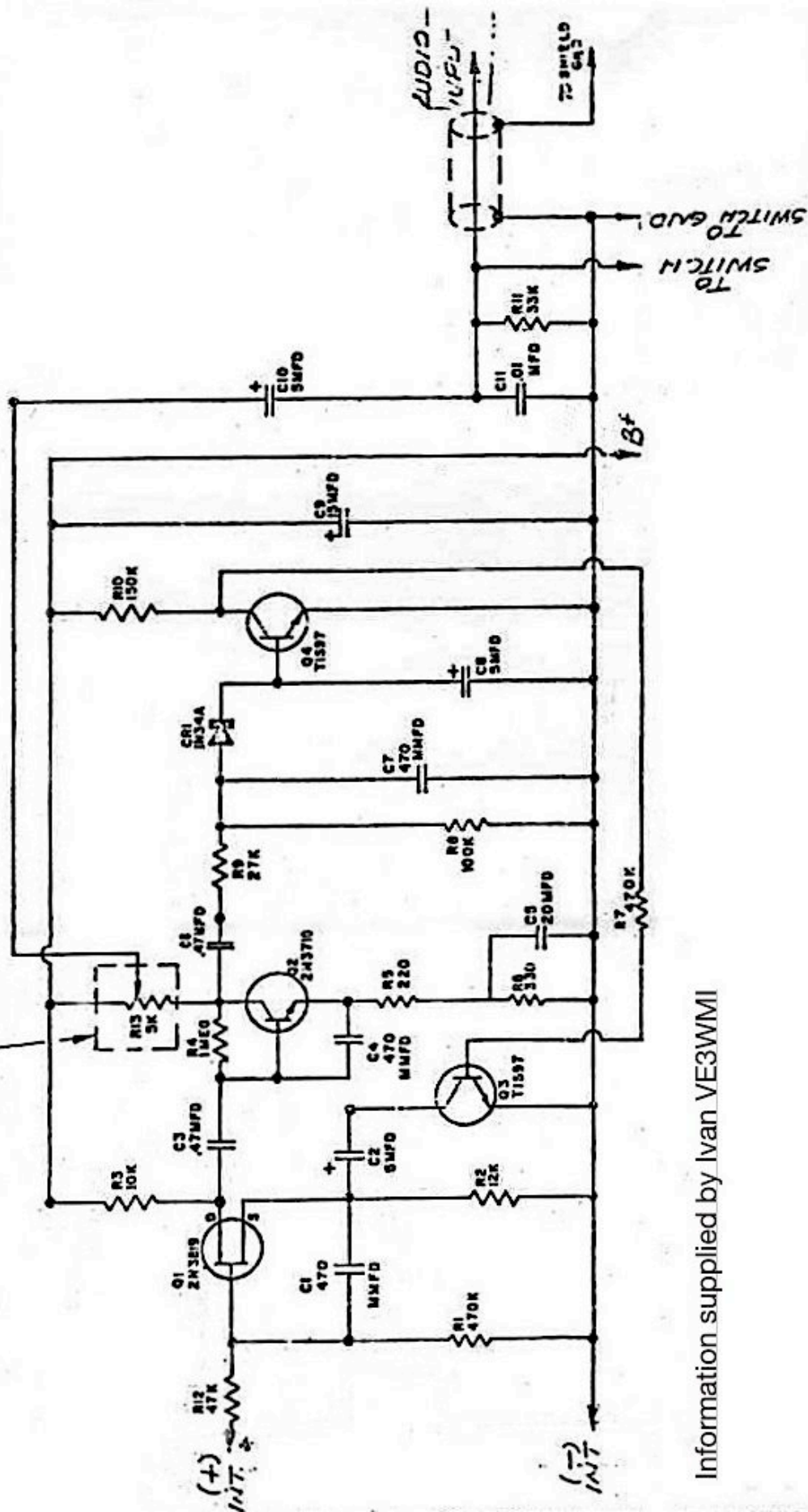
DATE 1/1/78

CHANGES

| | | |
|-----------|----------|---------|
| R | C166 | 5-22-78 |
| D | DC102416 | |
| P | DC100320 | |
| M | MCN00315 | |
| CHANGES | | |
| ISSUE | R | 5 |
| DRWG. NO. | | |

Turner +3 amplifier

R13 NOT MOUNTED ON CIRCUIT BOARD



Information supplied by Ivan VE3WMI