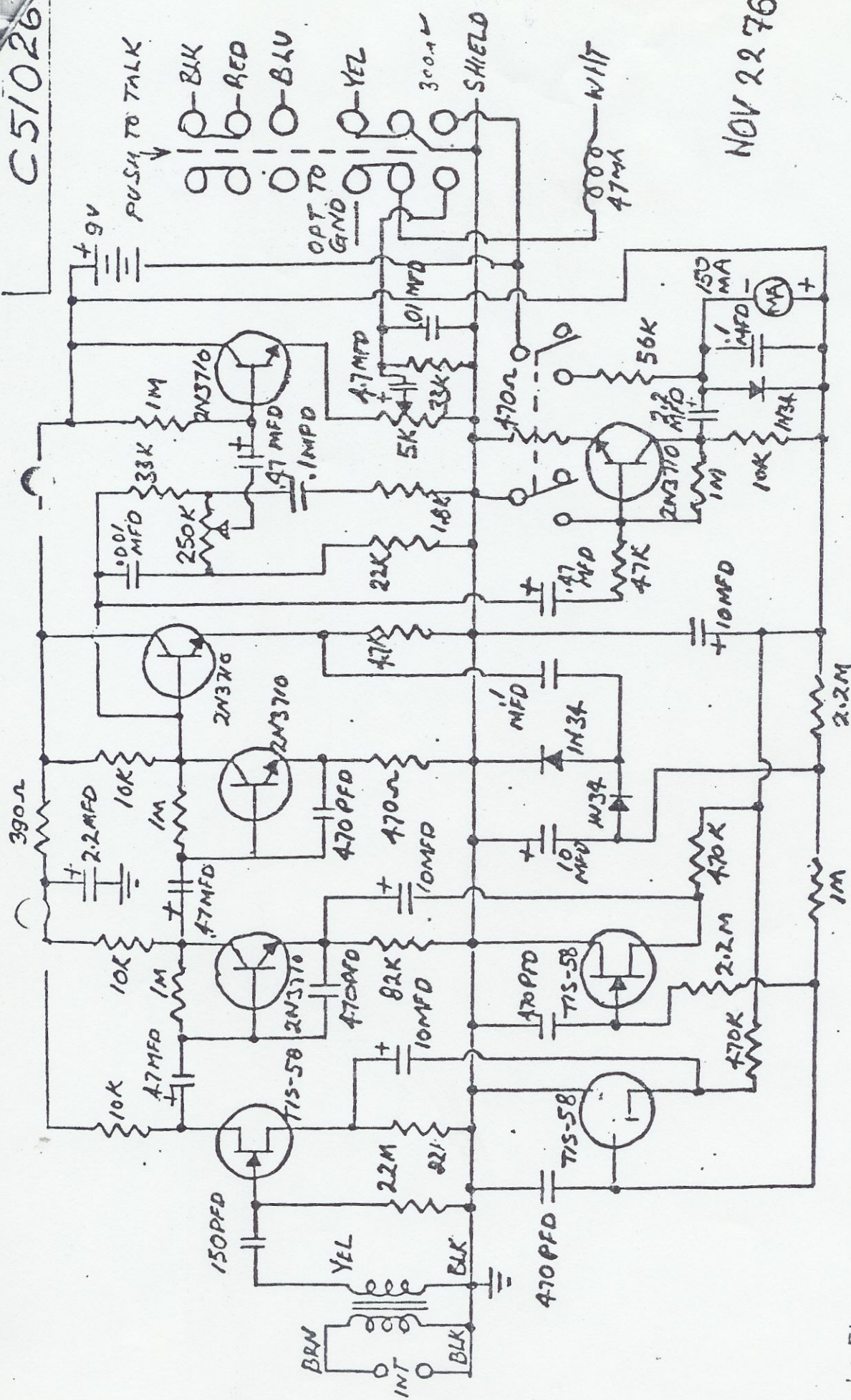


Turner Expander 500

C51026

NOV 22 76



E	
D	
C	
B	
A	CO196
CHANGES	
E	15/100V

The Turner Co., ENGINEERING DEPT: CEDAR RAPIDS, IOWA, U.S.A.
 SCHEMATIC EXPANDER 500
 TOLERANCES DRAWN:
 UNLESS OTHERWISE SPECIFIED DATE 10/1/76
 DESIGNED BY: J. W. CHERRY
 DRAWN BY: J. W. CHERRY

Albrecht Electronic GmbH
 Otto-Hahn-Straße 7 · D-2077 Tülsen
 Telefon: 04154/8372-0
 Telex: 2 189 405 agru d