

GENERAL:

The Expander 500 is a pre-amplified base station microphone featuring separate volume and tone controls. The microphone has a built-in meter for reading both audio input and battery condition. The Expander 500 has a 6 wire cable which makes it compatible with all transceivers.

Base Station Communications



SPECIFICATIONS for EX 500

Dynamic Amplified Microphone

The compression pre-amplifier prevents over modulation and the resulting distortion that can occur when mouth-to-mike distance or speaking level varies during transmission. The tone slide control adjusts bass-treble balance for maximum speech clarity. The EX 500 uses a readily available 9-volt battery for the pre-amplifier and meter functions. A press-to-test button shows battery condition on the multi-functional meter.

Construction is a high impact butadiene styrene. The EX 500 features an adjustable tilt head and press-to-talk switch. The 6 wire cable makes the unit compatible with both electronic and relay switching. The dynamic cartridge assures ruggedness and uniform performance under adverse environmental conditions.

Type: Dynamic, amplified

Pattern: Omni-directional

Impedance: Low

Output Level: -30 db (0 db = 1 volt per microbar)

Frequency Response: 200-4,000 Hz, tailored to the voice

Cable: Coil Cord 5 conductors, 1 shielded. Retracted length 1/2 meter (1 1/2 ft.), Extended length 2 meters (6 1/2 ft.).

Case: High impact butadiene styrene

Finish: Painted

Bottom section, black

Upper section, satin chrome

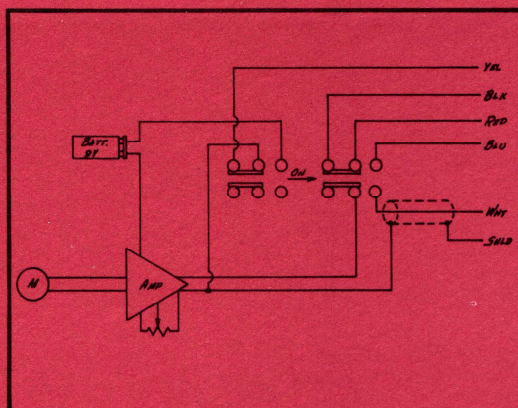
Head, black with satin chrome bezel

Dimensions: 136mm x 222mm x 241mm (5 3/8" x 8 3/4" x 9 1/2")

Weight: 800 grams (1 3/4 lbs.)

Battery: 9 volt (Eveready #216 or equivalent)

Switching: Electronic/Relay

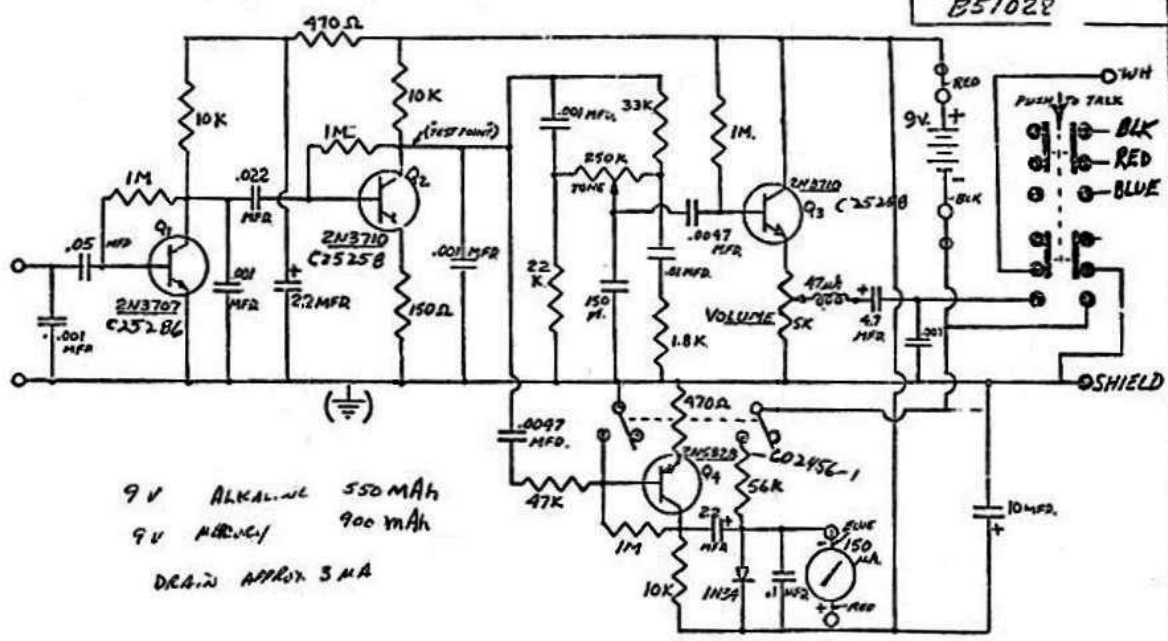


C91150

TURNER MICROPHONES

TURNER DIVISION OF TELEX COMMUNICATIONS, INC.
8601 N.E. Highway 6, Lincoln, Nebraska 68505
(402) 467-5321 telex: Hygain Lcn a 48-4324

DRWG. NO. B51028



9V ALKALINE 550 MAh
 9V MERCURY 900 MAh
 DRAWN APPROX 3 MA

E	
D	
C	
B	
A	ORIG. C-253 7-25-72
CHANGES	
SIZE	A
DRWG. NO.	B51028

The Turner Co., ENGINEERING DEPT. CEDAR RAPIDS, IOWA, U.S.A.

TITLE SCHEMATIC

EXPANDER 500, SIMPLIFIED CIRCUIT

SCALE FIRST USED ON MODEL

TOLERANCES: DRAWN FOR
 FRACTIONAL ± 10%
 DECIMAL ± 10%
 ANGULAR ± 1°
 UNLESS OTHERWISE SPECIFIED

DATE 7-25-72

DATE

