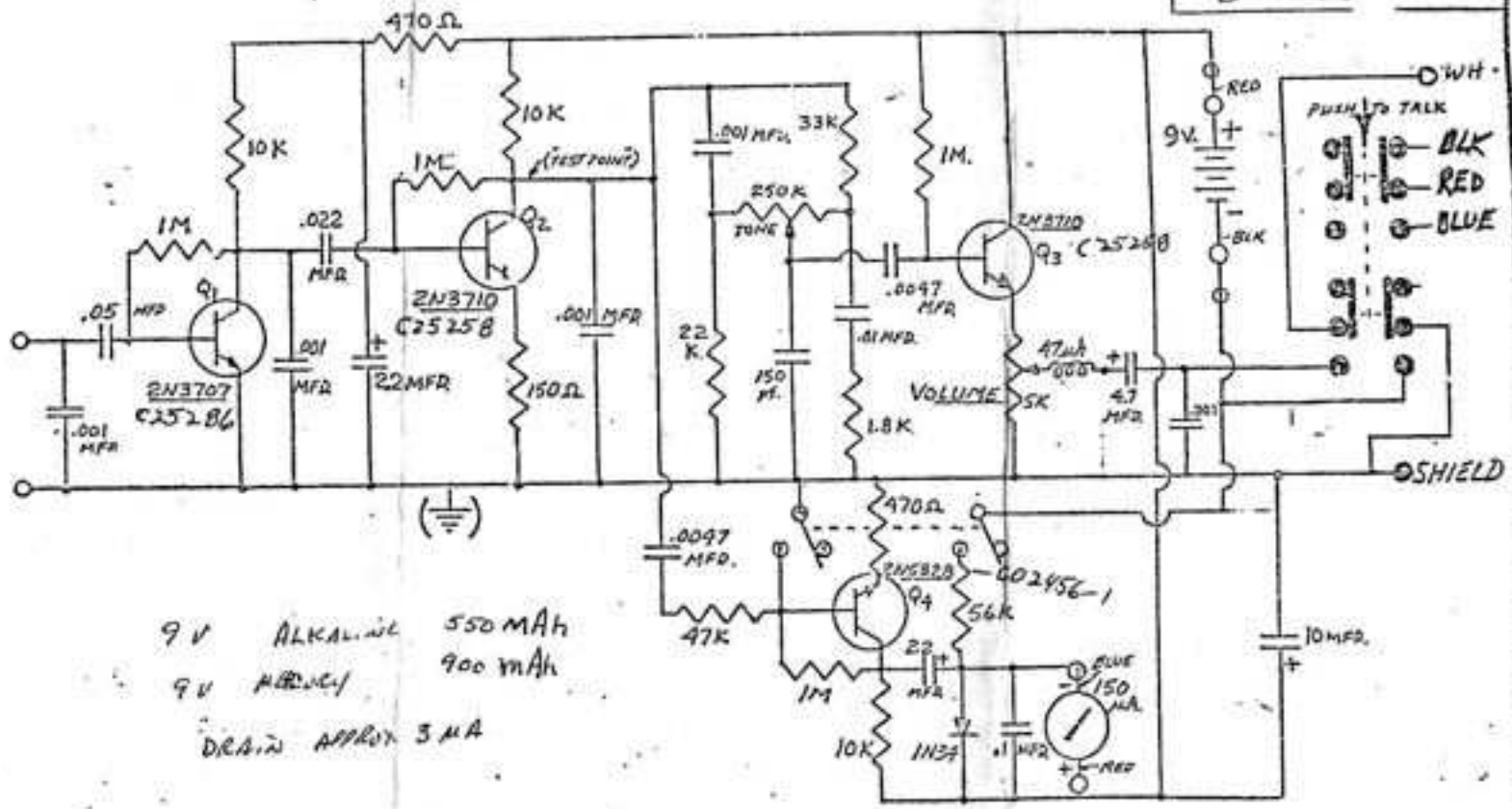


DRWG. NO. B51022



9V ALKALINE 550 MAH  
 9V MERCURY 900 MAH  
 DRAIN APPROX 3 MA

The Turner Co., ENGINEERING DEPT. CEDAR RAPIDS, IOWA, U.S.A.

TITLE SCHEMATIC

EXPANDER 500, SIMPLIFIED CIRCUIT

SCALE FIRST USED ON MODEL

TOLERANCES: DRAWN FOR

FRACTIONAL = 1/100 DATE 7-5-78

DECIMAL = .001

ANGULAR = 1/16

UNLESS OTHERWISE SPECIFIED

CHKO. R & DATE

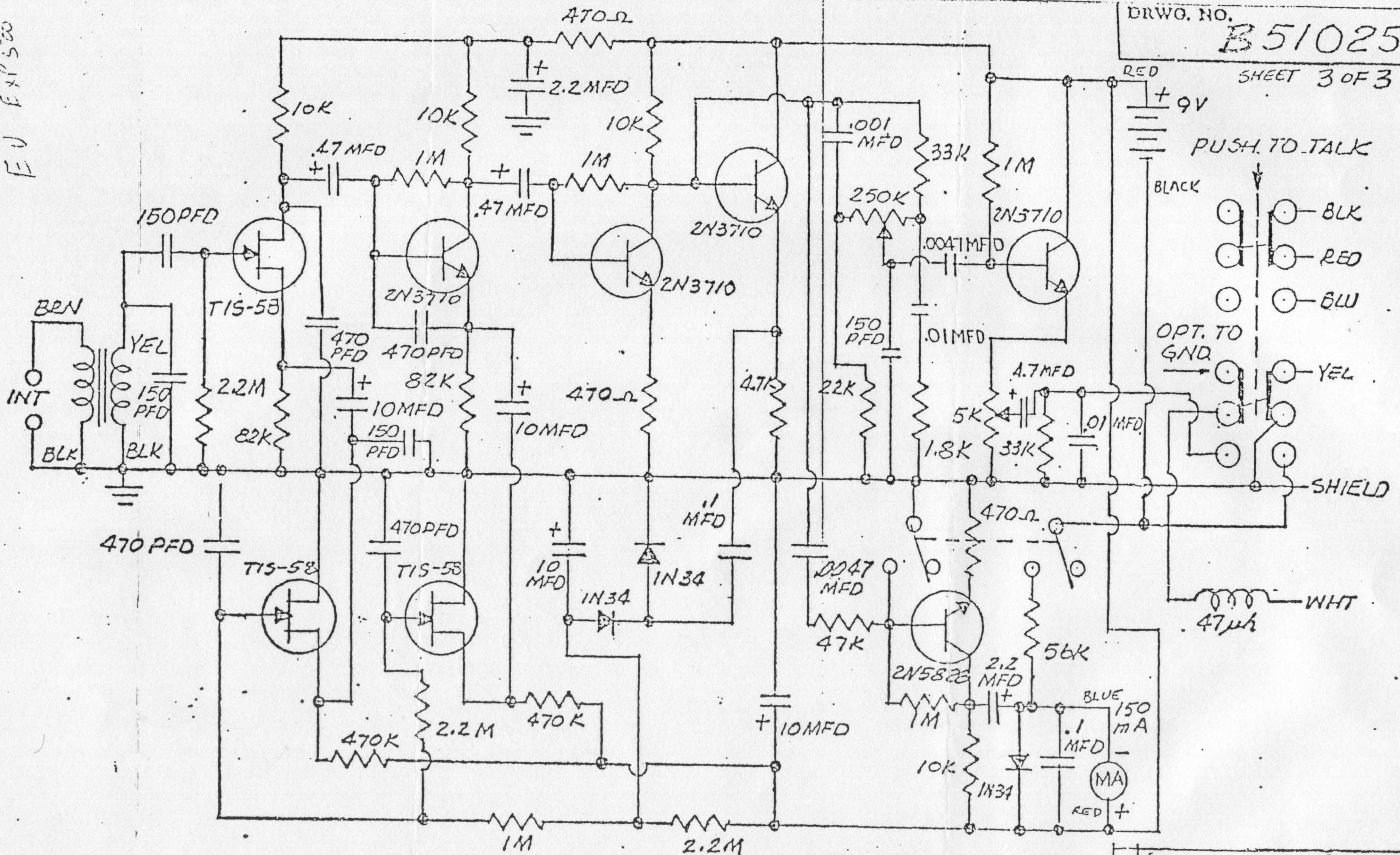
E
D
C
B
A
ORIG. C-253 7-20-75
CHANGES
ISSUE A
DRWG. NO. B51022





EU EXP 500

DRWG. NO. B51025  
SHEET 3 OF 3



The Turner Co., ENGINEERING DEPT. CEDAR RAPIDS, IOWA, U.S.A.

TITLE SCHEMATIC - *Exp 500*

TOLERANCES | DRAWN DV

FRACTIONAL ± 1-64. DATE 10-18-79

L C 769	1-18-79
CHAN 5	
ISSUE	