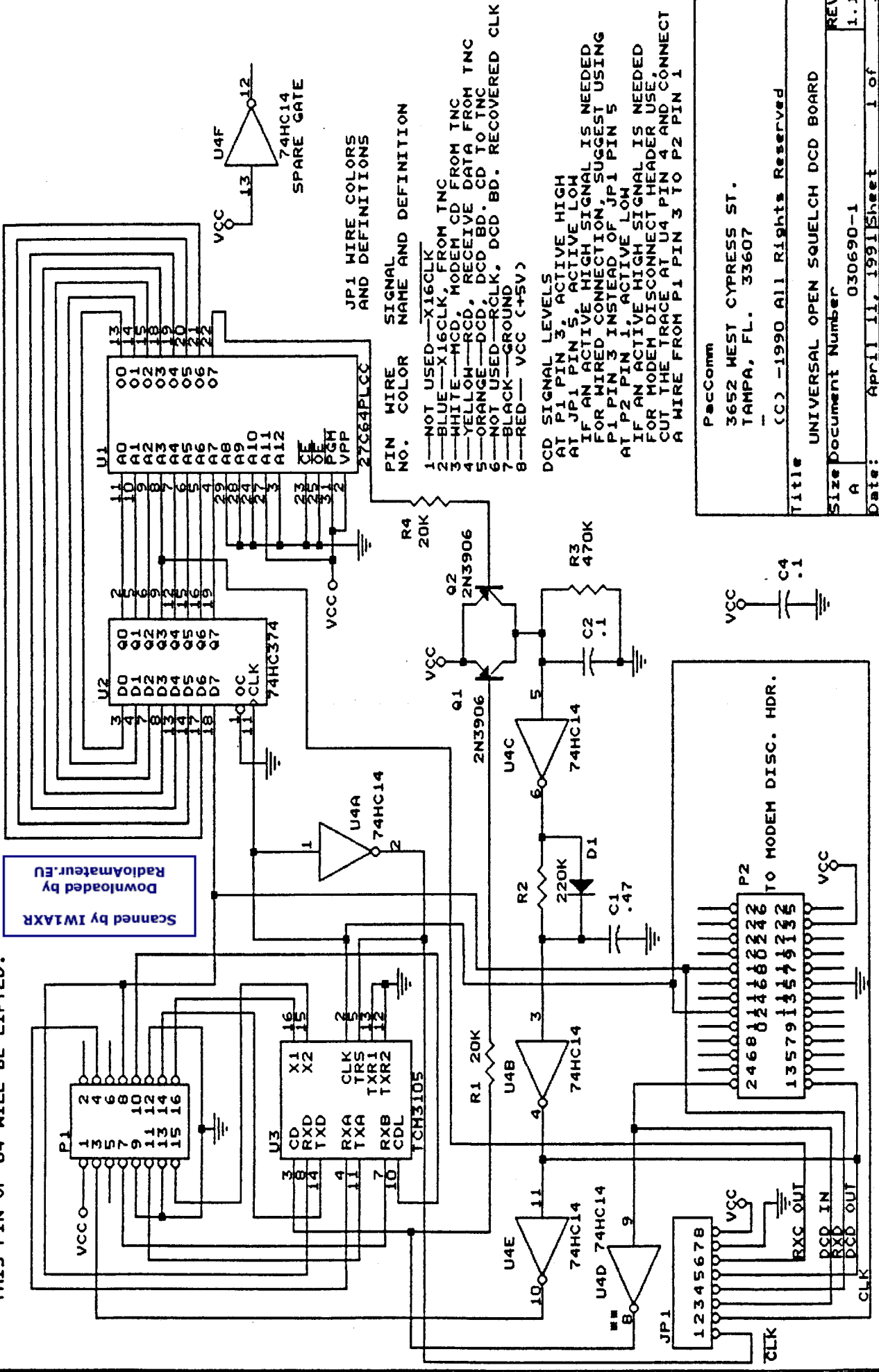


DCD * Tiny e DFM TNC

IF BOARD IS BUILT FOR 3105 IC USE, THIS PIN OF U4 WILL BE LIFTED.

Scanned by IWTXR
RadioAmateur.EU

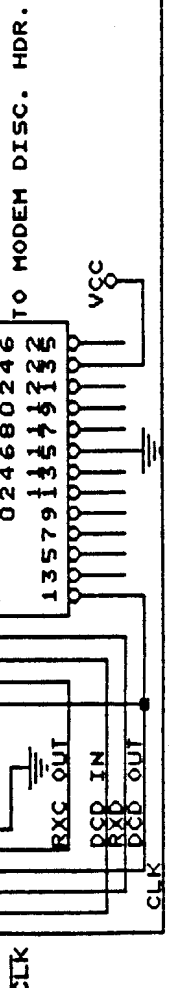


J1 WIRE COLORS AND DEFINITIONS

PIN NO.	COLOR	SIGNAL NAME AND DEFINITION
1	NOT USED	X16CLK
2	BLUE	X16CLK FROM TNC
3	WHITE	MCD, MODEM CD FROM TNC
4	YELLOW	MCD, RECEIVE DATA FROM TNC
5	ORANGE	DCD, DCD BD. CD TO TNC
6	NOT USED	RCLK, DCD BD. RECOVERED CLK
7	BLACK	GROUND
8	RED	VCC (+5V)

DCD SIGNAL LEVELS
 AT P1 PIN 3, ACTIVE HIGH
 AT P1 PIN 5, ACTIVE LOW
 IF AN ACTIVE HIGH SIGNAL IS NEEDED FOR WIRE CONNECTION, SUGGEST USING P1 PIN 3 INSTEAD OF P1 PIN 5
 AT P2 PIN 1, ACTIVE LOW
 IF AN ACTIVE HIGH SIGNAL IS NEEDED FOR MODEM DISCONNECT HEADER USE, CUT THE TRACE AT U4 PIN 4 AND CONNECT A WIRE FROM P1 PIN 3 TO P2 PIN 1

PacComm	
3652 WEST CYPRESS ST. TAMPA, FL. 33607	
Title UNIVERSAL OPEN SQUELCH DCD BOARD	
Size A	Document Number 030690-1
Date: April 11, 1991	Sheet 1 of 1



5) Remove the backing from the exposed side of the tape and attach the DCD board to a convenient location.

6) Reinstall the packet controller board in the case.

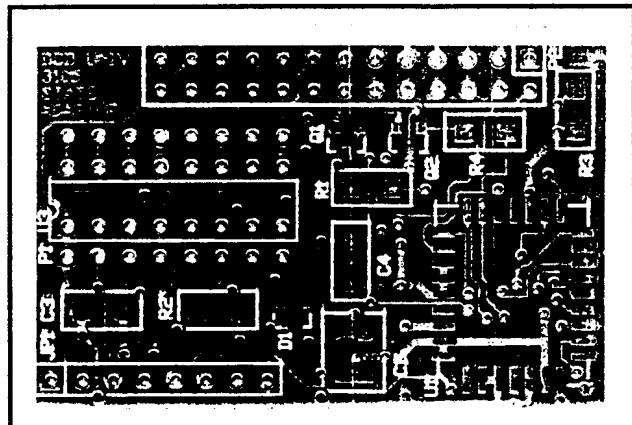
The connections to the DCD-UNIV Board are as follows:

Required Signal	Wire Color
Vcc (+5v)	Red
Ground	Black
Clock, 16 x baud rate	Blue
RXD: Data output of analog modem	Yellow
MCD: Carrier detect from analog modem	White
DCD: Carrier detect into HDLC	Orange

Enlarged layout of circuit board of all models of the DCD Adapter.

Header socket attaches here
for the DCD-Header model.

Pins attach here on the bottom of
the board and the TCM-3105
socket installs on the top of the
board for the DCD-3105 model.



Wires attach here at JP1
for Universal Model.