



This Digital Interface Handbook sells for: \$ 29.95, it is FREE to you as a complimentary gift from; www.BUXCOMM.com

The PSK and Digital Interface HANDBOOK

of

Sound Card to Transceiver Interfacing Circuits, Techniques, and Setup

by BucK4ABT,

Glynn Rogers Sr. K4ABT

Assembly and setup documentation for the BUXCOMM ISO-Kits, see Pages 3 & 4

"For use with digital modes; PSK31, MT63, WSJT, SSTV, Hellschreiber, PACKET, CW and hundreds more."

"with support and setup documentation for the use and application of WINPSK, Addendum "D" by author Moe Wheatley AE4JY

RASCAL "Radio And Sound Card Adapter Link" Setup & Instructions are Addendum E, at end of this book.

Interfaces shown in this book are available at: www.BUXCOMM.com

www.BUXCOMM.com or www.HamRadioExpress.com



BUXCOMM
 115 Luenburg Drive-Evington, VA 24550
 VISA MasterCard DISCOVER PayPal

NO MINIMUM ORDERS
SAME DAY SHIPPING
EXCEPT SUNDAY AND HOLIDAYS.
WE SHIP WINDOM, G5RV, AND ALL
WIRE-TYPE ANTENNAS WORLD WIDE.
Tech Support: support@buxcomm.com

MONDAY THROUGH FRIDAY
9 am to 5 pm *Order*
SATURDAY *Toll*
9 am to 3 pm *Free*
EASTERN TIME
Orders 1 800 726 2919
Only: 1 866 300 1969



For the best antenna info in HAM Radio, Visit: <http://www.HamRadioExpress.com/WINDOM.htm>

Reproduction or use, without express permission, of this document, editorial and/or pictorial content, in any manner, is prohibited. While every precaution has been taken in the preparation of this handbook, the author and publisher assume no responsibility for errors or omissions. Neither is any liability assumed for damages resulting from the use of the information contained herein.

Copyright© 1999-2012
Glynn E. "Buck" Rogers Sr. K4ABT
All rights reserved

Copyright and Trademarks:

All material in this Handbook is copyright (c) 1998-2009, with Revision 2009, by G. E. "Buck" Rogers K4ABT, and BUXCOMM. "**RASCAL and BUXCOMM**" are registered trademarks. of G. E. Rogers Sr, d/b/a, BUX CommCo. **ISO-kit** are © & ™ are interface parts kits for use by Ham Radio operator's who wish to apply their skills and knowledge by building their radio to PC interface as a "homebrew" project. Copies may be made of these materials, for the personal use of licensed radio amateurs. No part of this handbook may be reproduced without express written permission of G. E. "Buck" Rogers Sr., d/b/a BUX CommCo™. eMail: support@BUXCOMM.com

Proviso, Disclaimer

The designs represented in this manual have been tested in on the air amateur radio operation and are believed to be accurate. Buck Rogers K4ABT and BUX CommCo are not responsible for errors, mistakes or omissions made by others when building from these designs. No claims are made to the use or application of the principles in these designs or fitness for any particular purpose. Buck Rogers K4ABT and BUX CommCo are not liable for consequential damages resulting from the use or application the diagrams or designs contained in this manual.

This handbook is written around the application, design, and assembly of transceiver to PC sound card interfaces. Included in this handbook are sections that describe the theory, application, setup and operation of the interface.

I'll also cover the assembly procedures, testing and setup, along with various internet links for software drivers associated with the diagrams and schematics in this handbook. Although these interfaces will function with more than fifty different types or modes of operation associated with Amateur Radio, for simplicity, I will reference operation with PSK31, SSTV, MFSK, RTTY, PACKET and CW using the Creative Labs "sound-blaster 16™" as the signal processor.

All materials, components, and parts are available at: www.BUXCOMM.com/catalog, on the world wide web at: www.BucksCom.com/catalog. Ordering information is also found at: www.PacketRadio.com/catalog

I'll reference assembly procedures, system setup, testing, and web links to find software to operate in PSK31, WSJT, MFSK16, RTTY, SSTV, Hellschreiber, and CW modes using the sound card in your PC as the signal processor.

My designs are created for use by HAM Radio operators. This is a relatively new way for HAMs to enjoy the fun and pleasure found in the digital modes of HAM Radio. These designs are ideal for ham club construction projects and for individual hams who like to build their own equipment.



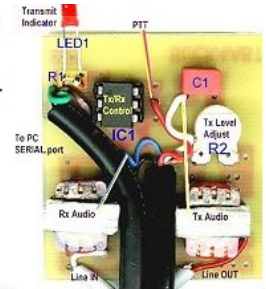
COMPLETED ISO Kit

BUXCOMM ISO Kit Assembly & Setup Instructions.

A 70 page Digital Handbook is available FREE.
Send an eMail to: support@BUXCOMM.com
In the SUBJECT line, enter text: BUX Digital Handbook.

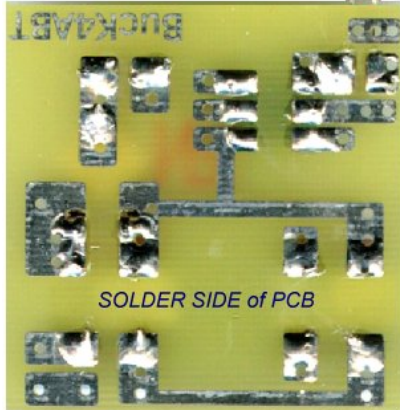
Radio to ISOkit Cables are available at:

http://www.buxcomm.com/catalog/index.php?main_page=index&cPath=3

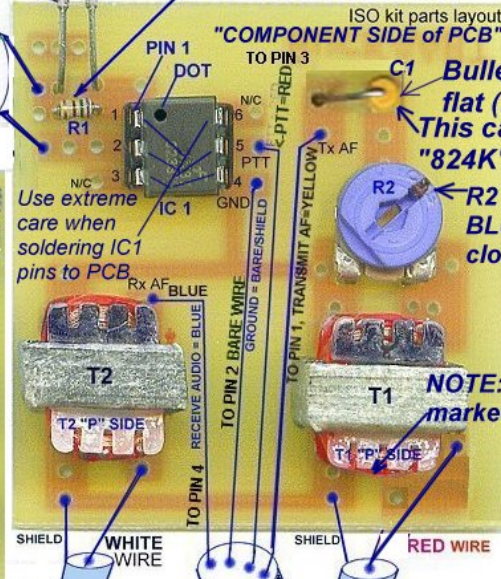


NOTE: When inserting IC1 into PCB, note position of pin 1, with dot nearest LED.

**R1= 750 ohms
Violet, Green, Brown.**



SOLDER SIDE of PCB



ISO kit parts layout.
"COMPONENT SIDE of PCB"

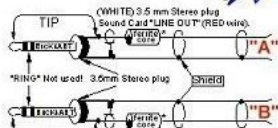
C1 Bullet (tapered) end UP, flat (blunt) end down. This cap may be marked as: "824K" with tapered end.

R2 Transmit level control is BLUE or WHITE. Set pot 3/4 clockwise (open).

NOTE: T1 & T2 has one side marked with "P" for primary side.

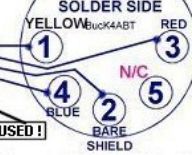
When attaching 5 pin DIN female jack, be sure to use pin numbers associated with signals so the correct pin numbers agree with the cable used to interface your radio and ISO kit

To SoundCard MIC IN GREEN Stereo Plug "B"



To Sound Card SPKR OUT WHITE Stereo Plug "A"

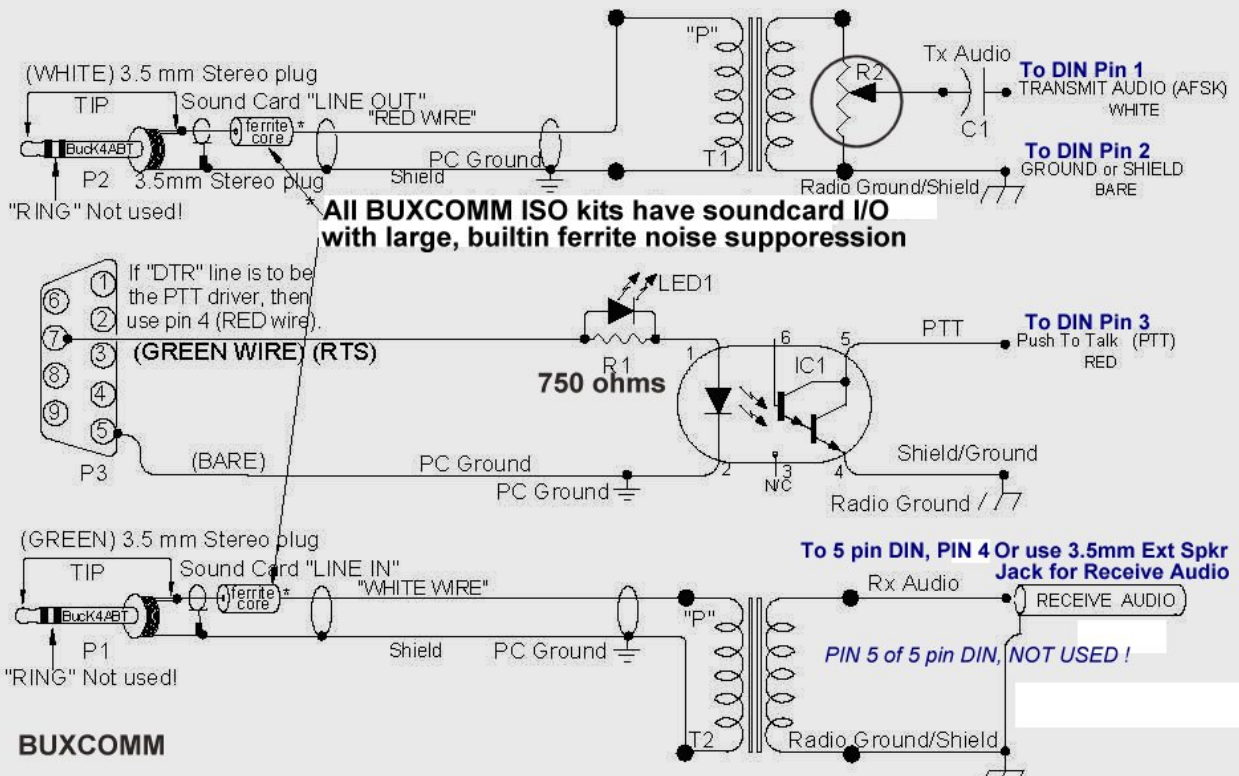
SOME WIRES WILL NOT BE USED!

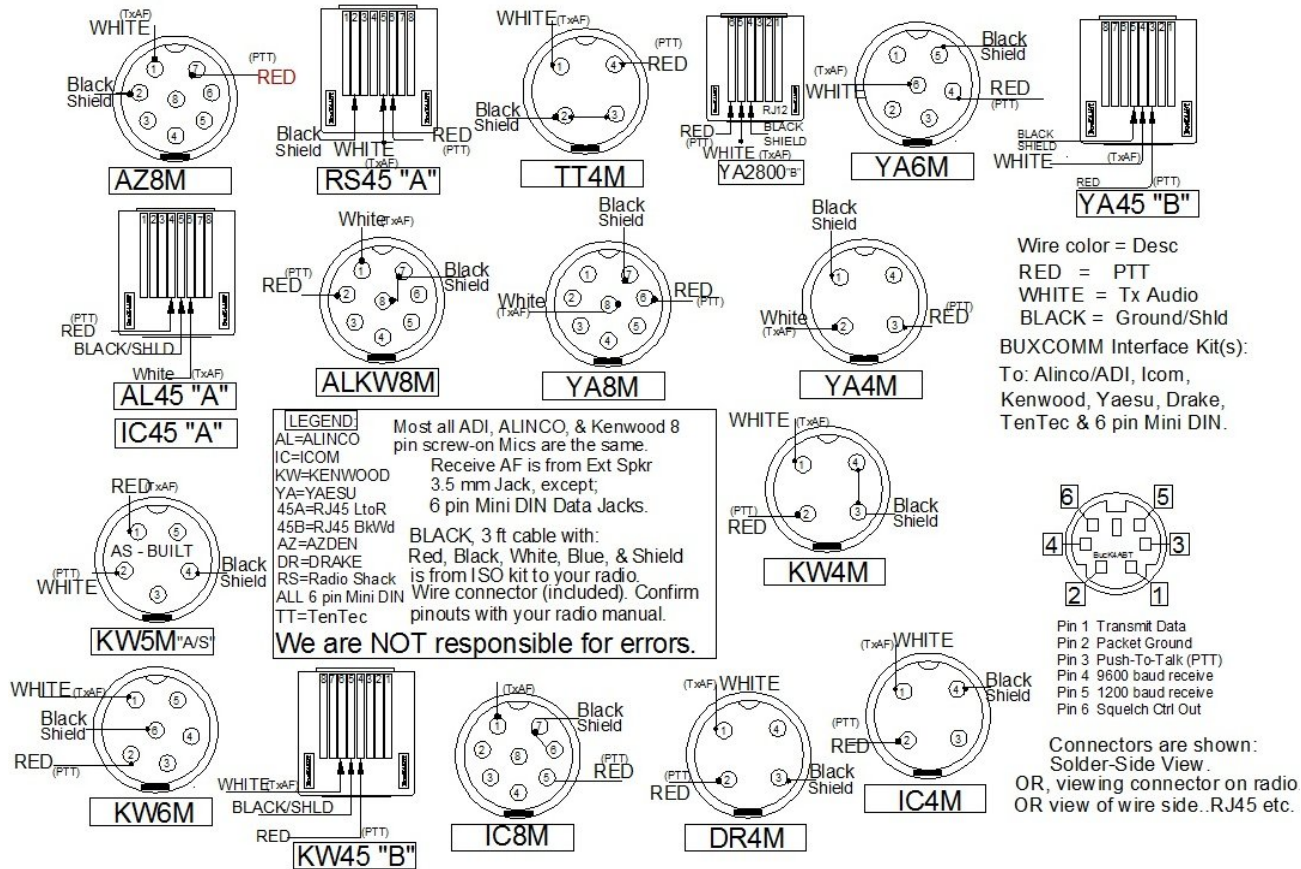


Radio to ISOkit Cables are available at:

http://www.buxcomm.com/catalog/index.php?main_page=index&cPath=3

Photo above ↑ indicates component layout. Below ↓ is schematic of original 1999 "ISO" RASCAL by BucK4ABT





TECH SETUP & SUPPORT, READ THIS PAGE VERY CAREFULLY, and at least two times:

The ISO-Kit™, will not work if the software and computer are not properly configured. Most problems encountered are usually due to PC and software setup. You should always read your software documentation. The WINPSK manual is also on the disk you received with your ISO-KIT™. Be absolutely sure that you have your software set up properly before connecting the ISO-KIT™. If the software and computer are not set up and configured properly, the ISO-KIT will not see the correct input, output and PTT control signal(s). It is of the utmost importance that you read the documentation that comes with your software! See the Users Manual (PDF) file on the WINPSK disk that was sent with your ISO-KIT. I did not write the software and therefore, I cannot support the software. NOTE, that some problems have been encountered using Windows ME and 2000 upgrades which sometime hold the comport RTS line "high." Most often, this dragon rears its head on the Dell from Hell PCes. This can result in the PTT being activated when the DE9 is connected to the PC serial comport. You may try using "FIXCOM.EXE" to resolve this problem.

SPEECH COMPRESSION: Be sure all speech compression is OFF. Observe the ALC indicator. Set the microphone gain to a level where there is little or no ALC indication on high peaks. Always insure that it is below the maximum ALC indication. Set the Windows volume control by double clicking the speaker icon (usually in the lower right desktop task bar), and the wave volume as needed, to drive your radio properly. You may also adjust the transmit level with the ISO-KIT internal Tx "transmit level" control. Or... use the Tx Level and Rx Level setup under the WINPSK "SETTINGS" icon. The final result of your sound card setting should be approximately mid-range or slightly higher, for the on-screen soundcard settings, and the ISO-KIT™, Tx audio level control. One important item to remember; All adjustments to the soundcard will interact with other settings of the sound card. This is the nature of the soundcard and sound card driver (software).

VOX OPERATION: If you prefer, or if you don't have a spare serial comport available on your PC, the ISO-KIT™, has transmit audio to the microphone input when connected, setup, and software is set to "send" or "Transmit." By having the soundcard and ISO-KIT transmit audio active, you may use of the VOX circuits in your radio to activate transmit (PTT) control instead of relying on the PC serial port to control PTT for transmit/receive. **If you have only a USB port, a USB to SERIAL converter is available as Cat # USB2SC at www.BUXcommCo.com, for \$17.95.** Set all the microphone settings as described above. Activate VOX in your transceiver, and set the level, delay and anti-trip controls with the tones from the ISO-KIT/soundcard, as you would when using the microphone (voice) input. In most cases, I've found that normal VOX settings perform with the ISO-KIT and PC as both levels are set similar. **WHEN OPERATING PSK31, SSTV, WSJT, AND OTHER SOUND CARD DIGITAL MODES, UAE EXTREME CAUTION: UNDER NO CIRCUMSTANCES SHOULD THE POWER OUTPUT OF YOUR TRANSCEIVER EXCEED ONE-HALF THE TRANSCEIVER'S MAXIMUM RATED OUTPUT! FINAL.....** Fine Tuning, or initial receive and transmit adjustments: **Let's make the initial adjustments to the ISO Kit™ interface. We can fine-tune the Volume Control for best operation with your PSK31 program, sound card, and radio. Here are the basic things to keep in mind:** * The "Wave" slider controls the transmit level, in combination with the "Volume Control" slider. *The Volume Control slider controls are found under the "settings" icon in the WinPSK program. Both the level going to your computer speakers, (receive or transmit) and the overall transmit level. * The MIC, LINE IN, or AUXILLARY controls the receive level. Notice that running the software Volume Control slider up and down will change the level of the receive audio going to your speakers, but it should not change the actual level of the recording (receive) stream. If you mute the input you're using to receive PSK31, the audio will no longer be delivered to the speakers; however, it should still be sent to your PSK31 program. **SOFTWARE SETUP FOR PSK31:** Using a program like "WinPSK," enter your call sign using the "Settings" / "General Setup" menu. Here you can enter your call and other program setup items such as the serial Comport number and PTT (RTS) settings. Your call sign should now appear at the top of the WinPSK screen instead of the text, "... Call Sign Not Set". You can do the soundcard level setup using the Tx and Rx levels shown under the "Settings" menu. Use the built in wave file player and recorder to get familiar with your sound card's mixer settings and capability. The mixer control is used to set both the receive audio level to the PSK program as well as set the "coarse" level setting to your transmitter. If you are using the MIC input, you should use the radio's mic gain for precise level adjustments. It is also a very good idea to disable all the various Windows sounds if you have only one sound card, especially if you are using VOX PTT control. FYI, a good frequency to begin operating PSK31 is at: 20 mtrs @ **14.070 MHz USB** 73 es I hope to QSO w/U on PSK31 soon. support@BUXCOMM.com

What is PSK31?

The software that implements PSK31 with a Windows PC and soundcard is a program written and developed by **Peter Martinez G3PLX**. Much of the credit for PSK31 goes to Peter for the in-depth work he has put into this fun-filled digital mode. Two of the most significant features that make this the ideal mode for digital communications is the extremely narrow band width, and the fact that it is highly immune to noise and QRM.

As the name implies, PSK (phase shift keying) modulates the phase of a carrier, and the number "31" references the actual bandwidth (31 Hz) occupied by the PSK31 signal. NOTICE that I referenced "hertz" (Hz) and NOT kilo-Hertz.

Phase modulation has more advantages than CW, since CW uses amplitude (On/Off) keying. In a noisy or distorted propagation environment, the amplitude of a signal will shift and vary much more than the phase of a signal.

The baud rate used by PSK31 is 31.25 baud. This is fast enough to handle most operators manual typing capabilities, a speed of about 50 words per minute. It is intended as a means of keyboard to keyboard communication between two or more operators using a very small amount of frequency spectrum. When compared to CW (Morse code), PSK31 is a much more resourceful operating mode.

By comparing the small bandwidth of PSK31 and measuring its gain against a CW filter of 500 Hz; $10 \cdot \log(500/31) \text{ dB} = 12 \text{ dB}$, promptly reveals that a CW transmitter must put out 15 to 18 times more power than a PSK31 transmitter to achieve the same signal to noise ratio at the PSK31 receiving station.

This is the rationale and reason the PSK31 operating mode has gained so much popularity in such a short time. The end result is that a HAM can operate with much reduced power and smaller antenna installations. For example; My 20 meter, 14.073 MHz, PSK31 "dipole" antenna, is located in the attic of my garage (about 14 feet above ground).

If you have a PC that is in the 100 MHz (486 or later) class with a 16 bit Sound Blaster (or "Creative Labs" compatible) sound card, and an HF SSB transceiver, you've hit "pay-dirt." From here on, everything is a picture of simplicity in itself.

My favorite passion when talking about PSK31 is to make note of how it conserves our precious spectrum. PSK31 is not a frequency hog; Its very narrow bandwidth of 31 Hz... yes, hertz, not kilohertz, allows us to have a dozen or more QSOs in a one kHz (1000 Hz) band pass. Add to all this, the fact that the narrow bandwidth of PSK31 reduces QRN and QRM. For the record, I've worked over 100 countries on PSK31, and I've yet to run more than 50 watts to make a DX contact.

As an author of many books and magazine columns for the past 40 years, my typing speed is fluent at 60 to 70 words per minute. My point is that I am hard pressed to keep up with the speed in which PSK31 handles my typing speed to the target station. It's not uncommon to read most stations at 30 to 50 wpm. PSK31 provides us with plenty of fun and so far, it's been a "rush" for me. In my 55 years as a HAM, this mode is the most tantalizing of them all. If you've ordered one of the RASCAL interfaces from BUX CommCo, likely you also received a disk with Moe Wheatly, AE4JY, WinPSK program on it. Install the program and connect only the sound card LINE IN, to your HF transceiver external speaker port and tune to 14073.00 LSB and watch the waterfall screen for vertical, yellow, scrolling of PSK31 signals.

Some of the frequencies where you may find PSK31 activity are:

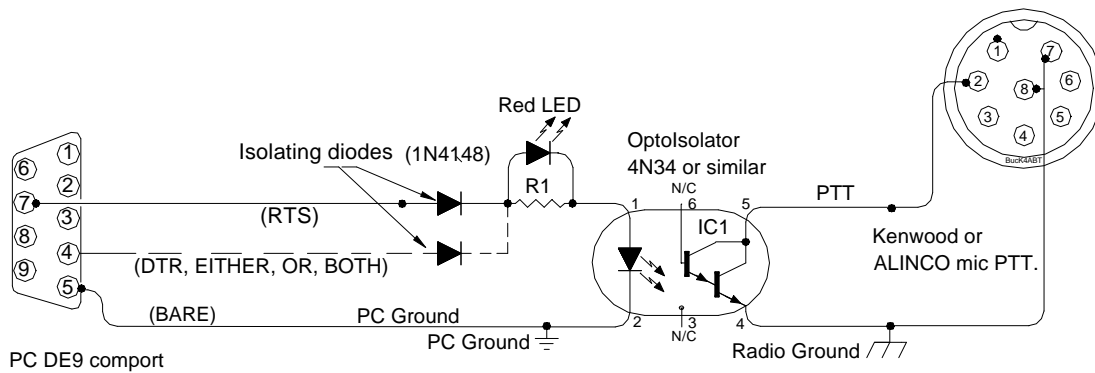
- 1838.150
- 3580.150
- 7035.150
- 10140.150
- 14070.150
- 18100.150
- 21080.150
- 24920.150
- 28120.150

PTT:

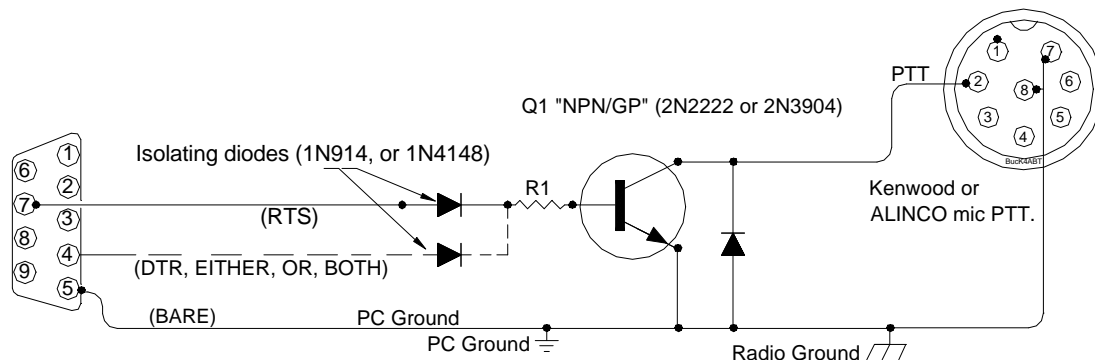
Later in this handbook, I'll include a glossary of terms relating to PSK31, and similar sound card driven, digital modes. To prepare you for present definitions, I will give a brief description of a few terms I will be using in the text that follows.

The red "**light-emitting-diode**" (LED) is a low current LED used to indicate that the **Push To Talk** (PTT) circuit has been activated. In the text that follows, when I use the term "PTT" it will reference "push-to-talk." When discussing the use of an automatic PTT function, I am referring to the execution of either RTS, or DTR by the software being used to activate the selected comport.

The purpose of the LED is to indicate the PTT is active. In most of the diagrams and schematics in this handbook, the option to select either RTS, or DTR will be shown or displayed. Although RTS is the PTT method of choice by most HAMs, in most applications, both RTS and DTR can be enabled in the interface through the use of isolating diode(s).



In the above drawing, I've illustrated how both RTS and DTR lines can be enabled using the 1N4148/1N914 isolating diodes. Driven by the software for PSK31, this circuit provides "automatic" PTT control of the transceiver between transmit and receive. Note that we use an opto-coupler, or optoisolator IC to provide isolation between the PC sound card ground and the transceiver (radio) ground. This type PTT circuit provides a greater degree of isolation from ground loops and possible RF feedback, than the transistor PTT switch in the next diagram.



The transistor automatic PTT circuit is an effective circuit, and performs the same changeover between transmit and receive as the opto-isolator circuit shown above, however, the isolating characteristics of this transistor circuit are not as good.

PSK31 has allowed us to return to a keyboard to keyboard form of communications, as a one on one QSO and away from the BBS, and non-emotional modes that we became accustomed to with Packet radio. Even round-table discussions can be enjoyed using PSK31.

AND, IT'S ALMOST FREE:

When the prospective PSK31 user discovers PSK31 for the first time, a look of both extreme pleasure, and amazed disbelief appears on their face. WOW, we've just discovered a mode that is so much fun, yet, it's almost FREE! After a few days of operating PSK31, the internet becomes obscured in the mist of all the fun we're having "doing" PSK31.

Nope, we don't have to purchase a special terminal controller, no special radio, no heavy outlay of cash, all we have to do is obtain a copy of the "FREE" PSK31 software from one of the many web sites, or from the disk I ship with the RASCAL PSK31 interface(s).

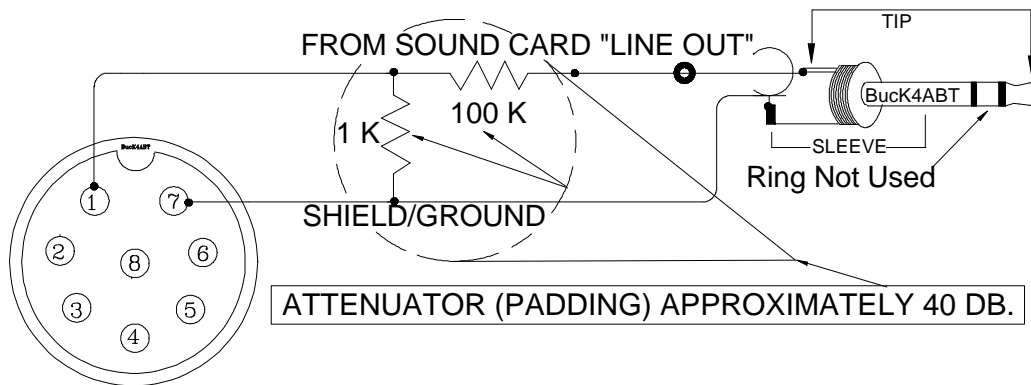
There are several search engines near the bottom of "www.PacketRadio.com", use one of these search engines and search on "PSK31 software" and you'll be surprised to see all the free software for this and many other software modes.

ATTENUATOR; YES OR NO:

Yes, we should consider the use of some level of attenuation either into the sound card or out of the sound card into the transceiver. I think the easiest way to approach this is to understand first that modern day transceivers are designed for inputs into the transceiver for SSB, FM, AFSK, RTTY, and in some cases, SSTV. We should maintain the levels similar to those we normally use when using a microphone.

Since many transceivers that we will be using are beyond ten (10) years since their purchase, some of us will be using the microphone port for our PSK31 input. If this is the case, and you plan to drive the microphone with your sound card (LINE OUT), then the level from the sound card should be comparable to the output level of your microphone.

But I've already said that haven't I? YES, I have, but I want to press the point. In this case, we will need to employ padding of about 40 DB. I refer to these attenuators as "pads." This term comes from a time when we referred to it as "padding the signal down." For the new HAM, padding down of a signal can reference either audio or radio frequencies (AF / RF).



To keep it simple, I've drawn an attenuator "pad" above. Again, it is a device that is simple to build since it employs only two resistors. Unless your sound card is a slam-dunk'n, speaker popper, you should be able to get by with quarter watt sized resistors.

While many sound blaster™ compatible sound cards have the capability to be set for high or low level outputs, they are almost always providing outputs which are much to high for the input level to the microphone port of our transceiver.

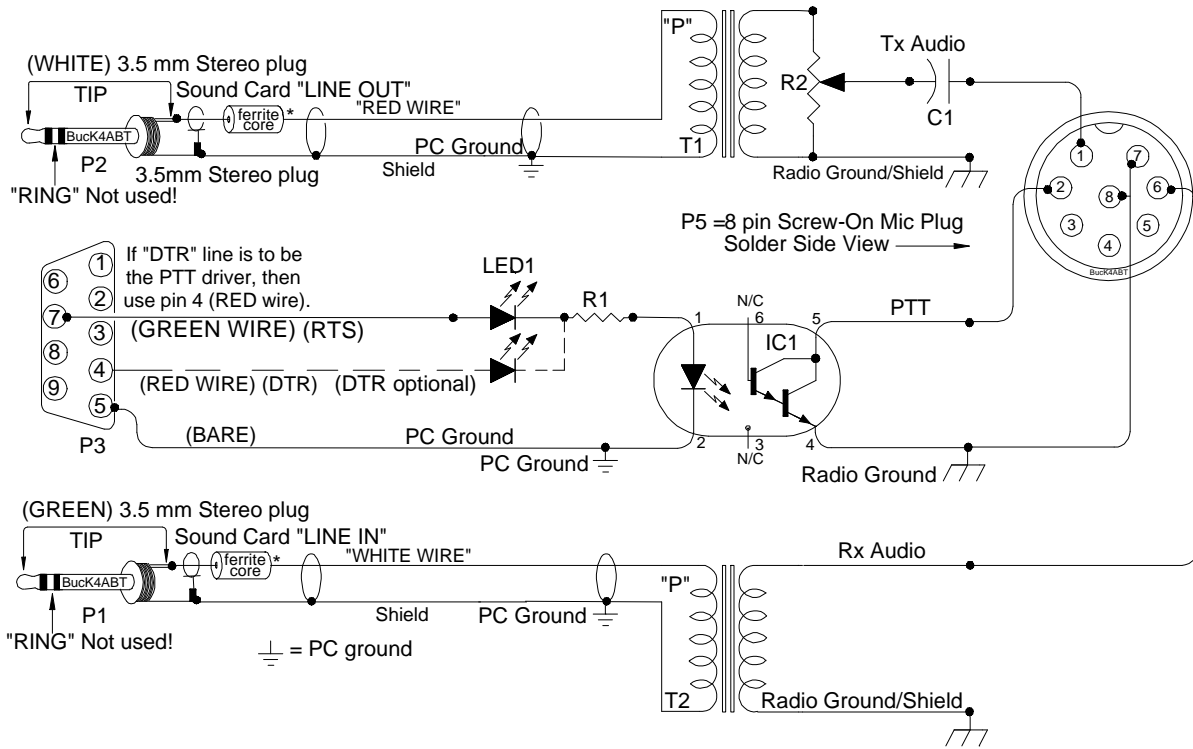
Now that we've discussed the opening topics of PSK31, let's look now to the actual building of the PSK31 interface. When we finish this section of this hand book, we'll go into the application of the software, and the simple set of setup procedures.

On the pages that follow, I have provided you with many of the more popular PC sound card to transceiver interface schematics. Following the diagrams section, I'll include an overview, and layout of the PC board that we use for the **RASCAL** (*Radio And Sound Card Audio Link*) interfaces. All the parts shown in the "overview & layout" section are available from BUX CommCo at: www.BUXcommco.com

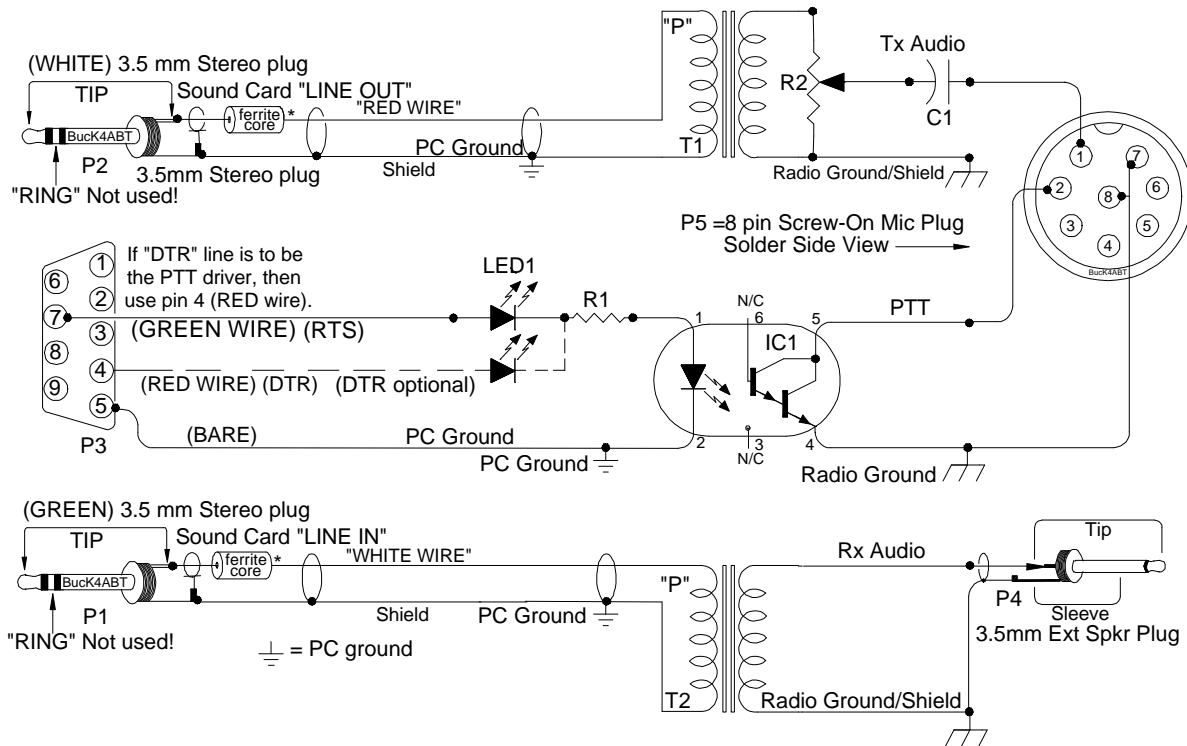
PSK31 & SSTV SCHEMATIC AND DIAGRAMS SECTION:

“Drawings and Illustrations are in alphabetical order by radio/transceiver name.”

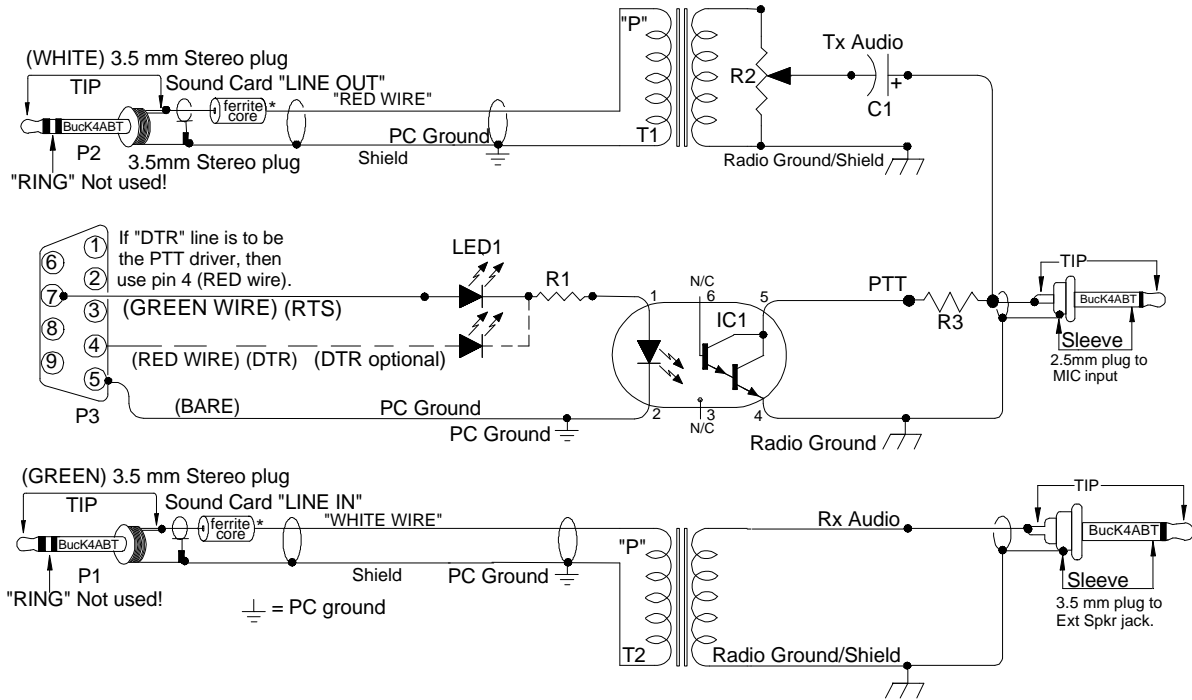
ALINCO



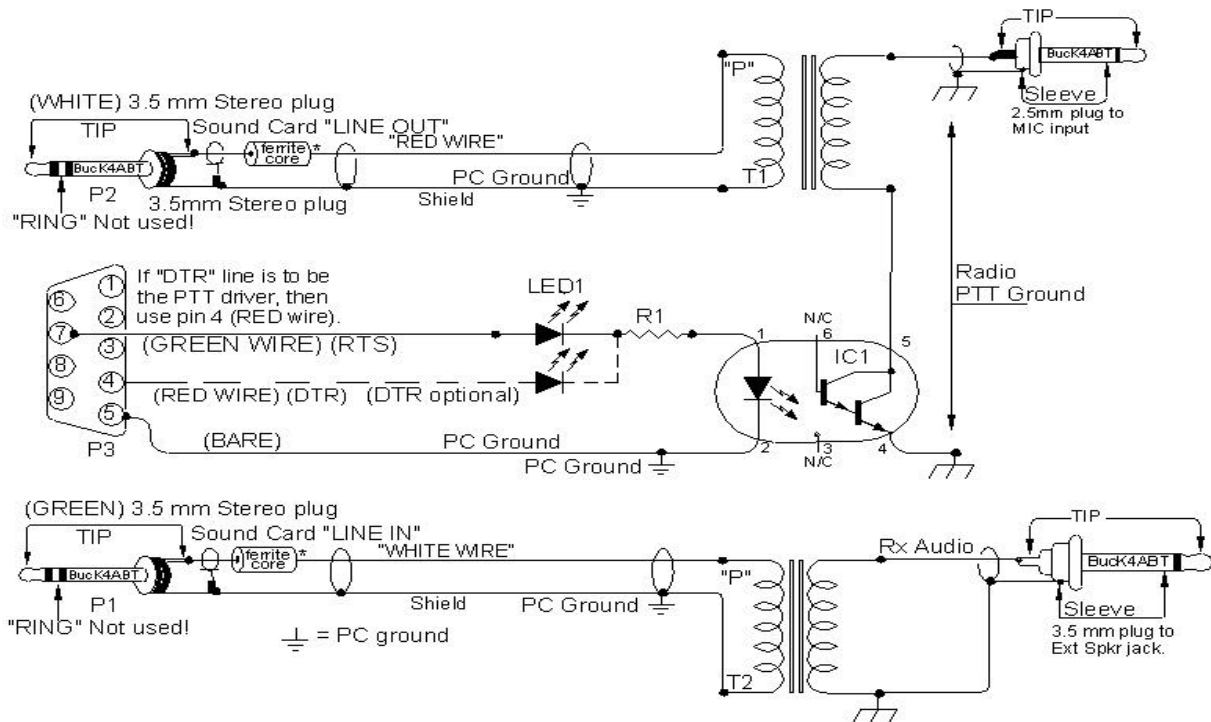
Radio and sound card audio link for PC sound card to Alinco (DX-70) HF transceiver. T1 & T2 are 600 to 600 ohm audio transformers. **RASCAL model AL6A**



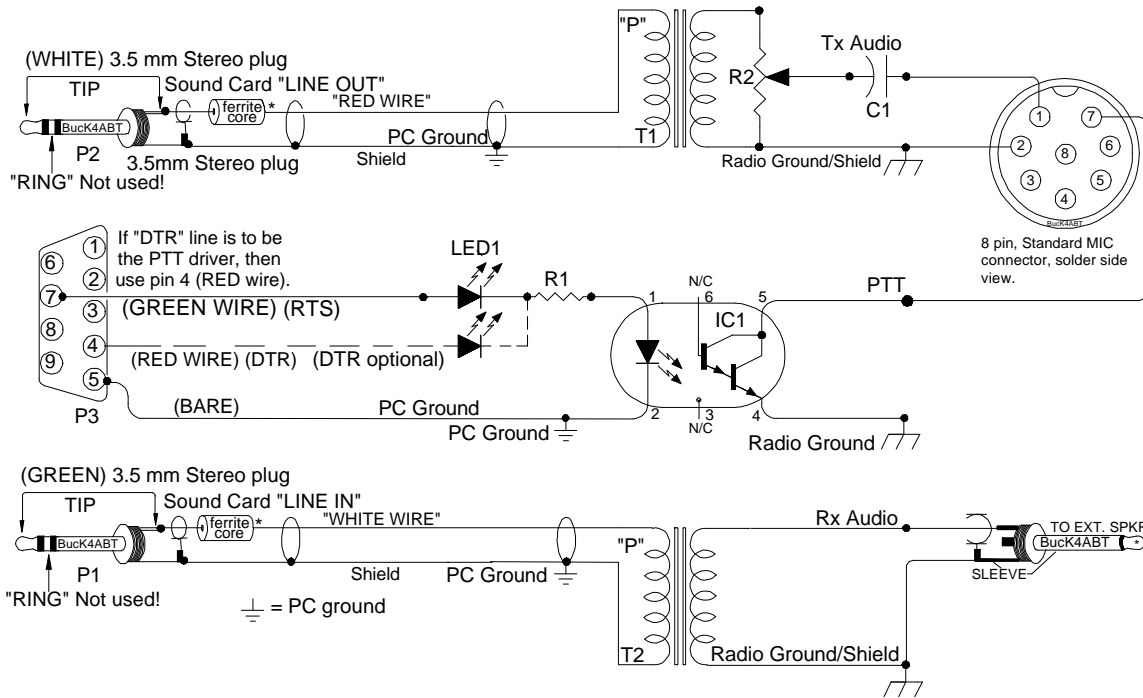
Radio and sound card audio link for PC sound card to Alinco HF and VHF transceivers. Receive audio is extracted from external speaker jack. Note that T2 is 1000 to 8 ohm and T1 is 600 to 600 ohm audio transformers. **RASCAL model 1-AL**



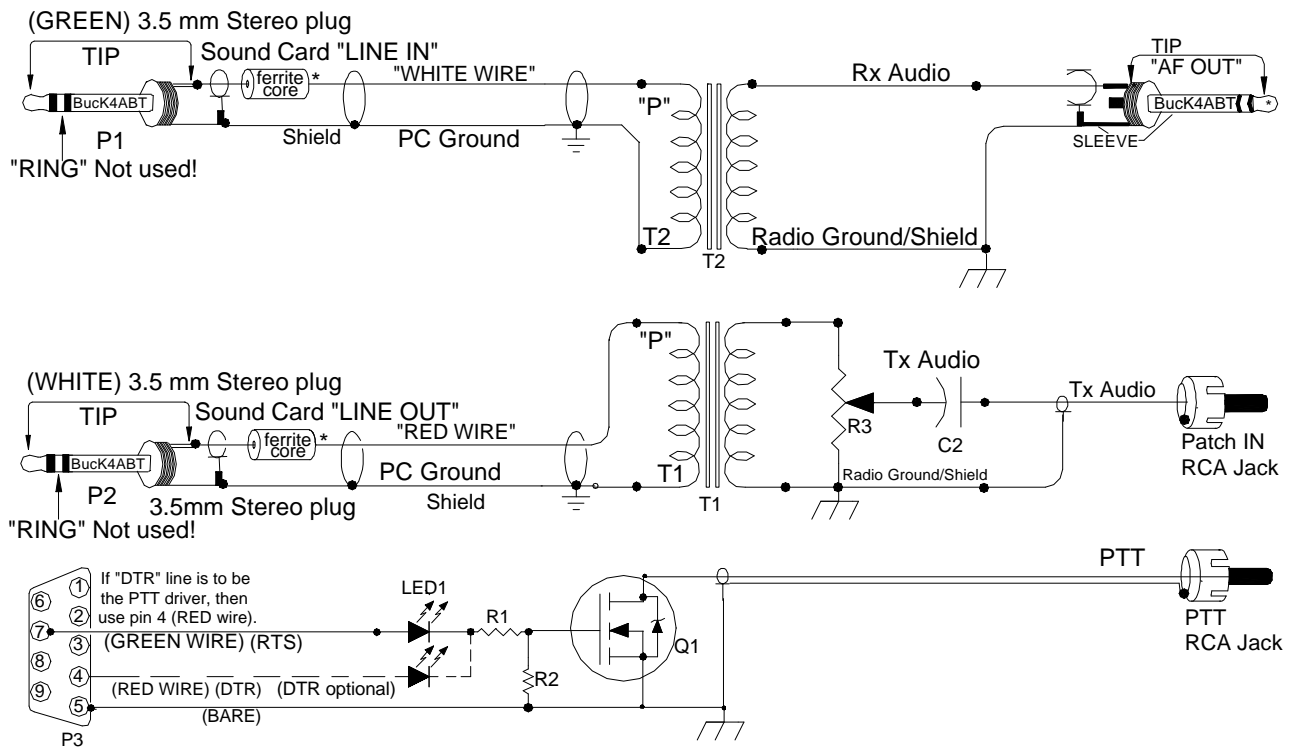
ALINCO, ADI, ICOM, Radio Shack, and similar handheld transceivers using 2.5mm (TxAFSK/PTT) and 3.5mm (Rx AF) jacks as shown in the drawing. Hand-Held to PC sound card for PSK31, and SSTV. *NOTE: Be sure your Hand-Held uses the same connector format: 2.5mm (TxAFSK/PTT) and 3.5mm (Rx AF). RASCAL R-20*



A variation of the same theme shown above for ALINCO, ADI, ICOM, Radio Shack, and similar handheld transceivers using 2.5mm (TxAFSK/PTT) and 3.5mm (Rx AF) jacks as shown in the drawing. Note in this diagram, the transmit audio transformer completes the PTT circuit while superimposing the transmit audio into the transceiver



Radio and sound card audio link for PC sound card to Azden VHF/UHF transceivers. Receive audio is extracted from external speaker jack. Note that T2 is 1000 to 8 ohm and T1 is 600 to 600 ohm audio transformers. **RASCAL model 1-AZ**

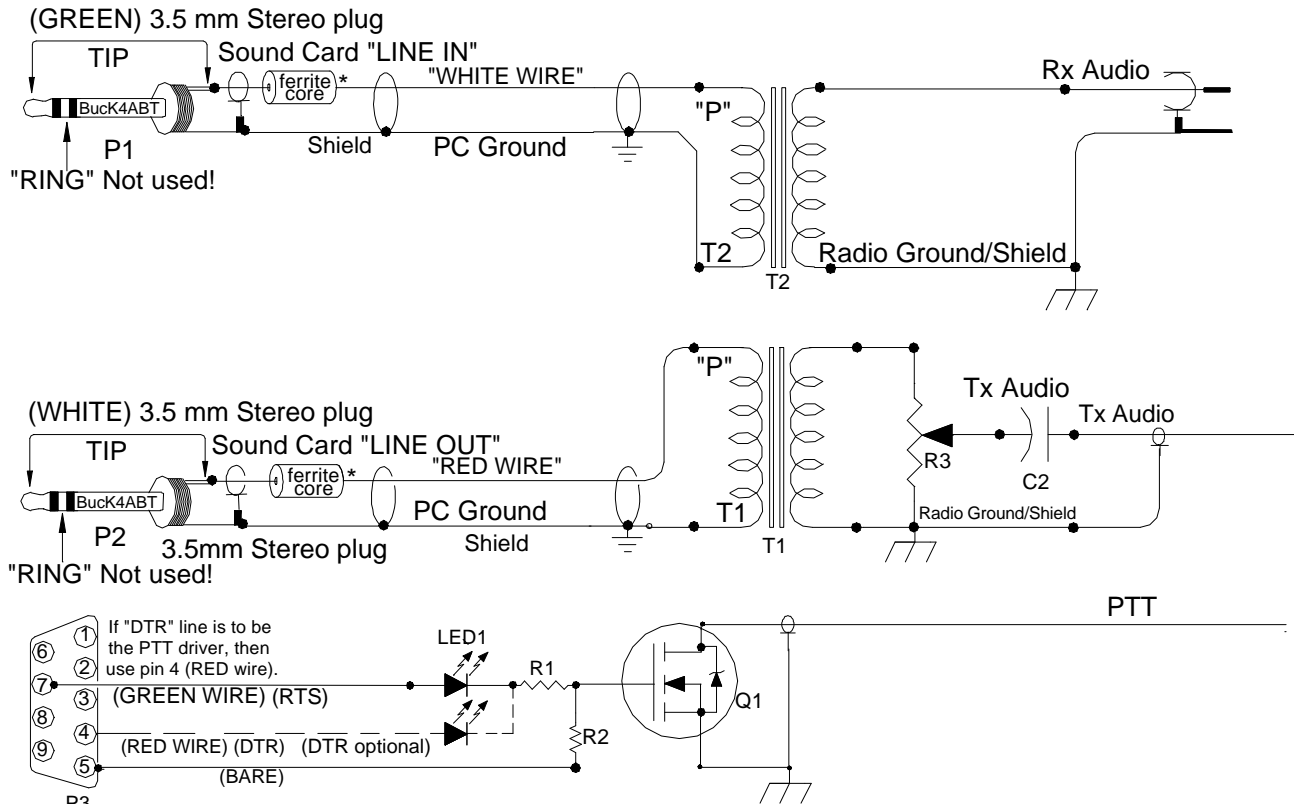


Most transceiver PTT circuits will sink (close) with 50 to 80 ohms. In a few cases, there are specific transceiver models which require a PTT sink lower than 50 ohms. In fact, they will need a sink near 20 to 30 ohms. In the circuit I have designed and drawn here, the Push-To-Talk sink resistance is near zero, or well below 5 ohms. The Metal-Oxide Silicate, Field-Effect transistor (MOSFET) that I use is selected because it is manufactured as an "insulated gate" type FET. By design and because of this insulated gate feature, the MOSFET is hereditarily a high-impedance input device. Handling and soldering should be done in accordance with the same procedures as used when handling CMOS devices.

I selected a single (insulated) gate, N-Channel MOSFET with internal zener diode protection, and because it provides a "low-On" resistance, low input capacitance, and low input/output leakage. Think of it as having a "high degree of immunity to RF fields."

Another consideration that influenced my choice of MOSFET was the amount of PTT "Drain" (sink) current (I_D) be handled by the MOSFET. Most transceivers sink (PTT) at less than 20 mA, however, there are still a few "tanks" out there which use relays to handle transmit – receive changeover. To make sure I had adequate current handling, I selected a MOSFET with a 200 to 300 mA continuous duty (I_D) Drain current handling capability. One of the more hefty MOSFET is the VN10K, with a I_D of 300 mA continuous, and 600 mA pulsed.

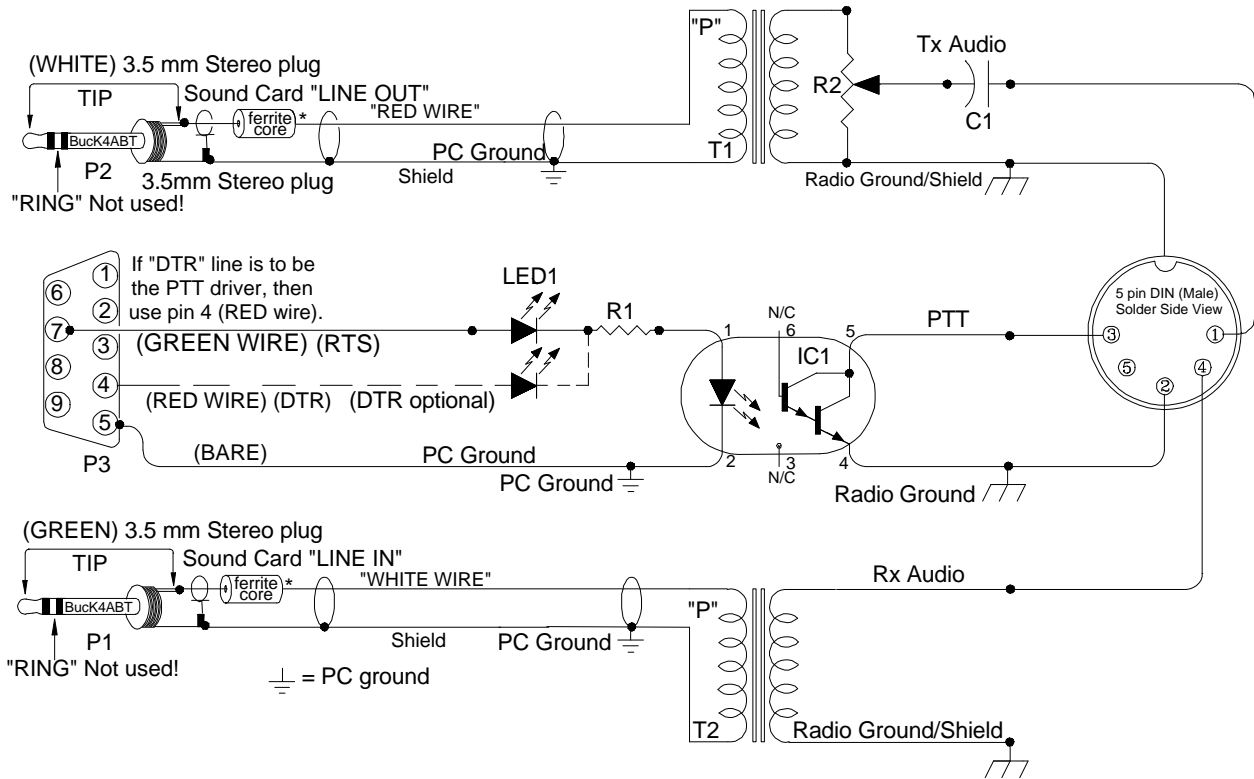
Another example of the insulated gate MOSFET with a more universal application is shown in the following diagram.



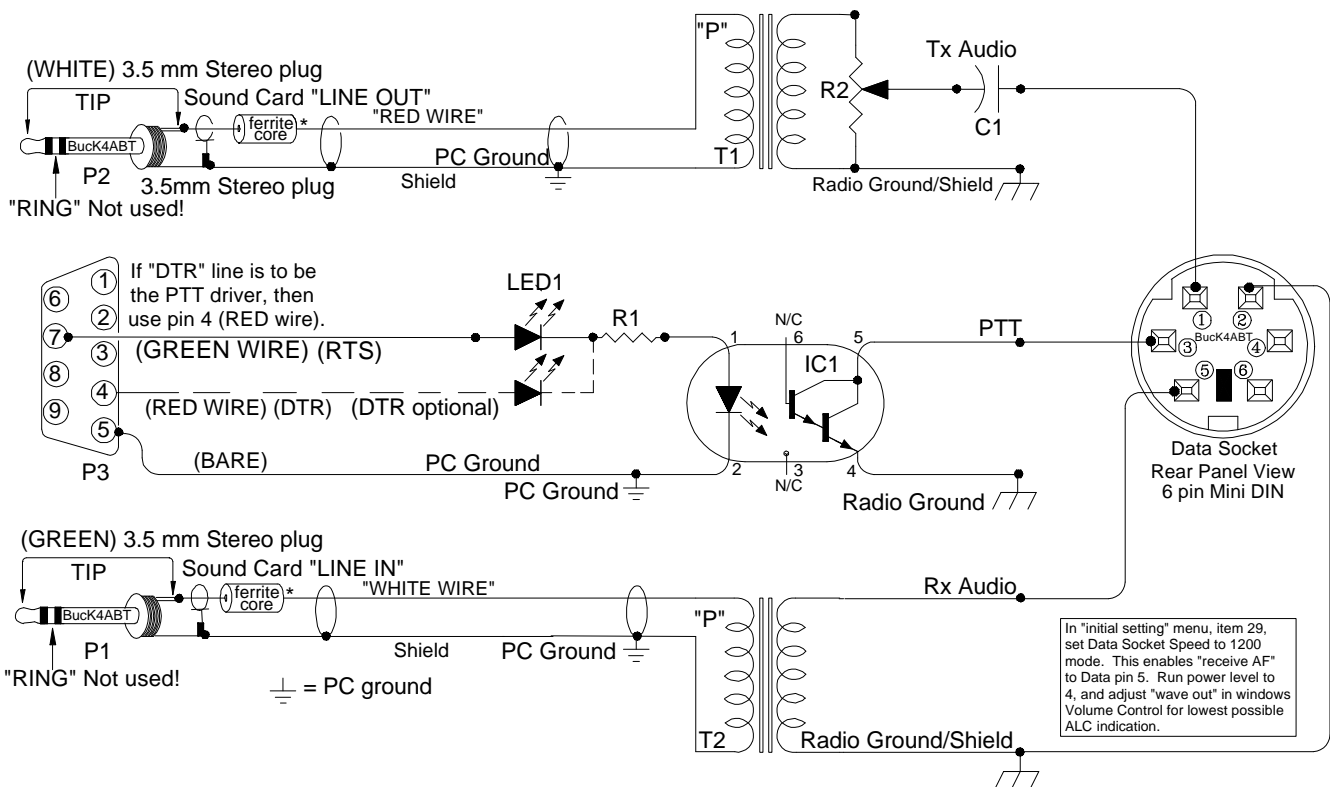
LOW-LEVEL, HIGH-IMPEDANCE, Input/Output Ports:

One note that I must inject here is; many of today's transceivers utilize the new ISO standard I/O. It is usually made standard for both 1200 and 9600 baud data input/output. With this in mind, remember when we the ISO standard (6 pin Mini-DIN), we should configure the interface and menu settings to use the 1200 baud pin for PSK31, SSTV, and most other modes. Only when we are using the 6 pin Mini-DIN for 9K6 Packet, should we even consider using the 9600 baud pin of this jack.

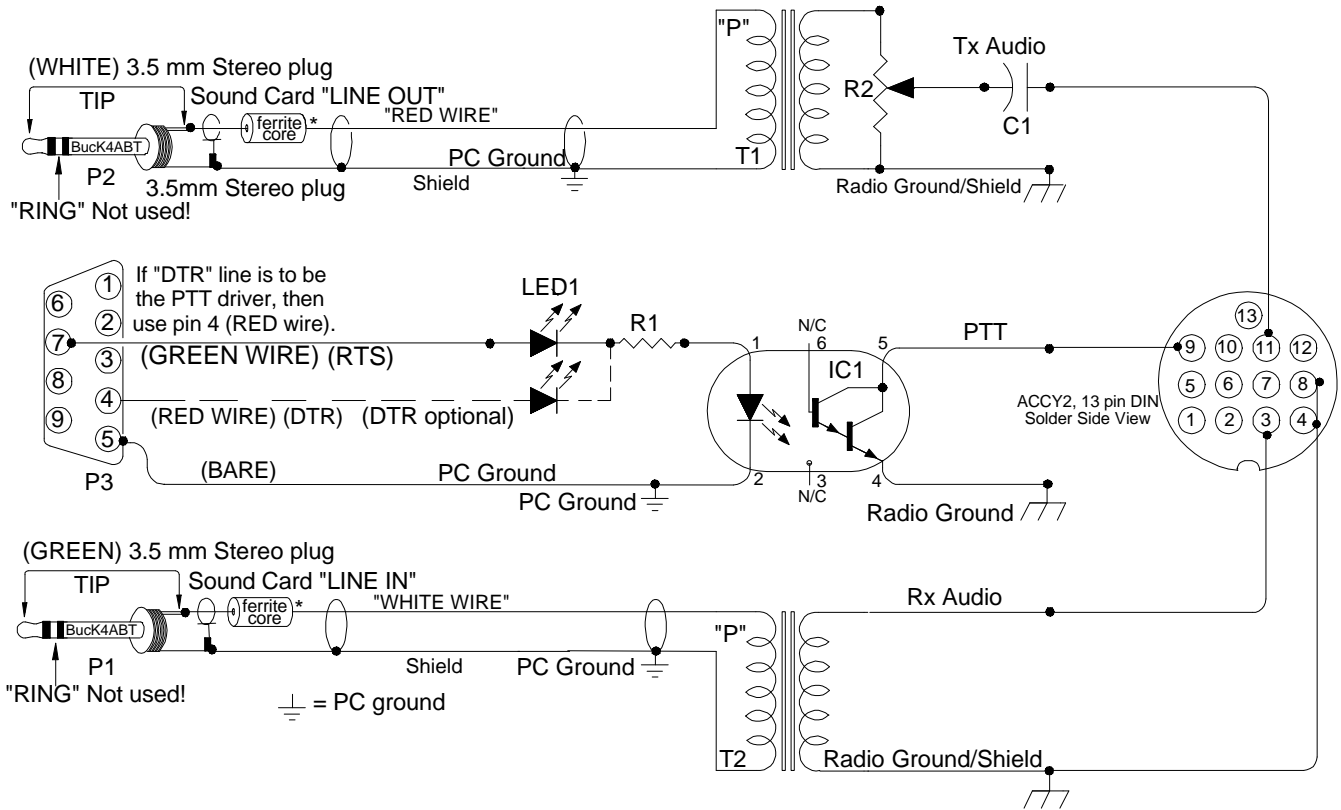
Several transceiver models employ the accessory (high impedance), low-level jack/ports as the I/O for digital modes, and soundcard input/output. In the schematics and diagrams that follow, I'll outline some of the techniques I use to interface these radios. I hope some of these diagrams and schematics will fit your application.



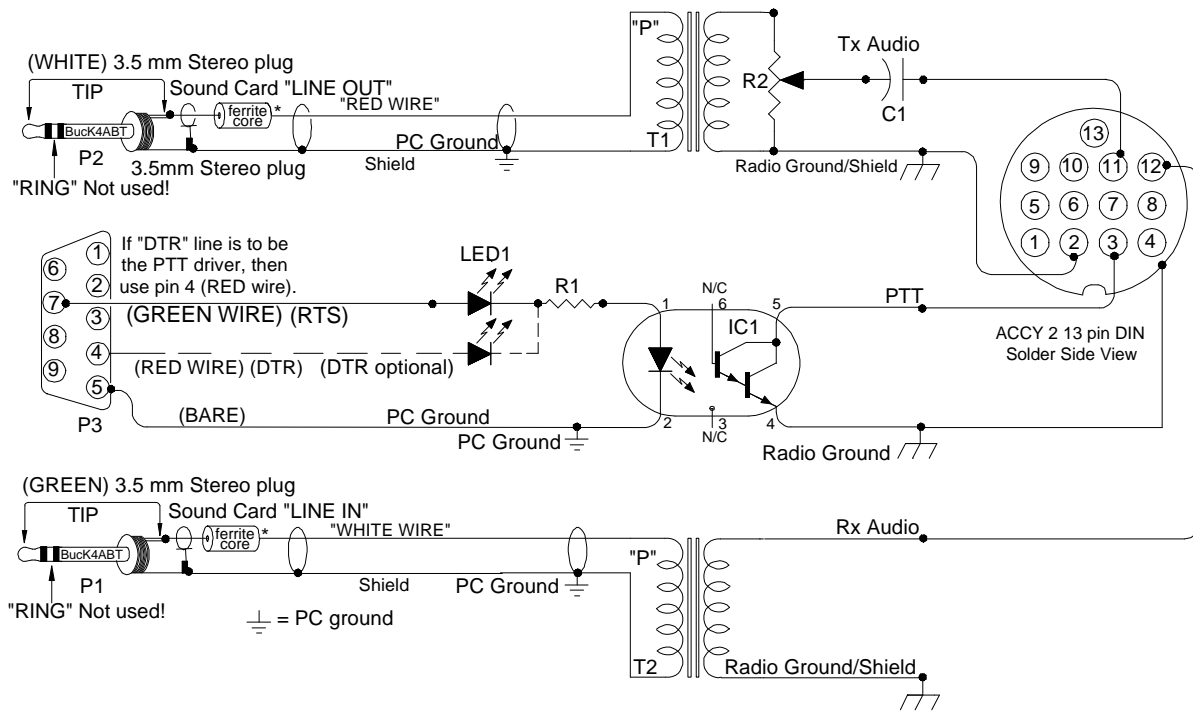
Shown here is the YAESU FT-990 5 pin DIN accessory (Packet) I/O port. The short fall of this input/output is that it will only work using lower sideband. This same port configuration may be used with the TenTec 5 pin DIN accessory ports with the capability to use both side bands.



This interface is for the ICOM 706, 6 pin Mini-DIN, accessory jack. NOTE that special settings are required to the menu to route data in to the ISO standard accessory jack. The opto-coupler at IC1 is a 4N37, and resistor R1 is 470 to 680 ohms.



The illustration shown here is for the Kenwood 13 pin accessory jack. Both transformers are 600 to 600 ohms (available at; www.BUXcommco.com), The BUX CommCo transformers have the primary side identified with a large black "P." When you use a 600/600 ohm transformer that does not have the primary winding identified, use a VOM and measure the windings. The winding with the higher "DC" resistance (by only a few ohms) is usually the primary. In most BUXFMR6K6 the primary will measure (DC resistance, not impedance) 60 to 67 ohms, while the secondary winding (DC resistance) measures 50 to 54 ohms.



Shown here is the diagram for the ICOM IC-706 13 pin accessory port.

PSK31 Operating Hints and Tips:

One of the best beginner (and veteran use) PSK31 programs is WinPSK by Moe Wheatley AE4JY. Up front, the program is so easy to understand. It's straight-forward display exposes defined icons and mouse-over brief explanations of each icon.

Perhaps the flair that makes WinPSK excel is the very well written users support document, also written by Moe. Not only is Moe talented at writing code and building software, he has the a gift to build the documentation to support his code and software. I can attest to the fact that it takes the "right-stuff" for a software writer to describe how to use and apply the code he/she has written. You will more fully understand when you begin using the latest version of WinPSK.

The best way to become familiar with WinPSK is to start playing with it and clicking away on things. In actual operation, learning to use the left, right, arrow keys for moving to the receive signal frequency is very handy. There usually is never a need to touch the mouse to be able to tune in a PSK31 signal.

The actual Transmit/Receive frequency is your USB radio dial frequency setting plus the audio frequency displayed in WinPSK. If using LSB, you subtract the audio frequency from your dial setting. For example if your transceiver is in the USB mode and reads 14070.00 KHz and your audio frequency is 1500 Hz, then your actual transmit/receive frequency is 14071.50 KHz.

The TX and RX frequencies are limited between 200 and 3500 Hz., however it is best to stay away from the edges because transmitters may have some frequency limitations as well as some soundcards. (This may explain some of the weird asymmetric signals observed from time to time)

Don't send all your text as UPPER CASE letters. PSK31 was designed to send the most commonly used letters such as 'e' and 't' much faster than lesser used letters such as 'z'. Uppercase letters take a LOT longer to send and just slow down your transmission. Type as you would normally and capitalize letters as needed. A common practice is to send callsigns in upper case. WinPSK converts your call and "Theircall" to upper case automatically when using macros.

Make sure your PC time and date are set correctly. WinPSK assumes your PC's date, time, and time zone settings are correct.

If you need more screen area, go to the View menu and un check the toolbar and status bar views. This will give a bit more area for the program. Adjust the screen size so the bottom part of the screen does not have a scroll bar since that wastes room as well. Also if try using the small display fonts option in the Window's Display Setup.

Use the drag and drop capability of WinPSK with care. Dragging text into the transmit edit box while transmitting or into the middle of the transmitted text is asking for trouble. It's best to do all the "dragg'n and drop'n" BEFORE starting a transmission. The same goes for pasting text from the clipboard into the TX text window while transmitting. If you must do it, make sure you paste at the end of the text.

Try using the QPSK mode when conditions get rough. In many circumstances, using QPSK will greatly improve reception due to it's error correcting capability. WinPSK was designed to tune in QPSK signals as easily as BPSK.

IMD measurements are only guidelines at best. They are ONLY valid when the incoming signal is VERY strong, only during several seconds of PSK31 "idle" transmission, and the propagation path is free of QSB.

AFTER YOUR RASCAL INTERFACE IS CONNECTED;... PLEASE READ THIS DOCUMENT!

With PSK31, the first thing I do is set my transceiver for normal single side-band (SSB) operation. I turn off any speech processing and after I have the microphone level properly set for PSK31, I don't change this setting again.

All future levels are set into and out of the sound card using the volume and wav controls built into the PC sound card "control panel" software. Set the transmit audio level so the transceiver "Transmit Drive" level is reduced low enough so that **no ALC action** is observed. This is how I avoid creating phase distortion or overdriving the input to my transceiver.

If you cannot use the sound card "Control Panel" in Windows to decrease the output level of your sound card to meet the level requirements of your microphone or accessory data I/O input, then use the coarse level control built into the BUX ISO interface. This is a variable potentiometer (pot) inside the ISO interface used to reduce the LINE OUT level to your transceiver MIC or accessory port.

The idea is to keep your signal level low enough to have a clean PSK31 signal on the air. As an example, if your transceiver is rated at 100 watts output, set the transmit audio so that your power output is at or below half power, or between 30 and 50 watts. Believe me, this is enough power to make all the PSK31 contacts you can handle... even on "field day."

You can use "Settings" icon from the menu in WinPSK or the "configure" icon in DigiPan II to select "Rx Level", or "Spectrum Drive" to set the *receive* level to the sound card **LINE IN**.

While we're discussing sound card I/O levels, in case of feedback (usually "motorboating"), which may be caused by the common ground of the soundcard input and output, "MUTE" the "line in" ON THE "VOLUME CONTROL" panel under Windows or in your PSK31 software at configure/transmit/check 'Mute'. This change will stop the sound in your PC speakers, but it may also stop the motor-boating of your PSK31 transmit signal.

So the message is well understood, let me say it in another way. The Microphone and Line inputs on the Volume Control panel, controls the SOUND to the speakers (not the spectral display) and muting these inputs will render no sound (receive) from the computer speakers, but the *transceiver* speaker can still be used to audibly monitor the PSK31 signal if you so desire.

If you are using the external speaker jack for receive audio to the sound card, then a 3.5 MM plug and two-jack splitter may be required to feed both an external speaker and the sound card. This is because the internal *transceiver* speaker will be muted by the closed-circuit (opened) jack.

SETTING UP THE VOLUME CONTROL THE FIRST TIME:

PLEASE READ THIS DOCUMENT!

Before we get into actually using it, we must make sure the Volume Control is configured to display and control the devices and audio streams we're going to use for PSK31 and/or SSTV.

- 1) Open the Windows Volume Control. On most systems, you can open it by double-clicking on the small "speaker" icon at the lower right of the Task Bar.
- 2) From the Options menu, select Properties.
- 3) In the window that appears, there will be a "Adjust Volume For" frame. *Select the Recording option.*
- 4) In the list of available controls, make sure the LINE or MIC control is selected, (whichever you're using) and that the "Wave In", "Wave Record", and "Record Control" controls are selected, if available. Then, click the OK button.
- 5) The second window will disappear, leaving you with a window titled "Recording Control". This is where you'll set which device to use for the recording stream. (receive)
- 6) Make sure the checkbox for the LINE, MIC, or 'Auxiliary' devices is selected, (whichever you're using) the "Volume:" slider for that control is set to 50% to 75%, and that the "Balance" slider is centered. At this point, you may want to disable recording on unused inputs, to reduce noise. You can do that by clearing the checkbox for each input as desired. You're now finished with the initial setup to receive PSK31.
- 7) Again from the Options menu, select Properties. This time, though, select "Playback" in the "Adjust Volume For" frame, then click the OK button.
- 8) Make sure the "Wave" checkbox is NOT selected. (muted) Set this control to roughly 50% to 75%, and center the "Balance" slider. The "Wave" slider, in combination with the "Volume Control" slider, controls the playback, or transmit level. This completes the initial configuration.

Fine Tuning our initial receive and transmit adjustments:

Now that we've made the initial adjustments, we can fine-tune the Volume Control for best operation with your PSK31 program, sound card, and radio. Here are the basic things to keep in mind :

- * The "Wave" slider controls the transmit level, in combination with the "Volume Control" slider.
- * The Volume Control slider controls both the level going to your computer speakers, (receive or transmit) and the overall transmit level.
- * The MIC, LINE IN, or AUXILLARY controls the receive level.

Notice that running the software Volume Control slider up and down will change the level of the receive audio going to your speakers, but it does not change the actual level of the recording (receive) stream. If you mute the input you're using to receive PSK31 from, the audio will no longer be delivered to the speakers, but it will still be delivered to your PSK31 program.

This feature can be used to break the feedback loops that can occur if you use the phone patch or external audio connections on the rear apron of your transceiver.

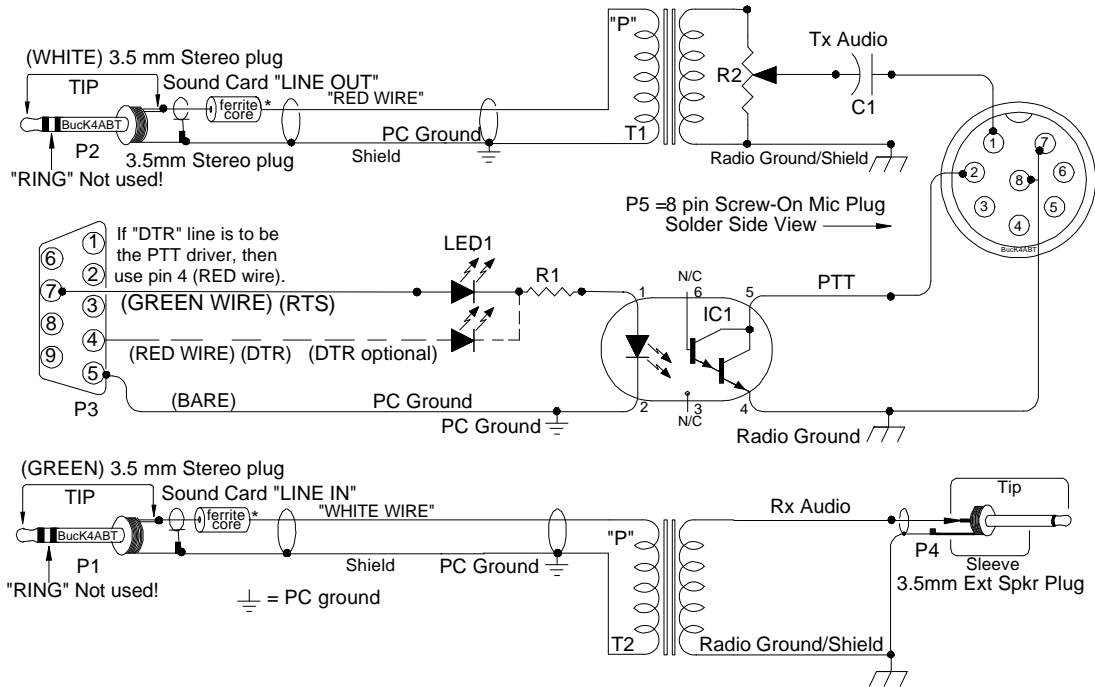
For more info about PSK31 setup, on the Web, VISIT: <http://www.packetradio.com/bbbb.htm>

Addendum "A"

BUILDING AN INTERFACE FOR PSK31 AND SSTV

By

Buck Rogers, K4ABT@PacketRadio.com



The schematic diagram shown here is only an example. A full-page diagram is supplied for your specific kit.
 Let's first open the **RASCAL** kit and view the diagram... become familiar with who's on first... and 'what's on third'



RASCAL™

(**RASCAL**™ = "Radio And Sound Card Audio Link")

When we receive the **RASCAL**™ ISO-KIT, we examine the parts and open the diagram. Look over the schematic and get an idea of how the parts should be arranged on the PC board (PCB). We look it over and quickly learn that the interface that everyone has been telling you that it is so large and difficult, is not at all complicated. In fact, it is an easy, and straight-forward assembly that can easily be completed in a couple of hours. Soon you are on the air operating PSK31, SSTV, MFSK, RTTY or Packet .

It only takes a few minutes to look over the drawing and become familiar with who's on first... and 'what's on third'!

Use a small tip (pre-tinned preferred), pencil type soldering iron (35-40 watt). If available, use a controlled heat solder station. For instance, I use the Weller WLC-100 variable heat (controlled) solder station with an ST-1 tip installed, when building the pre-assembled sound card to transceiver interfaces. Keep tip clean, I use a small damp (with water, of course) sponge from Radio Shack to keep my tips clean.

THE CAVEATS!!! :

Without beating a subject to bits... and bytes, I want to drive home a simple statement, and request. If you are new to soldering, there is one cardinal rule. **DO NOT overheat wires that are shielded!** When soldering shielded wires, the center conductor may have a thin layer of insulation that can melt quickly and allow a short to occur between the center conductor and the shield. When this happens, there will be no output or the shielded cable will not perform the function for which it was intended.

Too much heat can be as damaging as not enough heat. As soon as the solder flows in the wire to wire or wire to connection joint, remove the soldering iron. Be sure to use a good rosin-core solder. DO NOT use acid core solder or cleaner. As an added assist, I use a "LUXO" lighted Magnifier to view the small components, and solder traces.... as something happened to my eye-sight when I passed 60 years of age... a few years ago.

AVOIDING RF FEEDBACK (SQUEALS):

While building PSK31, and SSTV, interfaces between PC sound card LINE IN, and LINE OUT to various HF and VHF transceivers, I've learned many valuable lessons. Some of these I'm committing to print to help you resolve a problem before it arises.

The first problem I encountered was when I had my computer too far away from my transceiver. I built the interface, and had long leads (over 4 feet) from the computer Line IN, Line Out, and serial comport (PTT control) to the interface printed circuit board. Then I had another 4 feet of cable from the interface printed circuit board (PCB) to the transceiver input/output (I/O).

This is where most RF problems occur. Although shielded, these long leads tend to capture stray RF and in turn, it would reach the microphone, or accessory I/O jack. Combined with the PSK31 audio signal, this RF component would become 'base rectified' in the transceiver audio circuits, thus creating a squeal in my transmitted (on air) signal. You'll notice in most of my RASCAL and ISO kits, that I provide LINE IN and LINE OUT cables that have large ferrite cores molded into the cables. These ferrite cores serve as RF chokes to prevent RF ingress into the sound card input and output lines. In addition, we can circumvent this problem, by making the leads from the Line IN, Line Out, and serial comport (PTT) to the interface PCB, as short as possible. A two to 4 foot lead length from the PC to the interface control box, on each Line and the serial comport is enough. You'll find that most computers have all the sound card jacks, and comport connections within a few inches of each other on the back of most PCees.

Using the same strategy for the PCB to transceiver input/output jacks, let's try to maintain these leads as short as possible, if possible, less than three feet long. Another RF problem can occur when the interface is placed too close to the PC monitor (screen). Some stray EMF/RF can be induced into the lines or interface transformers and create noise to or from the transceiver. Avoid close proximity between the interface PCB and the PC monitor.

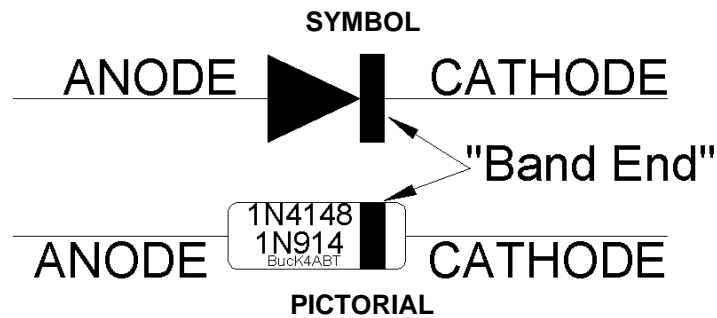
DC BLOCKING CAPACITORS:

In most **RASCAL-KITS** distributed by BUX CommCo, we include small, tantalytic capacitor (see photo below).



This is often a 'polarized' capacitor (NOTE a plus + marking near the positive lead). The value of this compact sized capacitor is around 3.3 ufd, and may be as large as 6.8 microfarad (ufd). The voltage rating should be 25 to 50 volts. The purpose of the cap is to provide DC isolation in the microphone input on transceivers which may supply a low bias voltage to excite 'electret' type microphones. If you find that you have one of these caps in your ISO-KIT, but are not using the microphone input for your PSK31 interface, then lay the small tantalytic aside or, at your option, install it in the transmit audio input to your transceiver anyway. If you elect to use this capacitor, **BE SURE to install it with the 'PLUS (+) lead towards the microphone input** or the transceiver audio input. The remaining lead connects toward the (RED) isolation (PSK31 Tx audio out) transformer lead. If the coupling capacitor has no polarity markings, then no specific pin direction or installation scheme is necessary.

UNDERSTANDING DIODE MARKINGS AND INSTALLATION:



To help you fully understand and identify the markings on the diode(s) used in the ISO-KITS, I've drawn a symbol and a picture to help the user relate the symbol definition to a pictorial of a diode.

The RASCAL™ ISolation Transformers:

All RASCAL and ISO kits contain isolation transformers. Look at the color of the covering around the transformer winding. A **"RED"** tape/cover indicates a 1:1 turns ratio winding or in the case of the RASCAL, a **600 to 600 ohms** (BUXFMR6K6) isolation transformer. In most (all) applications, a "RED" transformer is used in the transmit (sound card OUT), to accessory jack, Patch In, and microphone inputs.

In many cases, the same type (color) transformer will be used in the accessory, Patch OUT, and Data Out ports. If your kit uses (extracts) audio from the **external speaker** jack (usually marked 'Ext Spkr'), one of the isolation transformers may have a **'BLUE'** covering. This is a **1000 ohm to 8 ohm** (BUXFMR1K8) isolation transformer. The 8 ohm side will be wired towards the external (8 ohm) speaker jack of your transceiver, while the 1000 ohm (side marked "P") is wired to the sound card, tip and sleeve (ring is not used) shielded, "LINE IN," (usually a 3.5 mm plug/jack). Please notice in the diagram(s) that the computer sound card is isolated from the transceiver. This is our main purpose for using the "isolation transformers." Most of my diagrams reflect the correct measures for maintaining the isolation characteristic of the interface.

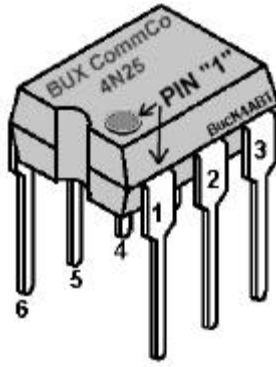
To further define... the ground/shields on the transceiver side of the isolation transformers and Optocoupler may be considered one set (Digital Ground) of grounds, while the shield/grounds on the PC side of the 'isolation' transformers and opto-coupler are considered as a (transceiver/earth grounds) separate ground set.

The transformers used in the RASCAL (BUX CommCo interfaces) will have a "P" printed on one side of the **"RED"** and **'BLUE'** transformer winding cover. This "P" indicates the 'Primary' winding, or the first layer placed onto the bobbin, or core. Some diagrams will note the position of the transformer in the circuit, relative to this "P" winding indicator.

NOTE; On most all isolation transformers, there are three leads on each side. The center lead from each side of the transformer is the "Center-Tap" and is not often used. This center-tap may be cut off, or simply folded back onto the winding, and taped out of the way. Insure that it does not touch any other component or any metallic surface of the transformer.

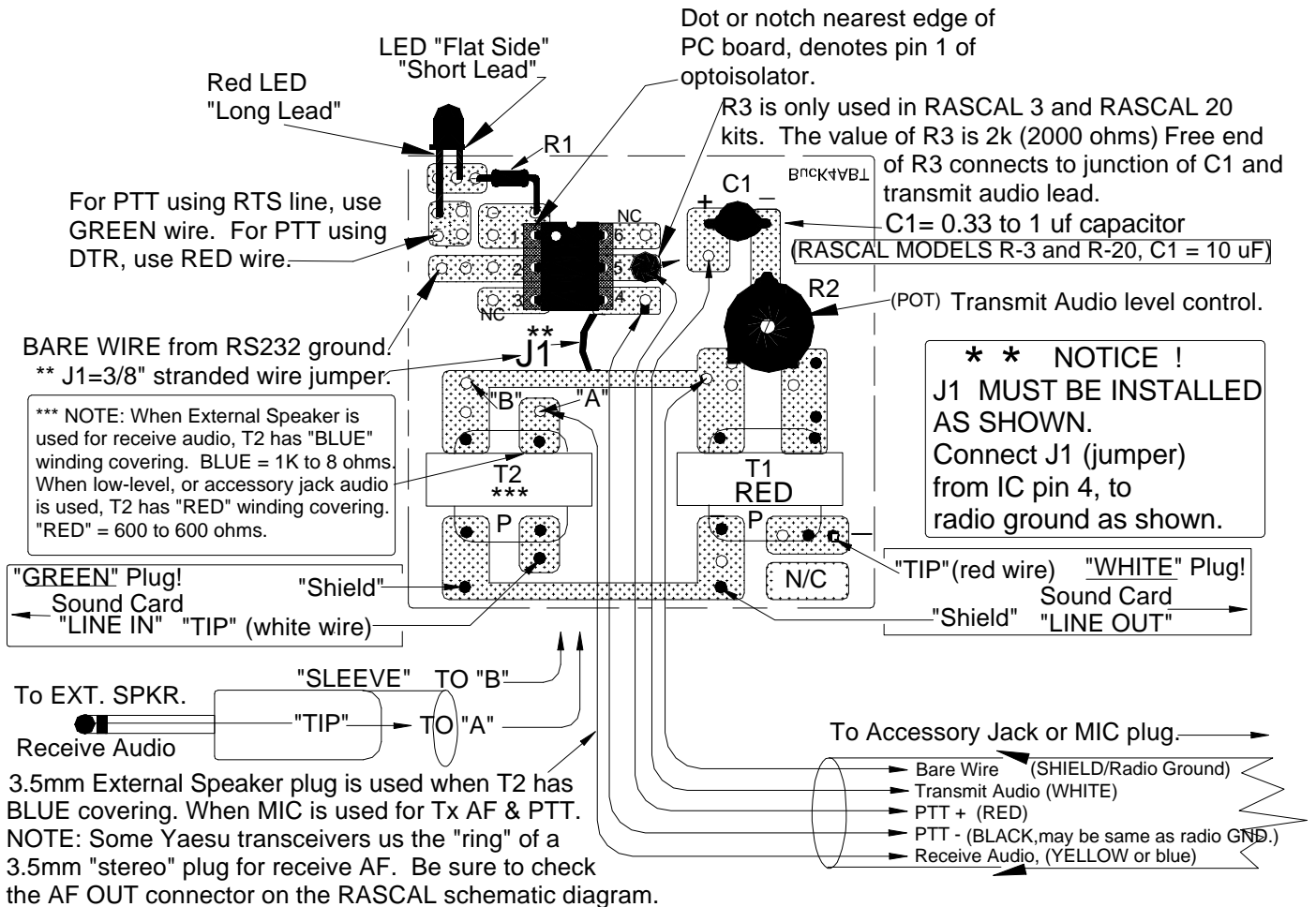
In some interface part kits, there may be a small electrolytic capacitor(s) rated at 5 to 10 uF. One such kit is the Yaesu FT-847 (RASCAL model 3). Another one is the RASCAL model 20 kit that is used with many hand-held transceivers. **Notice** the small print on the capacitor, and note the lead identified with a plus (+) sign. Remember that this is the lead that goes toward the radio Data I/O connector (yep, I had to use my handy magnifier to see it, but it's there).

On most diagrams that I provide for your PSK31 interface, I try to display the I/O (accessory, Mic, Data In/Out, Patch I/O...etc), port connector as a pictorial. This is to help you identify the connector pin-outs. *I draw these diagrams so the connector illustration shows the back side, or solder side view of the pins.* Again, a "caveat" PLEASE; Verify the connections against your transceiver/radio manual. I AM NOT RESPONSIBLE FOR MISTAKES, ERRORS, OR OMISSIONS!



There's always that one final little 'knot-bite' that is the "got'cha" for many new HAMs who've never had the chance to work with integrated circuits. I've drawn an IC (shown above) similar to the 4N33 or 4N37 that are used in many of my RASCAL, PSK31 interfaces. NOTE, that pin 1 is identified by a small, almost obscure circle just above the pin (1) location. IF... The dot is not on the IC, then use the small notch to help you identify pin one (1). Hold the opto-isolator (IC) so you are looking into the notch. Pin one (1) is the pin on the right side, nearest you. I hope my illustration will clarify pin identification of the 4N33 and 4N37 opto-coupler/opto-isolator/phototransistor.

ISO kit or PCB only all available from BUXCOMM Inc.,

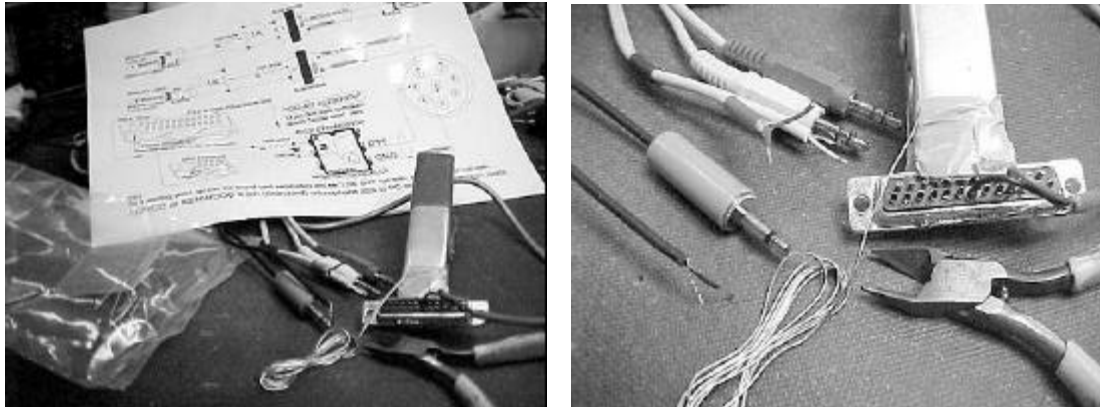


TOP VIEW (COMPONENT SIDE) OF PRINTED CIRCUIT BOARD. SOLDER TRACES "shown" ARE ON BOTTOM OF PC BOARD.

NOTES: PC board is available at; www.BUXcommco.com

- PTT minus (-) may be same as “bare-wire” connection.
- *Reference to R3 applies only to **RASCAL** models R-3 and R-20
- Use Sound Card software controls for Receive and Transmit “**fine**” settings.
- For easier soldering of 13 pin DIN connectors, cut away any unused pins.
- Sound Card Plugs, **LINE IN** (Mic IN) = **GREEN**, and **LINE OUT** (Spkr Out) = **WHITE**.
- Pin 1 is identified by a small dot on top of IC or left of notch (top view).
- “**P**” = Indicates “Primary” winding of transformer.

© 1999, 2000, 2001 BUX CommCo & G. E. “Buck” Rogers K4ABT. RASCAL is ®™ of BUX CommCo



- LEFT: Then we do a parts-check against the diagram.... I always include more parts than are shown on the diagram, including the solder!
- RIGHT: Carefully follow the diagram and begin the assembly of our interface by dressing the cable ends first.

NOTE 1. NO, the RS-232 is already wired... I placed the DB25 in the photo just to get your attention!!!

NOTE 2. In the sound card cable, the lead with a RED and a WHITE wire...clip or cut off the white wire so that only the **RED** wire and shield remain.



- (LEFT) Once completed, the '**RASCAL**' printed circuit board is ready to be fitted into its interface case.
 - (RIGHT) Drill a 3/16 inch exit hole for the RED LED transmit indicator.
-



- (LEFT) Next we drill the interface cable exit
- (RIGHT) Once the 3/8 inch hole is made, a pair of dikes can open the exit hole so the input/output cables can drop in.



- (LEFT) I use wide "hook-N-loop" (Velcro) to attach the PCB inside the case. And.. if it ever becomes necessary to adjust the transmit "coarse" level, the "live hinge" lid provides easy to access.
- (RIGHT) Success and pride are so sweet. Now you're ready to plug-N-play.... PSK31, SSTV, MFSK, RTTY, sound card Packet and more!!!

PRELIMINARY TESTS AND SETUP FOR PSK31 OPERATION:

It is wise to build the interface PTT circuit first. This is the circuit that surrounds the IC (4N25, or 4N37). Once you have this part of the PSK31/SSTV PTT circuit around the IC (4N37) complete and working, the rest of the project is straightforward.

Before you begin the interface transformer hookup, you should make sure the red LED comes on when the PSK program is placed into transmit mode. If it does not light up when program PTT is executed, then you should recheck your wiring. ***Make sure you have the PTT circuit working, before you proceed further.***

First, make sure the red LED is not installed backwards. The LONG lead of the LED should be wired towards the comport DB9 pin 7, RTS (DB25, pin 4). The short lead should be connected toward pin 1 of the IC. A resistor, (***RI***) may be in the LED short lead to pin 1 of the IC. In which case, the other end of R1 connects to IC, pin 1. Pin two (2) of the IC connects to comport ground, or where the bare lead from the RS232 comport is attached. **The Red LED should only illuminate (turn ON) when the PSK31 Program is placed into transmit. : * R1 resistor values may vary!!**

HOW TO TEST THE PTT CIRCUIT: **** Resistor values may vary!!***

To test the circuit without having to load the software, and while you are at your work area, you can use a 9 volt battery and connect it across pin 5 "negative" and 7 "positive" of the DB9. (For a DB25, pin 7 is negative and pin 4 is positive) connector. Connect the negative terminal to DB9 pin 5, and positive terminal to DB9 pin 7; The Red LED should illuminate (turn ON)! Remove the 9 volts and the LED should turn OFF. To further test your PTT circuit action; With the 9 volt battery connected across DB9 pins 5 & 7, connect an ohmmeter, black lead (minus) to pin 4 of the IC, and the red (plus) lead to pin 5 of the IC. You should read a lower resistance when the 9 volt battery is connected. Remove the 9 volt battery from the DB9 connector (- to pin 5 and + to pin 7), and the ohmmeter should indicate an "open" (or high resistance) circuit. RTS means "Ready-To-Send" this is the signal on pin seven (7) of the DB9 that is executed when you enter "transmit" in your PSK31 program software. Using WINPSK (supplied on the disk), go into the "SETTINGS" menu and using the GENERAL settings, set RTS active for PTT. Be sure to set the software to the comport in use by your PSK interface.

Fine Tuning, or initial receive and transmit adjustments: Let's make the initial adjustments to the *RASCAL*TM interface. We can fine-tune the Volume Control for best operation with your PSK31 program, sound card, and radio. Here are the basic things to keep in mind:

- * The "Wave" slider controls the transmit level, in combination with the "Volume Control" slider.
- * The Volume Control slider controls both the level going to your computer speakers, (receive or transmit) and the overall transmit level.
- * The MIC, LINE IN, or AUXILLARY controls the receive level.

Notice that running the software Volume Control slider up and down will change the level of the receive audio going to your speakers, but it does not change the actual level of the recording (receive) stream. If you mute the input you're using to receive PSK31, the audio will no longer be delivered to the speakers, it will still be delivered to your PSK31 program.

If possible, turn OFF all audio processors and ALC controls! With the latter, be sure there is NO ALC action when you begin operating PSK31. Most all HF transceivers are not rated for 100% duty cycle. Remember, PSK31 is considered a "key down" (100% duty cycle) mode. When operating PSK31 on SSB or the HF bands: DO NOT use the audio speech processor, turn it OFF. Use the transceiver VOX as a last resort for transmitter PTT. Reduce the RF output power, level to less than 50%

SOFTWARE SETUP FOR PSK31: Using a program like "WinPSK," enter your call sign using the "**Settings**" / "**General Setup**" menu. Here you can enter your call and other program setup items such as the Comport number and PTT (RTS) settings. Your call sign should now appear at the top of the WinPSK screen instead of the text,... "Call Sign Not Set". You can do the soundcard level setup using the Tx and Rx levels shown under the "**Settings**" menu. Use the built in wave file player and recorder to get familiar with your sound card's mixer settings and capability. The mixer control is used to set both the receive audio level to the PSK program as well as set the "coarse" level setting to your transmitter. If you are using the MIC input, you should use the radio's mic gain for precise level adjustments.. It is also a very good idea to disable all the various Windows sounds if you have only one sound card, especially if you are using VOX PTT control.

SPECIFIC RADIO SETTINGS:

If you are using the **13 pin DIN** port of a Kenwood *TS-570S* transceiver:

Set Menu # 33 AF IN to **0**

Set Menu # 34 AF OUT to **9**

If you are using the **13 pin DIN** port of a Kenwood *TS-870S* transceiver:

Set Menu # 20 PKT IN to **0**

Set Menu # 21 PKT OUT to **9**

BUX CommCo



Home of the

FYI, good frequencies to begin operating PSK31 is at: 20 mtrs @ **14.070 MHz USB & 80 Mtrs @ 3.580 MHz**
73 es I hope to QSO w/U on PSK31 soon, de Buck Rogers K4ABT@BUXcommco.com

ADDENDUM "B"

The document that follows is printed here with permission of the author of WinPSK, Moe Wheatley AE4JY.

I have selected WINPSK as the program of choice for the new PSK31 operator because of its ease of understanding and many useful features that intrigue even the seasoned veteran PSK operator. WINPSK and supporting docs are supplied on disk with each RASCAL soundcard to transceiver interface shipped from BUX CommCo.

WinPSK User Guide

Ver. 2.10

by

Moe Wheatley, AE4JY
ae4jy@mindspring.com

Table Of contents

1. GETTING STARTED	3
1.1. INTRODUCTION	3
1.2. MINIMUM SYSTEM REQUIREMENTS	3
1.3. PROGRAM INSTALLATION.....	3
1.4. PROGRAM REMOVAL.....	3
1.5. RUNNING WINPSK	3
1.5.1 <i>Tuning in a PSK31 Signal</i>	3
2. HARDWARE INTERFACE SETUP	5
2.1. SOUND CARD / RADIO INTERFACE	5
2.2. PTT INTERFACE	6
3. PROGRAM SETUP.....	7
3.1. RECEIVE AUDIO INPUT LEVEL	7
3.2. TRANSMIT AUDIO LEVEL ADJUSTMENT	8
4. WINPSK REFERENCE.....	9
4.1. MAIN SCREEN OVERVIEW	9
4.1.1. <i>Window Size Setup</i>	9
4.2. MENU ITEMS.....	10
4.2.1. FILE MENU	10
4.2.2. EDIT MENU.....	10
4.2.3. VIEW MENU.....	10
4.2.4. WAVE FILE SETUP	11
4.2.5. SETTINGS MENU.....	11
4.2.5.1. <i>General Setup</i>	12
4.2.5.2. <i>Rx Level Adjust</i>	14
4.2.5.3. <i>Tx Level Adjust</i>	14
4.2.5.4. <i>Screen Setup</i>	14
4.2.6. CLEAR RCV MENU ITEM	16
4.2.7. CLEAR XMIT MENU ITEM	16
4.2.8. TX TUNE MENU	16
4.2.9. SEND FILE.....	16
4.2.10. HELP MENU.....	16
4.3. PSK31 RECEIVER CONTROLS.....	17
4.3.1. <i>Receive Text Window</i>	17
4.3.2. <i>Signal Display Window</i>	17
4.3.4. <i>AFC Selection</i>	21
4.3.5. <i>Program Start/Stop Control</i>	21
4.3.6. <i>PSK31 Mode Selection</i>	21
4.3.7. <i>Squelch/Quality Control</i>	22
4.4. PSK31 TRANSMIT CONTROLS.....	23
4.4.1. <i>Transmit Text Window</i>	23
4.4.2. <i>PTT Button</i>	23
4.4.3. <i>TX Frequency Control</i>	23
4.4.4. <i>NET Function</i>	24
4.4.5. <i>QSO Information Edit Boxes</i>	24
4.4.6. <i>Macros</i>	25
4.5. STATUS BAR	27
4.5.1 <i>IMD Readings</i>	27
4.6. TOOL BAR	29
4.7. KEYBOARD SHORTCUTS.....	29
5. OPERATION HINTS AND TIPS	30
6. KNOWN PROBLEMS	31
7. FURTHER REFERENCES.....	31

1. Getting Started

1.1. Introduction

PSK31 is an amateur radio communications mode introduced by Peter Martinez, G3PLX, that uses phase modulation and special character coding. It allows robust narrow bandwidth keyboard "Chat" type communications between two or more stations.

This document was written to describe how to use the WinPSK program that evolved while experimenting with DSP on a PC soundcard. This program was not intended to be a full featured program for serious PSK31 use, but rather as an example program using the PSKCore.DLL library.

1.2. Minimum System Requirements

WinPSK requires Windows 95,98, or NT 4.0 running on at least a 133MHz Pentium. Some have reported running it on 486DX's but is probably pushing it. It MUST have floating point capability. The screen resolution must be at least VGA 800x600. The program and its help documents eat up several Megs of disk space. The program needs several Meg of RAM.

Note: This program is a processor hog. Screen savers should be disabled and other processor intensive programs should probably be suspended while running WinPSK. If a message pops up saying "CPU Too Slow" then you need to try a faster PC or need to turn off whatever is chewing up CPU time.

1.3. Program Installation

The program consists of an executable file "WinPSK.exe" and a single library file "PskCore.dll". These files can be placed anywhere but is probably best to create a new folder(directory) for it say at C:\WinPSK\ . If online help is desired then you also need the file "WinPSK.hlp" and "WinPSK.cnt" to also be in the same directory. Windows will create a few other files if Help is used. The dll file can also be placed in the Windows/System/ folder but it's probably best to keep it in the same folder as the main program file Winpsk.exe.

1.4. Program Removal

To remove this program, just delete all the files in the folder where WinPSK.exe file resides.

Purists may also want to go into "Regedit" and look in the "HKEY_CURRENT_USER\Software" folder for a registry key called "AE4JY Software", select it and hit delete and your system should no longer have any knowledge of WinPSK. Leaving this key may eat up a few bytes of disk space but will not affect any other programs. If you look at the list of programs in this folder, you will probably find remnants of all sorts of old programs.

1.5. Running WinPSK

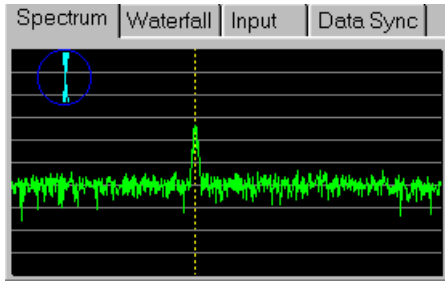
Once the program is placed in the directory you wish, just double click on it in Explorer and it should begin operation.

Hint: while in Explorer, select WinPSK.exe with the mouse and RIGHT click on it. A menu will pop up and select "Create Shortcut". A Windows shortcut to WinPSK will now appear in Explorer and you can drag it off onto your desktop or anywhere else. WinPSK can now be executed by clicking on the new shortcut, even though it is not located in the folder as all the rest of the files.

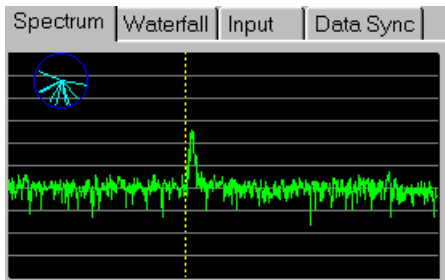
1.5.1 Tuning in a PSK31 Signal

If your soundcard is working and you already have it connected to your transceiver, then WinPSK should begin running. Clicking the left mouse button in the spectrum display will change the receive frequency marker position. Try clicking it back on a signal to see if you can get it to receive. If the display is not showing anything, you may need to adjust your soundcard Recorder mixer volume control.

Here is a properly tuned in BPSK signal. Note the vertical vector view and that the dotted cursor is at the peak of the signal.



Here is a PSK signal that is not tuned in correctly because the dotted cursor is not at the center of the signal. Left click the cursor on the center of the signal to tune it in. On must be within about 25Hz of the peak in order for the software to find the center.



A squelch control should be yellow as it indicates the quality of the signal. Clicking in the squelch control will set the squelch threshold.

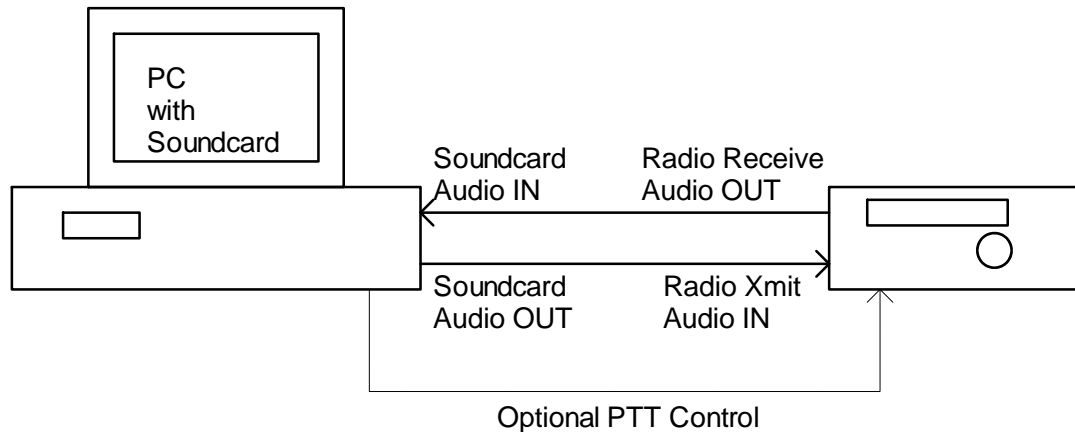
Consult the WinPSK Reference section of this help file for all the gritty details of the program. Don't be afraid to click around and see what happens.

2. Hardware Interface Setup

If your computer is already setup for using one of the other PSK31 programs, then you should be in business. All the soundcard levels and serial port connections should work okay without readjustment.

If this is a new system, then a bit more work is required. An interface from your PC soundcard to your radio is required. Unfortunately, the Soundcard was not designed as a radio interface and this is the trickiest part of PSK31 setup. Not all soundcards have the same inputs and outputs. Few radios have the same connector and signal pinouts, and so the PSK31 operator must be a little creative and dust off the soldering iron, buy a few connectors, and other assorted parts.

The basic setup is shown here. The serial port PTT control is optional. One can also use the radio VOX for control or manually activate the transmitter.

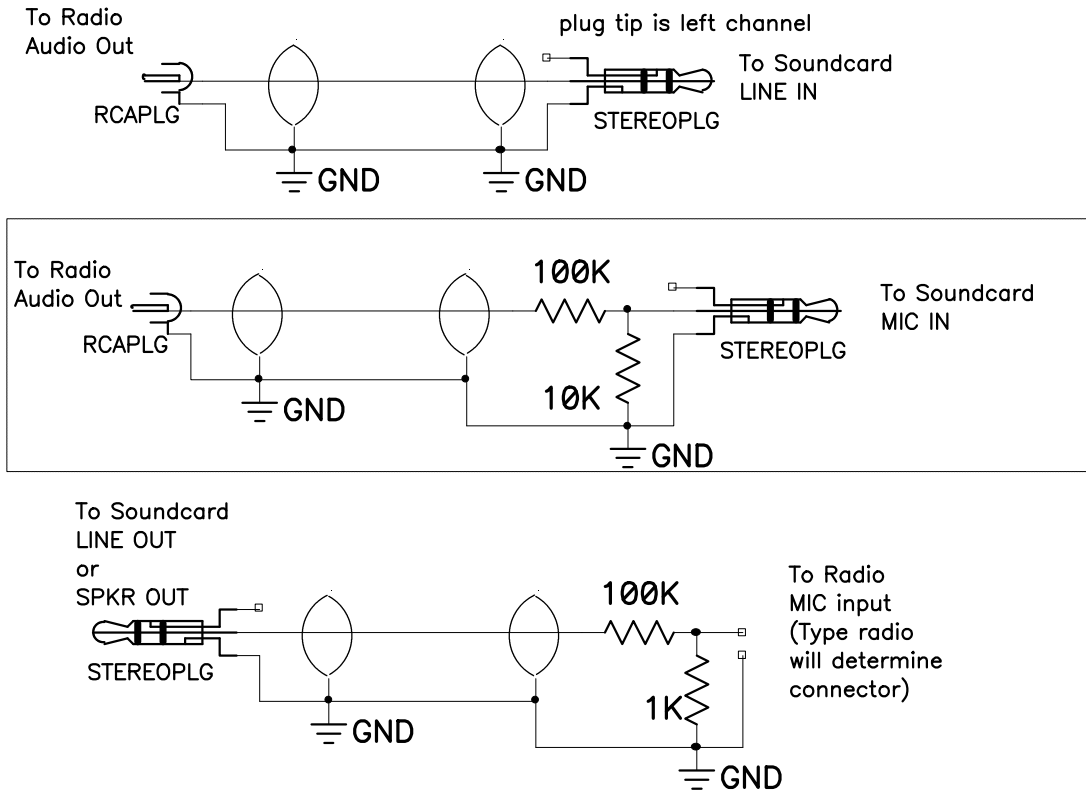


2.1. Sound Card / Radio Interface

Most soundcards that work under Windows should work okay with WinPSK. It needs to be a 16 bit type with preferably a "line IN" jack and perhaps a "line OUT" jack as well. The 16 bits refers to the audio resolution and NOT the PC bus type which can be ISA, PCI, USB, etc. as long as it is supported by Windows. The most expensive sound card is not always the best in terms of audio quality. Many \$10 soundcards have better audio specs than the expensive "do everything" soundcards.

First lets look at the radio receive audio to soundcard connection. Most radios have an audio out jack on the back. Try to use a source that does not vary when you adjust the receiver volume. If your sound card has a "line IN" jack all that is needed is to run a shielded cable from the radio audio out to the line IN jack on the soundcard. If the soundcard only has a "MIC" input then you may have to attenuate the signal with a simple 2 resistor divider. Mic inputs vary. Some have a single audio input with the other channel used to supply power for a microphone. Usually the tip is the audio input.

The audio jacks on soundcards are the stereo type with two separate channels. WinPSK operates in the monophonic, single channel mode so either the "Right" or "Left" channel connection can be used. A typical cable wiring scheme is shown here. This is only a starting point. Your rig may require different connectors or attenuation.

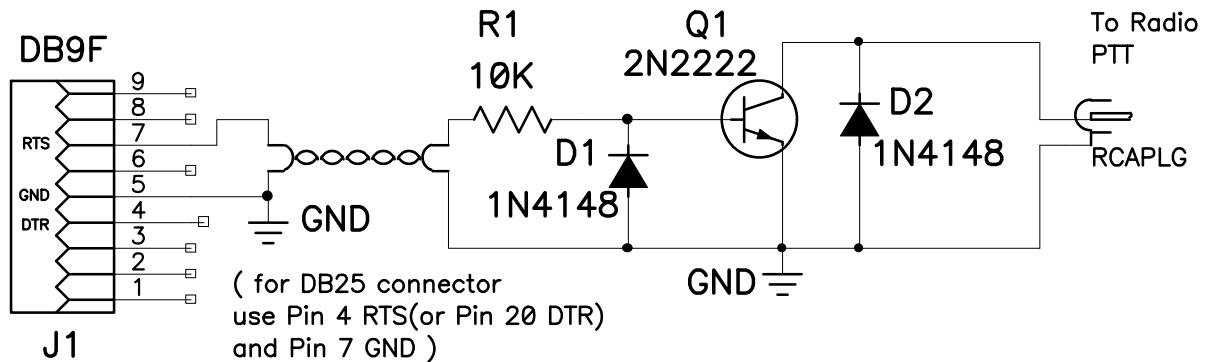


2.2. PTT Interface

One can use their radio's VOX control for PTT (be careful because other Windows programs may create sounds and beeps that will key up your transmitter!). Alternatively, one could just manually key their transmitter **before** placing WinPSK into the transmit mode.

If your computer has a spare serial COM port, a simple circuit such as the one shown can be used to key the transmitter automatically. The parts values are not very critical and you can substitute just about any NPN transistor and diode for the ones shown.

To Computer
Serial Port



3. Program Setup

Before going on the air, you should enter your call sign using the "Settings" -- "General Setup" menu. Here you can enter your call and some other program setup items such as the COM port PTT settings. Your call sign should now appear at the top of the WinPSK screen instead of the text "Call Sign Not Set"

Most of the settings including last used TX and RX frequencies, display settings, etc. are saved upon program exit in the Window's registry.

Hint: If you wish to start fresh, run "regedit and find the "HKEY_CURRENT_USER\Software" folder for a registry key called "AE4JY Software", select it and hit delete. WinPSK will start up next time using the default settings.

It's a good idea to make sure your sound card is installed properly and is working correctly before tackling the WinPSK soundcard level setup. Use the built in wave file player and recorder to get familiar with your sound card's mixer settings and capability. It can be activated from within WinSPK by going to the "Settings" menu and clicking on either the Rx or Tx Level adjust item. (If you are using NT or Win95, you will have to manually select the record option in the mixer control to set the receive volume) The mixer control is used to set both the receive audio level to the WinPSK program as well as set the "course" level setting to your transmitter. One should use their radio's mic gain for fine adjustments. The RECORDER mixer settings are used to control the receive audio level while the PLAYBACK mixer settings are used to set the transmitter audio level.

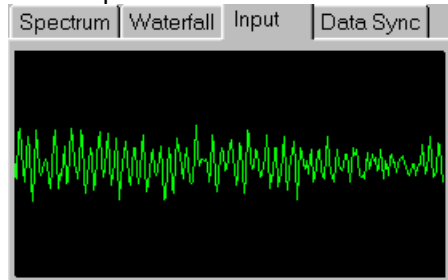
It is also a good idea to disable all the various Windows sounds, especially if you are using VOX PTT control.

3.1. Receive Audio Input Level

Once the interface is connected, the first thing to do is set your receive audio level. Tune your radio to a loud signal or carrier. Bring up your soundcard's Mixer program (or use the one that comes with Windows). The Mixer's RECORDER settings are the ones to use for adjusting the Receive audio levels. Select either the LINE or MIC IN control and set it mid way.

Click on the WinPSK Signal Display TAB labeled "Input". Adjust your recording Mixer controls for a signal display that is about half screen size on peaks. If the level is too high, the signal display will turn red. Here are some example settings:

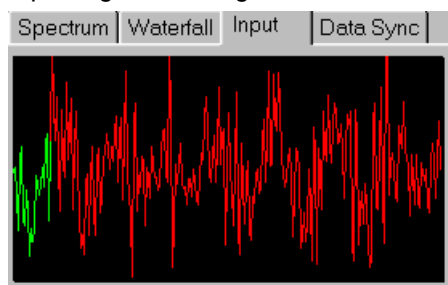
Good Input level



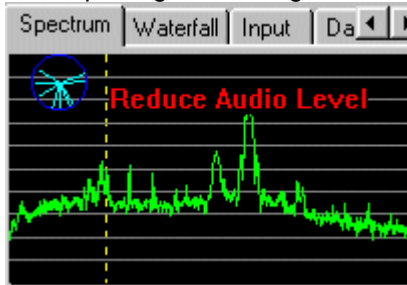
Input Signal Too Low



Input Signal Too High



Input Signal Too High



If in one of the spectral signal views, a red message will warn of too high audio.

You should now be able to start receiving PSK31 signals from off the air. Use one of the spectrum signal displays and just left click the mouse cursor close to a signal peak that looks like a PSK31 signal. Make sure the AFC is checked and the correct PSK31 mode(probably BPSK) is selected. Click on the bottom part of the squelch control until it turns yellow. This will "open" the squelch if it is set too high. Text should appear in the RX text window. See the section "Main Screen Overview" for a screen shot of a typical signal display while receiving.

3.2. *Transmit Audio Level Adjustment*

This is probably the trickiest part of PSK31 setup because one cannot see the actual signal spectrum coming out of their transmitter. You must guess at a good level then get someone to give you a critical signal report over the air. The Mixer's PLAYBACK settings are the ones to use for adjusting the transmit audio levels.

Compounding the problem is the fact that the soundcard is producing around 1 volt of audio and the typical transmitter Microphone input needs only a few millivolts to drive it. One must be very careful to attenuate the soundcard signal by about 1/1000 before attempting to drive the microphone input.

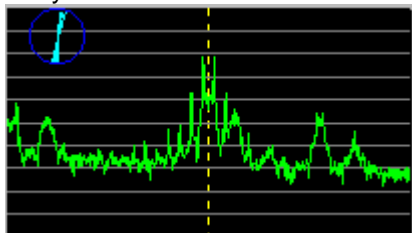
A good rule of thumb is to not have any level control near it's extreme. The mixer control should not be at it's maximum or minimum and your radio MIC gain should not be at either extreme. If they are, then you may have to try a different resistor ratio in your cable's attenuator.

The correct setting will vary from radio to radio. In general one should not drive the transmitter anywhere near it's rated power at least not at first. If you must error, error on under driving your rig until you are comfortable that your signal is clean then try bumping it up and see where your signal starts "getting wide" as observed by the receiving station.

Example of a good strong PSK signal. The noticeable sidebands are way down in amplitude.



Example of a PSK31 signal that is "Too Wide", probably from being overdriven. There are sidebands only about 15 dB down and the signal is interfering with another PSK31 station just above it in frequency.

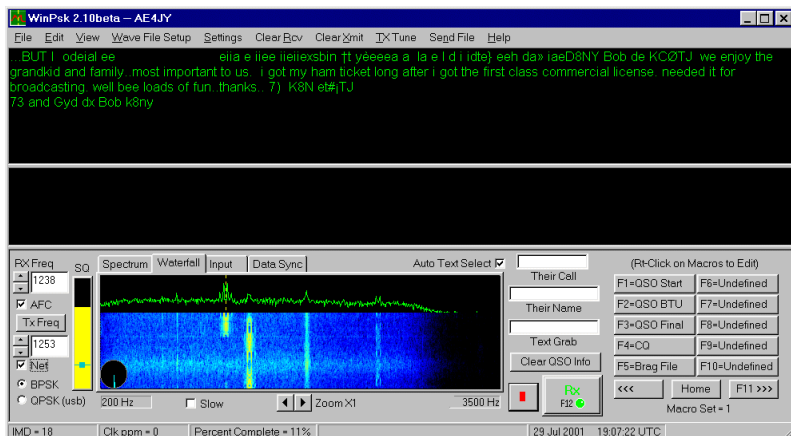


4. WinPSK Reference

This section contains a detailed description of all the WinPSK features and controls.

4.1. Main Screen Overview

Here is a live screen shot showing all the major program controls.



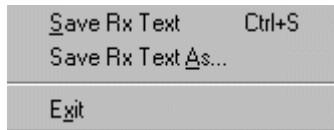
4.1.1. Window Size Setup

The size of the overall program frame can be adjusted by clicking and dragging the mouse cursor on the lower right hand "grabber" icon or moving the any edge of the frame with the mouse.

Internally, the vertical size of the receive text window and transmit text window can be adjusted by clicking and dragging the bottom of either frame. These sizes interact so it will take a bit of twiddling to get the three main windows the way you like. Try working from the top window down to the bottom window. The screen settings and position on your monitor are saved so you should only have to do this once.

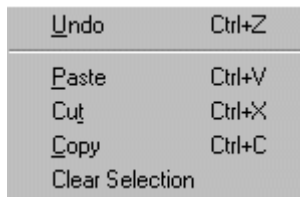
4.2. Menu Items

4.2.1. File Menu



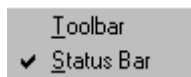
This menu is used to exit or to save off the current receive window text as a *.txt file. This is useful for archiving sessions of WinPSK or for logging purposes. The text file that is saved off can be viewed and edited using any text editor such as Notepad.

4.2.2. Edit Menu



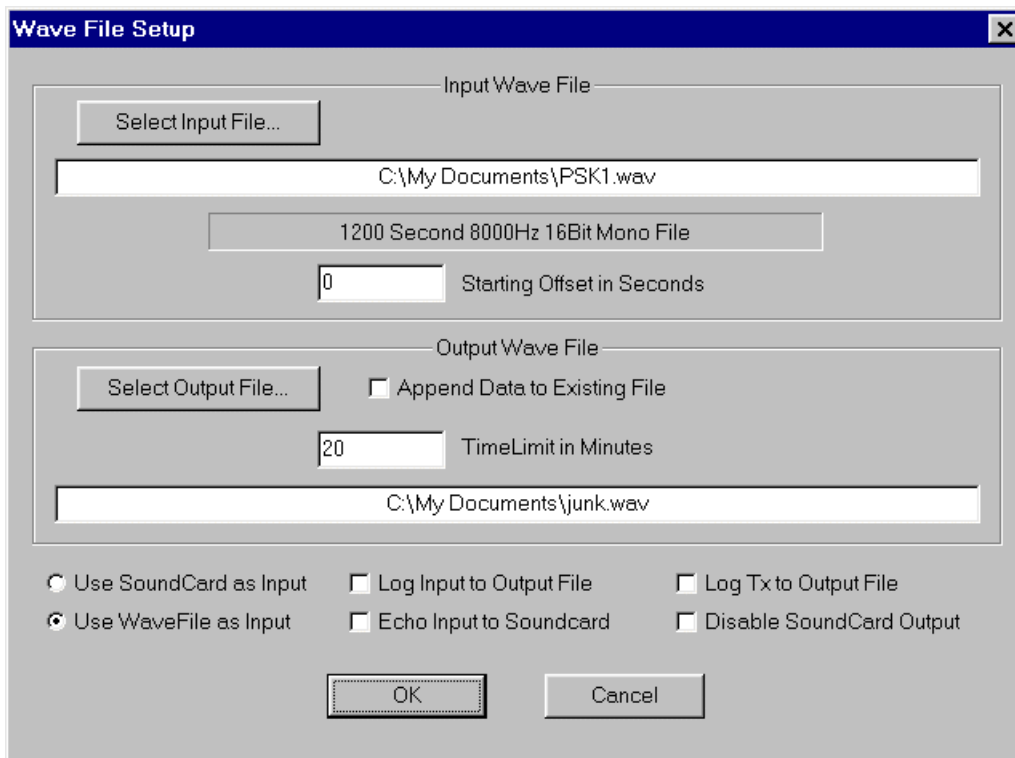
The edit menu is the standard clipboard management menu for copying, pasting, cutting and clearing text from the Windows clipboard. The undo function is quite limited but may restore an accidental cut or paste operation.

4.2.3. View Menu



This menu allows one to hide either or both the clipboard toolbar or the bottom time/status bar.

4.2.4. Wave File Setup



This menu allows the user to specify the data source for the PSK31 decoder and/or the destination for the PSK31 transmit audio data. Either the soundcard audio or a RIFF wav file can be used as input or output. Only 8000Hz sample rate 16 bit mono wave file formats are supported.

The "Select Input File.." button pops up a file selection dialog box to select the desired input wave file.

After selecting the input file, the file's length in seconds is shown in the status box. Below that, one can specify a time offset in seconds in which to start decoding. This is useful to be able to move to any position within the file.

The "Select Output File.." button pops up a file selection dialog box to select the desired output wave file name. A time limit can be imposed on the output file in order to keep from exceeding ones disk space. Every minute of wave file recording takes roughly 1 megabyte of disk space.

Various combinations of input and outputs can be selected. Either the soundcard or a wave file can be selected as the decoder source.

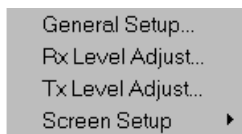
The "Log Input to Output File" checkbox will save the input audio data to the specified output wave file.

The "Echo Input to Soundcard" checkbox will echo the input audio data to the soundcard output.

The "Log Tx to Output File" checkbox will save the Transmit audio data to the specified output wave file.

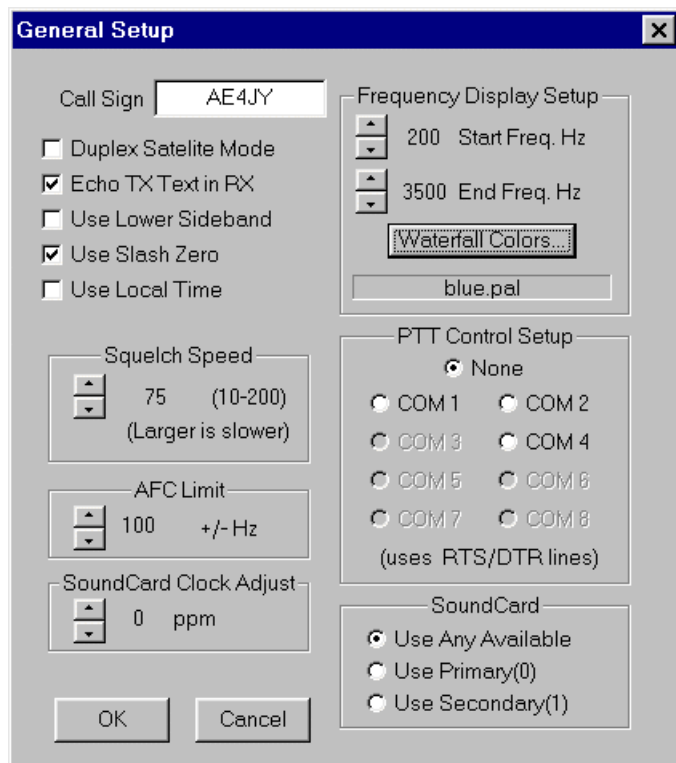
The "Disable SoundCard Output" checkbox will inhibit the transmit audio from going to the sound card output.

4.2.5. Settings Menu



This is the Main menu for all the setup and configuration options. Clicking on one of the main items will bring up another menu or function.

4.2.5.1. General Setup



4.2.5.1.1. User Call Sign

The user's ham call sign should be entered in the edit box. It is converted automatically to upper case letters. This call sign string is used by macros to insert your call sign into macro messages and CW ID. It also is displayed at the top of the program screen.

4.2.5.1.2. Duplex Satellite Mode

Checking this box will enable full duplex Rx and TX operation as well as invoke a special fast AFC mode that can track BPSK signals with up to +/-20Hz/Sec Doppler shift.

4.2.5.1.3. Echo TX Text in RX

If this box is checked, all text that is transmitted will be copied into the Receive text window. If Unchecked, the transmitted text will remain in the TX text window until the program goes back into receive mode.

4.2.5.1.4. Use Lower Sideband

Check this box if you are using lower sideband mode. It is only needed if you are using QPSK mode. BPSK mode does not matter.

4.2.5.1.5. Use Slash 'ZERO' character

Check this box if you wish text to display a zero with a 'slash' mark through it rather than a standard zero character. This makes it a bit easier to distinguish the letter O from a number Ø. The actual character transmitted is still the ASCII character zero.

4.2.5.1.6. Use Local Time

If this box is checked, the local time instead of UTC time will be displayed and used by the macros.

4.2.5.1.7. Squelch Speed

This control allows the user to adjust how fast the Squelch control responds. The bigger the number the slower the action. In poor signal conditions, the slower squelch is better.

4.2.5.1.8. AFC Limit

This sets how far the AFC control will follow a signal. It places boundaries of +/- limit Hz on the AFC operation.

4.2.5.1.9. Frequency Display Setup

This allows the user to select the minimum and maximum frequency range to be displayed. Normally this should be the range of one's IF filter. Displaying spectrum outside the passband of your receiver wastes screen area.

The Waterfall Color button invokes a dialog box to select a palette file(*.pal) that can be used to change the color scheme of the waterfall display. The palette file format is compatible with Nino Porcino's "Stream" program palette files and so one can use them or make their own using a text editor like "Notepad".

The file consists of 256 lines where each line contains three comma separated numbers representing the intensity of RED, GREEN, and BLUE. Each numbers range is 0 to 255, where 255 is maximum intensity.

Each line represents a signal level where the first line is maximum signal strength and the last line represents the minimum signal strength.

The program defaults to a standard color scheme if no file is ever specified or if a filename is given that does not exist.

4.2.5.1.10. Sound Card

This allows one to chose an alternate sound card if one has more than one installed.

4.2.5.1.11. PTT Comm Port Setup

This dialog is used to enable the use of the PC serial port for turning on and off your transmitter. The RTS or DTR signal pins are set high(+8 to +12 volts) when the transmitter is to be activated and are low(-8 to -12 volts) when receiving. See the hardware setup section for details on using these signals for PTT. If no serial port is available, all the selections will be grayed out.

4.2.5.1.12. Sound Card Clock Adjust

This control is used to compensate for soundcards that are not on frequency. If the majority of PSK31 signals you are receiving have a "Clk ppm" value greater than about 1000ppm as displayed on the lower status bar, then you need to increment(or decrement) this adjustment value by roughly the negative of that value.



No IMD Reading | Clk ppm = 200 | 26 May 2000 0:28:54 UTC

Example: If most of the signals you receive are displaying around -1800 as shown above for the "Clk ppm" value, then increment the SoundCard Adjustment value to +1800. Now most of the signals that you receive should be under +/-500ppm.

Remember that the "Clk ppm" value is ONLY valid while receiving a good quality PSK31 signal and it takes 10-20 seconds to get a good average value.

This method makes the assumption that the majority of soundcards on the air are on frequency which appears to be the case in actual monitoring during a busy weekend.

It appears that if a sound card is off it is off by over 2000ppm. Don't be concerned about clock errors under 1000ppm.

4.2.5.2. Rx Level Adjust

Activates your sound card's mixer setting program. In Windows 98 this will bring up the RECORDING menu of the mixer program. If you are using NT or Win95, you will have to manually select the RECORD option in the mixer control to set the receive volume.

4.2.5.3. Tx Level Adjust

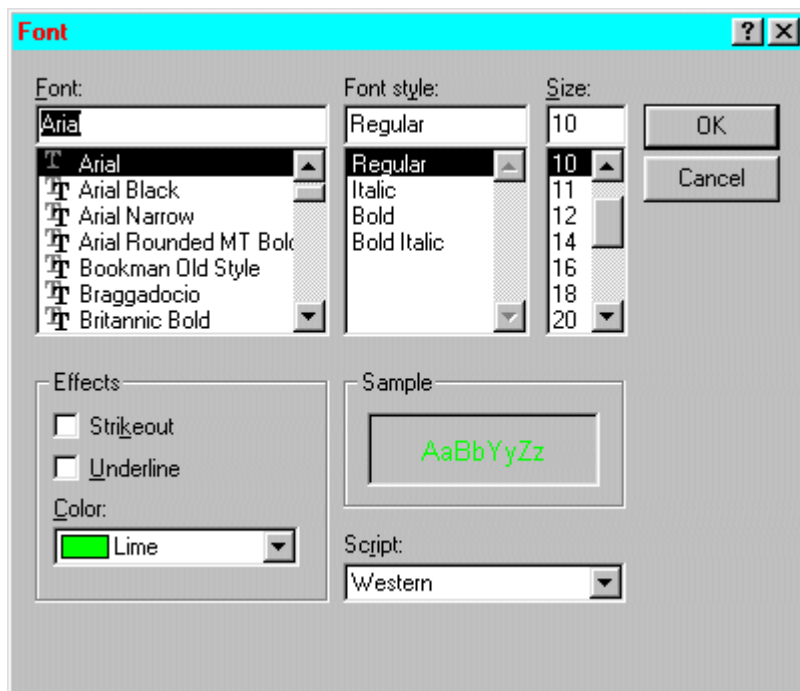
Activates your sound card's mixer setting program. In Windows 98 this will bring up the PLAYBACK menu of the mixer program. If you are using NT or Win95, you will have to manually select the PLAYBACK option in the mixer control to set the receive volume.

4.2.5.4. Screen Setup

Several items concerning the way WinPSK displays text can be modified to suit the user. Fonts, size and color can all be selected for the RX and TX edit windows.

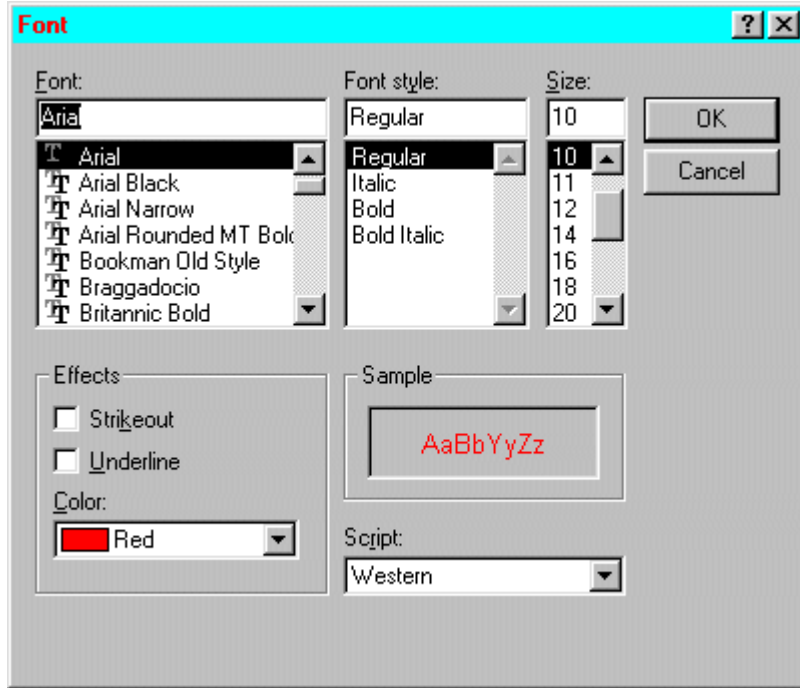
4.2.5.4.1. Receive Text Font

The following dialog is used to select the receive text window font and color. Many fonts are not suitable for PSK31 and may not contain the correct ASCII characters.



4.2.5.4.2. Transmit Text Font

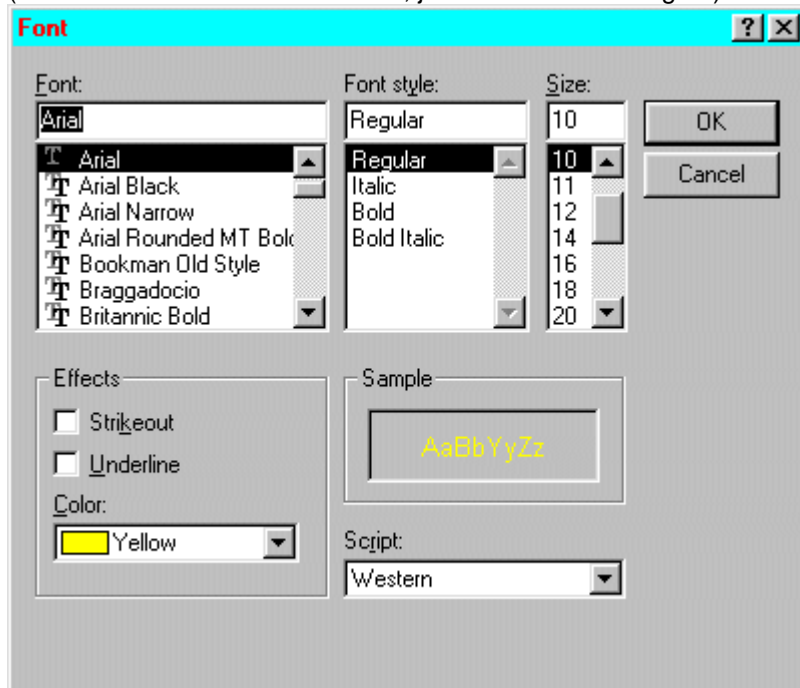
The following dialog is used to select the font and color for text that has yet to be transmitted. Many fonts are not suitable for PSK31 and may not contain the correct ASCII characters.



4.2.5.4.3. Sent Text Font

The following dialog is used to select the font and color for text that has already been transmitted. As text is sent to the transmitter, it's font is changed in order to distinguish it from text that has been typed ahead and not yet sent.

Also this font color is used in the receive window to distinguish between received and transmitted text. (The receive window font is used, just the color is changed)



4.2.5.4.4. Background colors

Both the receive text window and transmit text window's background color can be selected using the following dialog box. Some care must be exercised to make sure the font color has good contrast against this background color.



4.2.6. Clear Rcv Menu Item

This menu item will clear(permanently) the contents of the receive edit window. It can also be activated by pressing Alt-R.

4.2.7. Clear Xmit Menu Item

This menu item will clear(permanently) the contents of the transmit edit window. It can also be activated by pressing Alt-X.

4.2.8. Tx Tune Menu

This control will turn on the transmitter and output a single frequency tone. This can be used to tune ones transmitter for best SWR, etc.

Note: This is NOT a useful test signal for setting ones audio output level for minimum IMD. The PSK31 "idle" tones should be used for that. They can be generated by pressing the F12 Rx/Tx button and then not typing any characters. A steady two tone signal is then generated.

Pressing the TX Tune menu item while it is already in the Tune mode will turn it and the transmitter off.

4.2.9. Send File

Pressing this brings up a file selection menu. Selecting a text file will place the contents of that text file into the TX window. All of the macro keywords are available to use in a text file to be transmitted. This gives an almost infinite number of alternate macros to use.

4.2.10. Help Menu

This menu accesses this document or an "about box" that gives the program version information.

4.3. PSK31 Receiver Controls

4.3.1. Receive Text Window

This edit box is used to display PSK31 text as it is received and to display transmitted text after it has been sent. A different font color can be used to distinguish the two types of text.

The edit box is READ ONLY. This means you cannot type, drag, or paste text into this edit window. You can copy, drag, or save text FROM this box.

The "Auto Text Select" mode allows callsigns and names to be entered into their respective edit boxes with a simple double-click of the left mouse button over the word in the Rx window. This feature is useful for snagging a callsign or name from the received text and placing it into the appropriate edit box.

If not using the "Auto Text Select" mode, text can be selected by double clicking in the desired word. It will become highlighted and you may copy this into the clipboard(Ctrl-C) or drag it to the transmit edit box, the "Their call" edit box, or into another application.

When the text is selected, you have about 10 seconds to act upon it or it will deselect itself and the receive window will go back to normal operation. This prevents the user from accidentally leaving some text highlighted which prevents normal PSK31 text reception.

The entire edit box can be erased(permanently) using the Clear Rcv menu item or press(Alt-R).

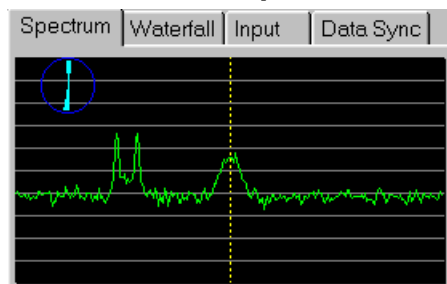
The top window shows some received text in green. The yellow text is text that has been sent(including the timestamp information). The bottom window is the Transmit text window with text that has NOT been sent yet in red.



4.3.2. Signal Display Window

The Signal display window is a graphical screen that is used for displaying various signal views of the received or transmitted signal. Different views are selected by using the labeled TABs at the top of the display area.

4.3.2.1. Spectrum View



The Spectrum view is probably the most useful of the signal displays. The amplitude versus frequency of the incoming receiver audio is displayed giving the user a way to see all the various signals

within most of the audio bandwidth of the receiver. The 10 vertical gradient lines on the screen each represent 10 dB steps in amplitude.

This display also has a dotted vertical cursor that represents the current PSK31 receiver center frequency. The mouse cursor changes to a cross while in the signal view screen area. If one left clicks the mouse button, the dotted vertical line will move to the new frequency under the mouse cursor. If the frequency cursor is close to a signal and AFC is enabled, the cursor will move and try to center itself onto the closest signal. If the signal is a PSK31 signal, decoding will begin.

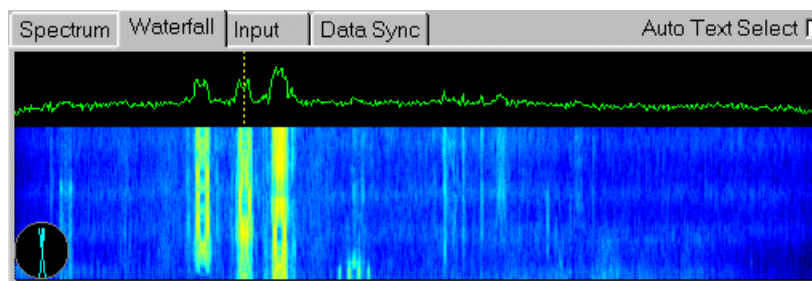
A zoom control at the bottom of the screen can be used to look at smaller or larger areas of the spectrum. The spectrum display will zoom about the current frequency cursor position. If possible, it will also center the display around the frequency cursor as well. The lowest and highest displayed frequencies for the current zoom settings are displayed at the bottom of the screen.

A check box labeled "Slow" can be activated that will smooth out the spectral display. The down side of the slower display is that fast changing signals will not be seen and the spectrum will "Smear" if the transceiver frequency is changed while viewing.

A mini vector display appears in the upper left corner to aid in finding PSK31 signals.

Right clicking the mouse cursor will change the receive frequency just like the left button, but will also "rewind" the received audio data about 25 seconds allowing one to go back in time and decode any signal that was received in the last 25 seconds or so. This feature is more useful in the waterfall view described below.

4.3.2.2. Waterfall View



The waterfall view is like the main spectrum view except that the amplitude of the input signal is displayed as the brightness/color of one horizontal line of the display. The stronger the amplitude the brighter the display(color shifts from blue to cyan to yellow to white with increasing amplitude). Also as time marches on, each horizontal frequency sample line shifts down and a new one is placed at the top. The affect is like a waterfall, where the signals seem to be cascading down the screen.

A PSK31 signal will produce a fairly narrow "snail trail" down the screen that can be used for tuning on just as with the spectrum screen using the mouse and dotted line frequency cursor and zoom controls. The advantage of this display is that it gives a history in time of the signal over the last several seconds. The disadvantage is that it is difficult to judge the signal intensity just using its screen brightness and color.

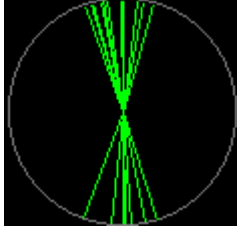
A mini vector display appears in the upper left corner to aid in finding PSK31 signals. A smaller spectrum view is also shown at the top of the waterfall.

Right clicking the mouse cursor will change the receive frequency just like the left button, but will also "rewind" the received audio data to the spot where the mouse cursor is located. This allows one to go back in time and decode any signal that was received in the last 25 seconds or so.

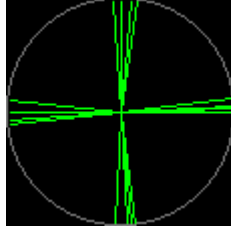
4.3.2.3. Vector View

The superimposed vector view is useful for determining if a signal is a PSK31 signal and what mode is being used. The following examples show what various signals look like on the vector display and what they mean.

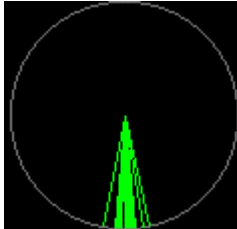
Properly tuned BPSK Signal.



Properly Tuned QPSK Signal



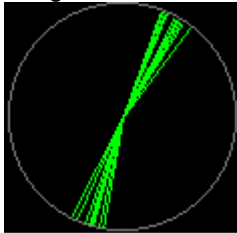
BPSK or QPSK "idle" Signal.



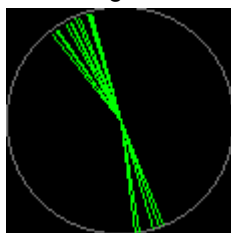
Un-modulated carrier



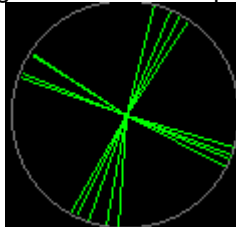
BPSK Signal too low in frequency.



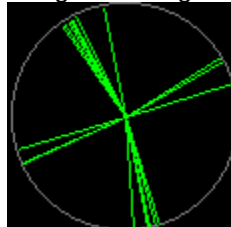
BPSK Signal too high in frequency.



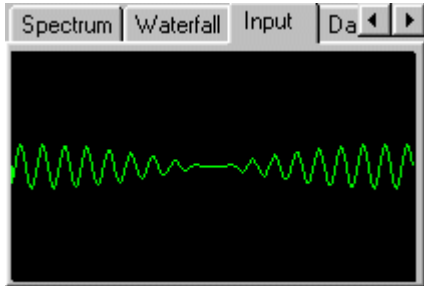
QPSK Signal too low in frequency.



QPSK Signal too high in frequency.

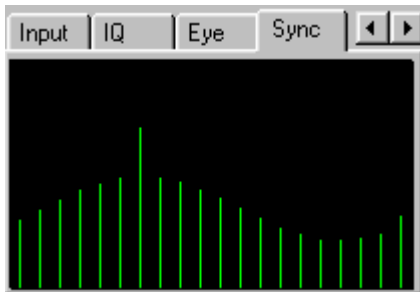


4.3.2.4. Input View



The Input view is a scope like view of the raw input signal. The vertical axis is amplitude and the horizontal axis is time. On strong PSK31 signals you may catch a glimpse of the sine shaped signal pulse. The primary use of this view is to adjust the receiver/soundcard input level. If the input levels are too high, the displayed signal turns red. One should adjust the level so that signal peaks don't reach the red state level.

4.3.2.5. Sync View



The sync view shows a histogram of the internal signal used to determine the center of the received bit. An elongated line marks the sample that WinPSK is using which is at the peak of the histogram. This display is useful because it can indicate whether the incoming signals bit clock is off frequency (or the users soundcard is off frequency).

If the bit center position is drifting across the screen about every 15 seconds or so, then either the user's or the senders soundcard is probably off frequency. The program will still receive data but with some degradation. One can go to the General Setup Menu and compensate for off frequency soundcards.

4.3.3. RX Frequency Control



The RX frequency edit control consists of a small edit box where a new frequency can be typed in, or the frequency can be moved up or down using the spin controls just to the left of the edit box. When

typing in a new frequency, the new number will not take affect until the cursor has moved out of the edit box by clicking somewhere else on the screen.

Turn AFC off if you wish to manually adjust the receive frequency. Clicking the mouse left button while the cursor is in one of the spectral displays will change the RX frequency to the value under the mouse cursor position in the spectrum.

The vertical yellow dotted receive frequency cursor will reflect the value of the new RX frequency.

4.3.4. AFC Selection



This control activates the Automatic Frequency Control function. It is activated by clicking on the control or pressing the up/down arrow keys. WinPSK will try to adjust the receive frequency to the center of the PSK31 signal.

Distorted PSK31 signals due to propagation or poor transmitting stations may not allow the AFC to lock correctly at their center frequency. If this happens, then deactivating the AFC and manually tweak the RX frequency spin controls until the signal is tuned in correctly as indicated by the little vector display in the signal view screen.

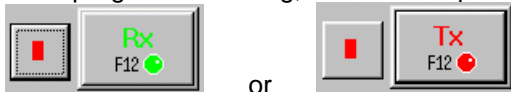
4.3.5. Program Start/Stop Control

A control button next to the Rx/Tx control button is used to start and stop the program operation. This feature is needed to be use wave files as input and output instead of the usual soundcard. The button toggles the program ON and OFF by clicking on it.

If the program is stopped, the RX/TX button is grayed out and the Start/Stop button is a green arrow. Clicking on it will start the program.



If the program is running, the Start/Stop button is a red block. Clicking on it will stop the program.



4.3.6. PSK31 Mode Selection



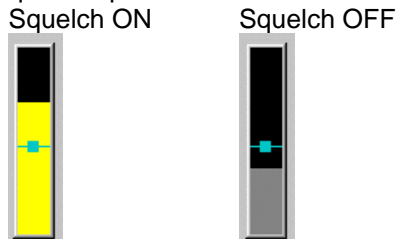
Two PSK31 modes may be selected using the check boxes at the lower left part of the screen.

BPSK---Binary PSK mode that does not have forward error correction but is probably the most common mode on the bands. It can be identified by it's two vertical lines in the "Vector" signal view window.

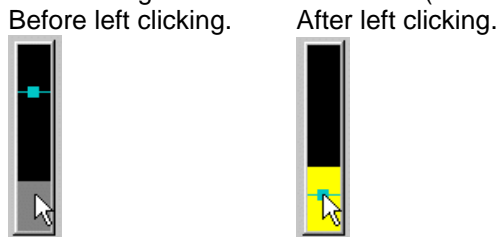
QPSK---Quadrature PSK mode that has forward error correction but is a little harder to tune. It can be identified by it's two vertical lines and two horizontal lines in the "Vector" signal view window. It is also sideband sensitive. If you need to use lower sideband, then check the "Use Lower Sideband" box in the "General Setup" menu.

4.3.7. Squelch/Quality Control

The squelch control can be used to set a signal quality threshold and inhibit reception until the signal exceeds a specified level. This can reduce a lot of "garbage" characters from cluttering up the screen. The control consists of a vertical bar that grows longer from the bottom depending on the signal quality. A small bluish horizontal bar indicates the current squelch threshold. If the signal level exceeds this bar, then the received characters will be shown on the screen. It also changes color from gray to yellow when the squelch opens.



The squelch threshold is set by simply placing the mouse cursor inside the control at the desired level and clicking the left mouse button. (Don't try to drag the bar, just click to the desired new position.)



4.4. PSK31 Transmit Controls

4.4.1. Transmit Text Window

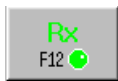
The transmit edit box is where text is typed, pasted, or dragged to be transmitted. As characters are transmitted, a user selectable font and color can be used to distinguish the sent text from text that has not yet been sent.

If a macro is invoked, it will place it's text in this edit box as well. Text cannot be copied or dragged FROM this edit box. Text can be selected in the middle of the message and new text pasted or deleted but is not recommended since it can mess up the transmitted text order. If you make a mistake in typing, the backspace key should be used to delete and then retype the text. This works even if the text has already been sent. A backspace character will be sent so the receiving end will get the corrections as well.

The entire edit box can be erased(permanently) using the Clear Xmit menu item or press(Alt-X).

4.4.2. PTT Button

This is the main control for toggling between the transmit and receive mode of operation. The user can click on it with the mouse or hit the F12 key to switch between modes. An "LED" like indicator blinks red while transmitting and is a solid green when receiving.



Changing from Transmit to Receive is performed by pressing the flashing Tx button. The button will then change to a flashing "Finish" state which means that the transmitter is finishing sending any remaining text and CW ID. Pressing the button again while in this state will immediately abort the transmission without waiting for remaining characters.



If the "TUNE" button is activated, the PTT button displays this state and the LED turns RED indicating the transmitter is active but just sending a steady carrier for tuning purposes.



4.4.3. TX Frequency Control



The TX frequency edit control can take on two different modes. Clicking on the button just below the AFC checkbox will toggle between either the direct transmit frequency or a mode where an offset frequency from the Rx frequency can be specified.

The TX frequency edit control consists of a small edit box where a new frequency can be typed in, or the frequency can be moved up or down using the spin controls just to the left of the edit box. The new frequency will not take affect while transmitting.

When typing in a new frequency, the new number will not take affect until the cursor has moved out of the edit box by clicking somewhere else on the screen.

The Tx Offset mode is useful for transceivers that may have an offset of several Hz between the transmit and receive frequency. This can be entered into the edit box and the program will remember this offset and adjust the transmit frequency relative to the current Rx frequency when transmitting.

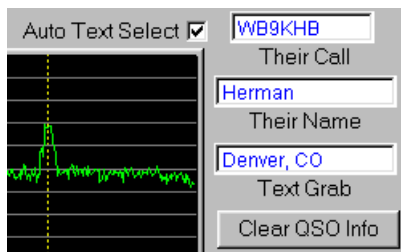
4.4.4. NET Function



The NET function forces the transmitter to use the current Receiver frequency. The transmitter grabs the latest RX frequency when the PTT control is activated at the beginning of a transmission. At this time, the TX frequency edit box will be updated to the new value as well. If both the transmitting and receiving station have this NET function enabled, there is a tendency for both stations to slide in frequency across the band. If neither station uses the NET function, the affect is operating split frequency, which is not normally desirable.

Perhaps the best solution is for the station that is initiating a contact or calling CQ to leave the NET function off and be the master frequency and let the called station always track the master. The signals can still drift if the "master" transmitter wanders around but at least it is limited to one stations drift which should only be few Hertz. If in doubt, make sure both the AFC and the NET boxes are checked.

4.4.5. QSO Information Edit Boxes



The QSO information edit boxes provide a quick means to enter current QSO information for use by the macros. Information such as call sign, name, and general text such as their QTH can be quickly entered into these edit boxes by selecting the text from the Receive window.

4.4.5.1 Their Call Edit Box

The "Their Call" edit box is a small text edit box that is used by the WinPSK macros as the call sign of the station that you are contacting. Any text typed, dragged, or pasted into this box will be transmitted by the macros 'theircall' keyword for the other stations call sign. Probably the easiest way to use this box is to use the "Auto Text" mode where double clicking the left mouse button on a call sign in the Rx Window will automatically place it in the Their Call Box. It will be converted to upper case and used until another call is entered into it. The way the program distinguishes a call sign from a name is by whether the text contains a numeric value.

The text in this box is not saved upon program exit.

4.4.5.2 Their Name Edit Box

The "Their Name" edit box is a small text edit box that is used by the WinPSK macros as the name of the person that you are contacting. Any text typed, dragged, or pasted into this box will be transmitted by the macros 'theirname' keyword for the other stations name. The easiest way to use this box is to use the "Auto Text mode. Double click the left mouse button on the person's name if it appears in the Rx

Window and it will automatically be placed in the Their Name Box. . The way the program distinguishes a call sign from a name is by whether the text contains a numeric value.

The text in this box is not saved upon program exit.

4.4.5.3 Text Grab Edit Box

The "Text Grab" edit box is a small text edit box that is used by the WinPSK for inserting any small text string such as QTH information. Any text typed, dragged, or pasted into this box will be transmitted by the macros 'textgrab' keyword. The easiest way to use this box is to use the "Auto Text mode. Select the text to be captured using the mouse and holding down the left mouse button. Once selected, just press the right mouse button and it will automatically be placed in the "Text Grab" Box. The text in this box is not saved upon program exit.

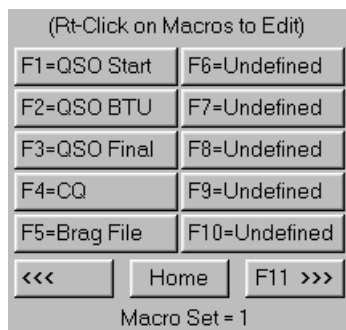
4.4.5.4 Auto Text Select

Checking this button enables the auto text feature for capturing text from the RX window. Disabling it allows normal clipboard text selection.

4.4.5.5 Clear QSO Info

Pressing this button will clear the "Their call", Their Name", and "Text Grab" edit boxes.

4.4.6. Macros



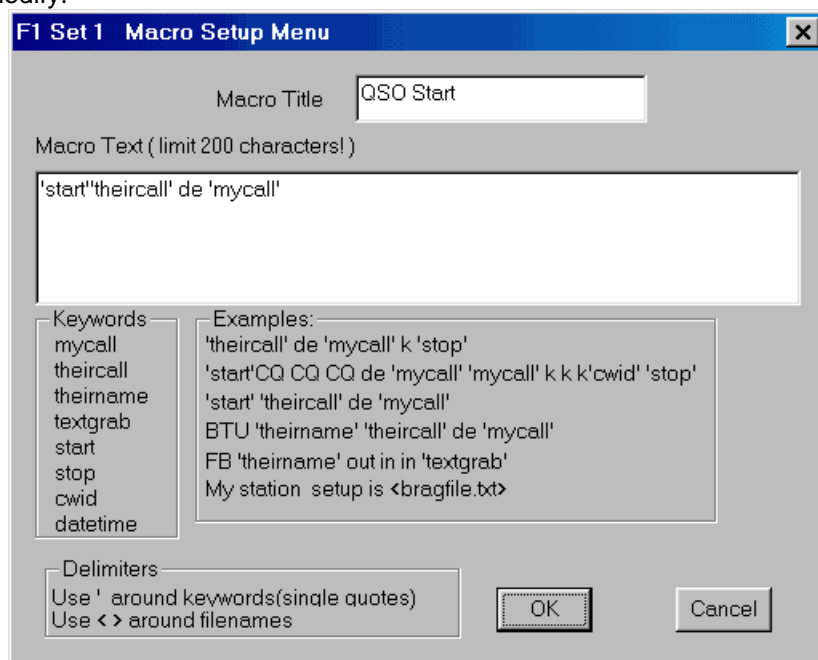
Forty WinPSK Macros are available to aid in transmitting commonly used text phrases and for performing some program control functions such as sending a CW ID and terminating the transmission. After a macro has been set up, just by clicking on a macro button(or pressing F1 - F10), a user defined text string can be sent without having to type it each time.

Ten macros are active at any one time and their title is displayed along with their associated activation Function key. Pressing the left or right arrow buttons(or pressing F11) allows the user to activate another independent "set" of macros. There are four sets available giving a total of 40 macros. A Home key gives a quick way to return to the first set of macros.

If the mouse cursor is left motionless on any of the macro buttons, a help string pops up displaying the macro text. This is useful for identifying macros without having to enter their setup menu.

4.4.6.1. Macro Setup

The following menu pops up if you RIGHT-Click the mouse on the macro button you wish to examine or modify.



The top edit box is where you can place a short name for this macro that will show up on the macro button.

The big edit box is where you just type in the text you wish to send when the macro button is pressed. It has a 200 character limit. For long macro text, use a separate text file and the <filename.txt> keyword.

Eight keywords are used to insert special commands into the text. These keywords MUST be surrounded by single quote marks and MUST be all lower case. They perform the following functions:
 'mycall' will place the Users call sign that was entered during program setup into the text stream.
 'theircall' will place any text that was placed in the "Their Call" edit box into the text stream.
 'theirname' will place any text that was placed in the "Their Name" edit box into the text stream.
 'textgrab' will place any text that was placed in the "Text Grab" edit box into the text stream.
 'start' will force WinPSK to start the transmitter and send any text in the TX text window.
 'stop' will force WinPSK to stop the transmitter after the remaining text in the TX text window has been sent.

'cwid' will force WinPSK to add a CW id at the end of the current transmission.

'datetime' will place the time and date into the text stream.

Text files can also be sent by placing the filename in the macro text box encompassed with the < and > characters such as <brag.txt>. Don't get too carried away with this function. A large text file could take a long time to send. The text file can be created using any text editor such as notepad. Keywords are now recognized if they are INSIDE the text file. Also you can have several files in one macro. Example: 'start'<file1.txt><file2.txt>'stop'

Note: The text files MUST reside in the directory where WinPSK.exe file is located. Path names are not allowed in the filename.

There is some help located on the macro setup menu that shows some examples and also all the keywords that are supported.

4.4.6.2. Macro Use

Once a macro has been setup, it's best to try it out before going on the air to make sure it does what you want. When a macro button is clicked, its text is immediately placed in the TX text window for

transmission. If not in the transmit mode, you must activate the PTT button(F12) to start the text transmission or use the 'start' keyword in the macro itself..

4.5. Status bar



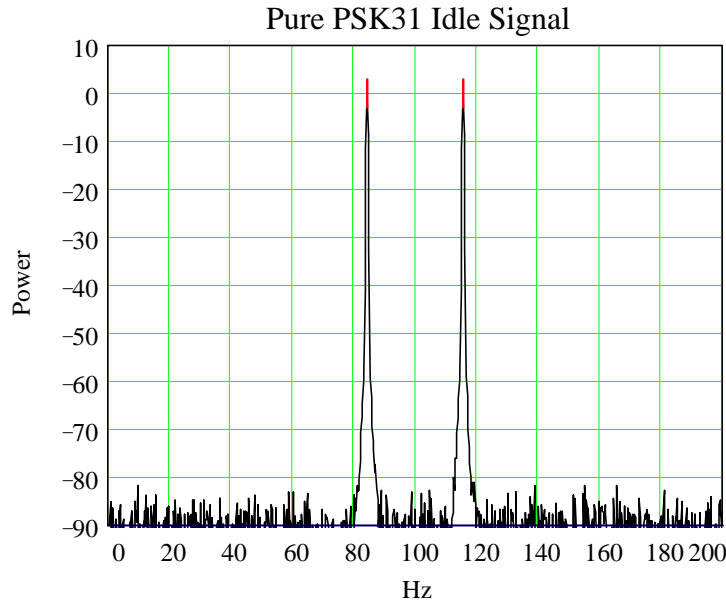
The bottom line of the program contains the UTC time and date, soundcard clock error and IMD reading. If a wave file is being processed, it displays the percentage of completion.

4.5.1 IMD Readings

One of the problems with PSK31 transmission is that most amateurs do not have the test equipment needed to measure the distortion in their transmitted signals. A spectrum analyzer is required to accurately measure the distortion products present in the transmitted signal. Currently one must rely on received signal reports to determine the quality of their signals. One method used is to calculate the IMD(InterModulation Distortion) on the received signal. Although not the ideal way, this method can be useful if one is aware of the limitations to this method.

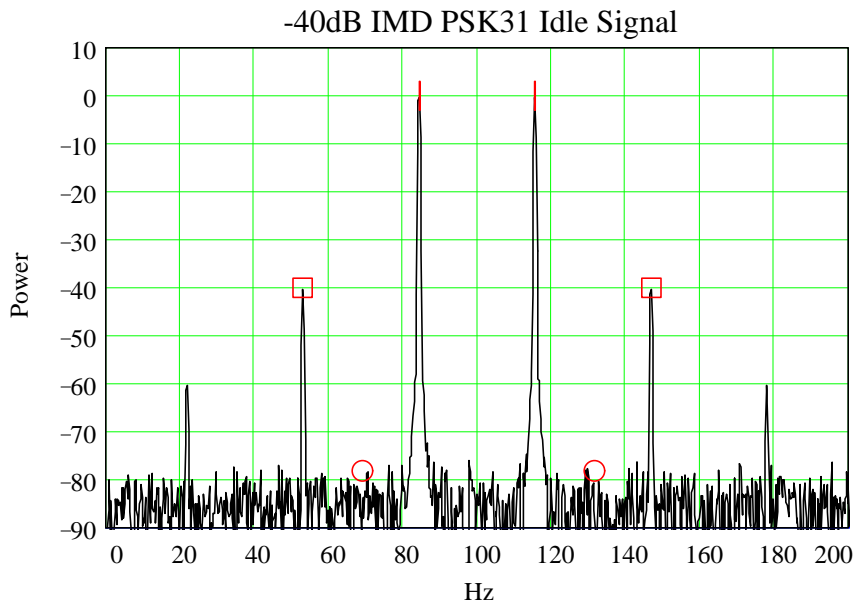
If one examines the PSK31 idle signal, it can be shown that the constant phase change of 180 degrees and the cosine shaped envelope of the signal generates two tones that are at the PSK31 center frequency +/- 15.625Hz. These tones can be used to measure the IMD of a transmitter.

The following shows a PSK31 idle signal with a center frequency of 100Hz. The two tones are at 100+/- 15.625Hz or 84.375Hz and 115.625Hz.

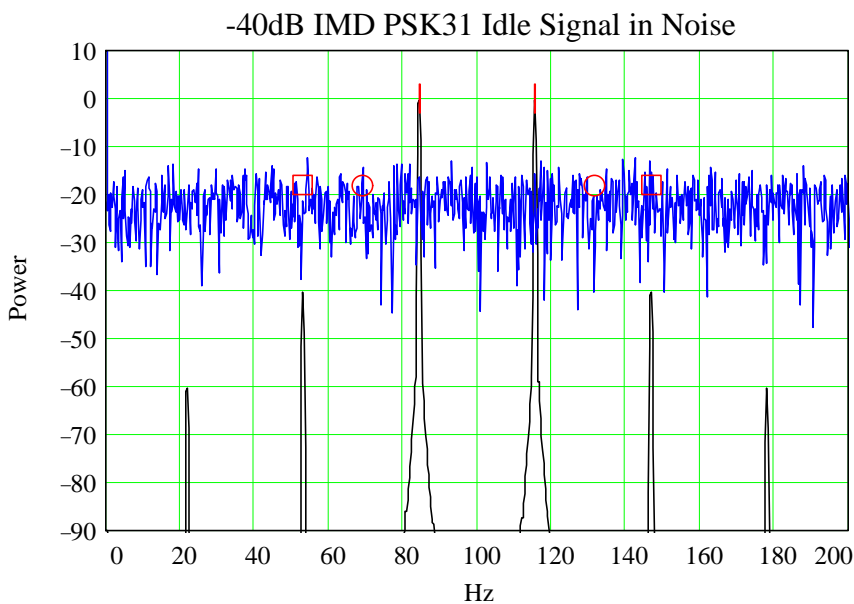


The third order product frequencies are $(2F1 - F2)$ and $(2F2 - F1)$ or 53.125Hz and 146.875Hz. The following shows a PSK31 idle signal with some 3rd (and 5th) order IMD.

By measuring the power difference between the original tones and the 3rd order IMD tones, one can provide a measurement as to how much distortion is on the signal. In this case, the IMD is -40dB since the original tones are at 0dB and the 3rd order tones are at -40dB.



This works well with a strong received signal but look what happens if the signal is weak in the presence of noise.



Note that if one measures the signal level at the 3rd order frequencies, then erroneous results are obtained because the noise level is higher than the distortion product. An IMD reading of -20dB will be obtained even though the signal is actually -40dB.

This is why it is important that the received signal be well above the noise floor before trying to obtain an IMD reading. Another factor is the HF propagation effects that also introduce errors into this measurement method. Remember, IMD readings are ONLY valid when the PSK31 "idle" signal is being sent.

Even though the IMD measurement is actually a negative number, WinPSK displays it as positive to eliminate confusion over whether a number is higher or lower. The bigger the positive IMD number the better the IMD.

4.6. Tool Bar

This tool bar, which can be hidden using the view menu item, contains tools for copying, cutting, and pasting to the clipboard. The RX text file save menu can also be activated as well as help from here.

4.7. Keyboard Shortcuts

The following table lists most of the keyboard shortcuts that can be used with WinPSK. Some are inoperable or have different meanings depending upon where in the program the user is.

Key	Function
→	Move to next highest frequency signal peak
←	Move to next lowest frequency signal peak
↑	Enable the AFC
↓	Disable the AFC
Page UP	Increase Signal view ZOOM factor by one
Page DN	Decrease Signal view ZOOM factor by one
Ctrl+A	Select ALL in the RX text Window
Ctrl+C	Copy any selected text into the clipboard
Ctrl+P	Brings up a print menu but does not print anything
Ctrl+S	Brings up RX Text Window file save menu
Ctrl+V	Pastes clipboard contents into activeText window.
Ctrl+X	Cuts selected text into clipboard
Ctrl+Z	Undo last clipboard operation
Alt+T	Turns on TX tune mode
Alt+E	Brings up Edit Menu
Alt+F	Brings up File Menu
Alt+H	Brings up Help Menu
Alt+R	Clears(permanently) all text in the RX Receive text window
Alt+S	Brings up Settings Menu
Alt+V	Brings up View Menu
Alt+X	Clears(permanently) all text in the TX Receive text window
Alt+N	Brings up transmit text file window
Alt+TAB	A windows hot key useful for flipping between programs
F1-F10	Invoke corresponding Macro in current set
F11	Increments through the Macro Sets
F12	Toggles the Transmit/Receive Button

5. Operation Hints and Tips

The best way to get familiar with WinPSK is to start playing with it and clicking away on things. In actual operation, learning to use the left, right, arrow keys for moving to the receive signal frequency is very handy. There usually is never a need to touch the mouse to be able to tune in a PSK31 signal.

The actual Transmit/Receive frequency is your USB radio dial frequency setting plus the audio frequency displayed in WinPSK. If using LSB, you subtract the audio frequency from your dial setting. For example if your transceiver is in the USB mode and reads 14070.00 KHz and your audio frequency is 1500 Hz, then your actual transmit/receive frequency is 14071.50 KHz.

The TX and RX frequencies are limited between 200 and 3500 Hz., however it is best to stay away from the edges because transmitters may have some frequency limitations as well as some soundcards. (This may explain some of the weird asymmetric signals observed from time to time)

Don't send all your text as UPPER CASE letters. PSK31 was designed to send the most commonly used letters such as 'e' and 't' much faster than lesser used letters such as 'z'. Uppercase letters take a LOT longer to send and just slow down your transmission. Type as you would normally and capitalize letters as needed. A common practice is to send call signs in upper case. WinPSK converts your call and "Theircall" to upper case automatically when using macros.

Make sure your PC time and date are set correctly. WinPSK assumes your PC's date, time, and time zone settings are correct.

If you need more screen area, go to the View menu and un check the toolbar and status bar views. This will give a bit more area for the program. Adjust the screen size so the bottom part of the screen does not have a scroll bar since that wastes room as well. Also if try using the small display fonts option in the Window's Display Setup.

Use the drag and drop capability of WinPSK with care. Dragging text into the transmit edit box while transmitting or into the middle of the transmitted text is asking for trouble. It's best to do all the "draggin and dropin" BEFORE starting a transmission. The same goes for pasting text from the clipboard into the TX text window while transmitting. If you must do it, make sure you paste at the end of the text.

Try using the QPSK mode when conditions get rough. In many circumstances, using QPSK will greatly improve reception due to it's error correcting capability. WinPSK was designed to tune in QPSK signals as easily as BPSK.

IMD measurements are only guidelines at best. They are ONLY valid when the incoming signal is VERY strong, only during several seconds of PSK31 "idle" transmission, and the propagation path is free of QSB.

6. Known Problems

The AFC sometimes does not lock precisely on frequency. This seems to happen on signals that are distorted or with lots of multipath distortion. Several PSK31 signals have been observed with asymmetric frequency spectra. Perhaps these signals are generated by being on the sloping edge of the transmitter audio pass band or maybe passing through a soundcard tone control function.

The receive Window scrolling function leaves a lot to be desired. The current line many times goes out of the scroll view. This requires clicking on the scroll bar to get it back inside the view window.

The colors of the receive and transmit text sometimes get mixed up.

7. Further References

Other sources for information on the WEB can be found at: www.PacketRadio.com/psk31.htm

Peter Martinez G3PLX. "PSK31: A new radio-teletype mode with a traditional philosophy"

Peter Martinez G3PLX. "PSK31 Fundamentals"

Peter Martinez G3PLX. "Description of the Half-Rate QPSK code proposed for the QPSK/FEC Extension to PSK31"

Steve Ford, WB8IMY "PSK31-Has RTTY's Replacement Arrived?" QST May, 1999

The "Official" PSK31 web site is <http://aintel.bi.ehu.es/psk31.html>

References:

Several sources are available on the WEB that give more details and information on PSK31.

BUX CommCo has PSK31 Interface pages at: www.BUXhamParts.com/PSKhandbook.html

Moe Wheatley

Peter Martinez G3PLX. "PSK31: A new radio-teletype mode with a traditional philosophy"

Peter Martinez G3PLX. "PSK31 Fundamentals"

Peter Martinez G3PLX. "Description of the Half-Rate QPSK code proposed for the QPSK/FEC Extension to PSK31"

Steve Ford, WB8IMY "PSK31-Has RTTY's Replacement Arrived?" QST May,1999

The "Official" PSK31 web site is <http://aintel.bi.ehu.es/psk31.html>

**[The Official PSK31 SoundCard to Transceiver Web site is:](#)
www.PacketRadio.com & www.HamRadioExpress.com**

BUXCOMM 2007 RASCAL GLX OPERATOR'S MANUAL

Before we begin, let's perform the initial setup:

Sound Card CONFIGURATION:

Most soundcards use 3.5mm (1/8") jack for line and/or microphone input. Use the LINE IN jack. If you do not have a LINE IN jack, then use the MIC IN (microphone input) jack. When using the MICROPHONE IN jack, you may need to insert some attenuation [see www.BUXCOMM.com/catalog for cat no. 40DBPAD]. To open your "Volume Control" (soundcard drivers/software), depending on the operating system your PC uses, follow the procedure I've outlined below.

Operating System

Start Menu Location

Windows ME

Start > Programs > Accessories > Entertainment > Volume Control

Windows 98

Start > Programs > Accessories > Entertainment > Volume Control

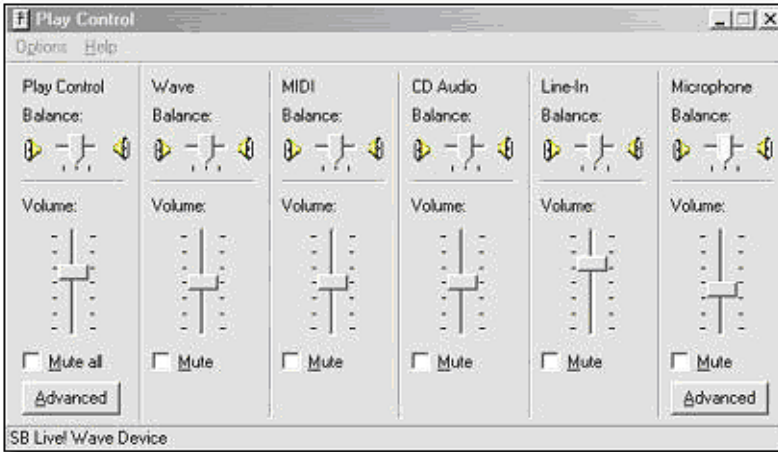
Windows XP/NT

Start > Programs > Accessories > multimedia > Volume Control

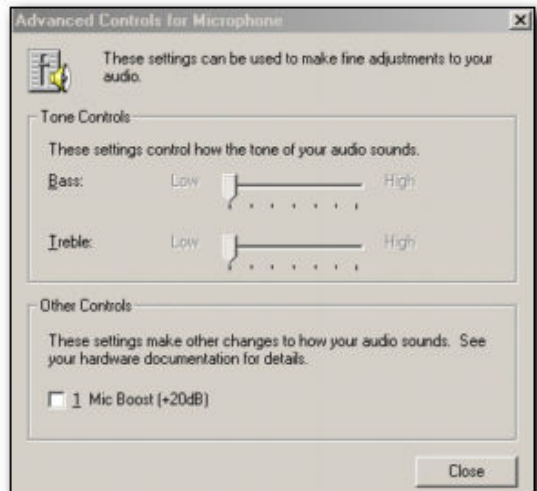
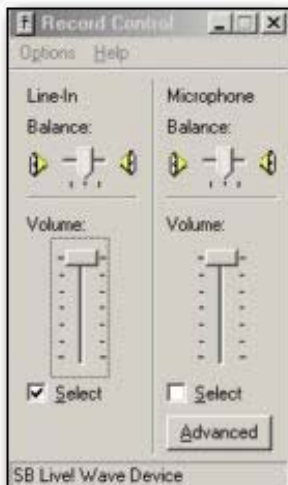
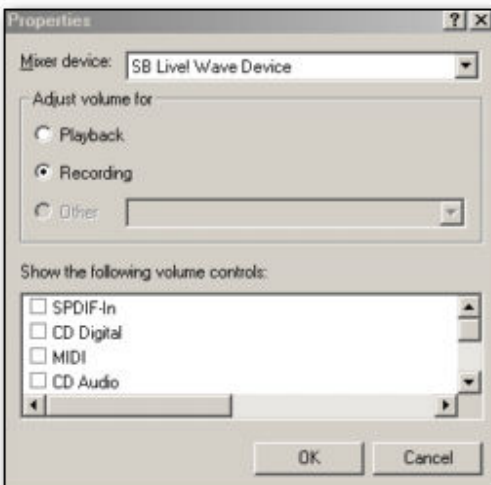
Windows 2000

Start > Programs > Accessories > multimedia > Volume Control

Be sure the input you are using is not Muted and the volume is adjusted correctly.



If your sound card does not have a LINE IN jack, then use the MIC IN jack to your soundcard. DO NOT use the "Mic Boost" option. Make sure it is NOT enabled (DISABLE IT). This is found by selecting Options on the Player Control > Properties > select Recording > OK > Advanced, UNcheck the *MicBoost* at the bottom of the soundcard display.



BUXCOMM, RASCAL GLX SoundCard Prep: FOLLOWS

Setup for the RASCAL GLX and Amateur Radio transceivers, using various HAMscope Radio Digital PC Sound Card Software.

Introduction:

This document describes the use of Sound Card Modes with most HF transceivers. The interface used is the BUXCOMM RASCAL GLX interface, and takes advantage of the unique features of the RASCAL GLX interface and level control pots built into the RASCAL GLX interface for transmit level control.

Concept:

The concept of sound card modes is to use the PC and associated sound card to generate a sound card audio signal. As a rule, this signal is applied to a transceiver accessory or microphone input.

The digital tones or PSK audio signal enters the radio as audio-frequency (AF) and is then super-imposed on the radio-frequency (RF) signal and transmitted over the air by the transceiver and antenna. At the target receive location, the signal is received and changes the RF into AF. The software running on the PC (WINPSK, HAMScope, etc.) and associated sound card decodes the audio (AF) signal to intelligent on-screen text

Operation:

The Transmitted and received AF must be clean and without distortion. That is, the distortion must be less than 3% max. In addition, the AF must be within the designated spectrum of the transceiver.

A Typical radio system is set up for voice operation, usually less than 2200 Hz. The filter characteristics of both transmit and receive are not always flat over the range of 200 to 2200 Hz, in fact they are purposely set for a band-pass that best matches human speech characteristics.

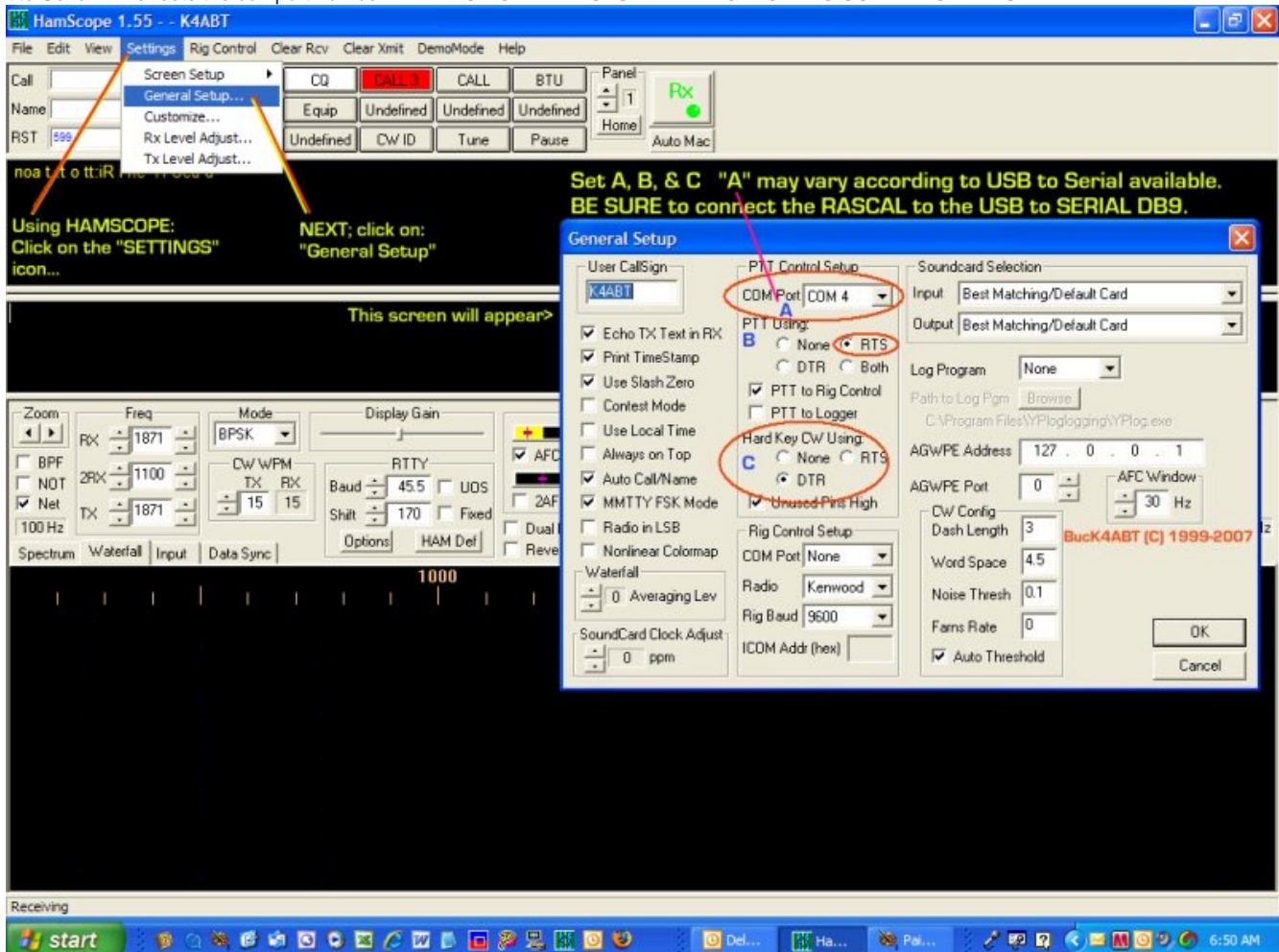
An operating range of 200 to 2000 Hz is typical for most ham transceivers. These parameters should be considered when operating in a sound card mode to allow operation of the combined software, PC, RASCAL and transceiver.

AN IMPORTANT NOTE to remember, is: The audio level must be adjusted within the band of operation to optimize power output, and prevent distortion and over-modulation. In both theory and on-air operation, this is easily accomplished by listening to the signal output of the transceiver. Setting the Tx Audio level pot on the RASCAL GLX, or moving a slider on the PC screen (sound card software).

Transceiver Setup:

Transceiver setup is as follows: frequency 14.070.15 USB; Audio Processor set OFF; Receive RF level full up; Volume level set for normal listening. RF Power level should be set to less than one half transceiver rated power output. For the purpose of setting up the RASCAL GLX and the transceiver, the software we will use is either *WINPSK*, or *HAMScope*. Both programs are software we have included on the CD ROM supplied with your RASCAL GLX. The same basic setup procedures will apply to other software also found on the CD ROM supplied with the RASCAL GLX.

USING "HAMSCOPE" Sound Card Program from the CD: If you are using the RASCAL GLX with USB Adapter, "A" may vary depending where the USB to Serial Driver sets the comport number. **NOTICE: STUDY THE FOLLOWING SCREEN CAREFULLY !**



First-time “SOFTWARE” and transmit Level Setup:

The levels from the sound card and RASCAL GLX must be adjusted to produce a desired output power from the transceiver. **PC Volume Setting:** Start by using the standard Volume Control panels on the PC.

“SOFTWARE” settings:

Load WINPSK and click on the **SETTINGS** icon.

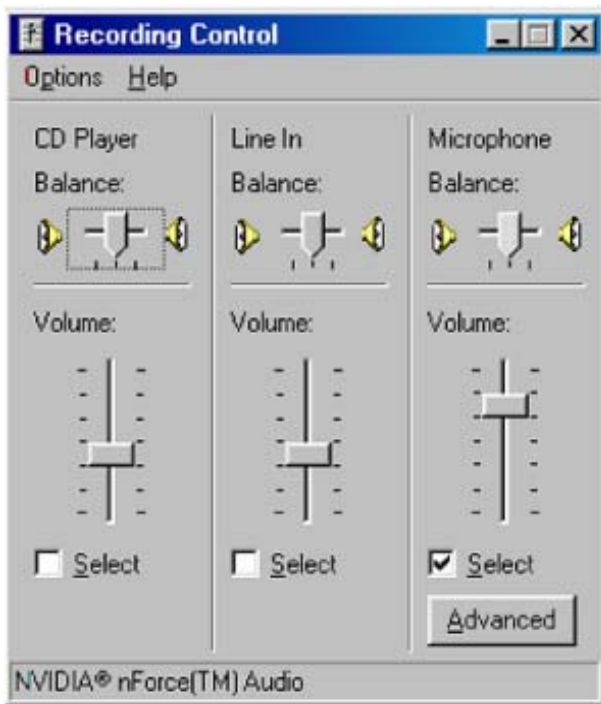
Next **CLICK “General Setup”** and enter you call sign, followed by placing a check-mark in:

- Echo Tx Text in RX
- Use Slash Zero

Then move your cursor to the **PTT Control Setup** and check the radio knob that corresponds to the (serial) comport that you have your RASCAL GLX connected to.

In the SoundCard block, select radio knob: **“Use Any Available”** Then **CLICK OK**.

Still at the **“SETTINGS”** icon, Click on **RX Level Adjust**, The following: “Recording Control” block should appear on-screen:



(USE a dummy load for transmit signal setup)
To begin transmit level setup and adjusting, CLICK “Tx Tune” in the top-most MENU of the WINPSK window.
(to turn off Tx Tune, Click “TxTune” again !)

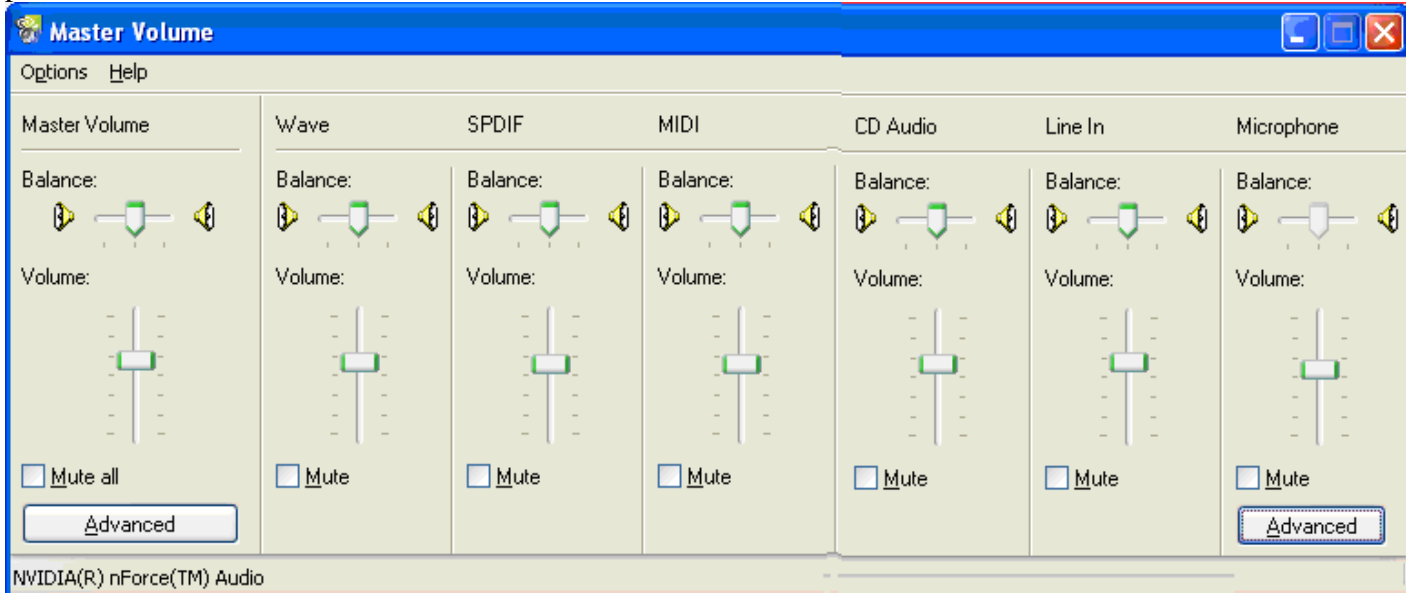
NOTICE: When using the RASCAL with *both serial and USB to serial adapter:*

First install the USB to Serial port adapter driver (On the CD between the folded cardboard back of the USB to serial converter package), then go to the Windows Device Manager (Start: Settings; Control Panel: System) and click on the + next to Ports to expand the list and see which COM port the adapter is using change your Sound Card software Port setting to use the adapter's COM port. Plug the RASCAL serial serial cable into the port. This is your auto PTT FSK, and CW control serial port.

For the latest USB to Serial converter driver software, check the site at: <http://www.manhattan-support.com/driver-usb-rs232.shtml>
Your model is 205146 USB to RS232 converter SELECT : [Windows 98Se/Me/2000/XP Install Shield](#)
PL-2303H/X/HX Installshield Driver Setup Program v2.0.0.14 for Win98SE/ME v2.0.0.26 for Win2K/XP (XP Logo Certified) (V20026, 08/2004) **This driver also supports Windows Vista.**

Still in the “SETTINGS” icon, Click on: **Tx Level Adjust** and Set check-mark in “SELECT” box as shown below;

The Transmitter Drive Control (**Tx Level Adjust**) Panel appears similar to the following Master Volume panel:



In the Master Volume screen, you may “MUTE” some of the “Mute” boxes, **but do NOT mute the “WAVE” check box.** As a rule, the slider controls of the Wave and the Master Volume controls are set midway of their range. Set the Tx Level pot on the RASCAL GLX to mid-point.

Be sure you have HAMscope or WINPSK running. Next Click the waterfall about midway 1200 to 1800 Hz. This sets the audio frequency midrange of the waterfall screen, select *Tx Tune*.

Still using the DUMMY load for tune and setup: Begin transmit level setup and adjusting. CLICK “Tx Tune” in the top-most MENU of the WINPSK window. (to turn off Tx Tune, Click “TxTune” again !)

This will generate a single frequency tone to modulate your transceiver. Monitor the power output level on the transceiver front panel RF output meter or a watt meter, for a continuous output signal. The power output should NOT show more than half the transceivers rated “output” power.

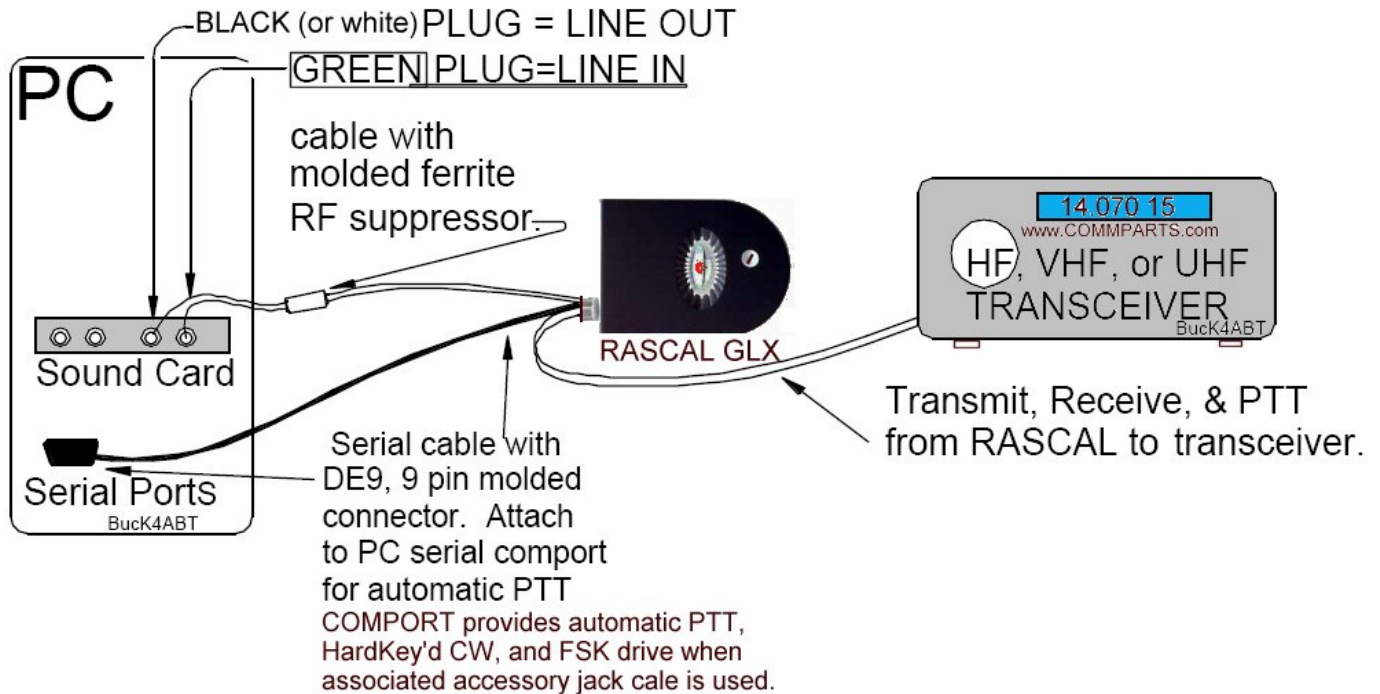
You can adjust the Tx Level Control on the RASCAL GLX: to produce the desired RF level. When the pot is in the upper two-thirds of its travel, and you have not achieved enough audio to drive the radio to half power, it may be necessary to adjust the PC Master Volume Control slider up or down to bring the power level to one third or half rated power.

Once you have the level set, no additional adjustments to the RASCAL GLX level should be necessary. The PC Master Volume control panel can be closed. **Turn Off The Tune Signal** by clicking the Tx Tune button again.

The Receive Level is controlled by the sliders in the PC sound card software. The waterfall of WINPSK display is blue, and the signals are usually yellow. If a red “Audio level too High” appears in the WINPSK display, it indicates the receive audio level needs to be turned down in the sound card software, or an (40 dB pad) attenuator should be inserted in the MIC IN, or Line In to the sound card input.

If your radio has the FSK feature, the RASCAL GLX can be used to do true RTTY/FSK, instead of "A"FSK. The RASCAL GLX also does Hard-Key'd CW by using the special "CBL CW." To use FSK or CW, be sure your sound card software is set to FSK, or CW. These two modes will not work without the correct cable or when the sound card software is set for PSK or SSTV modes. A Free Cable (customer's choice), detailed set of documentation, a CD-ROM with many sound-card and RASCAL programs are included with each RASCAL GLX.

Signals will appear throughout the waterfall spectrum of 1000 to 3000 Hz. To begin a QSO with one of them, be sure the signal at or near the point where you have set your cursor and yellow line. Another method of setting the frequency, is to set the "NET" feature in WINPSK "ON." Switch to the antenna.. and HAVE FUN.



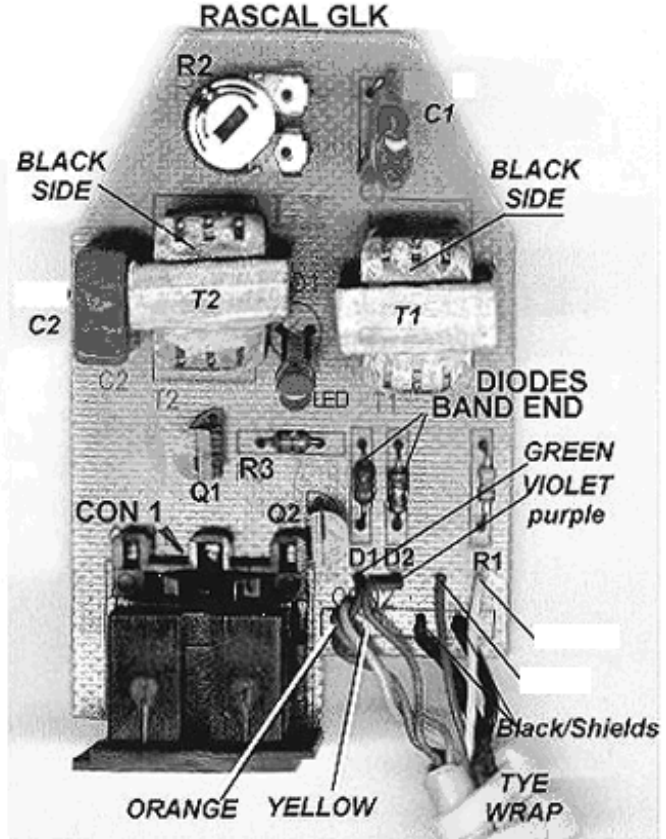
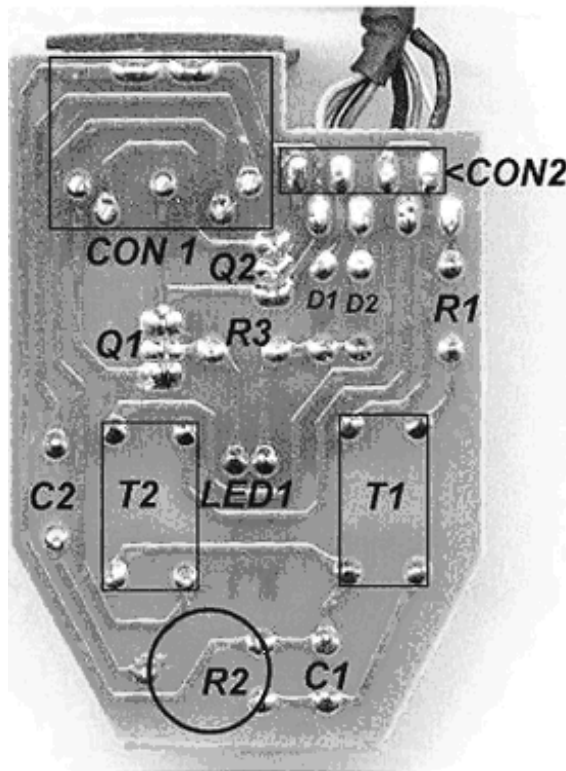
Some PCees may have MIC IN and SPKR OUT, instead of LINE IN and LINE OUT.

For RASCAL GLX with USB to Serial adapter/converter, Install USB Driver software, then in the soundcard PSK program set comport under the "settings" icon.

Having Fun with the Digital Modes.

73 de BucK4ABT
www.BUXCOMM.com

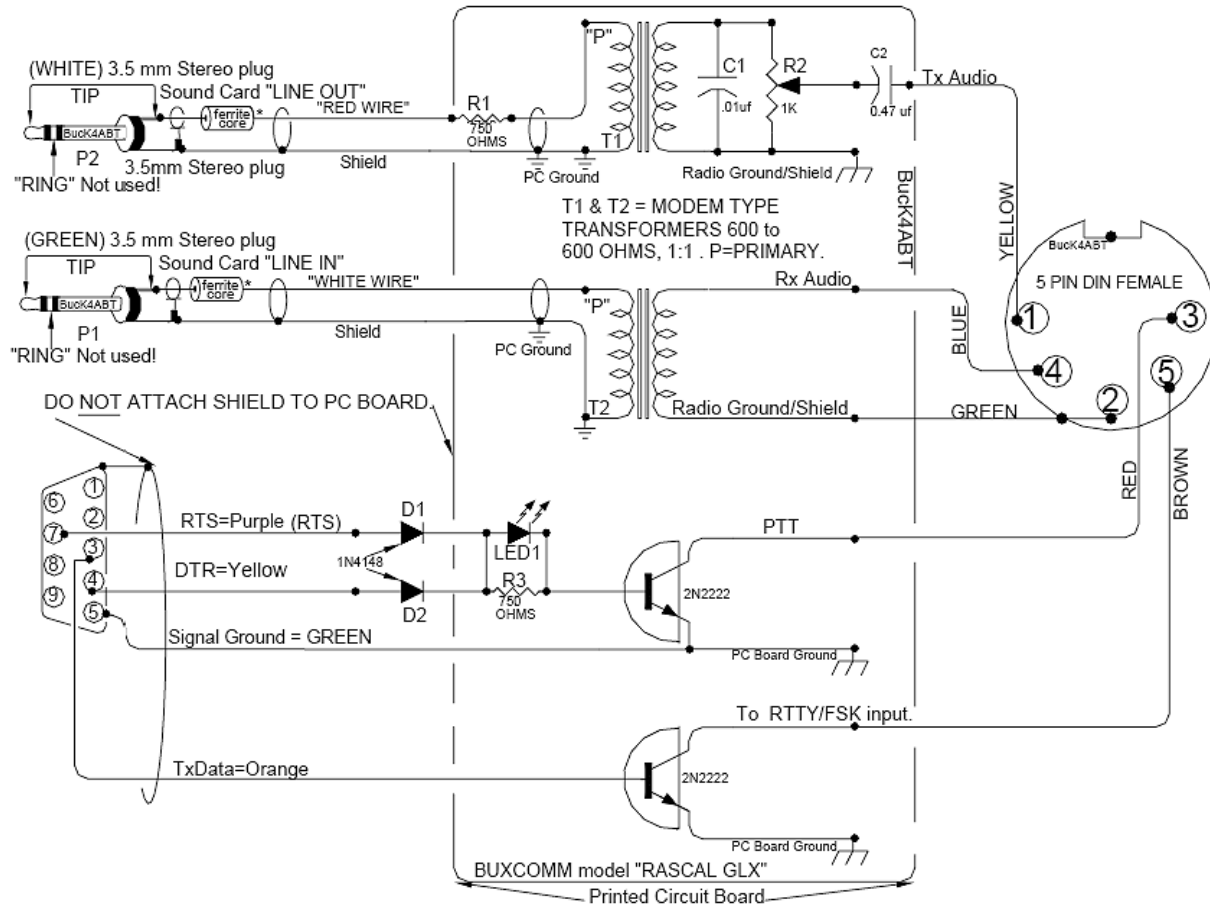
ASSEMBLY MANUAL FOR THE BUXCOMM 2008-9 RASCAL GLKit



SOLDER SIDE OF PC BOARD

COMPONENT LAYOUT

Qty	Description	LOCATION ON PC BOARD
2,	2N2222 Transistor (MPS2222A)	Q1 & Q2
2,	1N4148 Diode (switching)	D1 & D2
1,	LED Light Diode T1-3/4 RED	LED 1
1,	DB9 Female w/6ft CBL	COMPORT CABLE
2,	600 to 600 ohm (1:1) MODEM transformer(s) T1 & T2,	Center-Tap Not used.
2,	3.5mm Shielded, Stereo 5 ft cables with molded Ferrite Cables "plugs" are stereo, but "RING" not used.	Sound Card CABLE
1,	5 pin DIN female connector/socket 180 degree, standard 5 pin DIN female w/2 mtg holes.	CON 1
1,	*uf @ 50 vdc May Be switched with C2	C1
1,	0.47 uF @ 50 vdc	C2 (may be switched with C1)
2.	Resistors = 750 ohms @ 1/8 th watt	R1 & R3 (Violet, Green,Brown)
1,	1k pot (1000 ohm variable resistor)	R2 Variable Resistor
1,	Printed Circuit board	
1,	Black Plastic case	
Misc;	Solder, VelCro, Plastic Tye-Wrap etc.	



INITIAL ASSEMBLY PREPARATION AND NOTES:

The RASCAL GLK contains fourteen components including the printed-circuit board. Most experienced Amateur Radio Operator's complete the assembly in less than an hour. Some first-time kit builders may take longer. In any case, the RASCAL GLK can be a fun project for an evening or Saturday morning.

NOTICE TO THE KIT BUILDER; When soldering any printed circuit board, be sure you have the know-how to make good solder connections without overheating the traces. Most important, make sure you have the skill to accomplish the RASCAL GLK assembly.

No refunds will be made for any kit that has been opened or soldered. Repairs will be made on kits that are returned for service, in accordance with the Service and Repair paragraph below.

The most common mistakes we find in kits returned for service are:

- Cold solder joints (solder connections that appear "frosted").
- Parts installed, but not soldered.
- Parts in the wrong location.
- Shorts across traces, or frayed wires touching another trace or wire.
- Diodes or transistors in backwards.

Service and Repair:

We do maintain a service center for the repair of our products. If a RASCAL GLKit is returned for repair, a service fee of \$17.50 is applied. This fee includes return shipping only to the customers within the United State of America. Repair/return shipping to foreign customers is an added \$9.90

Tools used in the assembly of the RASCAL GLK are:

- Small, 35 to 50 watt soldering iron, with small tip for working printed circuit board traces and lans.
- Technicians needle-nose pliers.
- Technicians diagonal cutter
- Small screw-driver, straight blade.

If you are near my “vintage” a “third-hand” stand and a magnifier will help when working in close spaces, and with small components. Be sure you have a clean surface to work at. Clear away all items that will not be used during construction of the RASCAL GLK. The work area should be smooth, level, and well lit.

One of the most important steps in kit building is to read over the assembly instructions one time, before beginning the actual construction of the project. Prepare the PC board and components that are to be placed on the PC Board. Compare the components to the parts list. Separate and become familiar with each component, and the location where it is to be used on the PC board. Use caution when working with hot soldering irons and sharp tools. Keep all parts and tools within your reach.

POPULATING THE PRINTED CIRCUIT BOARD:

When we reference left and right side of the PC board, the board is oriented with the pointed end up, or away from us, and the text on the board in the correct reading plane.

There is no set rule as to when to solder a component in place. Most kit builders will install 4 or 5 components then solder and prune the wires. Others will populate the entire PC board, then carefully solder and prune the excess wires. I opt for the first procedure, as it allows me space by removing (pruning) wires as I go along. Each time I prune excess wires, I use my magnifying glass to check for bridged or shorted traces.

ASSEMBLY STEPS:

- (1) Install the fixed resistor at location R1 (750 ohm Violet, Green, Brown)
- (2) Install the fixed resistor at location R3 (750 ohm Violet, Green, Brown)
- (3) Install (2) Diodes at locations D1 and D2, *making sure the banded ends are toward T1 location.*
- (4) Install (2) transistors 2N2222 at locations Q1 and Q2. Be sure to orient each transistor as shown by outline on the PC board. Q1 has flat side facing the right side of the PCB, and Q2 has the flat side facing the left side of the PC Board, See the photo.
- (5) Install LED1. **DO NOT CUT OR SHORTEN THE LED WIRES !** The longer of the two LED wires is inserted into the hole nearest T1. Install so the tip (top) of the LED is 5/8 of an inch above the PC board surface. Prepare the two miniature transformers by removing *only the center wire (X)* from each side of the transformer, Fig 1.

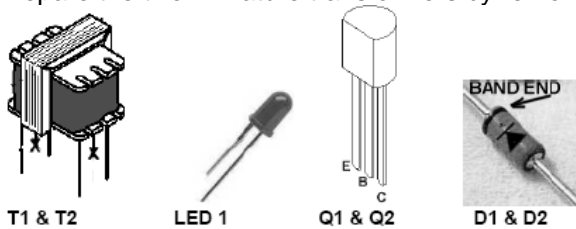





Figure 1. DO NOT REMOVE the 2 outside wires. The two *outside* wires on each side of the transformer are the primary and secondary windings.

- (6) Install the audio coupling transformers at locations T1 and T2. Black/Top side of transformers are toward the top or pointed end of the PC board.
- (7) Install capacitors C1 (.01) Above T1, and C2 (.1 or .47), Left of T2.
- (8) Install variable resistor at R2 location, near top of PC board, near C1. Single pin of R2 is toward left side.
- (9) Install 5 pin DIN female connector at location “CON 1.” *When soldering this connector in place, try to maintain 1/32 to 1/16 inch overhang beyond the edge of the PC board. This overhang allows easy installation into the black ABS cover when the PC board assembly is complete, See photo “GAP”.*
- (10) Prepare the DE9 (serial Comport) cable by removing approximately ¾ inch insulation, exposing the 9 insulated wires, and 1 shield/drain wire. Separate the wires into two groups. In one group, select the *VIOLET, YELLOW, GREEN, and ORANGE* wires. **DO NOT cut or REMOVE the VIOLET, YELLOW, GREEN, and ORANGE wires.** Remove (cut off) all other wires.

BUXHAMParts

Serving HAM Radio since 1959, On the Web Since 1995

We accept    Monday through Friday, 9 am to 4 pm est
Saturday 9am to 2pm Call Toll Free: 1 800 726 2919 or 1 866 300 1969 Orders Only !

RASCAL to Transceiver interface cables. For complete listing of all our interface cables, GO TO: www.BUXCOMM.com

To add another transceiver for use with your RASCAL GLX, select the interface cable, CAT No, CBL model. **Call the toll-free order lines; 1 800 726 2919 or 1 866 300 1969 Monday thru Friday 9 am to 4 pm to place your order.**

- CAT No, RXK RASCAL TO PC SoundCard EXTENDER KIT 5.95
- CAT No, RASCAL25X RASCAL GLX EXTENDER KIT 9.95
- CAT No, CBL 5DMX RASCAL GLX and Cable and 3.5mm Plug end other end is open and preped for solder connection 9.95
- CAT No, CBLTHF6 KENWOOD HandHeld Transceivers with 3.5mm and 2.5mm stereo I O 19.95
- CAT No, CBLTT25 TenTec transceivers with 1/4 inch Mic and Ext Spkr jacks 19.95
- CAT No, CBLTT4M TenTec transceivers w4 pin screwon mic 1/4 Ext Spkr IO 19.95
- CAT No, CBLVX YAESU handheld transceivers with 4 circuit 3.5mm IO jack. 19.95
- CAT No, CBL1000D YAESU FT 1000 to Transceiver PSK31 Interface cable. 19.95
- CAT No, CBL5PD Ten Tec with 5 pin DIN data I O accessory jack .19.95
- CAT No, CBL75767 YAESU Collins and transceivers with Patch IN Patch OUT and PTT RCA jacks 19.95
- CAT No, CBL847HF R847HF YAESU FT 847 3.5mm HF Data I O HF jack 19.95
- CAT No, CBLAK8M Alinco and Kenwood with ScrewOn 8 pin mics with 3.5mm Ext Spkr 19.95
- CAT No, CBLAL8M For ALINCO ADI and KENWOOD with 8 pin Screw On mic & Ext Spkr Jack 19.95
- CAT No, CBLCW RASCAL to transceivers with 0.25inch CW jack for hard keyed CW 19.95
- CAT No, CBLDJ25S RASCAL for DJ 120 DJ 160 460 DJ 100 DJ 120 DJ 200 DJ 500 DJ C1T C4T C5T 19.95
- CAT No, CBLFT1802, YAESU FT2800 & Yaesu transceivers with RJ 12 Mic & 3.5mm Ext Spkr 19.95
- CAT No, CBLFT4RY YAESU transceivers with 4 pin DIN RTTY jacks. 19.95
- CAT No, CBLFT600 YAESU FT 736 FT 600 FT 890 & Late Model FT 900. 3.5mm HF Data I O HF jack PTT is via RCA . 19.95
- CAT No, CBLHTX10 Radio Shack HTX 10. RASCAL to Radio Interface cable 19.95
- CAT No, CBLHTX100 Radio Shack Model HTX 100. RASCAL to Radio Interface cable 19.95
- CAT No, CBLHTX242 Radio Shack Model HTX 212 and HTX 242 & Radio Shack with RJ45 MIC 19.95
- CAT No, CBLHTX252 Radio Shack HTX 252. RASCAL to Radio Interface cable 19.95
- CAT No, CBLIC13RY ICOM Transceivers with 13 pin DIN accessory jack w FSK pin FOR HF. 19.95
- CAT No, CBLIC13VU for VHF and UHF NOT HF. ICOM with 13 pin DIN accessory jack. 19.95
- CAT No, CBLIC45 ICOM HF VHF and UHF transceivers with RJ 45 Modular Mic jacks. 19.95
- CAT No, CBLIC8MX ICOM HF VHF UHF Transceivers w/8 pin Screw On MIC & Ext Spkr jack.
- CAT No, CBLIC8PD ICOM HF Transceivers with 8 pin DIN accessory jack. 19.95
- CAT No, CBLKW13RY Kenwood Transceivers with 13 pin DIN accy jack. w FSK. 19.95
- CAT No, CBLKW13RYR Kenwood TS 850 and KW Transceivers with 13 pin DIN accy 19.95
- CAT No, CBLKW4013 Early KENWOOD HF TS 940 440.w/13 pin DIN accessory jack 19.95
- CAT No, CBLKW45 KENWOOD HF and VHF Transceivers with RJ45 MODULAR mic. 19.95
- CAT No, CBLKW8M KENWOOD Transceivers with 8 pin Screw On mic & Ext Spkr I O. 19.95
- CAT No, *CBLMDIN RASCAL GLX and FREE Cable MDIN. For all makes and model transceivers with 6 pin Mini DIN, 19.95
- CAT No, CBLOMNI For Ten Tec transceivers with PTT Tx IN Rx IN RCA (phono) jacks, 19.95
- CAT No, CBLORION Ten Tec ORION 565, 19.95
- CAT No, CBLTHF6 KENWOOD HandHeld Transceivers with 3.5mm & 2.5mm . 19.95
- CAT No, CBLY8M YAESU transceivers with 8 pin screw on mic input and 3.5mm (1/8") Ext Spkr jack, 19.95
- CAT No, CBLYX YAESU hand held transceivers with 4 circuit 3.5mm I O jack. 19.95
- CAT No, CBLISOL8R For the Sound Card LINE OUT to reduce Transmit audio Noise and HUM 9.97
- CAT No, CBLISOL8RX2 One for SoundCard INPUT and one for SoundCard OUTPUT for complete isolation. 19.95

***CBLMDIN is our most popular RASCAL to Radio interface cable. Now available on most Kenwood, Yaesu, & Icom.**

Technical Support via EMAIL eMAIL.Support@BUXCOMM.com **NO MINIMUM ORDERS.** Same Day Shipping, except Sunday and Holidays

**BUXCOMM Corporation
115 LUENBURG DRIVE
EVINGTON, VIRGINIA 24550**

Call the toll-free order lines; 1 800 726 2919 or 1 866 300 1969 Monday thru Friday 9 am to 4 pm to place your order.