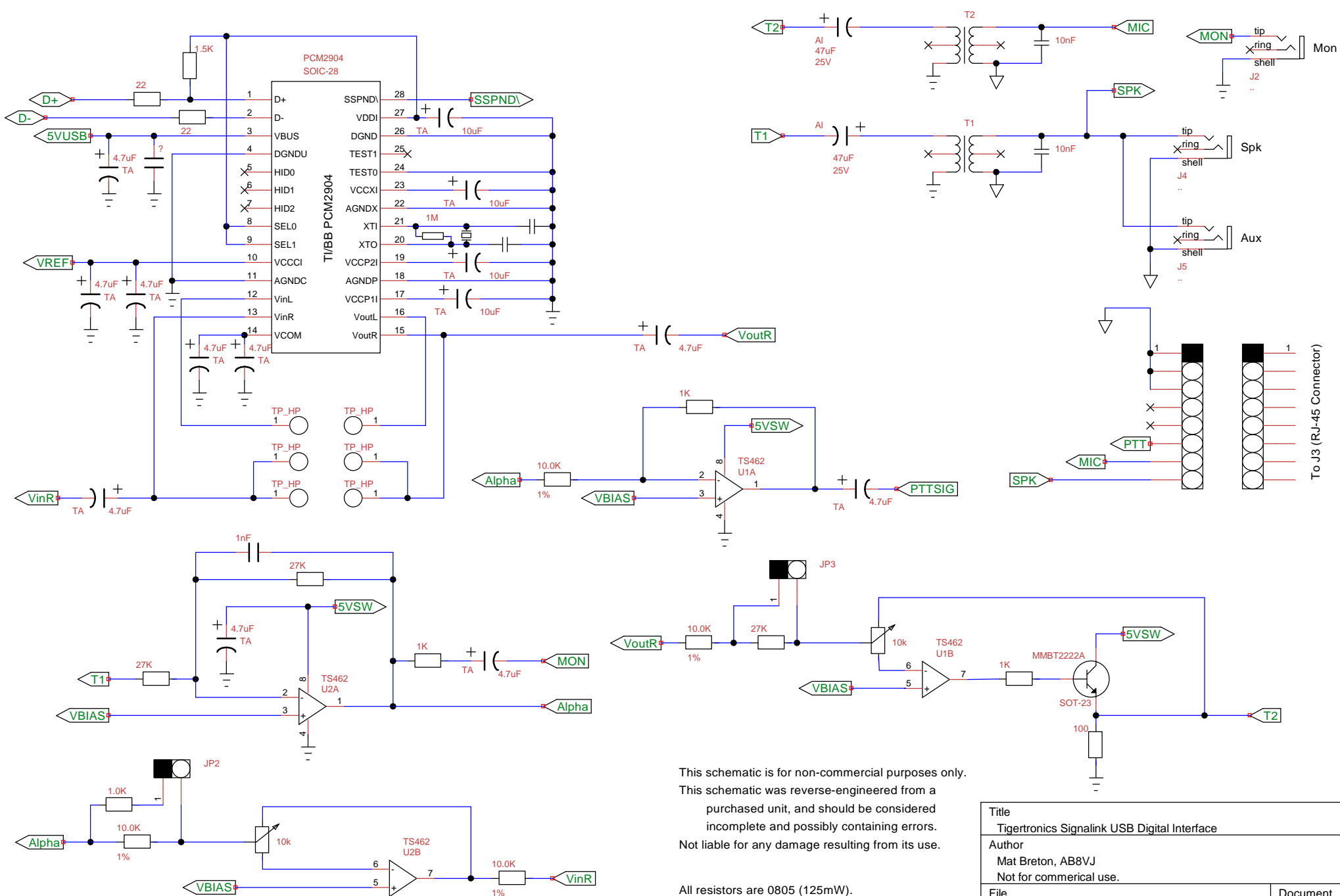


This schematic is for non-commercial purposes only.
 This schematic was reverse-engineered from a purchased unit, and should be considered incomplete and possibly containing errors.
 Not liable for any damage resulting from its use.

All resistors are 0805 (125mW).
 All resistors are 5% unless marked otherwise.
 All capacitors are ceramic unless marked otherwise.

Title Tigertronics Signalink USB Digital Interface		
Author Mat Breton, AB8VJ Not for commercial use.		
File C:\Users\Mat\Desktop\SIGNAL-1\TIGERT-2.DSN	Document	
Revision 1.1	Date 9-27-2013	Sheets 1 of 2



This schematic is for non-commercial purposes only.
 This schematic was reverse-engineered from a purchased unit, and should be considered incomplete and possibly containing errors.
 Not liable for any damage resulting from its use.

All resistors are 0805 (125mW).
 All resistors are 5% unless marked otherwise.
 All capacitors are ceramic unless marked otherwise.

Title Tigertronics Signalink USB Digital Interface		
Author Mat Breton, AB8VJ Not for commercial use.		
File C:\Users\Mat\Desktop\SIGNAL-1\TIGERT-2.DSN	Document	
Revision 1.2	Date 11-02-2013	Sheets 2 of 2