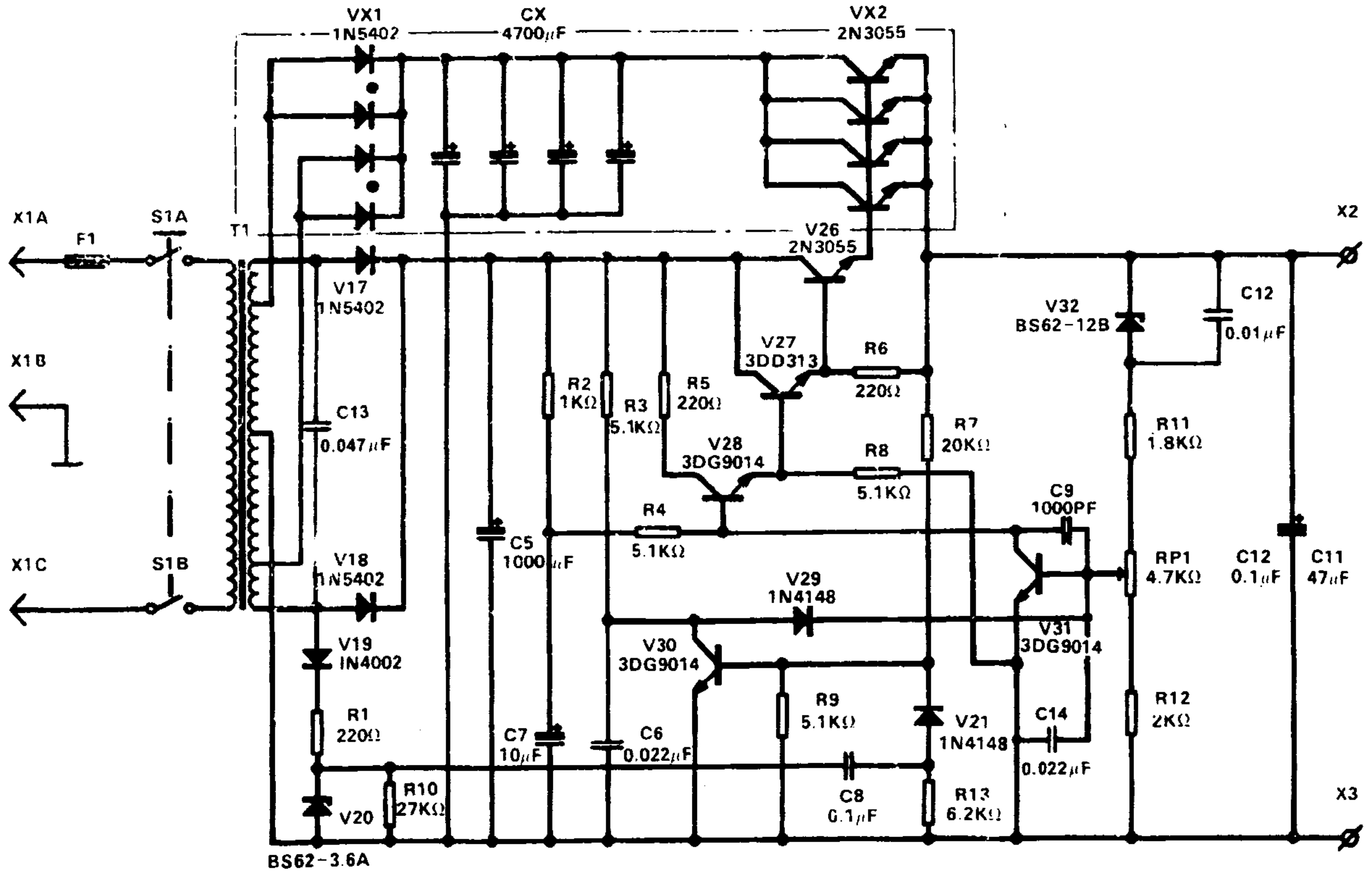


K45	K75	K105	K205	K305
3A - 5A	6A - 8A	10A - 12A	20A - 22A	30A - 32A

General Circuit Diagram (*)



(*)Note: This is the standard circuit for 20A output. For different model, the number of diodes, capacitors and transistors inside the frame line will be increased or decreased.