

13.8V (12V) DC Regulated Power Supply

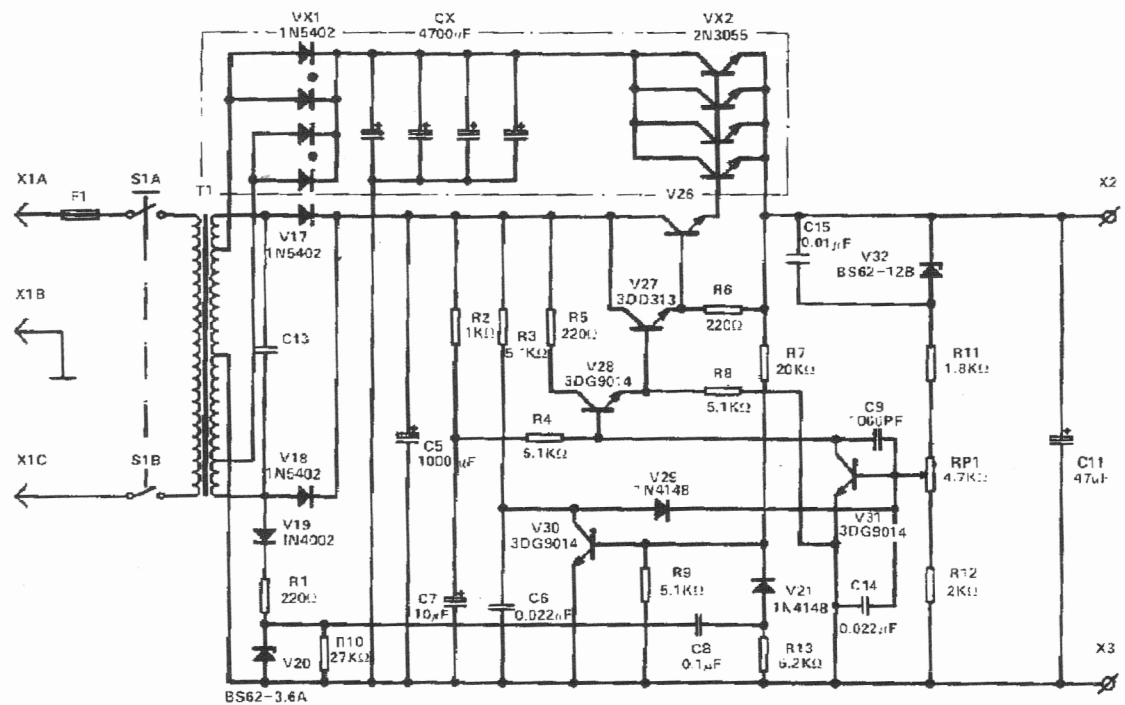
Operation:

1. Insert AC power plug into a 220 (or 110) Volt AC outlet.
2. Connect the power cord of your equipment with proper input voltage to the output binding post terminals on the front of the unit. Be sure that polarity is correct. The red positive (+) terminal and black negative (-) terminal are marked, reversal of polarity may damage your equipment.
3. Turn switch to "ON", the light in switch will illuminate.
4. The input power is protected by the fuse which is located at the rear of the unit and can be replaced by unscrewing the fuse holder if the fuse is burnt out, please use the same rated fuse for replace.
5. This unit has short-circuit protection with automatic reset function.

Caution:

1. Do not use with equipment requiring more than rated amps.
2. Do not use outdoors, do not expose unit to rain, moisture, water or any other liquides.
3. Do not remove cover, return to dealer for repair if damaged.
4. When the unit is used on full load for a long term, be sure that its ventilation and heatsink are good.

" Danger"
High Voltage
Refer to qualified technician for service



OUTPUT 13.8VDC	VX1	C13	CX	VX2	F1
10A	8X1N5402	0.1 μ f	2X4700 μ f	2X2N3055	3A
20A	16X1N5402	0.22 μ f	4X4700 μ f	4X2N3055	4A
25A	14X1N5402	0.22 μ f	5X4700 μ f	5X2N305E	4A
30A	14X1N5402	.22 μ f	5X4700 μ f	6X2N3055	6A

REGULATED DC POWER SUPPLY RPS 1230

With Short Circuit Protection

Input: 220V-240V AC
Output: 13.8V DC



Sun Rise

OUTPUT



1.8V/30-32A



POWER

ON

OFF



REGULATED DC POWER SUPPLY

RPS 1230

With Short Circuit Protection

Input: 220V-240V AC

Output: 13.8V DC



Sun Rise

OUTPUT

POWER

-

+

ON

OFF



13.8V/30-32A



REGULATED DC POWER SUPPLY
With Short Circuit Protection

RPS 1230

Sun Rola

Input: 230V/240V AC
Output: 12.0V DC

OUTPUT

POWER
ON OFF



