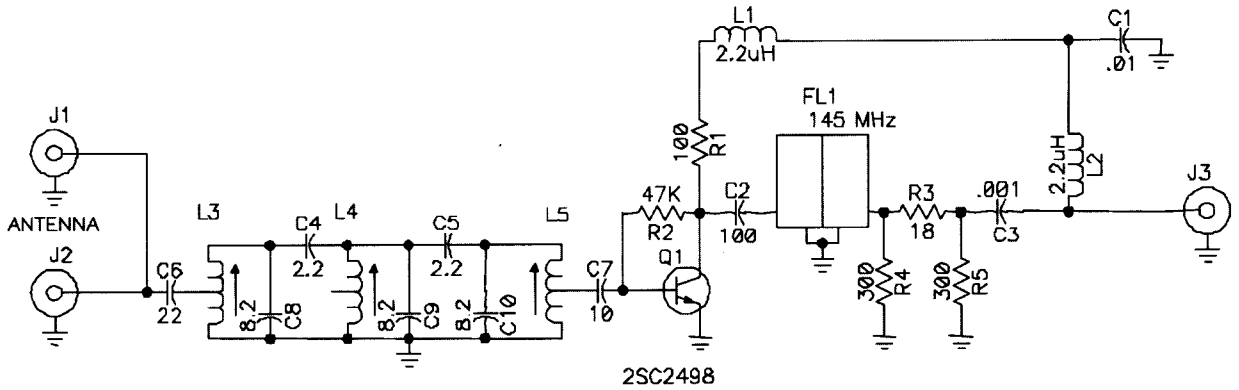
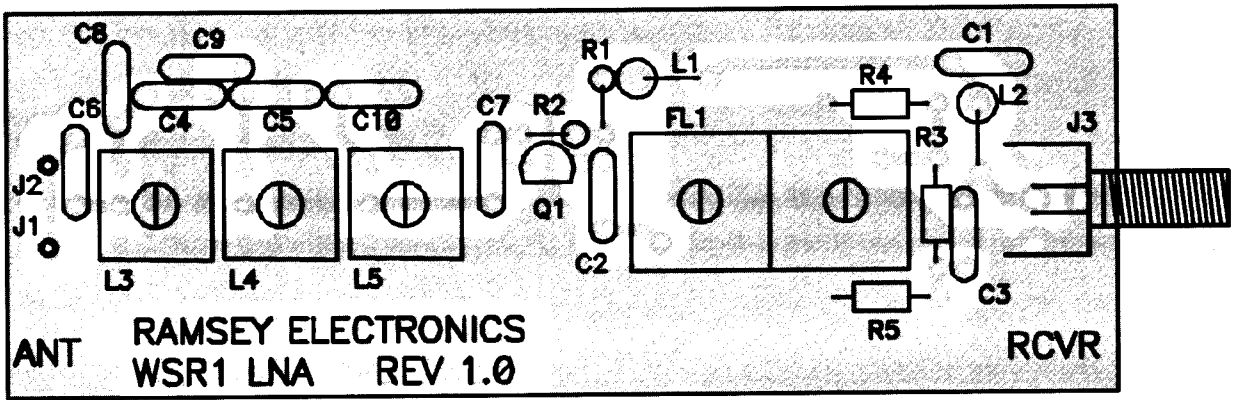


# SCHEMATIC DIAGRAM



## PARTS LAYOUT DIAGRAM



## PARTS LIST

### **CAPACITORS**

- 2. 2.2pF ceramic capacitors (marked 2.2) (C4, C5)
- 1 10pF ceramic capacitor (marked 10) (C7)
- 3 8.2pF ceramic capacitors (marked 8.2) (C8, C9, C10)
- 1 22pF ceramic capacitor (marked 22) (C6)
- 1 100pF ceramic capacitor (marked 100, or 101) (C2)
- 1 .001uF ceramic capacitor (marked .001, or 102) (C3)
- 1 .01uF ceramic capacitor (marked .01, 103, or 10n) (C1)

### **FIXED RESISTORS**

- 1 100 ohm resistor (brown-black-brown) (R1)
- 1 18 ohm resistor (brown-grey-black) (R3)
- 2 300 ohm resistors (orange-black-brown) (R4, R5)
- 1 47K ohm resistor (yellow-violet-orange) (R2)

### **SEMICONDUCTORS**

- 1 2SC2498 or 2570 NPN UHF transistor (Q1)

### **INDUCTORS AND FILTERS**

- 3 359-7787 Variable inductors (metallic cans with slug) (L3,L4,L5)
- 2 2.2uH inductors (green body with red-red-gold stripes) (L1, L2)
- 1 2 section helical filter, 145 MHz (Large metallic can with two adjustments) (FL1)

### **CONTROLS, HARDWARE & MISCELLANEOUS**

- 1 Type-F connector (J3)
- 1 PC Board