

SECTION 6

SCHEMATIC DIAGRAM

6.1. ROTOR CIRCUITRY

Fig 6-1 presents a diagram of RC5, RC5A rotor circuitry. The only differences between RC5 and RC5A models are the capacitor capacitance and motor type.

6.2. INDICATOR CIRCUITRY

RC5-1 indicator circuitry is as shown in the diagram of Fig. 6-2. RC5A-3 as in Fig. 6-3. Indicator circuitry with models RC5-3 and RC5A-2 lacks the portions as indicated in the notes under the diagrams.

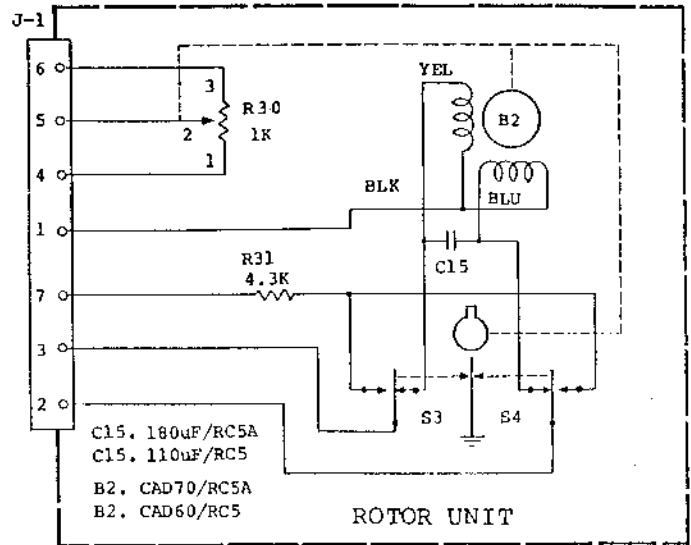


Figure 6-1. RC5x-x, Rotor.

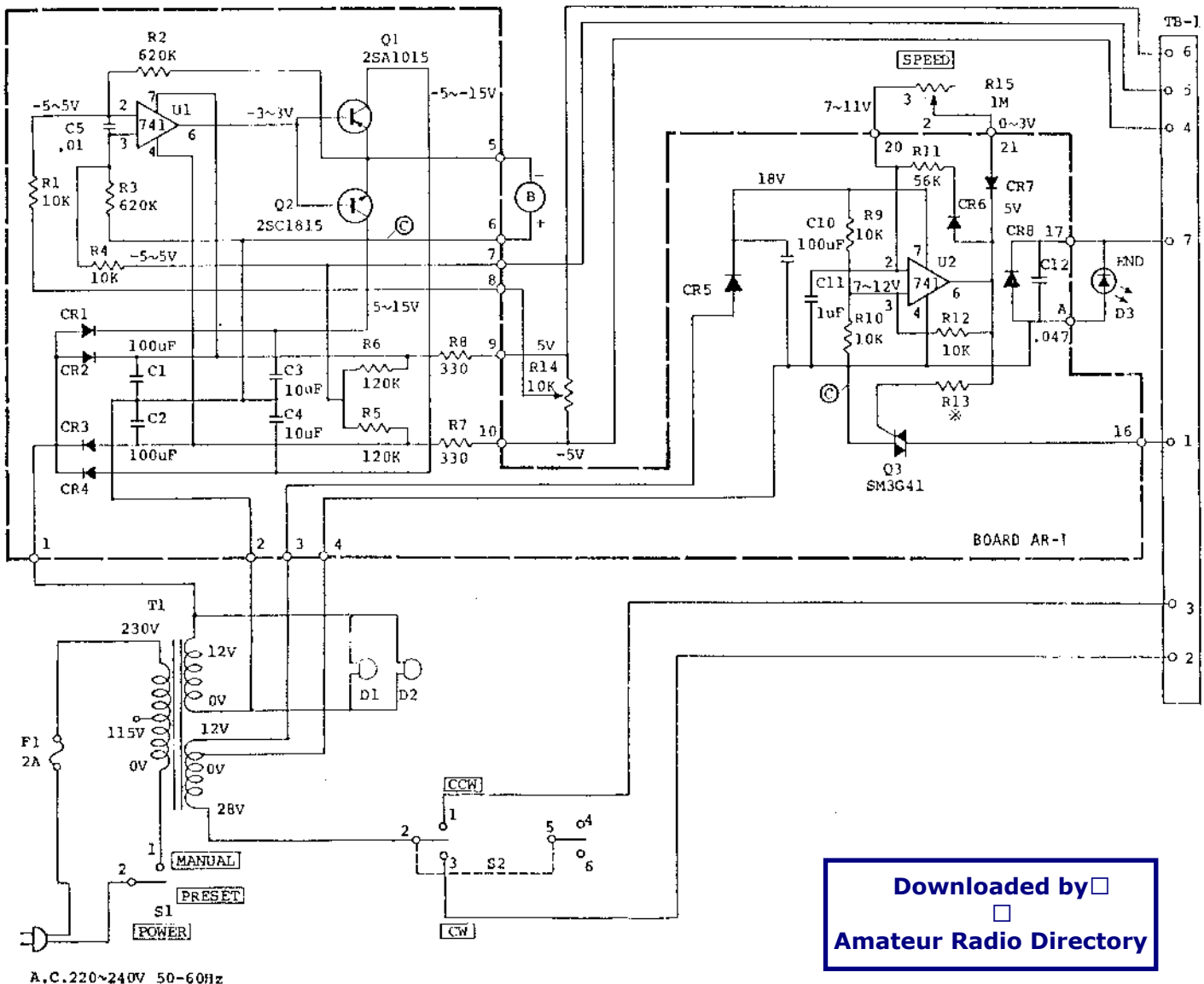
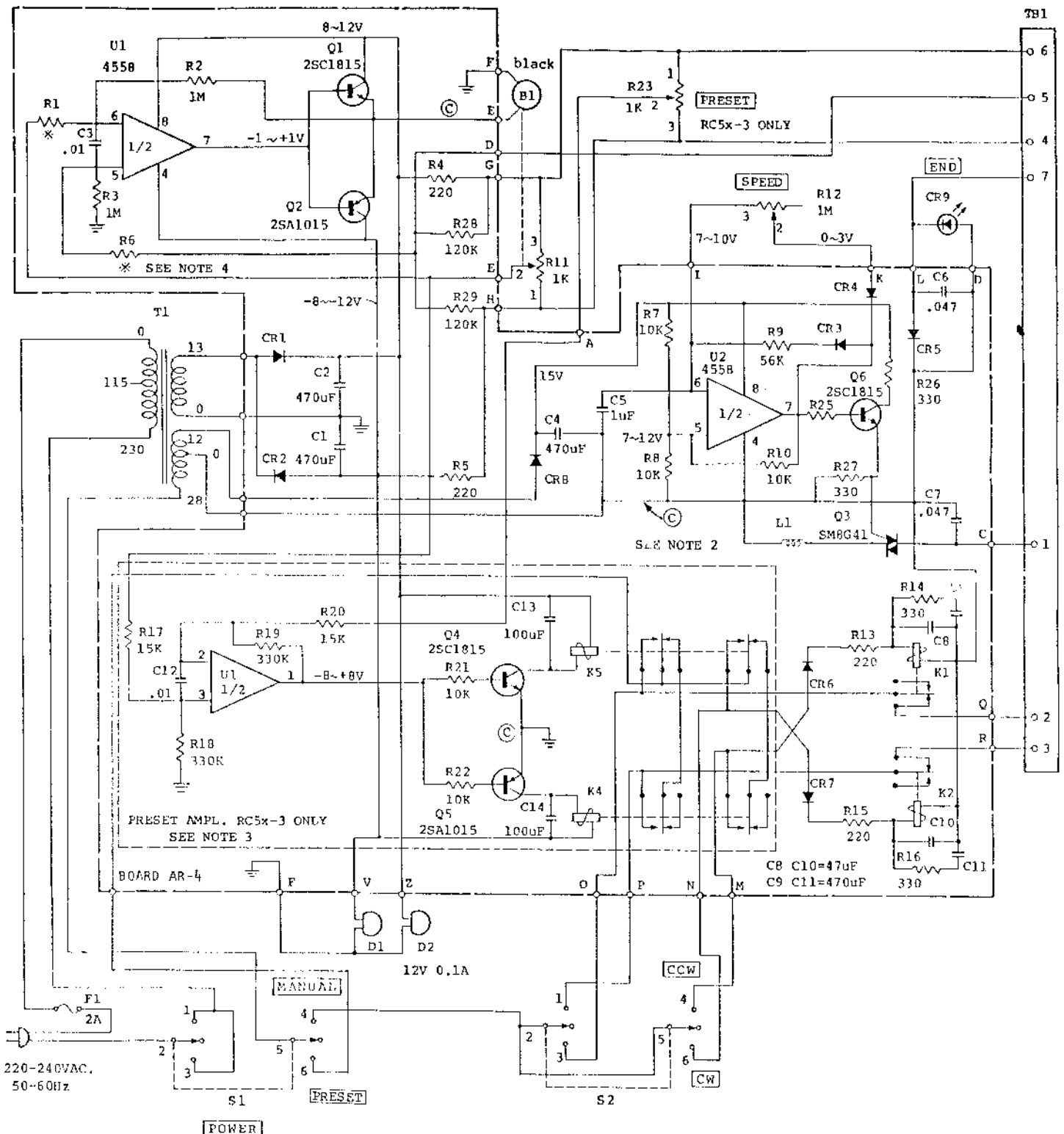


Figure 6-2. RC5-1 Indicator Control, Schematic Diagram.



Downloaded by

 Amateur Radio Directory

- NOTE: 1. DIODE CR1 THRU CR8 ARE 10D-1
 2. INDICATED VOLTAGE SHOWS BETWEEN C AND EACH POINT
 3. RC5A-2 ROTATOR DO NOT HAVE THE PRESET AMPLIFIER CIRCUIT IN A DOTTED LINE
 4. FOLLOWING ASTERISK ARE SELECTED INDIVIDUALLY AT THE MANUFACTURE

Figure 6-3. RC5A-x Indicator Control, Schematic Diagram.