

ANTENNA ROTATOR

A durable, precision-built rotator designed to turn and accurately position even the largest TV/FM antenna, ensuring the best possible TV picture and FM reception.



Features:

- Precision cut steel gears hardened for long service life
- Rugged, one-piece cast aluminum housing designed for greatest strength in high stress areas
- Large bearing surfaces and strong, reinforced mast for lateral load support
- Ball bearing provided for thrust (vertical) load
- High torque - easily handles largest TV/FM antenna arrays
- Built to take high winds and harshest weather extremes - water tight seal, fully lubricated drive train
- Completely automatic control; indicator accurately shows orientation of antenna
- Control designed for smoother, quieter operation
- Optional TB-105 Support Bearing available for extra-rigid installation (see reverse)
- UL and CSA listed

SPECIFICATIONS

Control Unit

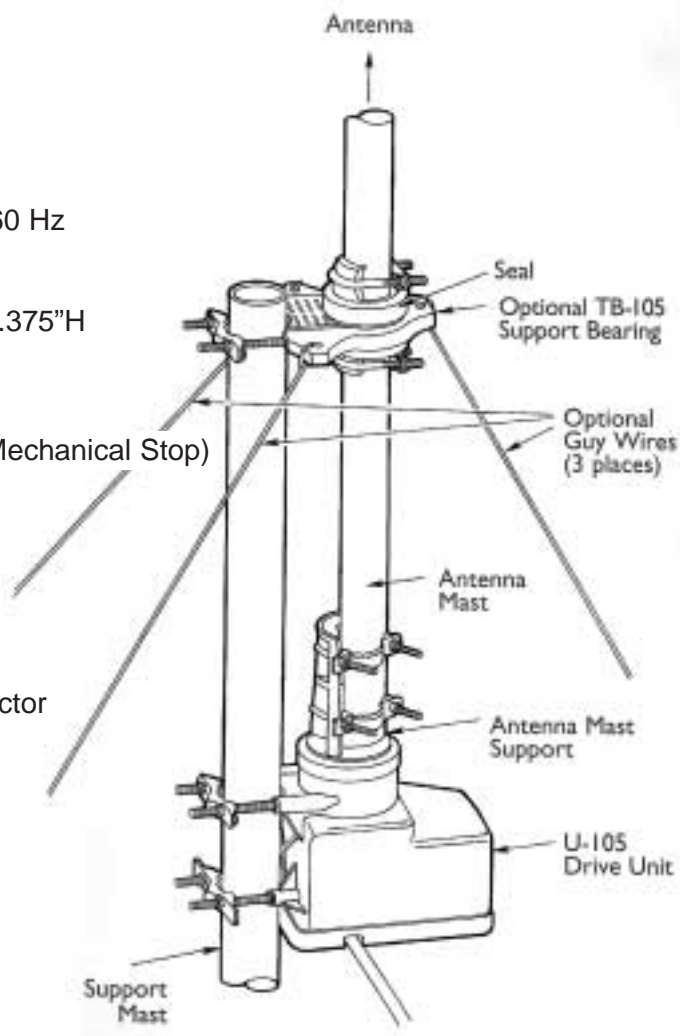
- Power Consumption.....68W @ 120 Vac, 60 Hz
- Output18 Vac±5%
- Dimensions7"W x 5.875"D x 2.375"H

Rotator Drive Unit

- Range of Rotation.....360° + 5° - 0 (w/ Mechanical Stop)
- Rotation Time.....70 Seconds
- Rotation Torque.....8 Ft.-Lbs.
- Vertical Load Capacity100 Lbs. (max.)
- Support Mast Size1.125" - 2" Dia.
- Connecting Cable (Not Supplied) ..20 AWG, 3-Conductor
- Weight (Drive plus Control Unit)10 Lbs.

Support Bearing

- For use with the U-105 Antenna Rotator
- Provides extra support for the U-105 rotator drive unit bearings
- All ball bearing design
- Relieves wear and tear on rotator imposed by wind loads
- Weather-tight seal protects TB-105 Support Bearing against the elements
- All mounting hardware supplied
- The optional TB-105 Support Bearing is available for use with the U-105 Rotator when extra sturdy installation is desired.



TB-105



Downloaded by
RadioAmateur.EU