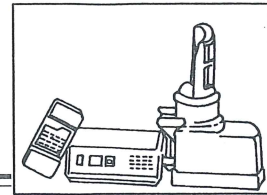


## Programmable Antenna Rotor with infrared remote

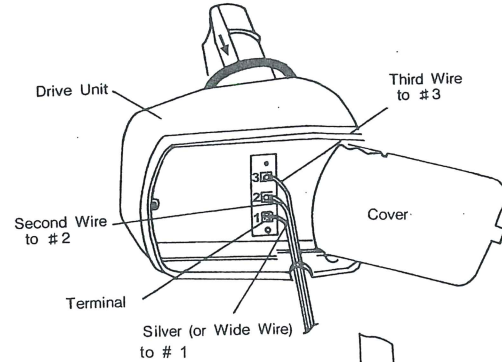
### INSTRUCTION MANUAL



## OUTDOOR DRIVE UNIT INSTALLATION

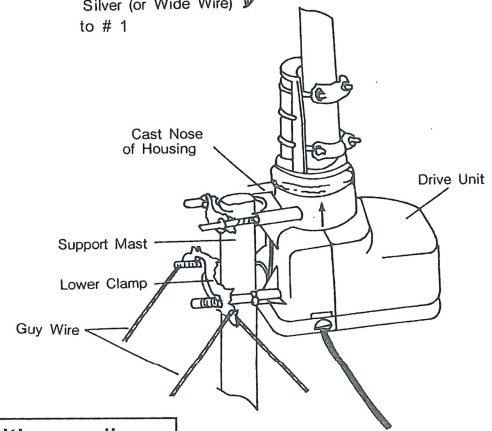
### STEP 1 DRIVE UNIT CONNECTION

Up to 280' (84m) of 20AWG 3 conductor cable may be used. For longer runs, use heavier gage wire. To attach cable to the drive unit, snap open the cover using a screw driver and connect the cable as shown. Remove the grommet and insert the cable thru the slot. Press the grommet back into the housing. Separate leads for 1 1/2" (4cm) and strip off the insulation for 1/2". Find the silver or wide jacketed lead and connect it to Terminal 1. Connect the adjacent lead to Terminal 2, and the next lead to Terminal 3. If 4 wire cable is used, connect both wire 3 and 4 to Terminal 3. Make sure there are no loose strands which can short between terminals. Recheck the wiring order and securely close the cover. To avoid moisture collecting in the cable be sure jacket of cable passes thru the grommet.



### STEP 2 DRIVE UNIT MOUNTING

If not mounted inside a tower, attach the drive unit to the support mast by loosening the nuts enough to get the clamps over the mast. Lower the drive unit until the cast nose of the drive housing sits on top of the support mast and tighten the nuts. Moderate tightening of the nuts with a 7/16" wrench will cause the teeth to grip the mast securely. Do not over tighten to the point that you deform the mast, since this will reduce its strength. Mast diameters of 1 1/4" to 2" (3-5cm) may be used. The 1 1/2" (3.8cm) size or larger is recommended for guyed masts over 6' long, or where large antennas are used. If guy wires are used, fasten two through each of the two holes of the lower clamp.

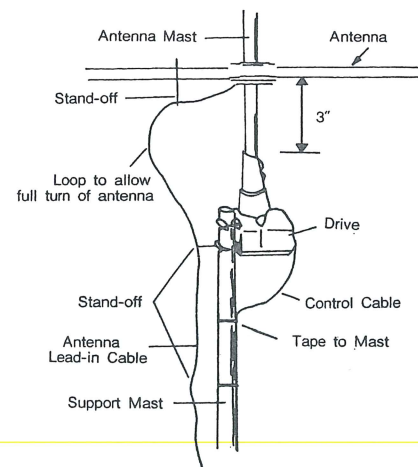


**CAUTION:** Select a mounting location where the antenna cannot come in contact with power lines while it is being installed, and where the installation will not fall across power lines if a guy wire should fail.

### STEP 3 ANTENNA/CABLE INSTALLATION

After connecting the antenna lead-in cable to the antenna fasten it to the antenna mast using stand-off insulators as shown. Provide a generous loop at the drive unit and attach lead-in cable to the support mast with stand-off insulators approximately every four feet. Tape the rotator control cable directly to the support mast.

**NOTE:** Optional support bearing TB-105 is available for use with the U-106 rotor when extra sturdy installation is desired.



## INDOOR CONTROL UNIT INSTALLATION & PROGRAMMING

**STEP 1-** Determine proper rotor cable size and strip about 1/2" of each conductor Jacket off. Insert bare conductor into connector plate of rear of control unit as shown in fig.1. Then, release jacket to secure on connector per fig.2.

**NOTE:** It is important that unit be wired correctly. Damage can result from improper wiring.

fig.1

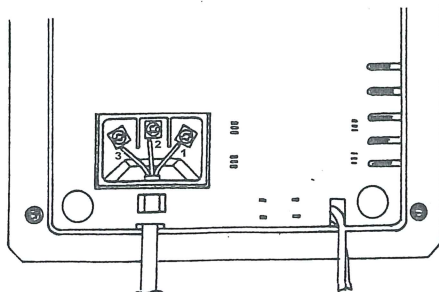
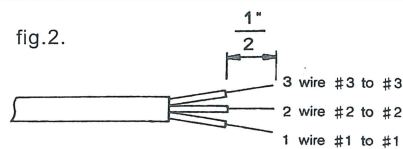


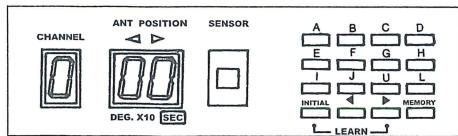
fig.2.



**STEP 2-** Plug power cord of the control unit into AC outlet.

**STEP 3-A.** Power on

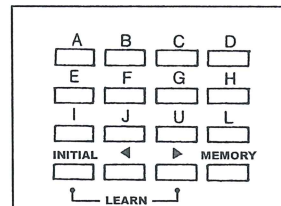
- B. Press the "INITIAL" key, rotator will synchronizely return to home position control unit ⇒ ANT POSITION display will flash & shows 36 to 0.
- C. Then Press "INITIAL" & "▶" at the same time rotator will forward to original position, until rotator position = 360°, at the same time relax "INITIAL" & "▶"
- D. Then repeat B.



**NOTE:** After storm or power failure, the rotator may appear in a different Position, use the "INITIAL" key to re-synchronize the system. If this fails, the antenna or driver motor may be miss aligned on the antenna mast. You may either go to the antenna and re-orient it or program the control unit to correspond to the new antenna orientation.

**STEP 4-** Tune your TV to the station that you want to receive.

- A. While watching the TV move the antenna. back & forth with the "▶" (clock-wise) & "◀" (counter clock-wise) keys until the best picture is obtained.
- B. Press the "MEMORY" key, the ANT. POSITION indicator will flash.
- C. There are 12 memory "location" keys (A.B.C.D.E.F.G.H.I.J.U.L.), press the one in which you want to store the station's position. This position is now stored for later use. Indicator will display antenna degree.
- D. Repeat the above procedure for each location. Up to 12 station position may be stored. A single programmed location will be suitable for all stations that come from any particular direction.

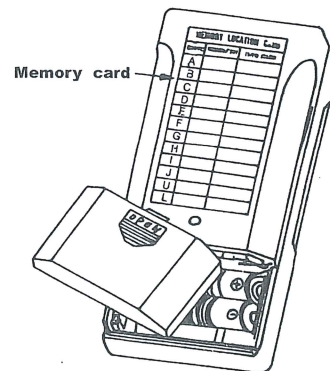
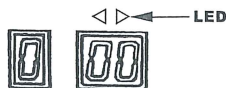


**NOTE:** After pressing the "memory" keys if you want to stop the memory function. then press "memory" key again. A convenient memory location card is found on the back of the remote control. Write all the appropriate memory CHANNEL location letter or this card.

**STEP 5-** Install two 1.5 volt battery into infrared remote control. stations that come from any particular direction.

**© CLEAR MEMORY**

- a. Turn off, power press "D" key and turn on power at the same time, after the lamp "◀▶" LED on, the memory is cleared,
- b. If memory is cleared control unit must initial and learn again.



### OPERATION

1. Automatic positioning: After controller unit has been programmed using the remote control or keypad on control unit. press the location key (A.B.C.D.E.F.G.H.I.H.U.L) corresponding to the station, and the antenna will turn to the position indicator will display ANTENNA POSITION degree.
2. MANUAL POSITIONING & FINE TUNING  
Press the "▶" (clock-wise) or "◀" (counter clock-wise) keys on the control unit or remote control to adjust the antenna position or fine tuning.

### SERVICE INFORMATION

1. Unplug this video product from the wall outlet and disconnect with the TV set before taking the service.
2. Read the electric circuit schematic diagram attached carefully before taking the service.
3. Use only those replacement parts having electric characteristics as same as shown in the diagram attached.
4. Make leakage-current or resistance measurement to determine that exposed parts are acceptably insulated from the supply circuit before returning this appliance to the customer.