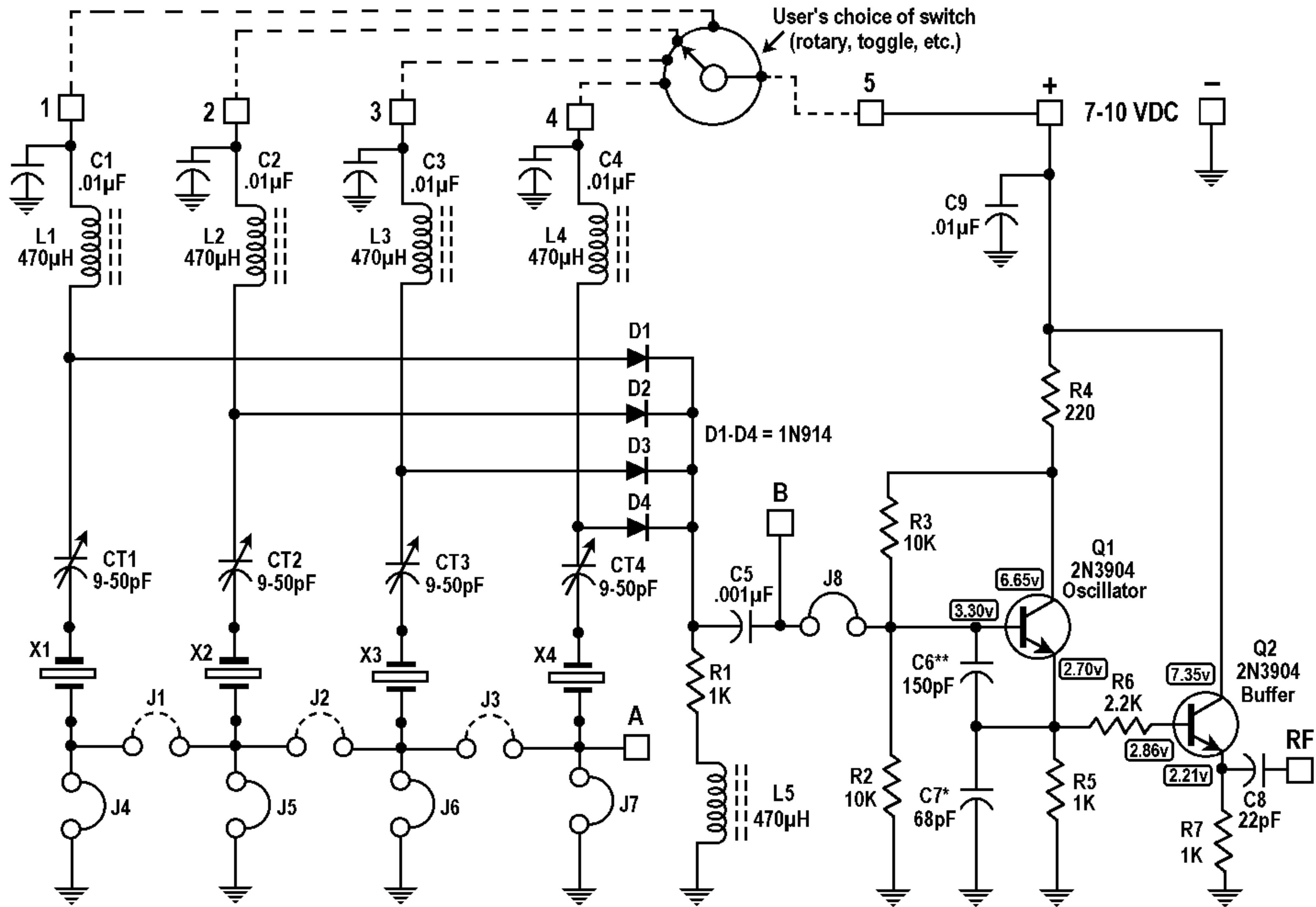


EXPANDER 160 SCHEMATIC CIRCUIT DIAGRAM



*For fundamental xtals over 20 MHz, increase to 120pF. NOTE: 36 MHz xtals are Third Overtone cut (12 MHz) and will oscillate with circuit values shown.

**For xtals under 10 MHz, increase to 220pF.