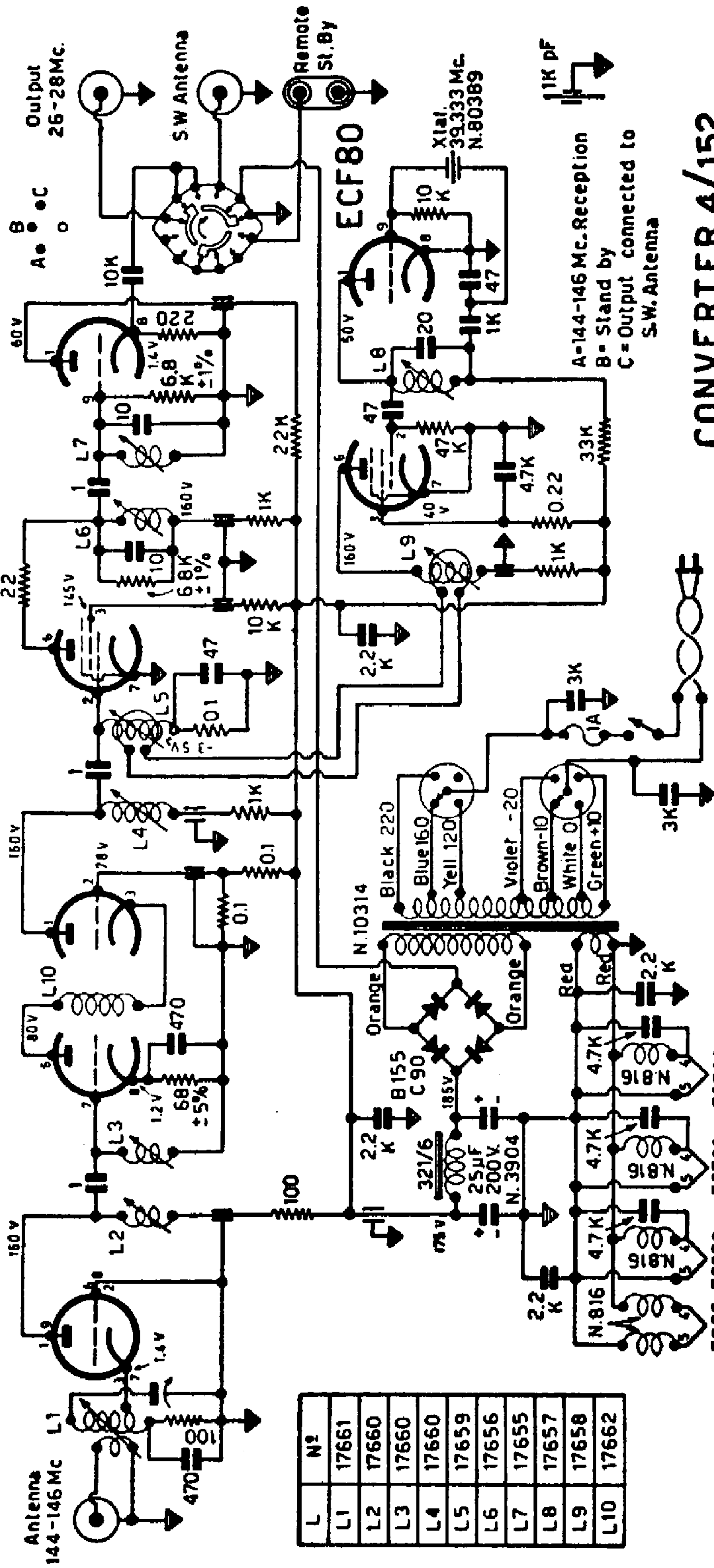


EC86

ECC88

ECF80



L	N <sup>o</sup>
L1	17661
L2	17660
L3	17660
L4	17660
L5	17659
L6	17656
L7	17655
L8	17657
L9	17658
L10	17662

CONVERTER 4/152

BAND 144 + 146 MC.

A=144-146 Mc. Reception  
 B= Stand by  
 C= Output connected to S.W. Antenna

Xtal. 39.333 Mc. N.80389

ECF80

Remote St. By

Output 26-28 Mc.

S.W. Antenna

A B C

60V

160V

160V

160V

160V

160V

160V

160V