

# ME4-T 4m LINEAR TRANSVERTER

## TECHNICAL DATA:

### TX SECTION:

Input frequency.....	27.9-29MHz
Output frequency.....	69.9-71MHz
Drive power.....	-18..+37dBm/...0.dBm is factory set/
Output power.....	25W min.
Spurious suppression.....	> 60dB
LO accuracy @ 20C .....	typ +/- 10ppm

### RX SECTION:

Input frequency.....	69.9-71MHz
IF frequency.....	27.9-29MHz
Noise figure.....	1.5dB
Conversion Gain.....	22dB typ
General Power requirements.....	13.8V DC
Current drawn on receive/transmit.....	0.2A/5A max.
LO frq stability (0- +30C).....	typ. +/- 10ppm
Intercept point.....	+7dBm

## ME4-T Connection and operating instructions

### Front Panel controls:

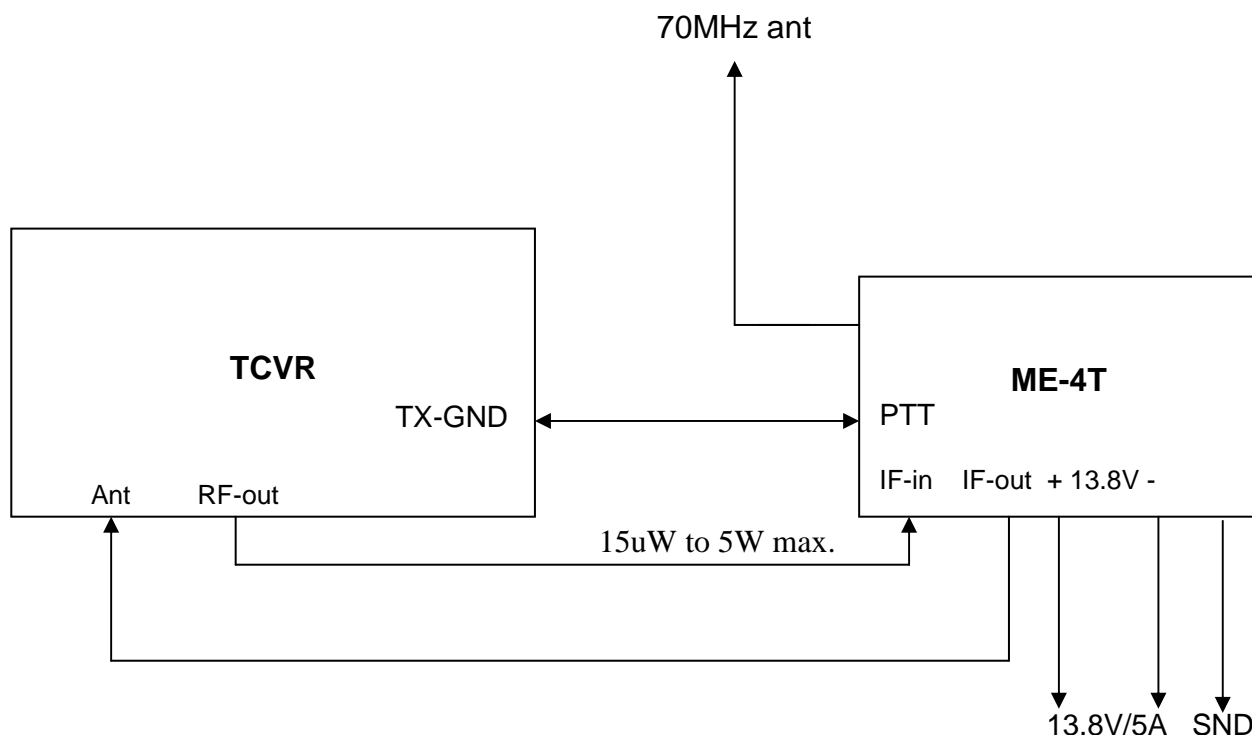
<b>Switch „ON”</b>	Provides power to the transverter, The „ON” LED indicator should light
<b>PWR</b>	Output power control (approx 5-25W)
<b>ON LED</b>	Indicates ON status of the equipment.
<b>RX LED</b>	Indicates the receiving status of transverter.
<b>TX LED</b>	Lights when the transverter is on transmit position (PTT input is on GND)
<b>LED Bargraph</b>	Indicates the relative RF output power of transverter.

**Rear Panel connections:**

- ANT (UHF )** An UHF type connector is provided for 70MHz RF input & output.
- PTT (RCA)** This connector provides a connection to the TCVR PTT line. A ground on this line places the transverter into transmit mode.(+13.8V/40mA)
- IF in (BNC)** Apply 28MHz drive to this connector. The input level is -18...+37dBm, You can set the attenuator with jumpers. See:  
<http://www.halya.hu/htmkepek/me4ttransv.htm>  
On case single IF cable mode connector is common IF TX/RX.
- IF out (BNC)** IF (receive) output is available at this connector. Do not apply RF power to this connector!  
On case single IF cable mode this connector is open.
- SND out (RCA)** Send open collector output to external PA's( 50V/200mA max)
- DC SUPPLY Conn** DC connector, 20A type.

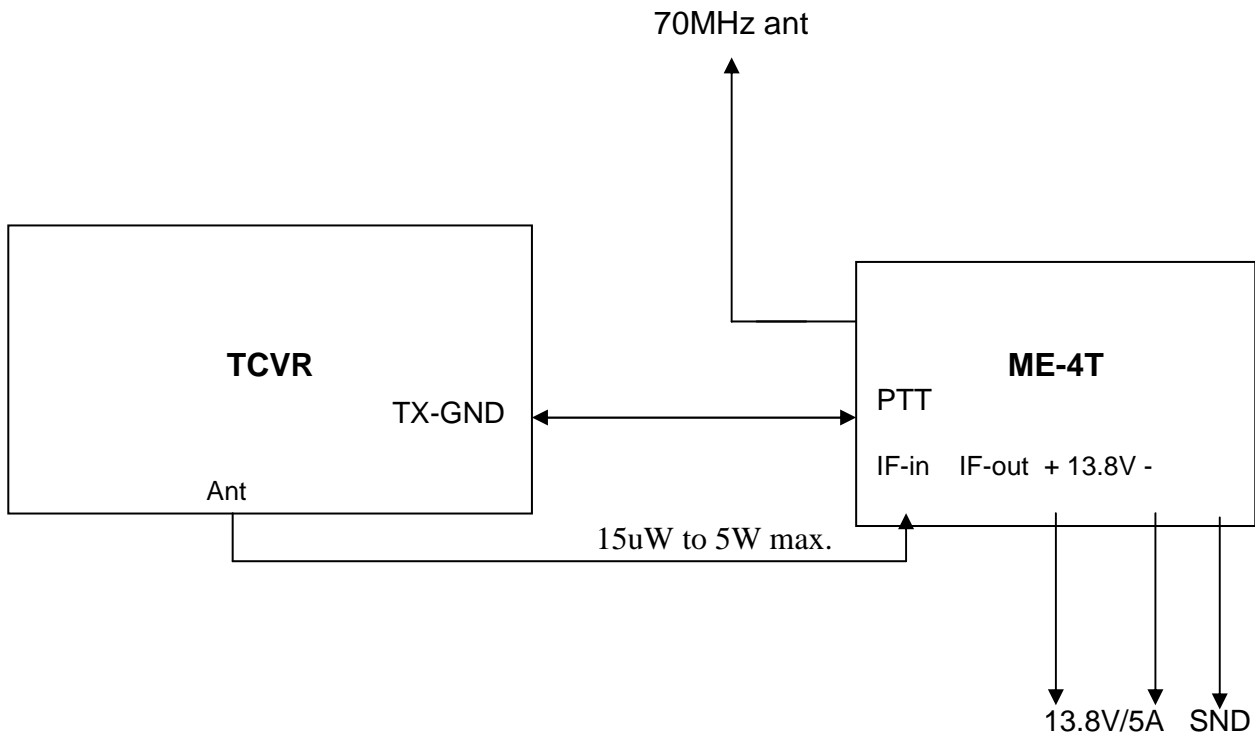
**Cable connections:**

Two IF cable connecting on case low or high power(max. 5W) out TCVR's



**Switch OFF the PA of your TCVR or set to max 5W out!**

Single cable connecting on case low or high power out TCVR's



Switch OFF the PA of your TCVR or set to max 5W out!

Using transverter with high power radio(100w) is your own risk,  
NEVER use higher power than 5W! Another case you will lost the warranty.

Setting of 28MHz input level:

1. Set the PWR knob to right full clockwise.
2. TX cw mode set the IF poti -over the top cover slots- up to full scale(25W) on the led bargraph.
3. You can reduce the output power with the PWR poti from appr.5W to 25W output.

More technical info, attenuator jumper settings etc: [www.ha1ya.hu/htmkepek/me4ttransv.htm](http://www.ha1ya.hu/htmkepek/me4ttransv.htm)

**Attenuator jumper settings:**

<b>Low PWR IF input (-18..+27dBm) 2x IF cable connection</b>		<b>Low PWR IF input (-18..+27dBm) 1x IF cable connection</b>	
J1	ON		ON
J2	OFF		ON
J3	OFF		OFF
J4	OFF		ON
J5	ON		OFF

<b>High PWR IF input (27..+37dBm) 2x IF cable connection</b>		<b>High PWR IF input (27..+37dBm) 1x IF cable connection</b>	
J1	OFF		OFF
J2	ON		ON
J3	ON		ON
J4	OFF		ON
J5	ON		OFF

Factory set: Two IF cable, 0dBm IF input.( 1mW)