

DR-135 / DR-235 / DR-435

Service Manual

CONTENTS

SPECIFICATIONS

GENERAL	2
TRANSMITTER	2
RECEIVER	2

CIRCUIT DESCRIPTION DR-135

1) Receiver System (DR-135)	3, 4
2) Transmitter System (DR-135)	4, 5
3) PLL Synthesizer Circuit (DR-135)	5, 6
4) Receiver System (DR-235)	6, 7
5) Transmitter System (DR-235)	7, 8
6) PLL Synthesizer Circuit (DR-235)	8, 9
7) Receiver System (DR-435)	9, 10
8) Transmitter System (DR-435)	10
9) PLL Synthesizer Circuit (DR-435)	11
10) CPU and Peripheral Circuits(DR-135 DR-235 DR-435)	11,12
11) Power Supply Circuit	13
12) M3826M8269GP (XA0818)	14-16

SEMICONDUCTOR DATA

1) M5218FP (XA0068)	17
2) NJM7808FA (XA0102)	17
3) TC4S66F (XA0115)	17
4) TK10930VTL (XA0223)	18
5) BU4052BF (XA0236)	19
6) TC4W53FU (XA0348)	19
7) M64076GP (XA0352)	20
8) LA4425A (XA0410)	21
9) M67746 (XA0412)	21
10) M68729 (XA0591)	22
11) M57788 (XA0077A)	23
12) mPC2710T (XA0449)	24
13) NJM2902 (XA0596)	24
14) 24LC32A (XA0604)	25
15) S-80845ALMP-EA9-T2 (XA0620)	25
16) L88MS05TLL (XA0675)	25
17) AN8010M (XA0119)	26
18) TK10489M (XA0314)	26
19) Transistor, Diode, and LED Outline Drawings	27
20) LCD Connection (TTR3626UPFDHN)	28

EXPLODED VIEW

1) Top and Front View	29
2) Bottom View	30
3) LCD Assembly	31

PARTS LIST

CPU	32, 33
Main Unit(DR-135)	33-36
Main Unit(DR-235)	36-39
VCO Unit(DR-235)	39
Main Unit(DR-435)	42
VCO Unit(DR-435)	42

Mechanical Parts	43
Packing Parts	43
ACCESSORIES	43
ACCESSORIES(SCREW SET)	43
TNC(EJ41U)	44
TNC (EJ41U) Packing Parts	45

DR-135 ADJUSTMENT

1) Adjustment Spot	46
2) VCO and RX Adjustment Specification	47
3) Tx Adjustment Specification	47
4) Rx Test Specification	48
5) Tx Test Specification	49

DR-235 ADJUSTMENT

1) Adjustment Spot	50
2) VCO and RX Adjustment Specification	51
3) Tx Adjustment Specification	51
4) Rx Test Specification	52
5) Tx Test Specification	53

DR-435 ADJUSTMENT

1) Adjustment Spot	54
2) VCO and RX Adjustment Specification	55
3) Tx Adjustment Specification	55
4) Rx Test Specification	56
5) Tx Test Specification	57

PC BOARD VIEW

1) CPU Unit Side A	58
2) CPU Unit Side B	58
3) Main Unit Side A DR-135 (UP 0400B)	59
4) Main Unit Side B DR-135 (UP 0400B)	59
5) Main Unit Side A DR-235 (UP 0414)	60
6) Main Unit Side B DR-235 (UP 0414)	60
7) Main Unit Side A DR-435 (UP 0415)	61
8) Main Unit Side B DR-435 (UP 0415)	61
9) Tnc Unit Side A (UP 0402) (DR-135TP only)	62
10) Tnc Unit Side B (UP 0402) (DR-135TP only)	62

SCHEMATIC DIAGRAM

1) CPU Unit DR-135 / DR-235 / DR-435	63
2) Main Unit DR-135	64
3) Main Unit DR-235	65
4) Main Unit DR-435	66
5) TNC Unit (DR-135TP only)	67

BLOCK DIAGRAM

1) DR-135	68
2) DR-235	69
3) DR-435	70

ALINCO, INC.

Downloaded by
RadioAmateur.EU

SPECIFICATIONS

Downloaded by RadioAmateur.EU

■ General

Frequency coverage	DR-135	DR-235	DR-435
T,TG (U.S amateur)	118.000 ~ 135.995MHz (AM RX) 136.000 ~ 173.995MHz (RX) 144.000 ~ 147.995MHz (TX)	216.000 ~ 279.995MHz (RX) 222.000 ~ 224.995MHz (TX)	350.000 ~ 511.995MHz (RX) 430.000 ~ 449.995MHz (TX)
E,EG (European amateur)	144.000 ~ 145.995MHz (RX.TX)		430.000 ~ 439.995MHz (RX.TX)
TA,TAG (Commercial)	118.000 ~ 135.995MHz (AM RX) 136.000 ~ 173.995MHz (RX.TX)		

Operating mode	FM 16K0F3E (Wide mode) 8K50F3E (Narrow mode)		
Frequency resolution	5,8,33,10,12.5,15,20,25,30,50 KHz		
Number of memory channels	100		
Antenna impedance	50Ω unbalanced		
Power requirement	13.8V DC ±15% (11.7 to 15.8V)		
Ground method	Negative ground		
Current drain Receive	0.6A(Max.) 0.4A(Squelched)		
Transmit	11.0A max.	8.0A max.	10.0A max.
Operating temperature	- 10°C to 60°C		
Frequency stability	±5ppm		
Dimensions	142(w)×40(h)×174(d) mm (142×40×188mm for projection included)		
Weight	Approx. 1.0kg		

■ Transmitter

Output power	High:50W (144-148MHz)	High:25W	High:35W
	More than 33W (136-174MHz)		
	Mid:10W	Mid:10W	Mid:10W
	Low:Approx.5W	Low:Approx.5W	Low:Approx.5W
Modulation system	Variable reactance frequency modulation		
Maximum frequency deviation	±5kHz (Wide mode) ±2.5kHz (Narrow mode)		
Spurious emission	-60dB		
Adjacent channel power	-60dB		
Noise and hum ratio	-40dB (Wide mode) -34dB (Narrow mode)		
Microphone impedance	2kΩ		

■ Receiver

Sensitivity	-16dBu for 12dB SINAD		
Receiver circuitry	Double conversion superheterodyne		
Intermediate frequency	1st 21.7MHz 2nd 450kHz	1st 30.85MHz 2nd 455kHz	1st 30.85MHz 2nd 455kHz
Squelch sensitivity	-18dBu		
Adjacent channel selectivity	-65dB(Wide mode) -55dB(Narrow mode)		
Intermodulation rejection ratio	60dB		
Spurious and image rejection ratio	70dB		
Audio output power	2.0W (8Ω,10%THD)		

! Note: All specifications are subject to change without notice or obligation.

CIRCUIT DESCRIPTION DR-135/DR-235/DR-435

1) Receiver System (DR-135)

The receiver system is a double superheterodyne system with a 21.7 MHz first IF and a 450 kHz second IF.

1. Front End

The received signal at any frequency in the 136.000MHz to 173.995MHz range is passed through the low-pass filter (L116, L115, L114, L113, C204, C203, C202, C216 and C215) and tuning circuit (L105, L104 and D105, D104), and amplified by the RF amplifier (Q107). The signal from Q107 is then passed through the tuning circuit (L103, L102, and varicaps D103 and D102) and converted into 21.7 MHz by the mixer (Q106). The tuning circuit, which consists of L105, L104, varicaps D105 and D104, L103, L102, varicaps D103 and D102, is controlled by the tracking voltage from the VCO. The local signal from the VCO is passed through the buffer (IC112), and supplied to the source of the mixer (Q106). The radio uses the lower side of the superheterodyne system.

2. IF Circuit

The mixer mixes the received signal with the local signal to obtain the sum and difference between them. The crystal filter (XF102, XF101) selects 21.7 MHz frequency from the results and eliminates the signals of the unwanted frequencies. The first IF amplifier (Q105) then amplifies the signal of the selected frequency.

3. Demodulator Circuit

After the signal is amplified by the first IF amplifier (Q105), it is input to pin 24 of the demodulator IC (IC108). The second local signal of 21.25 MHz (shared with PLL IC reference oscillation), which is oscillated by the internal oscillation circuit in IC116 and crystal (X103), is input through pin 1 of IC108. Then, these two signals are mixed by the internal mixer in IC108 and the result is converted into the second IF signal with a frequency of 450 kHz. The second IF signal is output from pin 3 of IC108 to the ceramic filter (FL101 or FL102), where the unwanted frequency band of that signal is eliminated, and the resulting signal is sent back to the IC108 through pins 5.

The second IF signal input via pin 5 is demodulated by the internal limiter amplifier and quadrature detection circuit in IC108, and output as an audio signal through pin 12.

4. Audio Circuit

The audio signal from pin 12 of IC108 is amplified by the audio amplifier (IC104:A), and switched by the signal switch IC (IC111) and then input it to the de-emphasis circuit.

and is compensated to the audio frequency characteristics in the de-emphasis circuit (R203, R207, R213, R209, C191, C218, C217) and amplified by the AF amplifier (IC104:D). The signal is then input to volume (VR1). The adjusted signal is sent to the audio power amplifier (IC117) through pin 1 to drive the speaker.

5. Squelch Circuit

The detected output which is outputted from the pin 12 of IC108 is inputted to pin 19 of IC108 after it was been amplified by IC104:A and it is outputted from pin 20 after the noise component was been eliminated from the composed band pass filter in the built in amplifier of the IC, then the signal is rectified by D106 to convert into DC component. The adjusted voltage level at VR101 is delivered to the comparator of the CPU.

The voltage is led to pin 2 of CPU and compared with the setting voltage. The squelch will open if the input voltage is lower than the setting voltage.

During open squelch, pin 30 (SQC) of the CPU becomes "L" level, AF control signal is being controlled and sounds is outputted from the speaker.)

6. AIR Band Reception(T only)

When the frequency is within 118~135.995MHz, Q110 automatically turns ON, pin 14 of IC108 becomes "L" level and the condition becomes in AM detection mode.

The receiver signal passed through the duplexer is let to the antenna switch (D107,D101). After passing through the band-pass filter, the signal is amplified by RF amplifier Q112. Secondly the signal is mixed with the signal from the first local oscillator in the first-mixer Q106,then converted into the first IF. Its unwanted signal is let to IC106, pin24. Then converted into the second IF. and is demodulated by AM decoder of IC106, and is output from pin13 as the AF signal.

7. WIDE/NARROW switching circuit

The 2nd IF 450 kHz signal which passes through filter FL101 (wide) and FL102 (narrow) during narrow, changes its width using the width control switching IC103 and IC102.

2) Transmitter System (DR-135)

1. Modulator Circuit

The audio signal is converted to an electrical signal by the microphone, and input it to the microphone amplifier (Q6). Amplified signal which passes through mic-mute control IC109 is adjusted to an appropriate mic-volume by means of mic-gain adjust VR106.

IC114:A and B consists of two operational amplifiers; one amplifier (pins 1, 2, and 3) is composed of pre-emphasis and IDC circuits and the other (pins 5, 6, and 7) is composed of a splatter filter. The maximum frequency deviation is obtained by VR107. and input to the signal switch (IC113) (9600 bps packet signal input switch) and input to the cathode of the varicap of the VCO, to change the electric capacity in the oscillation circuit. This produces the frequency modulation.

2. Power Amplifier Circuit

The transmitted signal is oscillated by the VCO, amplified by the drive amplifier (IC112) and younger amplifier (Q115), and input to the final power module (IC110). The signal is then amplified by the final power module (IC110) and led to the antenna switch (D110) and low-pass filter (L113, L114, L115, L116, C215, C216, C202, C203 and C204), where unwanted high harmonic waves are reduced as needed, and the resulting signal is supplied to the antenna.

3. APC Circuit

Part of the transmission power from the low-pass filter is detected by D111 and D112, converted to DC. The detection voltage is passed through the APC circuit (Q118, Q117, Q116), then it controls the APC voltage supplied to the younger amplifier Q115 and the final power module IC110 to fix the transmission power.

3) PLL Synthesizer Circuit (DR-135)

1. PLL

The dividing ratio is obtained by sending data from the CPU (IC1) to pin 2 and sending clock pulses to pin 3 of the PLL IC (IC116). The oscillated signal from the VCO is amplified by the buffer (Q134 and Q135) and input to pin 15 of IC116. Each programmable divider in IC116 divides the frequency of the input signal by N according to the frequency data, to generate a comparison frequency of 5 or 6.25 kHz.

2. Reference Frequency Circuit

The reference frequency appropriate for the channel steps is obtained by dividing the 21.25 MHz reference oscillation (X103) by 4250 or 3400, according to the data from the CPU (IC1). When the resulting frequency is 5 kHz, channel steps of 5, 10, 15, 20, 25, 30, and 50 kHz are used. When it is 6.25 kHz, the 12.5 kHz channel step is used.

3. Phase Comparator Circuit

The PLL (IC116) uses the reference frequency, 5 or 6.25kHz. The phase comparator in the IC116 compares the phase of the frequency from the VCO with that of the comparison frequency, 5 or 6.25kHz, which is obtained by the internal divider in IC116.

4. PLL Loop Filter Circuit

If a phase difference is found in the phase comparison between the reference frequency and VCO output frequency, the charge pump output (pin 13) of IC116 generates a pulse signal, which is converted to DC voltage by the PLL loop filter and input to the varicap of the VCO unit for oscillation frequency control.

5. VCO Circuit

A Colpitts oscillation circuit driven by Q131 directly oscillates the desired frequency. The frequency control voltage determined in the CPU (IC1) and PLL circuit is input to the varicaps (D122 and D123). This change the oscillation frequency, which is amplified by the VCO buffer (Q134) and output from the VCO area.

6. VCO Shift Circuit

During transmission or the AIR band Reception (118~136 MHz), the VCO shift circuit turns ON Q138, change control the capacitance of L123 and safely oscillates the VCO by means of H signal from pin 16 of IC116.)

4) Receiver System (DR-235)

The receiver system is a double superheterodyne system with a 30.85 MHz first IF and a 455 kHz second IF.

1. Front End

The received signal at any frequency in the 216.000MHz to 279.995MHz range is passed through the low-pass filter (L116, L115, L114, L113, C204, C203, C202, C216 and C215) and tuning circuit (L105, L104 and D105, D104), and amplified by the RF amplifier (Q107). The signal from Q107 is then passed through the tuning circuit (L103, L107, L102, and varicaps D103, D107 and D102) and converted into 30.85 MHz by the mixer (Q106). The tuning circuit, which consists of L105, L104, varicaps D105 and D104, L103, L107, L102, varicaps D103, D107 and D102, is controlled by the tracking voltage from the VCO. The local signal from the VCO is passed through the buffer (Q112), and supplied to the source of the mixer (Q106). The radio uses the lower side of the superheterodyne system.

2. IF Circuit

The mixer mixes the received signal with the local signal to obtain the sum of and difference between them. The crystal filter (XF102, XF101) selects 30.85 MHz frequency from the results and eliminates the signals of the unwanted frequencies. The first IF amplifier (Q105) then amplifies the signal of the selected frequency.

3. Demodulator Circuit

After the signal is amplified by the first IF amplifier (Q105), it is input to pin 24 of the demodulator IC (IC108). The second local signal of 30.395 MHz, which is oscillated by the internal oscillation circuit in IC108 and crystal (X104), is input through pin 1 of IC108. Then, these two signals are mixed by the internal mixer in IC108 and the result is converted into the second IF signal with a frequency of 455 kHz. The second IF signal is output from pin 3 of IC108 to the ceramic filter (FL101 or FL102), where the unwanted frequency band of that signal is eliminated, and the resulting signal is sent back to the IC108 through pins 5. The second IF signal input via pin 5 is demodulated by the internal limiter amplifier and quadrature detection circuit in IC108, and output as an audio signal through pin 12.

4. Audio Circuit

The audio signal from pin 12 of IC108 is amplified by the audio amplifier (IC104:A), and switched by the signal switch IC (IC111) and then input it to the de-emphasis circuit.

and is compensated to the audio frequency characteristics in the de-emphasis circuit (R203, R207, R213, R209, C191, C218, C217) and amplified by the AF amplifier (IC104:D). The signal is then input to volume (VR1) . The adjusted signal is sent to the audio power amplifier (IC117) through pin 1 to drive the speaker.

5. Squelch Circuit

The detected output which is outputted from the pin 12 of IC108 is inputted to pin 19 of IC108 after it was been amplified by IC104:A and it is outputted from pin 20 after the noise component was been eliminated from the composed band pass filter in the built in amplifier of the IC, then the signal is rectified by D106 to convert into DC component. The adjusted voltage level at VR101 is delivered to the comparator of the CPU.

The voltage is led to pin 2 of CPU and compared with the setting voltage. The squelch will open if the input voltage is lower than the setting voltage.

During open squelch, pin 30 (SQC) of the CPU becomes "L" level, AF control signal is being controlled and sounds is outputted from the speaker.)

6. AIR Band Reception(T only)

If it is made air band receiving mode, IF signal is demodulated by AM decoder of IC106, and is output from pin13 as the AF signal.

7. WIDE/NARROW switching circuit

The 2nd IF 455 kHz signal which passes through filter FL101 (wide) and FL102 (narrow) during narrow, changes its width using the width control switching IC103 and IC102.

5) Transmitter System (DR-235)

1. Modulator Circuit

The audio signal is converted to an electrical signal by the microphone, and input it to the microphone amplifier (Q6). Amplified signal which passes through mic-mute control IC109 is adjusted to an appropriate mic-volume by means of mic-gain adjust VR106.

IC114:A and B consists of two operational amplifiers; one amplifier (pins 1, 2, and 3) is composed of pre-emphasis and IDC circuits and the other (pins 5, 6, and 7) is composed of a splatter filter. The maximum frequency deviation is obtained by VR107. and input to the signal switch (IC113) (9600 bps packet signal input switch) and input to the cathode of the varicap of the VCO, to change the electric capacity in the oscillation circuit. This produces the frequency modulation.

2. Power Amplifier Circuit

The transmitted signal is oscillated by the VCO, amplified by the drive amplifier (IC112) and younger amplifier (Q115), and input to the final power module (IC110). The signal is then amplified by the final power module (IC110) and led to the antenna switch (D110) and low-pass filter (L113, L114, L115, L116, C215, C216, C202, C203 and C204), where unwanted high harmonic waves are reduced as needed, and the resulting signal is supplied to the antenna.

3. APC Circuit

Part of the transmission power from the low-pass filter is detected by D111 and D112, converted to DC. The detection voltage is passed through the APC circuit (Q118, Q117, Q116), then it controls the APC voltage supplied to the younger amplifier Q115 and the final power module IC110 to fix the transmission power.

6) PLL Synthesizer Circuit (DR-235)

1. PLL

The dividing ratio is obtained by sending data from the CPU (IC1) to pin 2 and sending clock pulses to pin 3 of the PLL IC (IC501). The oscillated signal from the VCO is amplified by the buffer (Q504 and Q501) and input to pin 15 of IC501. Each programmable divider in IC501 divides the frequency of the input signal by N according to the frequency data, to generate a comparison frequency of 5 or 6.25 kHz.

2. Reference Frequency Circuit

The reference frequency appropriate for the channel steps is obtained by dividing the 12.8 MHz reference oscillation (X103) by 2560 or 2048, according to the data from the CPU (IC1). When the resulting frequency is 5 kHz, channel steps of 5, 10, 15, 20, 25, 30, and 50 kHz are used. When it is 6.25 kHz, the 12.5 kHz channel step is used.

3. Phase Comparator Circuit

The PLL (IC501) uses the reference frequency, 5 or 6.25kHz. The phase comparator in the IC501 compares the phase of the frequency from the VCO with that of the comparison frequency, 5 or 6.25kHz, which is obtained by the internal divider in IC501.

4. PLL Loop Filter Circuit

If a phase difference is found in the phase comparison between the reference frequency and VCO output frequency, the charge pump output (pin 13) of IC501 generates a pulse signal, which is converted to DC voltage by the PLL loop filter and input to the varicap of the VCO unit for oscillation frequency control.

5. VCO Circuit

A Colpitts oscillation circuit driven by Q503 directly oscillates the desired frequency. The frequency control voltage determined in the CPU (IC1) and PLL circuit is input to the varicaps (D503 and D504). This change the oscillation frequency, which is amplified by the VCO buffer (Q504) and output from the VCO area.

7) Receiver System (DR-435)

The receiver system is a double superheterodyne system with a 30.85 MHz first IF and a 455 kHz second IF.

1. Front End

The received signal at any frequency in the 430.00MHz to 439.995MHz range is passed through the low-pass filter (L115, L114, L116, C204, C203, C202, C216 and C215) and amplified by the RF amplifier (Q107). The signal from Q107 is then passed through the BPF circuit (L103, L102) and converted into 30.85 MHz by the mixer (Q106). The local signal from the VCO is passed through the buffer (Q503,Q504), and supplied to the source of the mixer (Q106). The radio uses the lower side of the superheterodyne system.

2. IF Circuit

The mixer mixes the received signal with the local signal to obtain the sum of and difference between them. The crystal filter (XF101) selects 30.85MHz frequency from the results and eliminates the signals of the unwanted frequencies. The first IF amplifier (Q105) then amplifies the signal of the selected frequency.

3. Demodulator Circuit

After the signal is amplified by the first IF amplifier (Q105), it is input to pin 20 of the demodulator IC (IC108). The second local signal of 30.85MHz (Crystal oscillator) is input pin 1 of IC108. Then, these two signals are mixed by the internal mixer in IC108 and the result is converted into the second IF signal with a frequency of 455 kHz. The second IF signal is output from pin 4 of IC108 to the ceramic filter (FL101 or FL102), where the unwanted frequency band of that signal is eliminated, and the resulting signal is sent back to the IC108 through pins 6.

The second IF signal input via pin 6 is demodulated by the internal limiter amplifier and quadrature detection circuit in IC108, and output as an audio signal through pin 11.

4. Audio Circuit

The audio signal from pin 11 of IC108 is amplified by the audio amplifier (IC104:A), and switched by the signal switch IC (IC111) and then input it to the de-emphasis circuit.

and is compensated to the audio frequency characteristics in the de-emphasis circuit (R203, R207, R213, R209, C191, C218, C217) and amplified by the AF amplifier (IC104:D). The signal is then input to volume (VR1). The adjusted signal is sent to the audio power amplifier (IC117) through pin 1 to drive the speaker.

5. Squelch Circuit

The detected output which is outputted from the pin 11 of IC108 is inputted to pin 13 of IC108 after it was been amplified by IC104:A and it is outputted from pin 14 after the noise component was been eliminated from the composed band pass filter in the built in amplifier of the IC, then the signal is rectified by D106 to convert into DC component. The adjusted voltage level at VR101 is delivered to the comparator of the CPU.

The voltage is led to pin 2 of CPU and compared with the setting voltage. The squelch will open if the input voltage is lower than the setting voltage.

During open squelch, pin 30 (SQC) of the CPU becomes "L" level, AF control signal is being controlled and sounds is outputted from the speaker.

6. WIDE/NARROW switching circuit

The 2nd IF 455 KHz signal which passes through filter FL101 (wide) and FL102 (narrow) during narrow, changes its width using the width control switching IC103 and IC102.

8) Transmitter System (DR-435)

1. Modulator Circuit

The audio signal is converted to an electrical signal by the microphone, and input it to the microphone amplifier (Q6). Amplified signal which passes through mic. mute control IC109 is adjusted to an appropriate mic. volume by means of mic. gain adjust VR106.

IC114:A and B consists of two operational amplifiers; one amplifier (pins 1, 2, and 3) is composed of pre-emphasis and IDC circuits and the other (pins 5, 6, and 7) is composed of a splatter filter. The maximum frequency deviation is obtained by VR107. and input to the signal switch (IC113) (9600 bps packet signal input switch) and input to the cathode of the varicap of the VCO, to change the electric capacity in the oscillation circuit. This produces the frequency modulation.

2. Power Amplifier Circuit

The transmitted signal is oscillated by the VCO, amplified by the drive amplifier (Q131, Q125) and younger amplifier (Q115), and input to the final power module (IC110). The signal is then amplified by the final power module (IC110) and led to the antenna switch (D110) and low-pass filter (L116, L114, L115, C215, C216, C202, C203 and C204), where unwanted high harmonic waves are reduced as needed, and the resulting signal is supplied to the antenna.

3. APC Circuit

Part of the transmission power from the low-pass filter is detected by D111 and D112, converted to DC. The detection voltage is passed through the APC circuit(Q118, Q117, Q116), then it controls the APC voltage supplied to the younger amplifier Q115 and the final power module IC110 to fix the transmission power.

9) PLL Synthesizer Circuit (DR-435)

1. PLL

The dividing ratio is obtained by sending data from the CPU (IC1) to pin 2 and sending clock pulses to pin 3 of the PLL IC (IC501). The oscillated signal from the VCO is amplified by the buffer (Q503 and Q501) and input to pin 15 of IC501. Each programmable divider in IC501 divides the frequency of the input signal by N according to the frequency data, to generate a comparison frequency of 5 or 6.25 kHz.

2. Reference Frequency Circuit

The reference frequency appropriate for the channel steps is obtained by dividing the 21.25 MHz reference oscillation (X103) by 4250 or 3400, according to the data from the CPU (IC1). When the resulting frequency is 5 kHz, channel steps of 5, 8.33, 10, 15, 20, 25, 30, and 50 kHz are used. When it is 6.25 kHz, the 12.5 kHz channel step is used.

3. Phase Comparator Circuit

The PLL (IC501) uses the reference frequency, 5 or 6.25kHz. The phase comparator in the IC501 compares the phase of the frequency from the VCO with that of the comparison frequency, 5 or 6.25kHz, which is obtained by the internal divider in IC501.

4. PLL Loop Filter Circuit

If a phase difference is found in the phase comparison between the reference frequency and VCO output frequency, the charge pump output (pin 13) of IC501 generates a pulse signal, which is converted to DC voltage by the PLL loop filter and input to the varicap of the VCO unit for oscillation frequency control.

5. VCO Circuit

A Colpitts oscillation circuit driven by Q502 directly oscillates the desired frequency. The frequency control voltage determined in the CPU (IC1) and PLL circuit is input to the varicaps (D502 and D503). This change the oscillation frequency, which is amplified by the VCO buffer (Q503,504) and output from the VCO unit.

10) CPU and Peripheral Circuits (DR-135 DR-235 DR-435)

1. LCD Display Circuit

The CPU turns ON the LCD via segment and common terminals with 1/4 the duty and 1/3 the bias, at the frame frequency is 64Hz.

2. Dimmer Circuit

The dimmer circuit makes the output of pin 13 of CPU (IC1) into "H" level at set mode, so that Q9 and Q3 will turn ON to make the lamp control resistor R84 short and make its illumination bright. But on the other hand, if the dimmer circuit makes pin 13 into "L" level, Q9 and Q3 will turn OFF, R84's illumination will become dimmer as its hang on voltage falls down in the working LED (D11, D2, D5, D3 and D6).

3. Reset and Backup

When the power form the DC cable increases from Circuits 0 V to 2.5 or more, "H" level reset signal is output form the reset IC (IC4) to pin 33 of the CPU (IC1), causing the CPU to reset. The reset signal, however, waits at 100, and does not enter the CPU until the CPU clock (X1) has stabilized.

4. S(Signal) Meter Circuit

The DC potential of pin 16 of IC106 is input to pin 1 of the CPU (IC1), converted from an analog to a digital signal, and displayed as the S-meter signal on the LCD.

5. DTMF Encoder

The CPU (IC1) is equipped with an internal DTMF encoder. The DTMF signal is output from pin 10, through R35, R34 and R261 (for level adjustment), and then through the microphone amplifier (IC114:A), and is sent to the varicap of the VCO for modulation. At the same time, the monitoring tone passes through the AF circuit and is output form the speaker.

6. Tone Encoder

The CPU (IC1) is equipped with an internal tone encoder. The tone signal (67.0 to 250.3 Hz) is output from pin 9 of the CPU to the varicap (D122 and D123) of the VCO for modulation.

7. DCS Encoder

The CPU (IC1) is equipped with an internal DCS code encoder. The code (023 to 754) is output from pin 9 of the CPU to the varicap (D124) of the PLL reference oscillator. When DCS is ON, DCS MUTE circuit (Q126-ON, Q133-ON, Q132-OFF) works. The modulation activates in X103 side only.

8. CTCSS, DCS Decoder

The voice band of the AF output signal from pin 1 of IC104:A is cut by sharp active filter IC104:B and C (VCVS) and amplified, then led to pin 4 of CPU. The input signal is compared with the programmed tone frequency code in the CPU. The squelch will open when they match. During DCS, Q108 is ON, C156 is working and cut off frequency is lowered.

11) Power Supply Circuit

When power supply is ON, there is a "L" signal being inputted to pin 39 (PSW) of CPU which enables the CPU to work.

Then, "H" signal is outputted from the pin 41 (C5C) of CPU and drives ON the power supply switch control Q8 and Q7 which turns the 5VS ON.

5VS turns ON the PLL IC116, main power supply switch Q127 and Q122, AF POWER IC117 and the 8 V of AVR (IC115).

During reception, pin 29 (R5) of CPU outputs "H" level, Q124 is ON, and the reception circuits supplied by 8 V.

While during transmission, pin 28 (T5) of CPU outputs "L" level which is reverse by Q11 so that the output in Q128 will be "H" level, Q123 is ON, and the transmission circuit is supplied by 8 V.

Or, in the case when the condition of PLL is UNLOCK, "H" level is outputted from pin 14 of IC106, UNLOCK switch Q129 is ON, transmission switch Q128 is OFF which makes the transmission to stop.

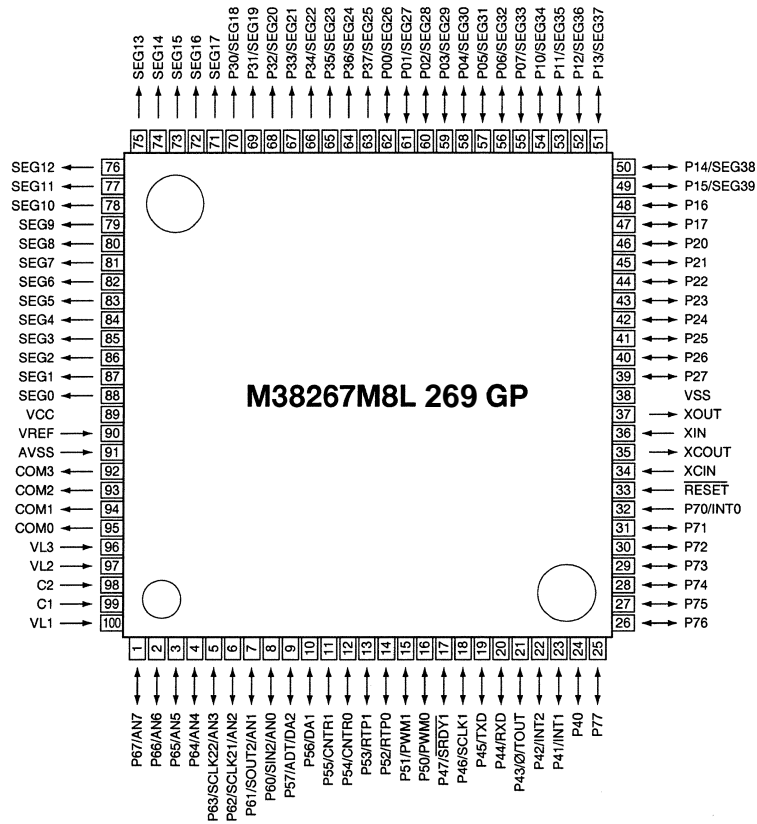
1. ACC External Power Supply Terminal

When optional power supply cord DEC-37 etc. is connected to the external power supply terminal JK101, with ACC power supply ON, switch Q101 will turn ON, 5 V of AVR IC101 pin 2 (STB) becomes "L" which makes C5V to turn ON. With this, it can turn the power supply of the radio ON.

12) M3826M8L269GP (XA0818)

CPU

Terminal Connection
(TOP VIEW)



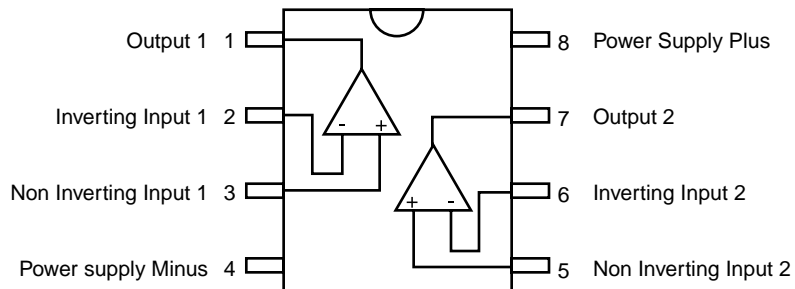
No.	Pin Name	Function	I/O	PU	Logic	Description
1	P67/AN7	SMT	I	-	A/D	S-meter input
2	P66/AN6	SQL	I	-	A/D	Noise level input for squelch
3	P65/AN5	BAT	I	-	A/D	Battery voltage input
4	P64/AN4	TIN	I	-	A/D	CTCSS tone input/DSC code input
5	P63/SCLK22/AN3	BP1	I	-	A/D	Band plan 1
6	P62/SCLK21/AN2	BP2	I	-	A/D	Band plan 2
7	P61/SOUT2/AN1	DCSW	O	-	Activ high	DCS signal mute
8	P60/SIN2/AN0	RE2	I	-	Activ low	Rotary encoder input
9	P57/ADT/DA2	TOUT	O	-	D/A	CTCSS tone output/DCS tone output
10	P56/DA1	DOUT	O	-	D/A	DTMF output
11	P55/CNTR1	SCL	O	-	Pulse	Serial clock for EEPROM
12	P54/CNTR0	TBST	O	-	Pulse	Tone burst output
13	P53/RTP1	BP4	I	-	-	Band plan 4
14	P52/RTP0	MUTE	I/O	-	Activ low	Microphone mute/Security alarm SW
15	P51/PWM3	CLK	O	-	Pulse	Serial clock output for PLL,scramble
16	P50/PWM	DATA	I/O	-	Pulse	Serial data output for PLL scramble/PLL unlock signal input
17	P47/SROY1	TSTB	I/O	-	Activ low/Pulse	Trunking board detection / Strobe signal to trunking board
18	P46/SCLK1	STB	O	-	Pulse	Strobe for PLL IC
19	P45/TXD	UTX	O	-	Pulse	UART data transmission output
20	P44/RXD	RTX	I	-	Pulse	UART data reception output
21	P43/ Φ /TOUT	BEEP	I/O	-	Pulse/Activ low	Beep tone/Band plan 3
22	P42/INT2	SEC	I	-	Activ high	Security voltage input
23	P41/INT1	RE1	I	-	Activ low	Rotary encoder input
24	P40	DSQ	I	-	Activ high	Digital squelch input
25	P77	PTT	I	-	Activ low	PTT input
26	P7	SSTB	O	-	Pulse/Activ low	Strobe signal to scramble IC/Security mode
27	P75	W/N	O	-	Activ low	Wide Narrow SW
28	P74	T5	O	-	Activ low	TX power ON/OFF output
29	P73	R5	O	-	Activ high	RX power ON/OFF output
30	P72	SQC	O	-	Activ low	SQL ON/OFF
31	P71	C/S	O	-	Activ low	Digital scramble ON/OFF
32	P70/INTO	BU	I	-	Activ low	Backup signal detection input
33	RESET	RESET	I	-	Activ low	Reset input
34	Xcin	Xcin	-	-	-	-
35	Xcout	Xcout	-	-	-	-
36	Xin	Xin	-	-	-	Main clock input
37	Xout	Xout	-	-	-	Main clock output
38	Vss	GND	-	-	-	CPU GND
39	P27	PSW	I	-	Activ low	Power switch input
40	P26	SDA	O	-	Pulse	Serial data for EEPROM
41	P25	C5C	O	-	Activ high	C5V power ON/OFF output
42	P24	AIR	O	-	Activ high	Air band SW / Tx middle power
43	P23	LOW	O	-	Activ high	Tx low power
44	P22	EXP	O	-	Activ high	Trunking data SW
45	P21	SW6	I	*	Activ low	Key sw6 (SQL)
46	P20	SW5	I	*	Activ low	Key sw5 (CALL)
47	P17	SW4	I	*	Activ low	Key sw4 (TSQ)
48	P16	SW3	I	*	Activ low	Key sw3 (MHz)
49	P15/SEG39	SW2	I	*	Activ low	Key sw2 (V/M)
50	P14/SEG38	SW1	I	*	Activ low	Key sw1 (FUNC)
51	P13/SEG37	DOWN	I	*	Activ low	Mic down input
52	P12/SEG36	DUD	I	-	-	Digital unit detect
53	P11/SEG35	SCR	I	*	Active low	Scramble IC ready signal/Packet PTT
54	P10/SEG34	UP	I	*	Active low	Mic down input
55	P07/SEG33	S33	O	-	-	LCD segment signal

No.	Pin Name	Function	I/O	PU	Logic	Description
56	P06/SEG32	S32	O	-	-	LCD segment signal
57	P05/SEG31	S31	O	-	-	
58	P04/SEG30	S30	O	-	-	
59	P03/SEG29	S29	O	-	-	
60	P02/SEG28	S28	O	-	-	
61	P01/SEG27	S27	O	-	-	
62	P00/SEG26	S26	O	-	-	
63	P37/SEG25	S25	O	-	-	
64	P36/SEG24	S24	O	-	-	
65	P35/SEG23	S23	O	-	-	
66	P34/SEG22	S22	O	-	-	
67	P33/SEG21	S21	O	-	-	
68	P32/SEG20	S20	O	-	-	
69	P31/SEG19	S19	O	-	-	
70	P30/SEG18	S18	O	-	-	
71	SEG17	S17	O	-	-	
72	SEG16	S16	O	-	-	
73	SEG15	S15	O	-	-	
74	SEG14	S14	O	-	-	
75	SEG13	S13	O	-	-	
76	SEG12	S12	O	-	-	
77	SEG11	S11	O	-	-	
78	SEG10	S10	O	-	-	
79	SEG9	S9	O	-	-	
80	SEG8	S8	O	-	-	
81	SEG7	S7	O	-	-	
82	SEG6	S6	O	-	-	
83	SEG5	S5	O	-	-	
84	SEG4	S4	O	-	-	
85	SEG3	S3	O	-	-	
86	SEG2	S2	O	-	-	
87	SEG1	S1	O	-	-	
88	SEG0	S0	O	-	-	
89	Vcc	VDD	-	-	-	CPU power terminal
90	Vref	Vref	-	-	-	AD converter power supply
91	Avss	Avss	-	-	-	AD converter GND
92	COM3	COM3	O	-	-	LCD COM3 output
93	COM2	COM2	O	-	-	LCD COM2 output
94	COM1	COM1	O	-	-	LCD COM1 output
95	COM0	COM0	O	-	-	LCD COM0 output
96	VL3	VL3	-	-	-	LCD power supply
97	VL2	VL2	-	-	-	
98	C2	I	-	-	-	-
99	C1	C1	-	-	-	-
100	VL1	VL1	I	-	A/D	LCD power supply

SEMICONDUCTOR DATA

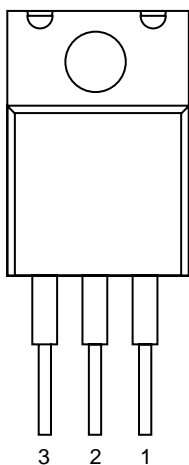
1) M5218FP (XA0068)

Dual Low Noise
Operational Amplifiers



2) NJM7808FA (XA0102)

Pin Assignment

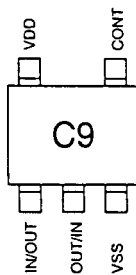
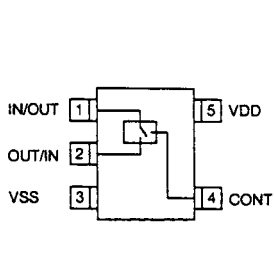


- 1. OUTPUT
- 2. COMMON
- 3. INPUT

Downloaded by
RadioAmateur.EU

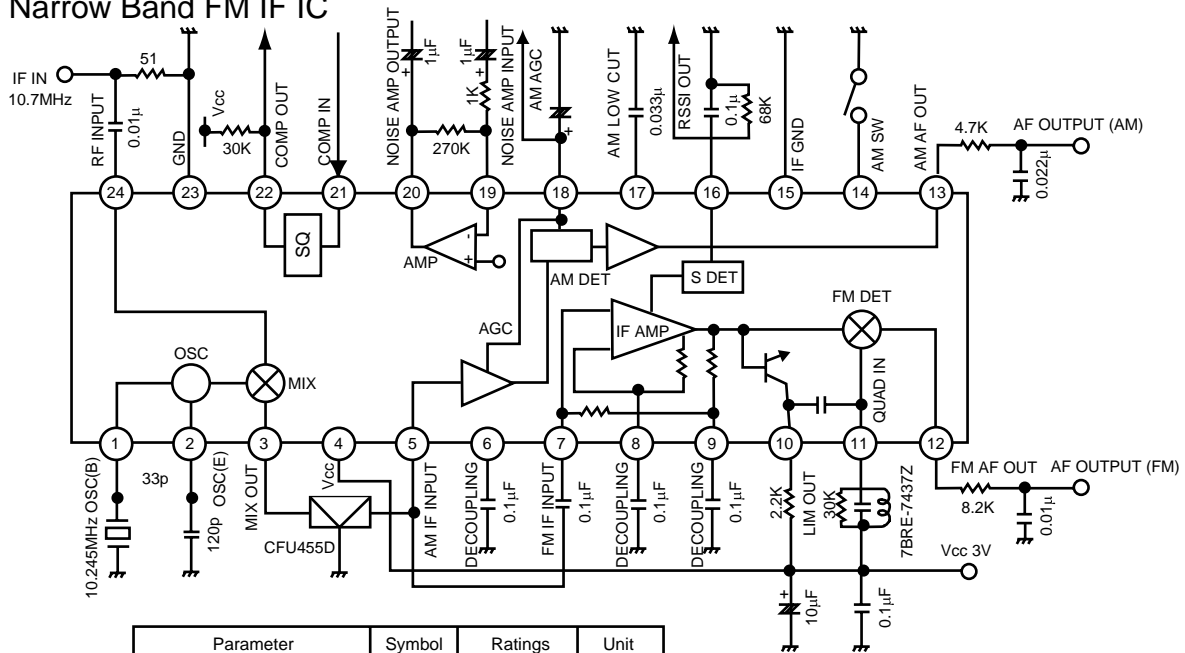
3) TC4S66F (XA0115)

Bilateral Switch



4) TK10930VTL (XA0223)

Narrow Band FM IF IC



Parameter	Symbol	Ratings	Unit
Supply voltage	Vcc max	10.0	V
Power dissipation	Pd	400	mV
Storage temperature	Tstg	-55~+150	°C
Operating temperature	Top	-30~+75	°C
Operating voltage	Vop	2.5~8.5	V
Operating frequency	fop	-60	MHz

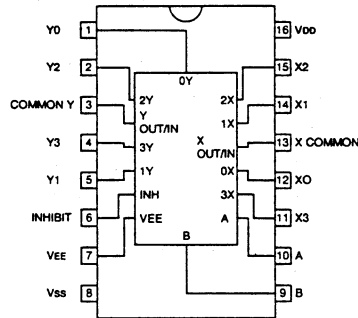
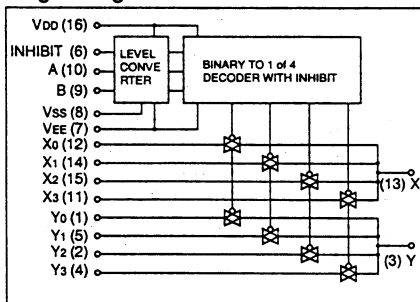
Ta=25°C Vcc=3V

Parameter	Symbol	Ratings			Unit	Condition
		Min	Typical	Max		
Supply Current 1	Icc1		6.8	8.9	mA	No signal, AM ON
Supply Current 2	Icc2		3.9	5.3	mA	No signal, AM OFF
Mixer Conversion Gain	Mg		20		dB	
Mixer Input Impedance	Mz		3.6		KΩ	DC Test
FM						
Limiting Sensitivity	Limit		2.0	8.0	μV	-3.0dB
Output Voltage	Vo1	85	150	230	mVrms	10mVin +/-3kHz DEV
Distortion	THD1		1.0	2.0	%	10mVin +/-3kHz DEV
Output Impedance	Zo		800		Ω	10mVin
Filter Gain	Gf	30	38		dB	Fin=30kHz, Vo=100mV
Scan Control Hi Voltage	SH	2.3			V	Squelch input=2.5V
Scan Control Low Voltage	SL			0.3	V	Squelch input=0V
Squelch Hysteresis	Hys		30		mV	
S meter Output Voltage	S0		0.05	0.5	V	Vin=0mV, RS=68kΩ
S meter Output Voltage	S1	0.05	0.5	0.9	V	Vin=0.01mV, RS=68kΩ
S meter Output Voltage	S2	0.7	1.2	1.7	V	Vin=0.1mV, RS=68kΩ
S meter Output Voltage	S3	1.2	1.8	2.5	V	Vin=1mV, RS=68kΩ
S meter Output Voltage	S4	1.6	2.3	2.9	V	Vin=10mV, RS=68kΩ
S meter Output Voltage	S5	1.8	2.4	2.9	V	Vin=100mV, RS=68kΩ
AM						
Sensitivity	US	20	15		μV	required input level to get 20mV rms output
Output Voltage	Vo2	60	120	160	mVrms	1kHz, 30%, Vin=1mV
Distortion-1	THD2		1.0	2.0	%	1kHz, 30%, Vin=1mV
Distortion-2	THD3		2.0	4.0	%	1kHz, 30%, Vin=1mV
S/N	S/N	40	48		dB	1kHz, 30%, Vin=1mV
AM OFF	Vo	-0.3		0.3	%	

5) BU4052BF (XA0236)

Analog Multiplexer/Demultiplexer

Logic Diagram



Truth Table

INHIBIT	A	B	ON SWITCH
L	L	L	X0 Y0
L	H	L	X1 Y1
L	L	H	X2 Y2
L	H	H	X3 Y3
H	X	X	NONE

X: Don't Care

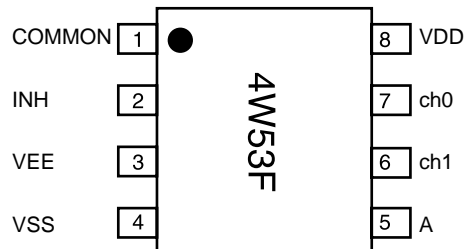
6) TC4W53FU (XA0348)

Multiplexer/Demultiplexer

Function Table

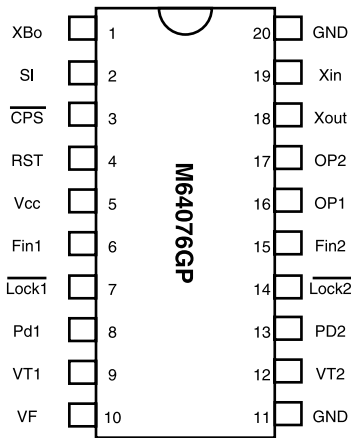
Control input		ON channel
INH	A	
L	L	ch0
L	H	ch1
H	*	NONE

* Don't Care



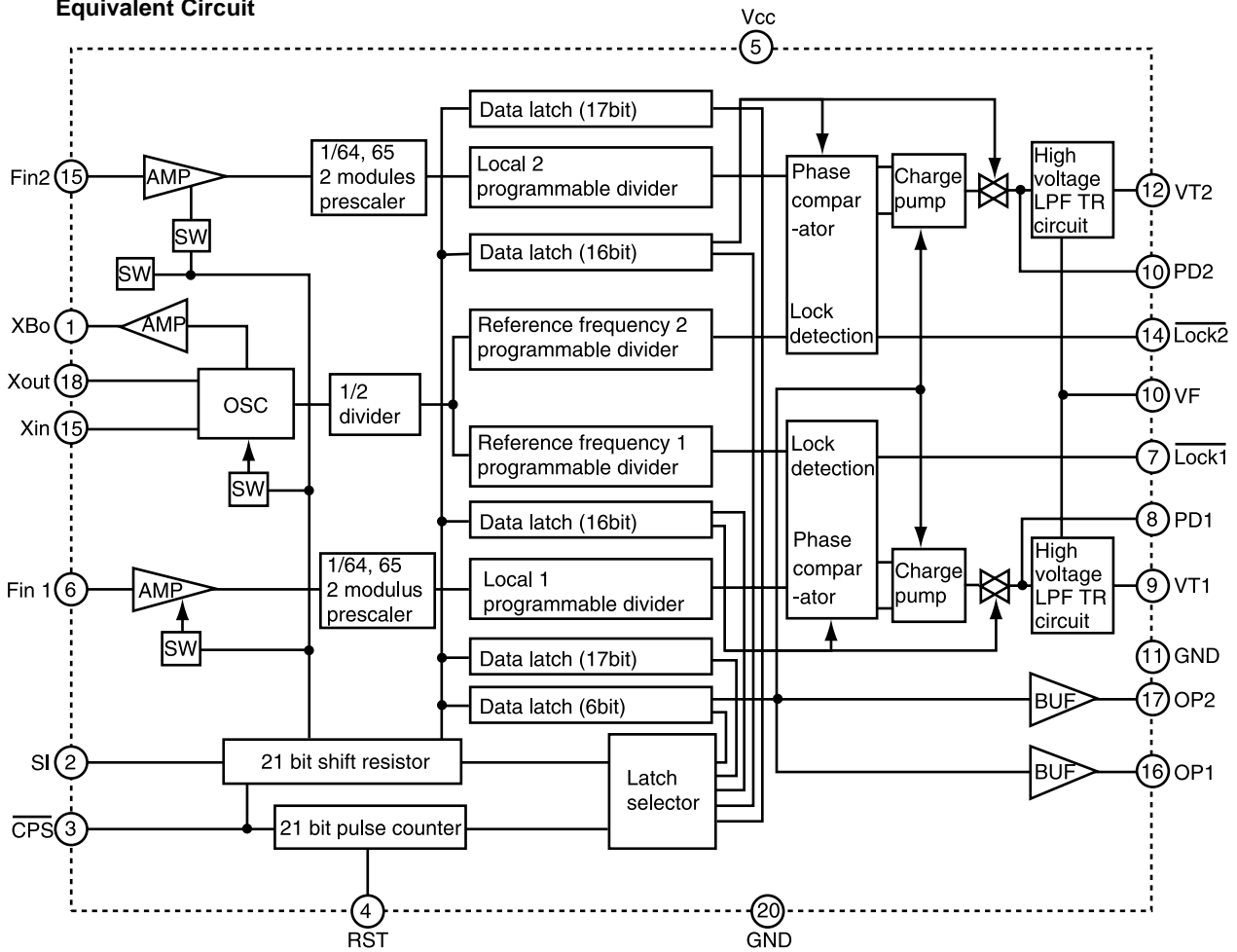
7) M64076GP (XA0352)

Dual PLL Synthesizer



Parameter	Symbol	Condition	Min.	Typ.	Max.	Unit
Power supply voltage	Vcc	Fin=80~520MHz Vin=-10dBm	2.7	-	5.5	V
LPF supply voltage	VF		-	9	12	V
Local oscillator input level	Vin	Fin=80~520MHz	-20	-	-4	dBm
Local oscillator input frequency	Fin	Vin=-20~-4dBm Vcc=2.7~5.5V	80	-	520	MHz
Xin input level	Vxin	Vcc=2.7~5.5V Fxin=10~25MHz Sine wave	0.4	-	1.4	Vp-p
Xin input frequency	Fxin	Vcc=2.7~5.5V Vxin=0.4~1.4Vp-p	10	-	25	MHz

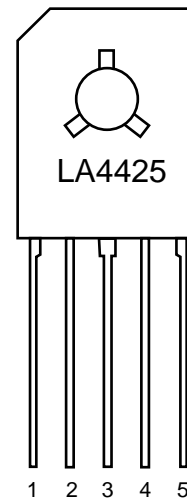
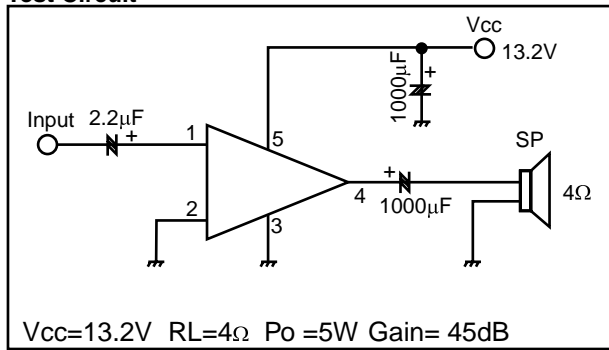
Equivalent Circuit



8) LA4425A (XA0410)

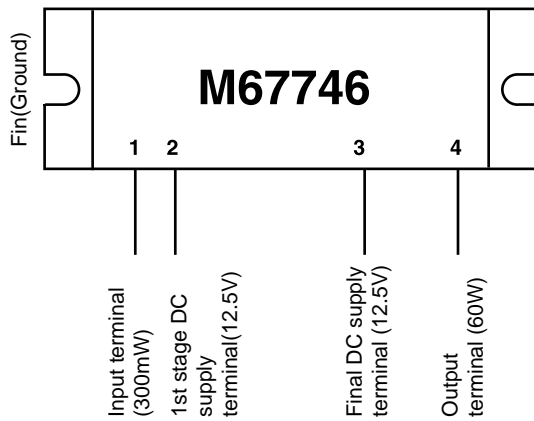
5W Audio Power Amplifiers

Test Circuit



9) M67746 (XA0412)

144 ~ 148MHz 60W
RF Power Module

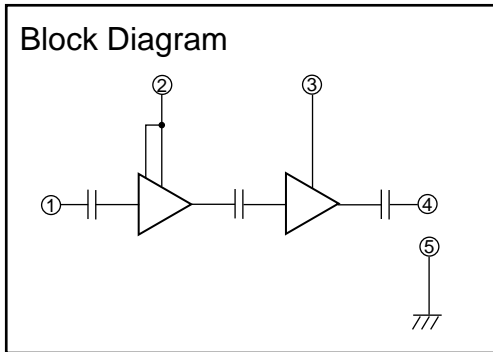
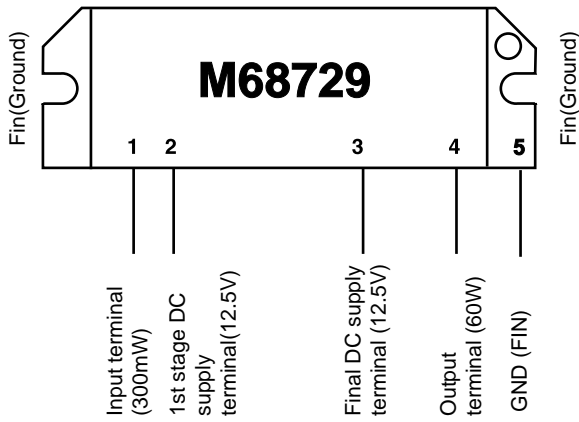


Rating	Symbol	Ratings	Unit
Supply voltage	Vcc	17	V
Total current	Icc	20	A
Input power	Pin(max)	600	mW
Output Power	Po(max)	70	W
Operation case temperature	Tc(op)	-30 to + 110	°C
Storage temperature	Tstg	-40 to + 110	°C

Zg=Zl=50Ω

10) M68729 (XA0591)

220 ~ 246MHz 30W
RF Power Module



PIN :

- ① Pin : RF INPUT
- ② Vcc1 : 1st. DC SUPPLY
- ③ Vcc2 : 2nd. DC SUPPLY
- ④ PO : RF OUTPUT
- ⑤ GND : FIN

ABSOLUTE MAXIMUM RATING(TC = 25°C)

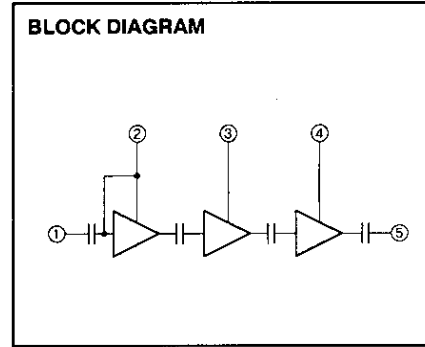
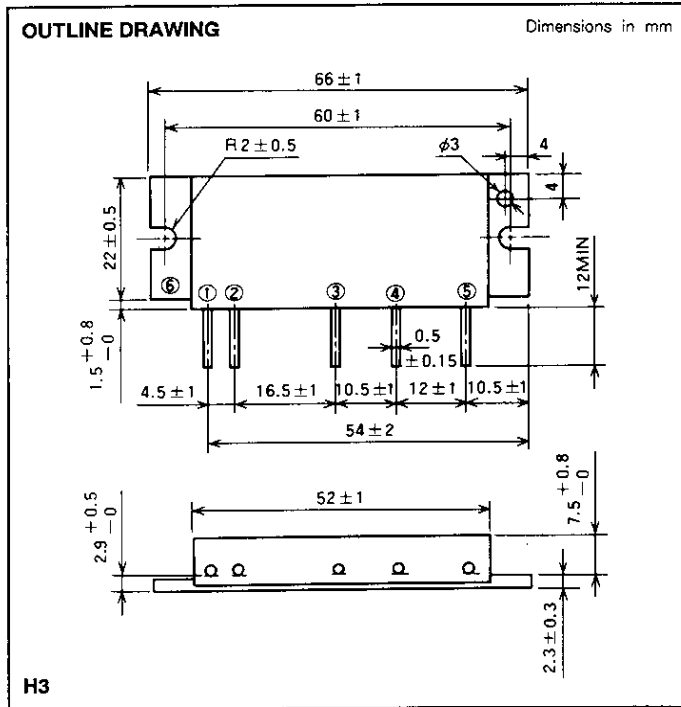
Rating	Symbol	Ratings	Unit
Supply voltage	Vcc	17	V
Total current	Icc	10	A
Input power	Pin(max)	600	mW
Output Power	Po(max)	40	W
Operation case temperature	Tc(op)	-30 to + 110	°C
Strage temperature	Tstg	-40 to + 110	°C

Zg=Zl=50Ω

ELECTRICAL CHARACTERISTICS

Symbol	Parameter	Test conditions	Limits		Unit
			Min	Max	
f	Frequency range	Vcc1,2 = 12.5V Pin = 300mV ZG = ZL = 50Ω	220	246	MHz
Po	Output power		30		W
η_T	Total efficiency		40		%
2fo	2nd. harmonic			-30	dBc
3fo	3rd. harmonic			-30	dBc
pin	Input VSWR			3	-
-	Load VSWR tolerance	Vcc1,2 = 15.2V Po = 30W(Pin = Controlled) Load VSWR = 20:1 (All phase), ZG = 50Ω	No degradation or destroy		-

11) M57788M (XA0077)



PIN :
 ① Pin : RF INPUT
 ② Vcc1 : 1st. DC SUPPLY
 ③ Vcc2 : 2nd. DC SUPPLY
 ④ Vcc3 : 3rd. DC SUPPLY
 ⑤ Po : RF OUTPUT
 ⑥ GND : FIN

ABSOLUTE MAXIMUM RATINGS (T_C = 25 °C unless otherwise noted)

Symbol	Parameter	Conditions	Ratings	Unit
V _{cc1}	Supply voltage		16	V
V _{cc2,3}			17	V
I _{cc}	Total current		12	A
P _{in(max)}	Input power	Z _G = Z _L = 50 Ω	0.5	W
P _{o(max)}	Output power	Z _G = Z _L = 50 Ω	50	W
T _{c(OP)}	Operation case temperature		-30~110	°C
T _{stg}	Storage temperature		-40~110	°C

ELECTRICAL CHARACTERISTICS (T_C = 25 °C unless otherwise noted)

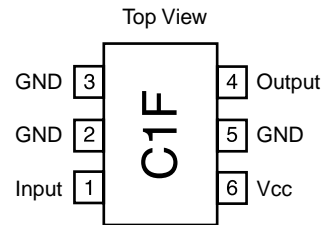
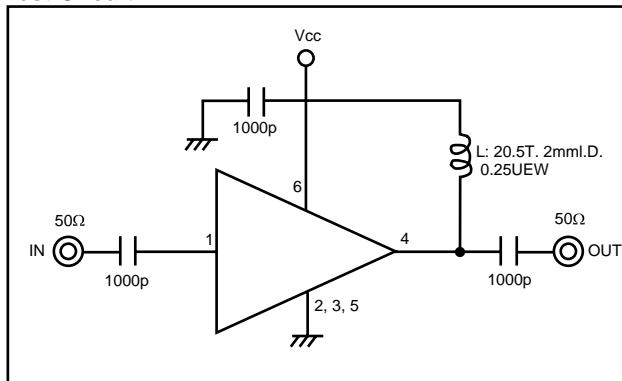
Symbol	Parameter	Test conditions	Limits		Unit
			Min	Max	
f	Frequency range	P _{in} = 0.4W V _{cc} = 12.5V Z _G = Z _L = 50 Ω	430	450	MHz
P _o	Output power		40		W
η _T	Total efficiency		40		%
2f _o	2nd. harmonic			-30	dB
ρ _{in}	Input VSWR			2.8	-
-	Load VSWR tolerance	V _{cc} = 15.2V, P _o = 40W (P _{in} : controlled) Load VSWR=8.8:1 (All phase), 2sec. Z _G = 50 Ω	No degradation		-

12) μ PC2710T (XA0449)

RF Amplifier

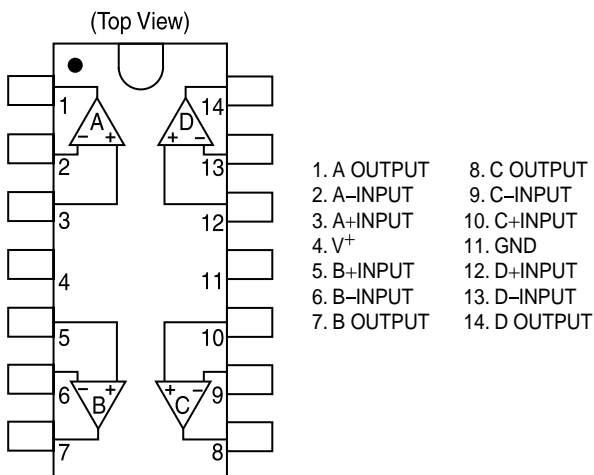
Parameter	Symbol	Condition	Ratings	Unit
Supply voltage	Vcc		5.0	V
Circuit current	Icc	Vcc=5V, no signa	22	mA
Power gain	GP	Vcc=5V, f=500MHz	33	dB
Staturated output power	Po(sat)	Vcc=5V, f=500MHz, Pin=-8dBm	+13.5	dBm
Noise figure	NF	Vcc=5V, f=500MHz	3.5	dB
Upper frequency (-3dB)	fu	Vcc=5V, Reference freq. =100MHz	1000	MHz
Isolation	ISL	Vcc=5V, f=500MHz	39	dB
Input return loss	RL in	Vcc=5V, f=500MHz	6	dB
Output return loss	RL out	Vcc=5V, f=500MHz	12	dB
Gain flatness	Gp	Vcc=5V, f=0.1~0.6GHz	0.8	dB

Test Circuit



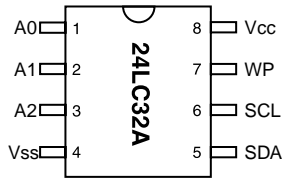
13) NJM2902 (XA0596)

Pin Assignment



14) 24LC32A (XA0604)

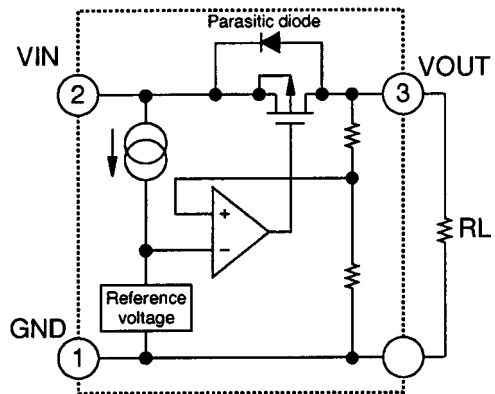
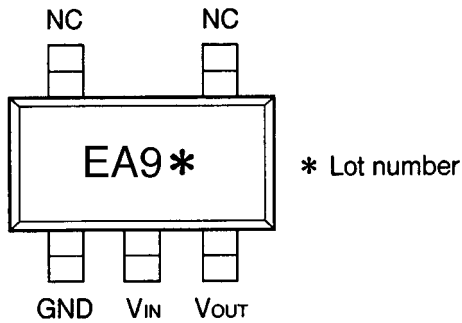
PDIP



Name	Function
A0..A2	User Configurable Chip Selects
Vss	Ground
SDA	Serial Address/Data I/O
SCL	Serial Clock
WP	Write Protect Input
Vcc	+2.5V~6.0V Power Supply

15) S-80845ALMP-EA9-T2 (XA0620)

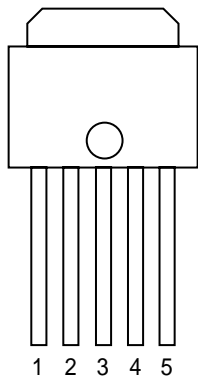
V_{in}=18V
I_{out}=100mA



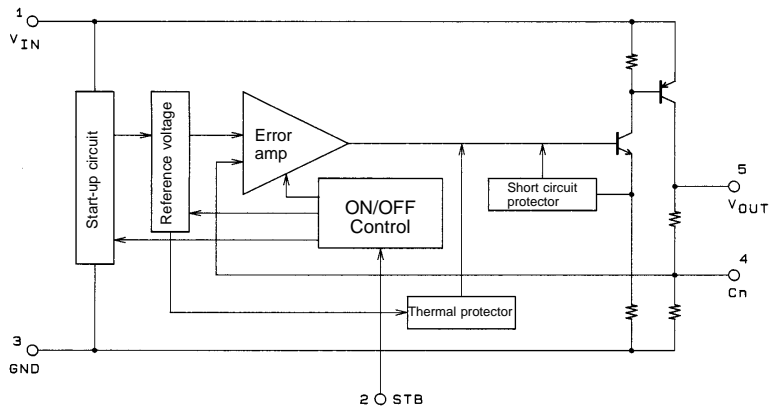
16) L88MS05TLL (XA0675)

5V Voltage Regulator With On/Off Function

Pin Assignment



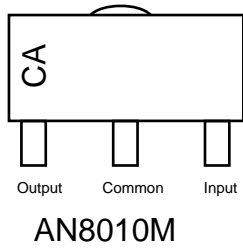
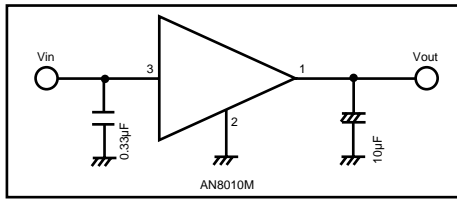
- 1. V_{IN}
- 2. STB
- 3. GND
- 4. C_n
- 5. V_{OUT}



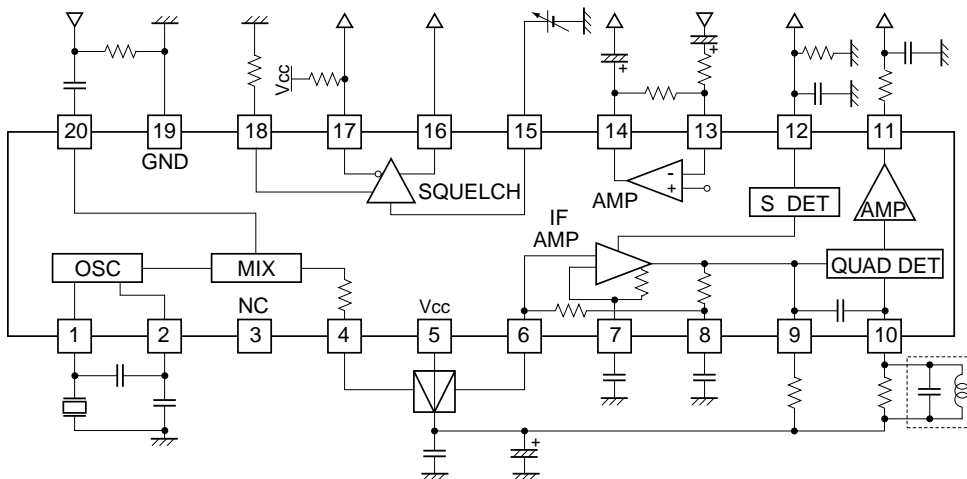
17) AN8010M (XA0119)

Voltage Regulator

Test Circuit



18) TK10489M (XA0314)



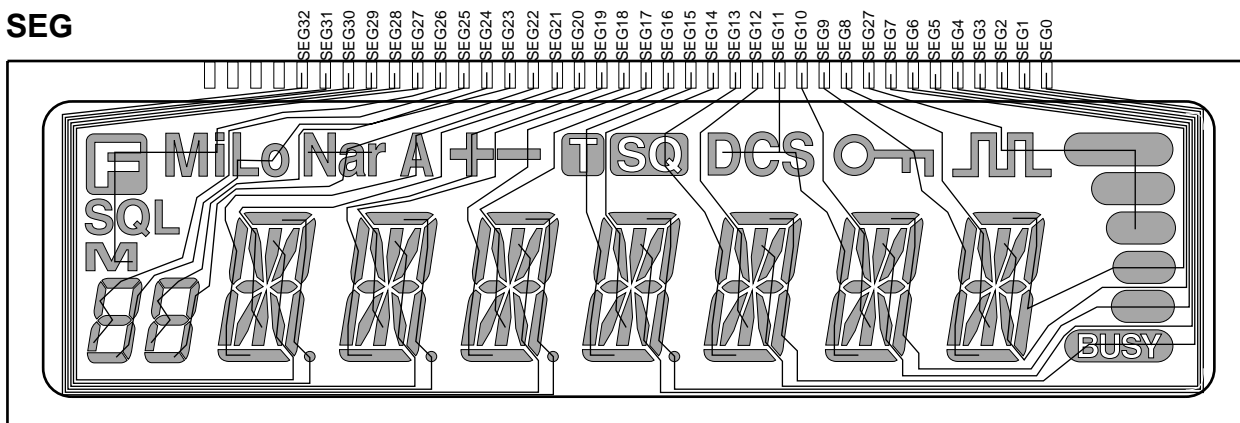
19) Transistor, Diode, and LED Outline Drawings

Top View

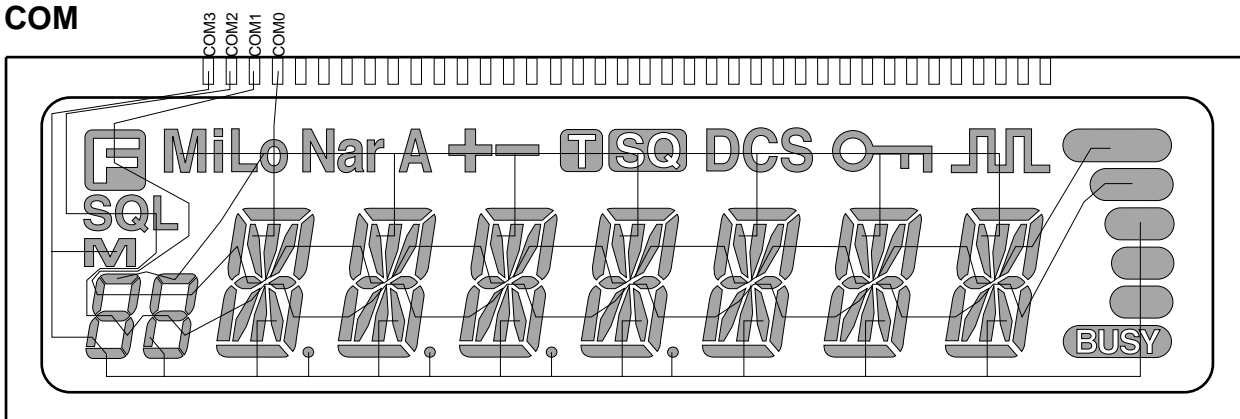
RLS-73 XD0363	1SS355 XD0254	1SS356 XD0272	1SV214 XD0131	1SV237 XD0141	1SV262 XD0300	1SV268 XD0301
DA204U XD0130	DAN235U XD0246	DSA3A1 XD0131	MA304 XD0299	MA729 XD0300	MA8100 XD0297	MA742 XD0250
MI407 XD0013	2SK508 XE0010	2SK880GR XE0021	3SK131V12 XE0028	2SA1036K XT0110	2SA1576 XT0094	2SA1736 XT0099
2SB1132 XT0061	2SB1292F XT0112	2SC2954 XT0084	2SC3356 XT0030	2SC3357 XT0048	2SC4081 XT0095	2SC4099 XT0096
2SC4215 XT0124	2SC4226 XT0141	2SC4245 XT0125	3SK184S XE0013	DTA114YU XU0112	DTC114EU XU0131	DTC144EUA XU0148
DTC144YU XU0029	FA1111C XL0069	FA1111C XL0077	UDZ5.1B XD0165	UMC3TR XU0047	UMC5N XU0152	U1BC44 XD0135
XP1215 XU0178						

20) LCD Connection (TTR3626UPFDHN)

SEG



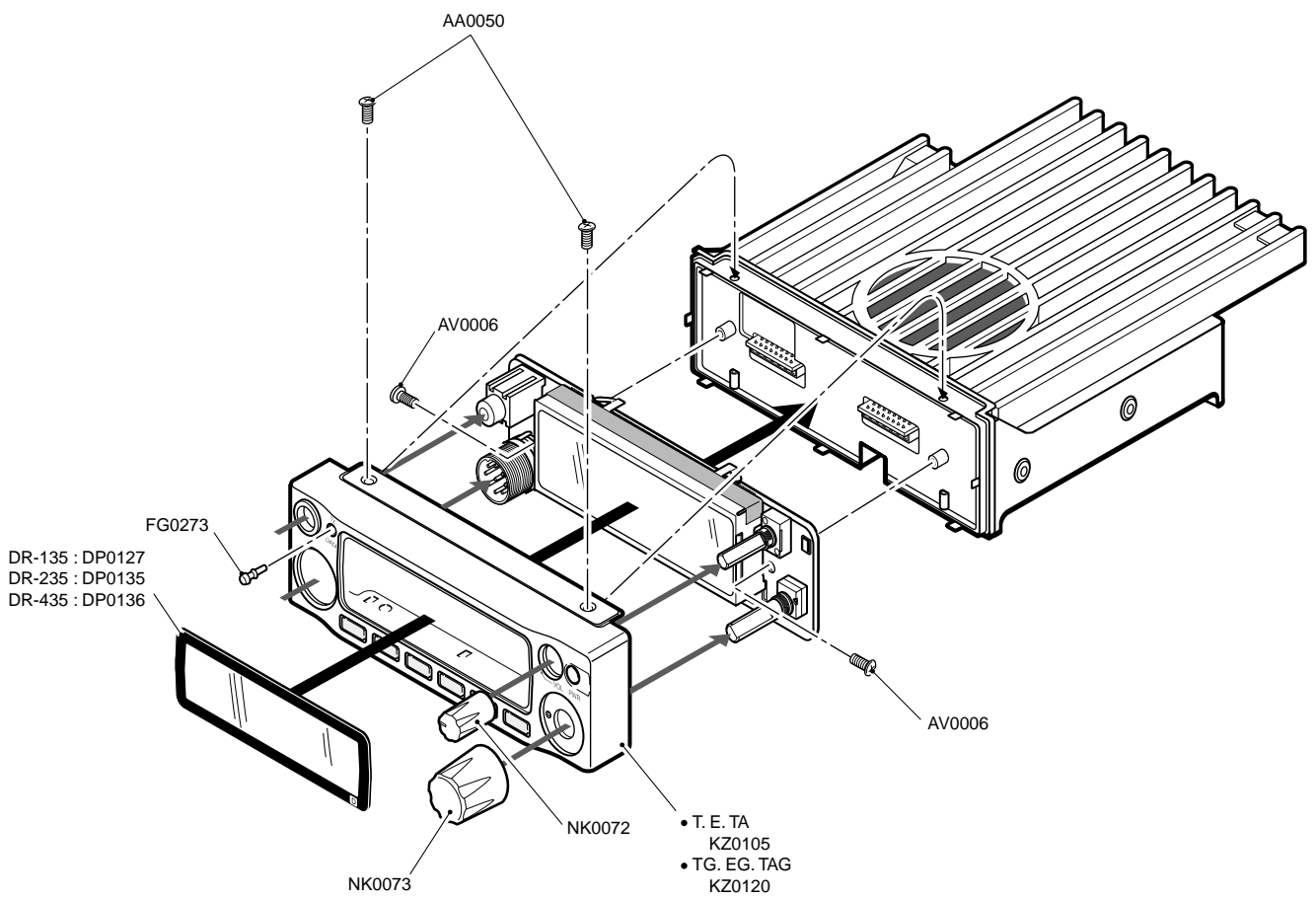
COM



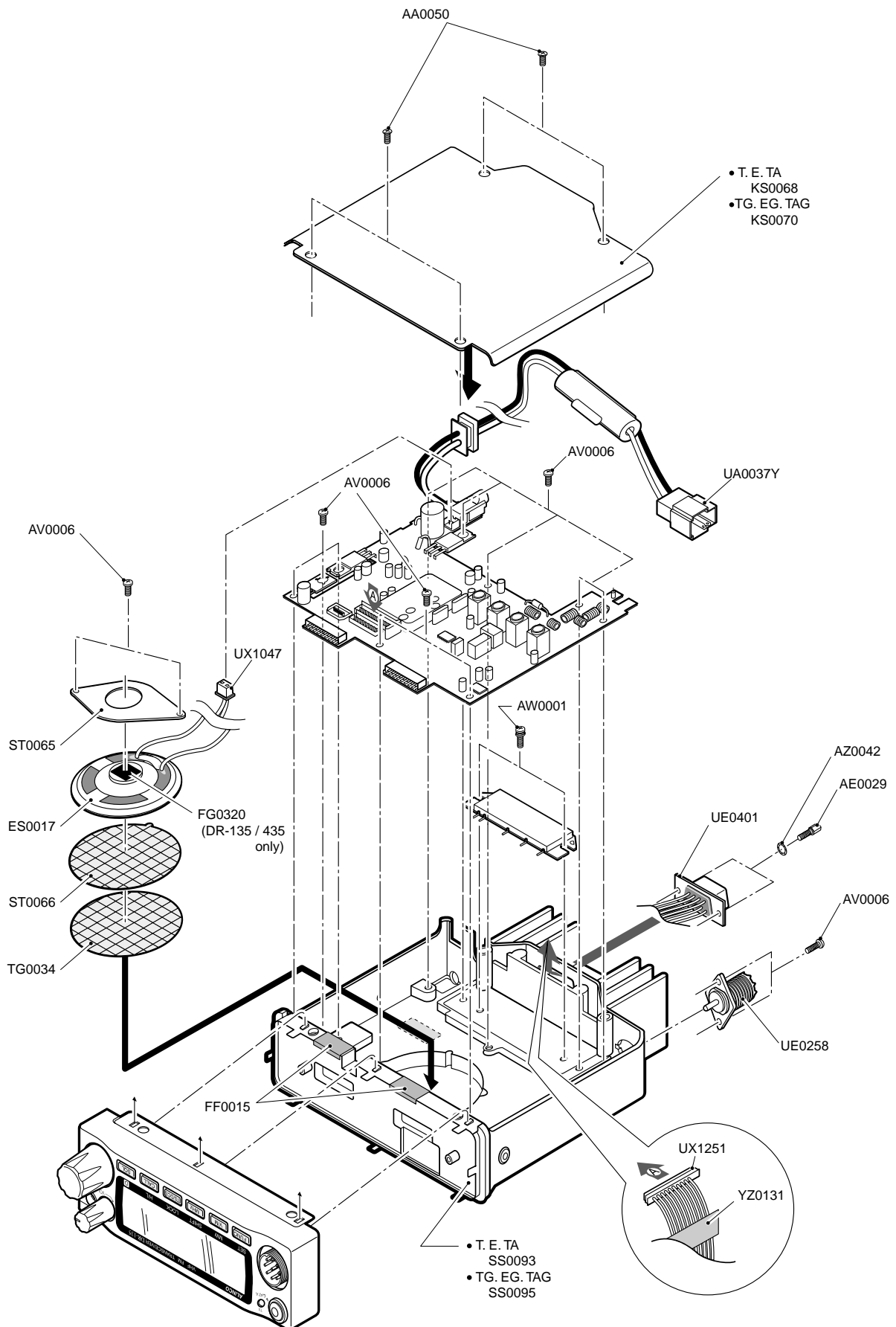
Downloaded by RadioAmateur.EU

EXPLODED VIEW

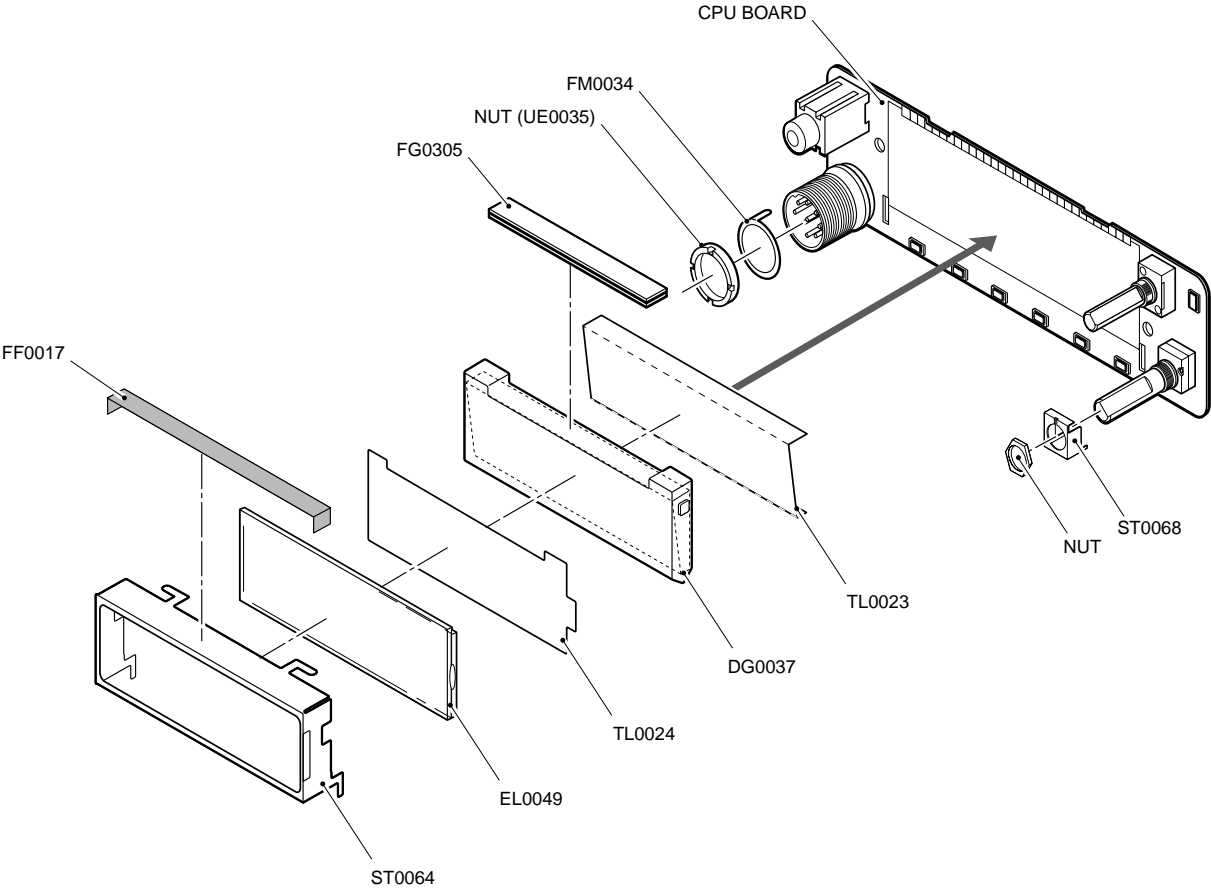
1) Top and Front View



2) Bottom View



3) LCD Assembly



Ref. No.	Parts No.	Description	Parts Name	Qty			Ver
				DR-135	DR-235	DR-435	
SW1	UU0015Z	Switch	EVQPPXA25	1	1	1	
SW2	UU0015Z	Switch	EVQPPXA25	1	1	1	
SW3	UU0015Z	Switch	EVQPPXA25	1	1	1	
SW4	UU0015Z	Switch	EVQPPXA25	1	1	1	
SW5	UU0015Z	Switch	EVQPPXA25	1	1	1	
SW6	UU0015Z	Switch	EVQPPXA25	1	1	1	
SW7	UU0015Z	Switch	EVQPPXA25	1	1	1	
VR1	RV0035	Variable	EVUF2JFK4B14	1	1	1	
W1	UX1270	Wire	WIRE DR235 W1	1	1	1	
X1	XQ0131	Xtal	CSA310/3.6864MHz	1	1	1	
	TL0024		DIFFUSION SHEET 135	1	1	1	
	YZ0042		CEMENT G17 / 1G	1	1	1	
	ST0068		DIAL FITTING	1	1	1	
	FG0305		LCD RUB.CONNECT. 135	1	1	1	
	TL0023		REFLECTION DR135	1	1	1	
	DG0037		LCD LIGHT DR135	1	1	1	
	FM0034		MIC GND PLATE	1	1	1	
	FP0034		MIC SPACER DR110	1	1	1	
	ST0064		LCD HOLDER DR135	1	1	1	

Main Unit (DR-135)

Ref. No.	Parts No.	Description	Parts Name	Qty			Ver
				DR-135	DR-235	DR-435	
C101	CU3047	Chip C.	C1608JB1H103KT-N	1			
C102	CU3047	Chip C.	C1608JB1H103KT-N	1			
C103	CS0049	Chip tantalum	TMCSA1C105MTR	1			
C104	CU3047	Chip C.	C1608JB1H103KT-N	1			
C105	CS0394	Chip tantalum	TMCMBOJ476MTR	1			
C106	CU3051	Chip C.	C1608JB1E223KT-NS	1			
C107	CU3111	Chip C.	C1608JB1C104KT-N	1			
C108	CU3047	Chip C.	C1608JB1H103KT-N	1			
C109	CS0216	Chip tantalum	TMCMBA1A106MTR	1			
C110	CU3047	Chip C.	C1608JB1H103KT-N	1			
C111	CU3047	Chip C.	C1608JB1H103KT-N	1			
C112	CU3047	Chip C.	C1608JB1H103KT-N	1			
C113	CU3047	Chip C.	C1608JB1H103KT-N	1			
C114	CU3047	Chip C.	C1608JB1H103KT-N	1			
C115	CU3047	Chip C.	C1608JB1H103KT-N	1			
C116	CU3047	Chip C.	C1608JB1H103KT-N	1			
C117	CU3047	Chip C.	C1608JB1H103KT-N	1			
C118	CU3049	Chip C.	C1608JB1E153KT-NS	1			
C119	CU3051	Chip C.	C1608JB1E223KT-NS	1			
C120	CU3021	Chip C.	C1608CH1H680JT-AS	1			
C121	CU3005	Chip C.	C1608CH1H040CT-AS	1			
C122	CU3002	Chip C.	C1608CH1H010CT-AS	1			
C123	CU3015	Chip C.	C1608CH1H220JT-AS	1			
C124	CU3040	Chip C.	C1608JB1H272KT-NS	1			
C125	CU3044	Chip C.	C1608JB1H562KT-NS	1			
C126	CU3038	Chip C.	C1608JB1H182KT-AS	1			
C127	CU3041	Chip C.	C1608JB1H332KT-NS	1			
C129	CU3111	Chip C.	C1608JB1C104KT-N	1			
C130	CS0049	Chip tantalum	TMCSA1C105MTR	1			
C132	CU3035	Chip C.	C1608JB1H102KT-AS	1			
C133	CU3005	Chip C.	C1608CH1H040CT-AS	1			
C134	CU3042	Chip C.	C1608JB1H392KT-NS	1			
C135	CU3044	Chip C.	C1608JB1H562KT-NS	1			
C137	CU3017	Chip C.	C1608CH1H330JT-AS	1			
C138	CS0049	Chip tantalum	TMCSA1C105MTR	1			
C139	CU3017	Chip C.	C1608CH1H330JT-AS	1			
C140	CU3017	Chip C.	C1608CH1H330JT-AS	1			
C141	CU3111	Chip C.	C1608JB1C104KT-N	1			
C142	CU3111	Chip C.	C1608JB1C104KT-N	1			
C143	CU3111	Chip C.	C1608JB1C104KT-N	1			
C144	CU3047	Chip C.	C1608JB1H103KT-N	1			
C145	CU3003	Chip C.	C1608CH1H020CT-AS	1			
C146	CE0339	Electrolytic C.	16MV 10SWB+TS	1			
C148	CU3017	Chip C.	C1608CH1H330JT-AS	1			
C149	CU3017	Chip C.	C1608CH1H330JT-AS	1			
C150	CU3005	Chip C.	C1608CH1H040CT-AS	1			
C151	CU3047	Chip C.	C1608JB1H103KT-N	1			
C152	CE0339	Electrolytic C.	16MV 10SWB+TS	1			
C153	CU3035	Chip C.	C1608JB1H102KT-AS	1			
C154	CU3035	Chip C.	C1608JB1H102KT-AS	1			
C155	CU3007	Chip C.	C1608CH1H060CT-A	1			
C156	CU3047	Chip C.	C1608JB1H103KT-N	1			
C157	CU3035	Chip C.	C1608JB1H102KT-AS	1			
C158	CU3013	Chip C.	C1608CH1H150JT-AS	1			
C159	CU3035	Chip C.	C1608JB1H102KT-AS	1			
C160	CE0339	Electrolytic C.	16MV 10SWB+TS	1			
C161	CU3111	Chip C.	C1608JB1C104KT-N	1			
C162	CU3035	Chip C.	C1608JB1H102KT-AS	1			
C165	CU3111	Chip C.	C1608JB1C104KT-N	1			
C167	CU3047	Chip C.	C1608JB1H103KT-N	1			
C168	CU3111	Chip C.	C1608JB1C104KT-N	1			
C169	CU3027	Chip C.	C1608CH1H221JT-AS	1			
C171	CU3111	Chip C.	C1608JB1C104KT-N	1			
C172	CU3035	Chip C.	C1608JB1H102KT-AS	1			
C173	CU3037	Chip C.	C1608JB1H152KT-AS	1			
C174	CU3029	Chip C.	C1608JB1H331KT-AS	1			
C175	CU3111	Chip C.	C1608JB1C104KT-N	1			
C176	CU3018	Chip C.	C1608CH1H390JT-AS	1			
C177	CU3018	Chip C.	C1608CH1H390JT-AS	1			
C179	CU3111	Chip C.	C1608JB1C104KT-N	1			
C180	CU3035	Chip C.	C1608JB1H102KT-AS	1			
C181	CU3035	Chip C.	C1608JB1H102KT-AS	1			
C182	CU3047	Chip C.	C1608JB1H103KT-N	1			
C183	CU3035	Chip C.	C1608JB1H102KT-AS	1			
C184	CU3035	Chip C.	C1608JB1H102KT-AS	1			
C185	CS0232	Chip tantalum	TMCSA1V474MTR	1			
C186	CU3008	Chip C.	C1608CH1H070CT-A	1			
C187	CU3035	Chip C.	C1608JB1H102KT-AS	1			
C188	CU3035	Chip C.	C1608JB1H102KT-AS	1			
C189	CU3011	Chip C.	C1608CH1H100DT-AS	1			
C190	CU3047	Chip C.	C1608JB1H103KT-N	1			
C191	CU3102	Chip C.	C1608JB1C333KT-NS	1			
C192	CU3047	Chip C.	C1608JB1H103KT-N	1			
C193	CU4033	Chip C.	GRM42-6X7R102K500PT	1			
C194	CU3012	Chip C.	C1608CH1H120JT-AS	1			
C195	CU3012	Chip C.	C1608CH1H120JT-AS	1			
C196	CU3023	Chip C.	C1608CH1H101JT-AS	1			
C197	CU4003	Chip C.	GRM42-6CK020C500PT	1			
C198	CE0339	Electrolytic C.	16MV 10SWB+TS	1			
C199	CE0339	Electrolytic C.	16MV 10SWB+TS	1			
C200	CU3035	Chip C.	C1608JB1H102KT-AS	1			
C201	CU4014	Chip C.	GRM42-6CH180J500PT	1			
C202	CU4016	Chip C.	GRM42-6CH270J500PT	1			
C203	CU4016	Chip C.	GRM42-6CH270J500PT	1			
C204	CU4013	Chip C.	GRM42-6CH150J500PT	1			
C205	CU3035	Chip C.	C1608JB1H102KT-AS	1			
C206	CE0339	Electrolytic C.	16MV 10SWB+TS	1			
C207	CU3002	Chip C.	C1608CH1H010CT-AS	1			
C208	CU3002	Chip C.	C1608CH1H010CT-AS	1			
C209	CU3035	Chip C.	C1608JB1H102KT-AS	1			
C210	CU3003	Chip C.	C1608CH1H020CT-AS	1			
C211	CU3003	Chip C.	C1608CH1H020CT-AS	1			
C212	CE0364	Electrolytic C.	16MV 47SWB+TS	1			
C213	CU3035	Chip C.	C1608JB1H102KT-AS	1			
C214	CU3015	Chip C.	C1608CH1H220JT-AS	1			
C215	CU4016	Chip C.	GRM42-6CH270J500PT	1			
C216	CU4016	Chip C.	GRM42-6CH270J500PT	1			
C217	CU3051	Chip C.	C1608JB1E223KT-NS	1			
C218	CU3051	Chip C.	C1608JB1E223KT-NS	1			
C219	CU3035	Chip C.	C1608JB1H102KT-AS	1			
C220	CU3035	Chip C.	C1608JB1H102KT-AS	1			
C221	CU3047	Chip C.	C1608JB1H103KT-N	1			
C222	CU3035	Chip C.	C1608JB1H102KT-AS	1			
C223	CE0364	Electrolytic C.	16MV 47SWB+TS	1			
C224	CU3023	Chip C.	C1608CH1H101JT-AS	1			
C225	CU3035	Chip C.	C1608JB1H102KT-AS	1			
C226	CU3035	Chip C.	C1608JB1H102KT-AS	1			
C227	CS0049	Chip tantalum	TMCSA1C105MTR	1			
C228	CU3035	Chip C.	C1608JB1H102KT-AS	1			
C229	CU3101	Chip C.	C1608JB1C473KT-NS	1			
C230	CU3035	Chip C.	C1608JB1H102KT-AS	1			
C231	CU3035	Chip C.	C1608JB1H102KT-AS	1			
C232	CU3035	Chip C.	C1608JB1H102KT-AS	1			
C233	CU3035	Chip C.	C1608JB1H102KT-AS	1			
C234	CU3035	Chip C.	C1608JB1H102KT-AS	1			
C235	CU3014	Chip C.	C1608CH1H180JT-AS	1			
C236	CU3014	Chip C.	C1608CH1H180JT-AS	1			
C237	CU3035	Chip C.	C1608JB1H102KT-AS	1			
C238	CS0049	Chip tantalum	TMCSA1C105MTR	1			
C239	CS0049	Chip tantalum	TMCSA1C105MTR	1			
C240	CE0339	Electrolytic C.	16MV 10SWB+TS	1			
C241	CU3022	Chip C.	C1608CH1H820JT-AS	1			
C242	CU3051	Chip C.	C1608JB1E223KT-NS	1			
C243	CE0339	Electrolytic C.	16MV 10SWB+TS	1			
C244	CE0339	Electrolytic C.	16MV 10SWB+TS	1			
C245	CS0049	Chip tantalum	TMCSA1C105MTR	1			
C246	CU3043	Chip C.	C1608JB1H472KT-NS	1			
C247	CU3111	Chip C.	C1608JB1C104KT-N	1			
C248	CU3047	Chip C.	C1608JB1H103KT-N	1			
C249	CU3038	Chip C.	C1608JB1H182KT-AS	1			
C250	CU3026	Chip C.	C1608CH1H181JT-AS	1			
C251	CE0339	Electrolytic C.	16MV 10SWB+TS	1			
C252	CU3035	Chip C.	C1608JB1H102KT-AS	1			
C253	CU3111	Chip C.	C1608JB1C104KT-N	1			
C254	CU3111	Chip C.	C1608JB1C104KT-N	1			
C255	CE0364	Electrolytic C.	16MV 47SWB+TS	1			
C256	CU3111	Chip C.	C1608JB1C104KT-N	1			
C257	CE0339	Electrolytic C.	16MV 10SWB+TS	1			
C258	CS0049	Chip tantalum	TMCSA1C105MTR	1			
C259	CU3035	Chip C.	C1608JB1H102KT-AS	1			
C260	CE0339	Electrolytic C.	16MV 10SWB+TS	1			
C261	CU3035	Chip C.	C1608JB1H102KT-AS	1			
C262	CU3035	Chip C.	C1608JB1H102KT-AS	1			

Ref. No.	Parts No.	Description	Parts Name	Qty			Ver	Ref. No.	Parts No.	Description	Parts Name	Qty			Ver
				DR-135	DR-235	DR-435						DR-135	DR-235	DR-435	
Q128	XU0131	Chip Transistor	DTC114EUA T106		1		R193	RK3043	Chip R.	MCR03EZJ272		1			
Q129	XU0148	Chip Transistor	DTC144EUA T106		1		R195	RK3070	Chip R.	MCR03EZJ474		1			
Q130	XU0112	Chip Transistor	DTA114YUA T106		1		R196	RK3038	Chip R.	MCR03EZJ102		1			
Q131	XT0030	Chip Transistor	2SC3356T1BR24/25		1		R198	RK3050	Chip R.	MCR03EZJ103		1			
Q132	XU0131	Chip Transistor	DTC114EUA T106		1		R200	RK3070	Chip R.	MCR03EZJ474		1			
Q133	XU0131	Chip Transistor	DTC114EUA T106		1		R202	RK0028	Chip R.	ERJ6GEYJ471V		1			
Q136	XU0148	Chip Transistor	DTC144EUA T106		1		R203	RK3056	Chip R.	MCR03EZJ333		1			
Q137	XU0131	Chip Transistor	DTC114EUA T106		1		R204	RK3062	Chip R.	MCR03EZJ104		1			
Q139	XT0095	Chip Transistor	2SC4081 T106R		1		R205	RK0069	Chip R.	ERJ6GEYJ104V		1			
Q140	XT0095	Chip Transistor	2SC4081 T106R		1		R206	RK0001	Chip R.	ERJ6GEYJ100V		1			
Q141	XU0148	Chip Transistor	DTC144EUA T106		1		R207	RK3052	Chip R.	MCR03EZJ153		1			
Q142	XU0148	Chip Transistor	DTC144EUA T106		1		R208	RK3028	Chip R.	MCR03EZJ151		1			
R101	RK3050	Chip R.	MCR03EZJ103		1		R209	RK3061	Chip R.	MCR03EZJ823		1			
R102	RK3091	Chip R.	MCR03EZPFX3902		1		R210	RK3038	Chip R.	MCR03EZJ102		1			
R103	RK3091	Chip R.	MCR03EZPFX3902		1		R211	RK4018	Chip R.	ERJ12YJ220U		1			
R104	RK3050	Chip R.	MCR03EZJ103		1		R212	RK4026	Chip R.	ERJ12YJ101U		1			
R105	RK3028	Chip R.	MCR03EZJ151		1		R213	RK3049	Chip R.	MCR03EZJ822		1			
R106	RK3026	Chip R.	MCR03EZJ101		1		R214	RK3050	Chip R.	MCR03EZJ103		1			
R107	RK3026	Chip R.	MCR03EZJ101		1		R215	RK3041	Chip R.	MCR03EZJ182		1			
R108	RK3023	Chip R.	MCR03EZJ560		1		R216	RK3042	Chip R.	MCR03EZJ222		1			
R109	RK3026	Chip R.	MCR03EZJ101		1		R217	RK3042	Chip R.	MCR03EZJ222		1			
R110	RK3050	Chip R.	MCR03EZJ103		1		R218	RK3058	Chip R.	MCR03EZJ473		1			
R111	RK3001	Chip R.	MCR03EZJ000		1		R219	RK3042	Chip R.	MCR03EZJ222		1			
R112	RK3026	Chip R.	MCR03EZJ101		1		R220	RK4034	Chip R.	ERJ12YJ471U		1			
R114	RK3041	Chip R.	MCR03EZJ182		1		R221	RK3052	Chip R.	MCR03EZJ153		1			
R115	RK3043	Chip R.	MCR03EZJ272		1		R222	RK3050	Chip R.	MCR03EZJ103		1			
R116	RK3038	Chip R.	MCR03EZJ102		1		R223	RK3026	Chip R.	MCR03EZJ101		1			
R117	RK3071	Chip R.	MCR03EZJ564		1		R224	RK4026	Chip R.	ERJ12YJ101U		1			
R118	RK3026	Chip R.	MCR03EZJ101		1		R225	RK3001	Chip R.	MCR03EZJ000		1			
R119	RK3052	Chip R.	MCR03EZJ153		1		R226	RK3026	Chip R.	MCR03EZJ101		1			
R120	RK3045	Chip R.	MCR03EZJ392		1		R227	RK3030	Chip R.	MCR03EZJ221		1			
R121	RK3063	Chip R.	MCR03EZJ124		1		R228	RK3062	Chip R.	MCR03EZJ104		1			
R122	RK3059	Chip R.	MCR03EZJ563		1		R229	RK3048	Chip R.	MCR03EZJ682		1			
R123	RK3061	Chip R.	MCR03EZJ823		1		R230	RK3054	Chip R.	MCR03EZJ223		1			
R124	RK3057	Chip R.	MCR03EZJ393		1		R231	RK3050	Chip R.	MCR03EZJ103		1			
R125	RK3036	Chip R.	MCR03EZJ681		1		R232	RK3050	Chip R.	MCR03EZJ103		1			
R126	RK3049	Chip R.	MCR03EZJ822		1		R234	RK3054	Chip R.	MCR03EZJ223		1			
R128	RK3060	Chip R.	MCR03EZJ683		1		R235	RK3053	Chip R.	MCR03EZJ183		1			
R129	RK3050	Chip R.	MCR03EZJ103		1		R236	RK3050	Chip R.	MCR03EZJ103		1			
R130	RK3060	Chip R.	MCR03EZJ683		1		R237	RK3026	Chip R.	MCR03EZJ101		1			
R131	RK3061	Chip R.	MCR03EZJ823		1		R238	RK3062	Chip R.	MCR03EZJ104		1			
R132	RK3050	Chip R.	MCR03EZJ103		1		R239	RK3050	Chip R.	MCR03EZJ103		1			
R133	RK3037	Chip R.	MCR03EZJ821		1		R240	RK3038	Chip R.	MCR03EZJ102		1			
R134	RK3055	Chip R.	MCR03EZJ273		1		R241	RK3051	Chip R.	MCR03EZJ123		1			
R135	RK3052	Chip R.	MCR03EZJ153		1		R242	RK3044	Chip R.	MCR03EZJ332		1			
R136	RK3050	Chip R.	MCR03EZJ103		1		R243	RK3054	Chip R.	MCR03EZJ223		1			
R137	RK3067	Chip R.	MCR03EZJ274		1		R244	RK3068	Chip R.	MCR03EZJ334		1			
R138	RK3059	Chip R.	MCR03EZJ563		1		R245	RK3038	Chip R.	MCR03EZJ102		1			
R139	RK3050	Chip R.	MCR03EZJ103		1		R246	RK3046	Chip R.	MCR03EZJ472		1			
R140	RK3072	Chip R.	MCR03EZJ684		1		R247	RK3050	Chip R.	MCR03EZJ103		1			
R141	RK3064	Chip R.	MCR03EZJ154		1		R248	RK3070	Chip R.	MCR03EZJ474		1			
R142	RK3057	Chip R.	MCR03EZJ393		1		R249	RK3042	Chip R.	MCR03EZJ222		1			
R143	RK3050	Chip R.	MCR03EZJ103		1		R250	RK3070	Chip R.	MCR03EZJ474		1			
R144	RK3042	Chip R.	MCR03EZJ222		1		R251	RK3050	Chip R.	MCR03EZJ103		1			
R147	RK3050	Chip R.	MCR03EZJ103		1		R252	RK3070	Chip R.	MCR03EZJ474		1			
R148	RK3062	Chip R.	MCR03EZJ103		1		R253	RK3057	Chip R.	MCR03EZJ393		1			
R151	RK3050	Chip R.	MCR03EZJ104		1		R254	RK3057	Chip R.	MCR03EZJ393		1			
R152	RK3001	Chip R.	MCR03EZJ000		1		R255	RK3046	Chip R.	MCR03EZJ472		1			
R153	RK3050	Chip R.	MCR03EZJ103		1		R256	RK3026	Chip R.	MCR03EZJ101		1			
R155	RK3052	Chip R.	MCR03EZJ153		1		R257	RK3046	Chip R.	MCR03EZJ472		1			
R156	RK3034	Chip R.	MCR03EZJ471		1		R258	RK3057	Chip R.	MCR03EZJ393		1			
R157	RK3062	Chip R.	MCR03EZJ104		1		R259	RK3050	Chip R.	MCR03EZJ103		1			
R158	RK3026	Chip R.	MCR03EZJ101		1		R260	RK3054	Chip R.	MCR03EZJ223		1			
R160	RK3062	Chip R.	MCR03EZJ104		1		R261	RK3054	Chip R.	MCR03EZJ223		1			
R161	RK3062	Chip R.	MCR03EZJ104		1		R262	RK3068	Chip R.	MCR03EZJ334		1			
R162	RK3023	Chip R.	MCR03EZJ560		1		R263	RK3050	Chip R.	MCR03EZJ103		1			
R163	RK3014	Chip R.	MCR03EZJ100		1		R264	RK3038	Chip R.	MCR03EZJ102		1			
R164	RK3014	Chip R.	MCR03EZJ100		1		R265	RK3047	Chip R.	MCR03EZJ562		1			
R165	RK3074	Chip R.	MCR03EZJ105		1		R266	RK3050	Chip R.	MCR03EZJ103		1			
R167	RK3052	Chip R.	MCR03EZJ153		1		R267	RK3030	Chip R.	MCR03EZJ221		1			
R168	RK3054	Chip R.	MCR03EZJ223		1		R269	RK3062	Chip R.	MCR03EZJ104		1			
R171	RK3062	Chip R.	MCR03EZJ104		1		R271	RK4034	Chip R.	ERJ12YJ471U		1			
R172	RK3062	Chip R.	MCR03EZJ104		1		R272	RK3050	Chip R.	MCR03EZJ103		1			
R173	RK3026	Chip R.	MCR03EZJ101		1		R273	RK3062	Chip R.	MCR03EZJ104		1			
R174	RK3034	Chip R.	MCR03EZJ471		1		R274	RK3050	Chip R.	MCR03EZJ103		1			
R176	RK3050	Chip R.	MCR03EZJ103		1		R275	RK3022	Chip R.	MCR03EZJ470		1			
R179	RK3074	Chip R.	MCR03EZJ105		1		R277	RK3042	Chip R.	MCR03EZJ222		1			
R180	RK3001	Chip R.	MCR03EZJ000		1		R279	RK3046	Chip R.	MCR03EZJ472		1			
R181	RK3042	Chip R.	MCR03EZJ222		1		R280	RK3058	Chip R.	MCR03EZJ473		1			
R182	RK3062	Chip R.	MCR03EZJ104		1		R281	RK3041	Chip R.	MCR03EZJ182		1			
R183	RK3074	Chip R.	MCR03EZJ105		1		R282	RK3050	Chip R.	MCR03EZJ103		1			
R184	RK3057	Chip R.	MCR03EZJ393		1		R283	RK3038	Chip R.	MCR03EZJ102		1			
R185	RK3070	Chip R.	MCR03EZJ474		1		R284	RK3030	Chip R.	MCR03EZJ221		1			
R186	RK3026	Chip R.	MCR03EZJ101		1		R285	RK3050	Chip R.	MCR03EZJ103		1			
R187	RK3058	Chip R.	MCR03EZJ473		1		R286	RK3045	Chip R.	MCR03EZJ392		1			
R189	RK3038	Chip R.	MCR03EZJ102		1		R287	RK3046	Chip R.	MCR03EZJ472		1			
R190	RK3038	Chip R.	MCR03EZJ102		1		R288	RK3014	Chip R.	MCR03EZJ100		1			
R191	RK3038	Chip R.	MCR03EZJ102		1		R290	RK3038	Chip R.	MCR03EZJ102		1			
R192	RK3054	Chip R.	MCR03EZJ223		1		R291	RK3001	Chip R.	MCR03EZJ000		1			

Ref. No.	Parts No.	Description	Parts Name	Qty			Ver	Ref. No.	Parts No.	Description	Parts Name	Qty			Ver
				DR-135	DR-235	DR-435						DR-135	DR-235	DR-435	
L118	QKA95D	Coil	MR3.0 9.5T 0.6			1		R153	RK3038	Chip R.	MCR03EZHJ102			1	
L119	QC0059	Chip Inductor	NL322522T-022JA			1		R154	RK3042	Chip R.	MCR03EZHJ222			1	
L120	QC0059	Chip Inductor	NL322522T-022JA			1		R155	RK3052	Chip R.	MCR03EZHJ153			1	
Q101	XU0131	Chip Transistor	DTC114EUA T106			1		R156	RK3034	Chip R.	MCR03EZHJ471			1	
Q102	XU0131	Chip Transistor	DTC114EUA T106			1		R157	RK3058	Chip R.	MCR03EZHJ473			1	
Q103	XU0152	Chip Transistor	UMC5NTR			1		R158	RK3026	Chip R.	MCR03EZHJ101			1	
Q104	XU0131	Chip Transistor	DTC114EUA T106			1		R160	RK3050	Chip R.	MCR03EZHJ103			1	
Q105	XT0125	Chip Transistor	2SC4245-Y(TE85L)			1		R161	RK3034	Chip R.	MCR03EZHJ471			1	
Q106	XE0013	Chip Transistor	3SK184 TX S			1		R162	RK3026	Chip R.	MCR03EZHJ101			1	
Q107	XE0013	Chip Transistor	3SK184 TX S			1		R163	RK3026	Chip R.	MCR03EZHJ101			1	
Q108	XU0131	Chip Transistor	DTC114EUA T106			1		R164	RK0107	Chip R.	ERJ6GEY0R00V			1	
Q110	XU0131	Chip Transistor	DTC114EUA T106			1		R165	RK3074	Chip R.	MCR03EZHJ105			1	
Q111	XT0141	Chip Transistor	2SC4226-T1 R24			1		R168	RK3054	Chip R.	MCR03EZHJ223			1	
Q112	XT0141	Chip Transistor	2SC4226-T1 R24			1		R172	RK3056	Chip R.	MCR03EZHJ333			1	
Q113	XU0152	Chip Transistor	UMC5NTR			1		R173	RK3026	Chip R.	MCR03EZHJ101			1	
Q114	XU0131	Chip Transistor	DTC114EUA T106			1		R176	RK3044	Chip R.	MCR03EZHJ332			1	
Q115	XT0084	Chip Transistor	2SC2954 T1			1		R180	RK3038	Chip R.	MCR03EZHJ102			1	
Q116	XT0112	Transistor	2SB1292F			1		R181	RK3062	Chip R.	MCR03EZHJ104			1	
Q117	XT0095	Chip Transistor	2SC4081 T106R			1		R182	RK3042	Chip R.	MCR03EZHJ222			1	
Q118	XT0094	Chip Transistor	2SA1576A T106R			1		R183	RK3060	Chip R.	MCR03EZHJ683			1	
Q119	XU0148	Chip Transistor	DTC114EUA T106			1		R184	RK3058	Chip R.	MCR03EZHJ473			1	
Q120	XU0131	Chip Transistor	DTC114EUA T106			1		R185	RK3070	Chip R.	MCR03EZHJ474			1	
Q121	XU0178	Chip Transistor	XP1215-TX			1		R186	RK3062	Chip R.	MCR03EZHJ104			1	
Q122	XT0099	Chip Transistor	2SA1736 TE12R			1		R187	RK3058	Chip R.	MCR03EZHJ473			1	
Q123	XT0061	Chip Transistor	2SB1132T 100Q			1		R188	RK3026	Chip R.	MCR03EZHJ101			1	
Q124	XU0152	Chip Transistor	UMC5NTR			1		R189	RK3038	Chip R.	MCR03EZHJ102			1	
Q125	XT0048	Chip Transistor	2SC3357RE T1			1		R190	RK3038	Chip R.	MCR03EZHJ102			1	
Q126	XU0131	Chip Transistor	DTC114EUA T106			1		R191	RK3038	Chip R.	MCR03EZHJ102			1	
Q127	XT0095	Chip Transistor	2SC4081 T106R			1		R192	RK3058	Chip R.	MCR03EZHJ473			1	
Q128	XU0131	Chip Transistor	DTC114EUA T106			1		R193	RK3038	Chip R.	MCR03EZHJ102			1	
Q129	XU0148	Chip Transistor	DTC114EUA T106			1		R195	RK3070	Chip R.	MCR03EZHJ474			1	
Q130	XU0112	Chip Transistor	DTA114YUA T106			1		R196	RK3038	Chip R.	MCR03EZHJ102			1	
Q131	XT0141	Chip Transistor	2SC4226-T1 R24			1		R197	RK3050	Chip R.	MCR03EZHJ103			1	
Q132	XU0131	Chip Transistor	DTC114EUA T106			1		R198	RK3042	Chip R.	MCR03EZHJ222			1	
Q133	XU0131	Chip Transistor	DTC114EUA T106			1		R199	RK3042	Chip R.	MCR03EZHJ222			1	
Q134	XT0095	Chip Transistor	2SC4081 T106R			1		R200	RK3070	Chip R.	MCR03EZHJ474			1	
Q135	XT0095	Chip Transistor	2SC4081 T106R			1		R201	RK3042	Chip R.	MCR03EZHJ222			1	
Q136	XU0148	Chip Transistor	DTC114EUA T106			1		R203	RK3056	Chip R.	MCR03EZHJ333			1	
Q137	XU0131	Chip Transistor	DTC114EUA T106			1		R204	RK3062	Chip R.	MCR03EZHJ104			1	
Q139	XT0095	Chip Transistor	2SC4081 T106R			1		R206	RK0130	Chip R.	ERJ6GEYJ4R7V			1	
Q140	XT0095	Chip Transistor	2SC4081 T106R			1		R207	RK3052	Chip R.	MCR03EZHJ153			1	
Q141	XU0148	Chip Transistor	DTC114EUA T106			1		R208	RK3034	Chip R.	MCR03EZHJ471			1	
Q142	XU0148	Chip Transistor	DTC114EUA T106			1		R209	RK3061	Chip R.	MCR03EZHJ823			1	
R101	RK3050	Chip R.	MCR03EZHJ103			1		R210	RK3030	Chip R.	MCR03EZHJ221			1	
R102	RK3091	Chip R.	MCR03EZPFX3902			1		R211	RK4018	Chip R.	ERJ12YJ220U			1	
R103	RK3091	Chip R.	MCR03EZPFX3902			1		R212	RK4026	Chip R.	ERJ12YJ101U			1	
R104	RK3050	Chip R.	MCR03EZHJ103			1		R213	RK3049	Chip R.	MCR03EZHJ822			1	
R105	RK3028	Chip R.	MCR03EZHJ151			1		R214	RK3050	Chip R.	MCR03EZHJ103			1	
R106	RK3026	Chip R.	MCR03EZHJ101			1		R215	RK3036	Chip R.	MCR03EZHJ681			1	
R107	RK3026	Chip R.	MCR03EZHJ101			1		R216	RK3042	Chip R.	MCR03EZHJ222			1	
R109	RK3026	Chip R.	MCR03EZHJ101			1		R217	RK3042	Chip R.	MCR03EZHJ222			1	
R110	RK3068	Chip R.	MCR03EZHJ334			1		R218	RK3060	Chip R.	MCR03EZHJ683			1	
R111	RK3044	Chip R.	MCR03EZHJ332			1		R219	RK3042	Chip R.	MCR03EZHJ222			1	
R112	RK3022	Chip R.	MCR03EZHJ470			1		R220	RK4034	Chip R.	ERJ12YJ471U			1	
R113	RK3022	Chip R.	MCR03EZHJ470			1		R221	RK3051	Chip R.	MCR03EZHJ123			1	
R114	RK3042	Chip R.	MCR03EZHJ222			1		R222	RK3050	Chip R.	MCR03EZHJ103			1	
R115	RK3041	Chip R.	MCR03EZHJ182			1		R223	RK3026	Chip R.	MCR03EZHJ101			1	
R116	RK3030	Chip R.	MCR03EZHJ221			1		R224	RK3018	Chip R.	MCR03EZHJ220			1	
R117	RK3070	Chip R.	MCR03EZHJ474			1		R226	RK3038	Chip R.	MCR03EZHJ102			1	
R118	RK3026	Chip R.	MCR03EZHJ101			1		R227	RK3034	Chip R.	MCR03EZHJ471			1	
R119	RK3052	Chip R.	MCR03EZHJ153			1		R228	RK3054	Chip R.	MCR03EZHJ223			1	
R120	RK3045	Chip R.	MCR03EZHJ392			1		R229	RK3045	Chip R.	MCR03EZHJ392			1	
R121	RK3063	Chip R.	MCR03EZHJ124			1		R230	RK3050	Chip R.	MCR03EZHJ103			1	
R122	RK3059	Chip R.	MCR03EZHJ563			1		R231	RK3022	Chip R.	MCR03EZHJ470			1	
R123	RK3061	Chip R.	MCR03EZHJ823			1		R234	RK3054	Chip R.	MCR03EZHJ223			1	
R124	RK3057	Chip R.	MCR03EZHJ393			1		R235	RK3050	Chip R.	MCR03EZHJ103			1	
R125	RK3036	Chip R.	MCR03EZHJ681			1		R236	RK3050	Chip R.	MCR03EZHJ103			1	
R126	RK3049	Chip R.	MCR03EZHJ822			1		R237	RK3026	Chip R.	MCR03EZHJ101			1	
R128	RK3062	Chip R.	MCR03EZHJ104			1		R238	RK3062	Chip R.	MCR03EZHJ104			1	
R129	RK0069	Chip R.	ERJ6GEYJ104V			1		R239	RK3050	Chip R.	MCR03EZHJ103			1	
R131	RK3054	Chip R.	MCR03EZHJ223			1		R240	RK3038	Chip R.	MCR03EZHJ102			1	
R132	RK3050	Chip R.	MCR03EZHJ103			1		R241	RK3051	Chip R.	MCR03EZHJ123			1	
R133	RK3032	Chip R.	MCR03EZHJ331			1		R242	RK3038	Chip R.	MCR03EZHJ102			1	
R134	RK3054	Chip R.	MCR03EZHJ223			1		R243	RK3054	Chip R.	MCR03EZHJ223			1	
R135	RK3056	Chip R.	MCR03EZHJ333			1		R244	RK3068	Chip R.	MCR03EZHJ334			1	
R136	RK3050	Chip R.	MCR03EZHJ103			1		R245	RK3038	Chip R.	MCR03EZHJ102			1	
R137	RK3067	Chip R.	MCR03EZHJ274			1		R246	RK3046	Chip R.	MCR03EZHJ472			1	
R138	RK3059	Chip R.	MCR03EZHJ563			1		R247	RK3050	Chip R.	MCR03EZHJ103			1	
R139	RK3050	Chip R.	MCR03EZHJ103			1		R248	RK3070	Chip R.	MCR03EZHJ474			1	
R140	RK3072	Chip R.	MCR03EZHJ684			1		R249	RK3044	Chip R.	MCR03EZHJ332			1	
R141	RK3064	Chip R.	MCR03EZHJ154			1		R250	RK3070	Chip R.	MCR03EZHJ474			1	
R142	RK3055	Chip R.	MCR03EZHJ273			1		R251	RK3050	Chip R.	MCR03EZHJ103			1	
R143	RK3038	Chip R.	MCR03EZHJ102			1		R252	RK3070	Chip R.	MCR03EZHJ474			1	
R144	RK3042	Chip R.	MCR03EZHJ222			1		R253	RK3057	Chip R.	MCR03EZHJ393			1	
R147	RK3050	Chip R.	MCR03EZHJ103			1		R254	RK3057	Chip R.	MCR03EZHJ393			1	
R148	RK3062	Chip R.	MCR03EZHJ104			1		R255	RK3046	Chip R.	MCR03EZHJ472			1	
R150	RK3058	Chip R.	MCR03EZHJ473			1		R256	RK3026	Chip R.	MCR03EZHJ101			1	
R151	RK3050	Chip R.	MCR03EZHJ103			1		R257	RK3046	Chip R.	MCR03EZHJ472			1	
R152	RK3038	Chip R.	MCR03EZHJ102			1		R258	RK3057	Chip R.	MCR03EZHJ393			1	

Ref. No.	Parts No.	Description	Parts Name	Qty			Ver
				DR-135	DR-235	DR-435	
R259	RK3050	Chip R.	MCR03EZHU103			1	
R260	RK3054	Chip R.	MCR03EZHU223			1	
R261	RK3054	Chip R.	MCR03EZHU223			1	
R262	RK3069	Chip R.	MCR03EZHU394			1	
R263	RK3051	Chip R.	MCR03EZHU123			1	
R264	RK3038	Chip R.	MCR03EZHU102			1	
R265	RK3062	Chip R.	MCR03EZHU104			1	
R266	RK3050	Chip R.	MCR03EZHU103			1	
R268	RK3050	Chip R.	MCR03EZHU103			1	
R269	RK3074	Chip R.	MCR03EZHU105			1	
R271	RK4034	Chip R.	ERJ12YJ471U			1	
R272	RK3050	Chip R.	MCR03EZHU103			1	
R273	RK3050	Chip R.	MCR03EZHU103			1	
R274	RK3050	Chip R.	MCR03EZHU103			1	
R277	RK3042	Chip R.	MCR03EZHU222			1	
R279	RK3046	Chip R.	MCR03EZHU472			1	
R280	RK1028	Chip R.	ERJ8GEYJ471V			1	
R281	RK3041	Chip R.	MCR03EZHU182			1	
R282	RK3018	Chip R.	MCR03EZHU220			1	
R283	RK3038	Chip R.	MCR03EZHU102			1	
R287	RK3046	Chip R.	MCR03EZHU472			1	
R291	RK3026	Chip R.	MCR03EZHU101			1	
R293	RK3050	Chip R.	MCR03EZHU103			1	
R295	RK3038	Chip R.	MCR03EZHU102			1	
R296	RK3058	Chip R.	MCR03EZHU473			1	
R297	RK3050	Chip R.	MCR03EZHU103			1	
R303	RK3049	Chip R.	MCR03EZHU822			1	
R304	RK3049	Chip R.	MCR03EZHU822			1	
R305	RK3042	Chip R.	MCR03EZHU222			1	
R306	RK3076	Chip R.	MCR03EZHU155			1	
R308	RK3076	Chip R.	MCR03EZHU155			1	
R309	RK3050	Chip R.	MCR03EZHU103			1	
R310	RK3042	Chip R.	MCR03EZHU222			1	
R315	RK3042	Chip R.	MCR03EZHU222			1	
R316	RK3051	Chip R.	MCR03EZHU123			1	
R318	RK3050	Chip R.	MCR03EZHU103			1	
R319	RK3062	Chip R.	MCR03EZHU104			1	
R320	RK3062	Chip R.	MCR03EZHU104			1	
R322	RD0108	Jumper	J1/6Z			1	
R324	RK3014	Chip R.	MCR03EZHU100			1	
R325	RK3066	Chip R.	MCR03EZHU224			1	
R326	RK3038	Chip R.	MCR03EZHU102			1	
R327	RK3092	Chip R.	MCR03EZPFX7502			1	
R328	RD3013	Resistor	ERX1SJ100			1	
R329	RK3062	Chip R.	MCR03EZHU104			1	
R330	RK3062	Chip R.	MCR03EZHU104			1	
R331	RK3038	Chip R.	MCR03EZHU102			1	
R332	RK3054	Chip R.	MCR03EZHU223			1	
R333	RK3062	Chip R.	MCR03EZHU104			1	
R334	RK3042	Chip R.	MCR03EZHU222			1	
SH101	TS0164A	Case	VCO CASE DR235			1	
TC101	CT0012	Trimmer C.	CTZ3S-10A-W1-P			1	
TC102	CT0012	Trimmer C.	CTZ3S-10A-W1-P			1	
TC103	CT0012	Trimmer C.	CTZ3S-10A-W1-P			1	
TH101	XS0031	Thermistor	NTCCM16084BH682KCT			1	
TH102	XS0030	Thermistor	NTCCM16084LH223KCT			1	
VR101	RH0146	Trimmer R.	MVR22HXBRN473			1	
VR102	RH0148	Trimmer R.	MVR22HXBRN104			1	
VR103	RH0142	Trimmer R.	MVR22HXBRN103			1	
VR104	RH0142	Trimmer R.	MVR22HXBRN103			1	
VR105	RH0142	Trimmer R.	MVR22HXBRN103			1	
VR106	RH0146	Trimmer R.	MVR22HXBRN473			1	
VR107	RH0140	Trimmer R.	MVR22HXBRN472			1	
X101	XK0002	Discriminator	CDBM455C7			1	
X103	XQ0112	Xtal	UM-5 21.250MHZ			1	
X104	XQ0058Z	Xtal	UM5 30.395MHZ			1	
XF101	XF0014Z	Xtal Filter	30M152A 30.85MHZ SHEET			1	
	TZ0072		DR435 INTEGRATED			1	
	UP0415	P.C.B	GND SPRING DR130			1	
	SD0034		SILICON DUMPER			2	
	TZ0049						

Ref. No.	Parts No.	Description	Parts Name	Qty			Ver
				DR-135	DR-235	DR-435	
C513	CS0063	Chip tantalum	TMCSA1V104MTR			1	
C514	CU3035	Chip C.	C1608JB1H102KT-AS			1	
C515	CU3003	Chip C.	C1608CH1H020CT-AS			1	
C516	CU3019	Chip C.	C1608CH1H470JT-AS			1	
C517	CU3006	Chip C.	C1608CH1H050CT-AS			1	
C518	CU3004	Chip C.	C1608CH1H030CT-AS			1	
C519	CU3002	Chip C.	C1608CH1H010CT-AS			1	
C520	CU3035	Chip C.	C1608JB1H102KT-AS			1	
C521	CU3003	Chip C.	C1608CH1H020CT-AS			1	
C522	CU3035	Chip C.	C1608JB1H102KT-AS			1	
C523	CS0372	Chip tantalum	TMCMB1C106MTR			1	
C524	CU3035	Chip C.	C1608JB1H102KT-AS			1	
C525	CU3035	Chip C.	C1608JB1H102KT-AS			1	
C526	CU3011	Chip C.	C1608CH1H100DT-AS			1	
C527	CU3011	Chip C.	C1608CH1H100DT-AS			1	
C528	CU3035	Chip C.	C1608JB1H102KT-AS			1	
C529	CU3006	Chip C.	C1608CH1H050CT-AS			1	
CN501	UE0368	Connector	AXN39301613			1	
D501	XD0131	Chip Diode	1SV214 TPH4			1	
D502	XD0131	Chip Diode	1SV214 TPH4			1	
D503	XD0131	Chip Diode	1SV214 TPH4			1	
IC501	XA0352	IC	M64076GP			1	
L501	QC0101	Chip Inductor	LER015TR82M			1	
L503	QA0093	Chip Inductor	QA0093			1	
L504	QC0101	Chip Inductor	LER015TR82M			1	
L505	QC0096	Chip Inductor	LER015TR33M			1	
L506	QC0430	Chip Inductor	MLF1608DR10K-T			1	
L507	QC0430	Chip Inductor	MLF1608DR10K-T			1	
Q501	XT0124	Chip Transistor	2SC4215-Y(TE85L)			1	
Q502	XE0010	Chip FET	2SK508K52 T2B			1	
Q503	XT0125	Chip Transistor	2SC4245-Y(TE85L)			1	
Q504	XT0125	Chip Transistor	2SC4245-Y(TE85L)			1	
R501	RK3030	Chip R.	MCR03EZHU221			1	
R502	RK3022	Chip R.	MCR03EZHU470			1	
R503	RK3038	Chip R.	MCR03EZHU102			1	
R504	RK3038	Chip R.	MCR03EZHU102			1	
R505	RK3038	Chip R.	MCR03EZHU102			1	
R506	RK3001	Chip R.	MCR03EZHU000			1	
R507	RK3047	Chip R.	MCR03EZHU562			1	
R508	RK3050	Chip R.	MCR03EZHU103			1	
R509	RK3038	Chip R.	MCR03EZHU102			1	
R510	RK3026	Chip R.	MCR03EZHU101			1	
R511	RK3034	Chip R.	MCR03EZHU471			1	
R512	RK3054	Chip R.	MCR03EZHU223			1	
R513	RK3043	Chip R.	MCR03EZHU272			1	
R514	RK3060	Chip R.	MCR03EZHU683			1	
R515	RK3058	Chip R.	MCR03EZHU473			1	
R516	RK3022	Chip R.	MCR03EZHU470			1	
R517	RK3060	Chip R.	MCR03EZHU683			1	
R518	RK3022	Chip R.	MCR03EZHU470			1	
R519	RK3022	Chip R.	MCR03EZHU470			1	
R520	RK3050	Chip R.	MCR03EZHU103			1	
R521	RK3045	Chip R.	MCR03EZHU392			1	
R522	RK3030	Chip R.	MCR03EZHU221			1	
R523	RK3030	Chip R.	MCR03EZHU221			1	
R524	RK3050	Chip R.	MCR03EZHU103			1	
R525	RK3042	Chip R.	MCR03EZHU222			1	
R526	RK3044	Chip R.	MCR03EZHU332			1	
R527	RK3038	Chip R.	MCR03EZHU102			1	

Mechanical Parts

Ref. No.	Parts No.	Description	Parts Name	Qty			Ver
				DR-135	DR-235	DR-435	
CN7	UE0401	Dsub Connector	K-D-09S-SE	1	1	1	
CN6	UX1251	Wire	WIRE DSUB	1	1	1	
	ES0017	Speaker	057M9017	1	1	1	
	UX1047	Wire	Speaker	1	1	1	
	AA0050	Screw	M2.6+6 FE/B.Zn	6	6	6	
	AE0029	Screw	RDG-LNA-W1(01)	2	2	2	
	AV0006	Screw	B2.6+8 Fe/Ni	16	16	16	
	AW0001	Screw	3+8 Fe/Ni	2	2	2	
	AZ0042	Washer		2	2	2	
	DP0127	LCD PANEL	DR135	1	-	-	
	DP0135	LCD PANEL	DR235	-	1	-	
	DP0136	LCD PANEL	DR435	-	-	1	
	FF0015	Cloth	BLIND CLOTH DR110	2	2	2	
	FF0017	Cloth	BLIND CLOTH DR570	1	1	1	
	FG0273	Rubber	ON AIR KEY RUBBER	1	1	1	
	FG0320	SP Cushion		1	1	1	
	KS0068	Bottom Case	DR135	1	1	1	T,E
	KS0070	Bottom Case	G DR135	1	1	1	TG,EG
	KZ0105	Front Panel	DR135	1	1	1	T,E
	KZ0120	Front Panel	G DR135	1	1	1	TG,EG
	NK0072	Knob	VOL DR135	1	1	1	
	NK0073	Knob	DIAL DR135	1	1	1	
	SS0093	Chassis	DR135	1	1	1	T,E
	SS0095	Chassis	G DR135	1	1	1	TG,EG

VCO Unit (DR-435)

Ref. No.	Parts No.	Description	Parts Name	Qty			Ver
				DR-135	DR-235	DR-435	
C501	CU3047	Chip C.	C1608JB1H103KT-N			1	
C502	CU3023	Chip C.	C1608CH1H101JT-AS			1	
C503	CU3047	Chip C.	C1608JB1H103KT-N			1	
C504	CU3023	Chip C.	C1608CH1H101JT-AS			1	
C505	CU3023	Chip C.	C1608CH1H101JT-AS			1	
C506	CU3031	Chip C.	C1608JB1H471KT-AS			1	
C507	CU3035	Chip C.	C1608JB1H102KT-AS			1	
C508	CU3102	Chip C.	C1608JB1C333KT-NS			1	
C509	CS0220	Chip tantalum	TMCMA1C225MTR			1	
C510	CS0220	Chip tantalum	TMCMA1C225MTR			1	
C511	CU3006	Chip C.	C1608CH1H050CT-AS			1	
C512	CU3035	Chip C.	C1608JB1H102KT-AS			1	

Ref. No.	Parts No.	Description	Parts Name	Qty			Ver
				DR-135	DR-235	DR-435	
	ST0065	SP Holder	DR135	1	1	1	
	ST0066	SP FITTING	DR135	1	1	1	
	TG0034	SP Himelon	DR135	1	1	1	
	UE0258	ANT Connector	FM-M.D.R-(4)	1	1	1	
	YZ0131	Tape	#9110 12X1mm	60	60	60	
	DS0388A		Model Name Plate	1	-	1	E,EG
	DS0429		Model Name Plate	1	1	1	T,TG
	PR0309	Label	CE-MARKLABEL DJG5E	2.2	-	2.2	E,EG
	PR0451	Label	FCC Part 15 Seal	1	1	1	T,TG
	PR0452	Label	FCC Home Use Seal	1	1	1	T,TG

Packing Parts

Ref. No.	Parts No.	Description	Parts Name	Qty			Ver
				DR-135	DR-235	DR-435	
	HK0486	Package	Item Carton DR135	1	-	-	
	HK0507	Package	Item Carton DR235T	-	1	-	T,TG
	HK0508	Package	Item Carton DR435T	-	-	1	
	HM0203	Carton Box	5PCS	0.2	0.2	0.2	
	HU0099	P.MTL/Carton	FRONT DR605	1	1	1	
	HU0159	P.MTL/Carton	Fixture	1	1	1	
	HU0161	P.MTL/Carton	Fixture 5PCS	0.4	0.4	0.4	
	PR0345	Label	T	3	3	3	T,TG
	PT0004A	Label	SERIAL NO.FOR CARTON	2	2	2	

ACCESSORIES

Ref. No.	Parts No.	Description	Parts Name	Qty			Ver
				DR-135	DR-235	DR-435	
	ADFM78	Bracket	DR130	1	1	1	
	ADUA38	Power cable	R-B2.0X3M RECEPT.15A	1	1	1	
	EMS53	Microphone		1	1	1	E,EG
	EMS56	Microphone		1	-	-	
	EMS57	Microphone	Remote control	-	1	1	T,TG
	HP0009	Plastic bag	5X125X250(ADUA38)	1	1	1	
	HP0035	Plastic bag	5X200X250(DR135)	1	1	1	
	PH0009A		Registration Card	1	1	1	T,TG
	PK0078		Schematic Diagram DR135	1	-	-	
	PK0083		Schematic Diagram DR235	-	1	-	T,TG
	PK0085		Schematic Diagram DR435	-	-	1	
	PR0454	Label	Security Seal T	2	2	2	
	PS0370	Manual	INSTRUCTION DR235T	1	1	1	
	UX1259	Wire	SCR1	1	1	1	
	UX1260	Wire	SCR2	1	1	1	

ACCESSORIES (SCREW SET)

Ref. No.	Parts No.	Description	Parts Name	Qty			Ver
				DR-135	DR-235	DR-435	
	AA0013	Screw	M5+20 Fe/Zn	4	4	4	
	AE0012	Screw	HEXH/D M4+8 Fe/B.Zn	4	4	4	
	AJ0003	Screw	T5+20 Fe/Zn	4	4	4	
	AJ0003	Nut	N5x0.8 Fe/Zn	4	4	4	
	AZ0009	Washer	5x9.2x1.3 Fe/Zn	4	4	4	
	AZ0010	Washer	5x12x0.8 Fe/Zn	4	4	4	
	EF0005	Fuse	FGBO 125V 15A	2	2	2	
	FM0079Z	SPANNER	DR130	1	1	1	
	HP0006	Plastic bag	5X90X170	1	1	1	
	YZ0121	Tape	Tape 10mm	2	2	2	

TNC (EJ41U)

Ref.No.	Parts No.	Description	Parts Name	Qty
BAT1	ED0006	Battery	BR2032 1F2	1
C1	CS0408	Chip Tantal	6MCM156MATER	1
C2	CS0408	Chip Tantal	6MCM156MATER	1
C3	CU3035	Chip C.	C1608JB1H102KT-AS	1
C4	CU3111	Chip C.	C1608JB1C104KT-N	1
C5	CU9018	Chip C.	C3216JB1C105MT-N	1
C6	CU3047	Chip C.	C1608JB1H103KT-N	1
C7	CU3047	Chip C.	C1608JB1H103KT-N	1
C8	CU3111	Chip C.	C1608JB1C104KT-N	1
C9	CU3051	Chip C.	C1608JB1E223KT-NS	1
C10	CU3111	Chip C.	C1608JB1C104KT-N	1
C11	CU3111	Chip C.	C1608JB1C104KT-N	1
C12	CU9018	Chip C.	C3216JB1C105MT-N	1
C13	CU3051	Chip C.	C1608JB1E223KT-NS	1
C14	CU3116	Chip C.	C1608CH1H471JT-AS	1
C15	CU3051	Chip C.	C1608JB1E223KT-NS	1
C16	CU3051	Chip C.	C1608JB1E223KT-NS	1
C17	CU3045	Chip C.	C1608JB1H682KT-NS	1
C18	CU3045	Chip C.	C1608JB1H682KT-NS	1
C19	CU3047	Chip C.	C1608JB1H103KT-N	1
C20	CU9018	Chip C.	C3216JB1C105MT-N	1
C21	CU3111	Chip C.	C1608JB1C104KT-N	1
C22	CU3035	Chip C.	C1608JB1H102KT-AS	1
C23	CU3111	Chip C.	C1608JB1C104KT-N	1
C24	CU3004	Chip C.	C1608CH1H030CT-AS	1
C25	CU3047	Chip C.	C1608JB1H103KT-N	1
C26	CU3027	Chip C.	C1608CH1H221JT-AS	1
C27	CU3023	Chip C.	C1608CH1H101JT-AS	1
C28	CU3111	Chip C.	C1608JB1C104KT-N	1
C29	CU3111	Chip C.	C1608JB1C104KT-N	1
C30	CU3111	Chip C.	C1608JB1C104KT-N	1
C31	CU3062	Chip C.	C1608CH1H160JT-A	1
C32	CU3111	Chip C.	C1608JB1C104KT-N	1
C33	CS0049	Chip Tantal	TMCSA1C105MTR	1
C34	CS0394	Chip Tantal	TMCMB0J476MTR	1
C35	CU3111	Chip C.	C1608JB1C104KT-N	1
C36	CU3019	Chip C.	C1608CH1H470JT-AS	1
C37	CU3043	Chip C.	C1608JB1H472KT-NS	1
C38	CU3111	Chip C.	C1608JB1C104KT-N	1
C39	CU3047	Chip C.	C1608JB1H103KT-N	1
C40	CU3045	Chip C.	C1608JB1H682KT-NS	1
C41	CU3116	Chip C.	C1608CH1H471JT-AS	1
C42	CU9018	Chip C.	C3216JB1C105MT-N	1
C43	CU3039	Chip C.	C1608JB1H222KT-AS	1
C44	CU3051	Chip C.	C1608JB1E223KT-NS	1
C45	CU3045	Chip C.	C1608JB1H682KT-NS	1
C46	CU3039	Chip C.	C1608JB1H222KT-AS	1
C48	CU3111	Chip C.	C1608JB1C104KT-N	1
CN1	UE0402	Connector	PI28B11M	1
D1	XL0036	LED	SML-310MTT86	1
D2	XL0035	LED	SML-310UTT86	1
D3	XL0036	LED	SML-310MTT86	1
D4	XL0036	LED	SML-310MTT86	1
D5	XD0291	Diode	MA729-TX	1
D6	XD0291	Diode	MA729-TX	1
IC1	XA0678	IC	TGT0210Q	1
IC2	XA0463	IC	TA75S393F(TE85L)	1
IC3	XA0679	IC	TMT0110Q	1
IC4	XA0224	IC	NJM2904M T1	1
IC5	XA0326	IC	NJM2903(T1)	1
IC6	XA0680	IC	ADM232AARN-REEL	1
IC7	XA0668	IC	S-80829ALNP-EAS-T2	1
L2	QB0044	Chip Coil	BK1608HM601-T	1
Q1	XT0095	Transistor	2SC4081 T106R	1
Q2	XT0094	Transistor	2SA1576A T106R	1
Q3	XT0094	Transistor	2SA1576A T106R	1
Q4	XT0094	Transistor	2SA1576A T106R	1
Q5	XE0029	FET	2SK1580-T1	1
Q6	XT0095	Transistor	2SC4081 T106R	1
Q7	XU0078	Transistor	UN521L-TX	1
Q8	XT0095	Transistor	2SC4081 T106R	1
Q9	XT0094	Transistor	2SA1576A T106R	1
Q10	XT0095	Transistor	2SC4081 T106R	1
Q11	XT0095	Transistor	2SC4081 T106R	1
R1	RK3062	Chip R.	MCR03EZHU104	1
R2	RK3062	Chip R.	MCR03EZHU104	1
R3	RK3062	Chip R.	MCR03EZHU104	1
R4	RK3062	Chip R.	MCR03EZHU104	1
R5	RK3034	Chip R.	MCR03EZHU471	1
R6	RK3034	Chip R.	MCR03EZHU471	1
R7	RK3034	Chip R.	MCR03EZHU471	1
R8	RK3032	Chip R.	MCR03EZHU331	1
R9	RK3038	Chip R.	MCR03EZHU102	1
R10	RK3050	Chip R.	MCR03EZHU103	1
R11	RK3066	Chip R.	MCR03EZHU224	1
R12	RK3038	Chip R.	MCR03EZHU102	1

Ref.No.	Parts No.	Description	Parts Name	Qty
R13	RK3038	Chip R.	MCR03EZHU102	1
R14	RK3038	Chip R.	MCR03EZHU102	1
R15	RK3038	Chip R.	MCR03EZHU102	1
R16	RK3038	Chip R.	MCR03EZHU102	1
R17	RK3050	Chip R.	MCR03EZHU103	1
R18	RK3050	Chip R.	MCR03EZHU103	1
R19	RK3038	Chip R.	MCR03EZHU102	1
R20	RK3038	Chip R.	MCR03EZHU102	1
R21	RK3053	Chip R.	MCR03EZHU183	1
R22	RK3054	Chip R.	MCR03EZHU223	1
R23	RK3050	Chip R.	MCR03EZHU103	1
R24	RK3071	Chip R.	MCR03EZHJ564	1
R25	RK3050	Chip R.	MCR03EZHJ103	1
R26	RK3050	Chip R.	MCR03EZHJ103	1
R27	RK3050	Chip R.	MCR03EZHJ103	1
R28	RK3048	Chip R.	MCR03EZHJ682	1
R29	RK3050	Chip R.	MCR03EZHJ103	1
R30	RK3044	Chip R.	MCR03EZHJ332	1
R32	RK3042	Chip R.	MCR03EZHJ222	1
R33	RK3050	Chip R.	MCR03EZHJ103	1
R34	RK3051	Chip R.	MCR03EZHJ123	1
R35	RK3051	Chip R.	MCR03EZHJ123	1
R36	RK3054	Chip R.	MCR03EZHJ223	1
R37	RK3051	Chip R.	MCR03EZHJ123	1
R38	RK3051	Chip R.	MCR03EZHJ123	1
R39	RK3050	Chip R.	MCR03EZHJ103	1
R40	RK3051	Chip R.	MCR03EZHJ123	1
R41	RK3054	Chip R.	MCR03EZHJ223	1
R42	RK3044	Chip R.	MCR03EZHJ332	1
R44	RK3001	Chip R.	MCR03EZHJ000	1
R45	RK3030	Chip R.	MCR03EZHJ221	1
R46	RK3057	Chip R.	MCR03EZHJ393	1
R47	RK3050	Chip R.	MCR03EZHJ103	1
R48	RK3050	Chip R.	MCR03EZHJ103	1
R49	RK3046	Chip R.	MCR03EZHJ472	1
R50	RK3038	Chip R.	MCR03EZHJ102	1
R51	RK3061	Chip R.	MCR03EZHJ823	1
R52	RK3058	Chip R.	MCR03EZHJ473	1
R53	RK3054	Chip R.	MCR03EZHJ223	1
R54	RK3001	Chip R.	MCR03EZHJ000	1
R55	RK3062	Chip R.	MCR03EZHJ104	1
R56	RK3064	Chip R.	MCR03EZHJ154	1
R57	RK3058	Chip R.	MCR03EZHJ473	1
R58	RK3050	Chip R.	MCR03EZHJ103	1
R59	RK3001	Chip R.	MCR03EZHJ000	1
R60	RK3044	Chip R.	MCR03EZHJ332	1
R61	RK3001	Chip R.	MCR03EZHJ000	1
R62	RK3060	Chip R.	MCR03EZHJ683	1
R63	RK3029	Chip R.	MCR03EZHJ181	1
R64	RK3050	Chip R.	MCR03EZHJ103	1
R65	RK3050	Chip R.	MCR03EZHJ103	1
R66	RK3059	Chip R.	MCR03EZHJ563	1
R67	RK3050	Chip R.	MCR03EZHJ103	1
R68	RK3054	Chip R.	MCR03EZHJ223	1
R69	RK3050	Chip R.	MCR03EZHJ103	1
R70	RK3050	Chip R.	MCR03EZHJ103	1
R71	RK3050	Chip R.	MCR03EZHJ103	1
R72	RK3050	Chip R.	MCR03EZHJ103	1
R73	RK3001	Chip R.	MCR03EZHJ000	1
R74	RK3058	Chip R.	MCR03EZHJ473	1
R75	RK3062	Chip R.	MCR03EZHJ104	1
R76	RK3064	Chip R.	MCR03EZHJ154	1
R77	RK3030	Chip R.	MCR03EZHJ221	1
R78	RK3050	Chip R.	MCR03EZHJ103	1
R79	RK3050	Chip R.	MCR03EZHJ103	1
R80	RK3058	Chip R.	MCR03EZHJ473	1
R81	RK3058	Chip R.	MCR03EZHJ473	1
R82	RK3044	Chip R.	MCR03EZHJ332	1
R83	RK3074	Chip R.	MCR03EZHJ105	1
R84	RK3050	Chip R.	MCR03EZHJ103	1
R85	RK3046	Chip R.	MCR03EZHJ472	1
R87	RK3062	Chip R.	MCR03EZHJ104	1
R88	RK3062	Chip R.	MCR03EZHJ104	1
VR1	RH0142	Trim.Pot	MVR22HXBRN103	1
VR2	RH0142	Trim.Pot	MVR22HXBRN103	1
W2	UX1253	Connector	WIRE TNC	1
X1	XQ0124	Xtal	AT-49.7.9872MHZ	1
	UP0402	PCB	EJ41U (TNC)	0.125
	FF0033	VELCRO	A	1
	FG0040	Cushion		2
	TZ0024	Insulator	LITHIUM BATT.	1
	TZ0056	Insulator	SILICON 49U	1
	YZ0131	Tape	#9110 12X1mm	25

Downloaded by **RadioAmateur.EU**

TNC (EJ41U) Packing Parts

Ref.No.	Parts No.	Description	Parts Name	Qty
	FD0001	Floppy-Disc	(WIN2HD)	1
	FF0034	VELCRO	B	1
	FG0040	Cushion		1
	HK0487	Package	Item Carton EJ41U	1
	HP0029	Plastic bag	5X100X100	1
	HP0040	Plastic bag	8X130X200	1
	PF0061	SHEET	EJ41U	1
	PR0449	Label	EJ41U	1
	PS0354	Manual	INSTRUCTION EJ41U	1
	PS0355	Manual	INST-DISC EJ41U	1
	UJZ0030	Plug	MP-013LC 3.5mm Plug	1

DR-135 ADJUSTMENT

1) Adjustment Spot

Power Supply Voltage 13.8 V

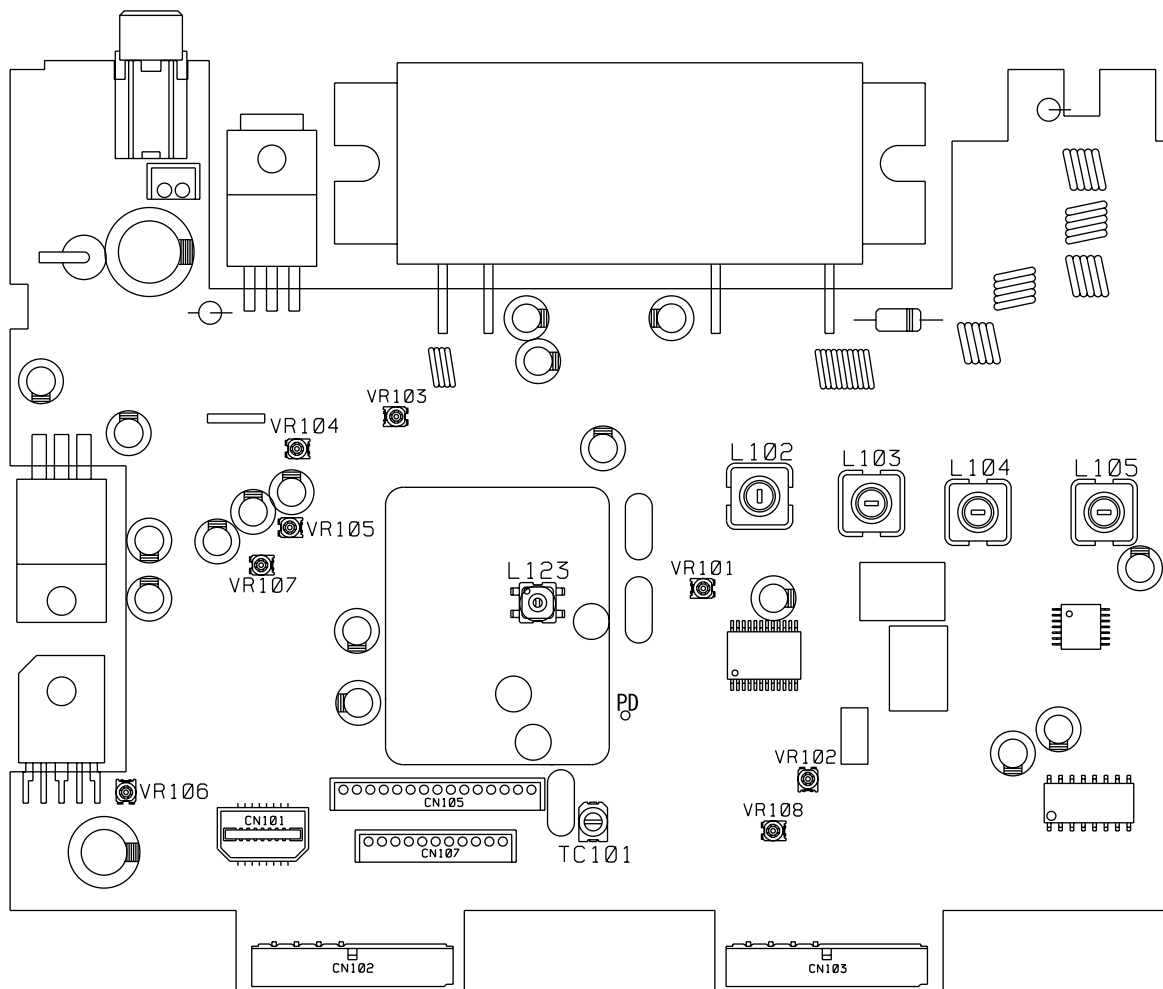
Output of SSG is all EMF indication

If without instruction, WIDE mode

If without instruction, SSG output is MOD 1KHz WIDE DEV 3.5KHz/DEV, NARROW DEV 1.75KHz/DEV

Standard Modulation is also based above.

Speaker load is 8Ω and Output is 50~100 mV.



Attention: Don't set the variable resistor into its open position.

2) VCO and RX Adjustment Specification

ITEM	CONDITION	UNIT	ADJ.SPOT	ADJUSTING METHOD
Adjustment Frequency	145.90MHz TX	MAIN	TC101	Adjust so that Tx Frequency becomes within 145.90MHz±100Hz
VCO Adjustment	136.00MHz RX	MAIN	L123	Adjust so that PD voltage becomes 1.5V
VCO Confirmation	173.99MHz RX	MAIN		Confirm if PD voltage becomes less than 7.3 V
Rx Signal Sensitivity Adjustment	146.05MHz 136.05MHz 146.05MHz 173.95MHz	MAIN	L105, L104 L103, L102	Repeatedly adjust so that the Rx sensitivity becomes in maximum. Confirm: At -7dBu SINAD more than 12dB At -8dBu SINAD more than 12dB At -6dBu SINAD more than 12dB
Squelch Adjustment	146.05MHz SSG OFF Indication 01	MAIN	VR101	Adjust so that the squelch stops at perfectly close location
S Meter Adjustment	146.05MHz SSG20dBu 1KHz 3.5KHz/DEV	MAIN	VR102	Adjust so that all the indicator appears

3) Tx Adjustment Specification

ITEM	CONDITION	UNIT	ADJ.SPOT	ADJUSTING METHOD
HI POWER Adjustment	146.00MHz HI POWER	MAIN	VR103	Adjust to 50.0±1.0W
MID POWER Adjustment	146.00MHz MID POWER	MAIN	VR104	Adjust to 10.0±1.0W
LOW POWER Confirmation	146.00MHz LOW POWER	MAIN		Confirm if it becomes 4.0 ±1.0W
Maximum Deviation Adjustment	146.00MHz MOD 1KHz40mVemf WIDE	MAIN	VR107	4.5±0.1KHz/DEV
Maximum Deviation Adjustment	146.00MHz MOD 1KHz40mVemf NARROW	MAIN	VR105	2.2±0.1KHz/DEV
Mic Gain Adjustment	146.00MHz MOD 1KHz4mVemf WIDE	MAIN	VR106	3.0±0.1KHz/DEV
CTCSS Modulation Level Confirmation	146.00MHz 88.5Hz	MAIN		800±200Hz/DEV 3KHz LPF ON
DCS Modulation Level Adjustment	146.00MHz 255 Code	MAIN	VR108	800±50Hz/DEV 3KHz LPF ON
1750Hz Modulation Level Confirmation	146.00MHz 1750Hz	MAIN		3.0±0.5KHz/DEV
DTMF Modulation Level Confirmation	146.00MHz DTMF ⊕ Press the V/M key during TX	MAIN		3.0±0.5KHz/DEV

4) Rx Test Specification

TEST ITEM	CONDITION	ADJ STANDARD	TEST STANDARD	NOTE
RX Sensitivity	136.05MHz	Less than -7dBu	Less than -6dBu	12dB SINAD
	146.05MHz	Less than -8dBu	Less than -7dBu	
	173.95MHz	Less than -6dBu	Less than -5dBu	
	146.05MHz NARROW	Less than -8dBu	Less than -7dBu	
	135.05MHz	Less than 9dBu	Less than 10dBu	AM 10dB S/N
RX Distortion	WIDE	Less than 4%	Less than 5%	SSG OUT PUT 30dBu
	NARROW			
RX S/N	WIDE	More than 40dB	More than 38dB	SSG OUT PUT 30dBu 0.3~3KHzBPF OFF
	NARROW	More than 34dB	More than 32dB	
Squelch Sensitivity	146.05MHz	Squelch Open	Squelch Open	SSG Output -10dBu
	Indication 02	Squelch Close	Squelch Close	SSG Output OFF
S Meter	146.05MHz 1KHz 3.5KHz/DEV	All appears at 20dBu	All appears at 25dBu	Decrease SSG level and decrease S Meter level
AF Output	146.05MHz	More than 2W	More than 2W	SSG Output 30dBu
CTCSS Sensitivity	WIDE	Open at 500Hz/DEV	Open at 500Hz/DEV	SSG Output 0dBu 88.5Hz
	NARROW	Open at 250Hz/DEV	Open at 250Hz/DEV	
DCS Sensitivity	WIDE	Opens when Test Equipment is in Tx	Opens when Test Equipment is in Tx	255 code
	NARROW	Opens when Test Equipment is in Tx	Opens when Test Equipment is in Tx	255 code
Drain Current	146.05MHz	Less than 0.65A	Less than 0.65A	MAX VR
Power Off Current	146.05MHz	Less than 10mA	Less than 10mA	Power Off
Howling	146.05MHz	Don't occur	Don't occur	SSG Output 60dBu MOD OFF MAX VR

5) Tx Test Specification

TEST ITEM	CONDITION	ADJ STANDARD	TEST STANDARD	NOTE
TX Output HI POWER	136.00MHz	More than 33W	More than 33W	←TA, TAG ONLY
	144.00MHz	50±1W	50±3W	
	146.00MHz	50±1W	50±3W	←T, TG ONLY ←TA, TAG ONLY
	148.00MHz	50±1W	50±3W	
	173.99MHz	More than 33W	More than 33W	
TX Output MID POWER	146.00MHz	10±1W	10 ±2W	
TX Output LOW POWER	146.00MHz	4±1W	3~6W	
Drain Current	146.00MHz	Less than 10A	Less than 11A	
Frequency Deviation	146.00MHz	Within ±0.3KHz	Within±0.5KHz	
Spurious	136.00MHz	More than 60dB	More than 55dB	M and L standard power is also the same as of H power level
	144.00MHz	More than 65dB	More than 60dB	
	146.00MHz	More than 65dB	More than 60dB	
	148.00MHz	More than 65dB	More than 60dB	
	173.99MHz	More than 60dB	More than 55dB	
			TA, TAG ONLY	
Modulation Level	WIDE 146.00MHz	3.0±0.1KHz/DEV 4.5±0.1KHz/DEV	3.0±0.2KHz/DEV 4.5±0.2KHz/DEV	MIC IN 4mVemf MIC IN 40mVemf
	NARROW 146.00MHz	2.2±0.1KHz/DEV	2.2±0.2KHz/DEV	MIC IN 40mVemf
CTCSS Modulation Level	WIDE 146.00MHz	800±200Hz/DEV	800±200Hz/DEV	88.5Hz 3KHz LPF ON
DCS Modulation Level	WIDE 146.00MHz	800±200Hz/DEV	800±200Hz/DEV	Code 255 3KHz LPF ON
	NARROW 146.00MHz	450±100Hz/DEV	450±100Hz/DEV	Code 255 3KHz LPF ON
1750Hz Modulation Level	WIDE 146.00MHz	3.0±0.5KHz/DEV	3.0±0.5KHz/DEV	
DTMF Modulation Level	WIDE 146.00MHz	3.0±0.5KHz/DEV	3.0±0.5KHz/DEV	Press the V/M key during TX
Modulation Distortion	146.00MHz	Less than 3%	Less than 4%	
TX S/N	WIDE	More than 40dB	More than 38dB	0.3 ~ 3KHz BPF ON
	NARROW	More than 34dB	More than 32dB	

DR-235 ADJUSTMENT

1) Adjustment Spot

Power Supply Voltage 13.8 V

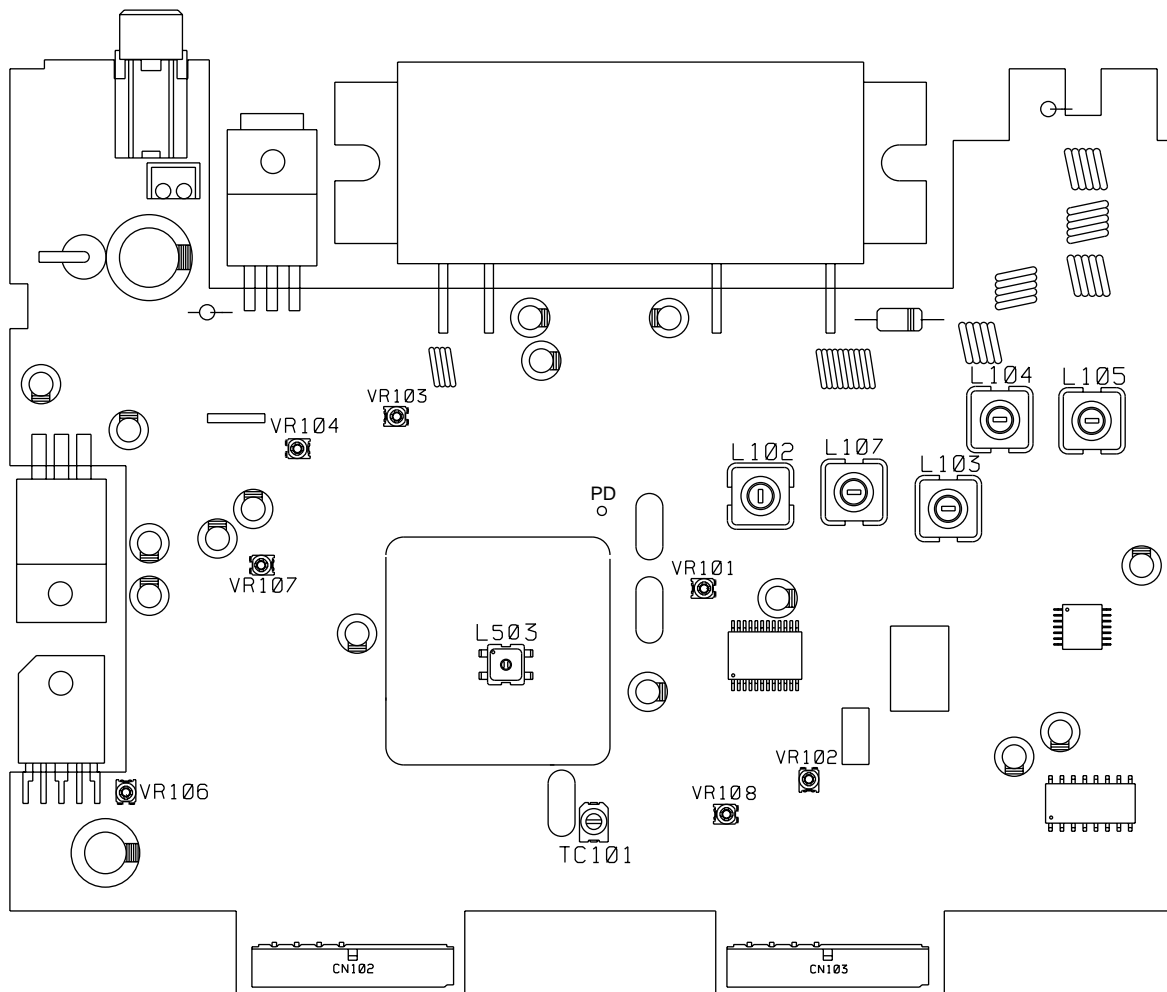
Output of SSG is all EMF indication

If without instruction, WIDE mode

If without instruction, SSG output is MOD 1KHz WIDE DEV 3.5KHz/DEV, NARROW DEV 1.75KHz/DEV

Standard Modulation is also based above.

Speaker load is 8Ω and Output is 50~100 mV.



Attention: Don't set the variable resistor into its open position.

2) VCO and RX Adjustment Specification

ITEM	CONDITION	UNIT	ADJ.SPOT	ADJUSTING METHOD
Adjustment Frequency	224.90MHz TX	MAIN	TC101	Adjust so that Tx Frequency becomes within 224.90MHz±100Hz
VCO Adjustment	225.00MHz RX	VCO	L503	Adjust so that PD voltage becomes 2.2V
VCO Confirmation	224.99MHz TX	VCO		Confirm if PD voltage becomes less than 6.2 V
Rx Signal Sensitivity Adjustment	223.50MHz 216.05MHz 223.50MHz 250.05MHz	MAIN	L105, L104 L103, L107 L102	Repeatedly adjust so that the Rx sensitivity becomes in maximum. Confirm: At -7dBu SINAD more than 12dB At -8dBu SINAD more than 12dB At -3dBu SINAD more than 12dB
Squelch Adjustment	223.50MHz SSG OFF Indication 01	MAIN	VR101	Adjust so that the squelch stops at perfectly close location
S Meter Adjustment	223.50MHz SSG20dBu 1KHz 3.5KHz/DEV	MAIN	VR102	Adjust so that all the indicator appears

3) Tx Adjustment Specification

ITEM	CONDITION	UNIT	ADJ.SPOT	ADJUSTING METHOD
HI POWER Adjustment	223.50MHz HI POWER	MAIN	VR103	Adjust to 25.0±1.0W
MID POWER Adjustment	223.50MHz MID POWER	MAIN	VR104	Adjust to 10.0±1.0W
LOW POWER Confirmation	223.50MHz LOW POWER	MAIN		Confirm if it becomes 4.5±1.0W
Maximum Deviation Adjustment	223.50MHz MOD 1KHz40mVemf WIDE	MAIN	VR107	4.5±0.1KHz/DEV
Maximum Deviation Adjustment	223.50MHz MOD 1KHz40mVemf NARROW	MAIN	VR105	2.2±0.1KHz/DEV
Mic Gain Adjustment	223.50MHz MOD 1KHz4mVemf WIDE	MAIN	VR106	3.0±0.1KHz/DEV
CTCSS Modulation Level Confirmation	223.50MHz 88.5Hz	MAIN		800±300Hz/DEV 3KHz LPF ON
DCS Modulation Level Adjustment	223.50MHz 255 Code	MAIN	VR108	800±100Hz/DEV 3KHz LPF ON
1750Hz Modulation Level Confirmation	223.50MHz 1750Hz	MAIN		3.0±0.5KHz/DEV
DTMF Modulation Level Confirmation	223.50MHz DTMF ⊕ Press the V/M key during TX	MAIN		3.0±0.5KHz/DEV

4) Rx Test Specification

TEST ITEM	CONDITION	ADJ STANDARD	TEST STANDARD	NOTE
RX Sensitivity	216.05MHz	Less than -7dBu	Less than -6dBu	12dB SINAD
	223.50MHz	Less than -8dBu	Less than -7dBu	
	250.05MHz	Less than -3dBu	Less than -2dBu	
	223.50MHz NARROW	Less than -8dBu	Less than -7dBu	
	223.50MHz	Less than +6dBu	Less than +7dBu	AM 10dB S/N
RX Distortion	WIDE	Less than 4%	Less than 5%	SSG OUT PUT 30dBu
	NARROW			
RX S/N	WIDE	More than 40dB	More than 38dB	SSG OUT PUT 30dBu 0.3~3KHzBPF OFF
	NARROW	More than 34dB	More than 32dB	
Squelch Sensitivity	223.50MHz	Squelch Open	Squelch Open	SSG Output -10dBu
	Indication 02	Squelch Close	Squelch Close	SSG Output OFF
S Meter	223.50MHz 1KHz 3.5KHz/DEV	All appears at 20dBu	All appears at 25dBu	Decrease SSG level and decrease S Meter level
AF Output	223.50MHz	More than 2W	More than 2W	SSG Output 30dBu
CTCSS Sensitivity	WIDE	Open at 500Hz/DEV	Open at 500Hz/DEV	SSG Output 0dBu 88.5Hz
	NARROW	Open at 250Hz/DEV	Open at 250Hz/DEV	
DCS Sensitivity	WIDE	Opens when Test Equipment is in Tx	Opens when Test Equipment is in Tx	255 code
	NARROW	Opens when Test Equipment is in Tx	Opens when Test Equipment is in Tx	255 code
Drain Current	223.50MHz	Less than 0.65A	Less than 0.65A	MAX VR
Power Off Current	223.50MHz	Less than 10mA	Less than 10mA	Power Off
Howling	223.50MHz	Don't occur	Don't occur	SSG Output 60dBu MOD OFF MAX VR

5) Tx Test Specification

TEST ITEM	CONDITION	ADJ STANDARD	TEST STANDARD	NOTE
TX Output HI POWER	222.00MHz	25±1W	25±3W	
	223.50MHz	25±1W	25±3W	
	224.99MHz	25±1W	25±3W	
TX Output MID POWER	223.50MHz	10±1W	10±2W	
TX Output LOW POWER	223.50MHz	4.5±1W	3~6W	
Drain Current	223.50MHz	Less than 7A	Less than 8A	
Frequency Deviation	223.50MHz	Within±0.5KHz	Within±0.7KHz	
Spurious	222.00MHz	More than 65dB	More than 60dB	M and L standard power is also the same as of H power level
	223.50MHz	More than 65dB	More than 60dB	
	224.99MHz	More than 65dB	More than 60dB	
Modulation Level	WIDE 223.50MHz	3.0±0.1KHz/DEV 4.5±0.1KHz/DEV	3.0±0.2KHz/DEV 4.5±0.2KHz/DEV	MIC IN 4mVemf MIC IN 40mVemf
	NARROW 223.50MHz	2.2±0.1KHz/DEV	2.2±0.2KHz/DEV	MIC IN 40mVemf
CTCSS Modulation Level	WIDE 223.50MHz	800±200Hz/DEV	800±200Hz/DEV	88.5Hz 3KHz LPF ON
DCS Modulation Level	WIDE 223.50MHz	800±100Hz/DEV	800±200Hz/DEV	Code 255 3KHz LPF ON
	NARROW 146.00MHz	500±100Hz/DEV	450±100Hz/DEV	Code 255 3KHz LPF ON
1750Hz Modulation Level	WIDE 146.00MHz	3.0±0.5KHz/DEV	3.0±0.5KHz/DEV	
DTMF Modulation Level	WIDE 146.00MHz	3.0±0.5KHz/DEV	3.0±0.5KHz/DEV	Press the V/M key during TX
Modulation Distortion	146.00MHz	Less than 3%	Less than 4%	
TX S/N	WIDE	More than 40dB	More than 38dB	0.3~3KHz BPF ON
	NARROW	More than 34dB	More than 32dB	

DR-435 ADJUSTMENT

Downloaded by
RadioAmateur.EU

1) Adjustment Spot

Power Supply Voltage 13.8 V

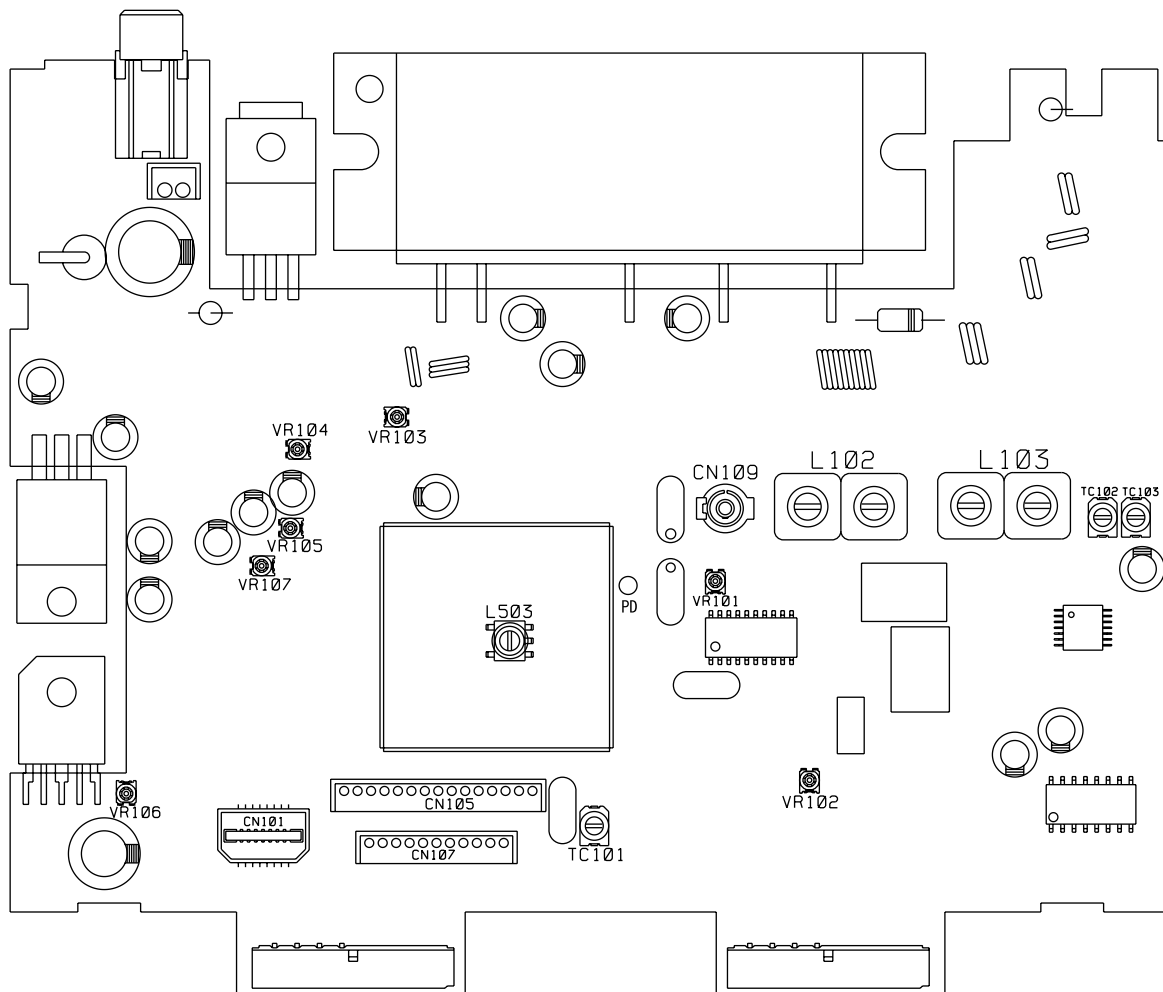
Output of SSG is all EMF indication

If without instruction, WIDE mode

If without instruction, SSG output is MOD 1KHz WIDE DEV 3.5KHz/DEV, NARROW DEV 1.75KHz/DEV

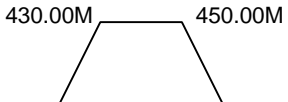
Standard Modulation is also based above.

Speaker load is 8Ω and Output is 50~100 mV.



Attention: Don't set the variable resistor into its open position.

2) VCO and RX Adjustment Specification

ITEM	CONDITION	UNIT	ADJ.SPOT	ADJUSTING METHOD
Adjustment Frequency	439.00MHz TX	MAIN	TC101	Adjust so that Tx Frequency becomes within 439.00MHz±100Hz
VCO Adjustment	425.00MHz RX	VCO	L503	Adjust so that PD voltage becomes 1.7V
VCO Confirmation	511.95MHz RX	VCO		Confirm if PD voltage becomes less than 9.0 V
Rx Signal Sensitivity Adjustment	440.05MHz 430.05MHz 440.05MHz 450.05MHz	MAIN	TC103 TC102 L103, L102	It is a tracking generator from an antenna connector. -30dBm is inputted. And when CN109 is seen with a spectrum analyzer, by the maximum gain, it becomes as it is shown in the following figure, and appearance adjustment is carried out.  At -7.5dBu SINAD more than 12dB At -7.5dBu SINAD more than 12dB At -7.5dBu SINAD more than 12dB
Squelch Adjustment	440.05MHz SSG OFF Indication 01	MAIN	VR101	Adjust so that the squelch stops at perfectly close location
S Meter Adjustment	440.05MHz SSG20dBu 1KHz 3.5KHz/DEV	MAIN	VR102	Adjust so that all the indicator appears

3) Tx Adjustment Specification

ITEM	CONDITION	UNIT	ADJ.SPOT	ADJUSTING METHOD
HI POWER Adjustment	440.00MHz HI POWER	MAIN	VR103	Adjust to 35.0±1.0W
MID POWER Adjustment	440.00MHz MID POWER	MAIN	VR104	Adjust to 10.0±1.0W
LOW POWER Confirmation	440.00MHz LOW POWER	MAIN		Confirm if it becomes 5.0±1.0W
Maximum Deviation Adjustment	440.00MHz MOD 1KHz40mVemf WIDE	MAIN	VR107	4.5±0.1KHz/DEV
Maximum Deviation Adjustment	440.00MHz MOD 1KHz40mVemf NARROW	MAIN	VR105	2.2±0.1KHz/DEV
Mic Gain Adjustment	440.00MHz MOD 1KHz4mVemf WIDE	MAIN	VR106	3.0±0.1KHz/DEV
CTCSS Modulation Level Confirmation	440.00MHz 88.5Hz	MAIN		800±200Hz/DEV 3KHz LPF ON
DCS Modulation Level Confirmation	440.00MHz 255 Code	MAIN		800±200Hz/DEV 3KHz LPF ON
1750Hz Modulation Level Confirmation	440.00MHz 1750Hz	MAIN		3.0±0.5KHz/DEV
DTMF Modulation Level Confirmation	440.00MHz DTMF ⊕ Press the V/M key during TX	MAIN		3.0±0.5KHz/DEV

4) Rx Test Specification

TEST ITEM	CONDITION	ADJ STANDARD	TEST STANDARD	NOTE
RX Sensitivity	350.05MHz	Less than -1dBu	Less than 0dBu	12dBSINAD
	430.05MHz	Less than -7.5dBu	Less than -6.5dBu	
	440.05MHz	Less than -7.5dBu	Less than -6.5dBu	
	450.05MHz	Less than -7.5dBu	Less than -6.5dBu	
	511.95MHz	Less than +1dBu	Less than +2dBu	
	440.05MHz NARROW	Less than -7.5dBu	Less than -6.5dBu	
RX Distortion	WIDE	Less than 4%	Less than 5%	SSG Output 40dBu
	NARROW			
RX S/N	WIDE	More than 40dB	More than 38dB	SSG Output 40dBu 0.3~3KHzBPF OFF
	NARROW	More than 34dB	More than 32dB	
Squelch Sensitivity	440.05MHz	Squelch Open	Squelch Open	SSG Output -10dBu
	Indication 02	Squelch Close	Squelch Close	SSG Output OFF
S Meter	440.05MHz 1KHz 3.5KHz/DEV	All appears at 20dBu	All appears at 25dBu	Decrease SSG level and decrease S Meter level
AF Output	440.05MHz	More than 2W	More than 2W	SSG Output 40dBu
CTCSS Sensitivity	WIDE	Open at 500Hz/DEV	Open at 500Hz/DEV	SSG Output 0dBu 88.5Hz
	NARROW	Open at 250Hz/DEV	Open at 250Hz/DEV	
DCS Sensitivity	WIDE	Opens when Test Equipment is in Tx	Opens when Test Equipment is in Tx	255 code
	NARROW	Opens when Test Equipment is in Tx	Opens when Test Equipment is in Tx	255 code
Drain Current	440.05MHz	Less than 0.7A	Less than 0.7A	MAX VR
Power Off Current	440.05MHz	Less than 10mA	Less than 10mA	Power Off
Howling	440.05MHz TP,TPG WIDE MODE OTHER NARROW MODE	Don't occur	Don't occur	SSG Output 60dBu MOD OFF MAX VR

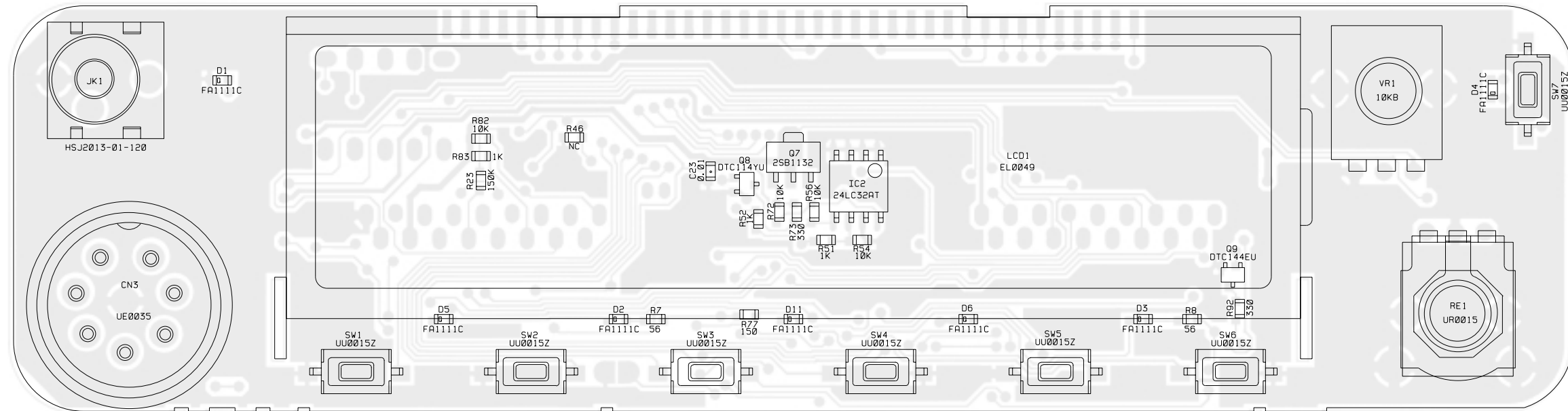
5) Tx Test Specification

TEST ITEM	CONDITION	ADJ STANDARD	TEST STANDARD	NOTE
TX Output HI POWER	430.00MHz	35±1W	35±3W	← T,TG ONLY
	440.00MHz		35±3W	
	450.00MHz		35±3W	
TX Output MID POWER	440.00MHz	10±1W	10±2W	
TX Output LOW POWER	440.00MHz	5±1W	5±2W	
Drain Current	440.00MHz	Less than 9A	Less than 10A	
Frequency Deviation	440.00MHz	Within ±0.5KHz	Within ±1.0KHz	
Spurious	430.00MHz 440.00MHz 450.00MHz	More than 62dB More than 62dB More than 62dB	More than 60dB More than 60dB More than 60dB 450MHz T,TG ONLY	M and L standard power is also the same as of H power level
Modulation Level	WIDE 440.00MHz	3.0±0.1KHz/DEV 4.5±0.1KHz/DEV	3.0±0.2KHz/DEV 4.5±0.2KHz/DEV	MIC IN 4mVemf MIC IN 40mVemf
	NARROW 440.00MHz	2.2±0.1KHz/DEV	2.2±0.2KHz/DEV	MIC IN 40mVemf
CTCSS Modulation Level	WIDE 440.00MHz	800±200Hz/DEV	800±200Hz/DEV	88.5Hz 3KHz LPF ON
DCS Modulation Level	WIDE 440.00MHz	800±200Hz/DEV	800±200Hz/DEV	Code 255 3KHz LPF ON
	NARROW 440.00MHz	450±100Hz/DEV	450±100Hz/DEV	Code 255 3KHz LPF ON
1750Hz Modulation Level	WIDE 440.00MHz	3.0±0.5 KHz/DEV	3.0±0.5 KHz/DEV	
DTMF Modulation Level	WIDE 440.00MHz	3.0±0.5 KHz/DEV	3.0±0.5 KHz/DEV	Press the V/M key during TX
Modulation Distortion	440.00MHz	Less than 3%	Less than 4%	
TX S/N	WIDE	More than 40dB	More than 38dB	0.3~3KHz BPF ON
	NARROW	More than 34dB	More than 32dB	

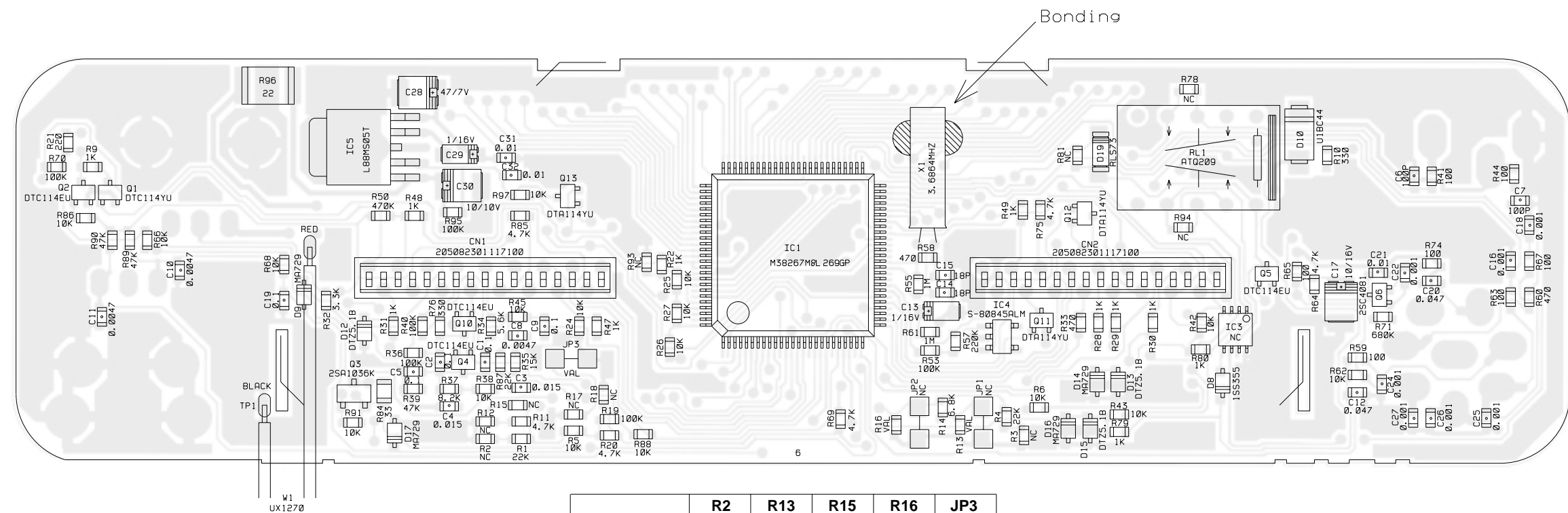
PC BOARD VIEW

1) CPU Unit Side A DR-135 (UP 0400B) DR-235 (UP 0414) DR-435 (UP 0415)

Downloaded by  RadioAmateur.EU

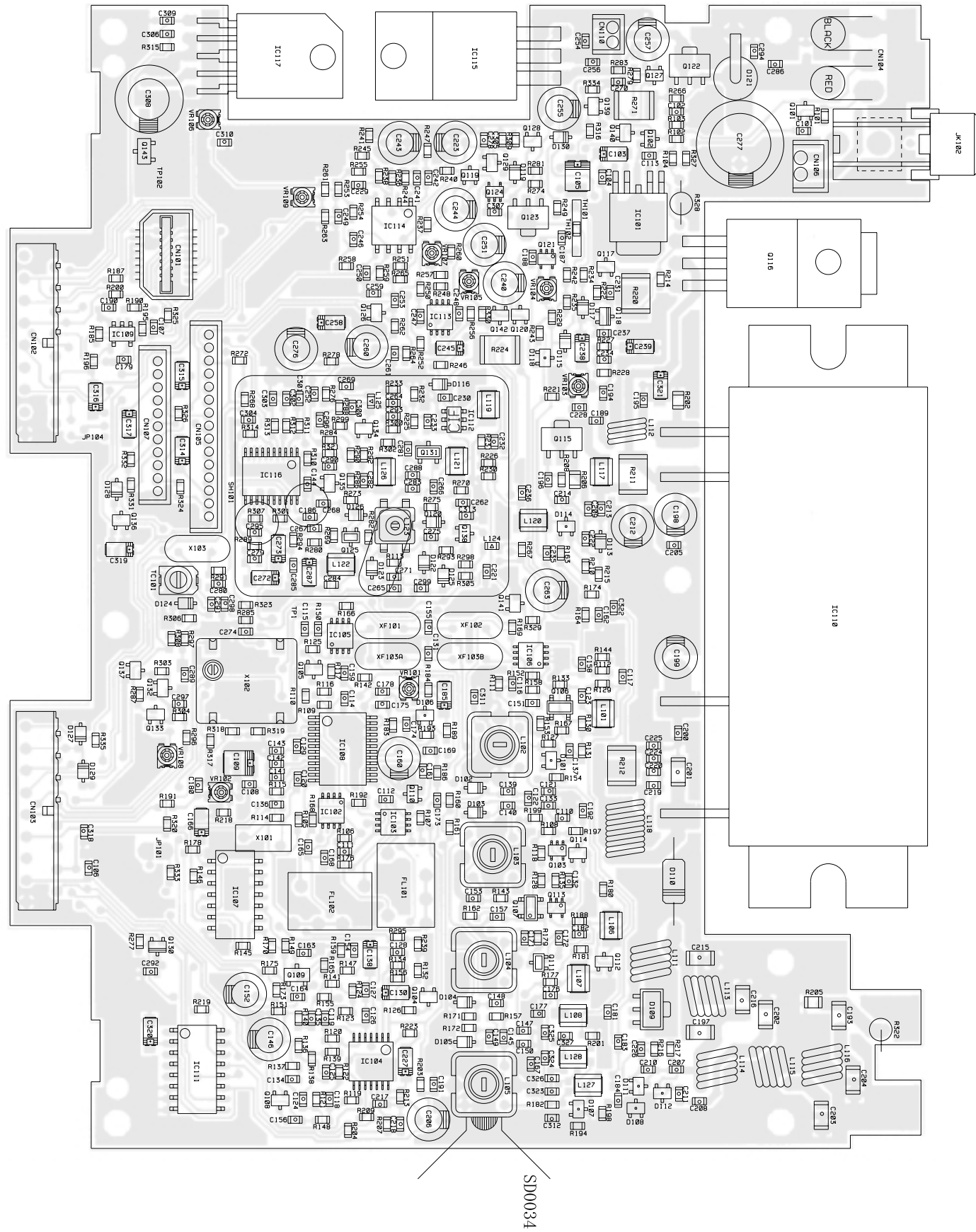


2) CPU Unit Side B DR-135 (UP 0400B) DR-235 (UP 0414) DR-435 (UP 0415)

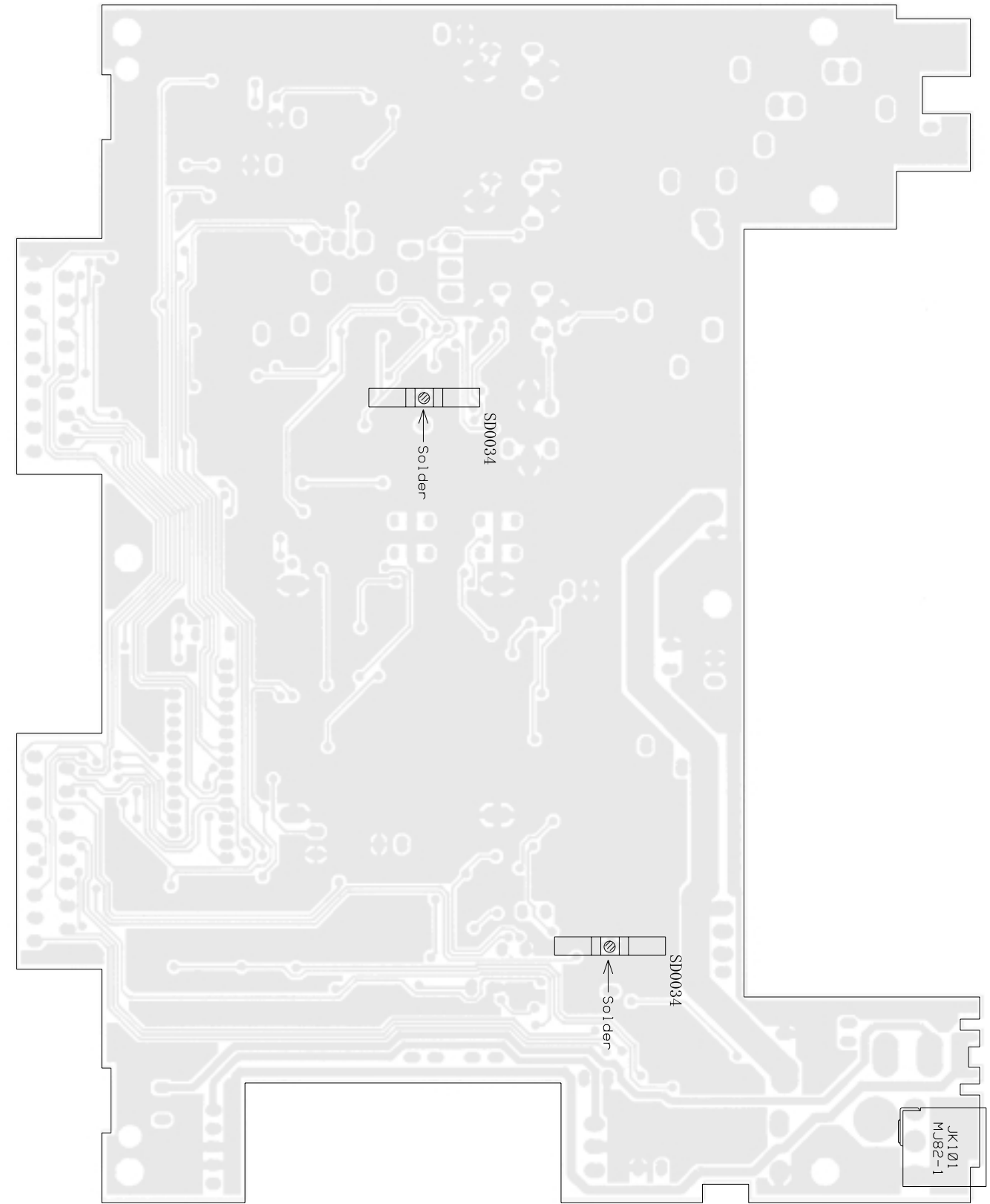


	R2	R13	R15	R16	JP3
DR135 T,TG	NC	NC	NC	0	JUMPER
DR135 E,EG	NC	0	NC	NC	JUMPER
DR135 TA,TAG	NC	NC	NC	0	NC
DR235 T,TG	0	NC	NC	0	JUMPER
DR435 T,TG	NC	NC	0	0	JUMPER
DR435 E,EG	NC	0	0	NC	JUMPER

3) MAIN Unit Side A DR-135 (UP 0400B)

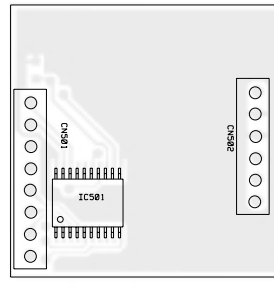
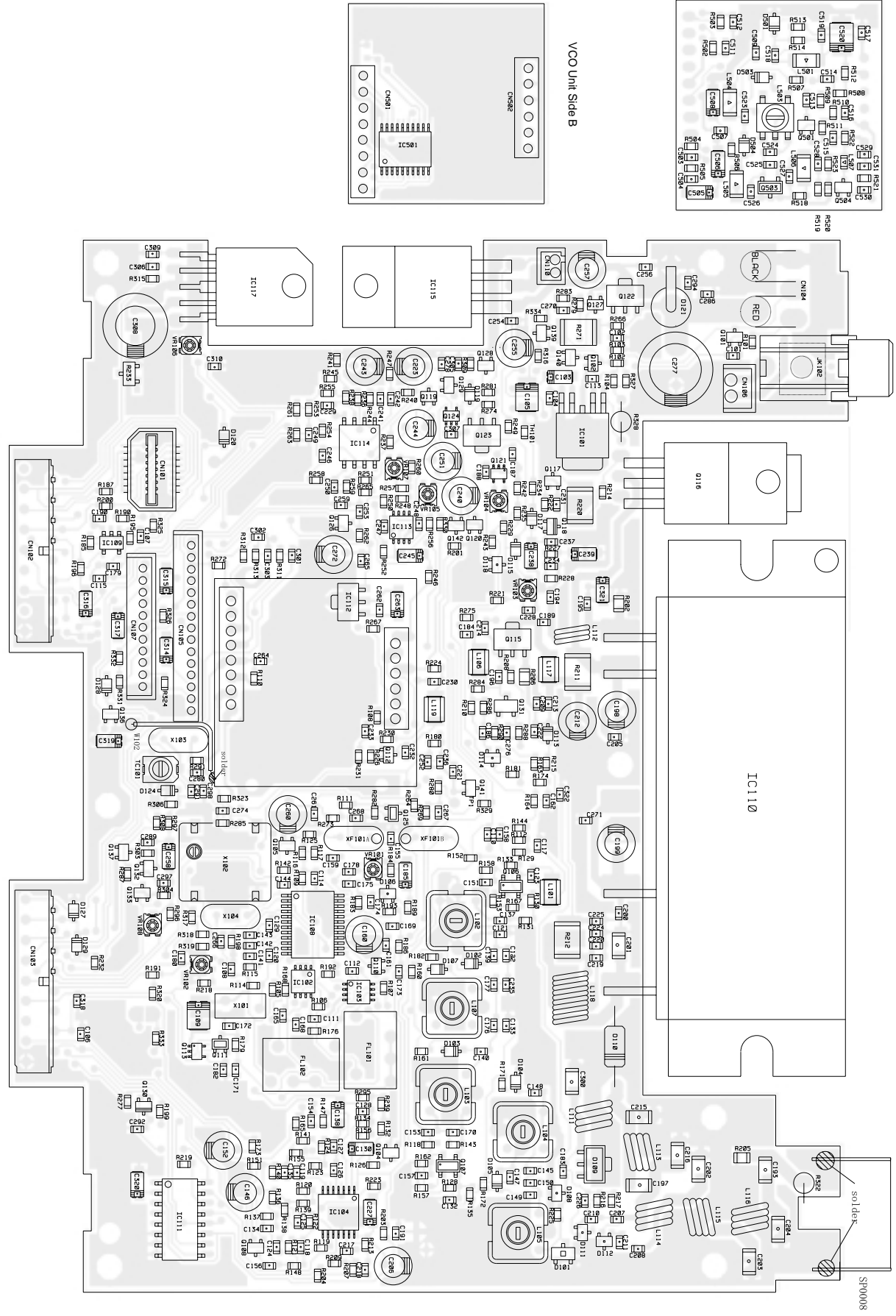


4) MAIN Unit Side B DR-135 (UP 0400B)

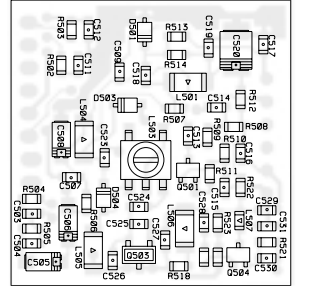


5) MAIN Unit Side A DR-235 (UP 0414)

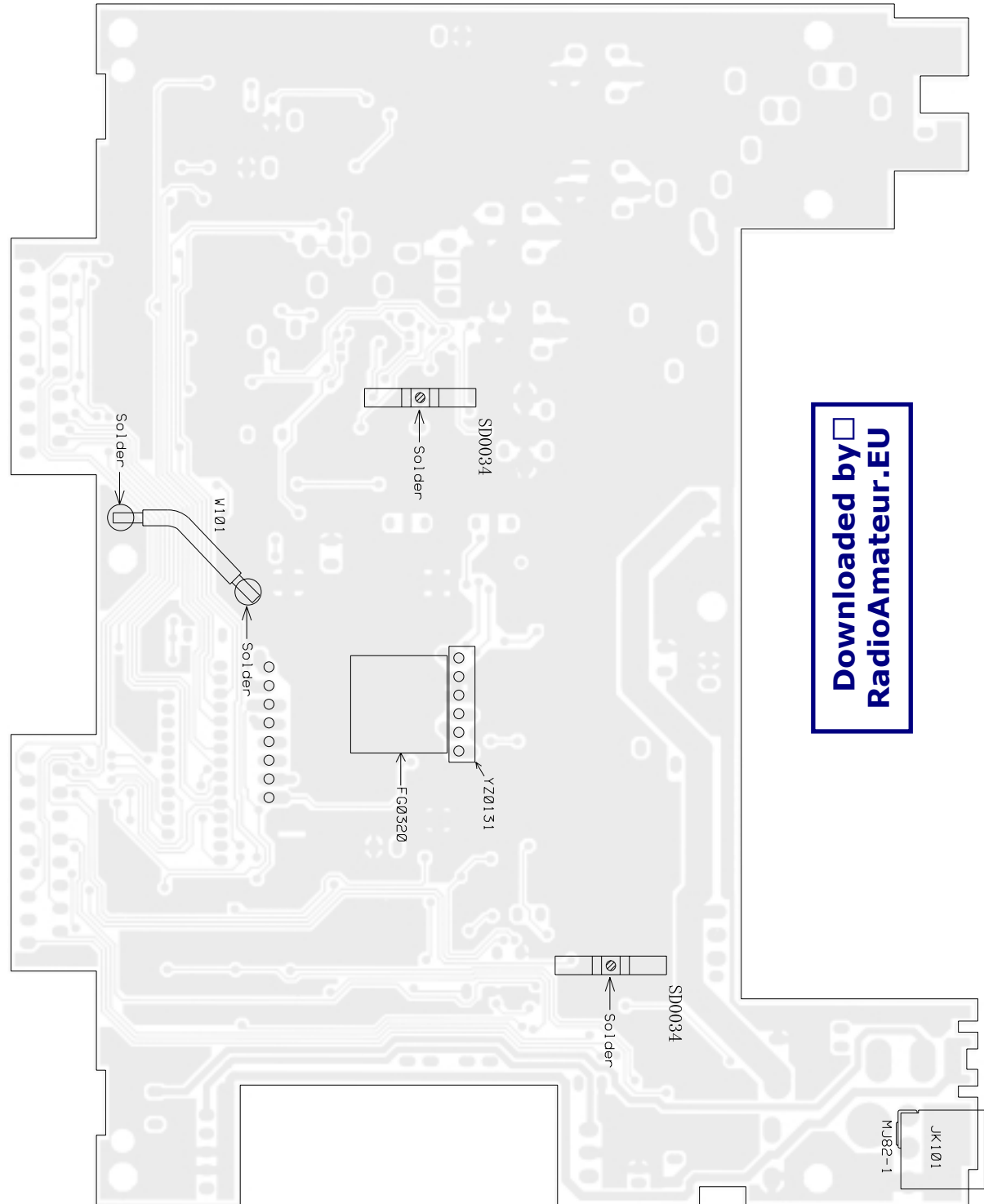
6) MAIN Unit Side B DR-235 (UP 0414)



VCO Unit Side B

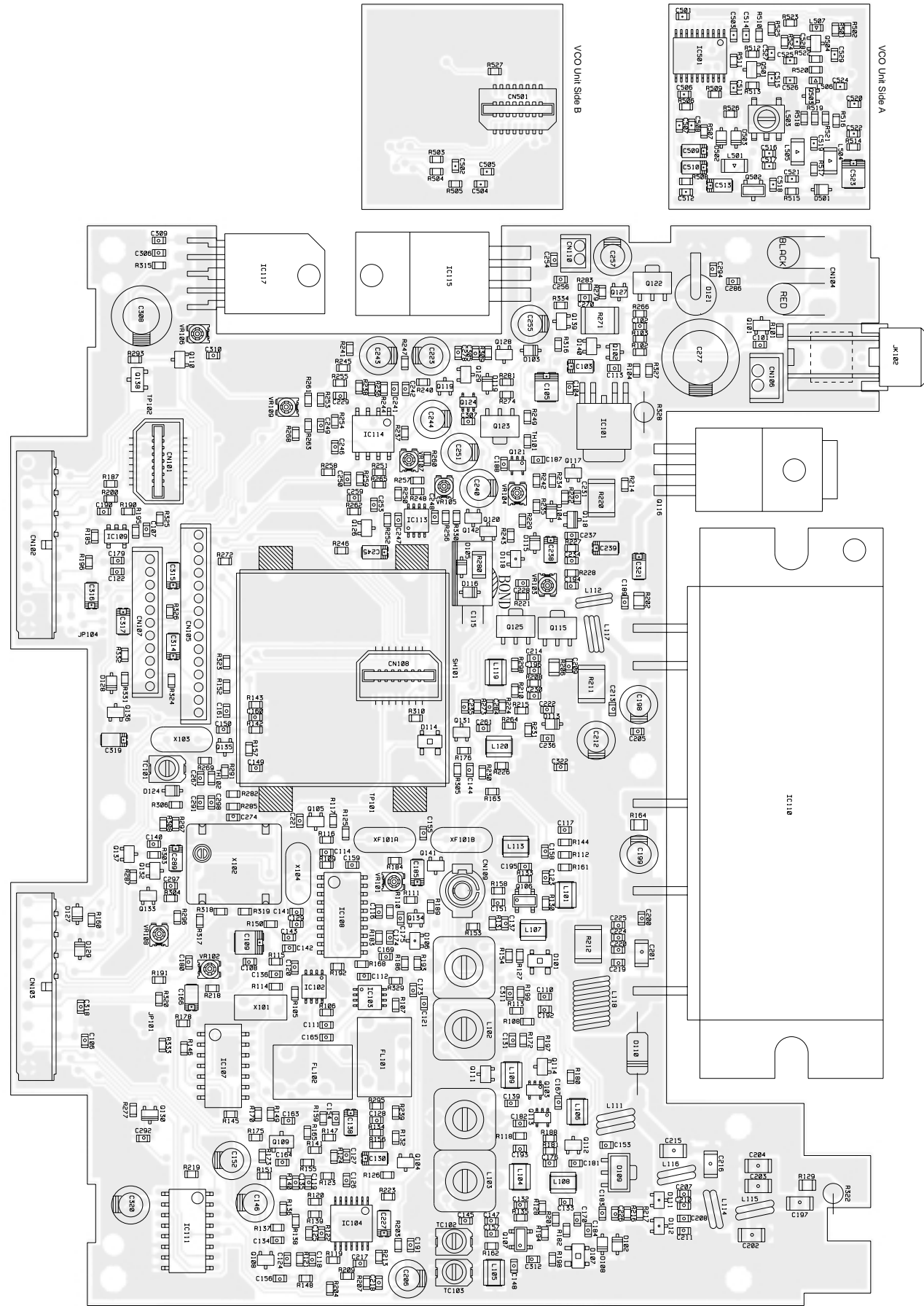


VCO Unit Side A

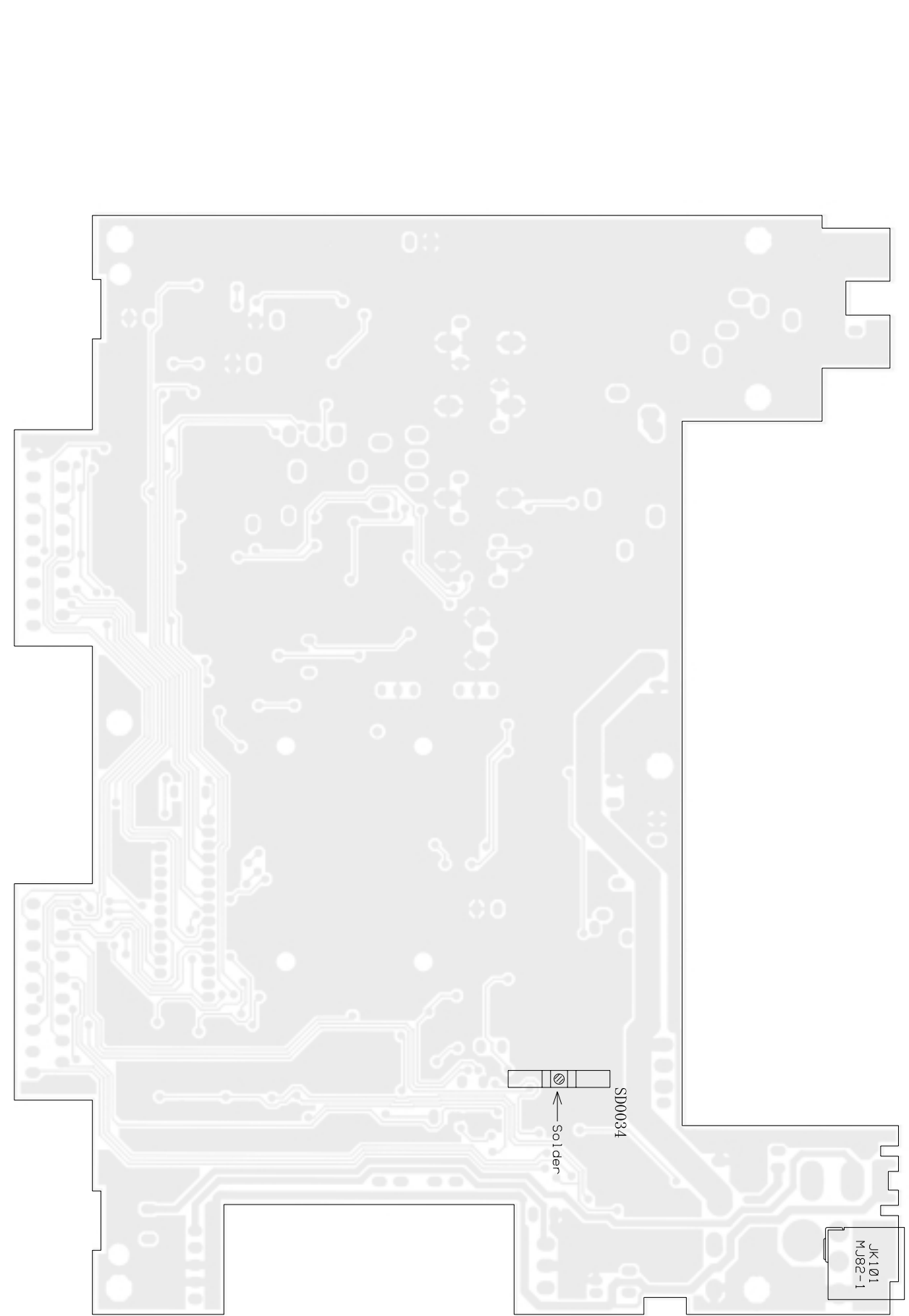


Downloaded by
RadioAmateur.EU

7) MAIN Unit Side A DR-435 (UP 0415)

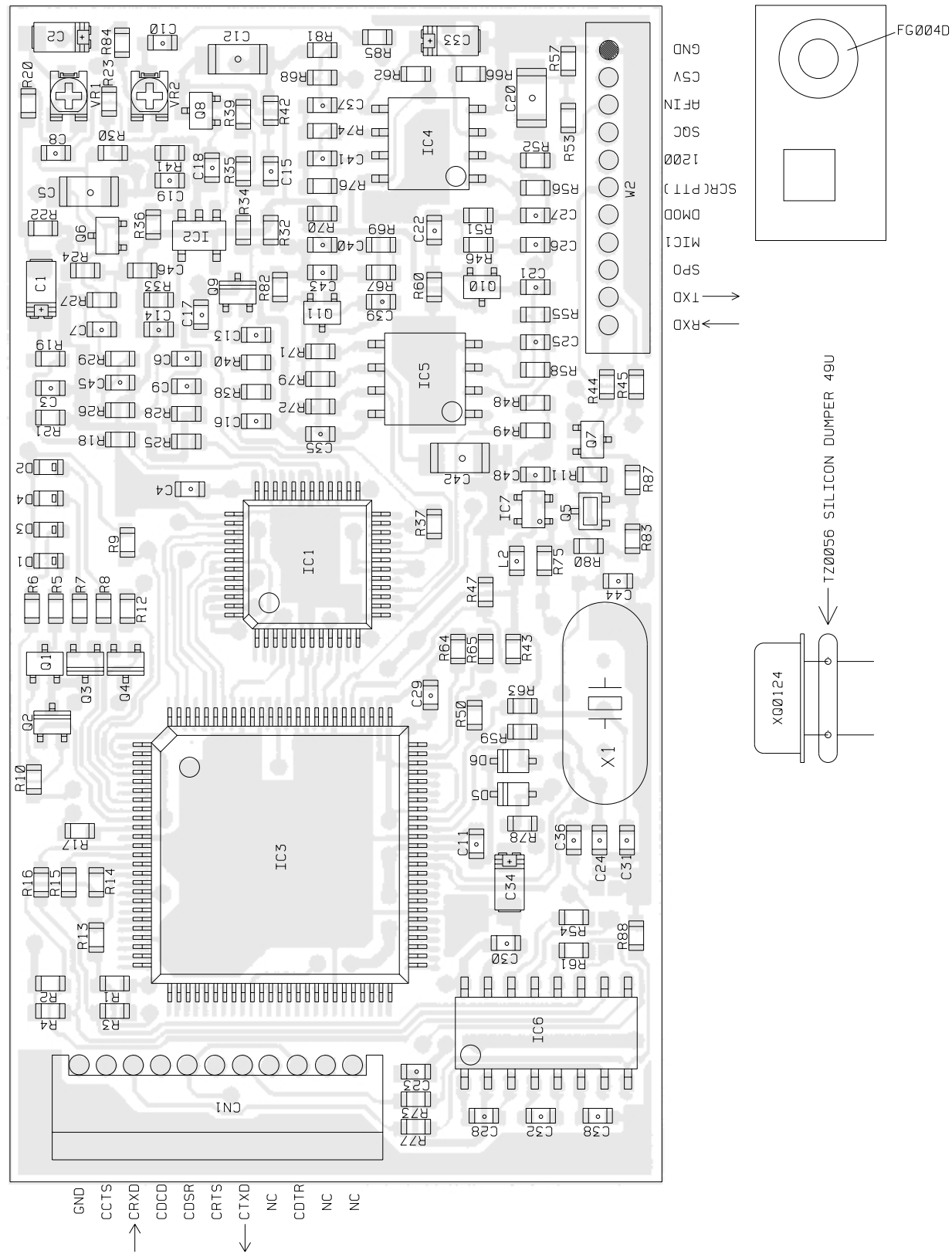


8) MAIN Unit Side B DR-435 (UP 0415)

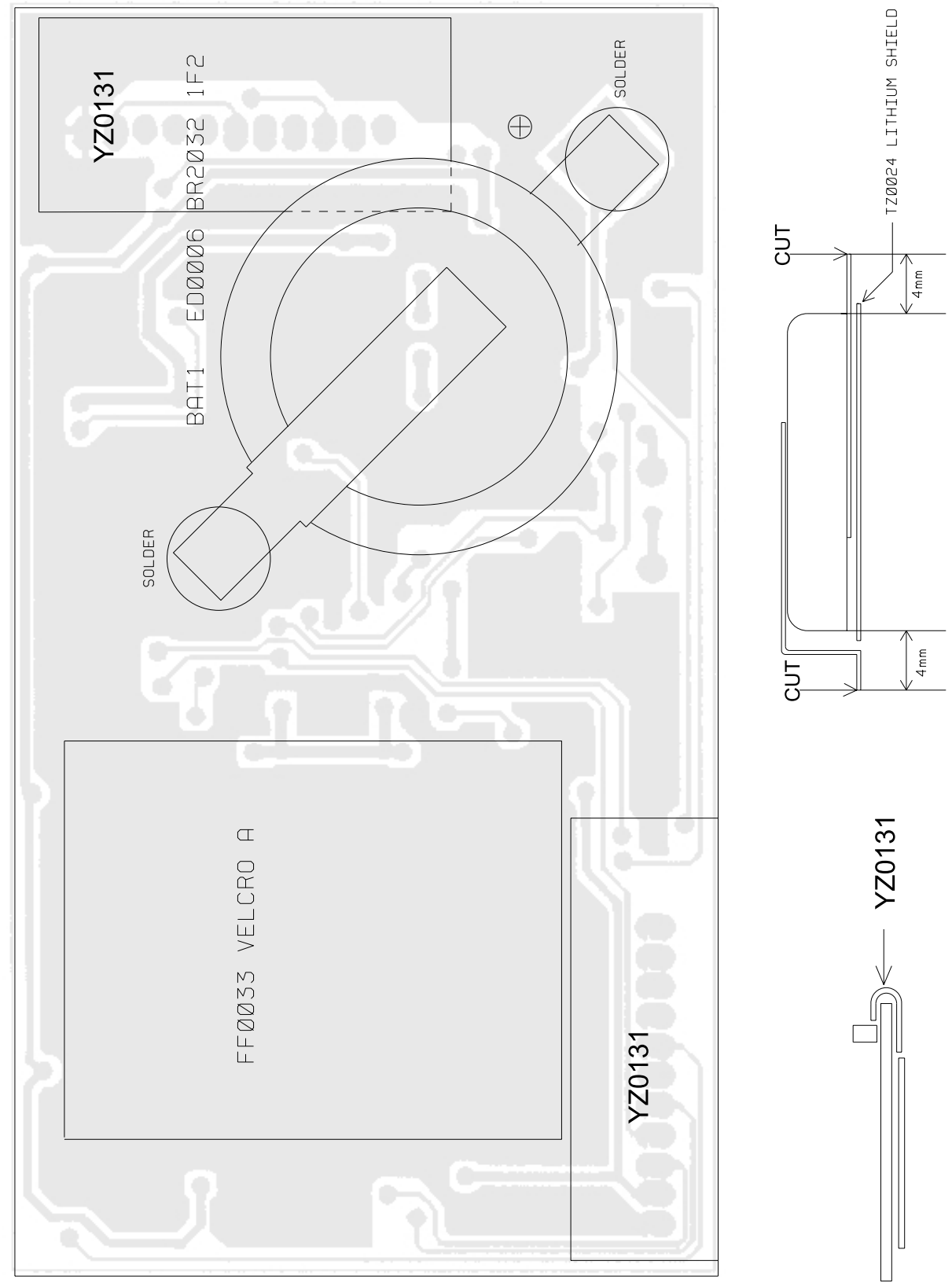


9) TNC Unit Side A (UP 0402) (DR-135TP only)

OPTION unit (EJ41U)

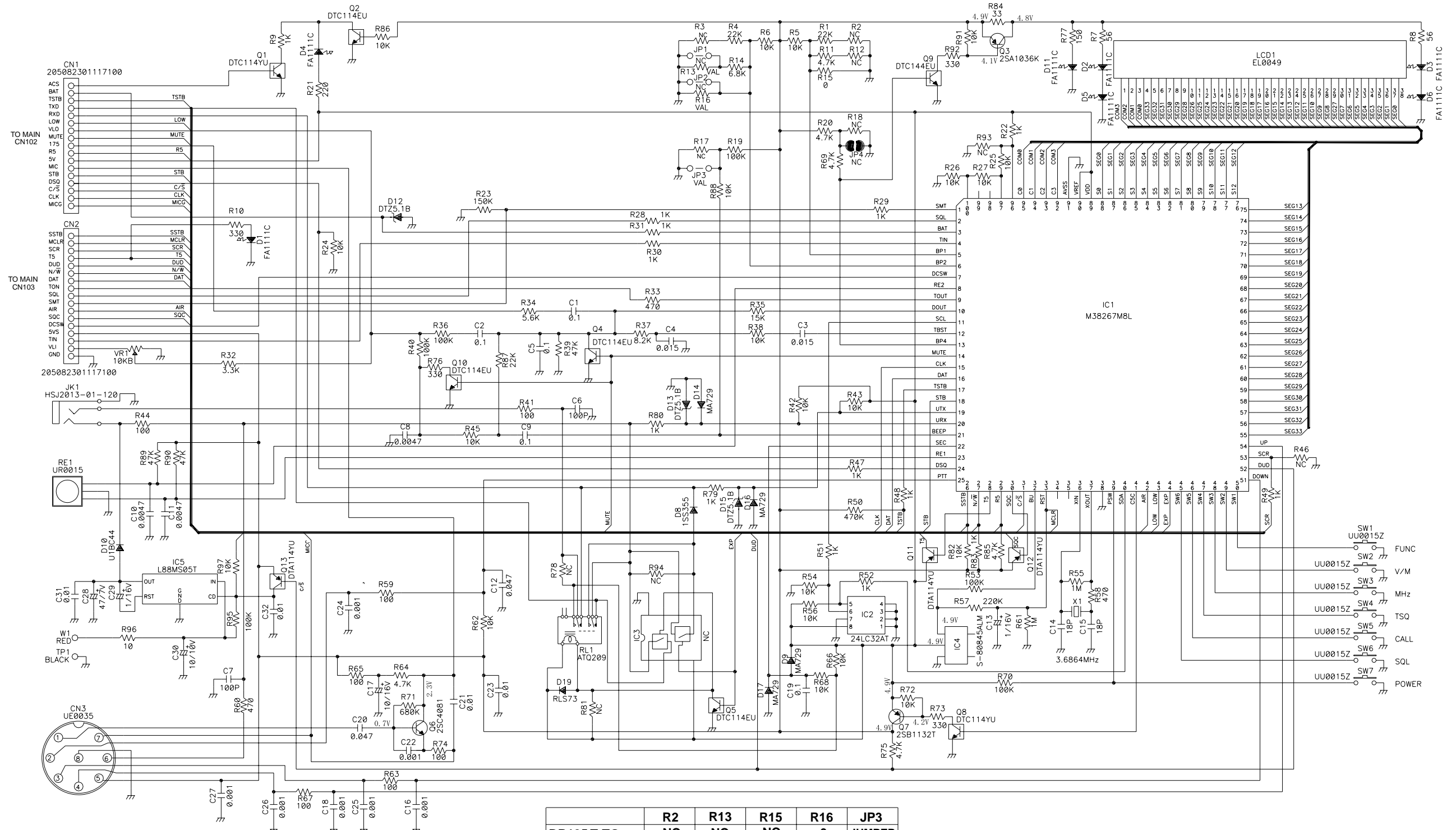


10) TNC Unit Side B (UP 0402) (DR-135TP only)



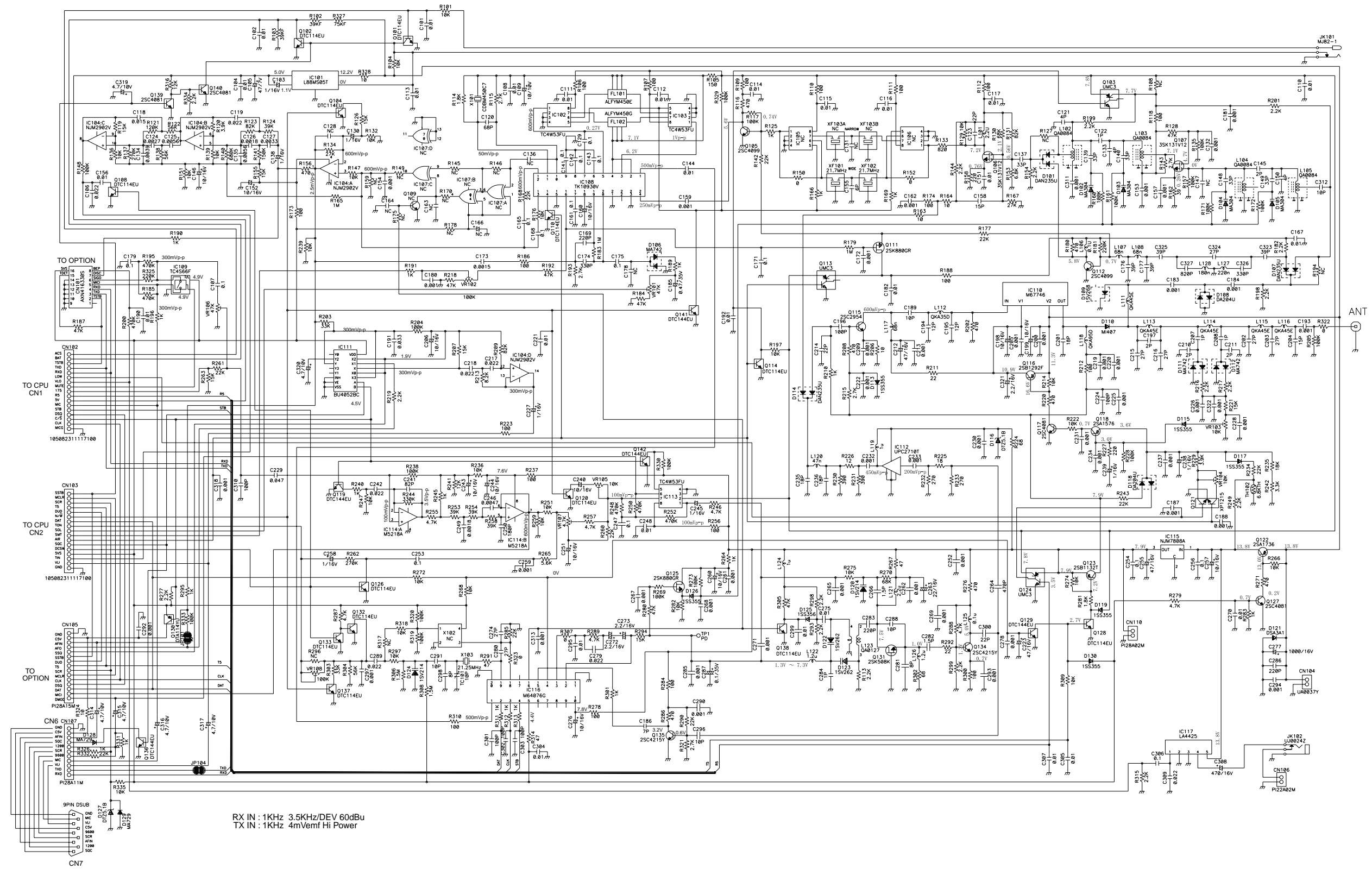
SCHMATIC DIAGRAM

1) CPU Unit DR-135 / DR-235 / DR-435

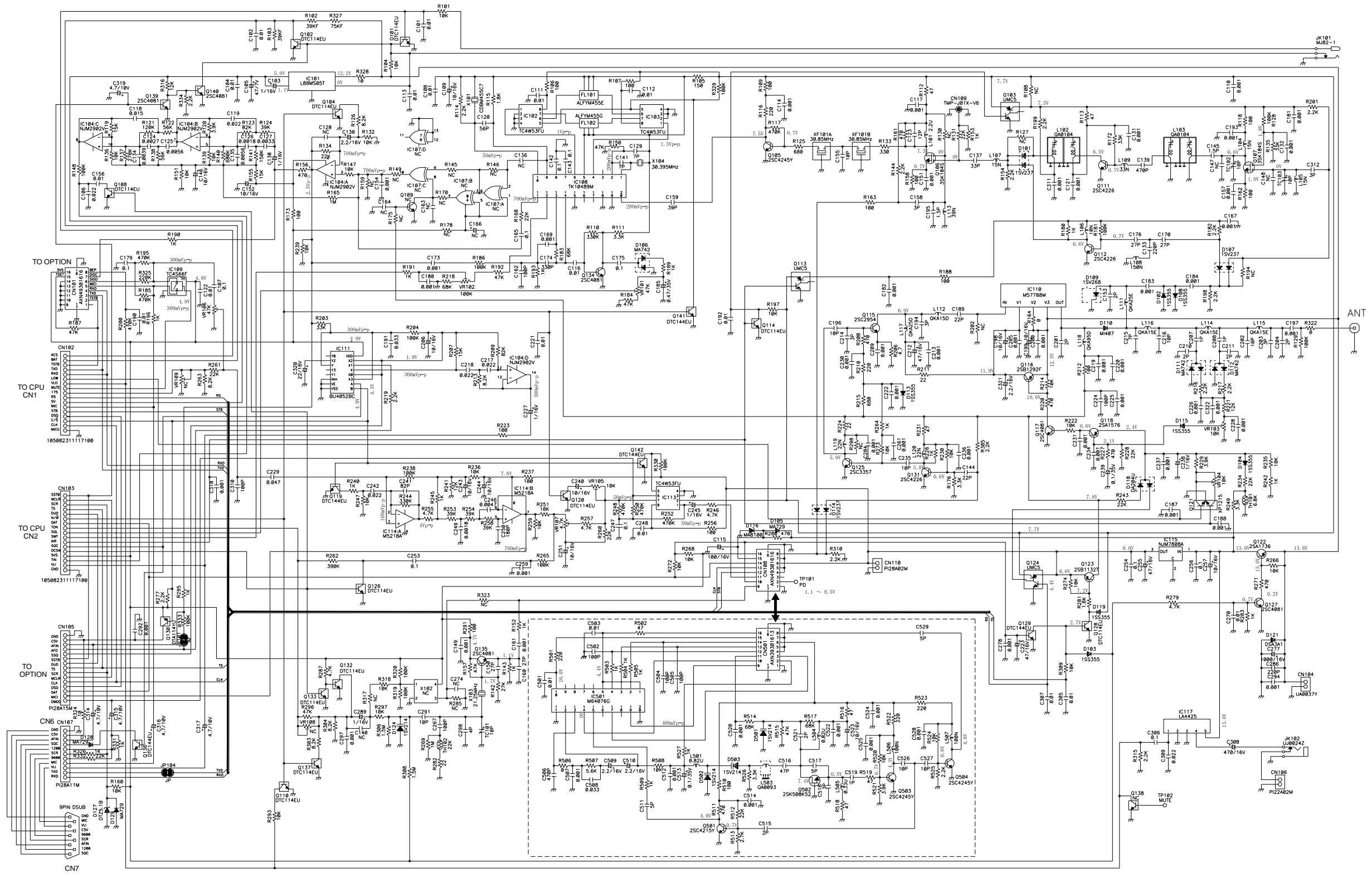


	R2	R13	R15	R16	JP3
DR135 T, TG	NC	NC	NC	0	JUMPER
DR135 E, EG	NC	0	NC	NC	JUMPER
DR135 TA, TAG	NC	NC	NC	0	NC
DR235 T, TG	0	NC	NC	0	JUMPER
DR435 T, TG	NC	NC	0	0	JUMPER
DR435 E, EG	NC	0	0	NC	JUMPER

2) MAIN Unit DR-135

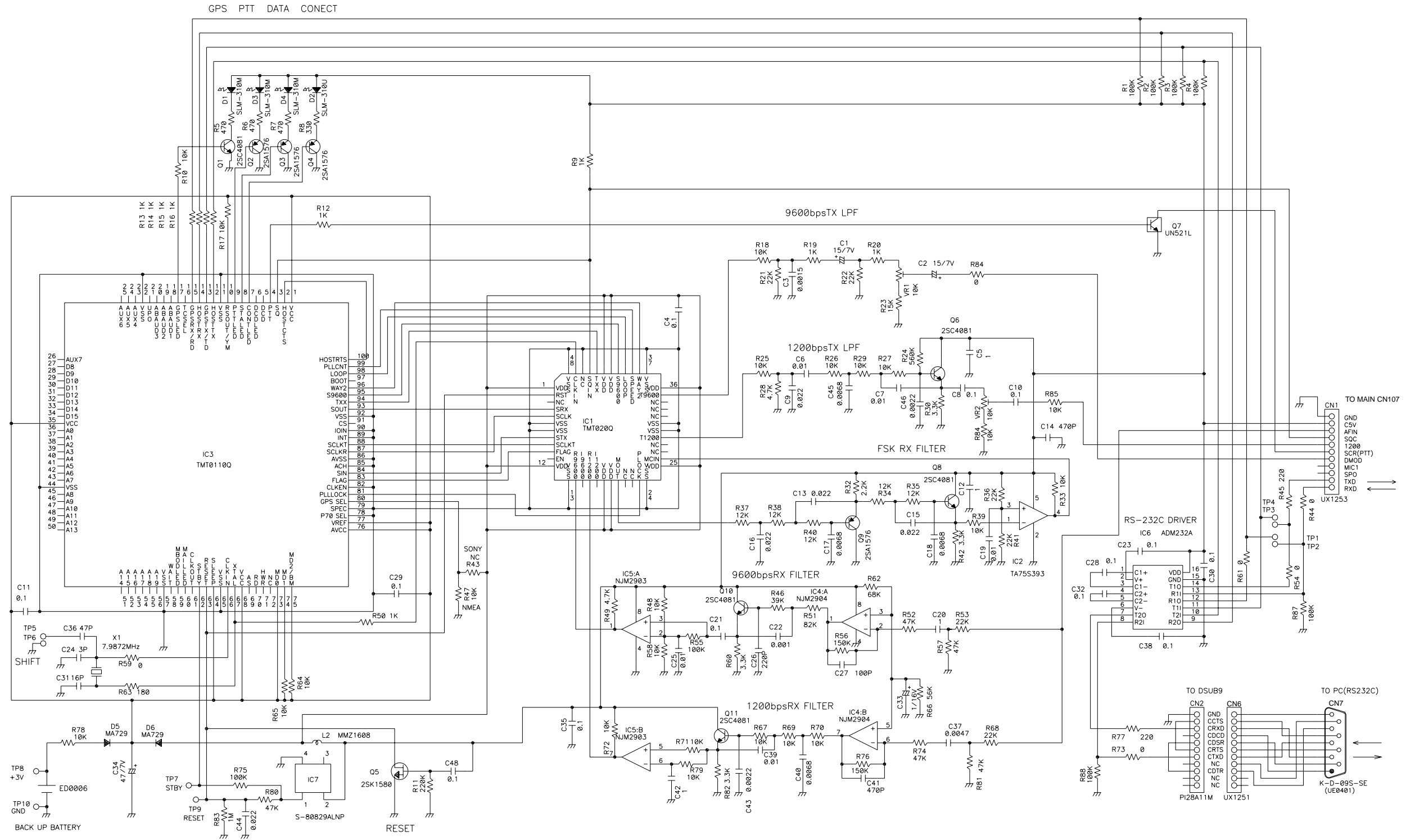


4) MAIN Unit DR-435



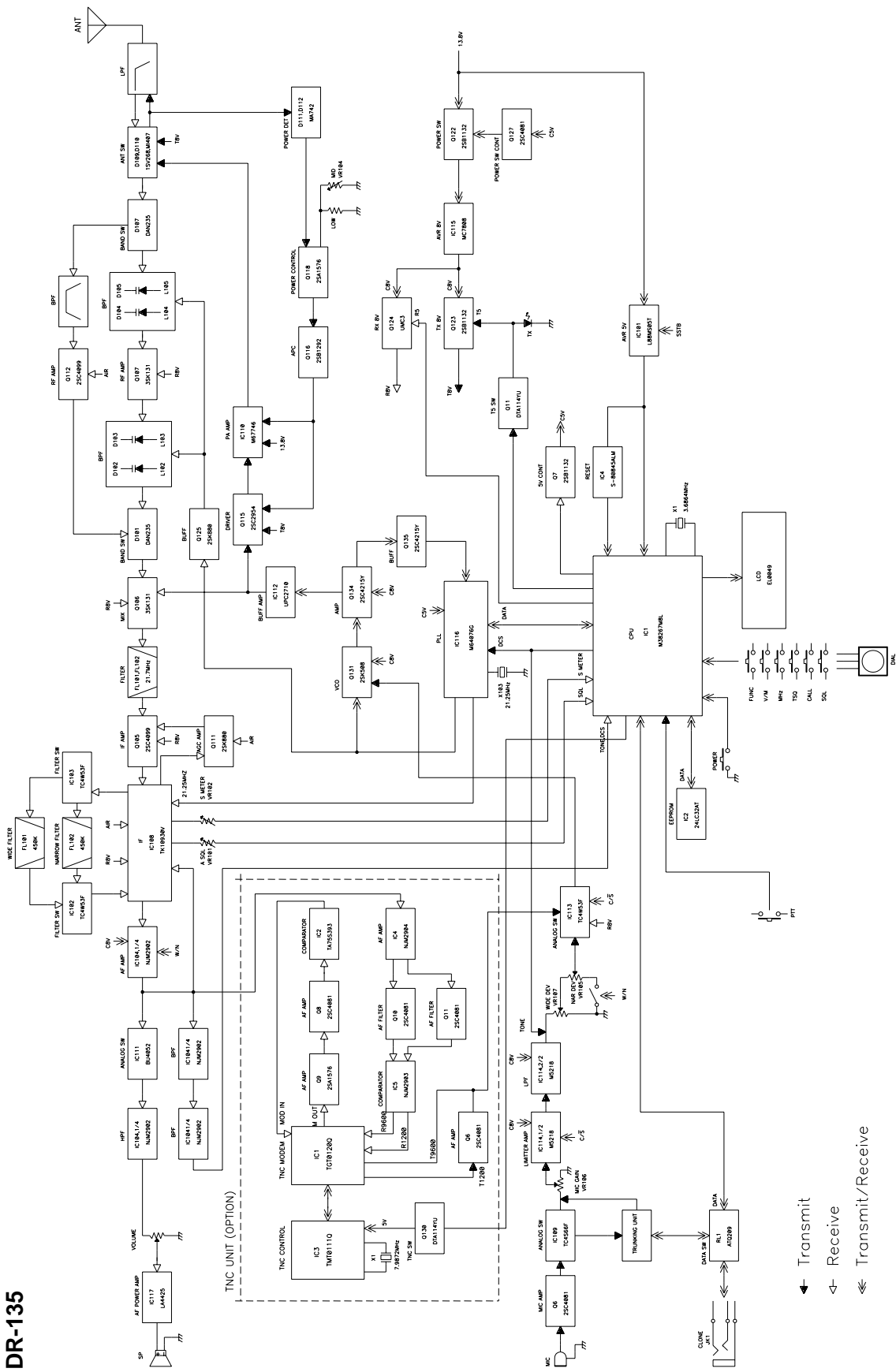
RX IN : 1KHz 3.5KHz/DEV 60dBu
TX IN : 1KHz 4mVeff Hi Power

5) TNC Unit (DR-135TP only) or option



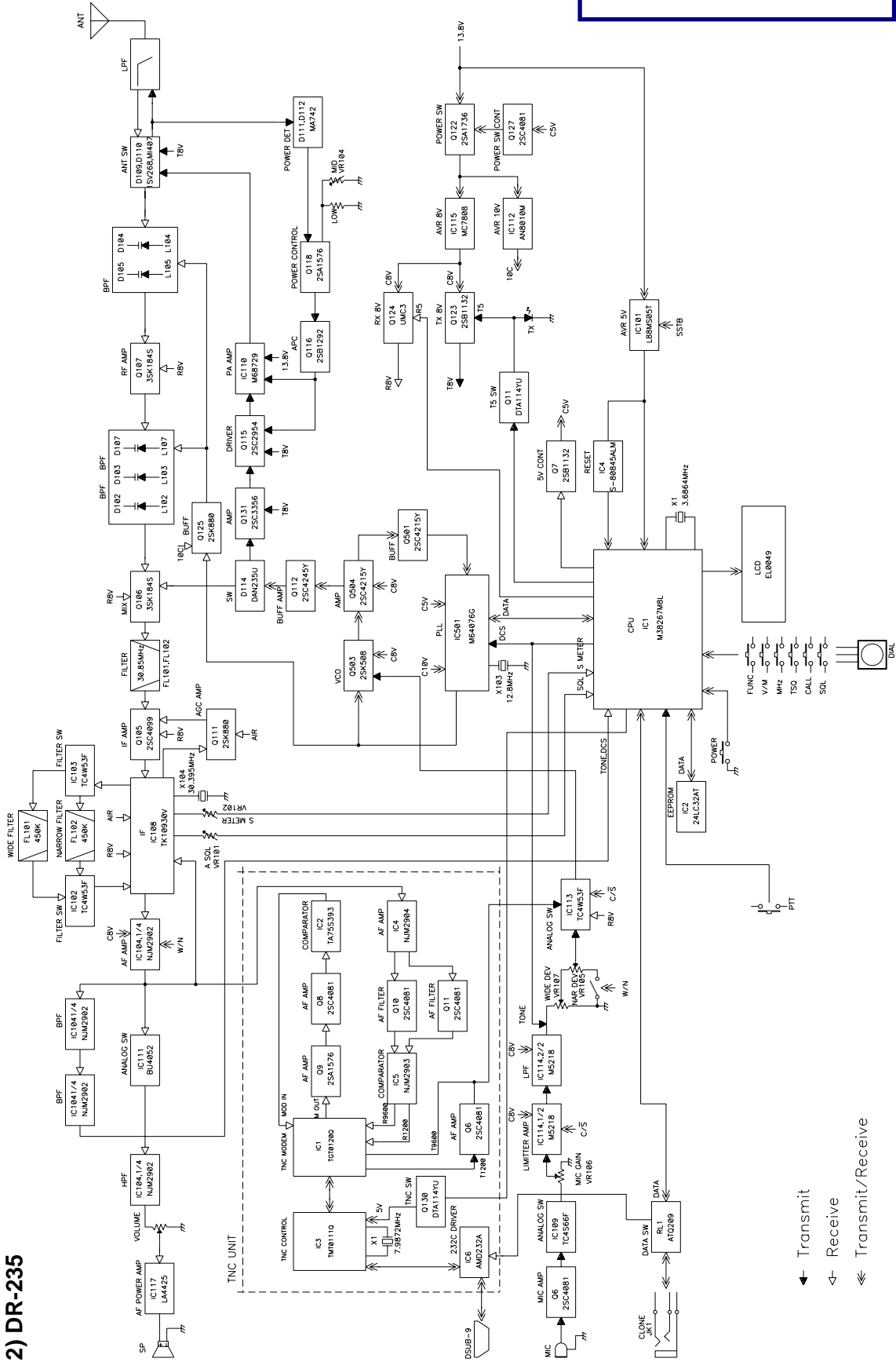
BLOCK DIAGRAM

1) DR-135

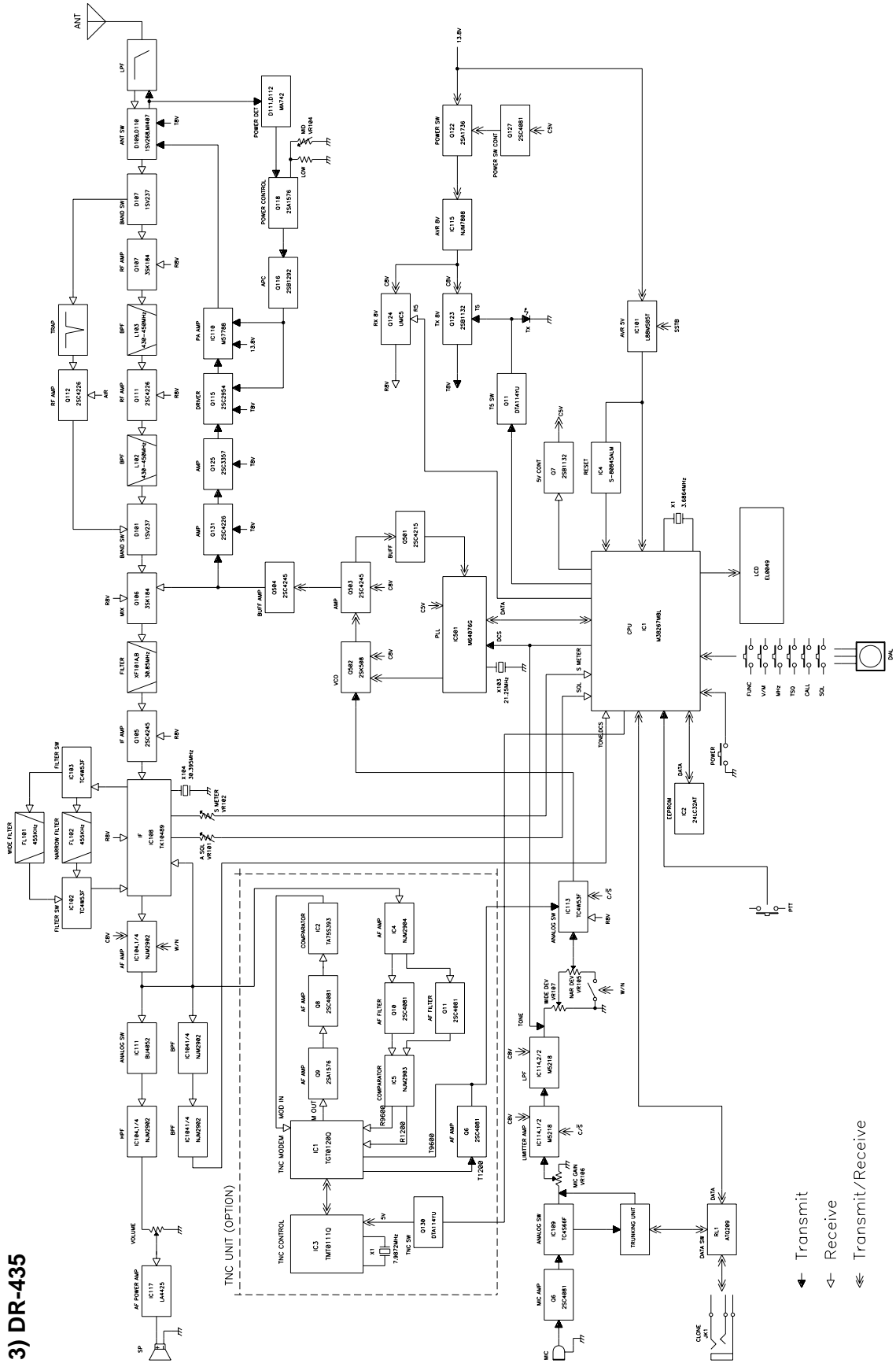


← Transmit
 ⇐ Receive
 ⇔ Transmit/Receive

2) DR-235



3) DR-435



ALINCO, INC.

Head Office : "TWIN 21" MID Tower Building 25F
1-61, 2-Chome, Shiromi, Chuo-ku, Osaka 540-8580, Japan
Phone: 06-6946-8150 Fax: 06-6946-8175
E-mail: export@alinco.co.jp

U.S.A. : 438 Amapola Ave., Suite 130, Torrance, CA 90501-6201, U.S.A.
Phone: 310-618-8616 Fax: 310-618-8758
<http://www.alinco.com/>

Germany : Eschborner Landstrasse 55, 60489 Frankfurt am Main, Germany
Phone: 069-786018 Fax: 069-789-60766
<http://www.alinco.de/>

Dealer/Distributor