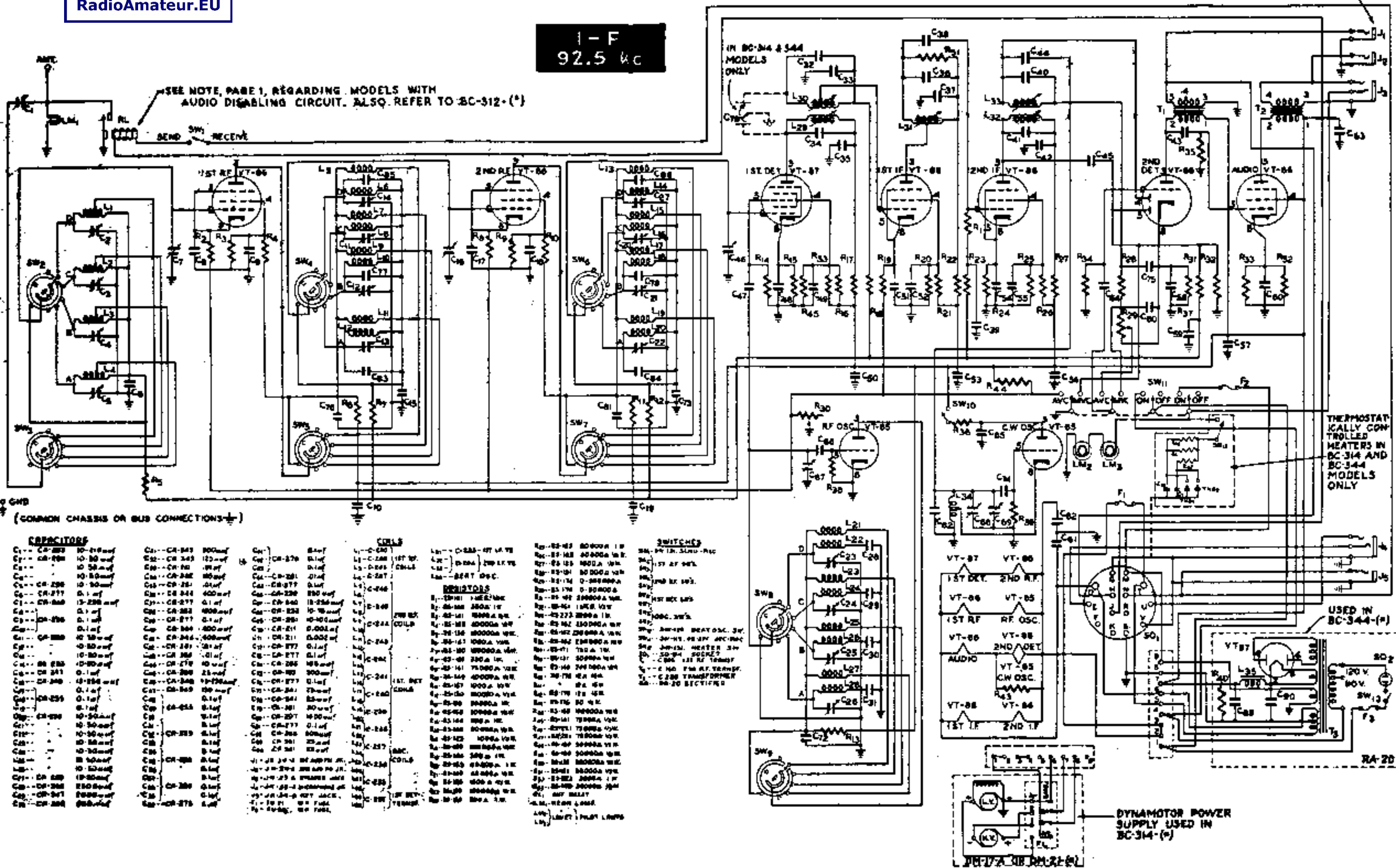


SCHMATIC OF RECEIVER

SEE NOTE, PAGE 1, ON AUDIO JACKS

Downloaded by
RadioAmateur.EU

I-F
92.5 kc



THERMOSTATICALLY CONTROLLED HEATERS IN BC-314 AND BC-344 MODELS ONLY

USED IN BC-344-(*)

RA-20

DYNAMOTOR POWER SUPPLY USED IN BC-314-(*)