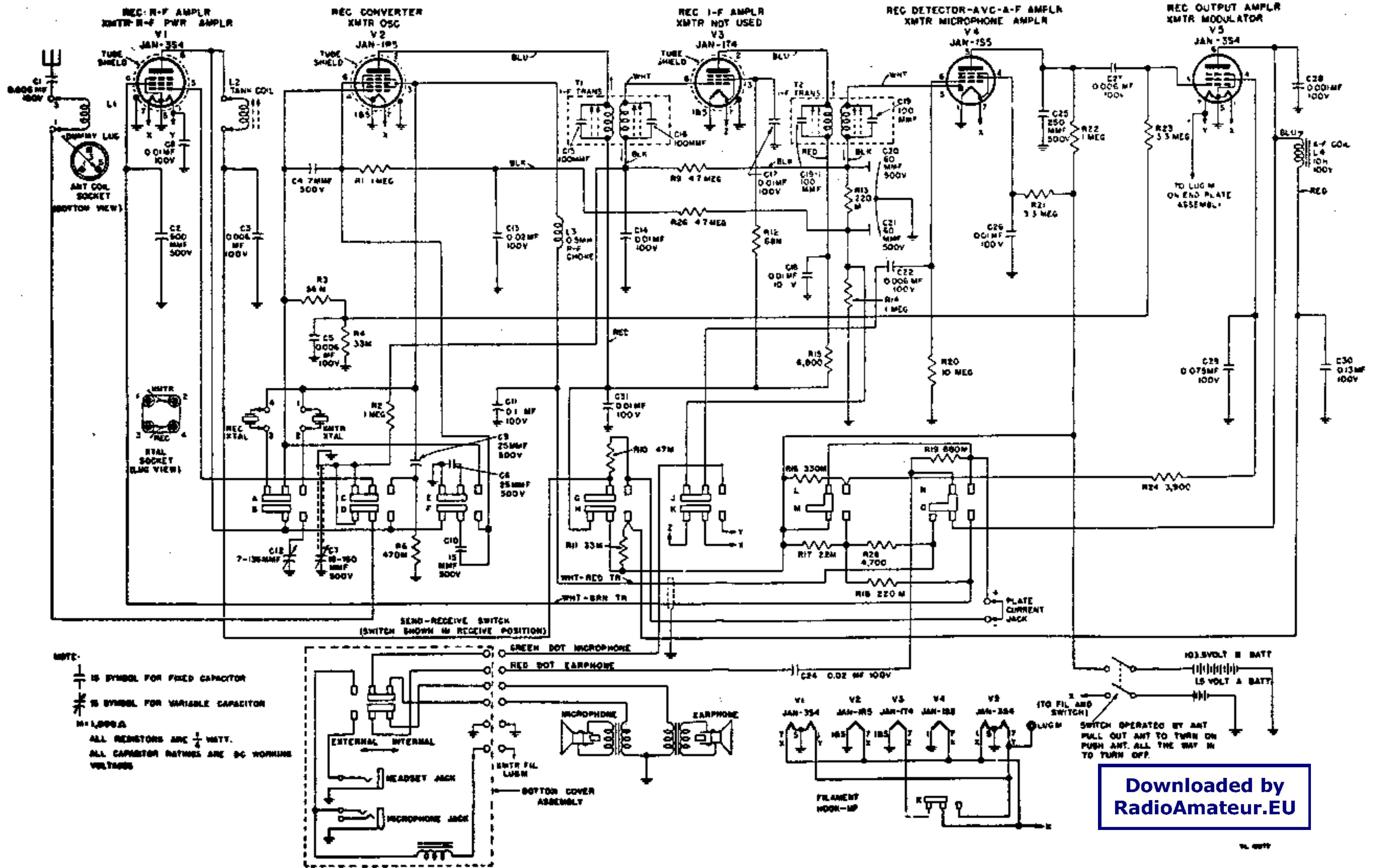


SCHEMATIC DIAGRAM RADIO RECEIVER & TRANSMITTER BC-611-F



NOTE:
 [Symbol] IS SYMBOL FOR FIXED CAPACITOR
 [Symbol] IS SYMBOL FOR VARIABLE CAPACITOR
 M=1,000 μ A
 ALL RESISTORS ARE $\frac{1}{4}$ WATT.
 ALL CAPACITOR RATINGS ARE DC WORKING VOLTAGE

Downloaded by
RadioAmateur.EU