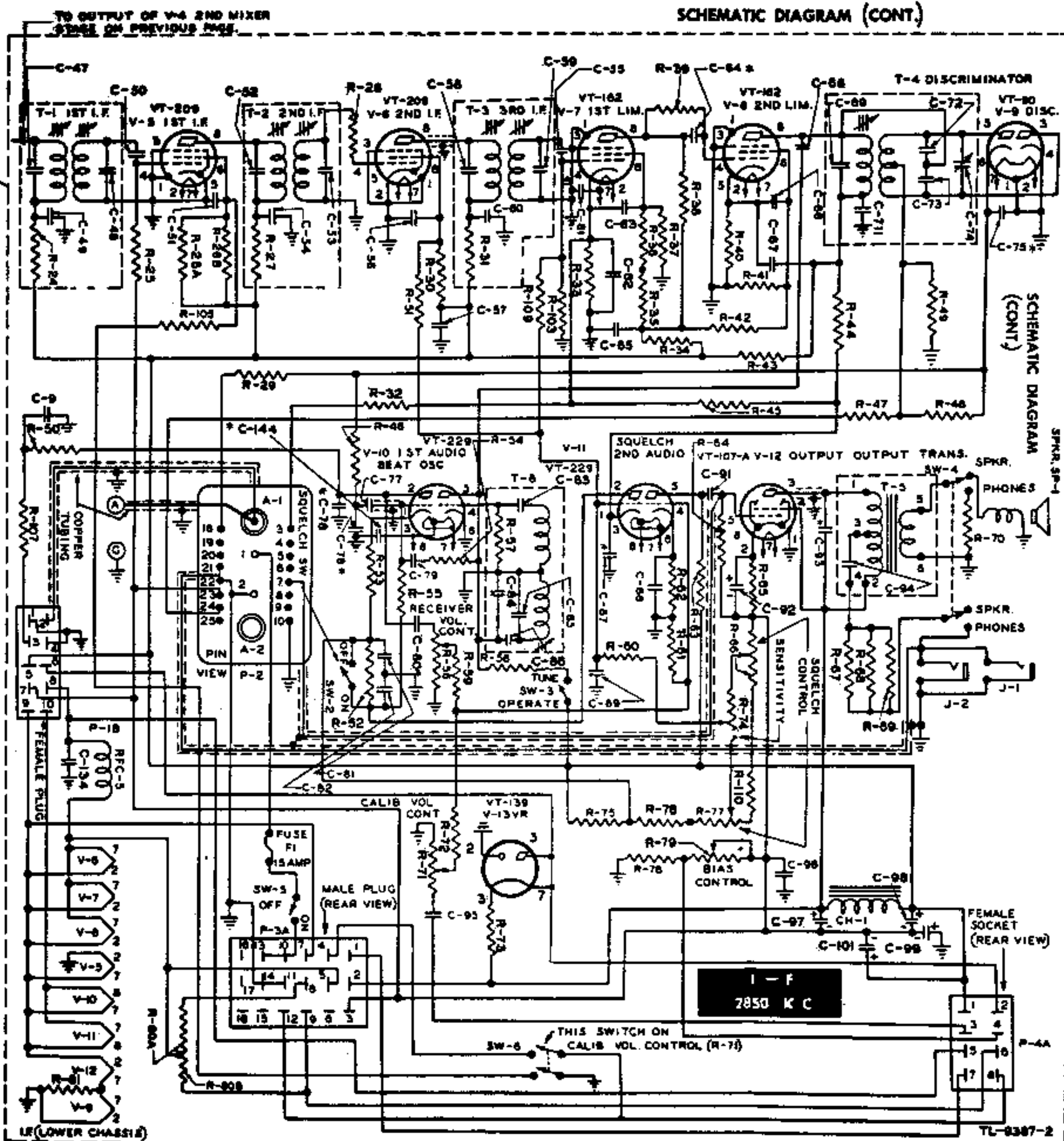


SCHMATIC DIAGRAM (CONT.)

CONTINUED FROM PRECEDING PAGE

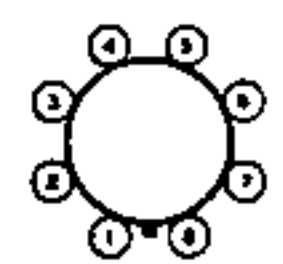


*C-35 0.005µf 500V	C-72 70µmf CER	C-110 10µmf CER
*C-36 0.005µf 500V	C-73 70µmf CER	C-111 50µmf CER
C-37 45µmf MAX	C-74 18µmf MAX	C-112 7µmf CER
C-38 45µmf MAX	*C-75 250µmf 500V	C-113 5µmf CER
C-39 45µmf MAX	*C-76 500µmf 600V	C-114 0.006µf 600V
C-40 45µmf MAX	C-77 0.01µf 400V	C-115 0.006µf 800V
*C-41 0.005µf 500V	*C-78 250µmf 500V	*C-116 500µmf 500V
*C-42 0.005µf 500V	*C-79 0.006µf 600V	C-117 0.006µf 600V
*C-43 0.005µf 500V	*C-80 0.001µf 300V	*C-118 0.001µf 300V
*C-44 0.005µf 500V	C-81 0.05µf 120V	*C-119 0.01µf 500V
C-45 0.006µf 500V	C-82 0.01µf 400V	*C-120 0.005µf 500V
C-46 0.01µf 400V	C-83 50µmf CER	*C-121 0.005µf 500V
C-47 35µmf CER	C-84 50µmf CER	*C-122 0.005µf 500V
C-48 35µmf CER	C-85 100µmf CER	*C-123 0.01µf 500V
C-49 0.01µf 400V	C-86 50µmf CER	*C-124 0.01µf 500V
C-50 25µmf CER	*C-87 0.001µf 300V	*C-125 0.01µf 500V
C-51 0.008µf 500V	C-88 0.5µf 120V	*C-126 0.005µf 500V
C-52 35µmf CER	C-89 0.01µf 400V	*C-127 0.005µf 500V
C-53 35µmf CER	C-90 0.01µf 400V	*C-128 0.005µf 500V
C-54 0.01µf 400V	C-91 0.01µf 400V	*C-129 0.01µf 500V
C-55 10µmf CER	C-92 10µf 25V	*C-130 0.01µf 500V
C-56 0.01µf 400V	*C-93 0.006µf 500V	*C-131 0.001µf 300V
C-57 0.01µf 400V	C-94 0.05µf 600V	C-132 30µmf MAX
C-58 35µmf CER	C-95 0.01µf 400V	C-133 50µmf CER
C-59 35µmf CER	C-96 0.05µf 400V	C-134 0.006µf 500V
C-60 0.01µf 400V	C-97 10µf 450V	*C-135 100µmf 500V
C-61 0.008µf 500V	C-98 10µf 450V	*C-136 0.001µf 300V
C-62 0.01µf 400V	C-99 10µf 25V	*C-137 0.001µf 300V
C-63 0.01µf 400V	C-100 35µmf MAX	*C-138 0.001µf 500V
*C-64 25µmf 500V	C-101 10µf 450V	*C-139 500µmf 500V
C-65 0.006µf 500V	C-102 0.006µf 600V	C-140 0.05µf 500V
C-66 0.01µf 400V	C-103 100µmf CER	C-141 0.75µmf CER
C-67 0.01µf 400V	C-104 100µmf CER	C-142 10µmf CER
C-68 0.75µmf CER	C-105 0.006µf 600V	*C-143 10µmf CER
C-69 35µmf CER	C-106 5µmf CER	*C-144 0.001µf 300V
C-70 0.01µf 400V	C-107 33µmf CER	*C-145 0.001µf 300V
	C-108 88µmf CER	C-146 3µmf CER

NOTES:
 *THESE CAPACITORS MUST BE MICA DIELECTRIC OR ("CER." IF SO MARKED) ALL OTHER MOULDED TYPE CAPACITORS MAY BE EITHER MICA OR PAPER DIELECTRIC. CAPACITORS NO. C-15A & C-15B MUST BE REPLACED AS A UNIT.

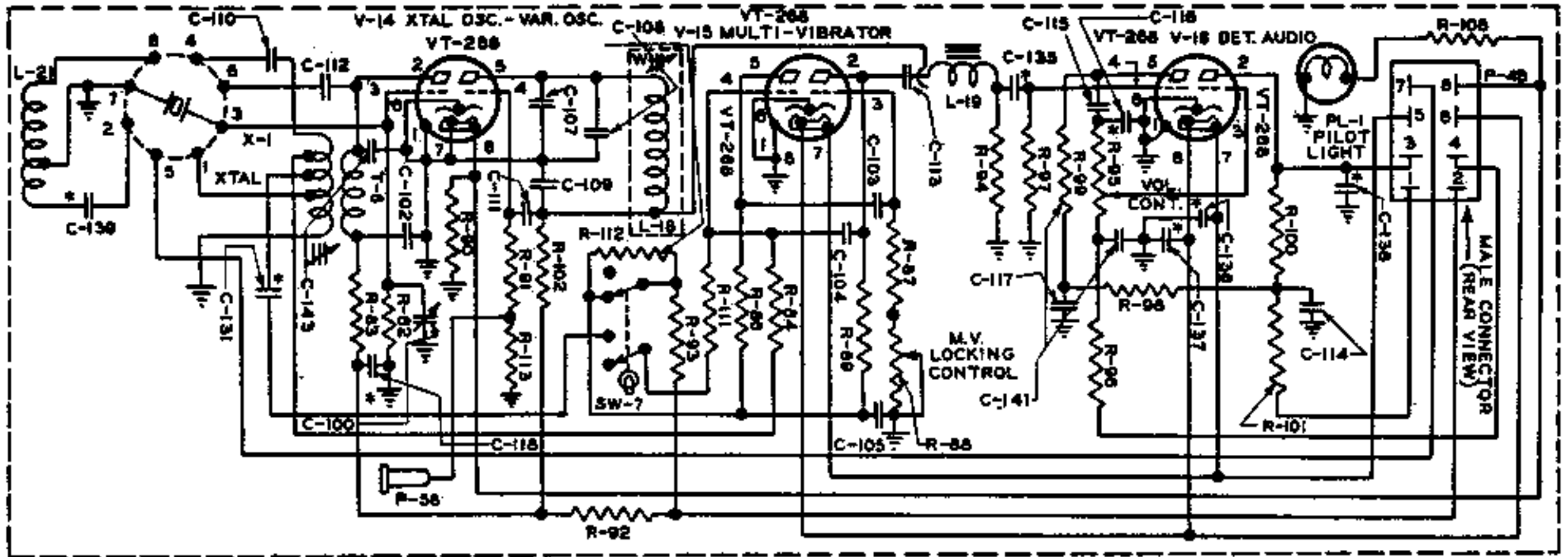
Downloaded by
 RadioAmateur.EU

TUBE SOCKET TERMINALS



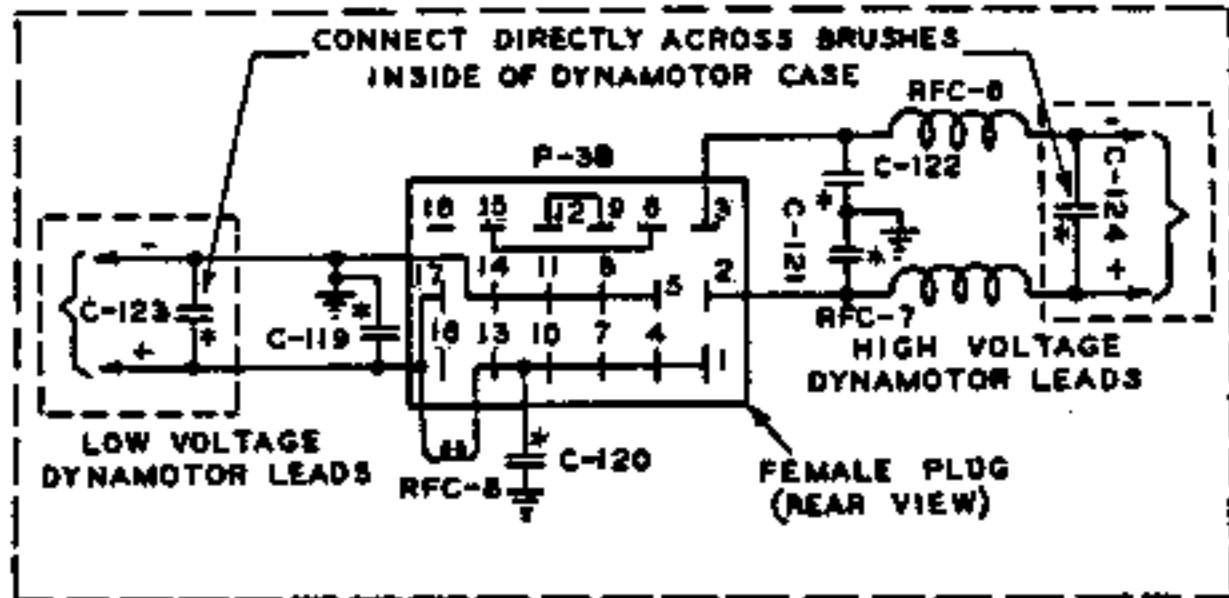
BOTTOM VIEW

SCHMATIC DIAGRAM (CONT.)

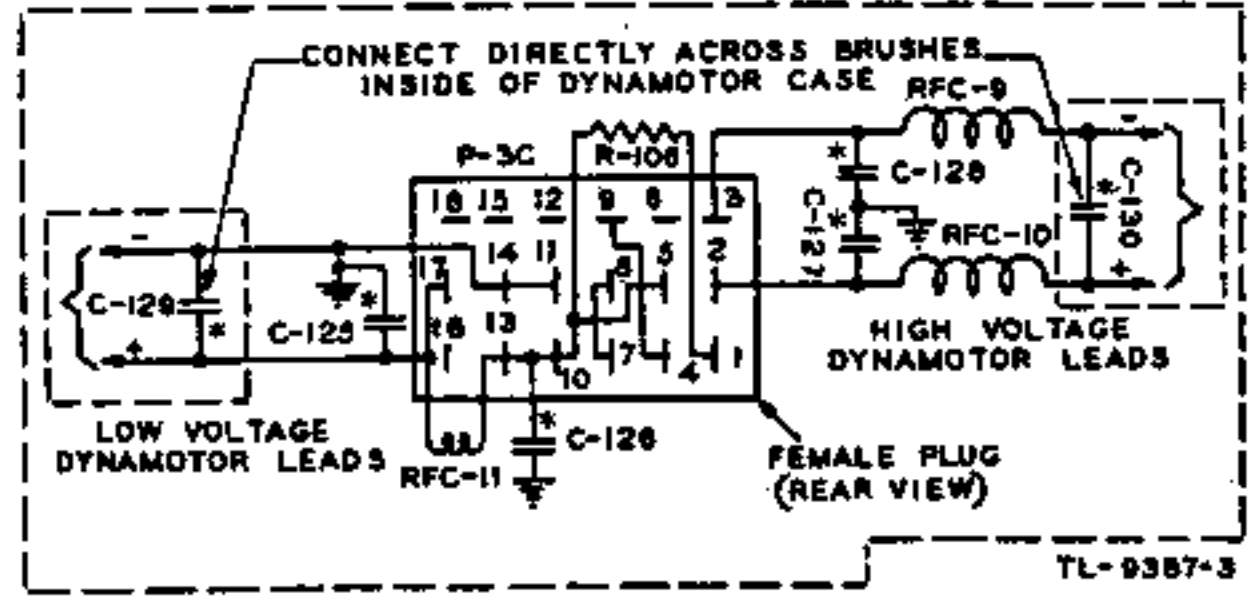


CRYSTAL CALIBRATOR CHASSIS

Downloaded by
RadioAmateur.EU



DYNAMOTOR DM-64-A 12 VOLT



DYNAMOTOR DM-66-A 24 VOLT