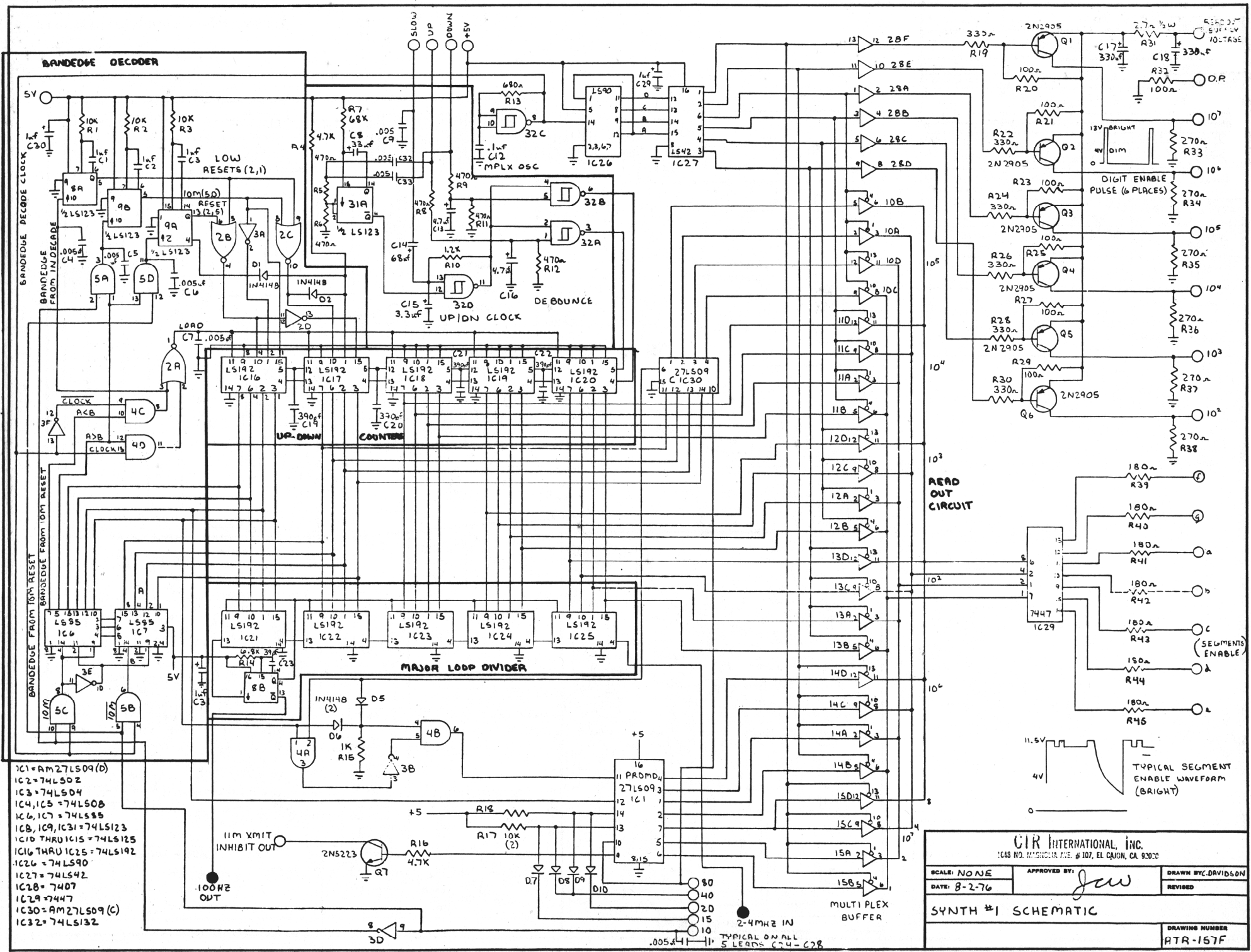


1. * = ON NOISE BLANKER BROAD NOTES

SCALE: NONE	APPROVED BY:	DRAWN BY: DAVIDSON
DATE: 5-16-78		REVISED
RECEIVER BOARD BLOCK DIAGRAM		
		DRAWING NUMBER



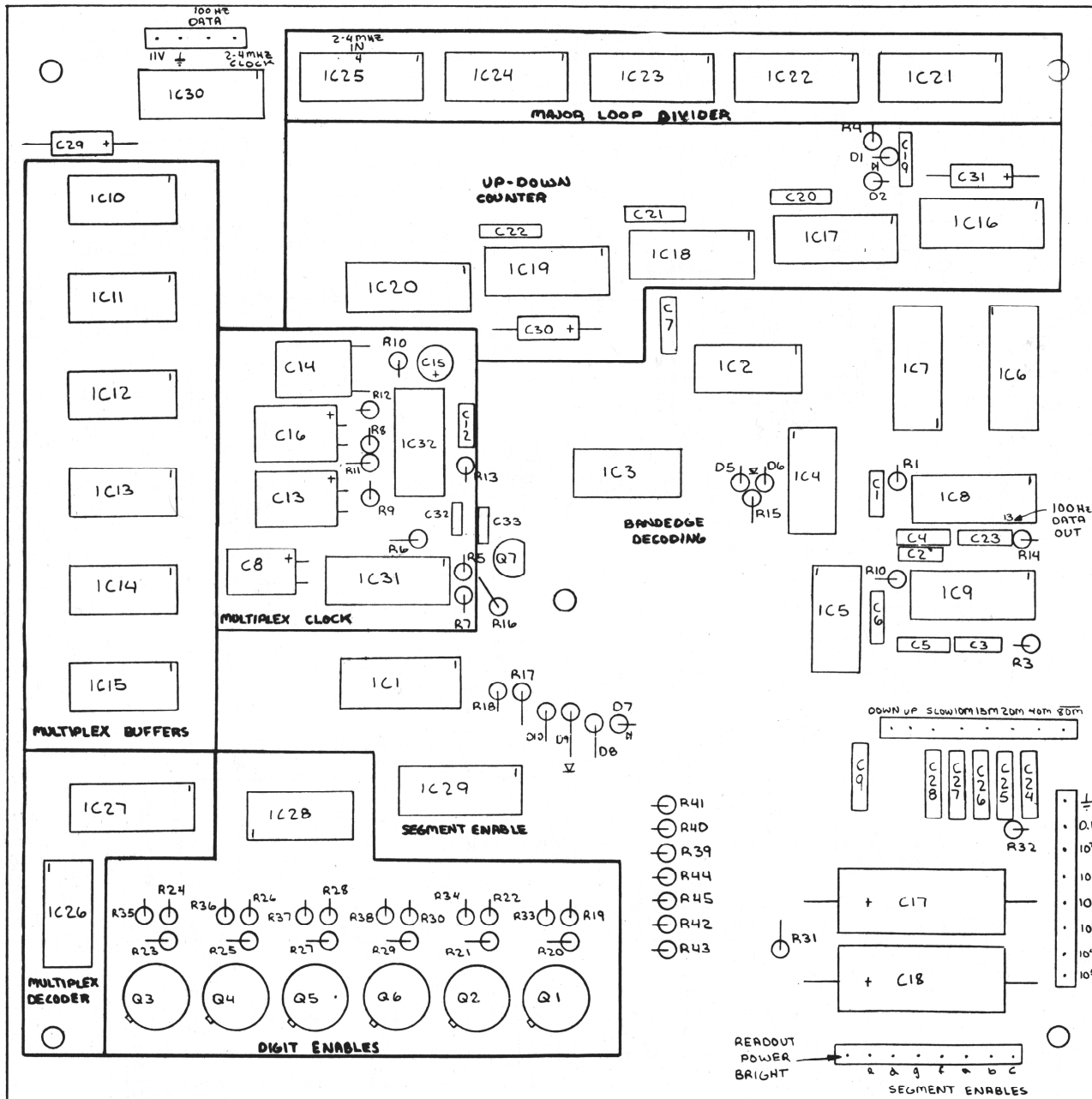
- IC1=AM27LS09(D)
- IC2=74LS02
- IC3=74LS04
- IC4,IC5=74LS08
- IC6,IC7=74LS85
- IC8,IC9,IC31=74LS123
- IC10 THRU IC15=74LS125
- IC16 THRU IC25=74LS192
- IC26=74LS90
- IC27=74LS42
- IC28=7407
- IC29=7447
- IC30=AM27LS09(C)
- IC32=74LS132

GIR INTERNATIONAL, INC.
1648 NO. MANCINI AVE. # 107, EL CAJON, CA 92020

SCALE: NONE	APPROVED BY: <i>Jaw</i>	DRAWN BY: DAVIDSON	
DATE: 8-2-76		REVISED	

SYNTH #1 SCHEMATIC

DRAWING NUMBER	ATR-157F
----------------	----------



REVISION	DESCRIPTION	DATE	APPRO
E	REPLACED D3, D4 WITH C32 + C33 WITH .005 uF C012-21-77		
D	DELETED C10, C11 FROM LAYOUT. C07-7-77	7-7-77	Jew
C	ADDED R10, C15 TO LAYOUT. CORRECTED REFERENCE NUMBERS C05-5-77	5-5-77	Jew
B	REVISED + REDRAWN INCREASING SIZE 2:1 FOR CLARITY C03-1-77	3-2-77	Jew

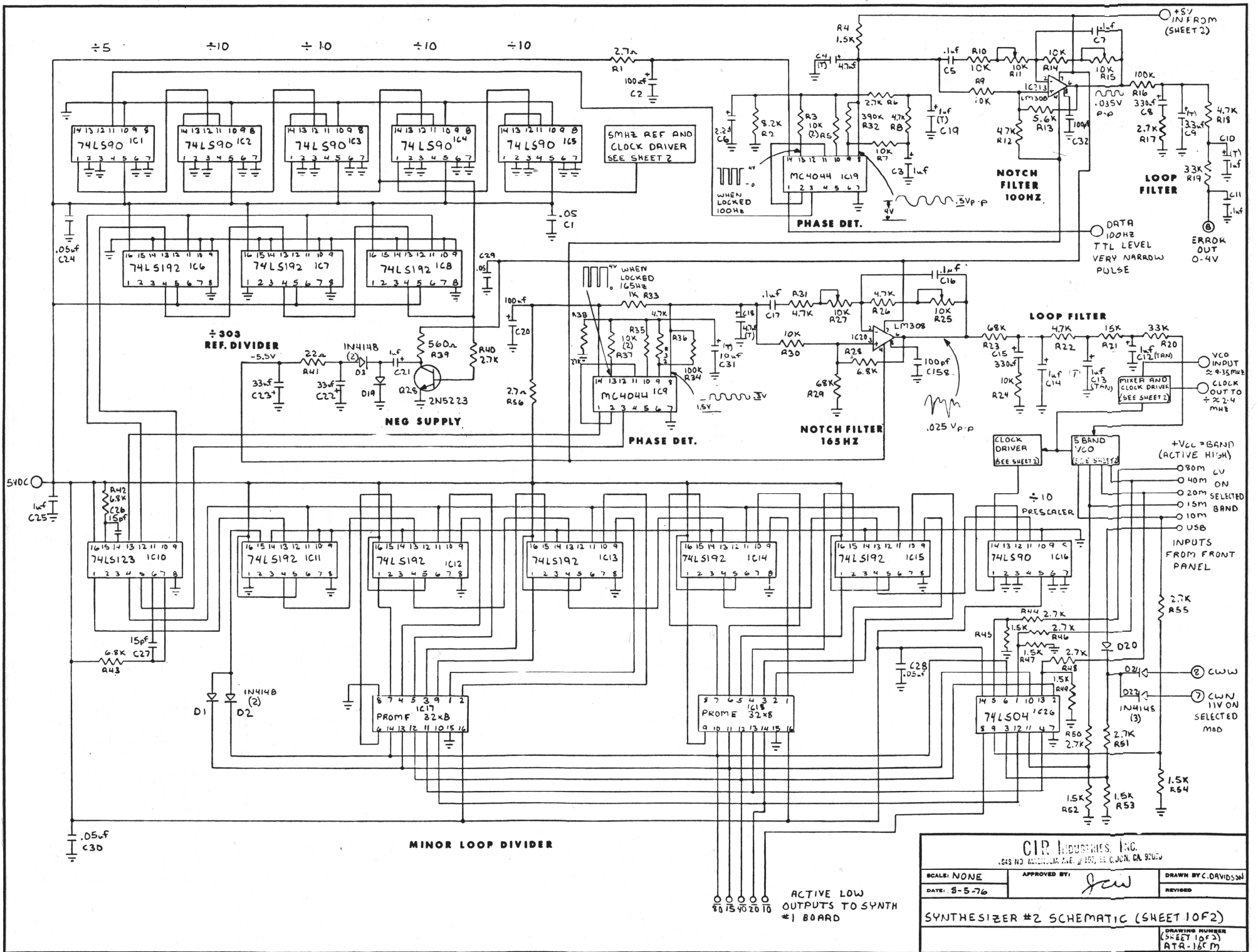
CIR INDUSTRIES, INC.
1211 N. MAGNOLIA AVE. # 107. EL CAJON, CA 92020

SCALE: NONE APPROVED BY: DRAWN BY: C. DAVIDSON

DATE: 3-1-77 REVISED:

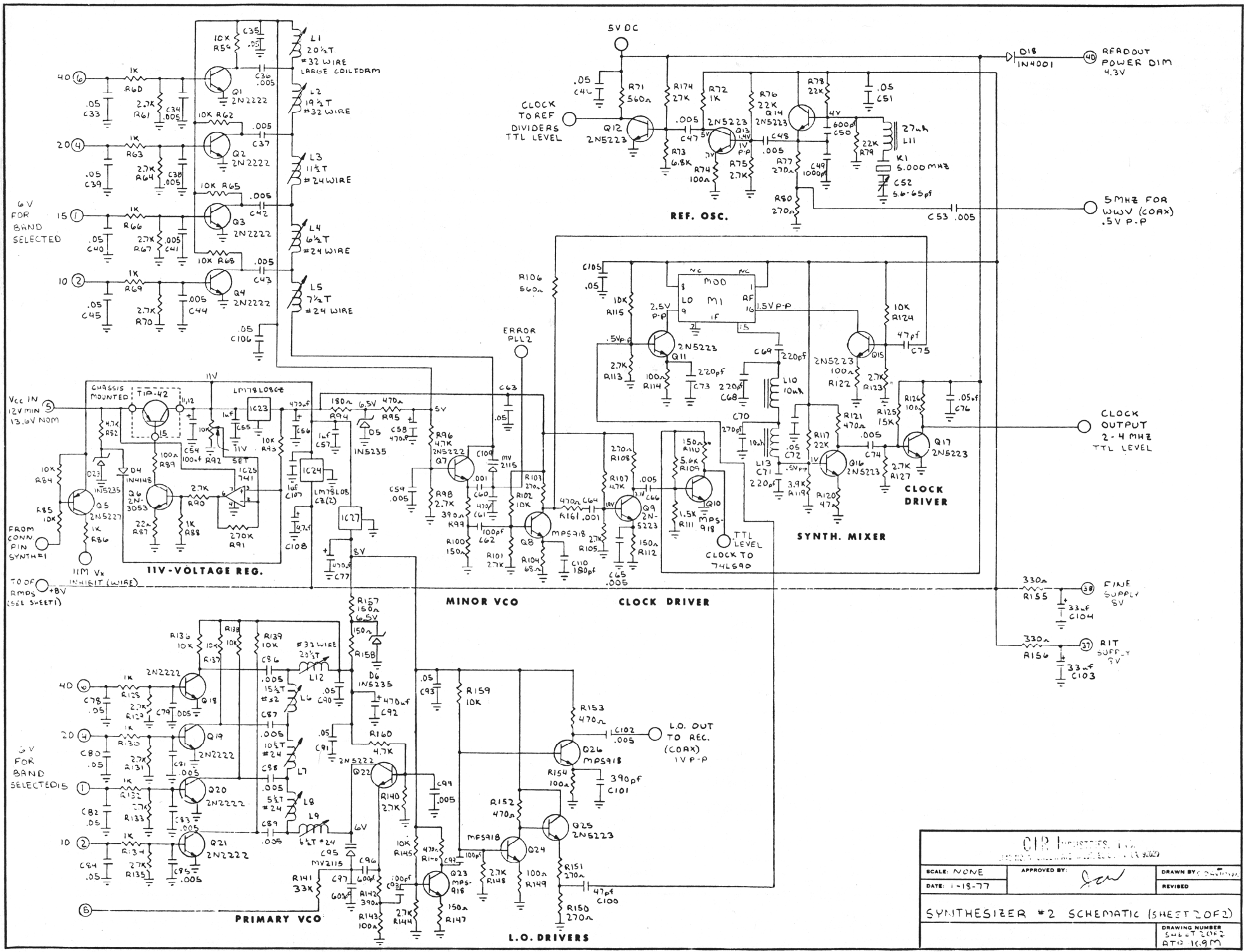
SYNTH. #1 LAYOUT

DRAWING NUMBER
ATR-158E



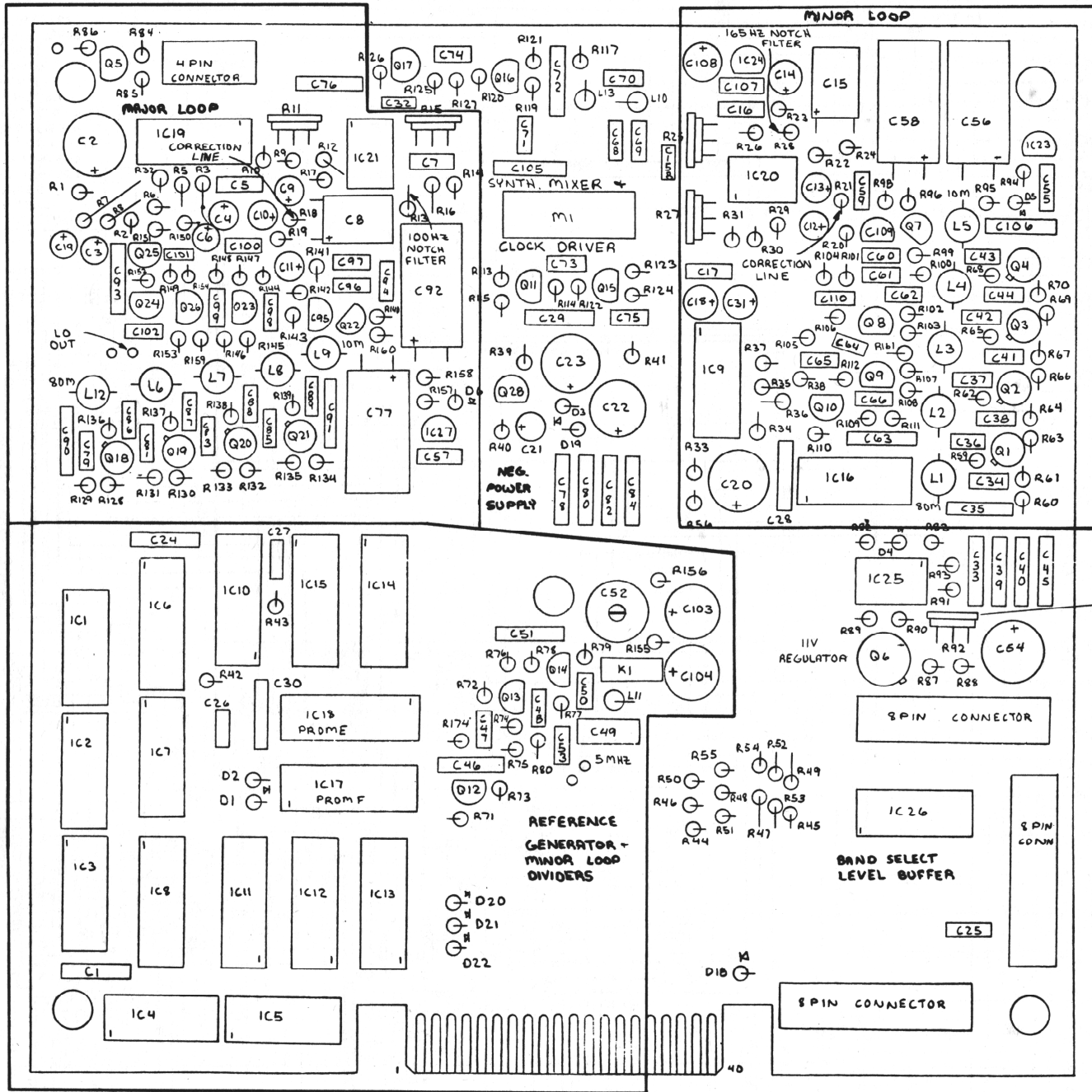
CIR INDUSTRIES, INC.
645 HO. MONTECALA AVE. # 100, EL CERRILLO, CA 95001

SCALE: NONE	APPROVED BY: <i>Jaw</i>	DRAWN BY: C. DAVIDSON	REVISION:
DATE: 8-5-76			
SYNTHESIZER #2 SCHEMATIC (SHEET 1 OF 2)		DRAWING NUMBER: ATA-165M	



GIR INDUSTRIES, INC.
1000 CLEARPENT

SCALE: NONE	APPROVED BY: <i>[Signature]</i>	DRAWN BY: [Signature]
DATE: 1-18-77		REVISED:
SYNTHESIZER #2 SCHEMATIC (SHEET 2 OF 2)		
		DRAWING NUMBER SHEET 2 OF 2 ATE 10.9M



REV	DESCRIPTION	DATE	APPD
G	ADDED NEW MIXER CIRCUIT TO LAYOUT CD 10-3-77	10-3-77	JW
F	CHANGED LAYOUT TO MATCH LATEST CIRCUIT BRD CD 7-7-77	7-7-77	JW
E	DELETE C73 ADDRESS, C73 MOVED A105, C64 CD 5-23-77	5-24-77	JW
D	CORRECTED TRANSISTORS ON LAYOUT ADDING TABS ON THEM CD 4-12-77	4-19-77	CDF
C	CHANGED COLORS ON Z BEAD TRANSFORMERS CD 3-10-77	3-10-77	CDF
B	DELETED C67 MOVED R32, R34 C101 CD 3-3-77	3-3-77	JW
A	ADDED COLORS TO Z BEAD TRANSFORMERS CD 2-23-77	3-1-77	JW
LTR	DESCRIPTION	DATE	APPD

CIP Industries
1645 3RD AVENUE, ST. LOUIS, MO 63103

SCALE: NONE APPROVED BY: *JW* DRAWN BY: ONV(D261)

DATE: 2-11-77 REVISED

SYNTH #2 LAYOUT

DRAWING NUMBER
ATR-170 G

1.1SET OF MATCHED DIODES D14, D15, D16, D17
NOTES