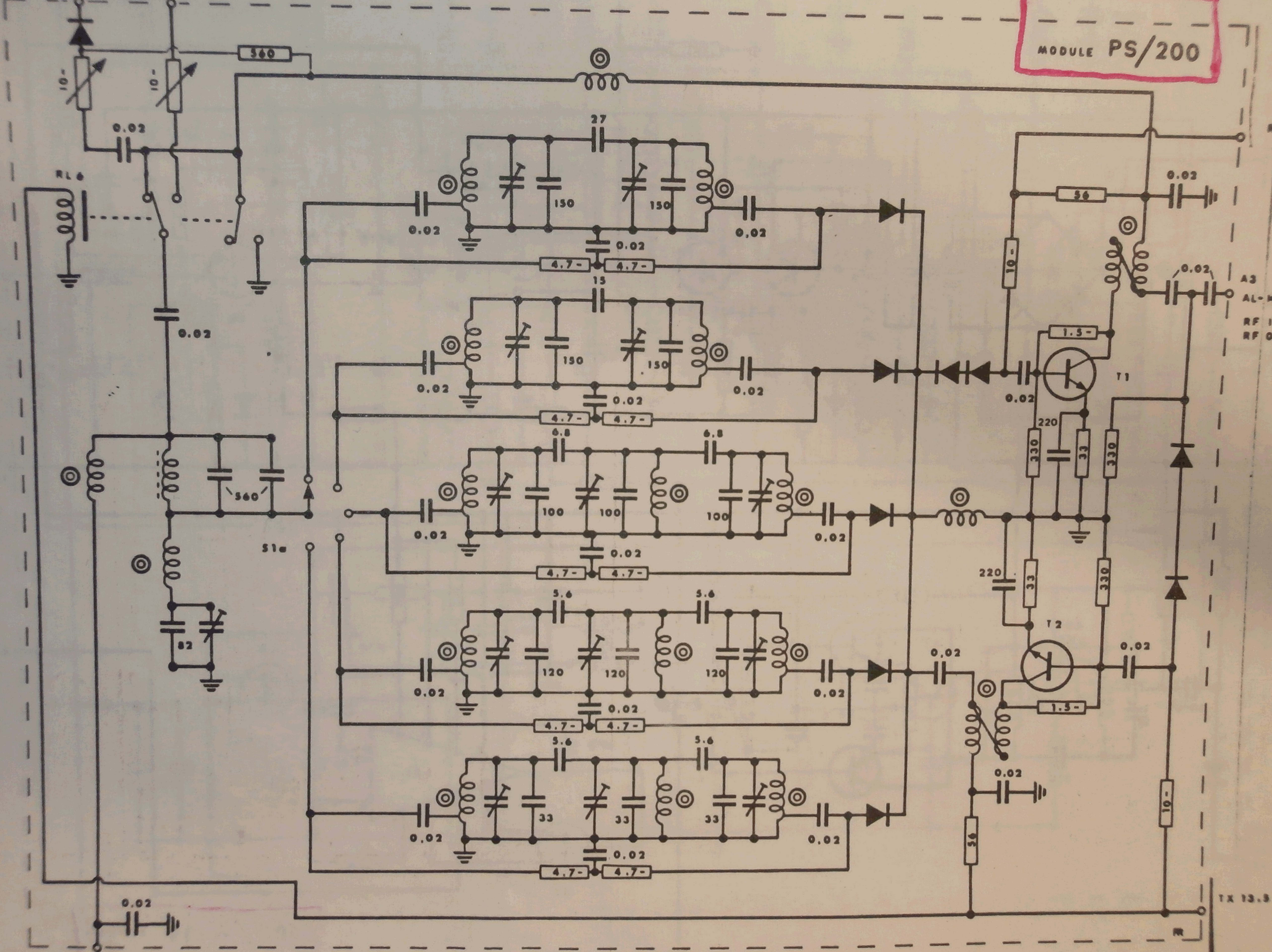


RF IMP RX RF OUT TX
A1 LNF/200 A3 BFP/200

MODULE PS/200



RX 13.5

A3
AL-M/200
RF IMP TX
RF OUT RX

TX 13.5

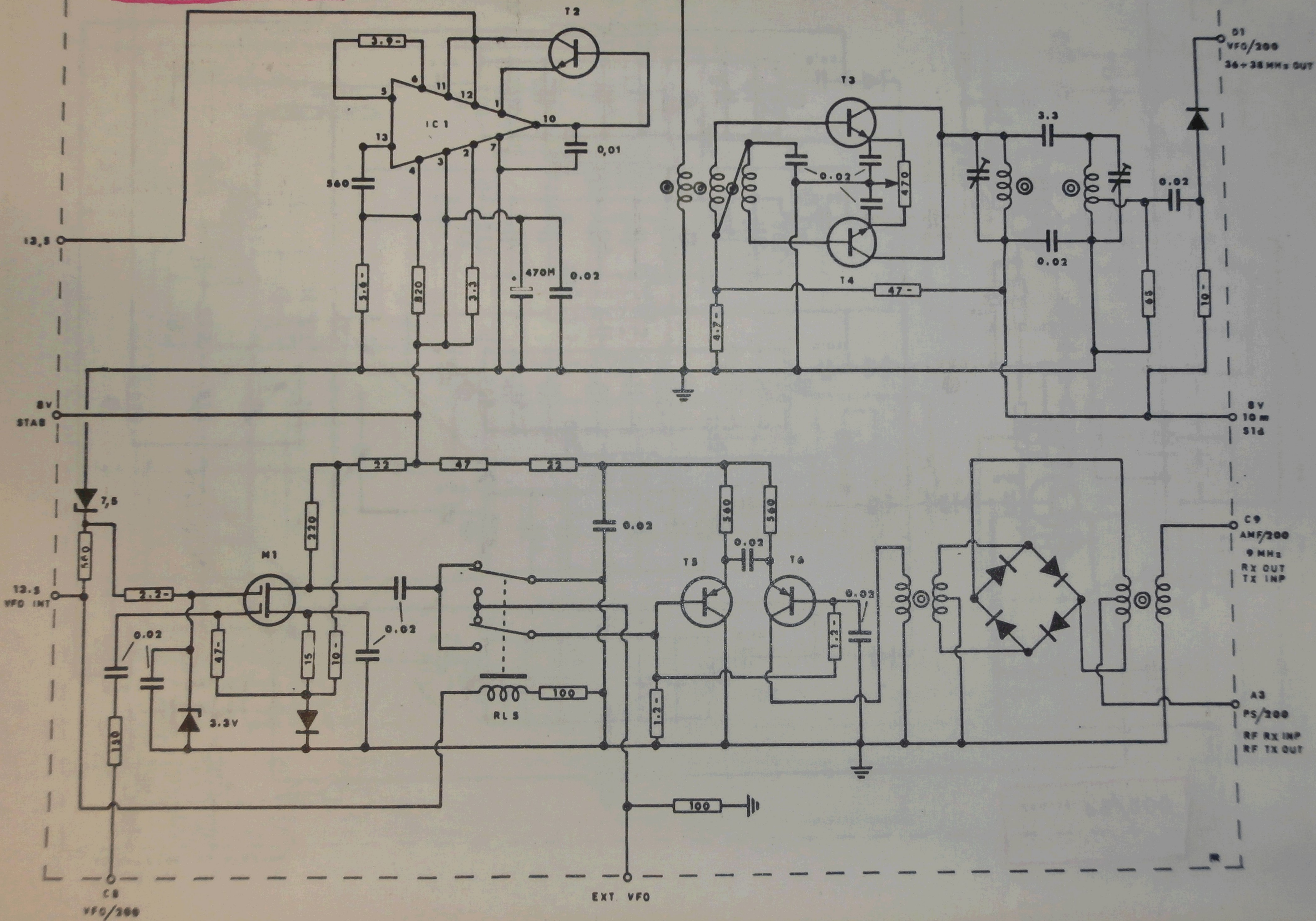
12.5

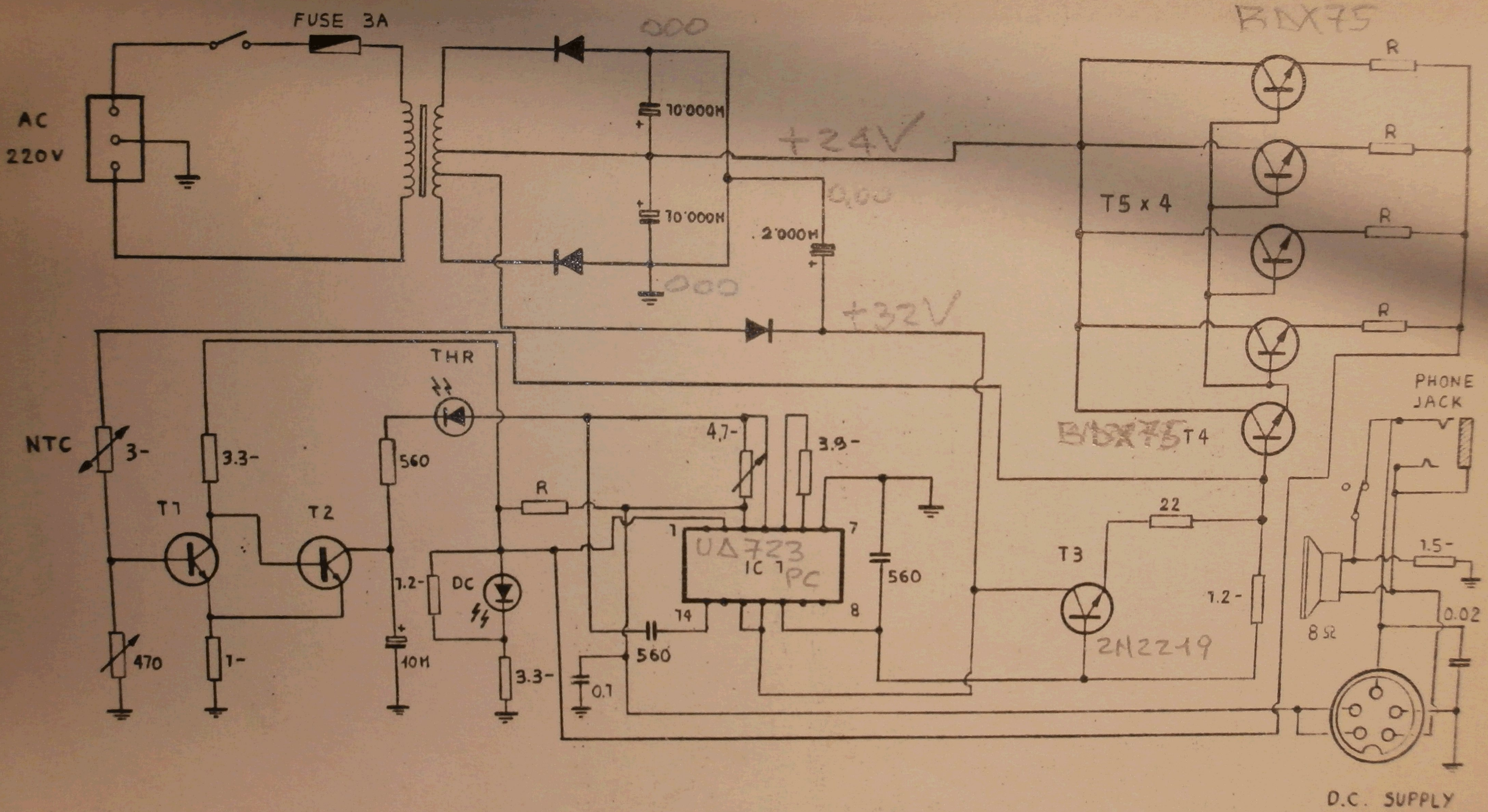
MODULE AL-M/200

18-19 MHz IMP

D2
VFO/200

D1
VFO/200
36-38 MHz OUT



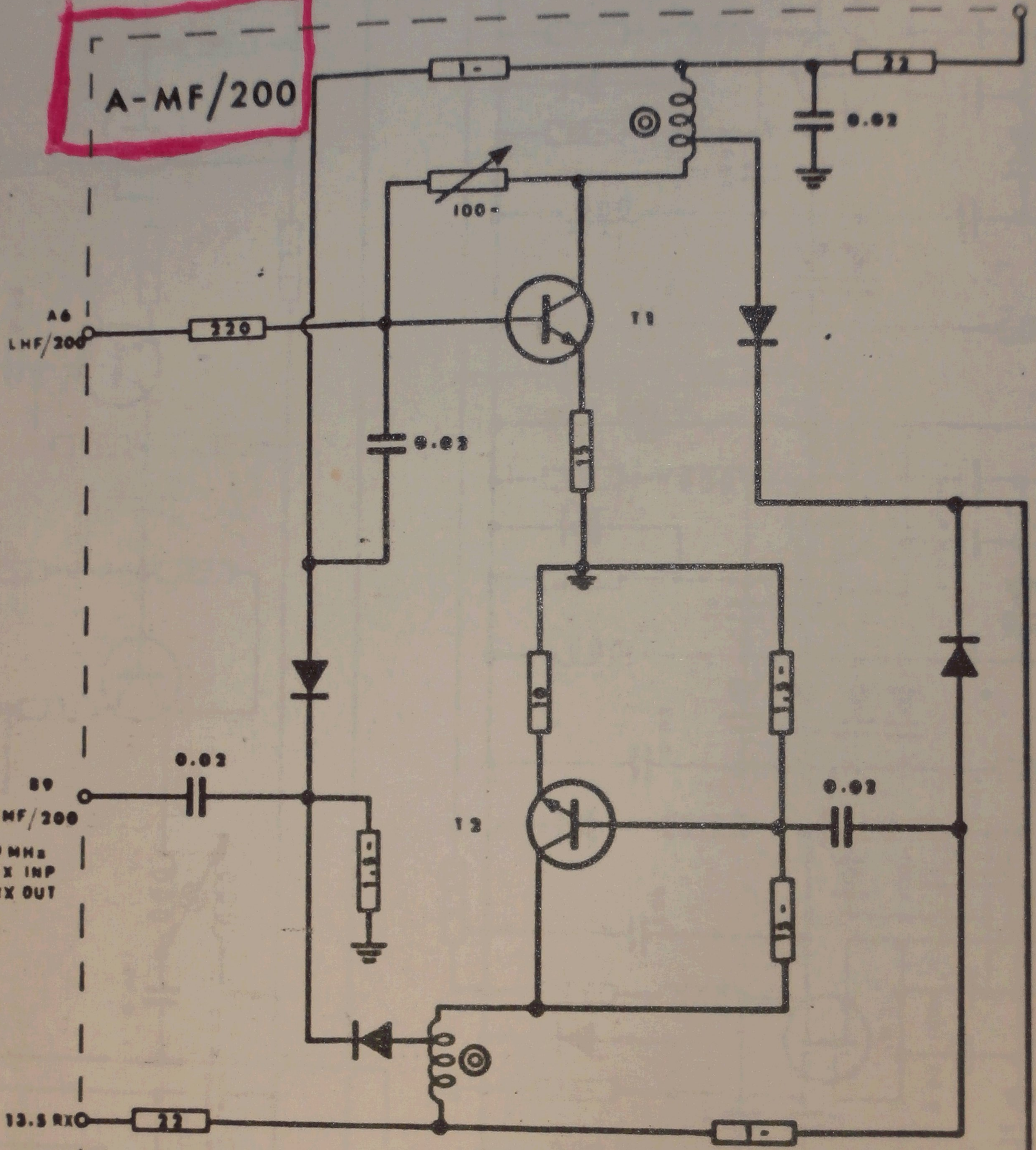


BIX75

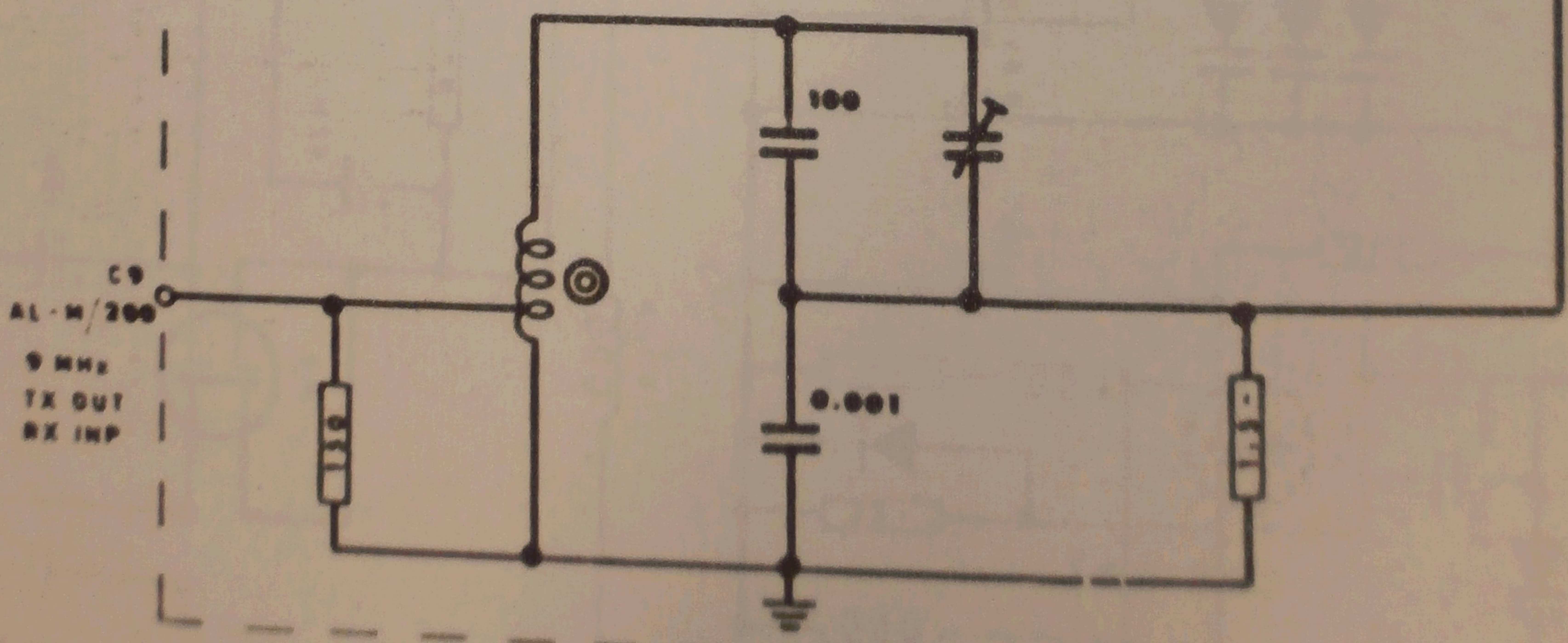
BIX75 T4

DIAGRAM AL-S/200

A-MF/200

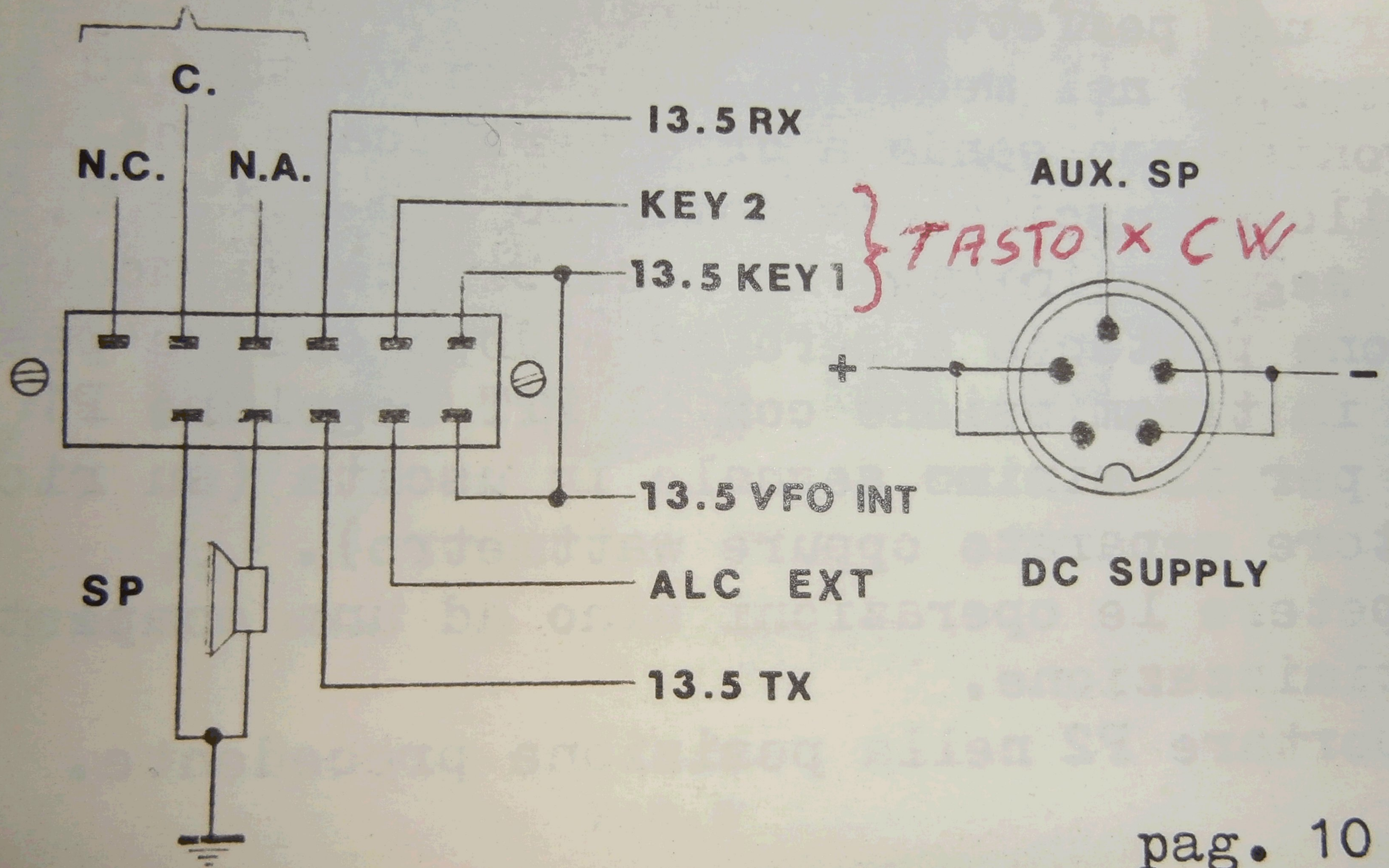


B9
6MF/200
9 MHz
TX INP
RX OUT



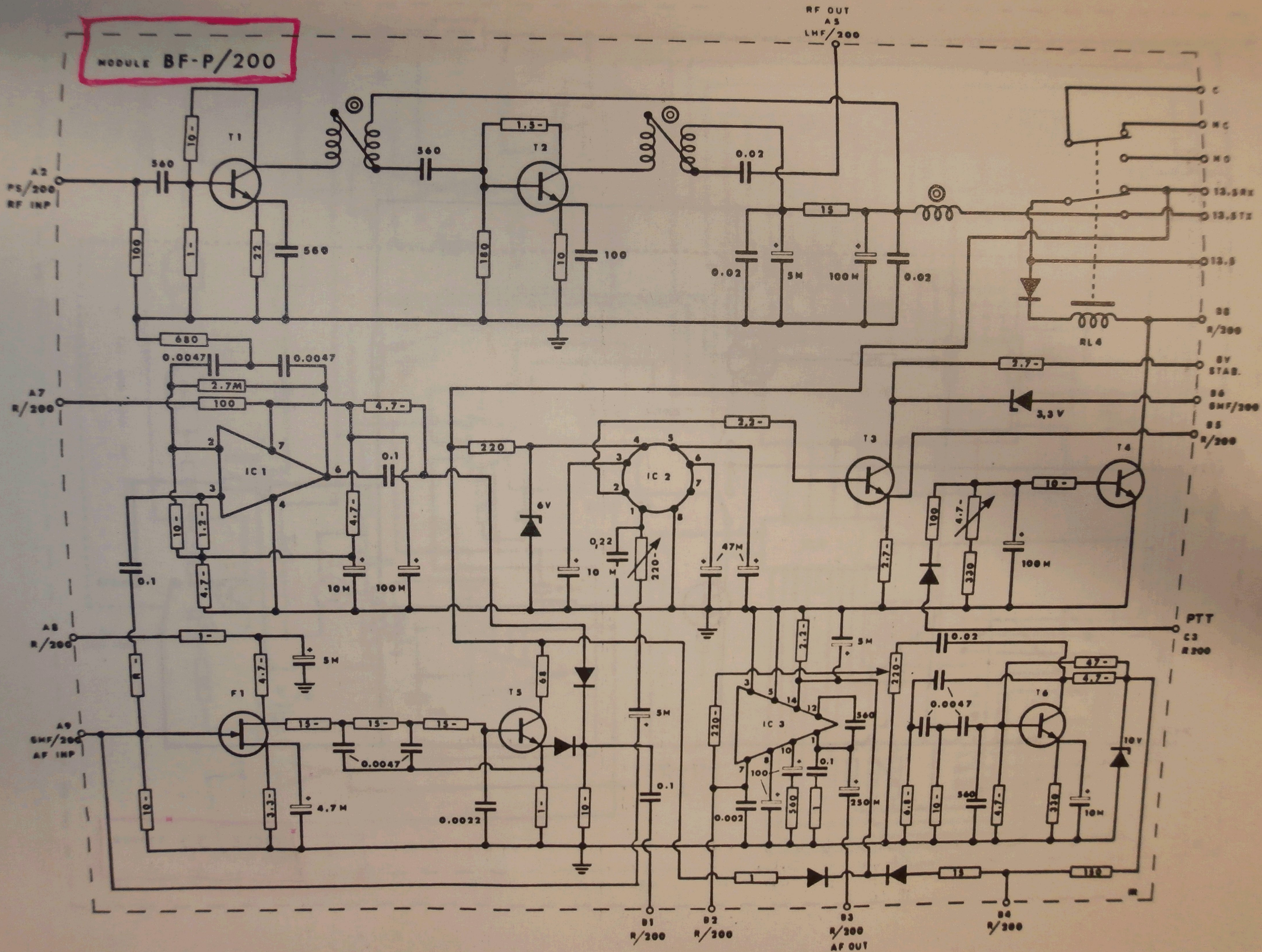
C9
AL-M/200
9 MHz
TX OUT
RX INP

AUX. CONTACT

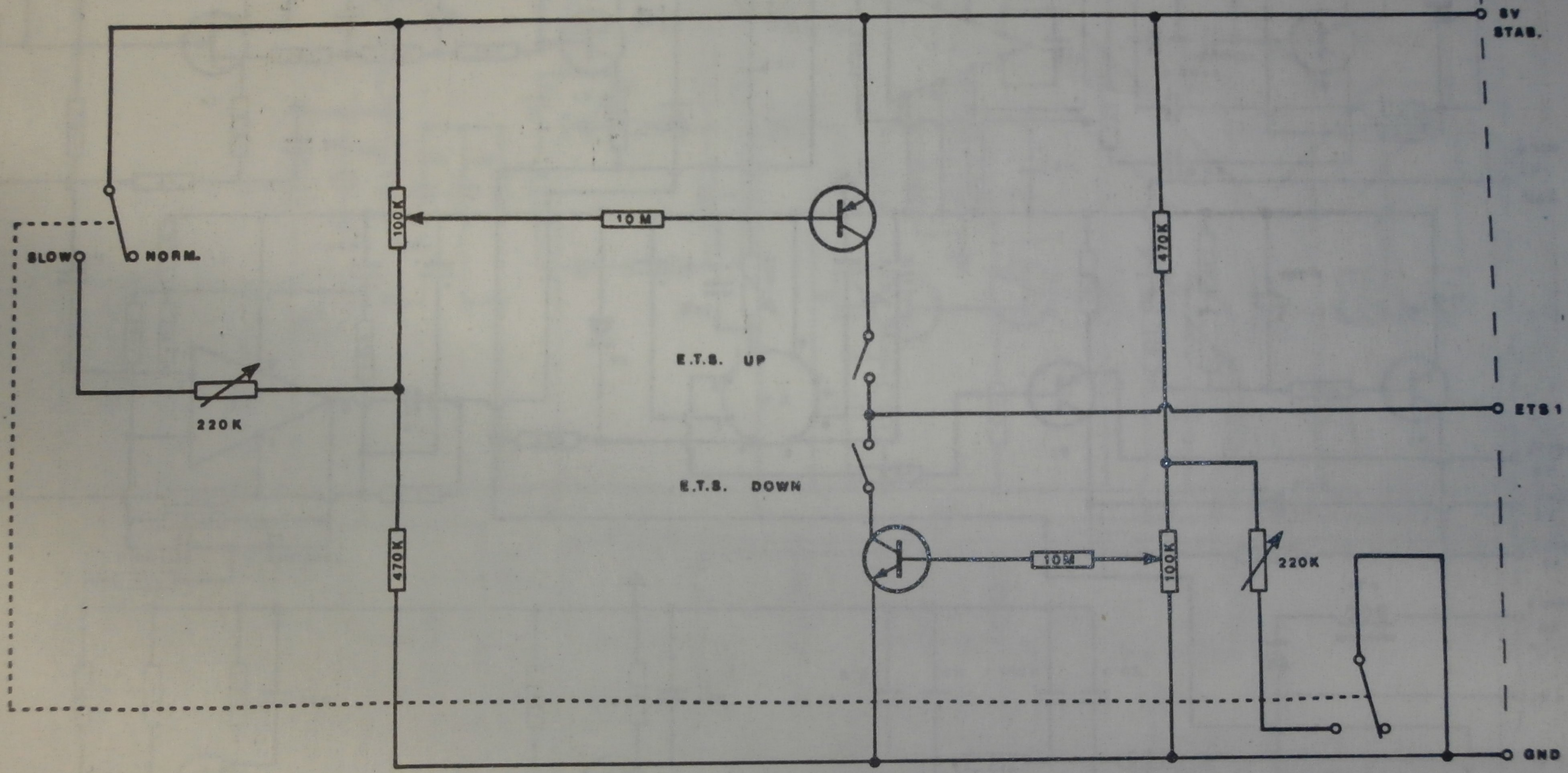


AUXILIAR SOCKET

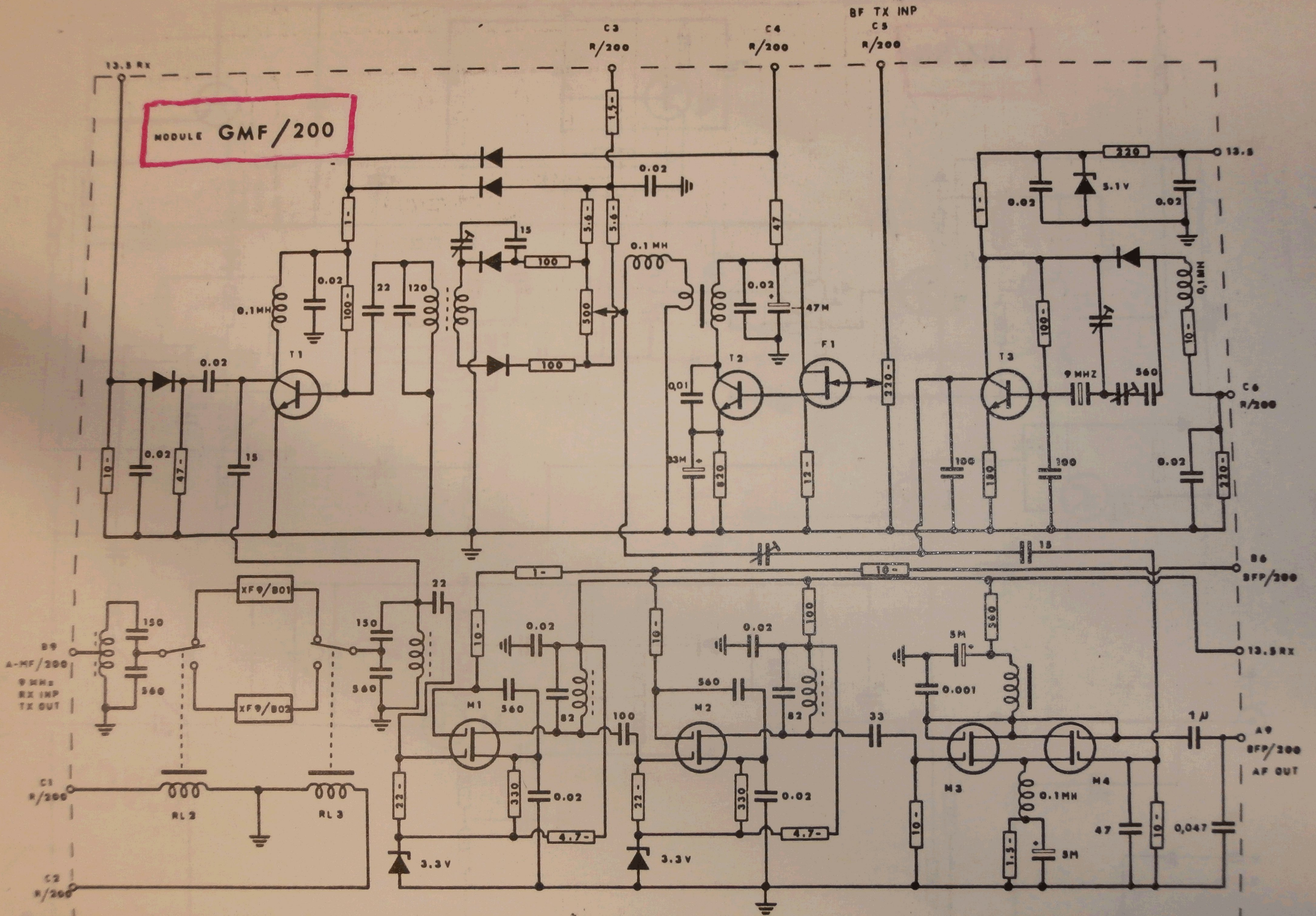
MODULE BF-P/200

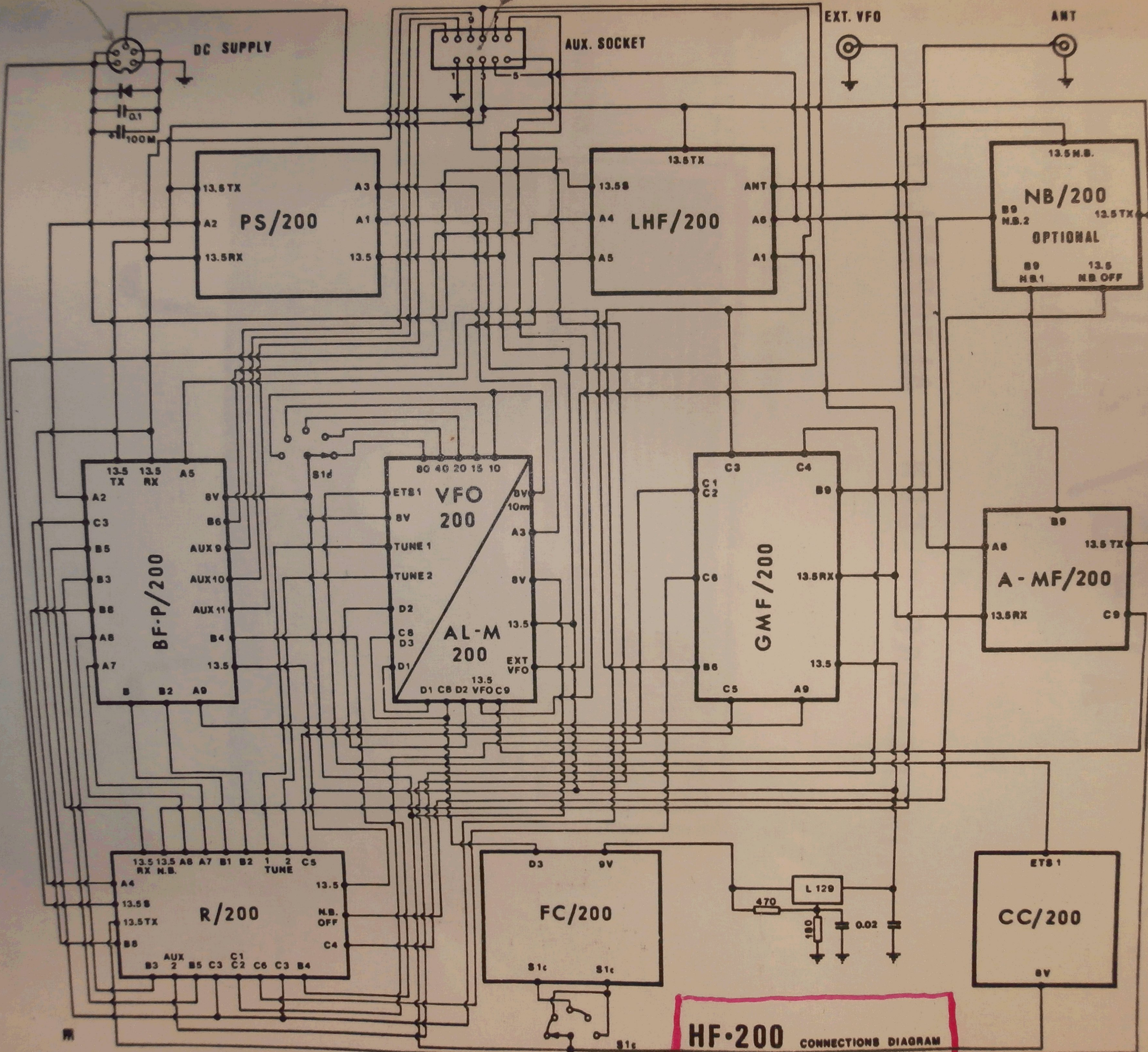


MODULE CC/200



MODULE GMF/200

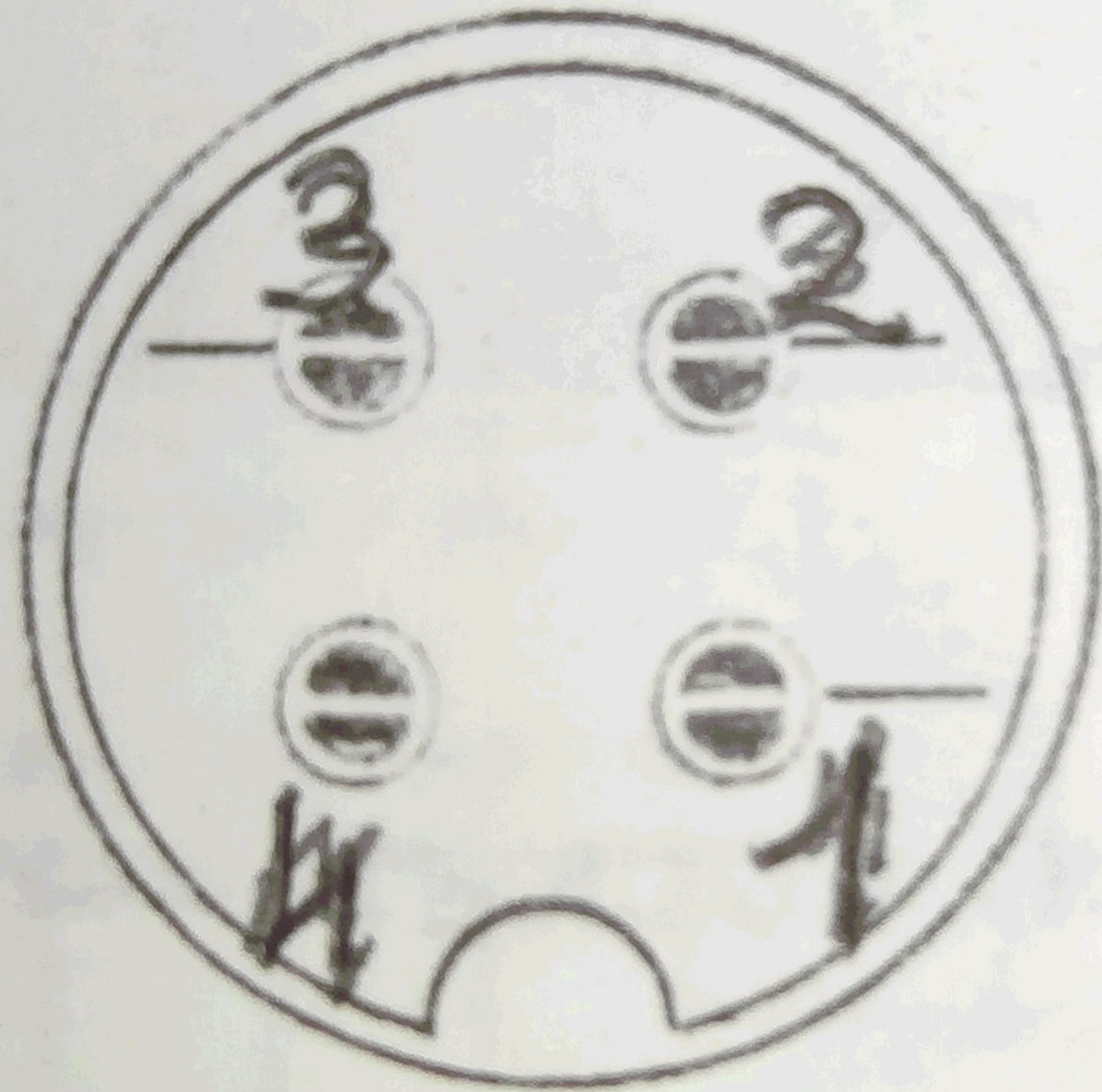




HF-200 CONNECTIONS DIAGRAM

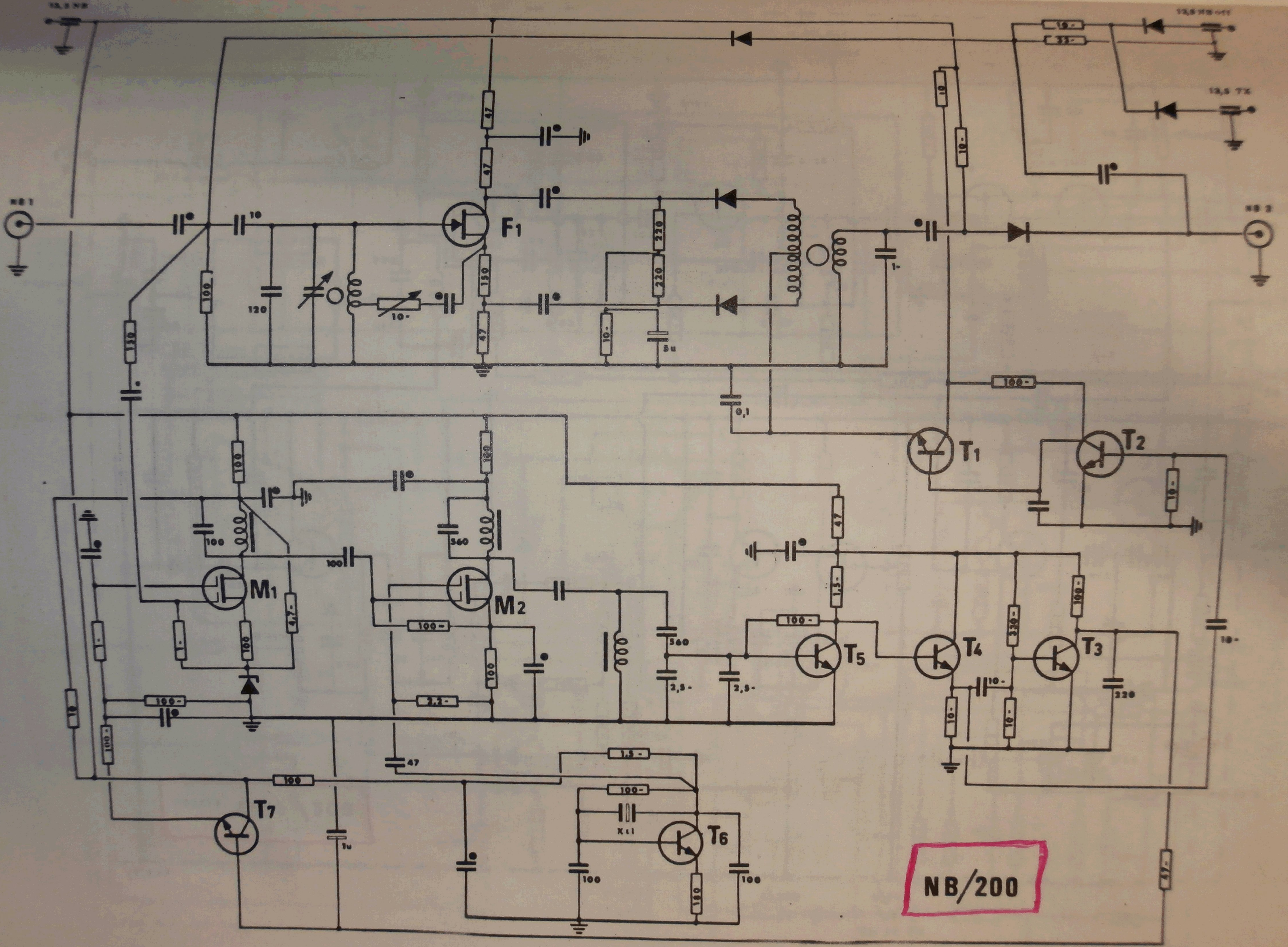
Presas MIC

PTT



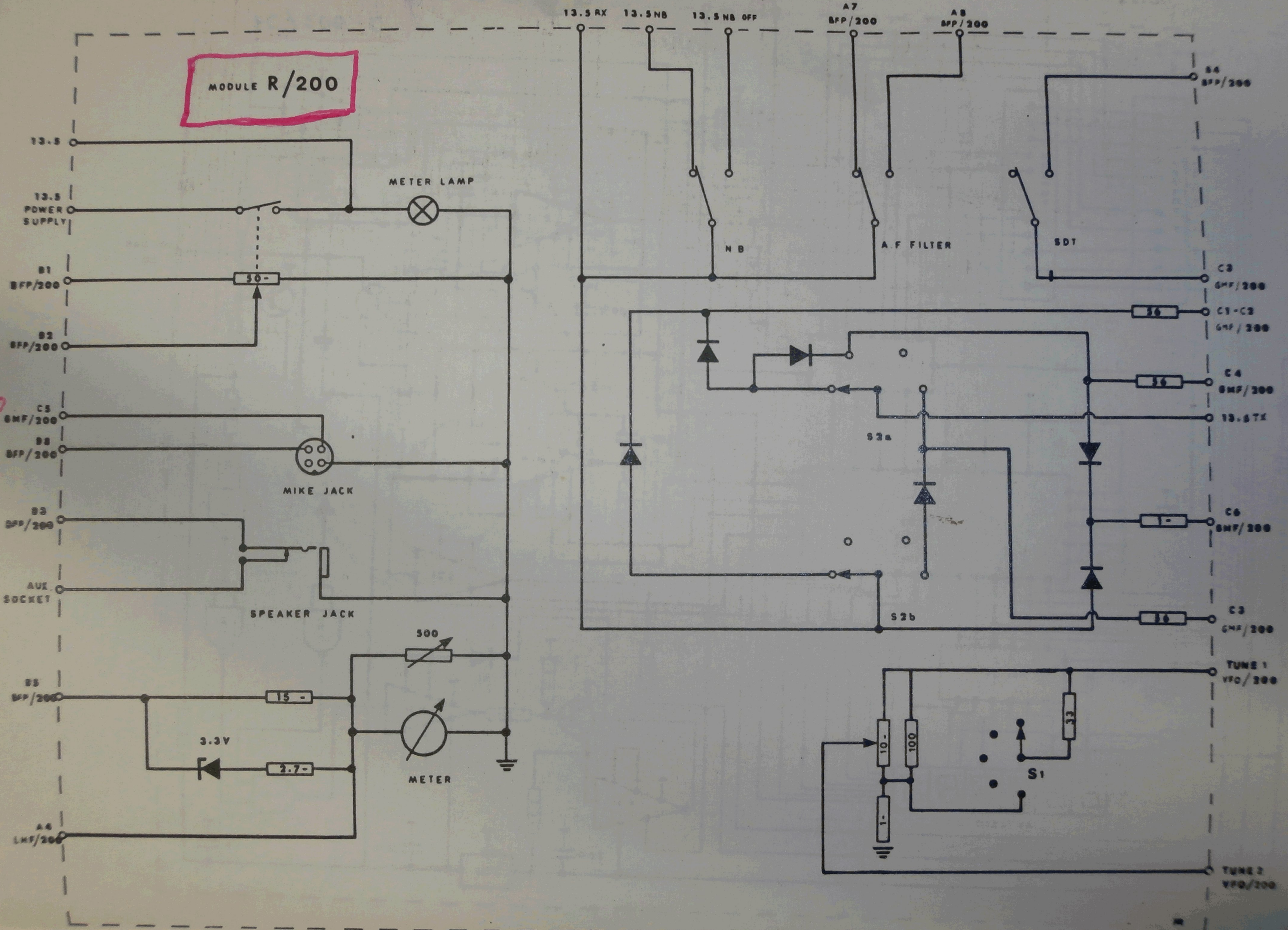
MIC

MASSA



NB/200

MODULE R/200



5
1/200

1/200

