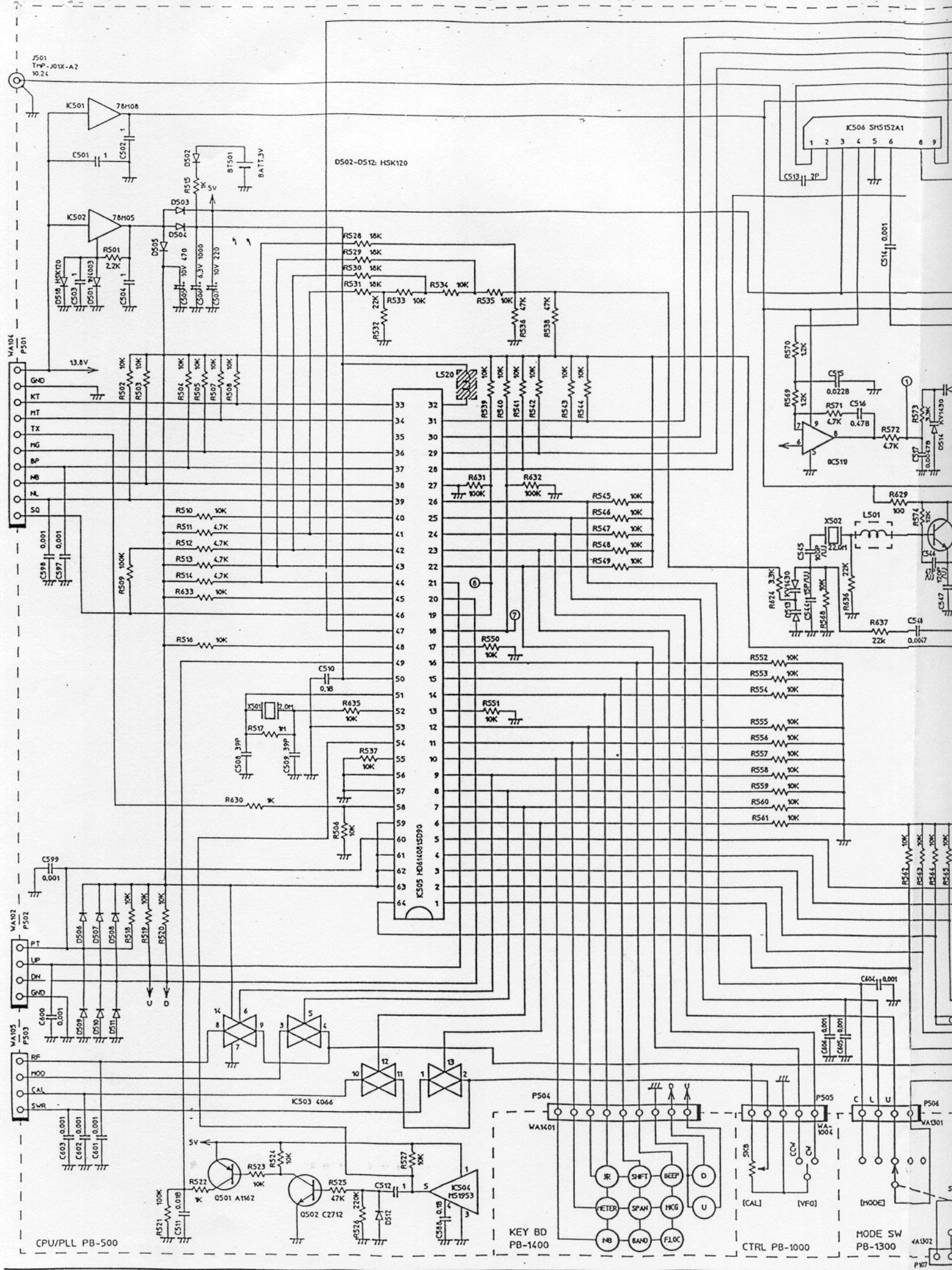


# Shogun

N°	CABLES
1	MODUL
2	MASSE
3	TX
4	UP
5	DOWN



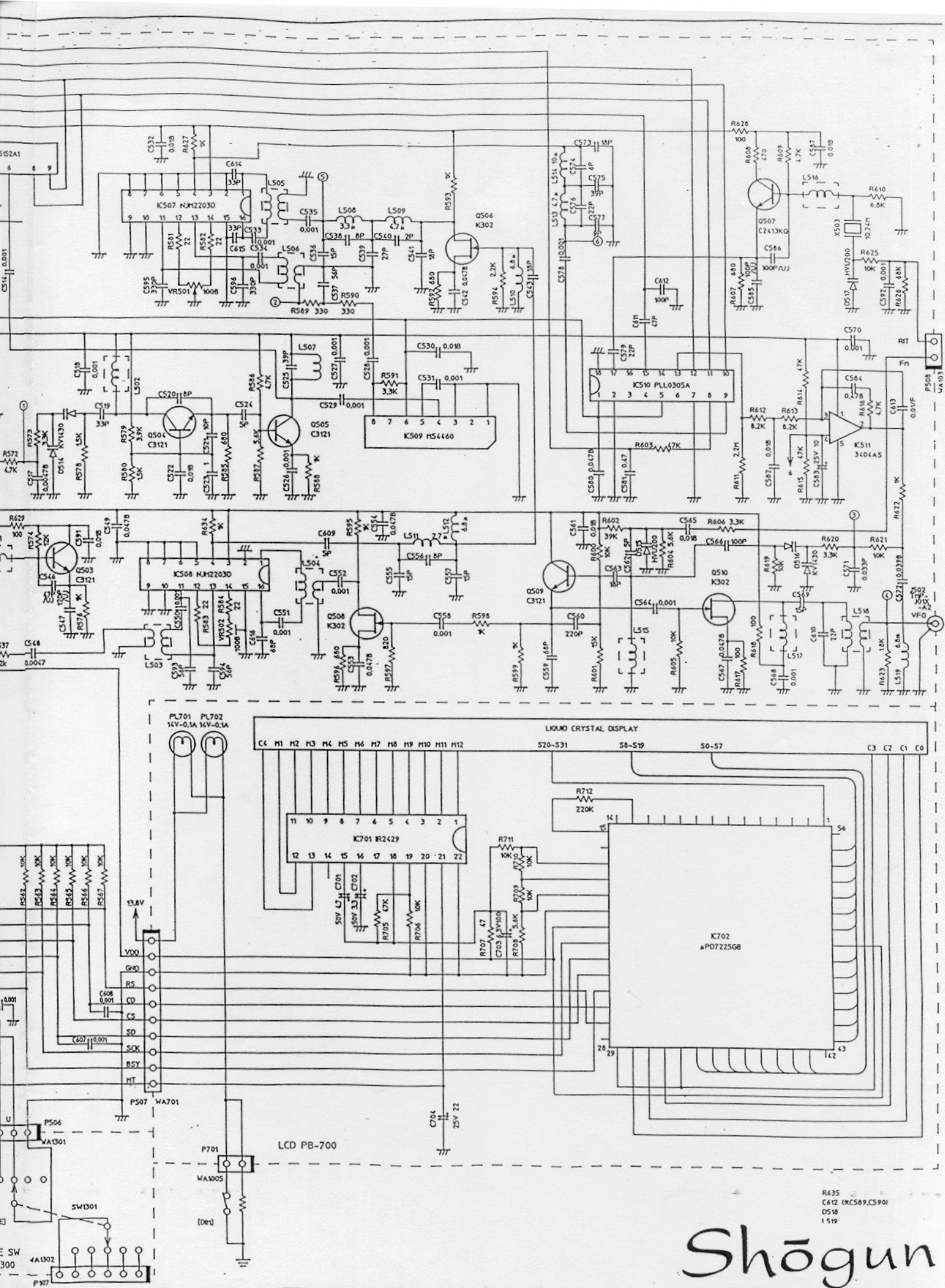


CPU/PLL PB-500

KEY BD PB-1400

CTRL PB-1000

MODE SW PB-1300



R635  
C612 (K589, C590)  
D518  
I 519

# Shogun