

GONSET 6 METER COMMUNICATOR SCHEMATIC



801 S. Main Street Burbank, California

1069-B mbp
 11-11-55

MODEL 3049 (6 VOLT)

COMPONENTS SUCH AS T1, T2, AND OTHERS NOT LISTED BELOW ARE SPECIAL AND SHOULD BE ORDERED BY SPECIAL ORDER. RESISTOR VALUES ARE 10% TOLERANCE. VOLTAGES SHOULD BE MEASURED WITH A DIODE TYPE VOLTMETER EXCEEDING 10 MEGOHMS AND AN ISOLATING RESISTOR IN THE PROBE (SUCH AS RCA VOLTOHMIST). ON SOME MODELS THE RESISTORS ON SWITCH SW1 HAVE BEEN TRANSPOSED. FUSES ARE 2 AMP FOR 115 VOLT OPERATION (LOCATED IN THE HOT LEAD) AND 10 AMP FOR 12 VOLT OPERATION (IN HOT LEAD). NOTE: ON SOME MODELS SPECIAL "TREE" FUSES ARE USED IN AC LINE PLUG (OBTAINABLE AT MOST DIME STORES).

XMTR. CAPACITORS

- C1 10 uuF-10% Ceramic NPO
- C2 50 uuF-10% Ceramic-neg. 750
- C3 .001 uF-GMV disc ceramic
- C4 50 uuF-5% Ceramic-neg. 750
- C5 .01 uF-GMV disc ceramic
- C6 35 uuF APC
- C7 100 uuF-20% Ceramic-neg. 750
- C8 .001 uF-GMV disc Ceramic
- C9 10 uuF-10% Ceramic-neg. 750
- C10 15 uuF APC
- C11 35 uuF APC
- C12 470 uuF-10% Silver Mica
- C13 .001 uF-GMV disc ceramic
- C14 470 uuF-1000 V. Ceramic
- C15 100 uuF-1000 V. Ceramic-Silver Mica
- C16 25 uuF APC
- C17 50 uuF APC
- C18 1.5 uuF-10% Ceramic NPO
- C19 470 uuF-GMV disc ceramic
- C20 100 uuF-5% Ceramic-neg. 750
- C21 100 uuF-5% Ceramic-neg. 750
- C22 .001 uF-20% Disc ceramic
- C23 .001 uF-20% disc ceramic
- C24 .01 uF-GMV disc ceramic
- C25 .004 uF-20% disc ceramic
- C26 .001 uF-20% disc ceramic
- C27 .01 uF-GMV disc ceramic
- C28 25 uF @ 50 V.)
- C29 8 uF @ 450 V.) 85°C Electrolytic
- C30 25 uF @ 50 V.)
- C31 .001 uF-20% disc ceramic
- C32 100 uuF-20% disc ceramic
- C33 .0068 uF-1600 V. Tubular
- C34 .001 uF-20% disc ceramic
- C35 .001 uF-20% disc ceramic
- C36 .001 uF-20% disc ceramic

RCVR. CAPACITORS

- C37 .001 uF-20% disc ceramic
- C38 .001 uF-20% disc ceramic
- C39 .001 uF-20% disc ceramic
- C40 3 uuF-10% Ceramic NPO
- C41 .75 uuF-10% Ceramic NPO
- C42 RF trimmer on C43
- C43 Special 3 Gang
- C44 .001 uF-GMV disc ceramic
- C45 62 uuF-2% Ceramic-neg. 150
- C46 62 uuF-2% Ceramic-neg. 150
- C47 10 uuF-Ceramic NPO
- C48 Oscillator trimmer on C43
- C49 .0047 uF-20% disc ceramic
- C50 .01 uF-GMV disc ceramic
- C51 .01 uF-GMV disc ceramic
- C52 .001 uF-20% disc ceramic
- C53 50 uuF-10% Ceramic NPO
- C54 .01 uF-GMV disc ceramic
- C55 Coupling adjustment in some sets-
Replace with identical value where used.
- C56 .001 uF-20% disc ceramic
- C57 .01 uF-GMV disc ceramic
- C58 .01 uF-GMV disc ceramic
- C59 .01 uF-GMV disc ceramic
- C60 .01 uF-GMV disc ceramic
- C61 Coupling adjustment in some sets-
Replace with identical value where used.
- C62 100 uuF-20% Ceramic GP
- C63 .01 uF-GMV disc ceramic
- C64 .01 uF-GMV disc ceramic
- C65 50 uuF-20% Ceramic GP
- C66 .0047 uF 20% disc ceramic
- C67 .001 uF-GMV disc ceramic
- C68 470 uuF-20% disc ceramic
- C69 .01 uF-GMV disc ceramic
- C70 0.47 uF-200V. paper
- C71 .01 uF-GMV disc ceramic
- C72 .01 uF-GMV disc ceramic

- C73 0.1 uF tubular
- C74 0.1 uF tubular
- C75 .01 uF-GMV disc ceramic
- C76 .001 uF-20% disc ceramic
- C77 .001 uF-GMV disc ceramic
- C78 .001 uF-GMV disc ceramic
- C79 .01 uF-GMV disc ceramic
- C80 .01 uF-GMV disc ceramic
- C81 .01 uF-GMV disc ceramic
- C82 .001 uF-GMV disc ceramic
- C83 .001 uF-GMV disc ceramic
- C84 .01 uF-GMV disc ceramic
- C85 .001 uF-GMV disc ceramic
- C99 Coupling adjustment on some sets-
Replace with identical value where used.

POWER SUPPLY CAPACITORS

- C86 .001 uF-20% disc ceramic
- C87 .001 uF-20% disc ceramic
- C88 .001 uF-20% disc ceramic
- C89 .001 uF-20% disc ceramic
- C90 .001 uF-20% disc ceramic
- C91 .01 uF-GMV disc ceramic
- C92 .001 uF-20% disc ceramic
- C93 .001 uF-20% disc ceramic
- C94 .001 uF-20% disc ceramic
- C95 .05 uF 1600V. tubular
- C96 12 uF 450V. 85°C Electrolytic
- C97 30 uF 450V. 85°C Electrolytic
- C98 0.1 uF Tubular

XMTR. RESISTORS

- R1 100 K 1/2 watt
- R2 82 ohm 1/2 watt
- R3 100K-1 watt

TIC DIAGRAM

SYMBOL DESIGNATION. ALL
HAVING AN INPUT RESISTANCE
ME UNITS, SECTIONS F AND
LINE PLUG), 20 AMP FOR 6
AL NOMA ELECTRIC "CHRISTMAS

| CONNECTOR | MATING CONNECTOR (Not Furnished) |
|-----------|-------------------------------------|
| J 1 | AMPHENOL #83-1SP |
| J 3 | PL-68 |
| J 4 | CINCH #M-93 |

R4 18 K $\frac{1}{2}$ watt
R5 27 K $\frac{1}{2}$ watt
R6 82 ohm $\frac{1}{2}$ watt
R7 4.7 megohm $\frac{1}{2}$ watt
R8 4.7 megohm $\frac{1}{2}$ watt
R9 22 K $\frac{1}{2}$ watt
R10 4.7 K $\frac{1}{4}$ watt-2 in parallel
R11 22 K 2 watt
R12 27 K $\frac{1}{2}$ watt
R13 100 K $\frac{1}{2}$ watt
R14 1.2 megohm $\frac{1}{2}$ watt
R15 680 ohm $\frac{1}{2}$ watt
R16 47 K $\frac{1}{2}$ watt
R17 100 K Pot. A.F.T.
R18 100 K $\frac{1}{2}$ watt
R19 270 K $\frac{1}{2}$ watt
R20 3.9 K $\frac{1}{2}$ watt
R21 470 K $\frac{1}{2}$ watt
R22 470 K $\frac{1}{2}$ watt
R23 12 K $\frac{1}{2}$ watt
R24 820 ohm 1 watt
R25 390 ohm 1 watt
R26 39 K $\frac{1}{2}$ watt
R27 39 K $\frac{1}{2}$ watt
R28 1.2 megohm $\frac{1}{2}$ watt
R29 270 K $\frac{1}{2}$ watt

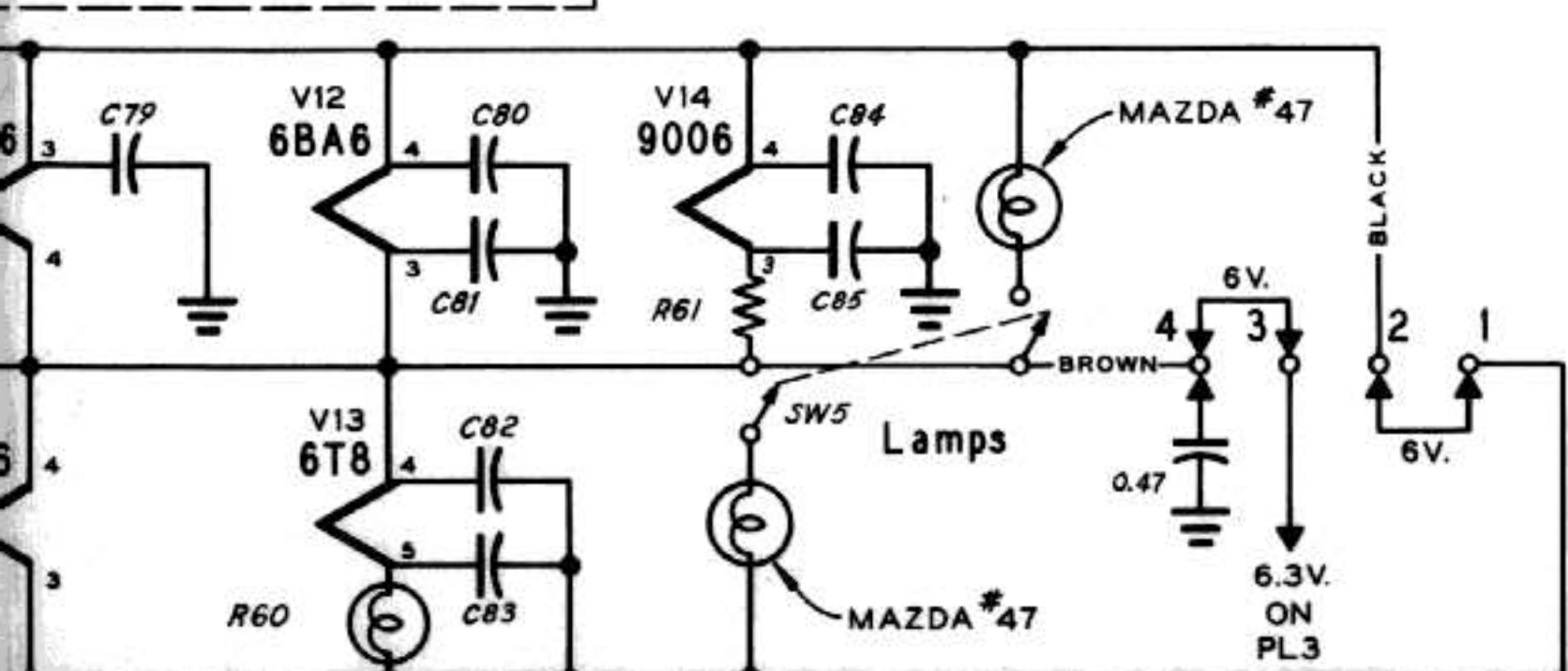
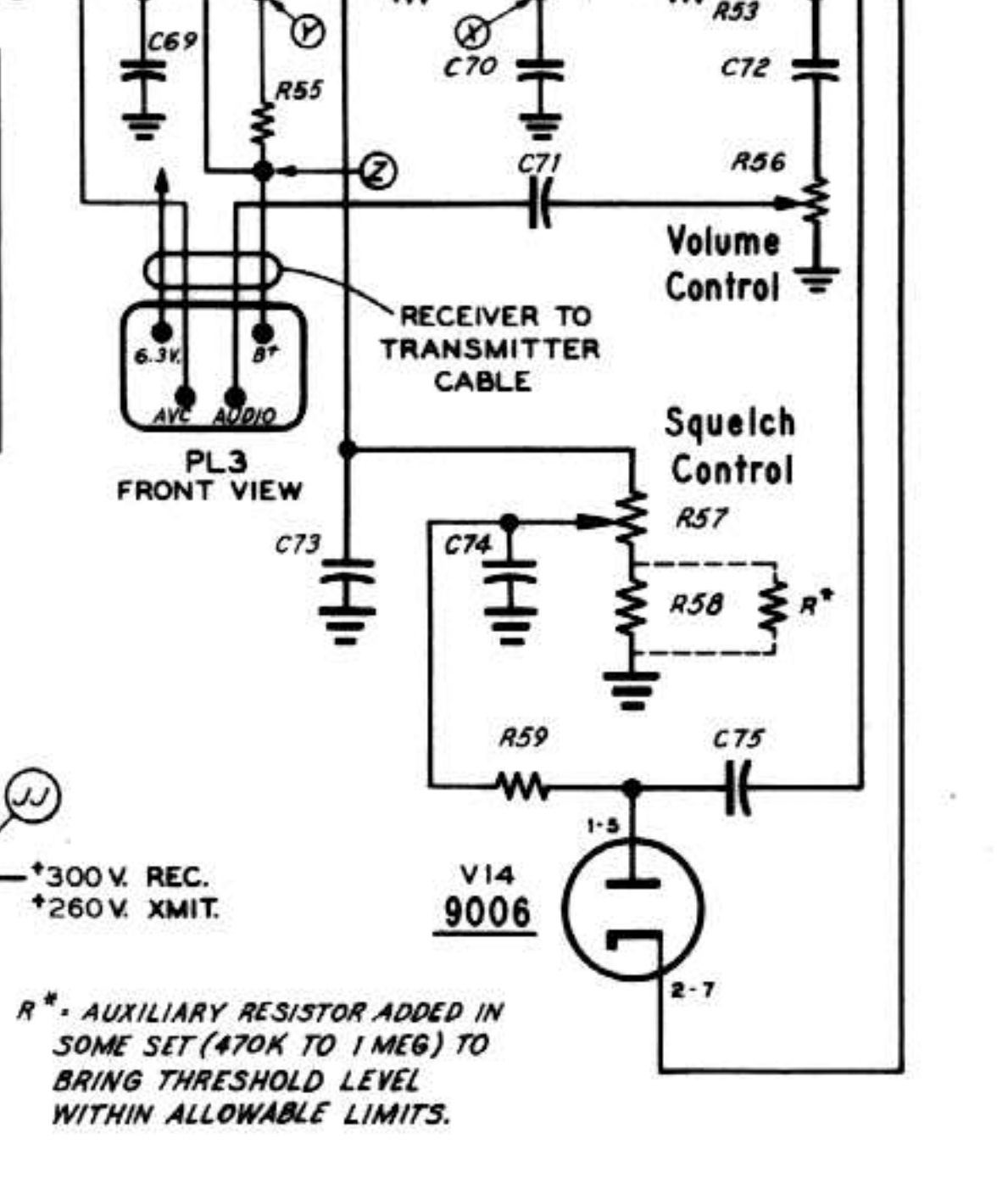
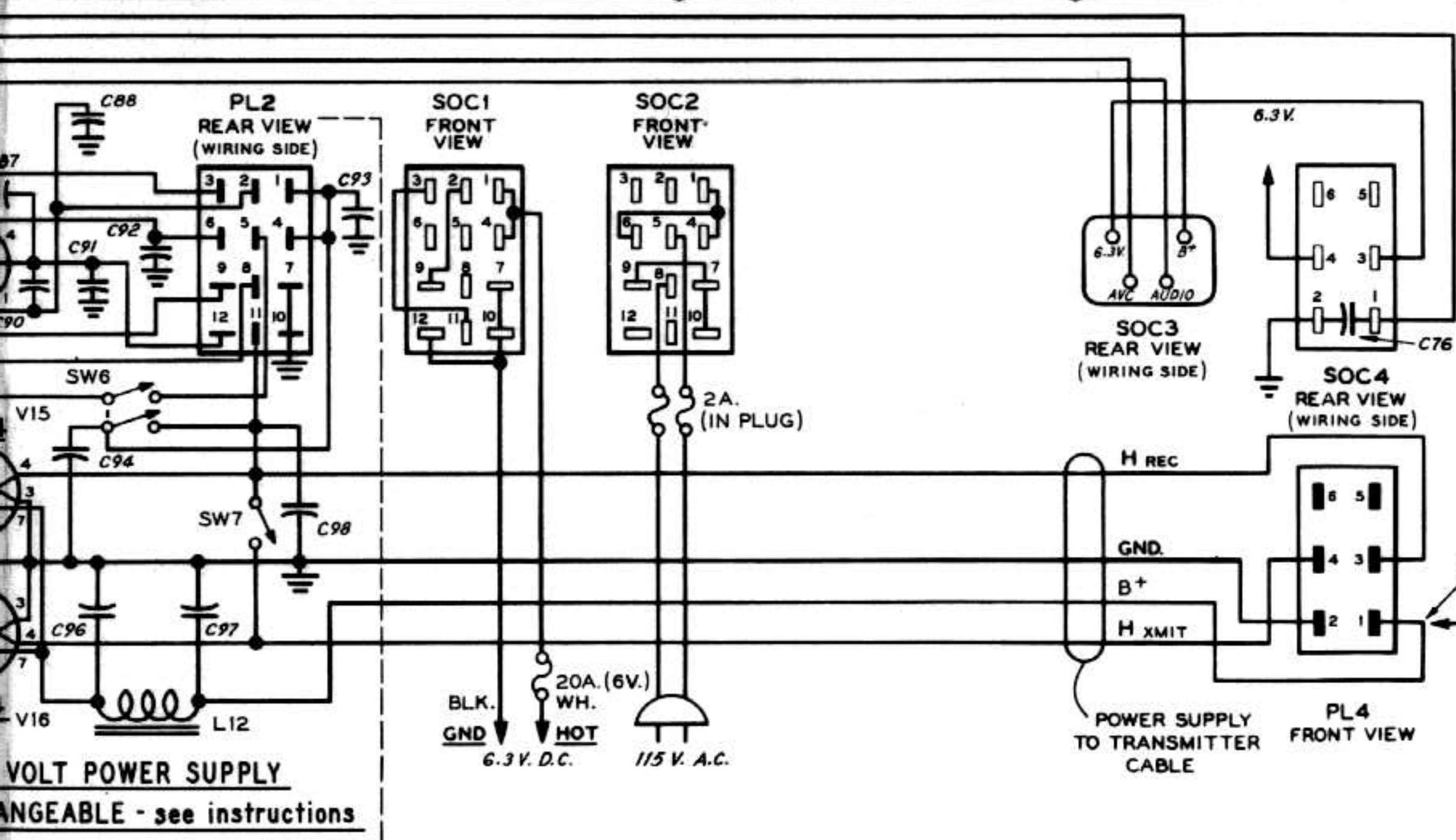
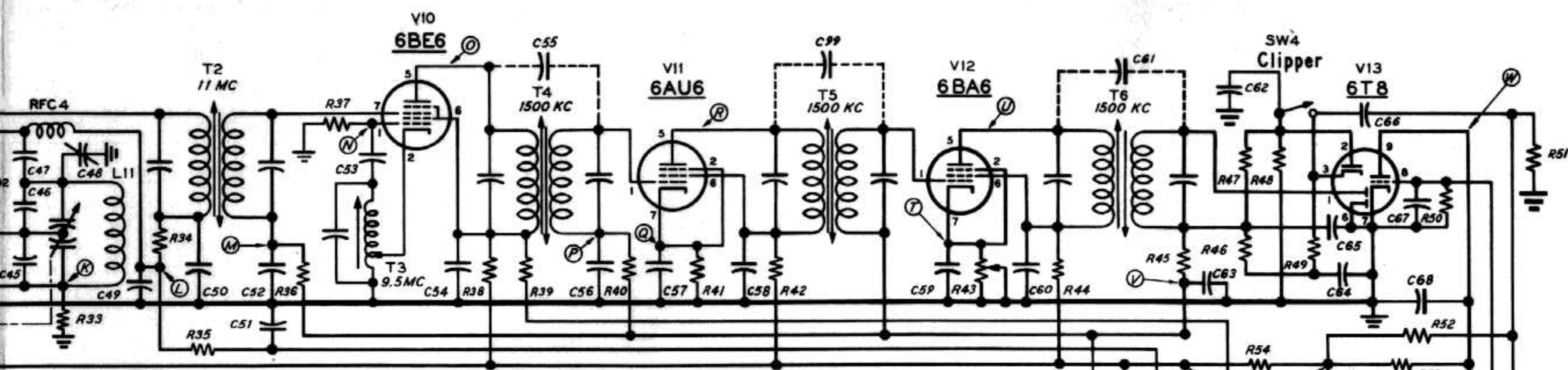
RCVR. RESISTORS

R30 120 ohm $\frac{1}{2}$ watt
R31 470 K $\frac{1}{2}$ watt
R32 4.7 K $\frac{1}{2}$ watt
R33 10 K $\frac{1}{2}$ watt
R34 39 K $\frac{1}{2}$ watt
R35 22 K 2 watt
R36 2.2 megohm $\frac{1}{2}$ watt

R37 100 K $\frac{1}{2}$ watt
R38 10 K 1 watt
R39 220 K $\frac{1}{2}$ watt
R40 270 K $\frac{1}{2}$ watt
R41 150 ohm $\frac{1}{2}$ watt
R42 10 K 1 watt
R43 100-1000 ohm variable
R44 10 K 1 watt
R45 1.2 megohm $\frac{1}{2}$ watt
R46 1 megohm $\frac{1}{2}$ watt
R47 270 K $\frac{1}{2}$ watt
R48 270 K $\frac{1}{2}$ watt
R49 1 megohm $\frac{1}{2}$ watt
R50 2.2 megohm $\frac{1}{2}$ watt
R51 1 megohm $\frac{1}{2}$ watt
R52 1 megohm $\frac{1}{2}$ watt
R53 150 K $\frac{1}{2}$ watt
R54 100 K $\frac{1}{2}$ watt
R55 4.7 K $\frac{1}{4}$ watt
R56 250 K Pot-Audio Taper
R57 500 K Pot-Linear Taper
R58 470 K $\frac{1}{2}$ watt
R59 1 megohm $\frac{1}{2}$ watt
R60 Masda #63 lamp
R61 15 ohm $\frac{1}{2}$ watt

J1 ANTENNA CONNECTOR - AMPHENOL 83-1R
J2 RECEIVE ANTENNA JACK - CINCH 8611
J3 MICROPHONE JACK - SWITCHCRAFT JK-43
J4 AUXILIARY SPEAKER JACK - CINCH 8171
J5 PHONE JACK - SWITCHCRAFT C-12A
L12 FILTER CHOKE - MERIT #C2974
PL1 RECEIVE ANTENNA PLUG - CINCH M-93
PL2 POWER SUPPLY PLUG - JONES P312AB
PL3 RECEIVE POWER PLUG - CINCH 2770
PL4 TRANSMIT POWER PLUG - JONES P306-FHE
RFC1 600 uH
RFC2 18 uH
RFC3 5.4 uH
RFC4 5.4 uH
RFC5 1.9 uH
SOC1] MAIN POWER SOCKET - JONES 312CCT
SOC2]
SOC3 RECEIVE POWER SOCKET - CINCH 2765
SOC4 TRANSMIT POWER SOCKET - JONES S-306-AB
SW1 TRANSMIT-RECEIVE SWITCH - SPECIAL
SW2 TUNING EYE SWITCH - SPECIAL
SW3 MIKE SELECTOR SWITCH - D.P.D.T. - WIRT #726
SW4 CLIPPER SWITCH - S.P.S.T. - WIRT #723
SW5 PILOT LIGHT SWITCH - WIRT #723
SW6 POWER SWITCH - D.P.S.T. - CARLING #216-6 OR SMITH #522
SW7 TRANS. FILAMENT SWITCH - S.P.S.T. - CARLING #110 OR SMITH #510
SPEAKER - STD. 4 INCH, 1.47 oz MAGNET
VIBRATOR - MALLORY 294, 625 OR G625C

| | | |
|----|-----|---------|
| | | |
| A | 1.3 | |
| B | 95 | |
| C | 160 | |
| D | 1.5 | |
| E | -80 | |
| F | -70 | |
| G | 165 | |
| H | | 1.0 |
| I | | 1.5 |
| J | | 52 |
| K | | -4.2 |
| L | | 143 |
| M | | -1.2 |
| N | | -21.5 |
| O | | 102 |
| P | | -1.2 |
| Q | | .7 |
| R | | 110 |
| S | | DELETED |
| T | | .7-5 |
| U | | 95 |
| V | | -1.2 |
| W | | 65 |
| X | | 125 |
| Y | | 190 |
| Z | | 300 |
| AA | 185 | 300 |
| BB | 0.9 | 25 |
| CC | 1.3 | 1.6 |
| DD | 100 | 145 |
| EE | 225 | 290 |
| FF | 12 | 21 |
| GG | 235 | 295 |
| HH | 255 | 300 |
| II | 255 | 260 |
| JJ | 255 | 300 |



Shown Jumpered for 6 Volts
RECEIVER FILAMENTS

6 METER COMMUNICATOR
49 - 54 MC. AM
MODEL 3049 (6 Volt)

This Communicator contains
CODE 'C' - Transmitter
CODE 'D' - Receiver
CODE 'A' - Power Supply

| VOLTAGE CHART | |
|---|--|
| All voltages measured with VTVM having input resistance of at least 10 megohms. (50 ohm input, no signal) | |