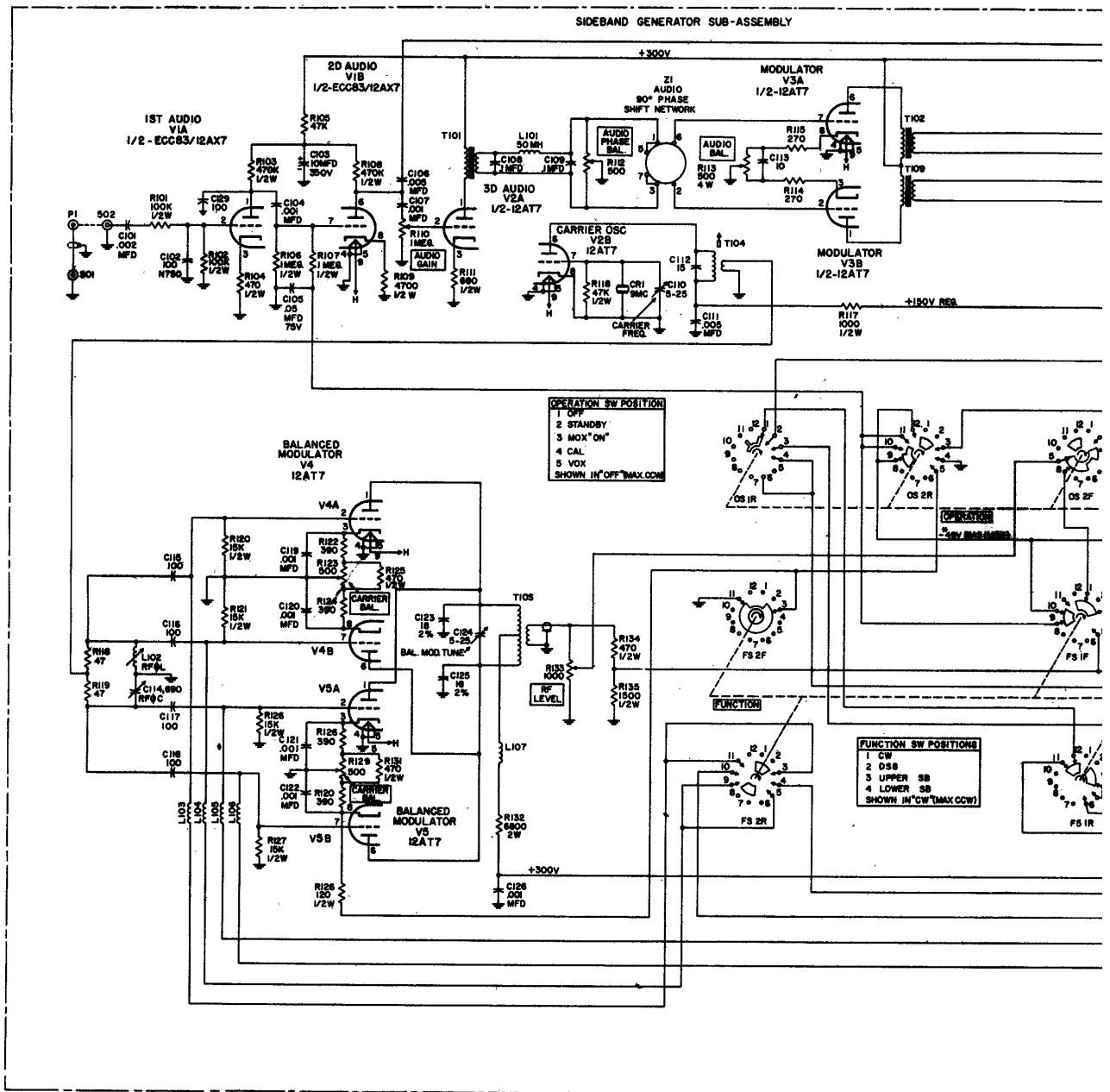


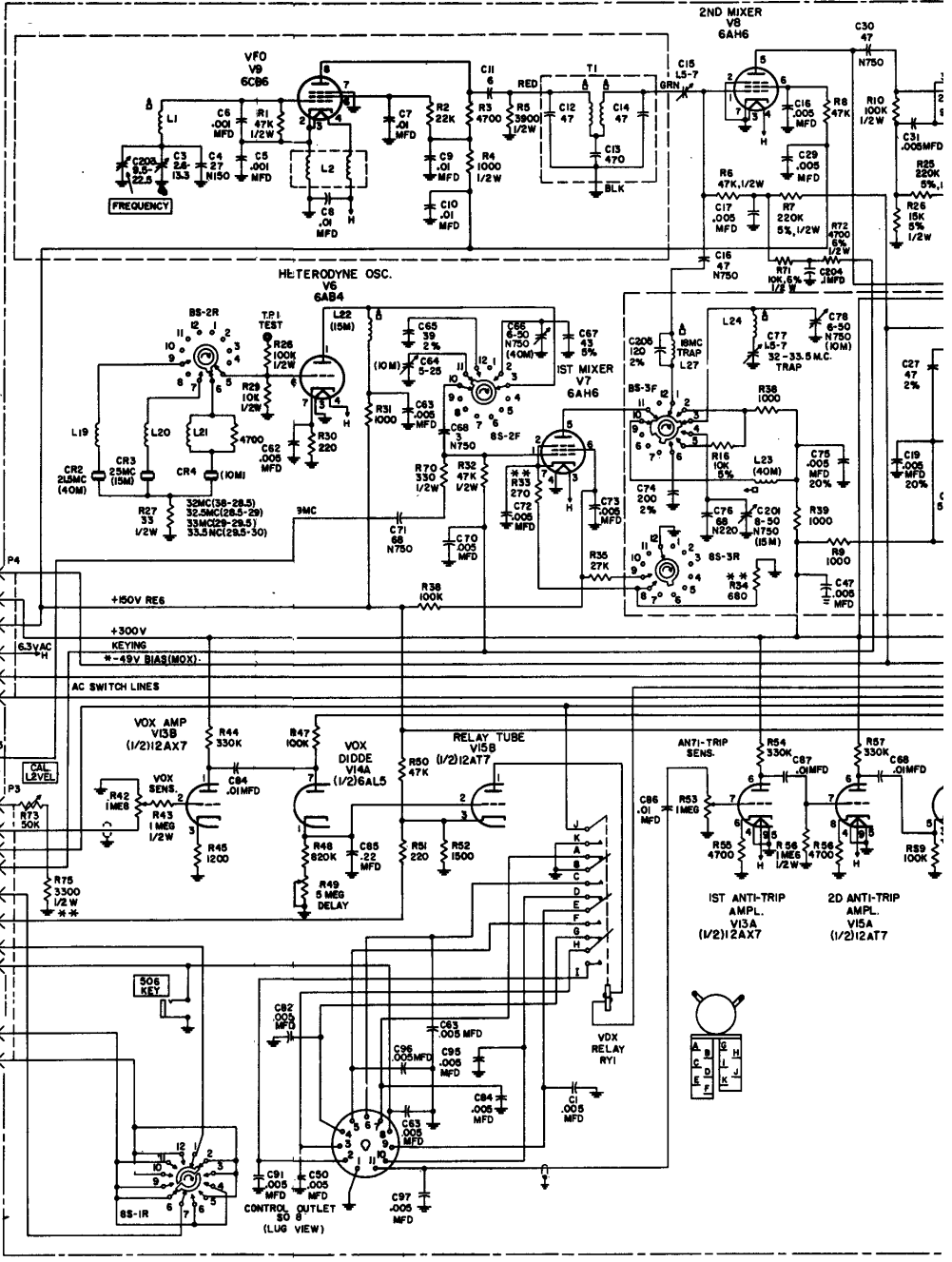
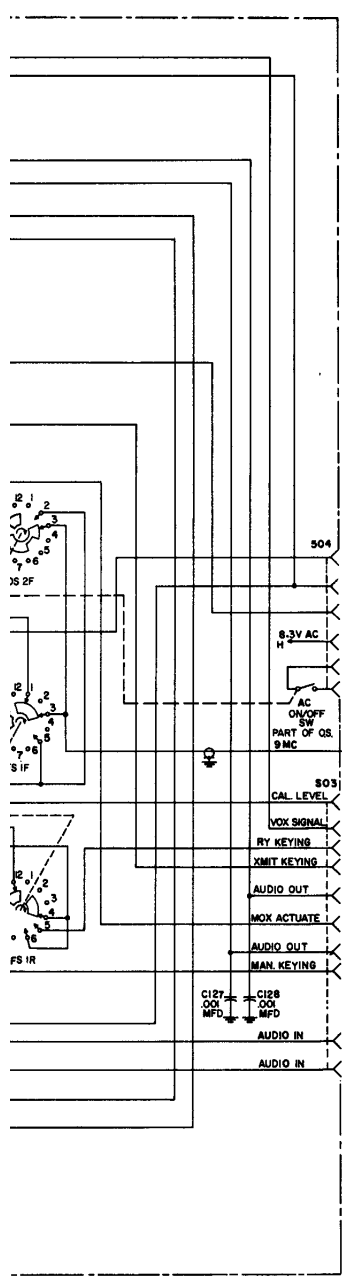
SIDE BAND GENERATOR SUB-ASSEMBLY



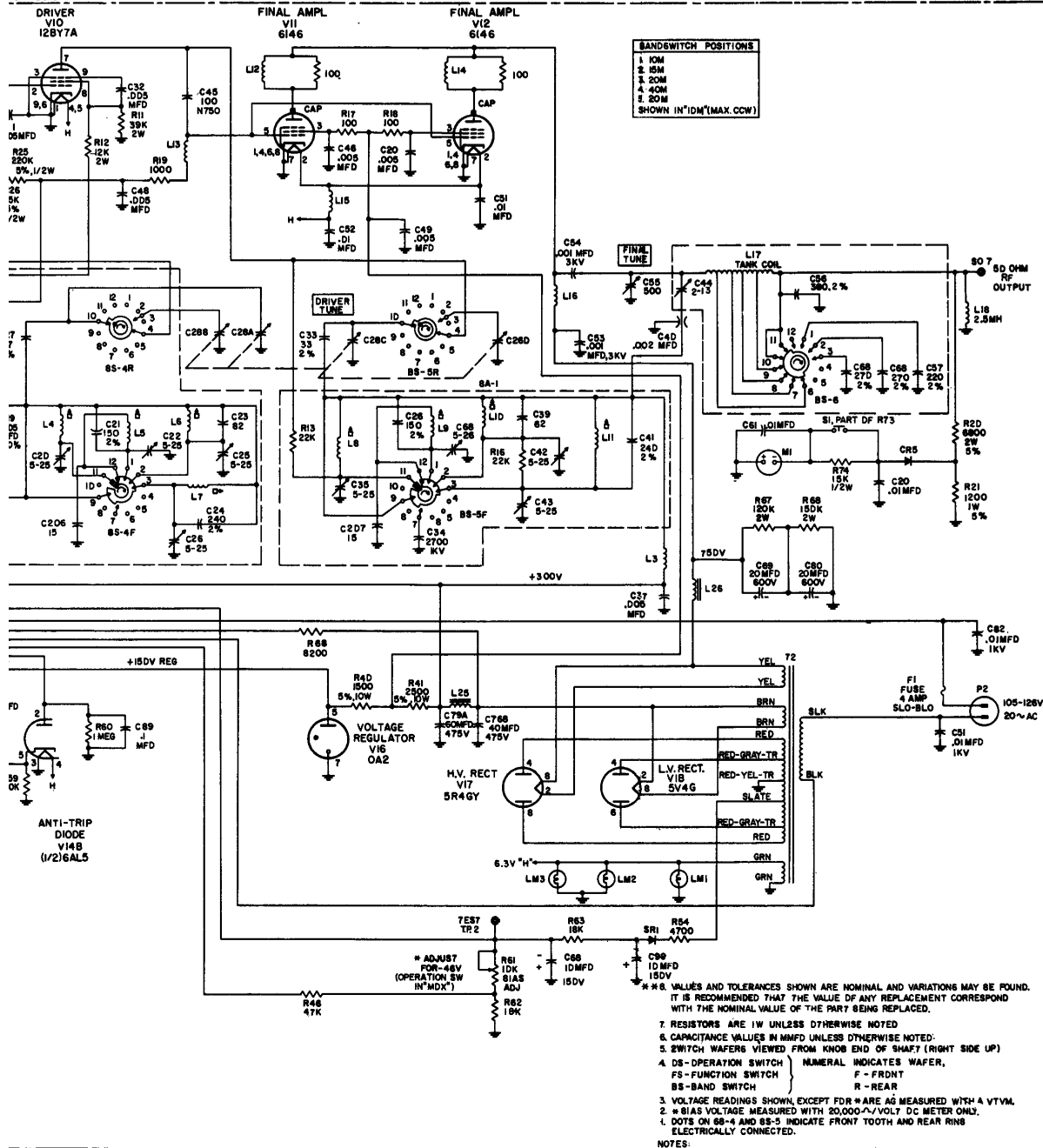
OPERATION SW POSITION
 1 OFF
 2 STANDBY
 3 MAX' ON
 4 CAL
 5 VOX
 SHOWN IN "OFF" MAX. CCW

FUNCTION SW POSITIONS
 1 CW
 2 USB
 3 UPPER SB
 4 LOWER SB
 SHOWN IN "CW" MAX. CCW

LAST RESISTOR - R137
 LAST CAPACITOR - C129



CHASSIS



BANDSWITCH POSITIONS

1. 10M
2. 15M
3. 20M
4. 40M
5. 20M

SHOWN IN "IDM" (MAX. CCW)

MAIN CHASSIS
LAST RESISTOR - R74
LAST CAPACITOR - C20

- NOTES:
1. RESISTORS ARE 1W UNLESS OTHERWISE NOTED
 2. CAPACITANCE VALUES IN MMFDS UNLESS OTHERWISE NOTED.
 3. SWITCH WAFERS VIEWED FROM KNOB END OF SHAFT (RIGHT SIDE UP)
 4. DS - OPERATION SWITCH } NUMERAL INDICATES WAFER,
FS - FUNCTION SWITCH } F - FRONT
BS - BAND SWITCH } R - REAR
 5. VOLTAGE READINGS SHOWN EXCEPT FDR ARE AS MEASURED WITH A VTVM.
 6. *BIAS VOLTAGE MEASURED WITH 20,000-Ω/VOLTS DC METER ONLY.
 7. DOTS ON BS-4 AND BS-5 INDICATE FRONT TOOTH AND REAR RINGS ELECTRICALLY CONNECTED.