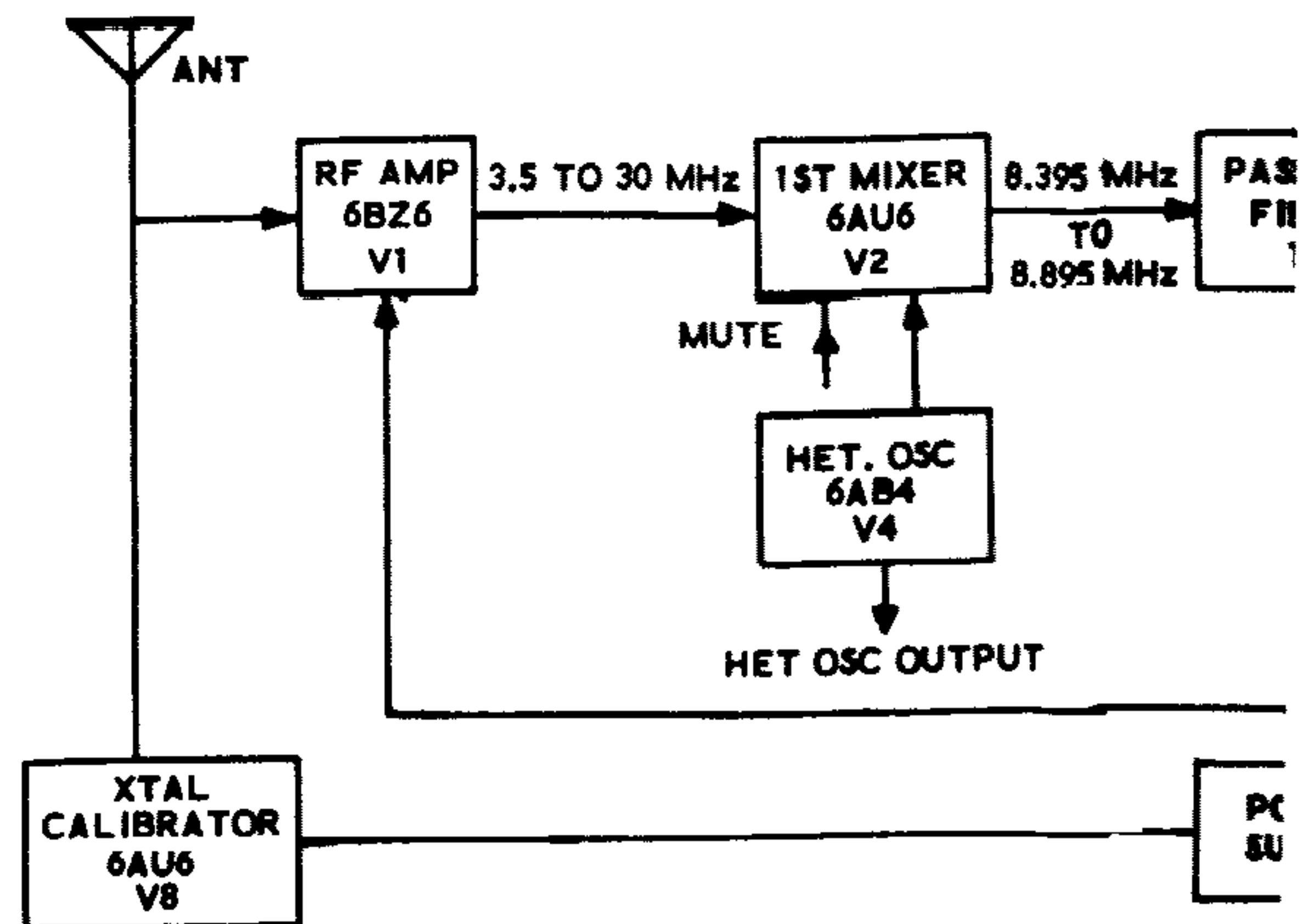
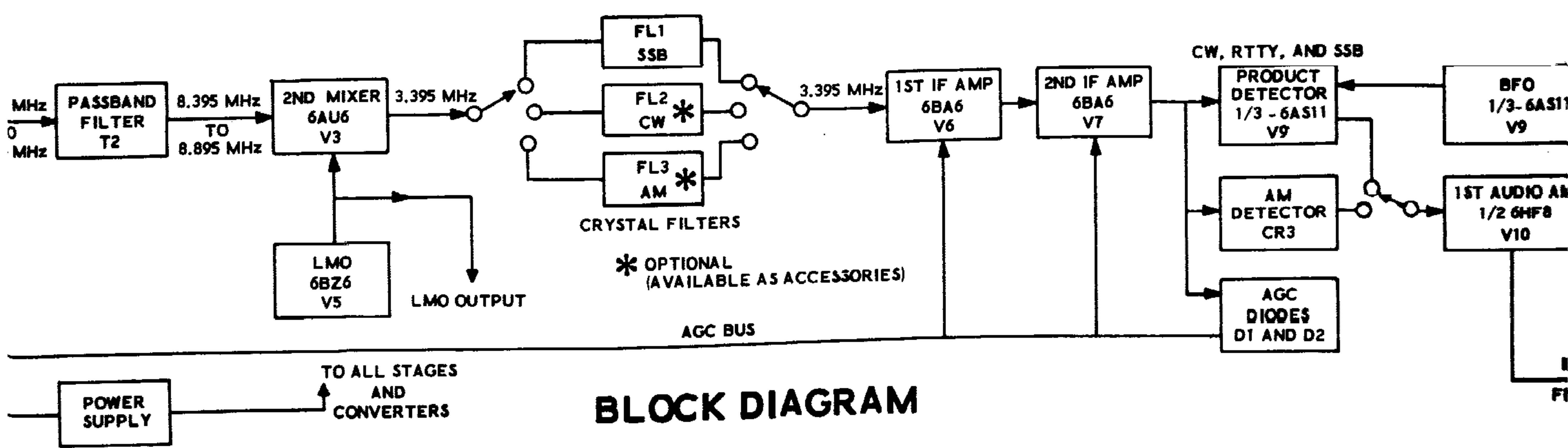
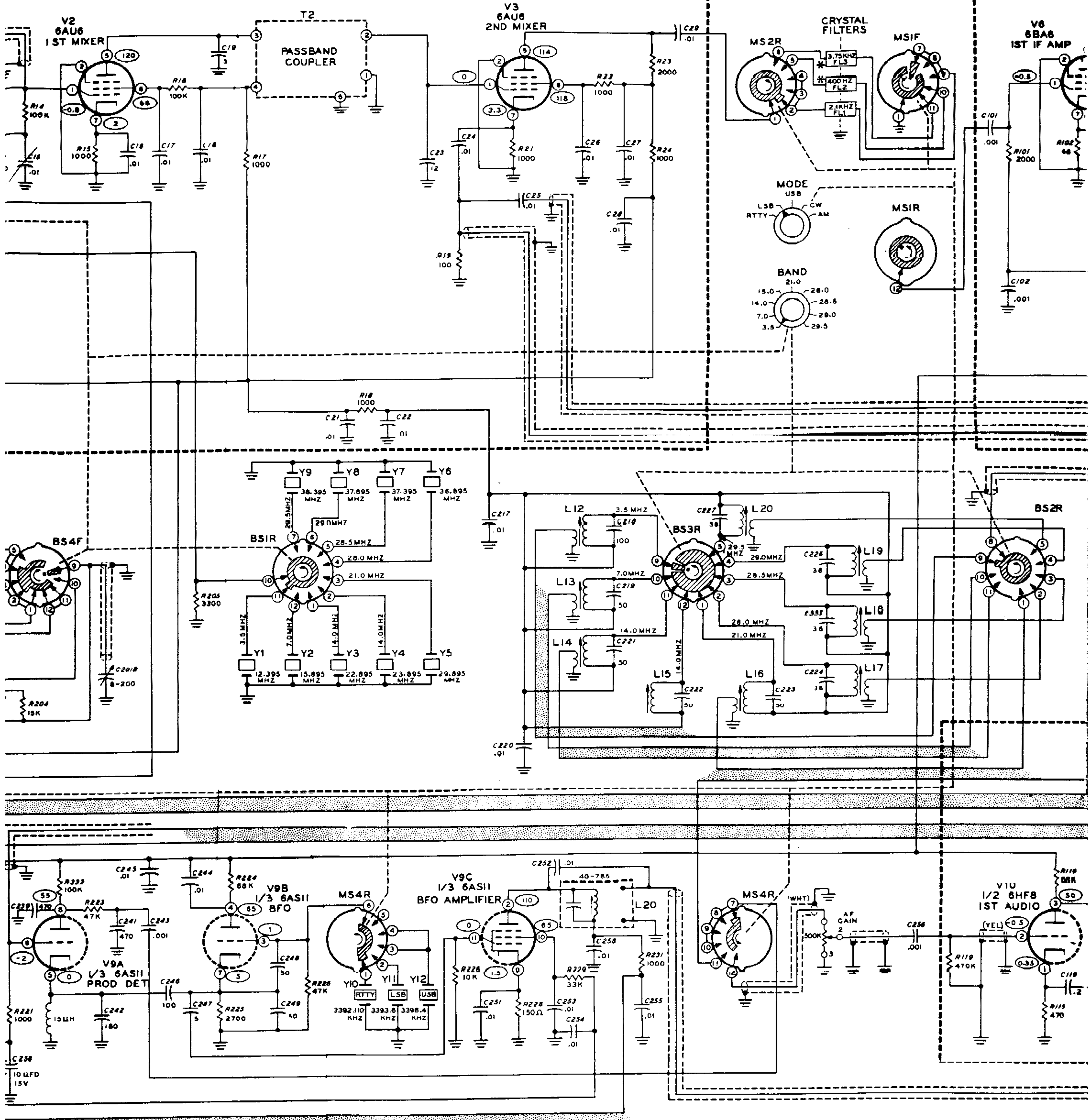


- ① 8.3VAC VHF NO 2
- ② GND
- ③ 140 VDC VHF NO 2
- ④ AGC
- ⑤ NC
- ⑥ 140 VDC VHF NO 1
- ⑦ GND
- ⑧ 8.3 VAC VHF NO 1

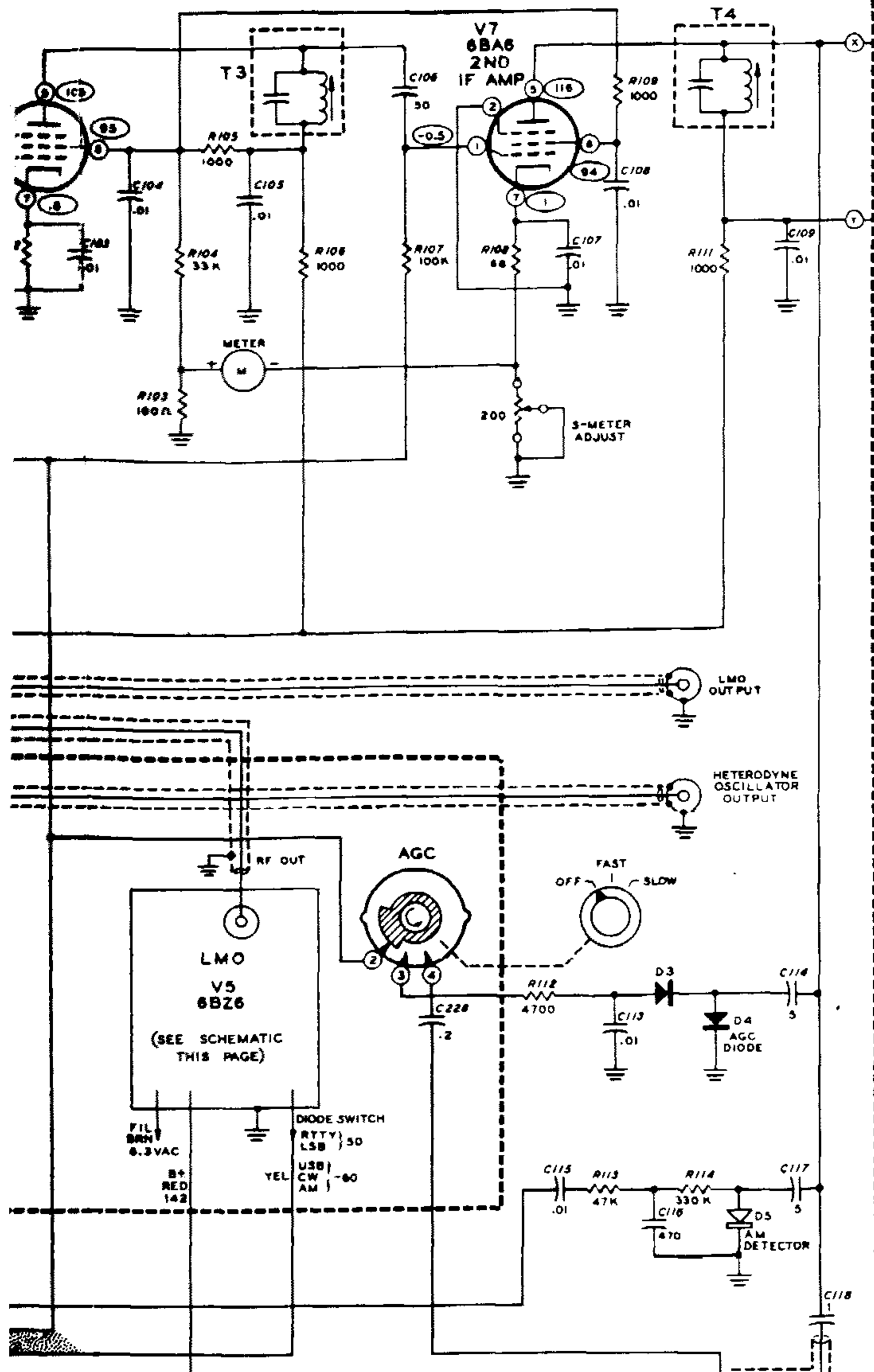


RF CIRCUIT BOARD



BLOCK DIAGRAM

IF CIRCUIT BOARD



SCHEMATIC OF THE HEATHKIT® SSB AMATEUR RECEIVER MODEL SB-301

- RESISTOR AND CAPACITOR NUMBERS ARE IN THE FOLLOWING GROUPS:
 0-99 PARTS MOUNTED ON THE RF CIRCUIT BOARD
 100-199 PARTS MOUNTED ON THE IF CIRCUIT BOARD
 200-299 PARTS MOUNTED ON THE CHASSIS
- ALL RESISTORS ARE 1/2 WATT UNLESS MARKED OTHERWISE. RESISTOR VALUES ARE IN OHMS (K = 1000, MEG = 1,000,000).
- CAPACITOR VALUES LESS THAN 1 ARE IN μfd . VALUES OF 1 AND ABOVE ARE IN μf UNLESS THEY ARE MARKED OTHERWISE.
- THIS SYMBOL \bigcirc INDICATES A DC VOLTAGE MEASUREMENT, TAKEN WITH AN 11 MEGOHM VTVM, FROM THE POINT INDICATED TO CHASSIS GROUND. VOLTAGES MAY VARY $\pm 10\%$.
- ALL VOLTAGES ARE DC POSITIVE UNLESS MARKED OTHERWISE.
- REFER TO THE CHASSIS PHOTOGRAPHS AND CIRCUIT BOARD X-RAY VIEWS FOR THE PHYSICAL LOCATION OF PARTS.
- () INDICATES COLOR CODE OF COAXIAL CABLE.
- DIODE SYMBOLS ARE AS FOLLOWS: ∇ FOR GERMANIUM DIODES, ∇ FOR SILICON DIODES.
- SWITCH WAFERS ARE IDENTIFIED AS IN THE FOLLOWING EXAMPLE:
 FRONT PANEL NAME OF SWITCH: BS-BAND SWITCH, MS-MODE SWITCH
 WAFER NUMBER, WITH THE SWITCH VIEWED FROM THE FRONT PANEL: 2 F
 F = FRONT SIDE OF THE WAFER, R = REAR SIDE OF THE WAFER.
- ARROW \curvearrowright INDICATES COUNTERCLOCKWISE ROTATION OF KNOB (VIEWED FROM KNOB END).
- NC MEANS NO CONNECTION.
- * INDICATES ACCESSORY CRYSTAL FILTERS.

VOLTAGE CHART
PIN 6 OF HET OSC V4

BAND	VOLTAGE
3.5	2.8
7.0	2.9
14.0	2.8
15.0	2.9
21.0	2.8
28.0	2.4
28.5	2.5
29.0	2.4
29.5	2.7

