

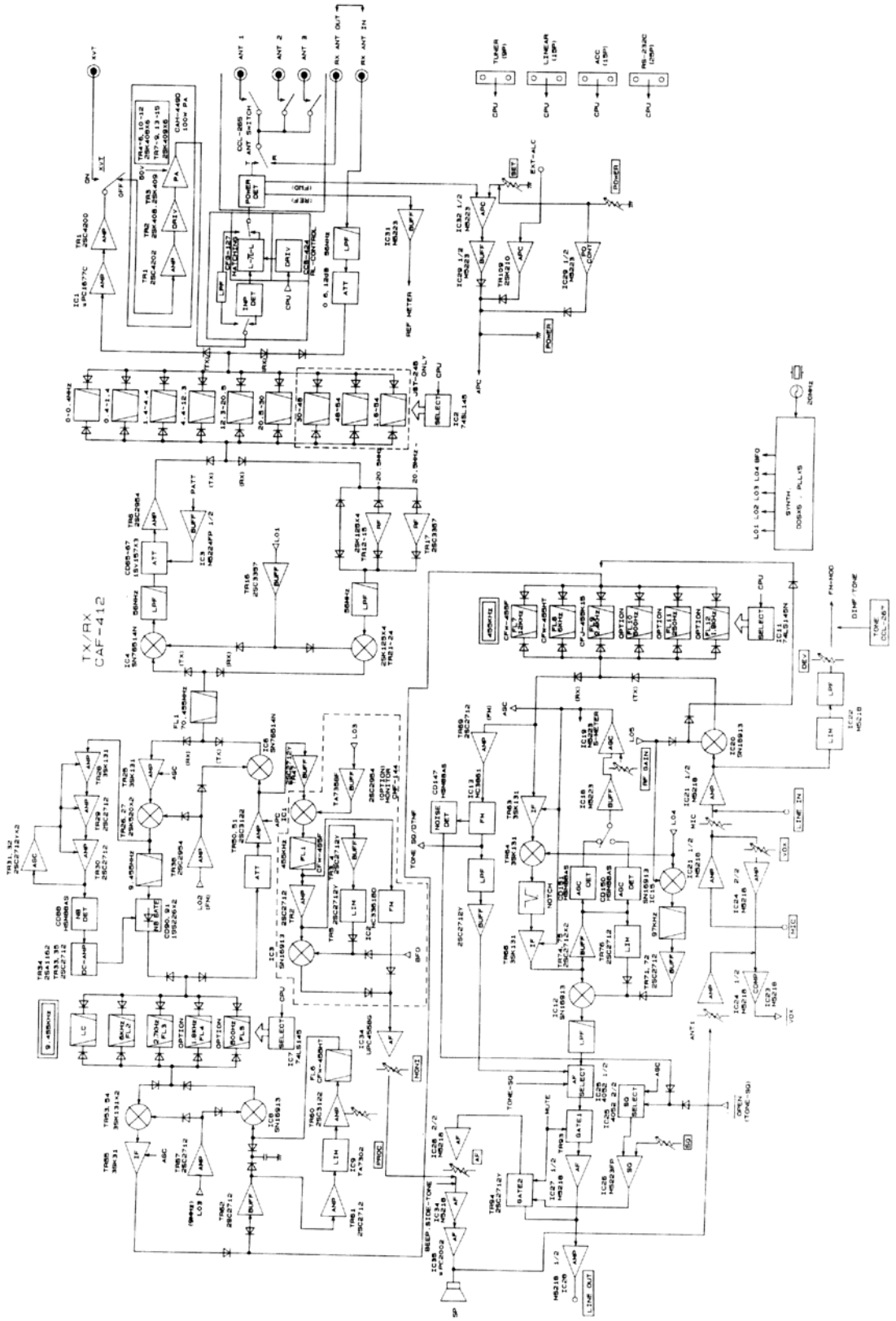
# Section 12: Block Diagram

## Section 12: Circuit Diagram

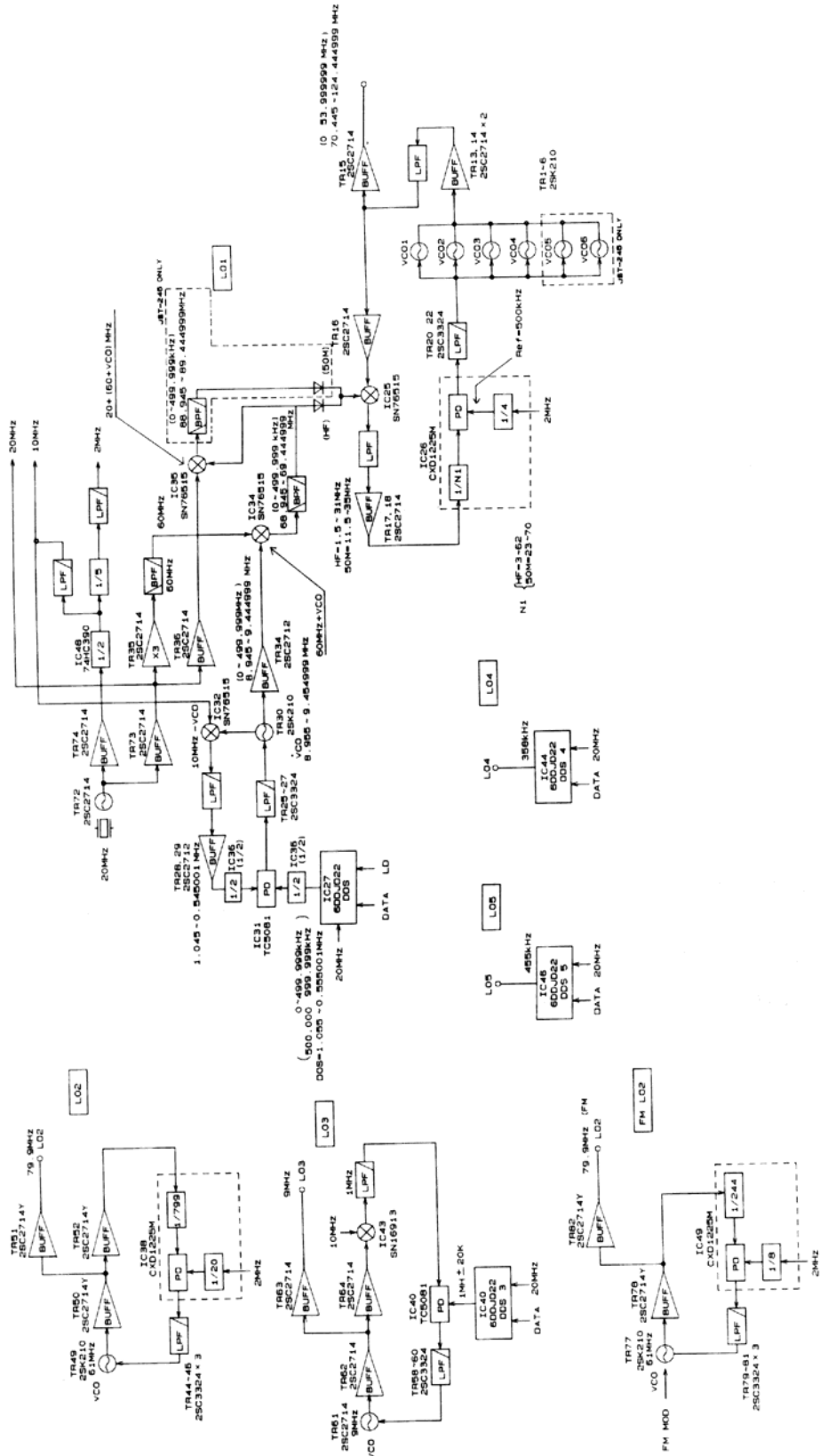
- 12.1 CDE-783 Panel
- 12.2 CAF-412 TX/RX Unit
- 12.3 CGH-192 Synthesizer Unit
- 12.4 CAH-449-D PA Unit
- 12.5 CFJ-157 LPF Unit
- 12.6 CFG-127 Matching Unit (JST-245, standard; JST-145, optional)  
CCB-424 RL-Control Unit (JST-245, standard; JST-145, optional)
- 12.7 CCC-284 Sensor Unit (JST-245, standard; JST-145, optional)
- 12.8 CCL-265 ANT Switch Unit
- 12.9 CDC-796 CPU Unit
- 12.10 CCL-227 Tone Unit (Optional)
- 12.11 CMF-144 Monitor Unit (Optional)
- 12.12 JST-145 Overall Connection Diagram  
JST-245 Overall Connection Diagram

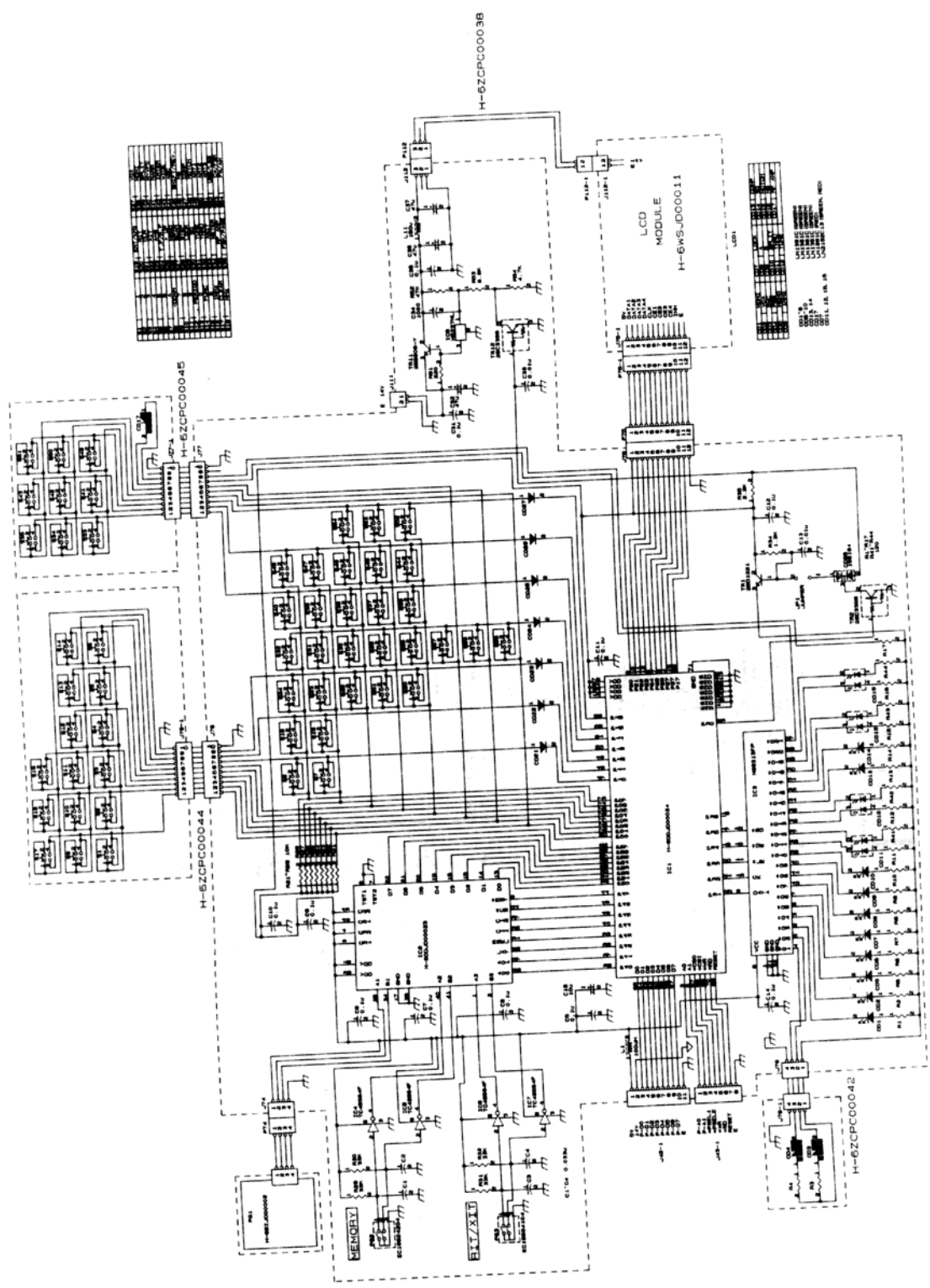
# Section 11. Block Diagram

## 11.1 Signal System



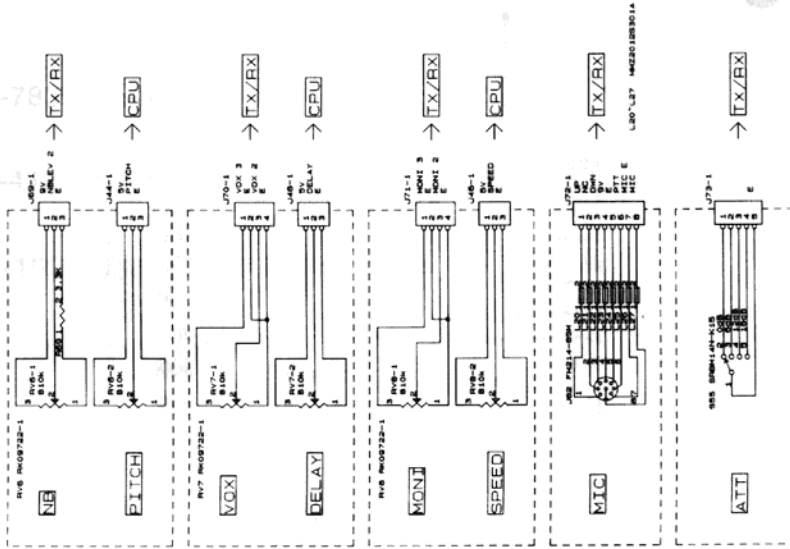
# 11.2 Synthesizer Flow



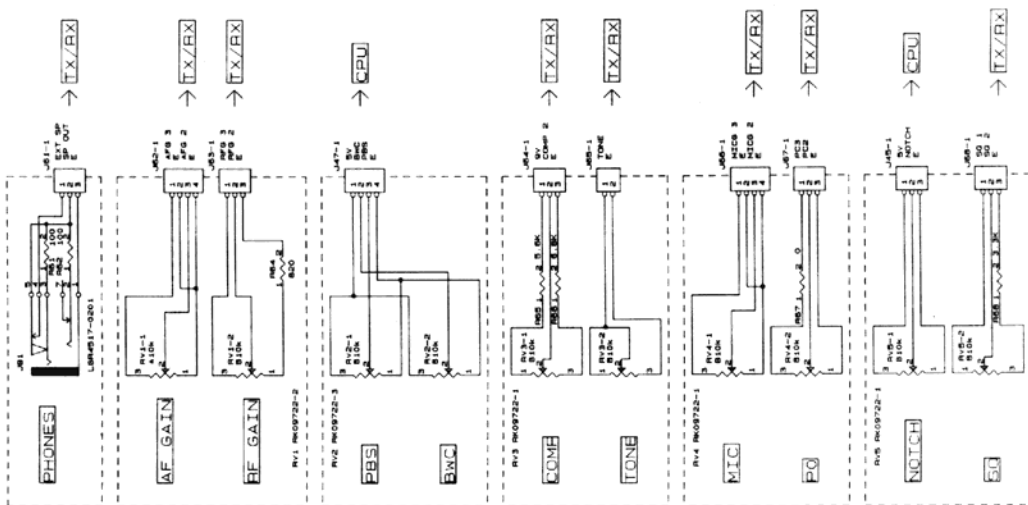


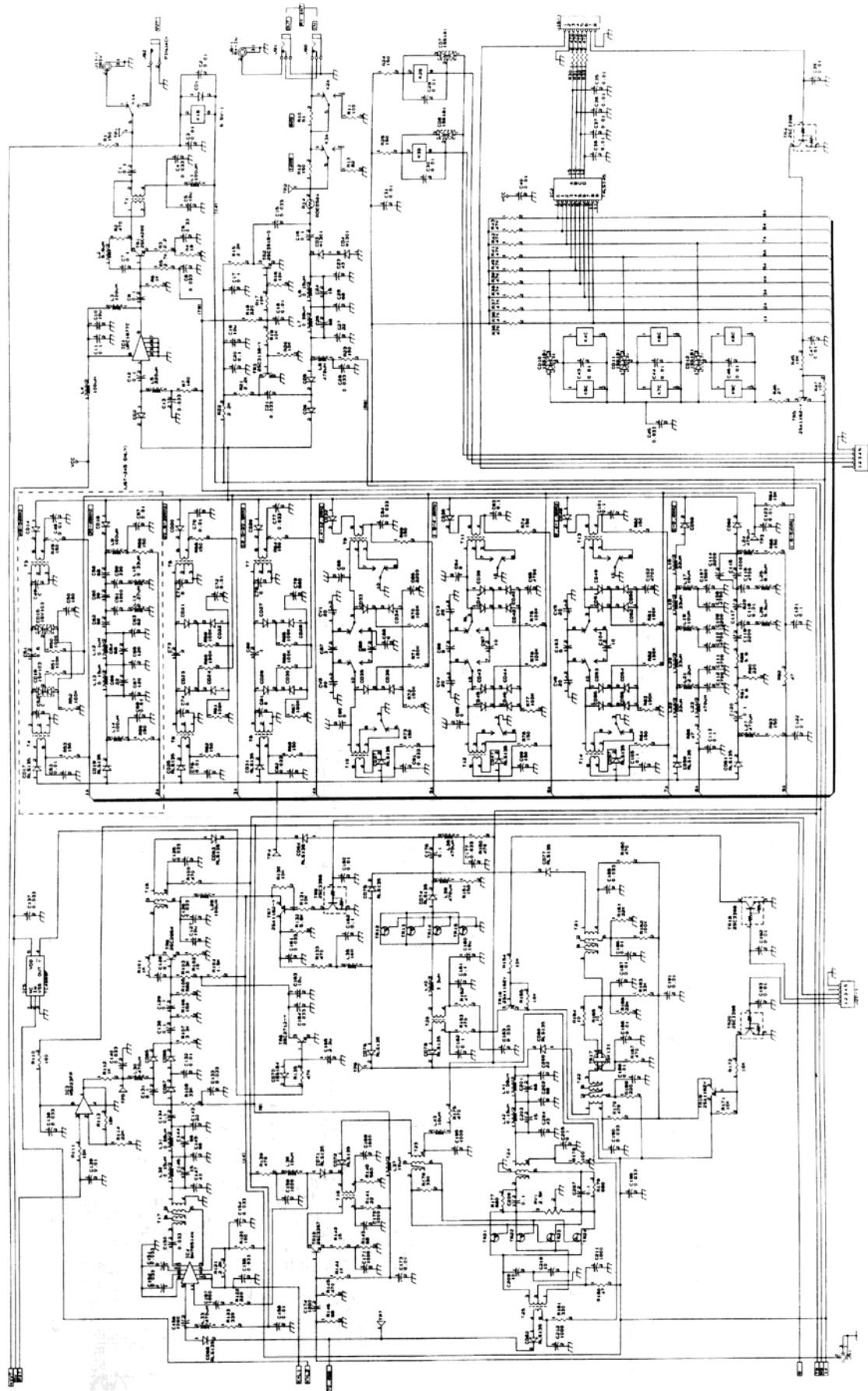
# Section 12. Circuit Diagram

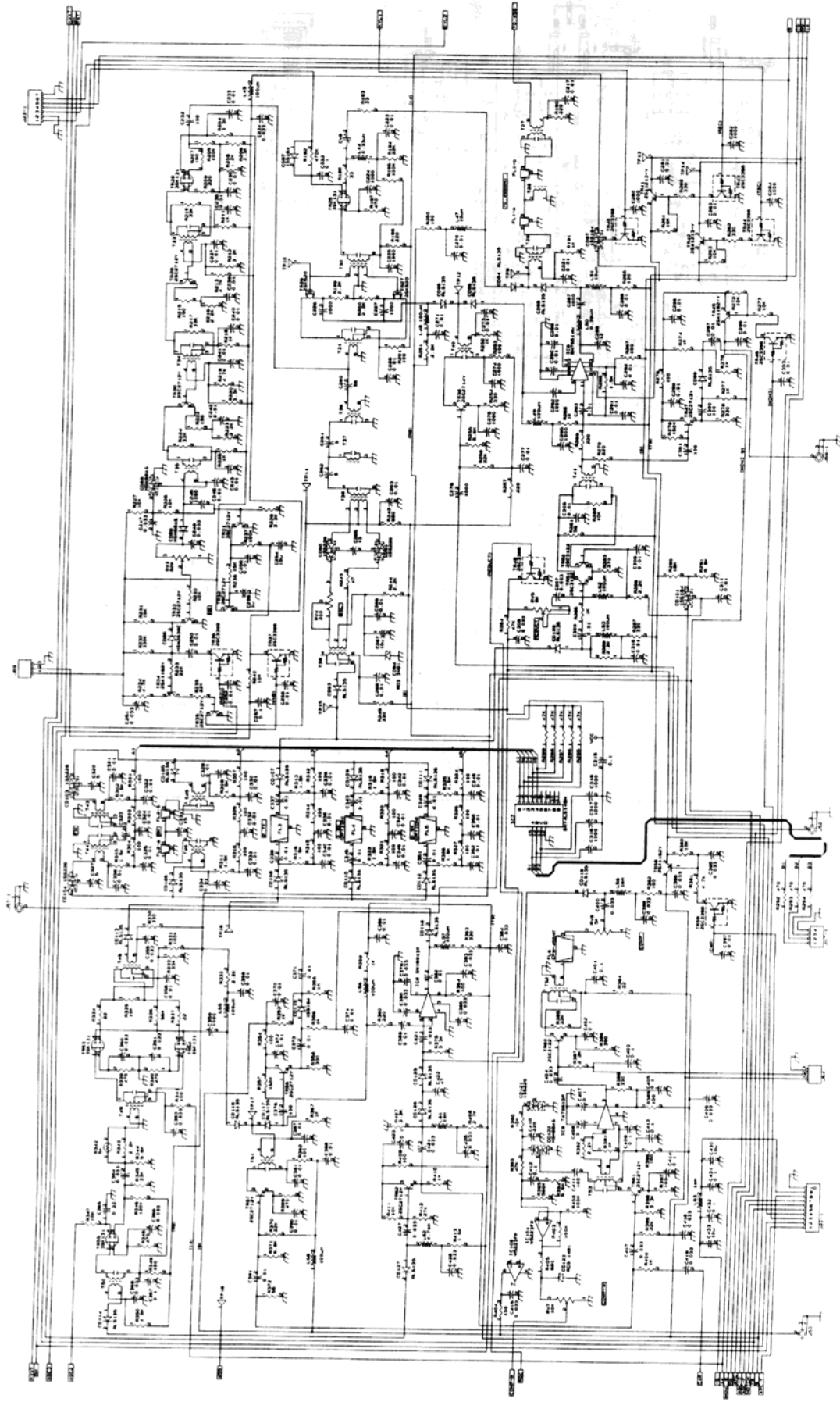
12.1 CDE-783  
12.2 CAF-4  
12.3 CGI-1  
12.4 CA-  
12.5 C-  
12.6



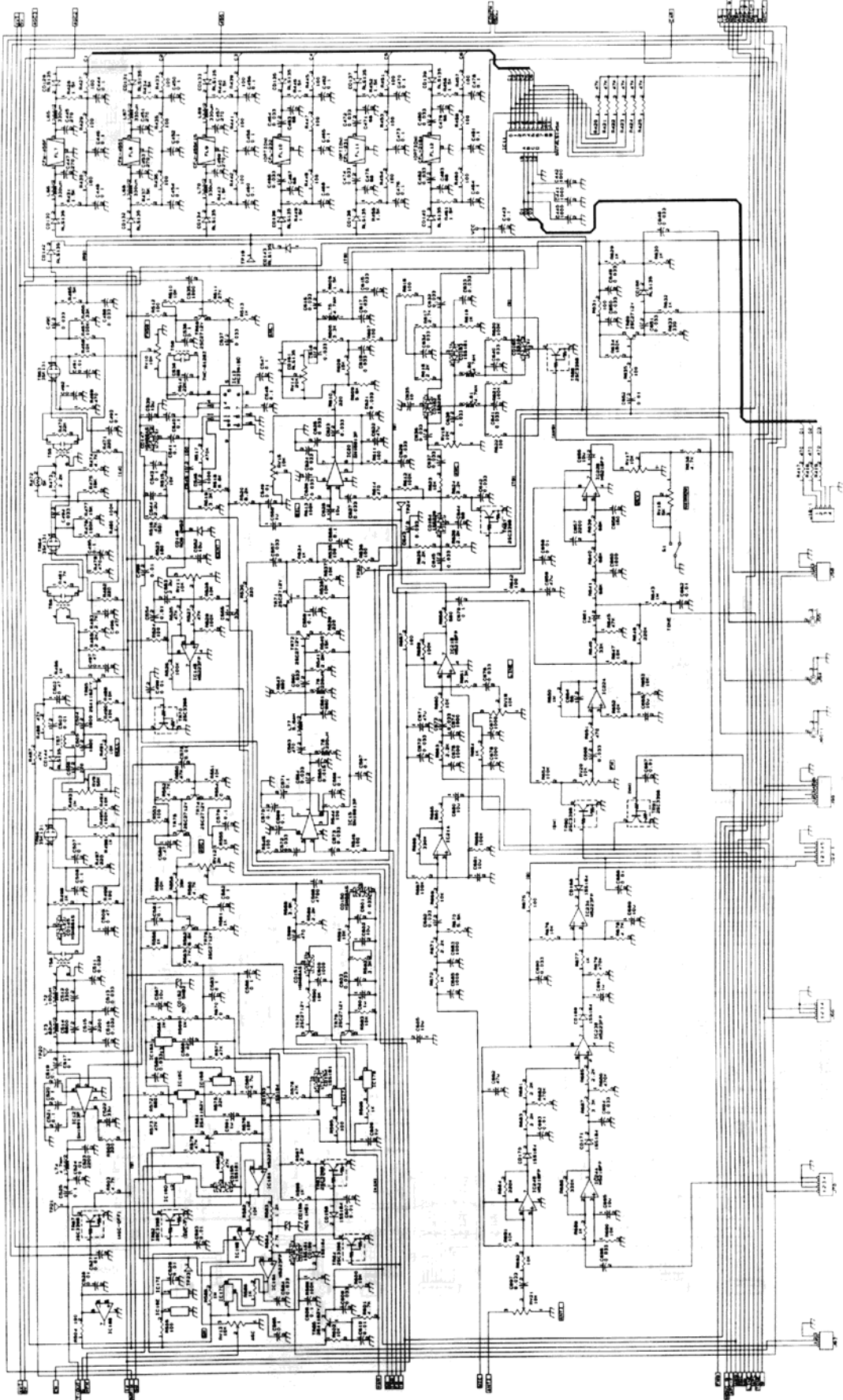
12.7  
12.8







# 12.2 CAF-412 TX/RX Unit (3/4)

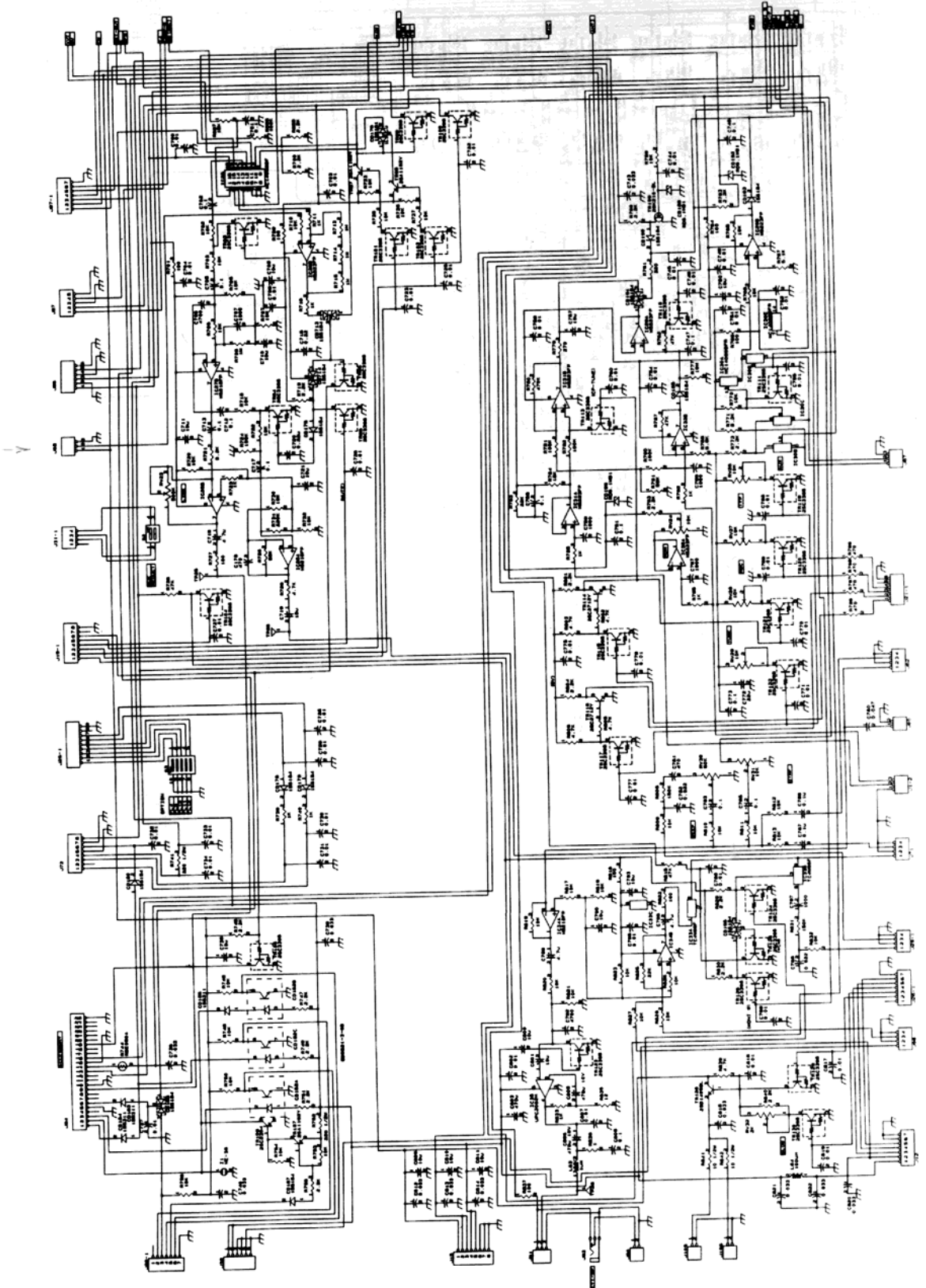




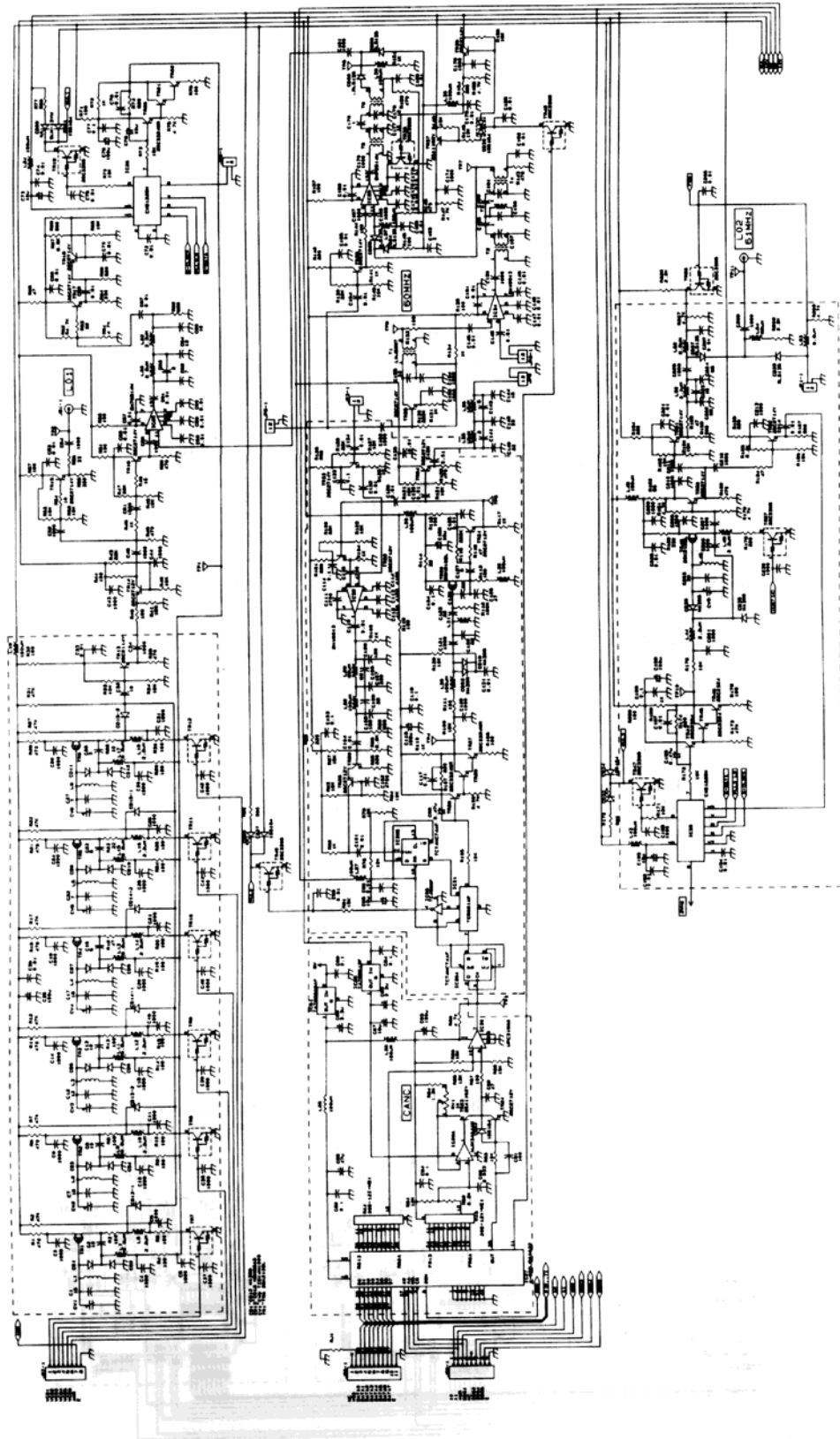
12.2 CAF-412 TX/RX Unit (4/4)

CAF-412 TX/RX Unit (3)

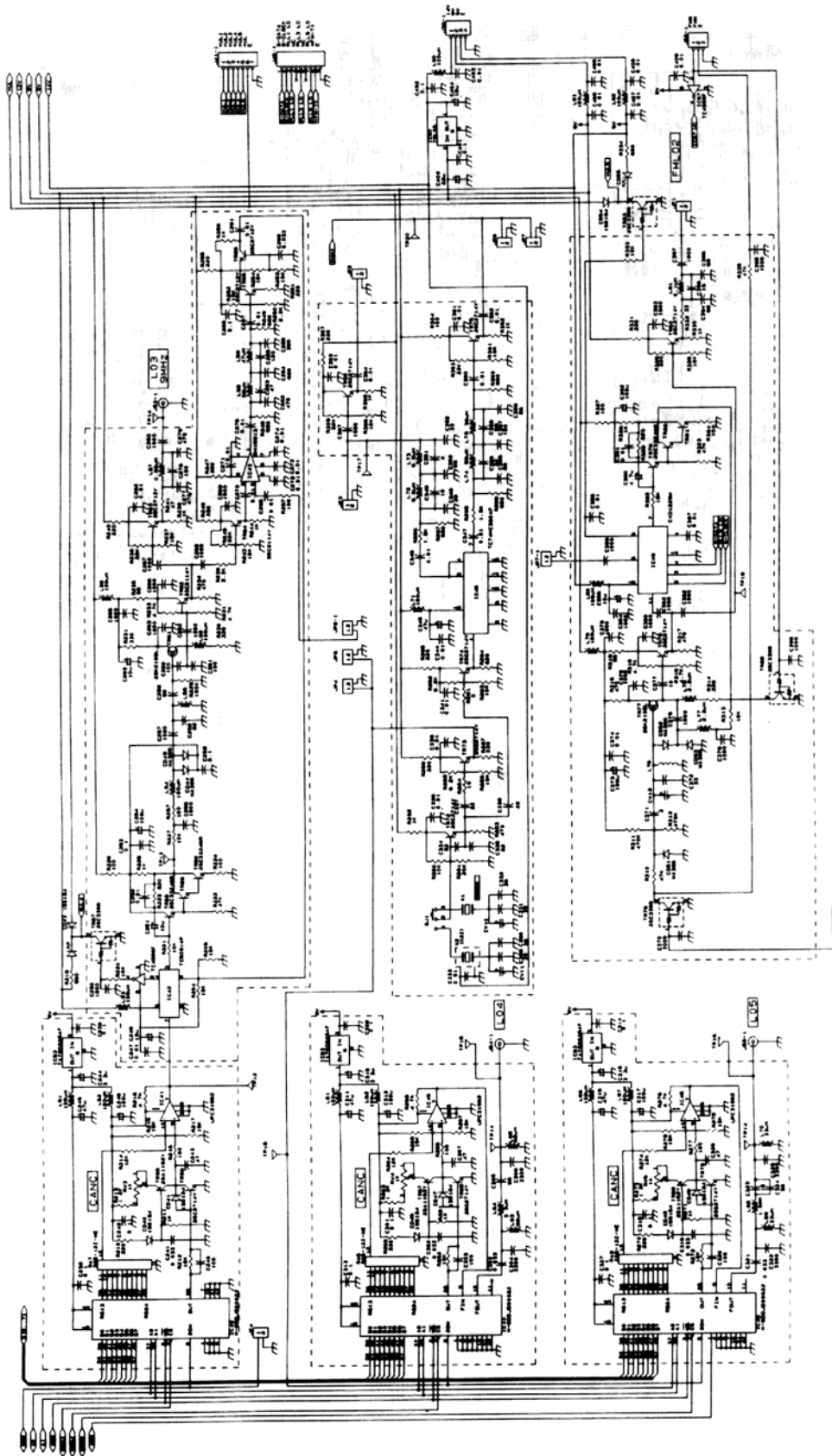
50



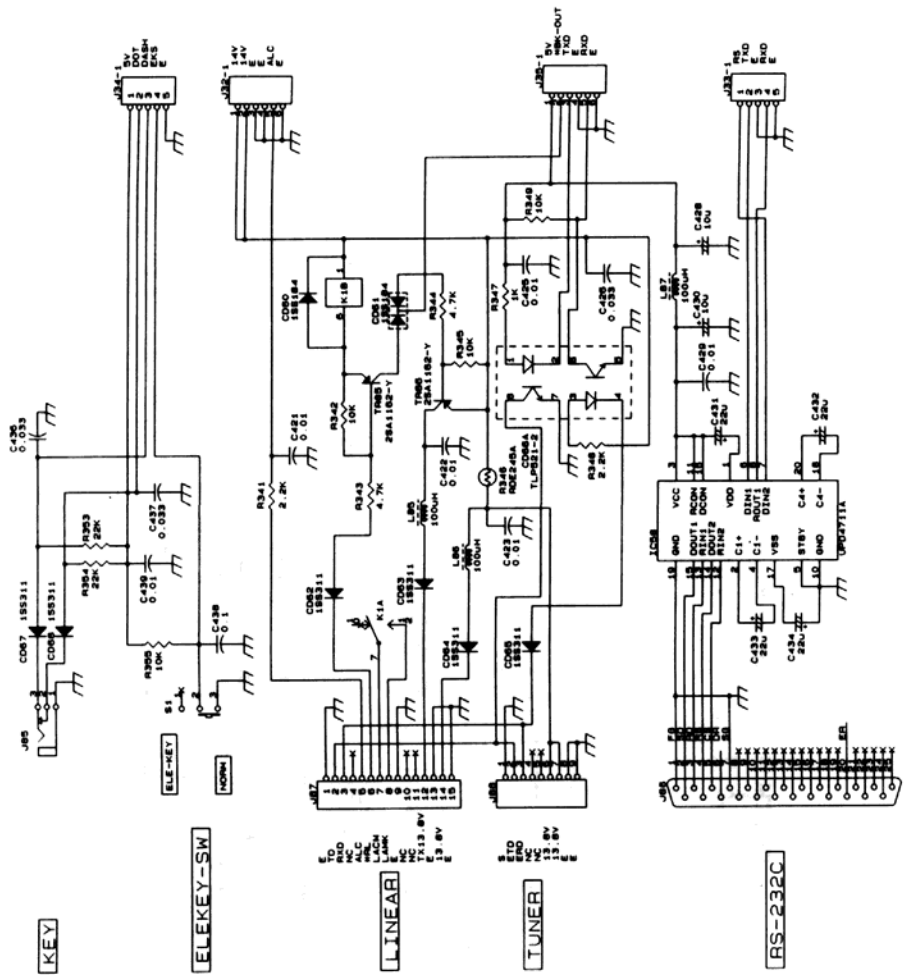
12.3 CGH-192 Synthesizer Unit (1/3)

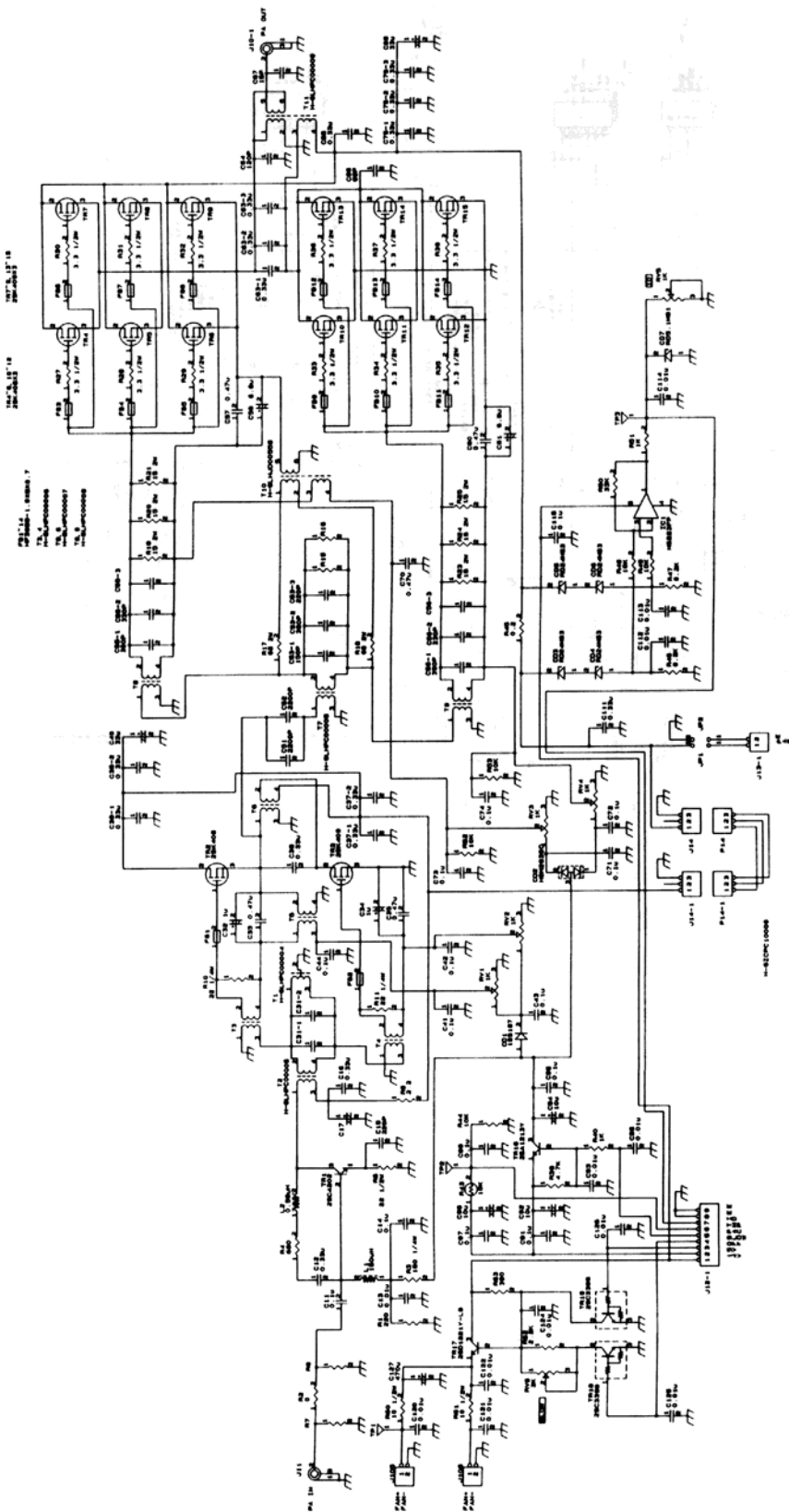


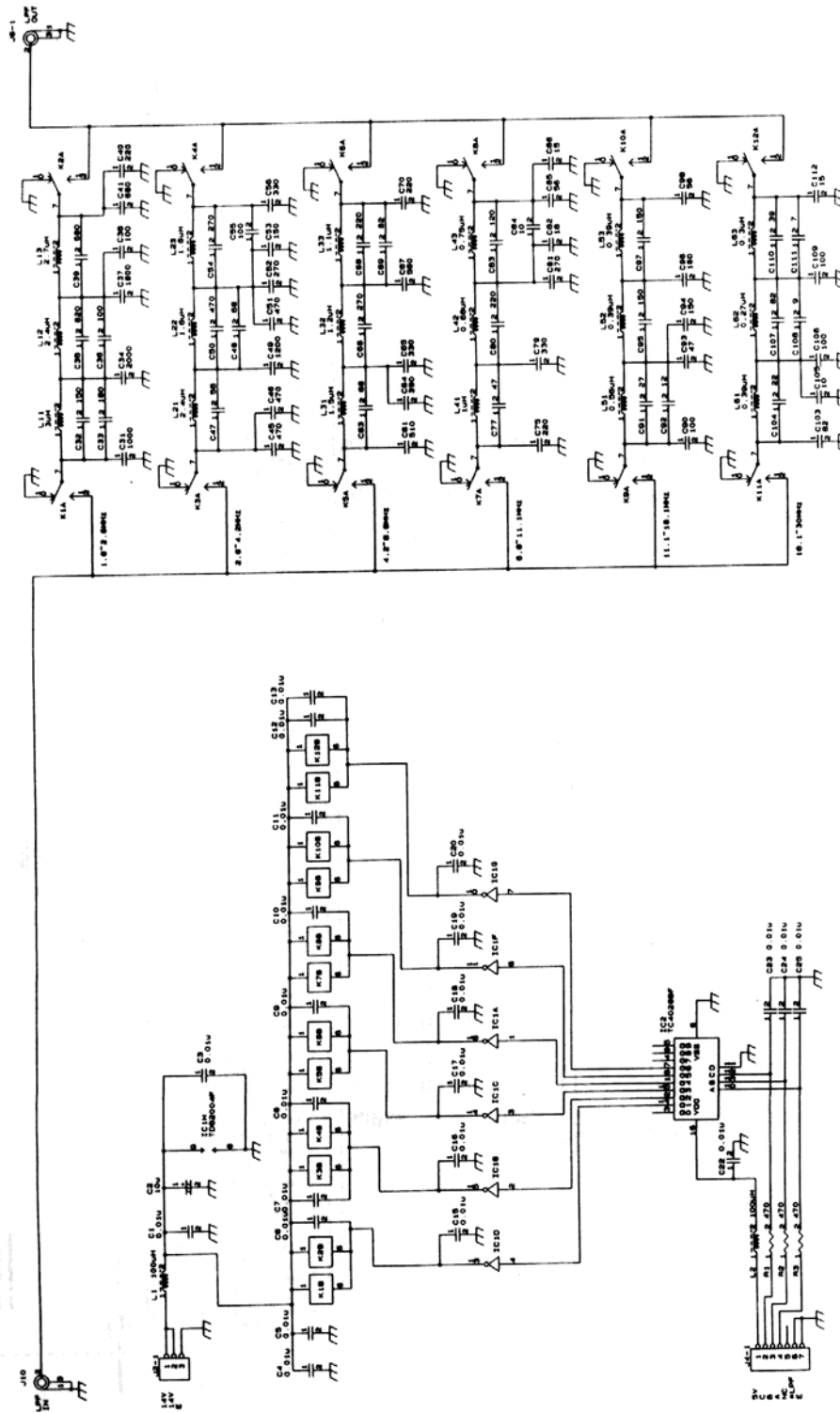
# 12.3 CGH-192 Synthesizer Unit (2/3)



# 12.3 CGH-192 Synthesizer Unit (3/3)

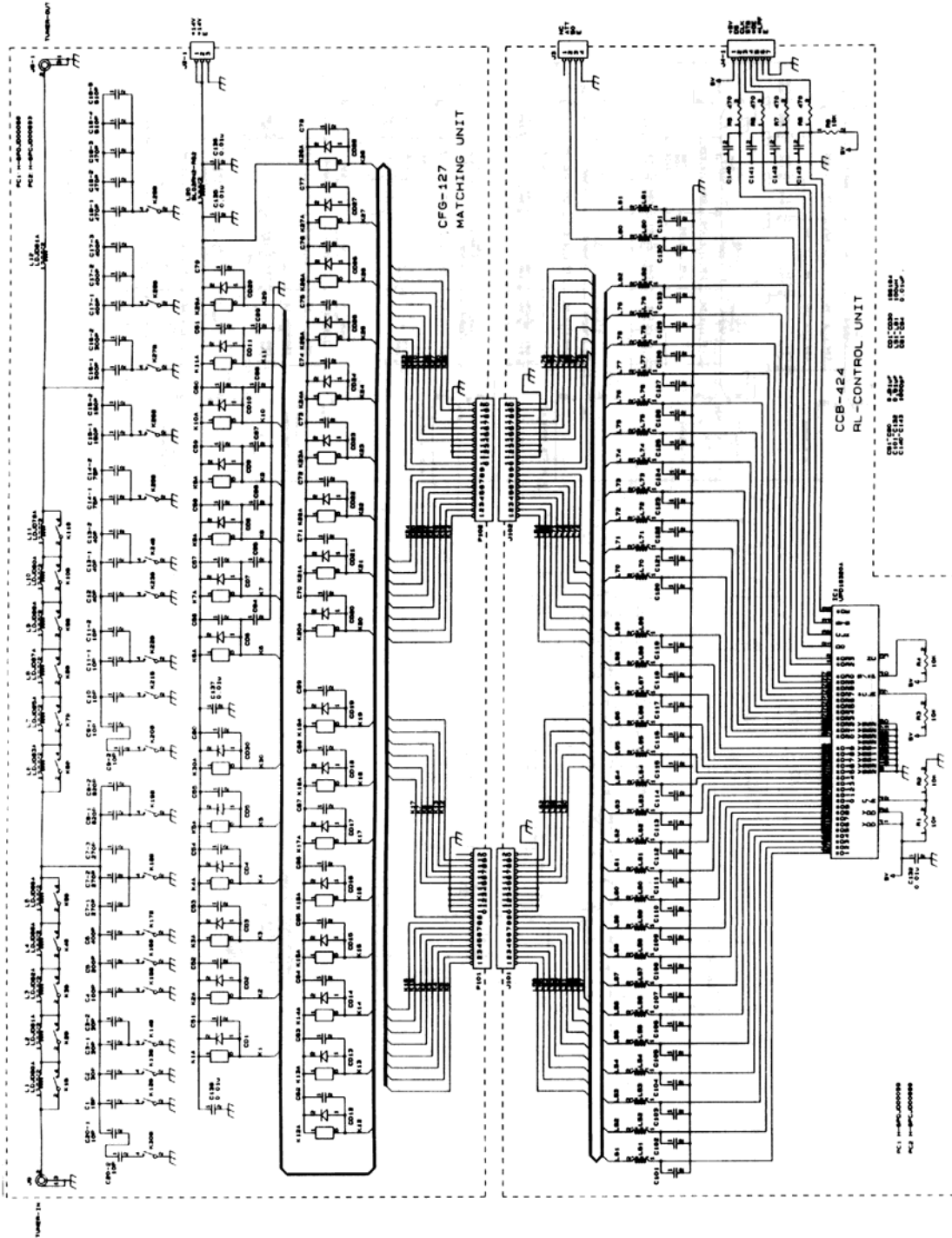






11-SPC\_000884  
11-SPO\_000357

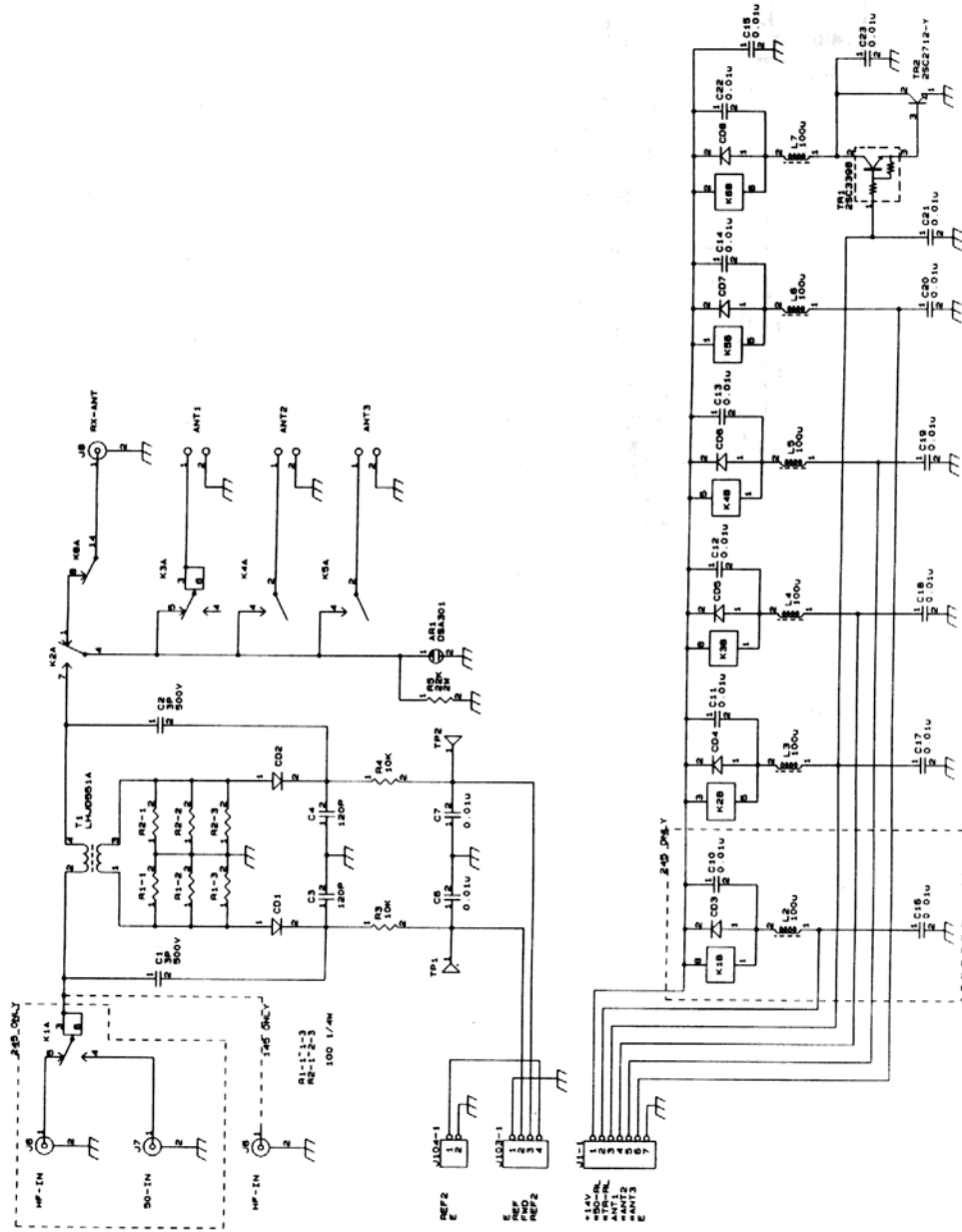
**12.6 CFG-127 Matching Unit (JST-245, standard; JST-145, optional)  
CCB-424 RL-Control Unit (JST-245, standard; JST-145, optional)**





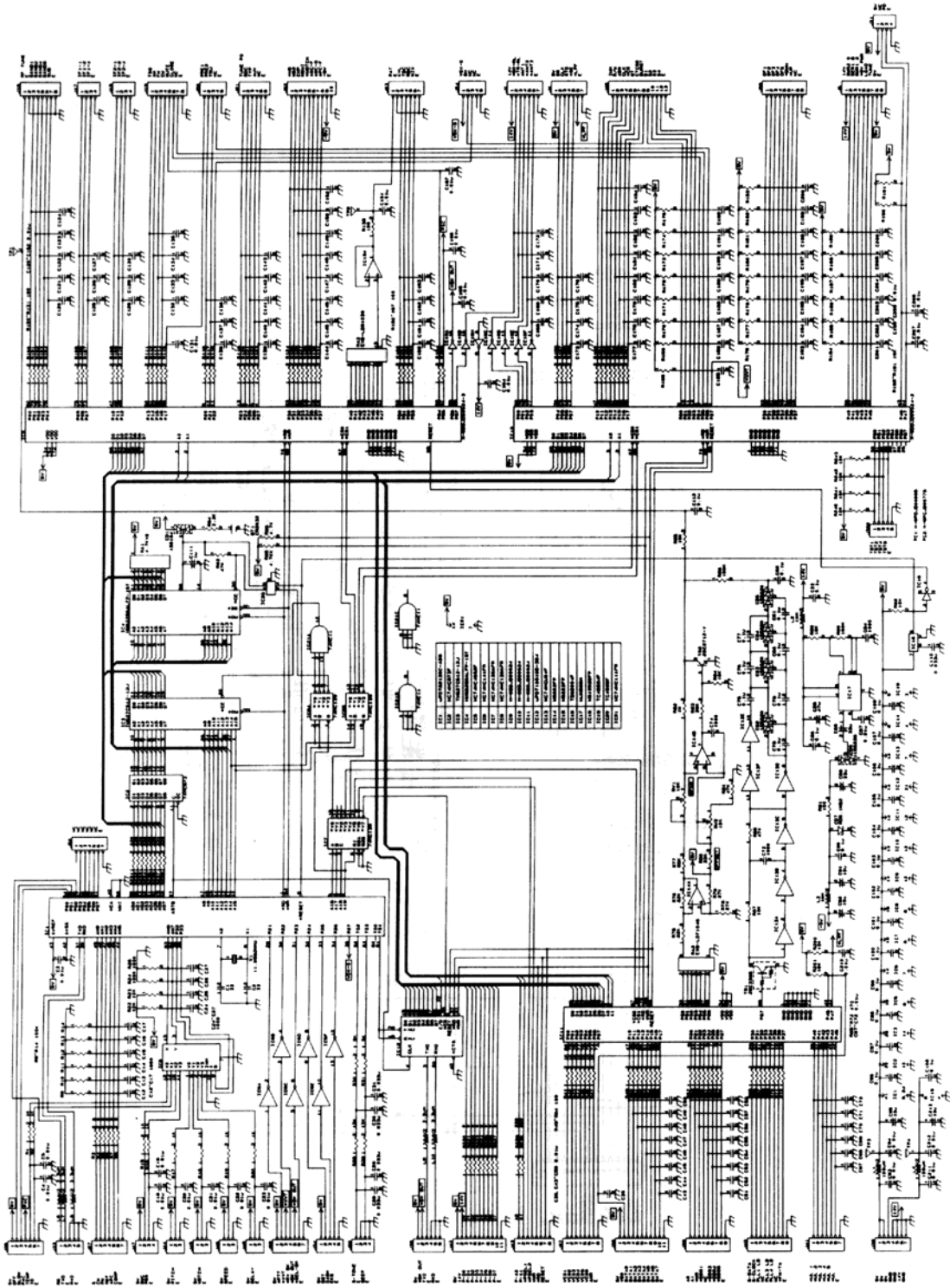


# 12.8 CCL-265 ANT Switch Unit



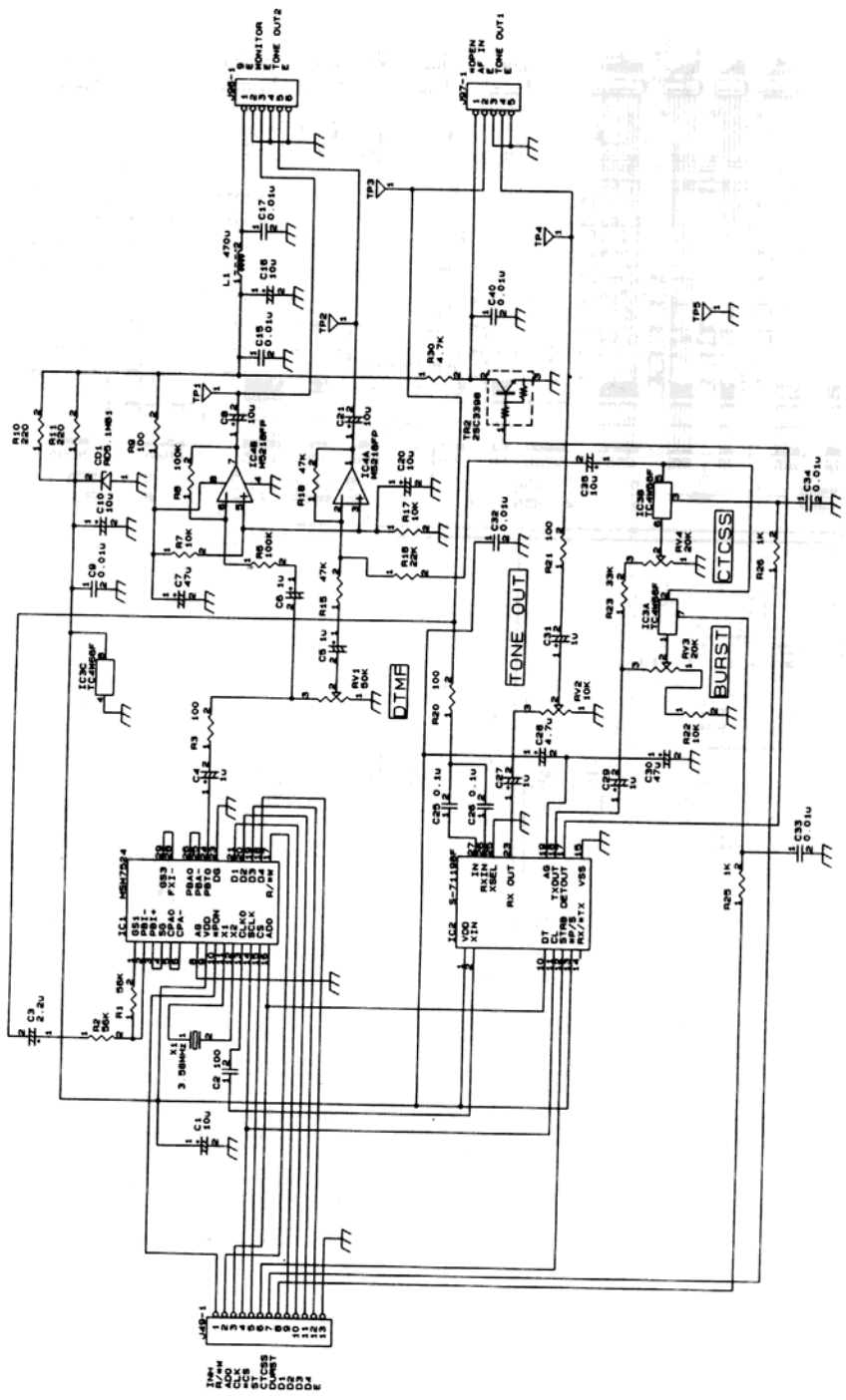
PC1 M-SMD-000081  
PC2 M-SPC-000891

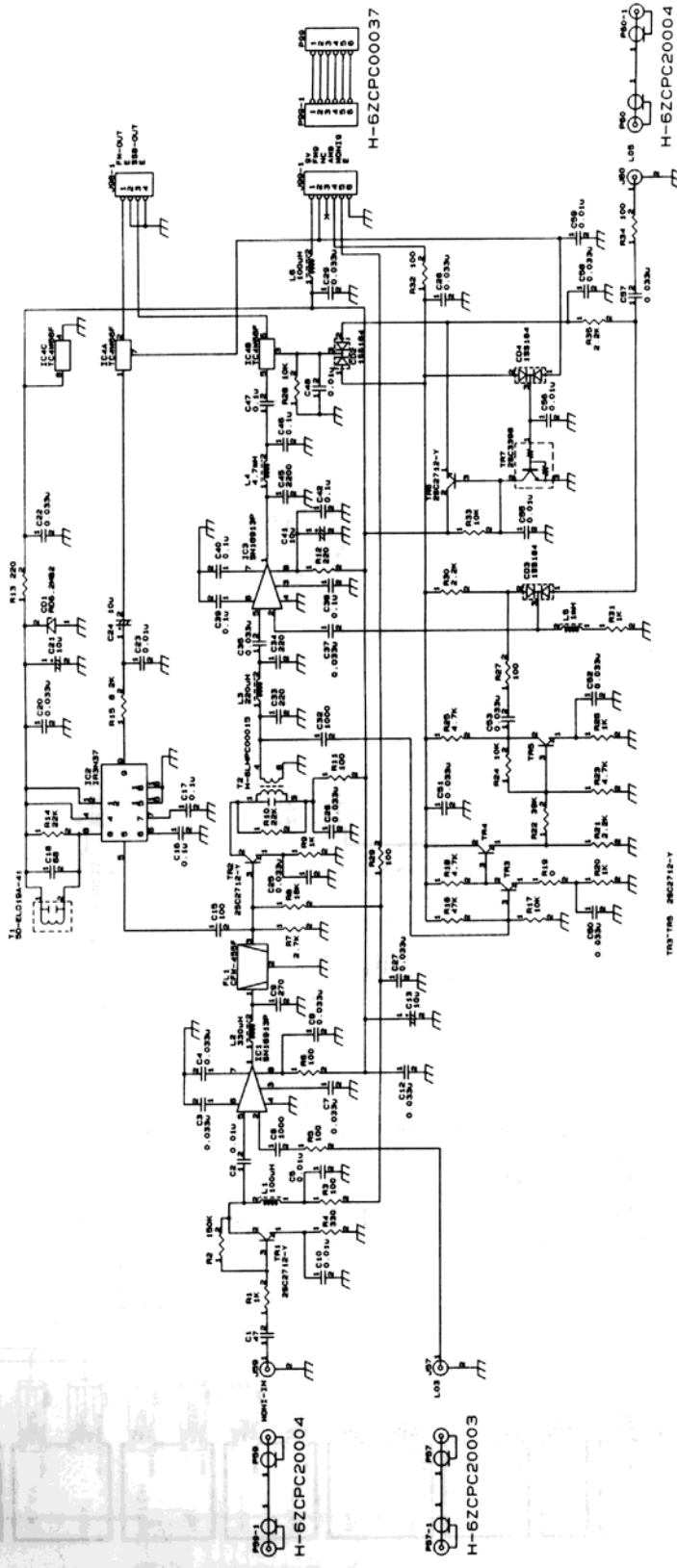
CD1, CD2 155348  
CD3, CD8 155184



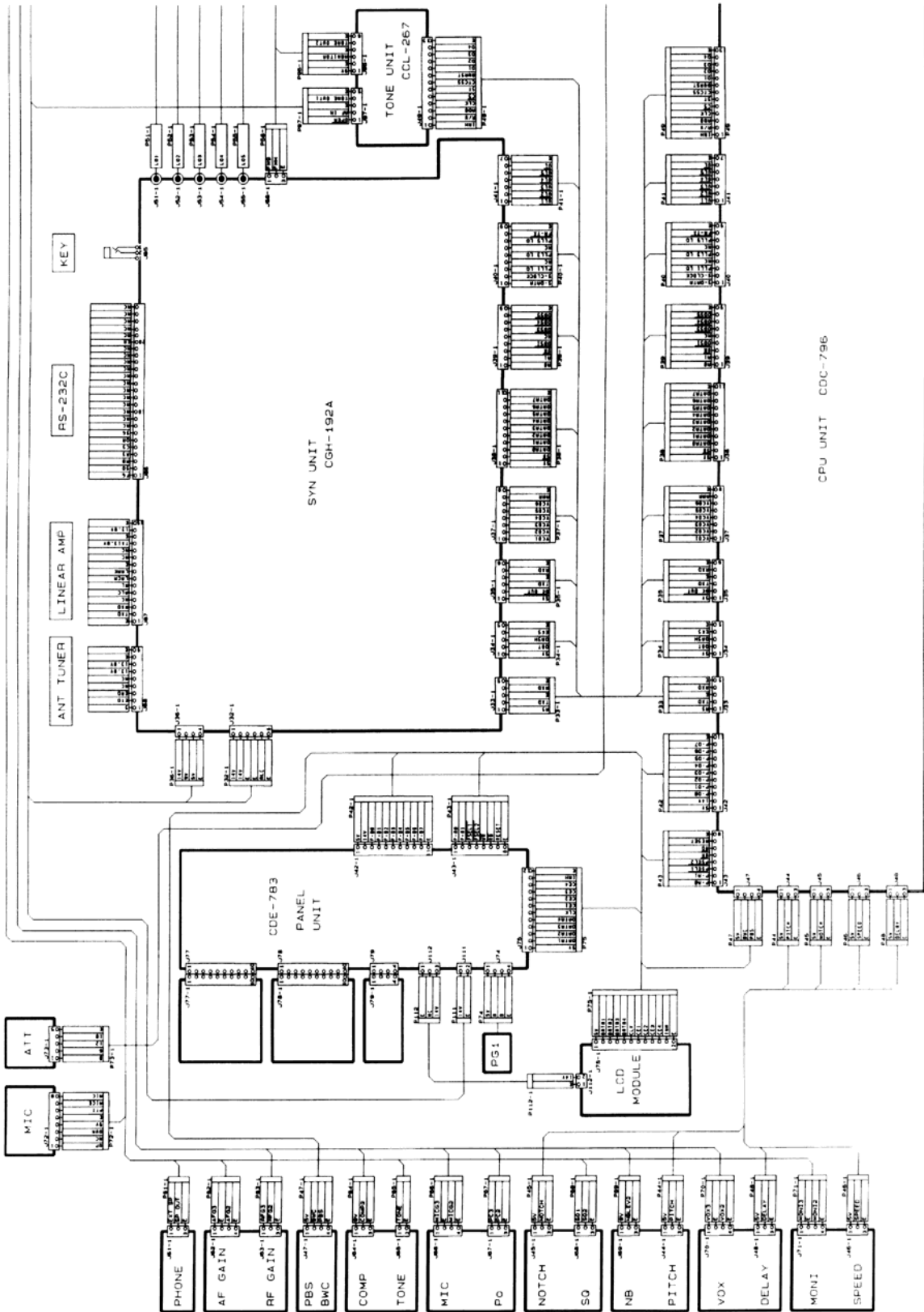
# 12.10 CCL-227 Tone Unit (Optional)

12.9 CCL-227 CPU Unit

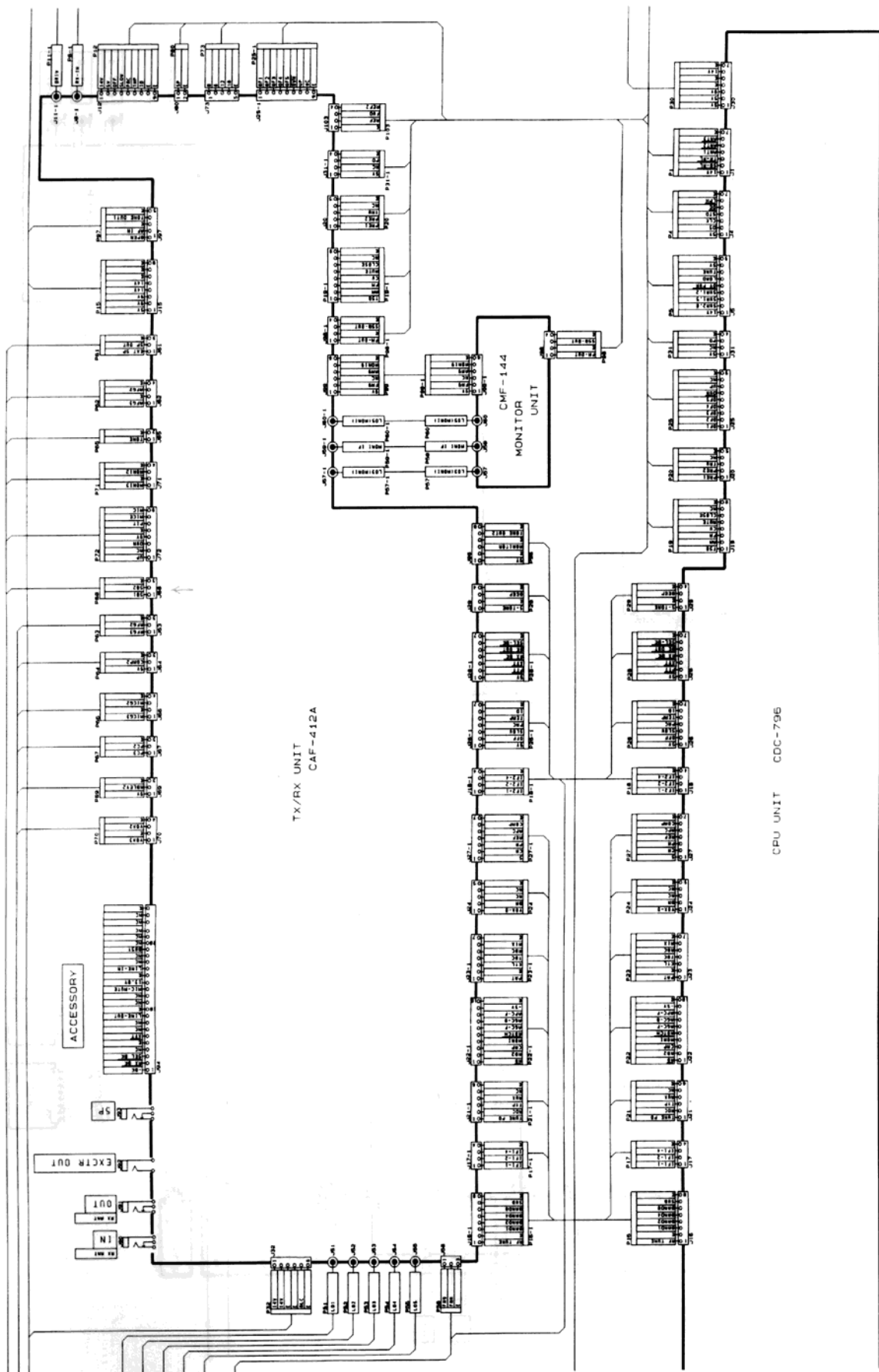




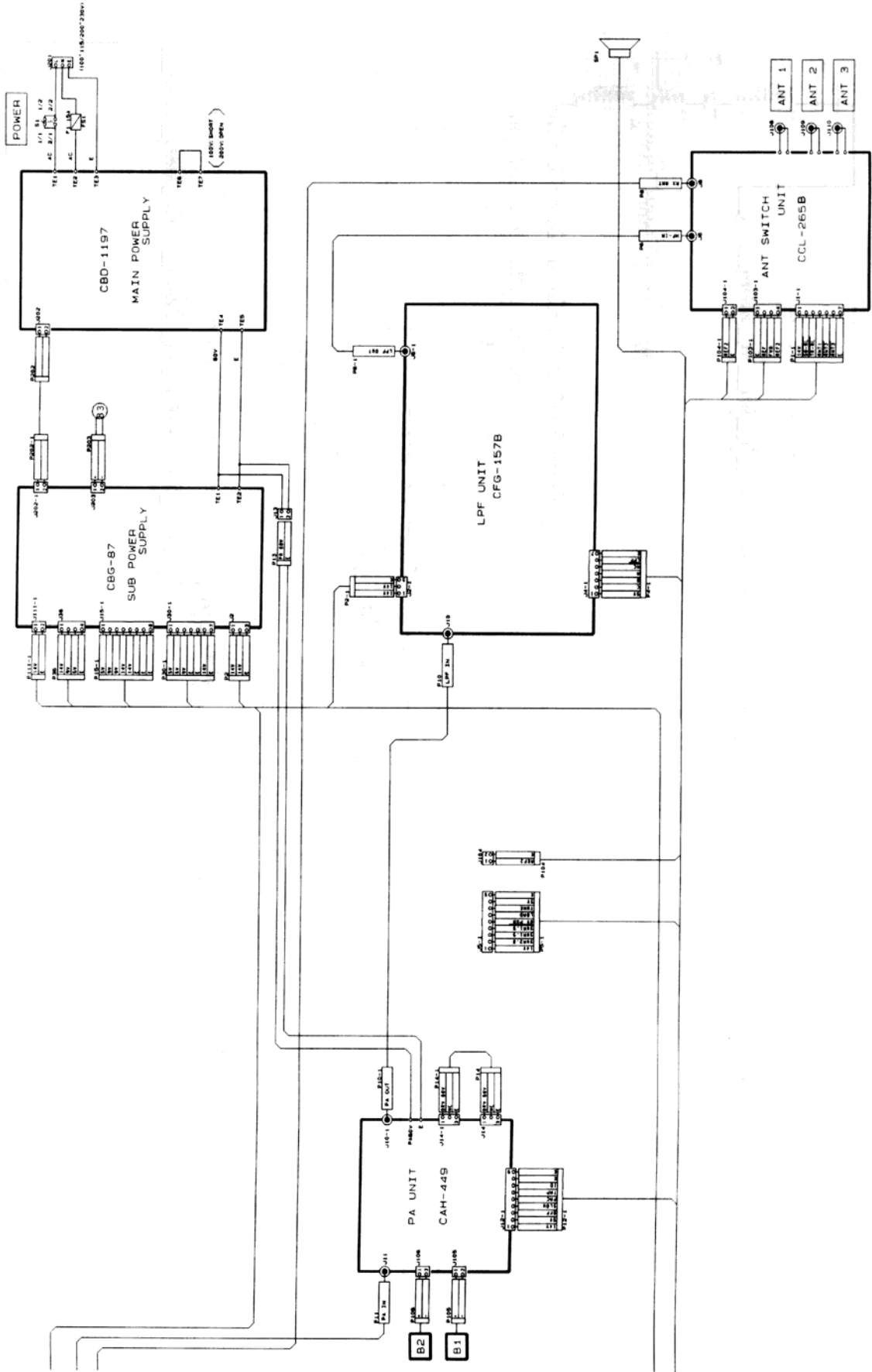
# 12.12 JST-145 Overall Connection Diagram (1/3)

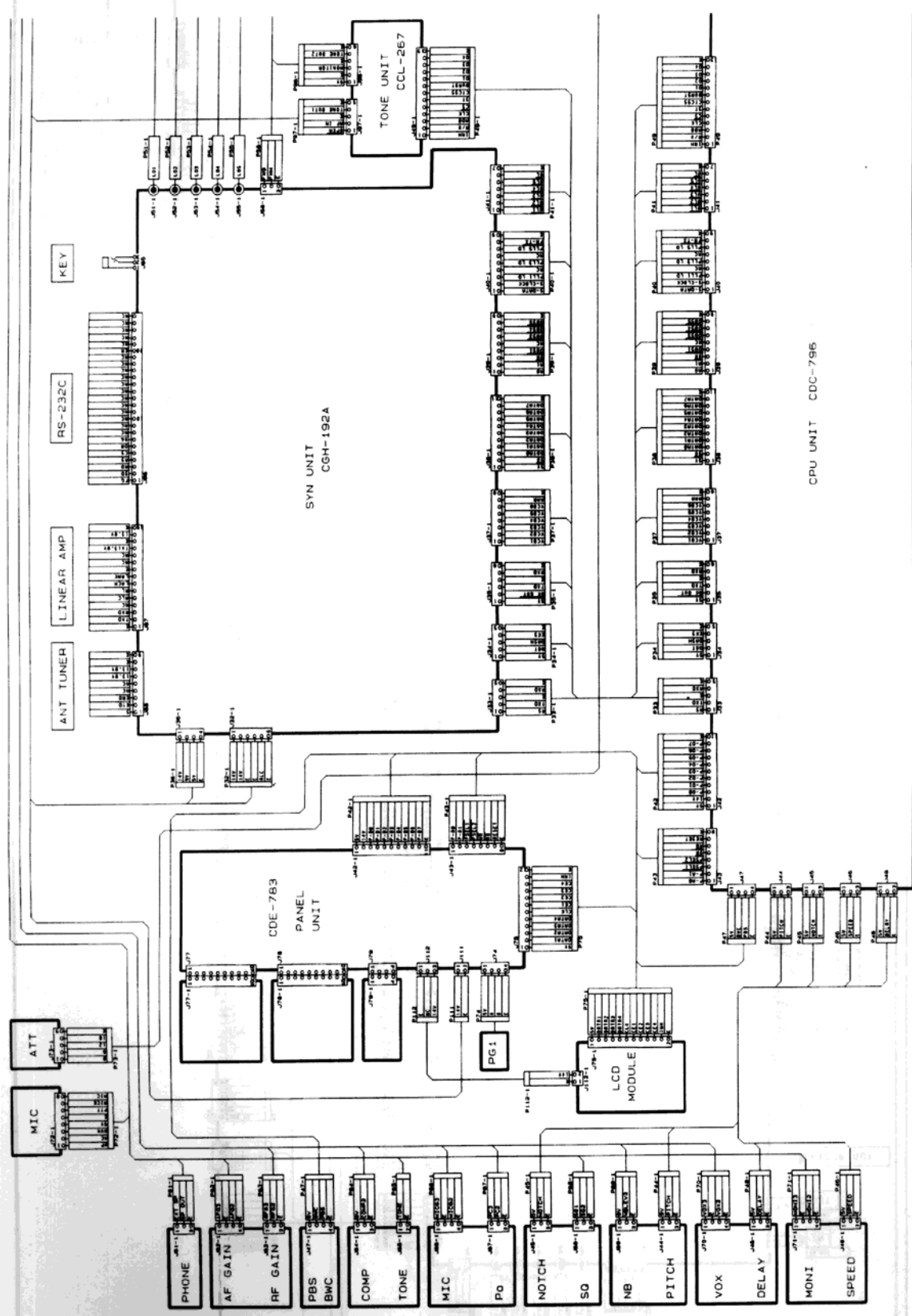


12.12 JST-145 Overall Connection Diagram (2/3)



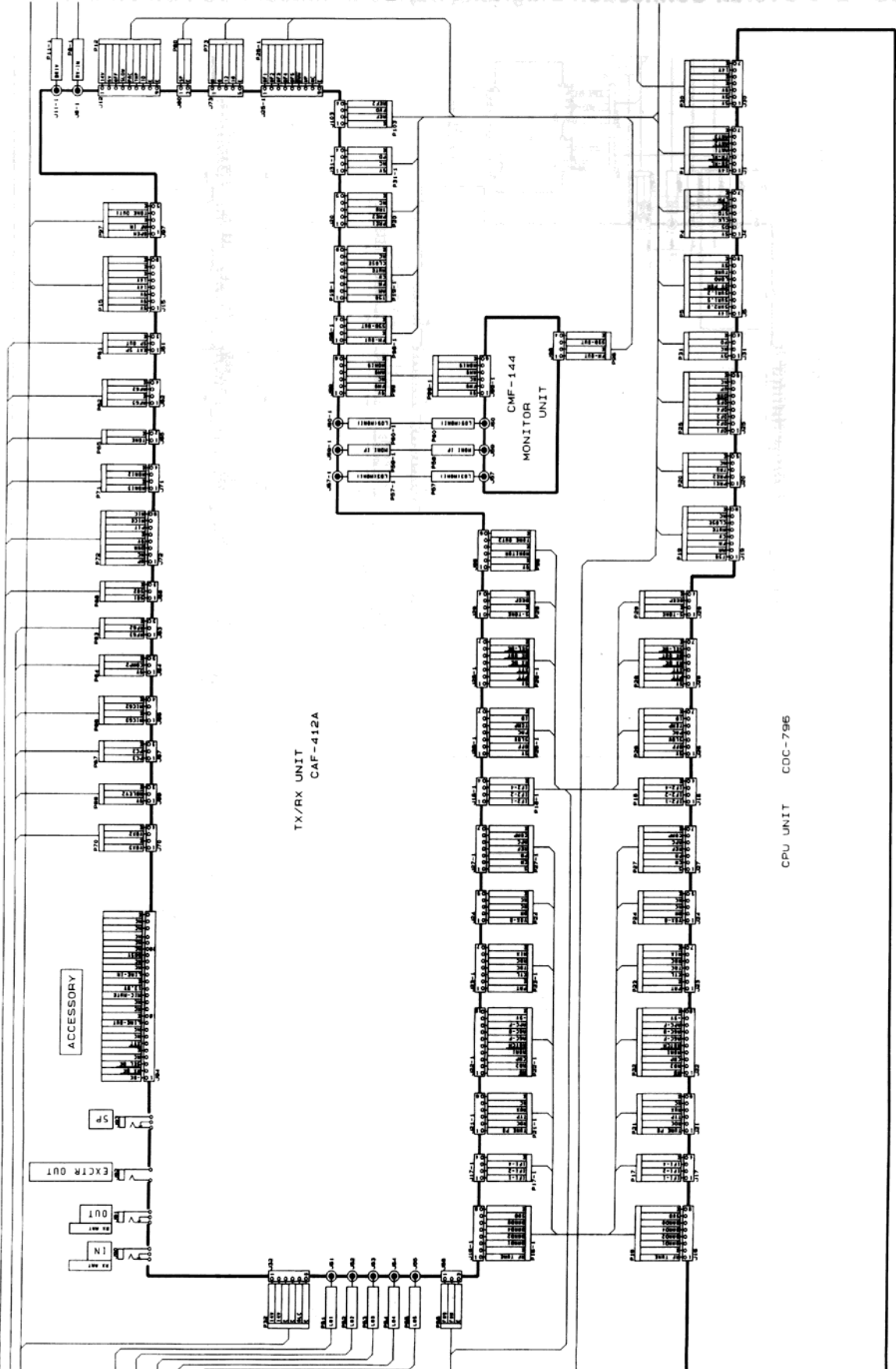
# 12.12 JST-145 Overall Connection Diagram (3/3)







# 12.12 JST-245 Overall Connection Diagram (2/3)



# 12.12 JST-245 Overall Connection Diagram (3/3)

