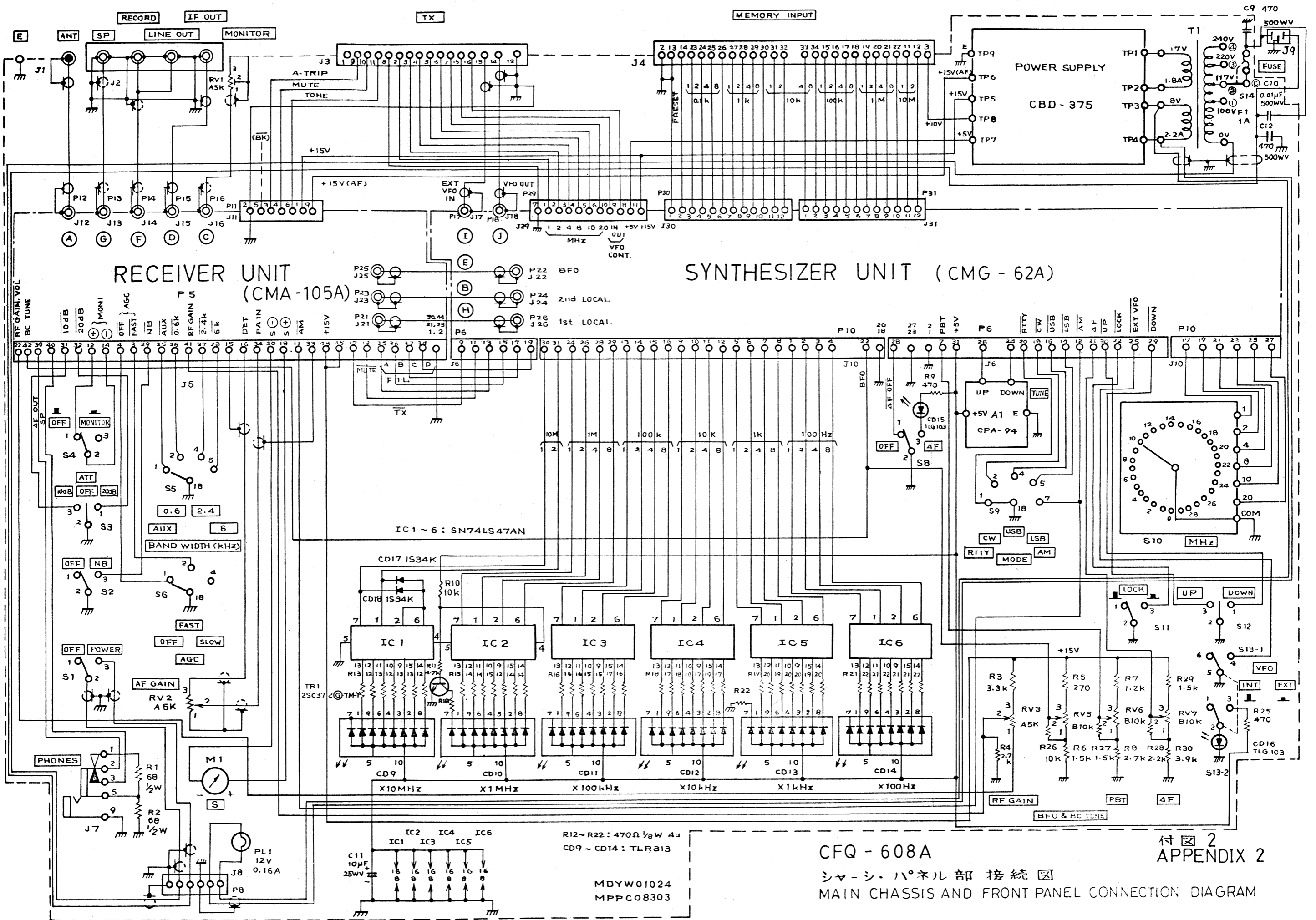


* [] OPTION を示します。

付図 1
APPENDIX 1

NRD-515
全波受信機系統図
ALL-WAVE RECEIVER FUNCTIONAL BLOCK DIAGRAM

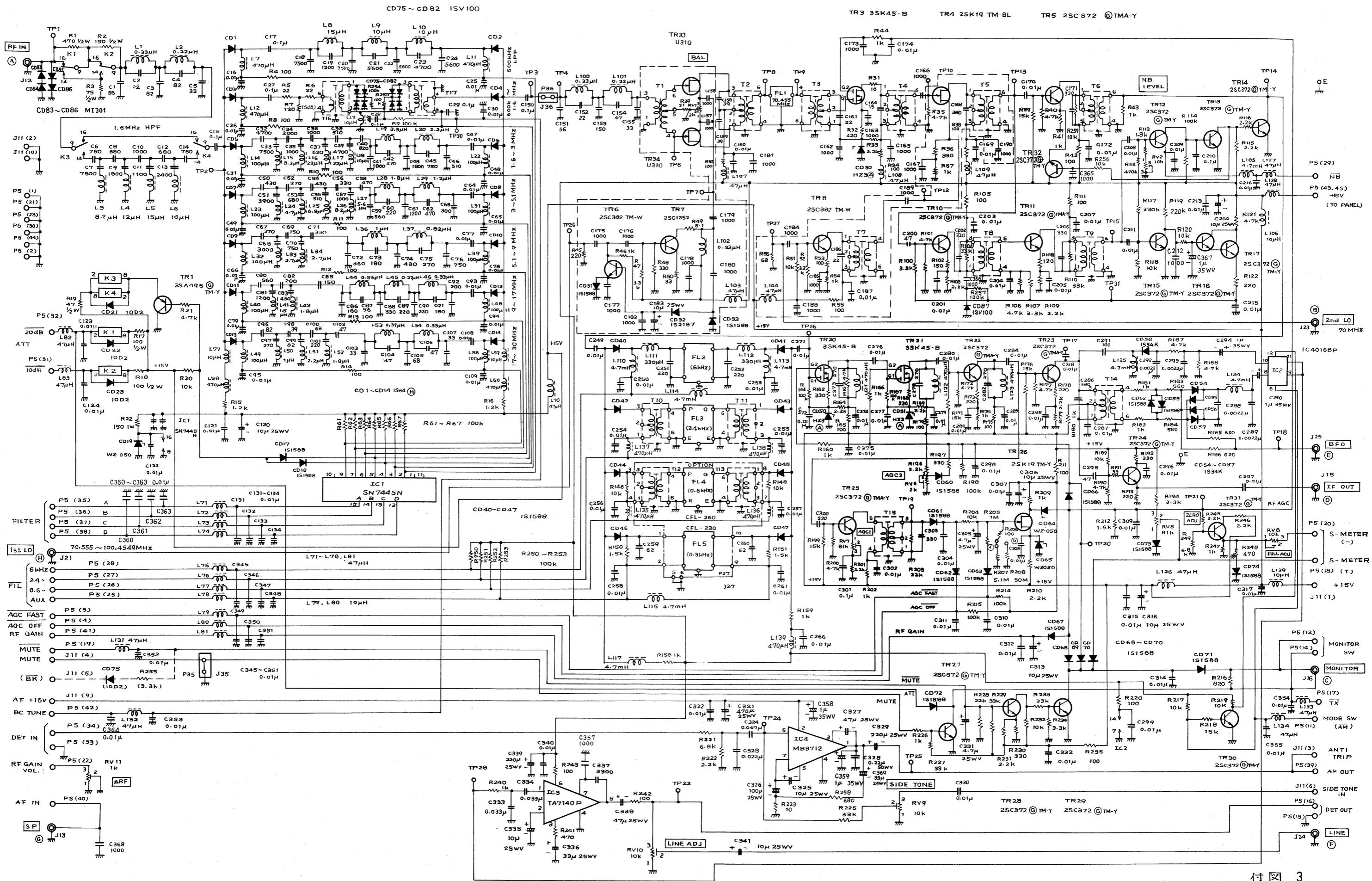


CFQ - 608A

シャーシ・パネル部 接続図
 MAIN CHASSIS AND FRONT PANEL CONNECTION DIAGRAM

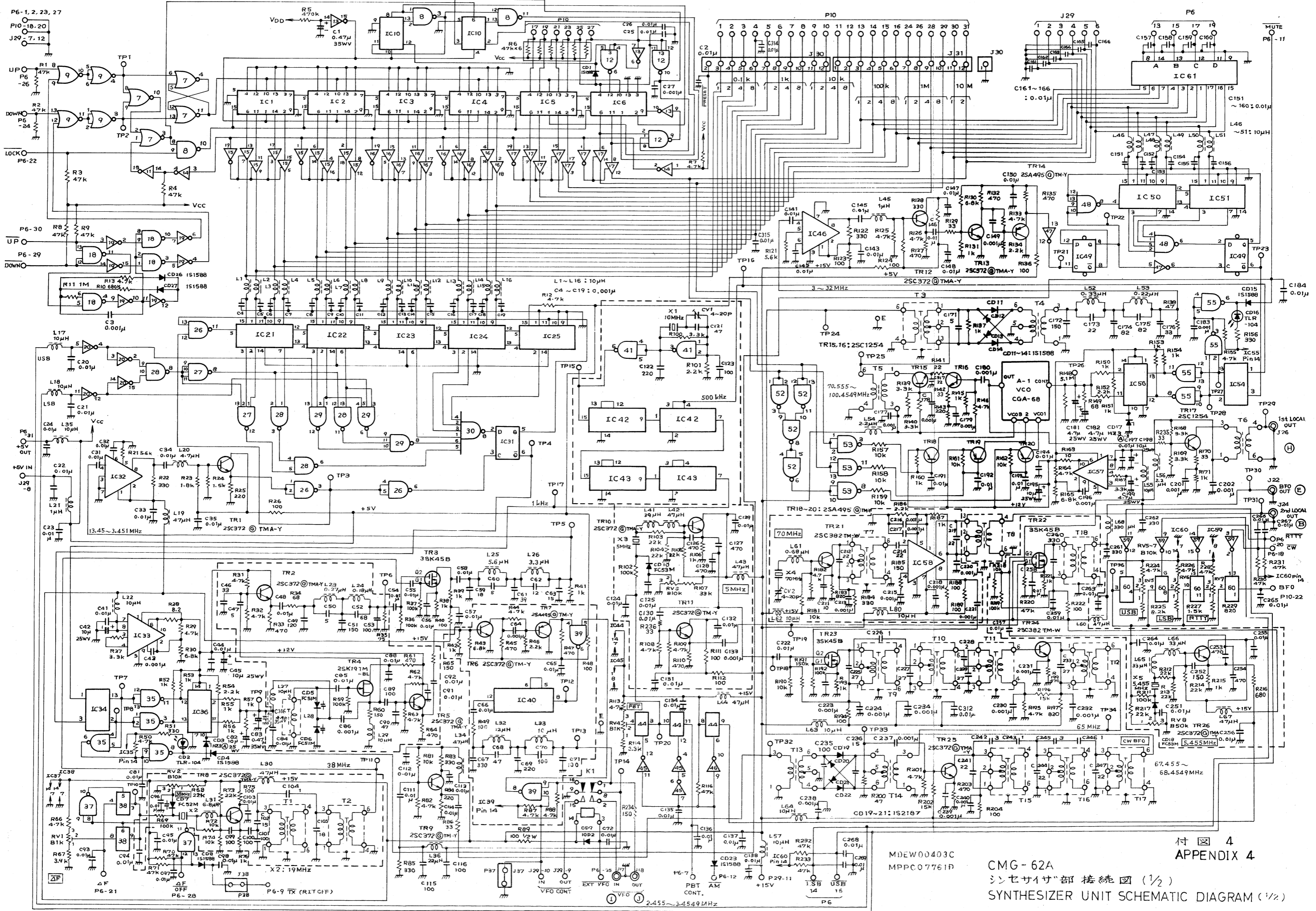
付図 2
 APPENDIX 2

注 1). 特記外の抵抗は全てΩおよび1/4Wを示し、容量はPFを示す。
 2). ※印は調整用部品を示す。
 NOTES 1. UNLESS OTHERWISE INDICATED RESISTANCES ARE IN OHMS CAPACITANCES ARE IN MICRO-MICRO FARADS.
 2. * VALUES SELECTED IN MANUFACTURE.



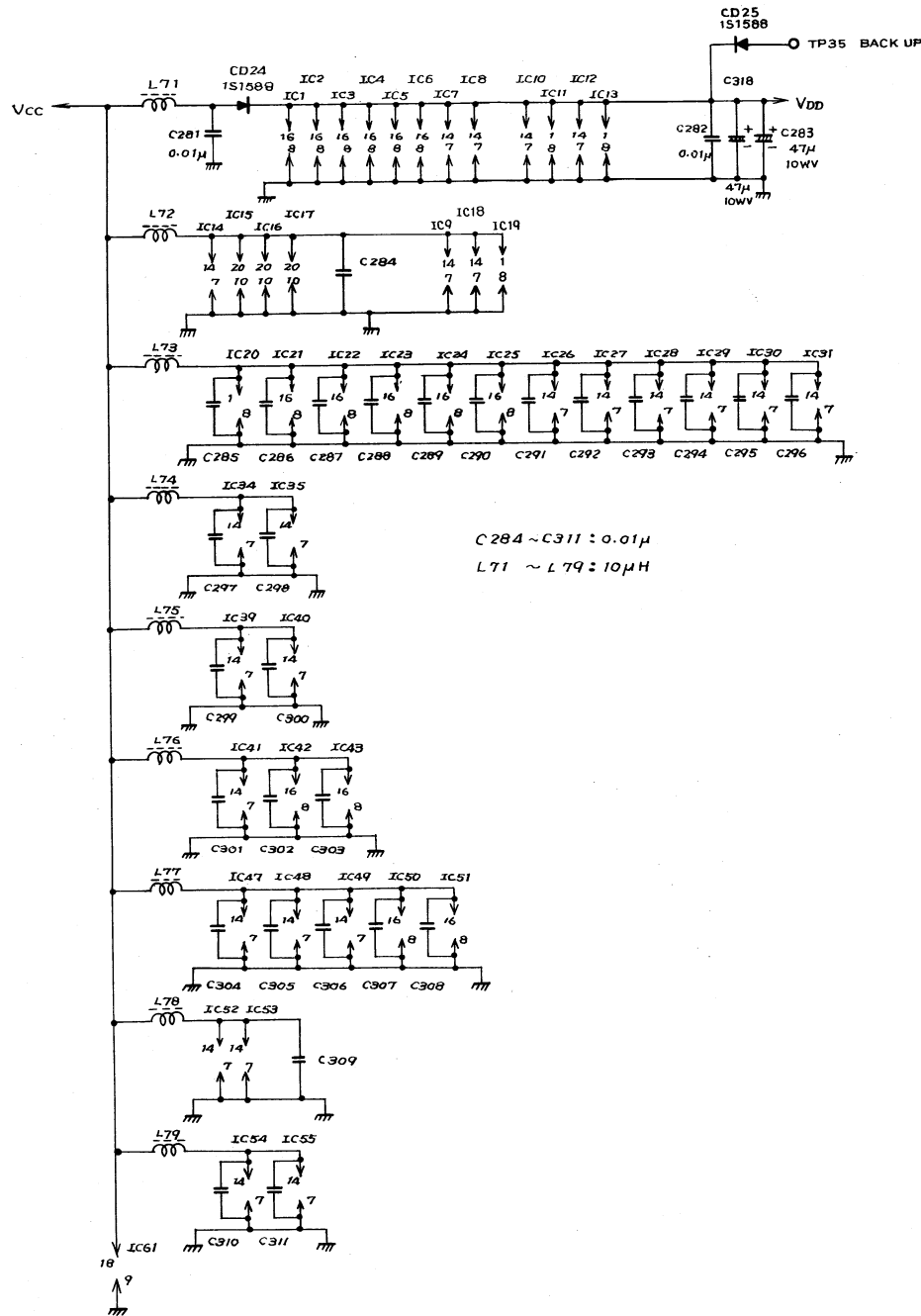
付図 3
APPENDIX 3
CMA-105A
受信部接続図
RECEIVER UNIT SCHEMATIC DIAGRAM

MDMW 00552.C
MPPC 07760.D



MDEW00403C
MPPC07761P

付図4
APPENDIX 4
CMG-62A
シセサイサ部接続図(1/2)
SYNTHESIZER UNIT SCHEMATIC DIAGRAM (1/2)



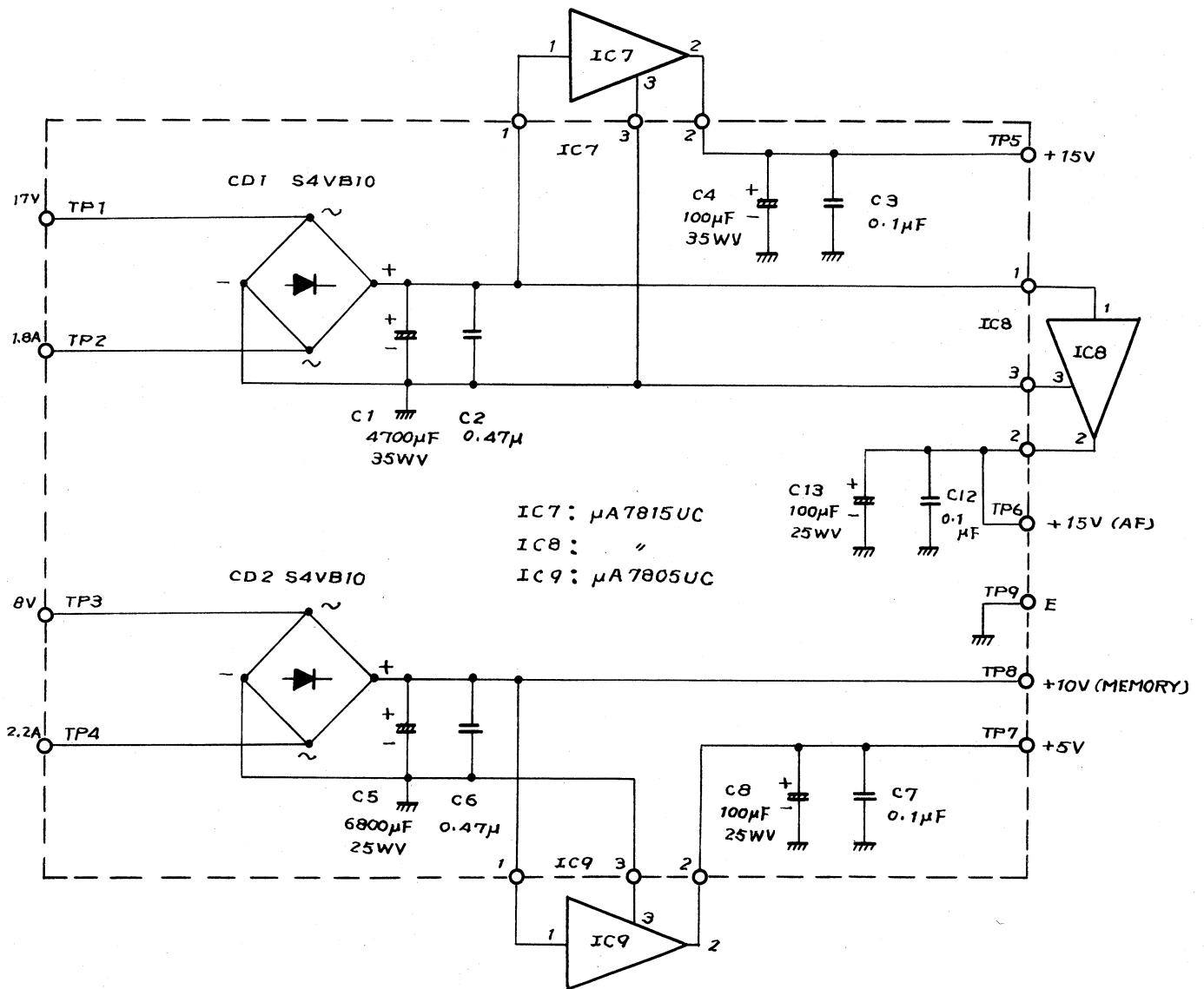
| | | | |
|------|------------|------|------------|
| IC1 | TC4510BP | IC36 | TC4016BP |
| IC2 | " | IC37 | TC4011BP |
| IC3 | " | IC38 | TC4016BP |
| IC4 | " | IC39 | SN74LS00N |
| IC5 | " | IC40 | SN74LS196N |
| IC6 | " | IC41 | SN7400N |
| IC7 | TC4001BP | IC42 | SN74LS390N |
| IC8 | TC4011BP | IC43 | " |
| IC9 | TC4001BP | IC44 | TC4016BP |
| IC10 | TC4013BP | IC45 | TC4049BP |
| IC11 | TC4049BP | IC46 | MC1350P |
| IC12 | TC4023BP | IC47 | SN74LS04N |
| IC13 | TC4049BP | IC48 | SN74LS20N |
| IC14 | SN74LS04N | IC49 | SN74S74N |
| IC15 | SN74LS244N | IC50 | SN74LS192N |
| IC16 | " | IC51 | " |
| IC17 | " | IC52 | SN74LS00N |
| IC18 | TC4011BP | IC53 | SN74LS26N |
| IC19 | TC4049BP | IC54 | 11C44DC |
| IC20 | " | IC55 | SN74LS26N |
| IC21 | SN74LS192N | IC56 | TC4016BP |
| IC22 | " | IC57 | μA723T |
| IC23 | " | IC58 | TA7045M |
| IC24 | " | IC59 | TC4049BP |
| IC25 | " | IC60 | TC4016BP |
| IC26 | SN74LS00N | IC61 | μPB426D(2) |
| IC27 | SN74LS10N | | |
| IC28 | SN74LS00N | | |
| IC29 | SN74LS10N | | |
| IC30 | SN74H30N | | |
| IC31 | SN74S74N | | |
| IC32 | MC1350P | | |
| IC33 | μA723T | | |
| IC34 | 11C44DC | | |
| IC35 | SN74LS26N | | |

MC 4044

MC 4044

付図 5
APPENDIX 5

CMG-62A
シンセサイザ部 接続図 (2/2)
SYNTHESIZER UNIT SCHEMATIC DIAGRAM (2/2)



MDBW00795
MPPC07962

付図 6
APPENDIX 6

CBD - 375

電源部接続図

RECTIFIER UNIT SCHEMATIC DIAGRAM