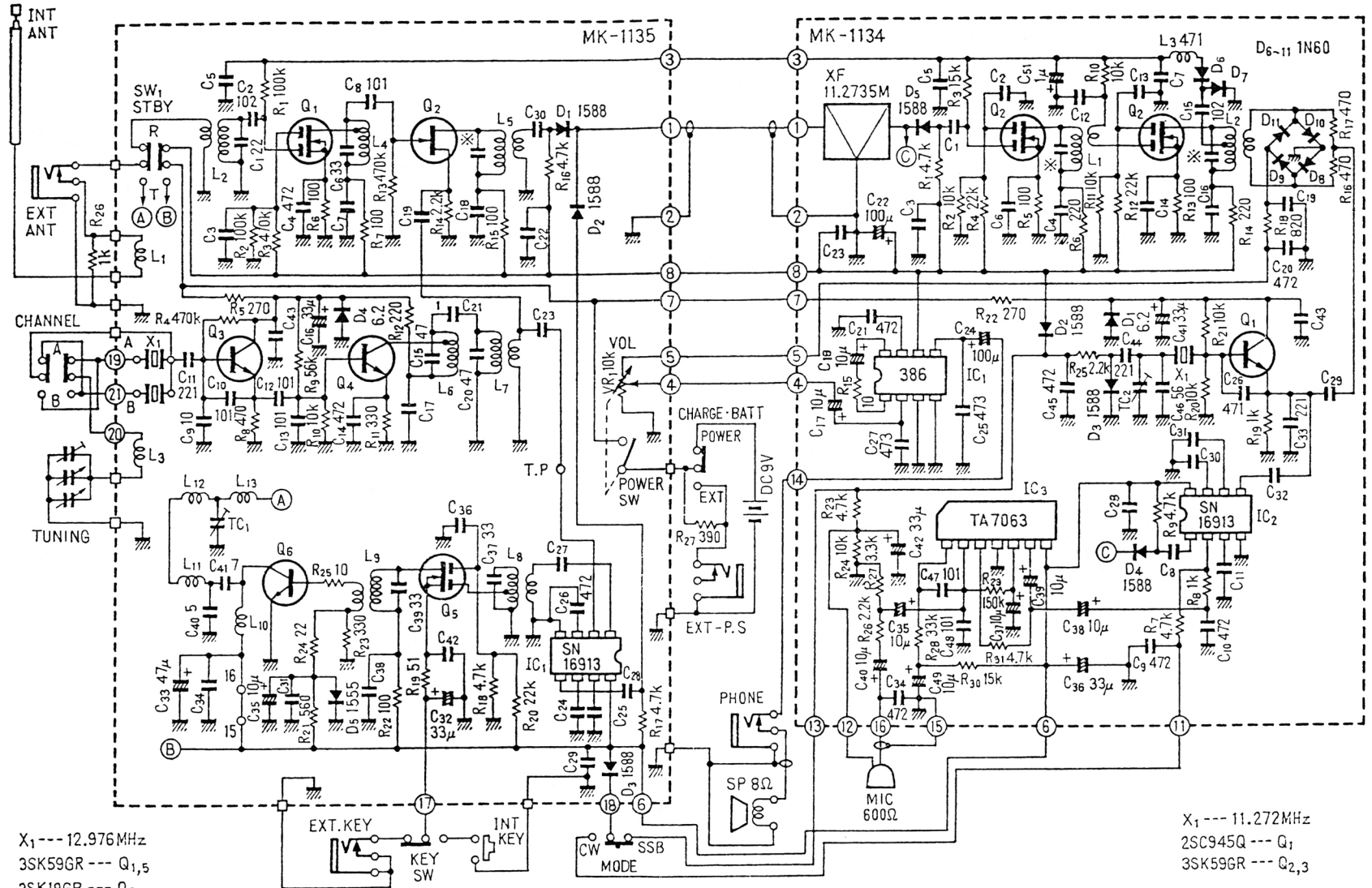


MX-6の全回路図

(定数の無いCは全て103) 除く※印



X1 --- 12.976MHz
 3SK59GR --- Q1,5
 2SK196R --- Q2
 2SC372Y --- Q3
 2SC945Q --- Q4
 2SC741 --- Q6

X1 --- 11.272MHz
 2SC945Q --- Q1
 3SK59GR --- Q2,3