

| | | | | | |
|---------|-----------|---------|-------------|----------|----------|
| RED HVY | 13.5V | WHT HVY | 9V (8-8.4V) | PNK FINE | M METER |
| GRN HVY | RB FOR RX | 13.5V | BLK FINE | TE GND | TX |
| ORG HVY | TB FOR TX | 13.5V | GRY FINE | RE GND | TX |
| | | | | BRN FINE | TM METER |
| | | | | | TX |

MIC IN

SE AF

FM

MIC OUT

MIC OUT

SP

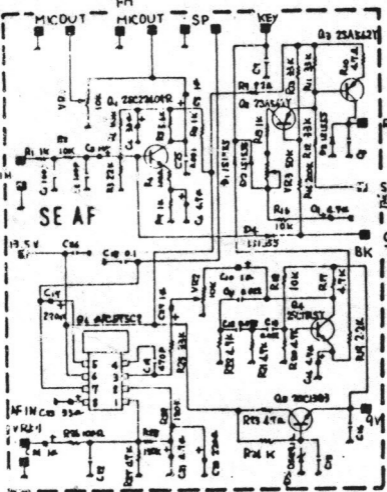
KEY

PL

SSB FM
7-2

CW 7-X

BK



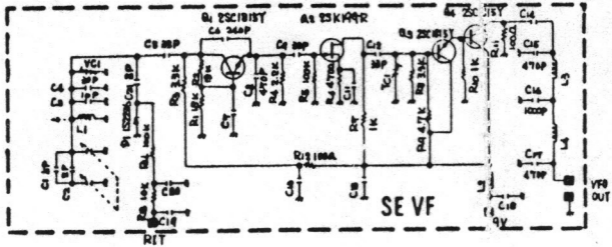
AF IN C10 55p

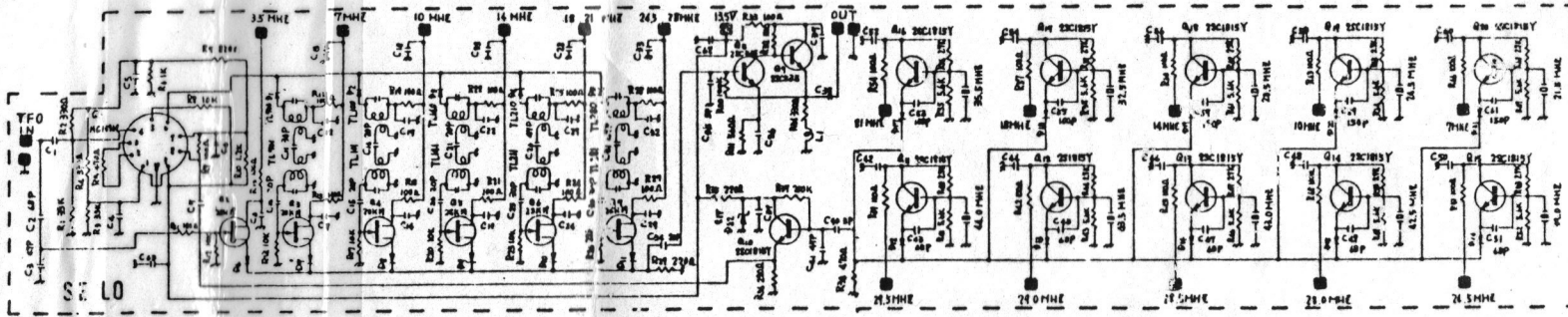
V12-1 P10 100p

R1 1K R2 10K R3 27K R4 100K R5 10K R6 10K R7 10K R8 10K R9 10K R10 10K R11 10K R12 10K R13 10K R14 10K R15 10K R16 10K R17 10K R18 10K R19 10K R20 10K R21 10K R22 10K R23 10K R24 10K R25 10K R26 10K R27 10K R28 10K R29 10K R30 10K R31 10K R32 10K R33 10K R34 10K R35 10K R36 10K R37 10K R38 10K R39 10K R40 10K R41 10K R42 10K R43 10K R44 10K R45 10K R46 10K R47 10K R48 10K R49 10K R50 10K

C1 100p C2 100p C3 100p C4 100p C5 100p C6 100p C7 100p C8 100p C9 100p C10 100p

Q1 2N272M04R Q2 2N4647 Q3 2N4647 Q4 2N3055 Q5 2N3055 Q6 2N4647





Note : Subject to unnoticed modificatio