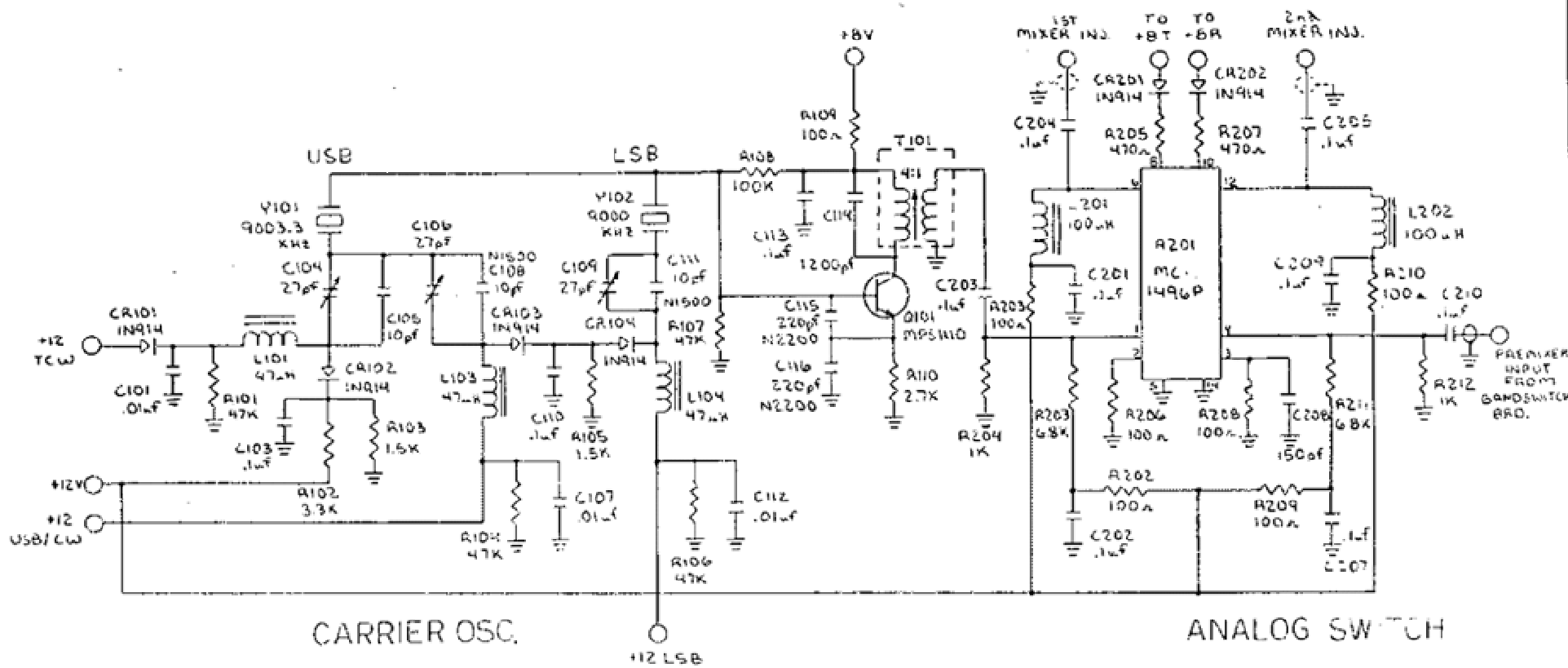


1. COMPONENT DESIGNATORS 3000 SERIES
NOTES:

SWAN ELECTRONICS		
SCALE: NONE	APPROVED BY:	DRAWN BY: DAVIDS
DATE: 10-17-78		REVISED
BANDSWITCH BRD LAYOUT		DRAWING NUMBER



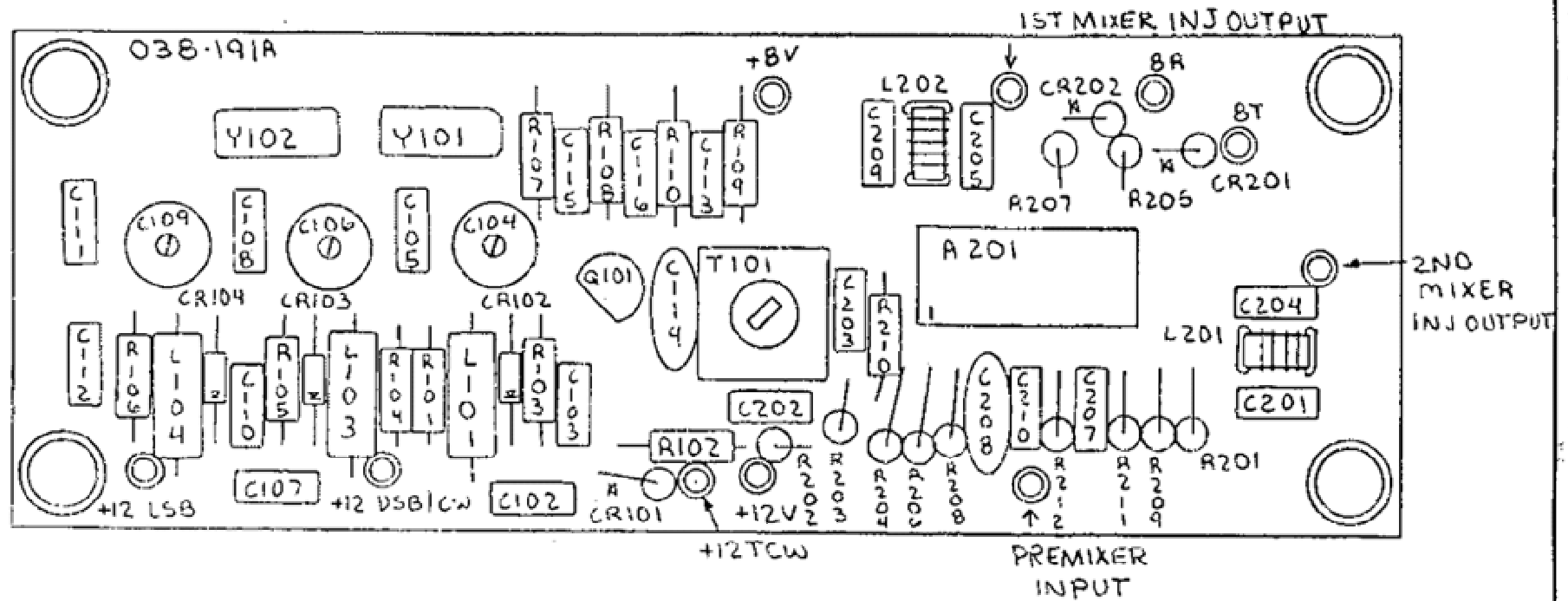
CARRIER OSC.

ANALOG SWITCH

SWAN ELECTRONICS

SCALE: NONE	APPROVED BY:	DRAWN BY: David Dwyer
DATE: 10-12-78		REVISED
CARRIER OSC., ANALOG SW BRD 038 191A		
		DRAWING NUMBER

1. COMPONENT DESIGNATORS +2000 +FD 1
NOTES



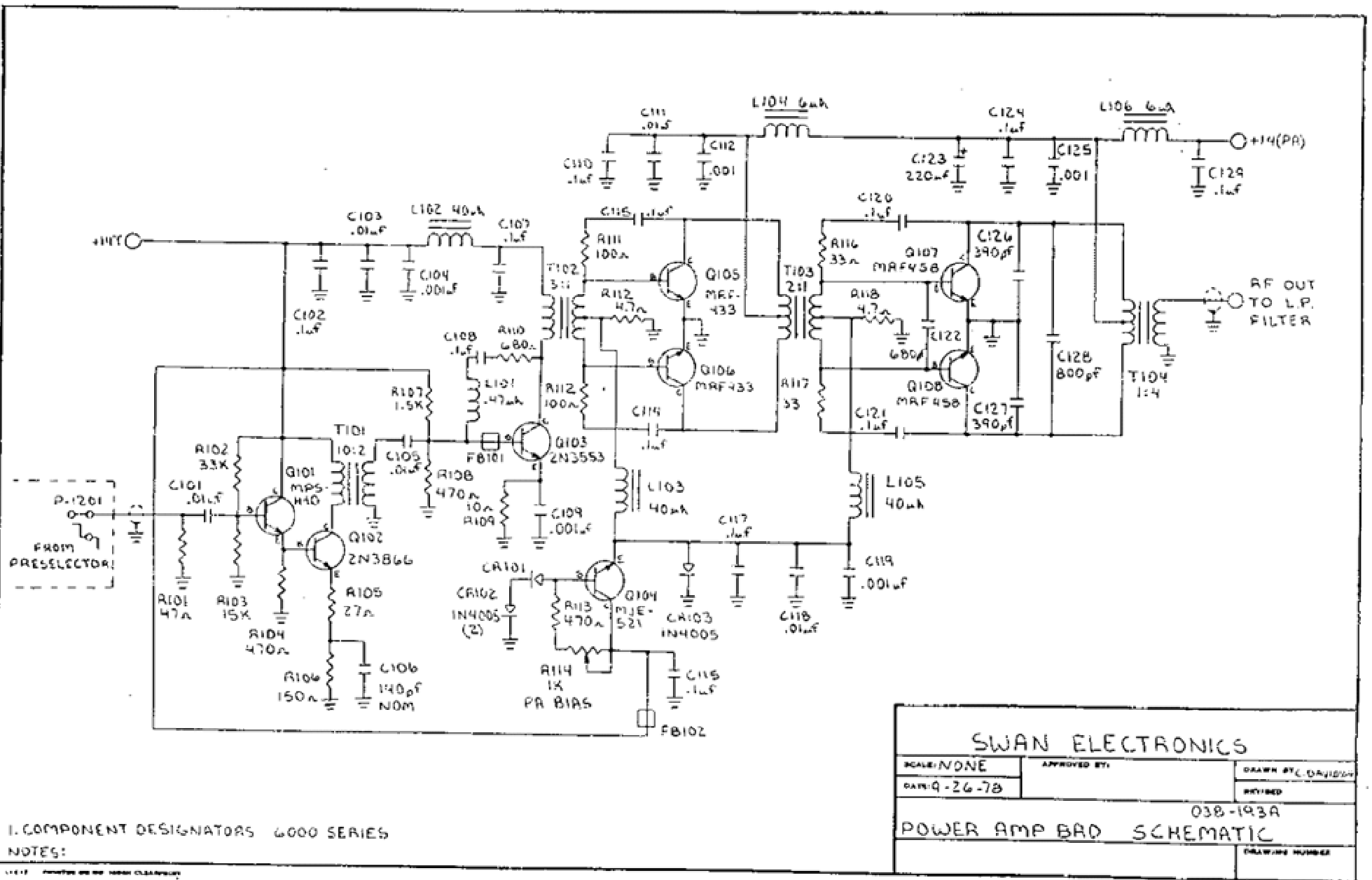
SWAN ELECTRONICS

SCALE: NONE	APPROVED BY:	DRAWN BY: DAVI050M
DATE: 9-13-78		REVISED

CARRI OSC. BRD LAYOUT

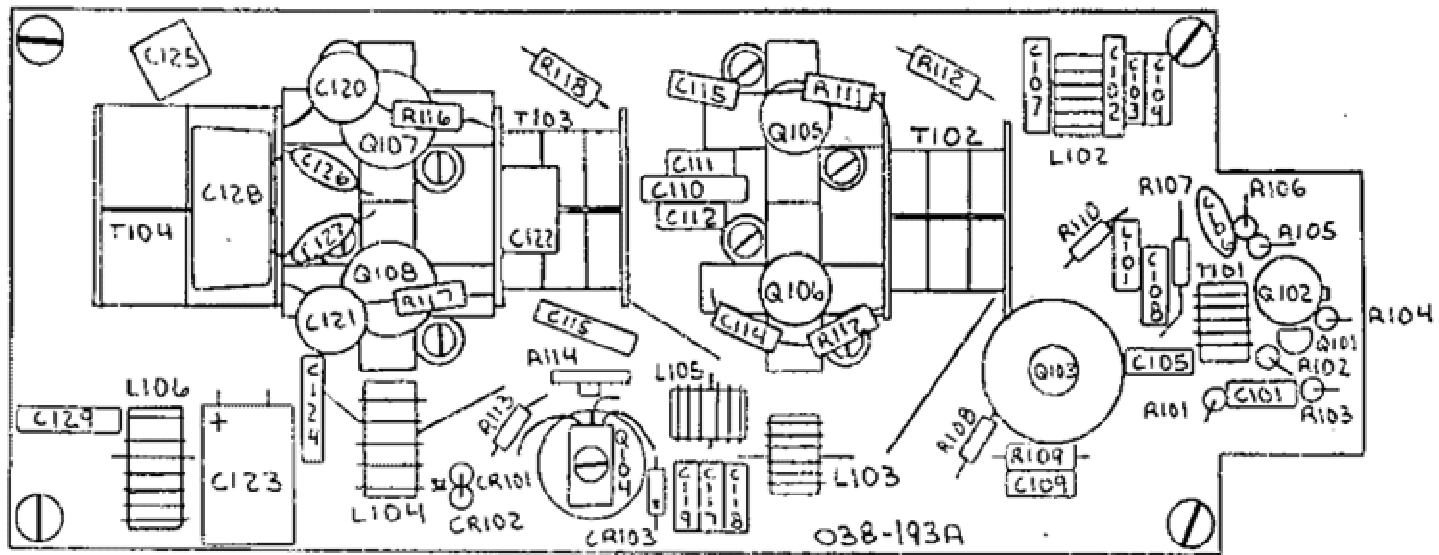
DRAWING NUMBER

1. COMPONENT DESIGNATORS 4000 SERIES
NOTES:



1. COMPONENT DESIGNATORS 6000 SERIES
 NOTES:

SWAN ELECTRONICS		
SCALE: NONE	APPROVED BY:	DRAWN BY: DAVIDSON
DATE: 9-26-78		REVISED
038-193A		
POWER AMP BAD SCHEMATIC		
		DRAWING NUMBER



SWAN ELECTRONICS

SCALE: NONE

APPROVED BY:

DRAWN BY: DQVIDSO

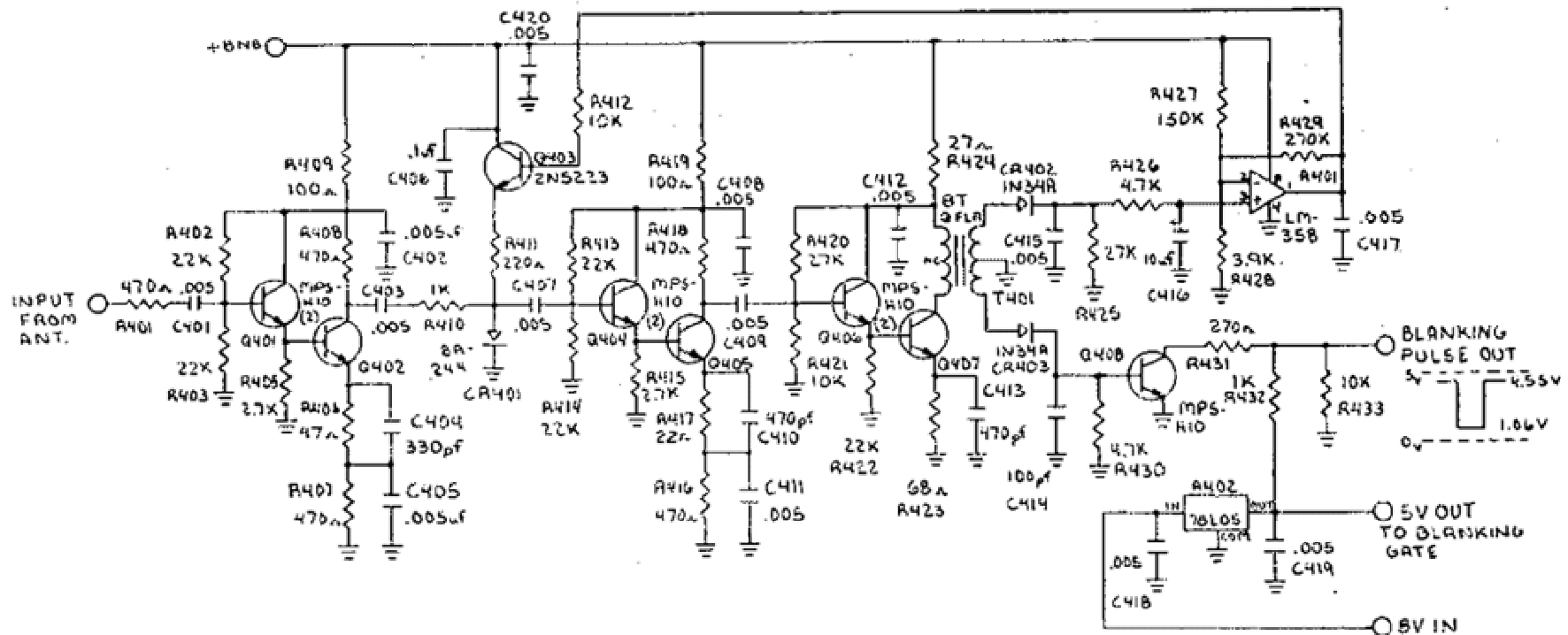
DATE: 9-14-78

REVISED

POWER AMP BRD LAYOUT

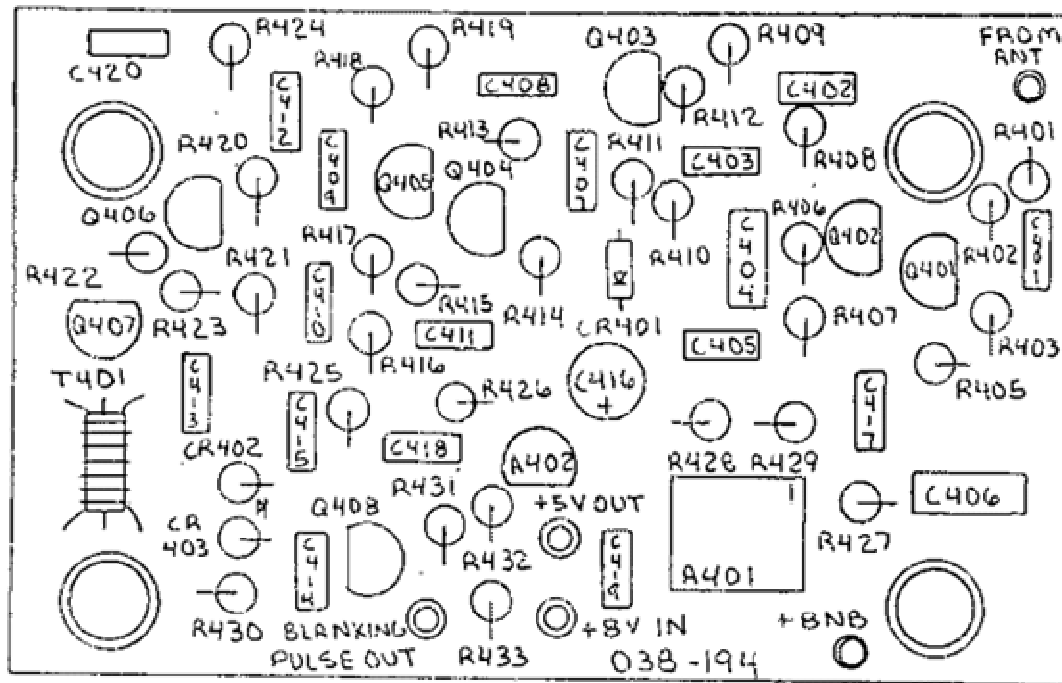
DRAWING NUMBER

1. COMPONENT DESIGNATORS 6000 SERIES
NOTES



1. COMPONENT DESIGNATORS 7400 SERIES
 NOTES:

SWAN ELECTRONICS		
SCALE: NONE	APPROVED BY:	DRAWN BY: ORH/COON
DATE: 9-22-78		REVISED
038-194E		
NOISE BLANKER BAD SCHEMATIC		
		DRAWING NUMBER



SWAN ELECTRONICS

SCALE: NONE

APPROVED BY:

DRAWN BY: DAVIDSON

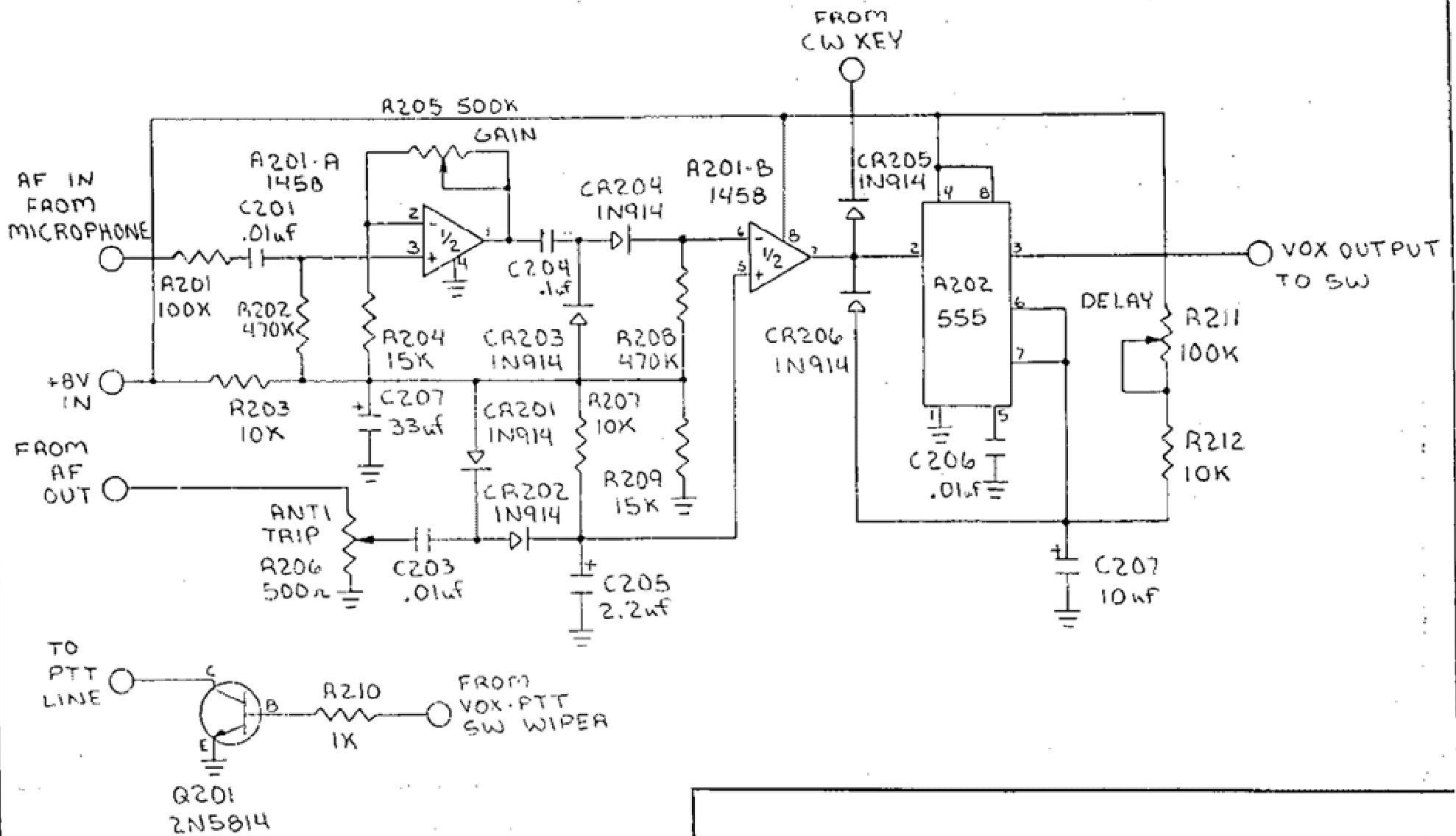
DATE: 9-18-78

REVISED

NOISE BLANKER BRD LAYOUT

DRAWING NUMBER

1. COMPONENT DESIGNATORS 7400 SERIES
NOTES



1. COMPONENT DESIGNATORS 7200 SERIES
NOTES

SWAN ELECTRONICS

SCALE: NONE

APPROVED BY:

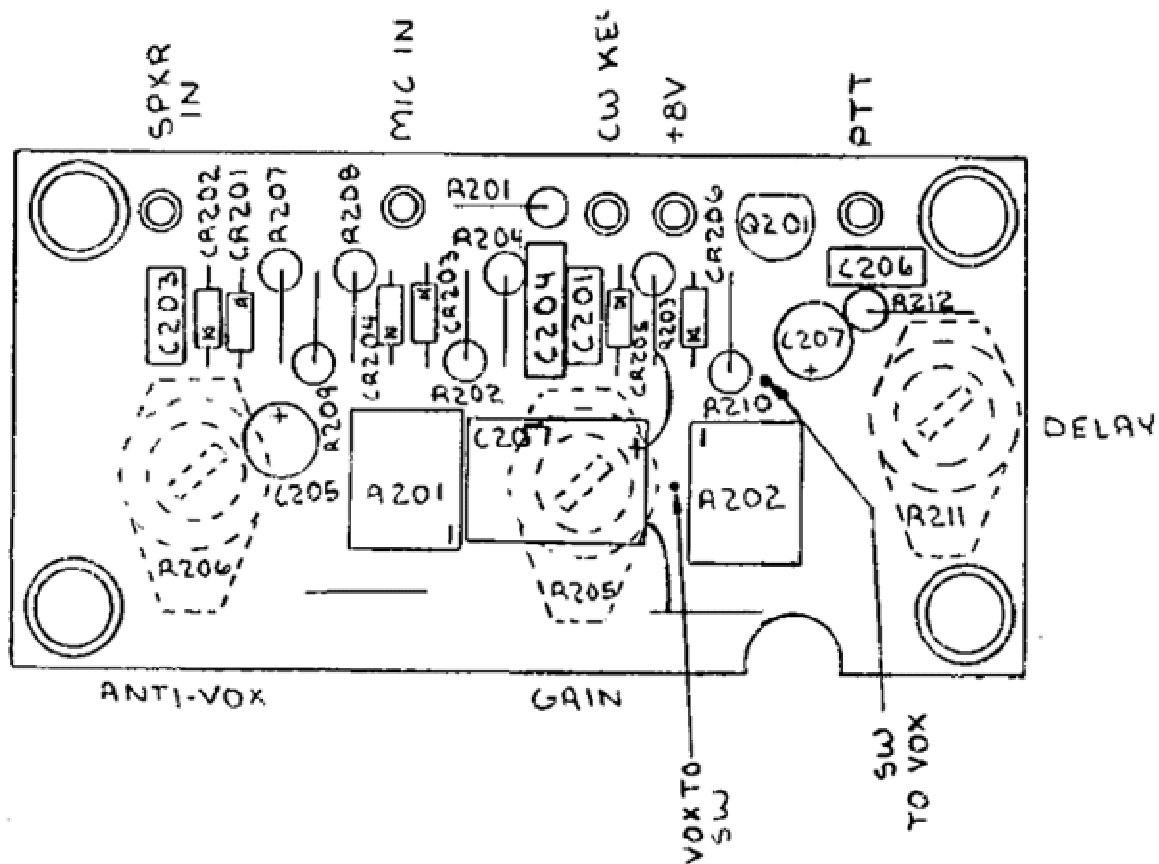
DRAWN BY: DAVIDSON

DATE:

REVISED

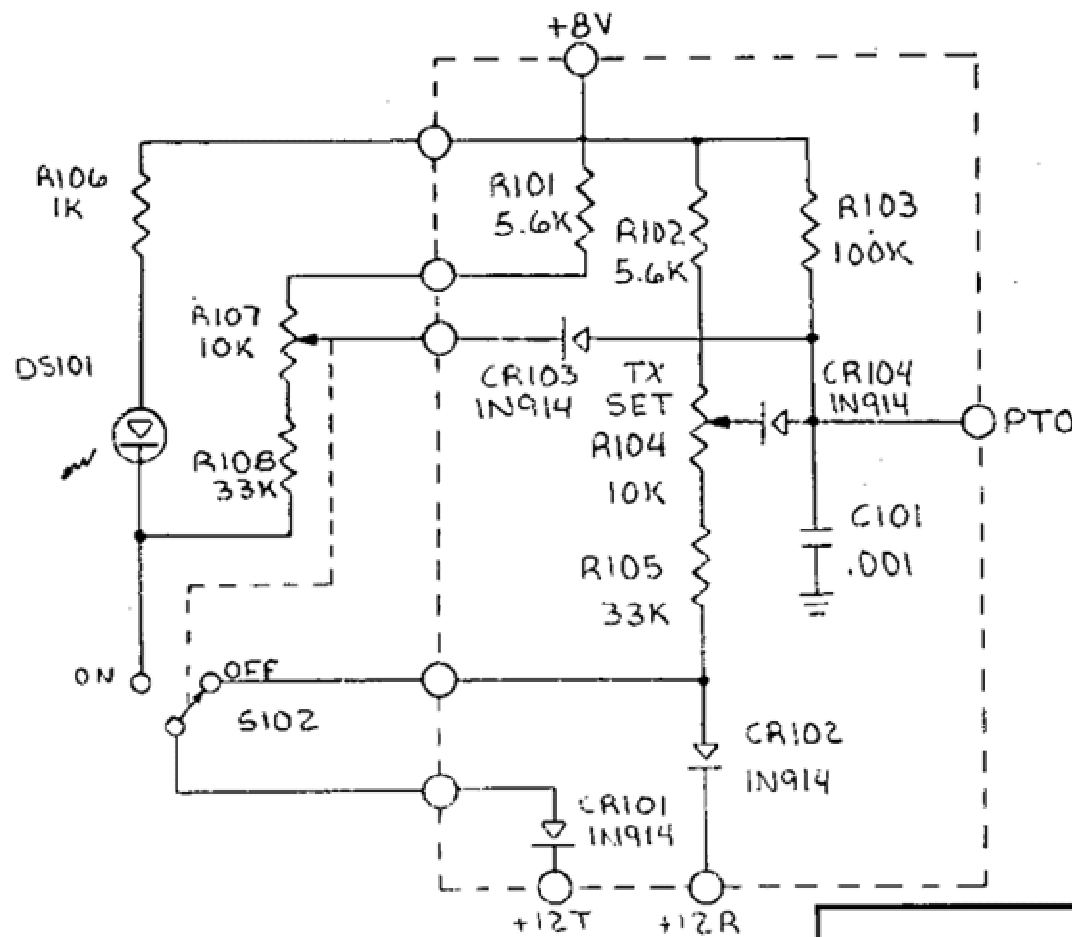
VOX/PTT BRD. SCHEMATIC 038-195A

DRAWING NUMBER



1. COMPONENT DESIGNATOR 7200 SERIES
 NOTES

SWAN ELECTRONICS		
SCALE: NONE	APPROVED BY:	DRAWN BY C. DAVIDSON
DATE: 9-1-78		REVISED
PTT-VOX BRD LAYOUT		
		DRAWING NUMBER



SWAN ELECTRONICS

SCALE: NONE

APPROVED BY:

DRAWN BY: DAVIDSON

DATE: 9-23-78

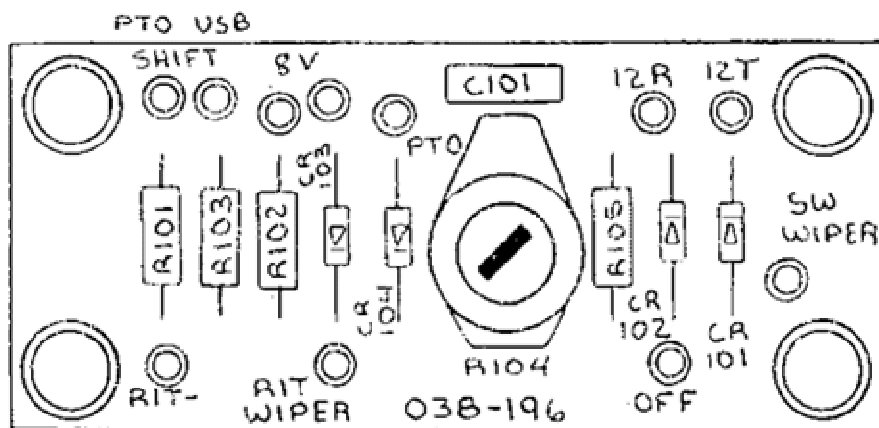
REVISED

RIT BRD SCHEMATIC

038-196A

DRAWING NUMBER

1. COMPONENT DESIGNATORS 7100 SERIES
 NOTES:



SWAN ELECTRONICS

SCALE: NONE

APPROVED BY:

DRAWN BY: DAVIDSON

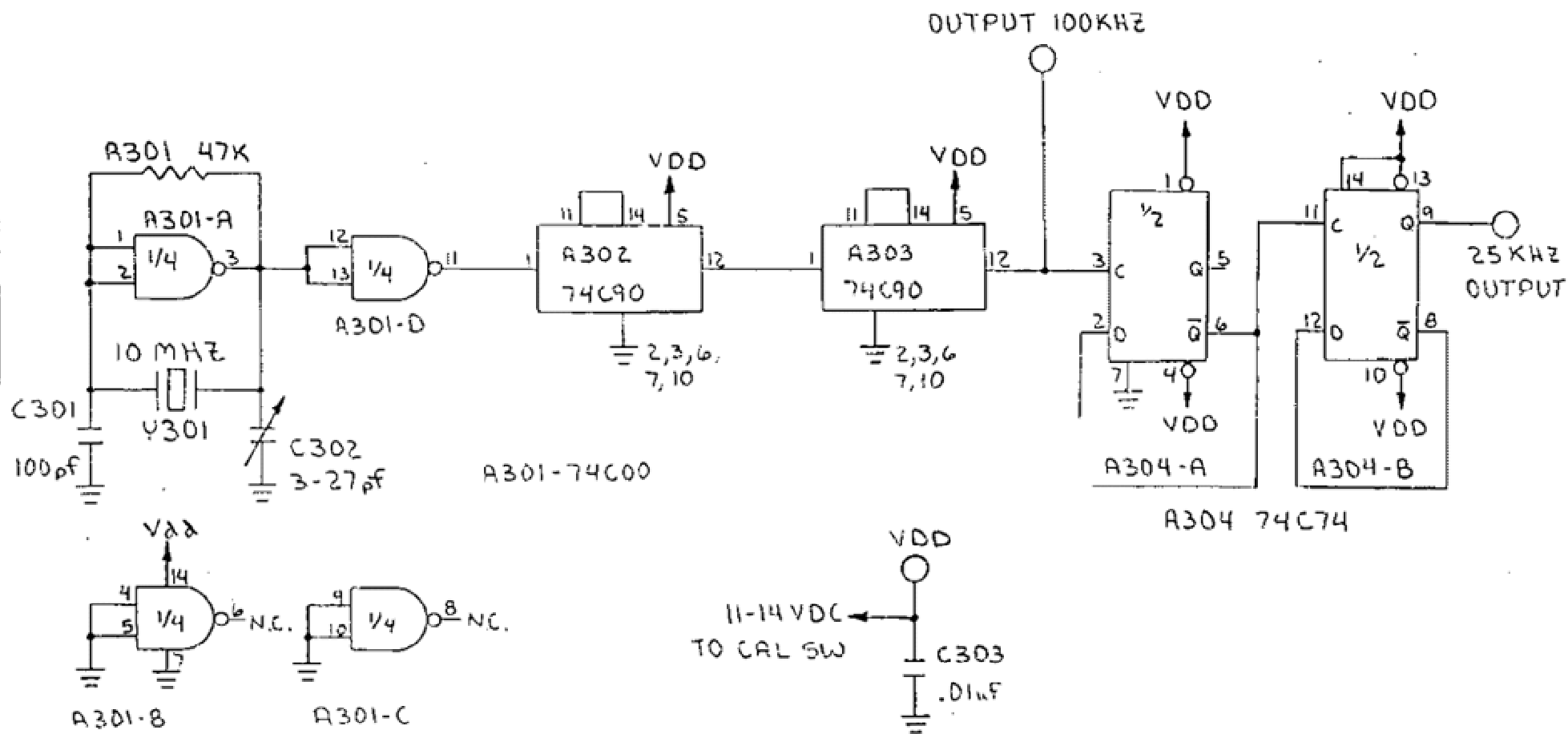
DATE: 8-31-78

REVISED

RIT BRD LAYOUT

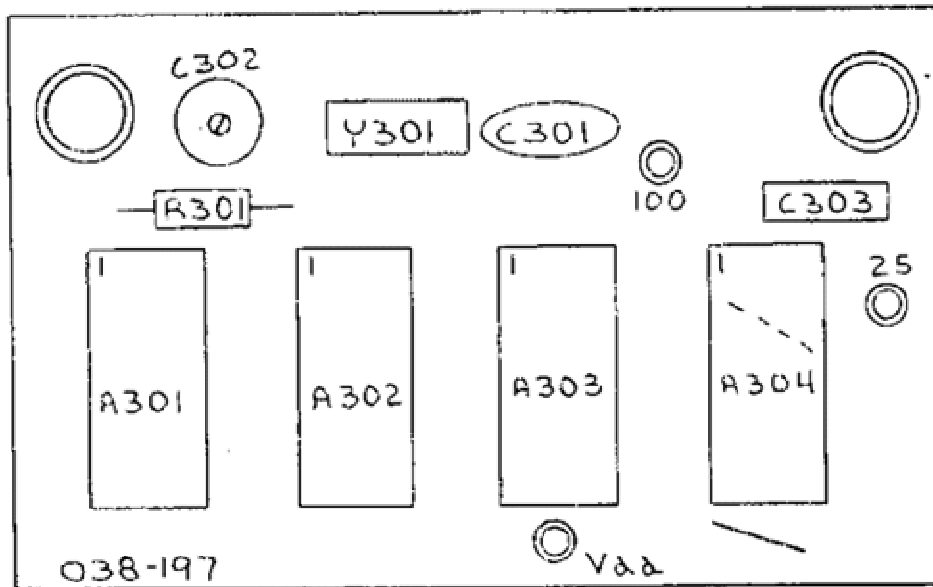
DRAWING NUMBER

1. COMPONENT DESIGNATORS 7100 SERIES
NOTES



1. COMPONENT DESIGNATORS 7300 SERIES NOTES:

SWAN ELECTRONICS		
SCALE: NONE	APPROVED BY:	DRAWN BY: DAVIDSON
DATE: 9-25-78		REVISED
038-197		
CALIBRATOR BD. SCHEMATIC		
		DRAWING NUMBER



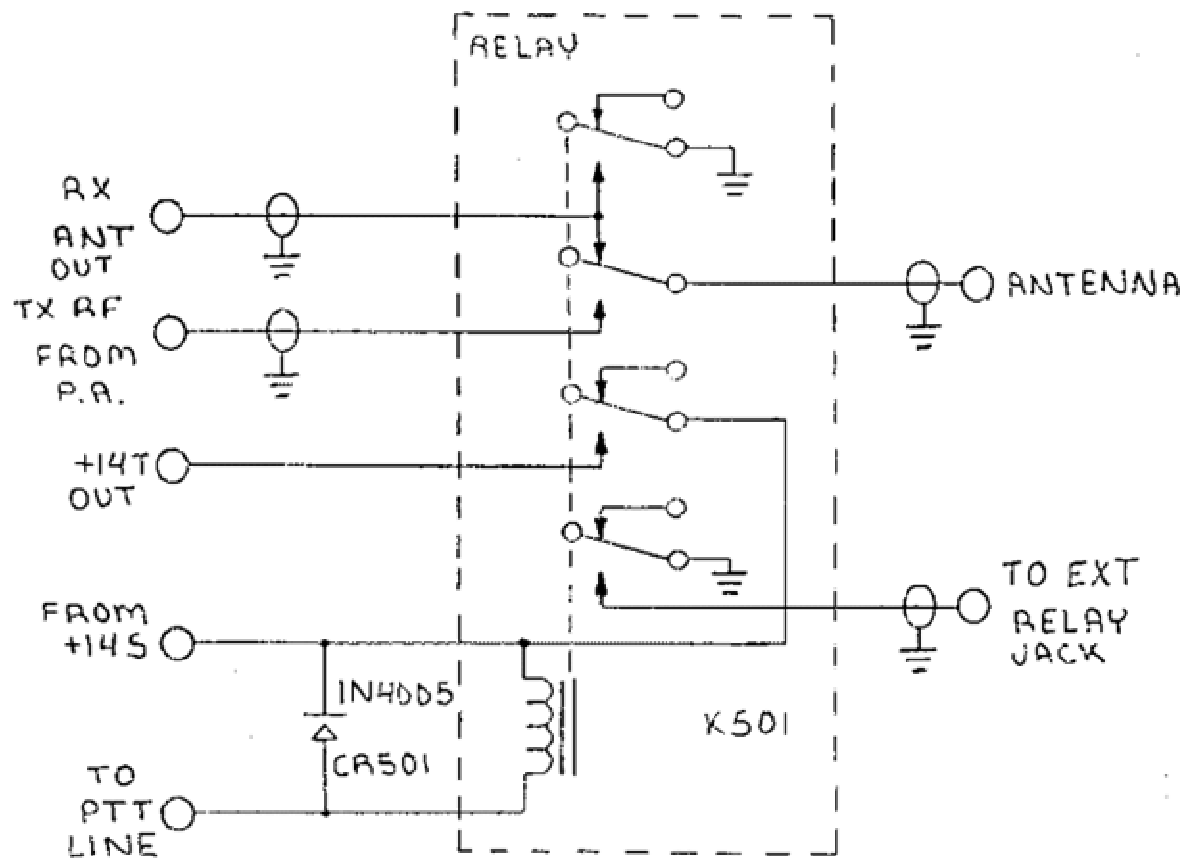
SWAN ELECTRONICS

SCALE: NONE	APPROVED BY:	DRAWN BY C. DAVIDSON
DATE: 8-31-76		REVISED

CRYSTAL CALIBRATOR BRD

1. COMPONENT DESIGNATORS 7300 SERIES
 NOTES:

DRAWING NUMBER



SWAN ELECTRONICS

SCALE: NONE

APPROVED BY:

DRAWN BY C. DAVIDSON

DATE: 9-25-78

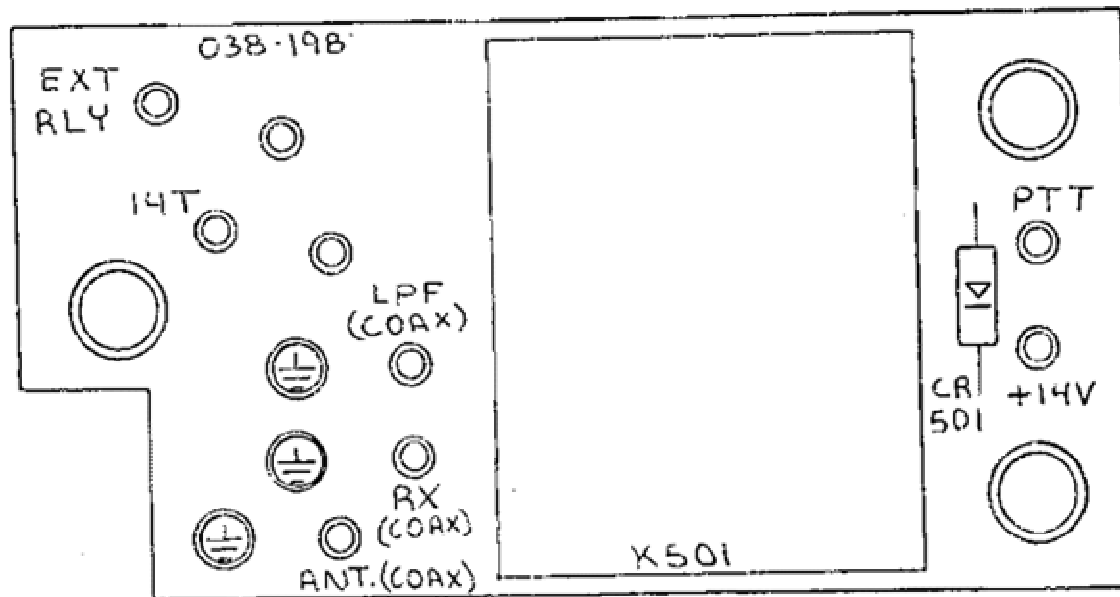
REVISED

038-198A

ANTENNA RELAY BD. SCHEMATIC

DRAWING NUMBER

1. COMPONENT DESIGNATORS 7500 SERIES
NOTES



SWAN ELECTRONICS

SCALE: NONE

APPROVED BY:

DRAWN BY: DAVIDSON

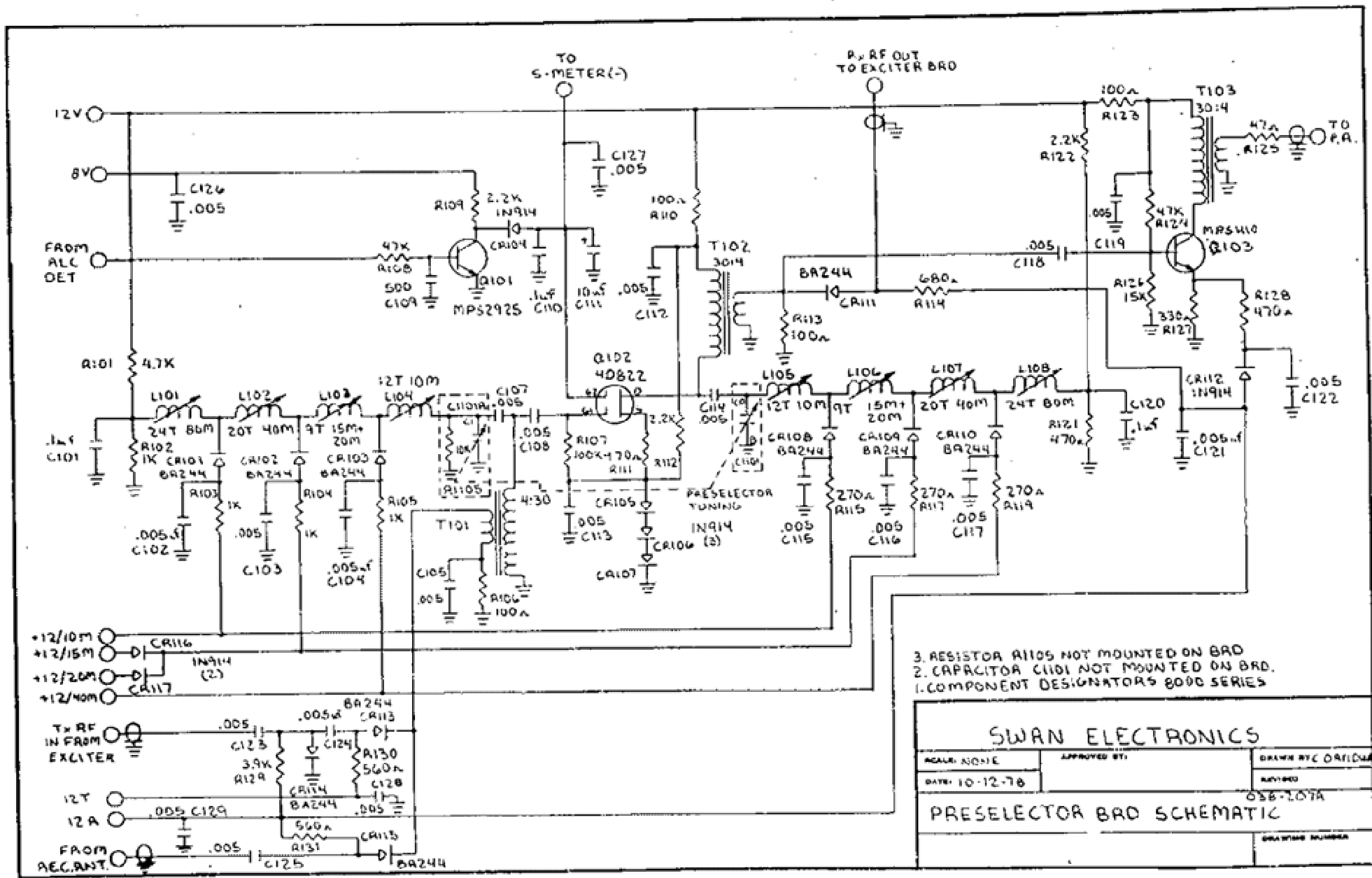
DATE: 8-31-78

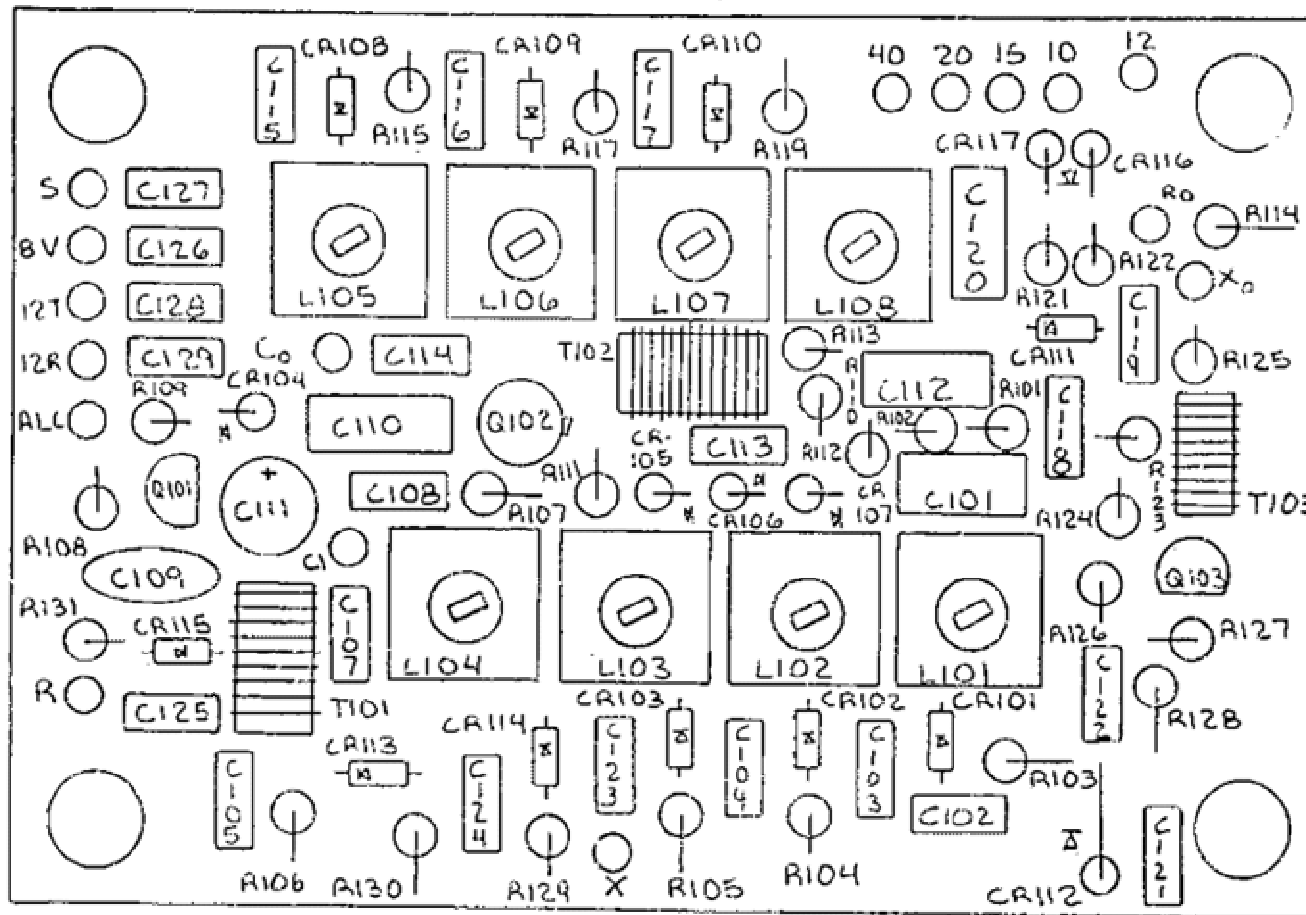
REVISED

ANTENNA RELAY BRD

DRAWING NUMBER

1. COMPONENT DESIGNATORS 7500 SERIES
NOTES:





SWAN ELECTRONICS

SCALE: NONE

APPROVED BY:

DRAWN BY: DAVIDSON

DATE: 10-12-78

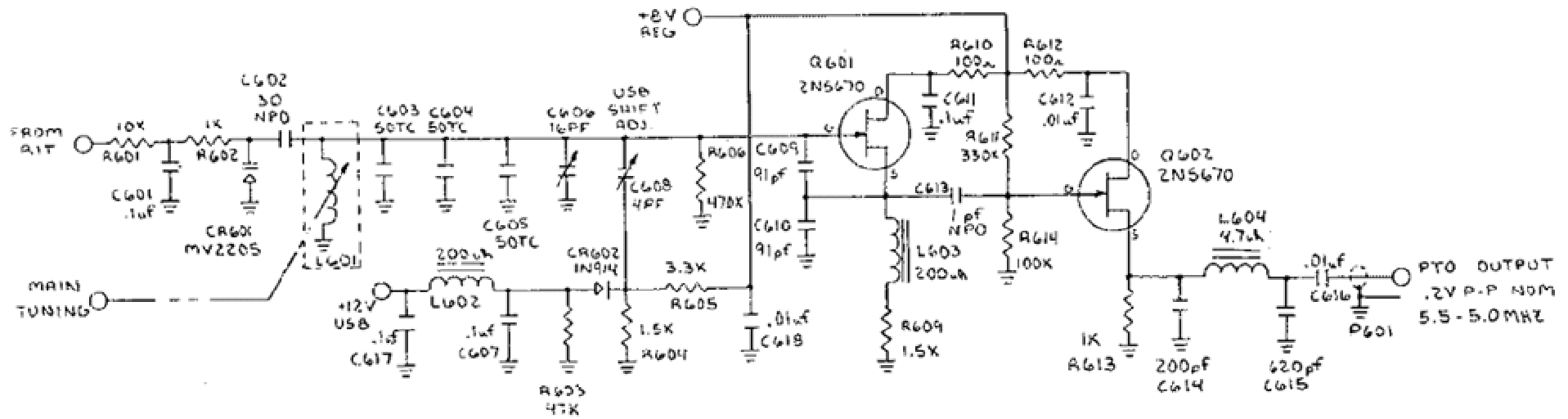
REVISED

PRESELECTOR BRD LAYOUT

DRAWING NUMBER

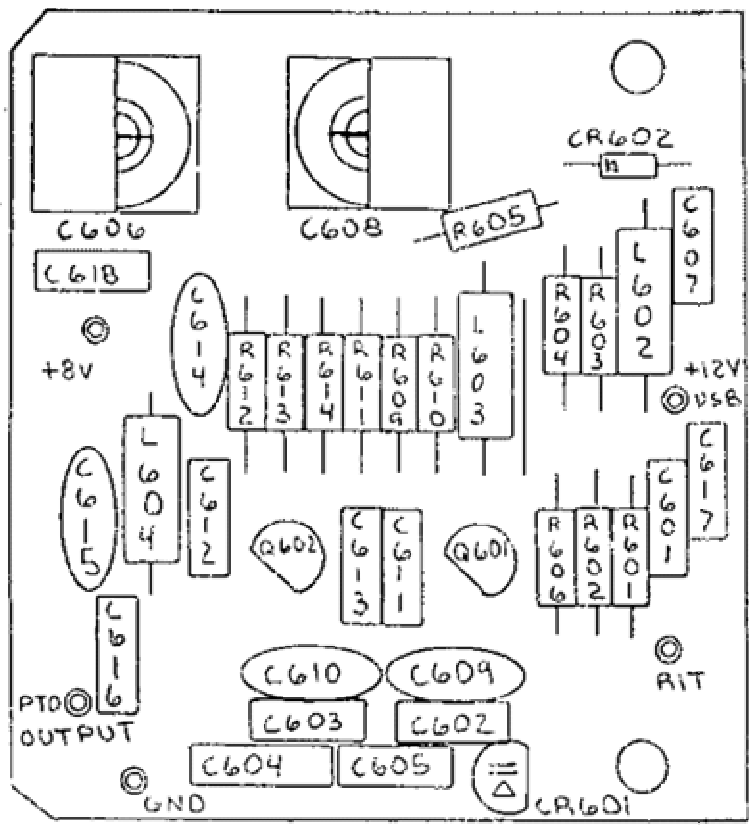
1. COMPONENT DESIGNATORS 8000 SERIES

UNTEC

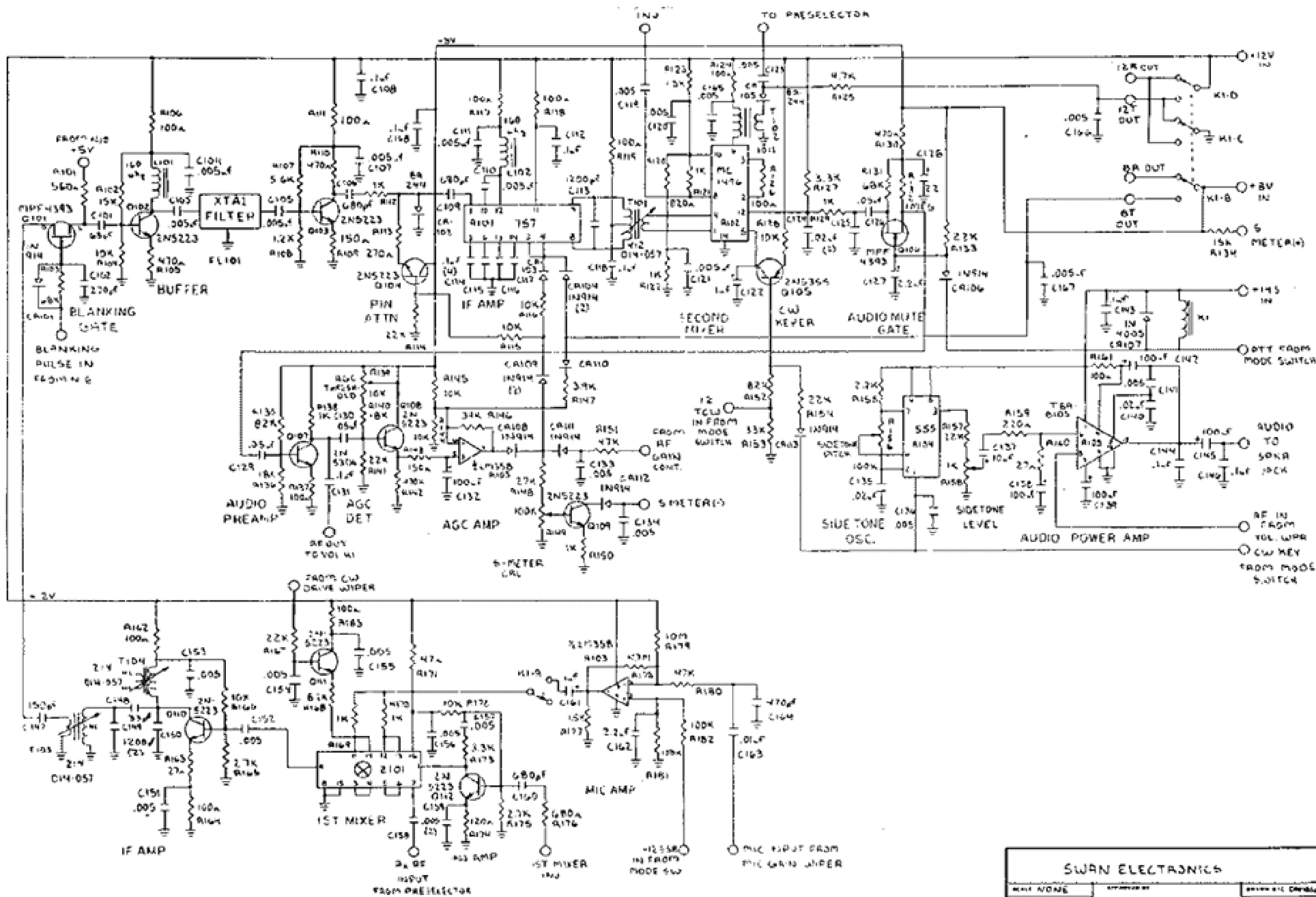


1. COMPONENT DESIGNATORS 7600 SERIES
 NOTES

SWAN ELECTRONICS		
SCALE: NONE	APPROVED BY:	DRAWN BY: DAVIS006
DATE: 9-22-78		REVISED
PTO BRD SCHEMATIC (038-188A)		
		DRAWING NUMBER

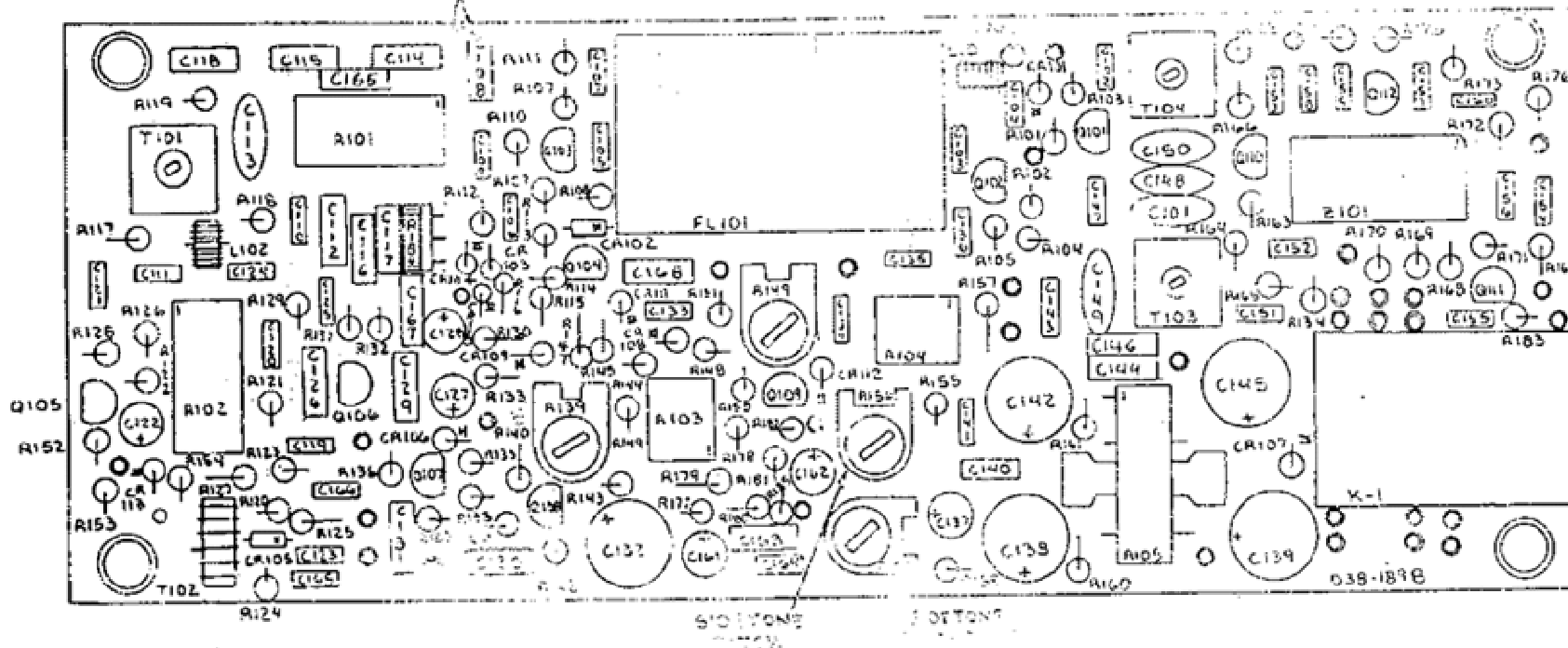


<h1>SWAN ELECTRONICS</h1>		
SCALE: NONE	APPROVED BY:	DRAWN BY: DAVIDSON
DATE: 9-14-78		REVISED
<h2>PTO BRD LAYOUT</h2>		
		DRAWING NUMBER



1 COMPONENT DESIGNATORS 2000 SERIES
NOTES

SWAN ELECTRONICS		
NAME: A-217B	REVISED BY:	DATE: 11/1/78
EXCITER RADIO SCHEMATIC (30-1898)		
PARTS LIST NUMBER		



1. COMPONENT DESIGNATORS 2000 SERIES

NOTES:

SWAN ELECTRONICS

SCALE: NONE

APPROVED BY:

JEM

DRAWN BY: DRVIDSON

DATE: 9-18-78

REVISED

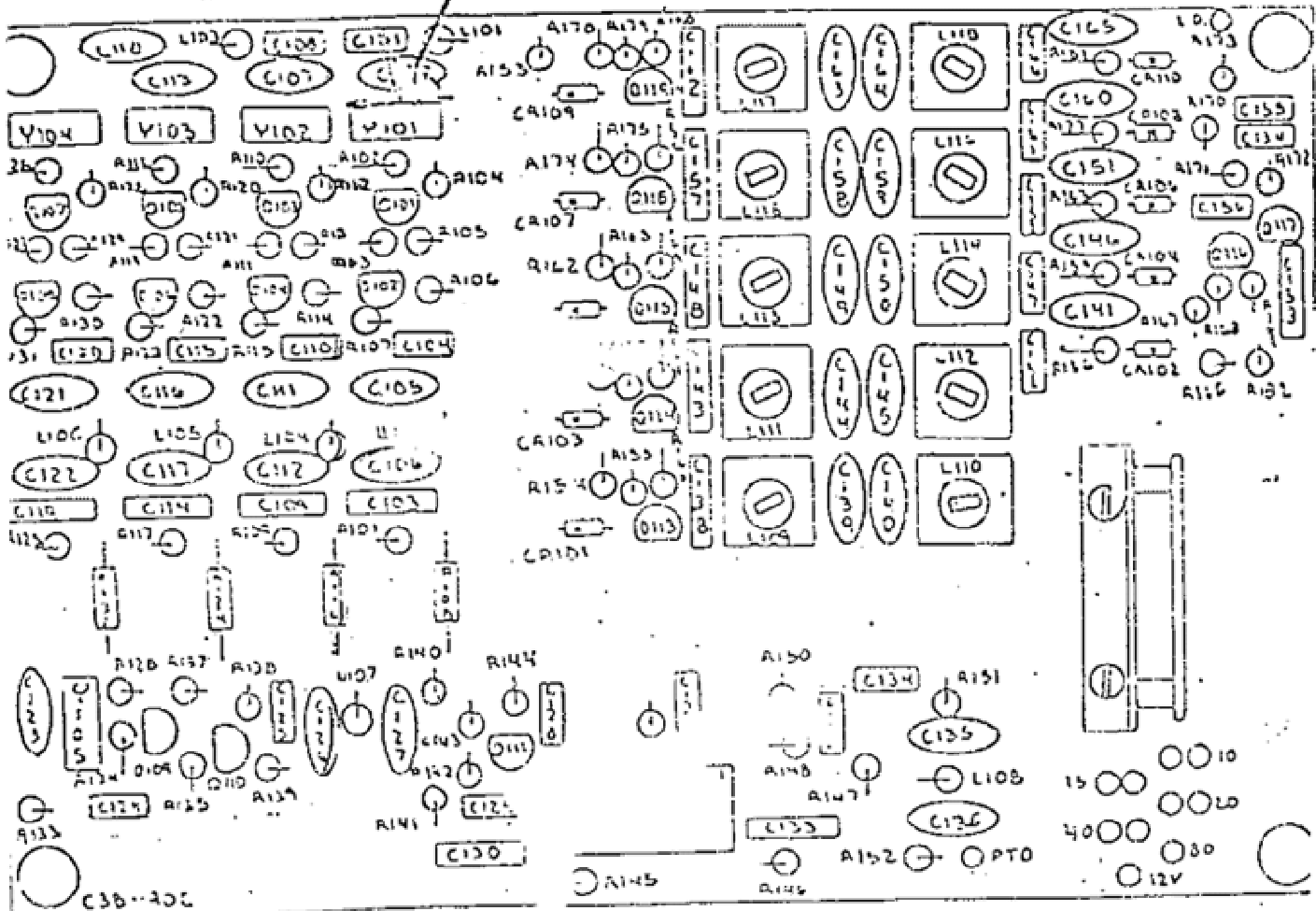
PROJ. EXCITER BAD LAYOUT

D143

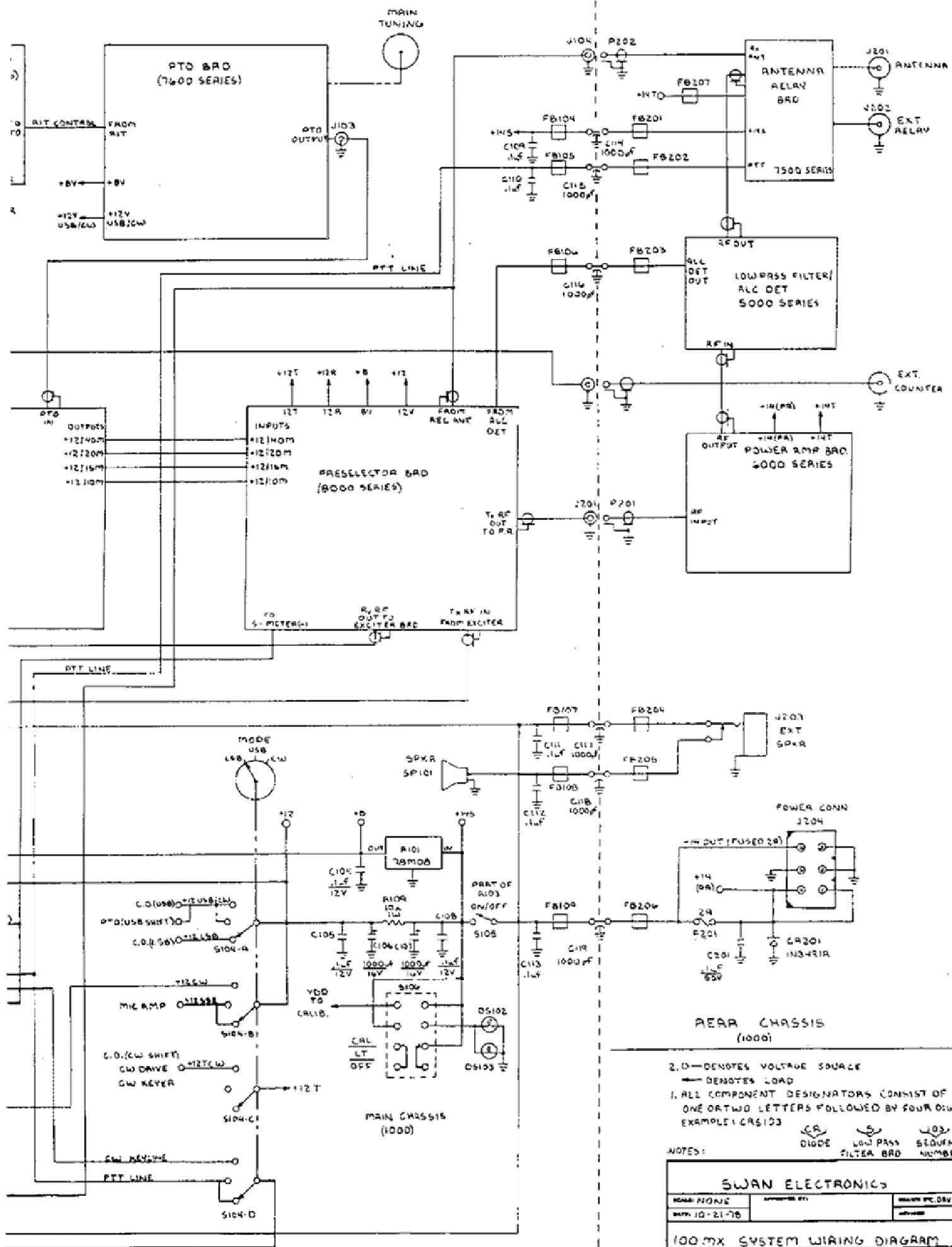
REV. *AP*

QUANTITY: 3

Remove Y101 and replace with the appropriate one to cover the 500 kHz segment desired on 10 meters. No tuning or adjustment is required.



BANDSWITCH BOARD



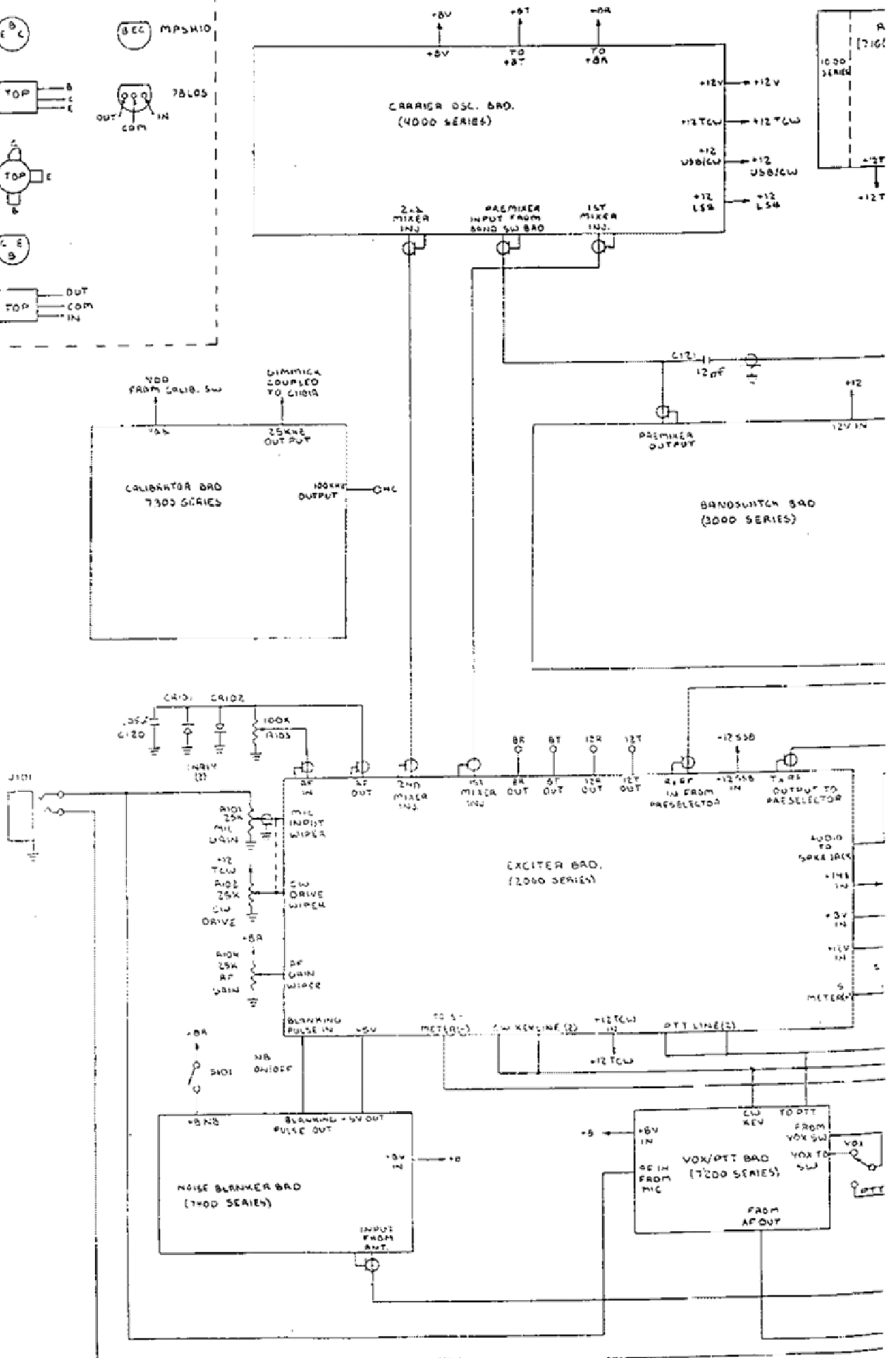
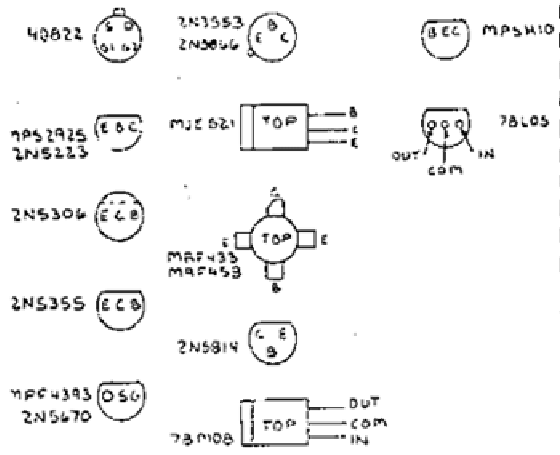
2, 0 - DENOTES VOLTAGE SOURCE
 — DENOTES LOAD
 1. ALL COMPONENT DESIGNATORS CONSIST OF ONE OR TWO LETTERS FOLLOWED BY FOUR DIGITS
 EXAMPLE: C1A103

LOW PASS FILTER BAD
 ANTENNA RELAY BAD
 POWER AMP BAD

NOTES:

SWAN ELECTRONICS		
NAME: NONE	DATE: 10-21-78	DESIGN: P.C. DAVI
100MX SYSTEM WIRING DIAGRAM		

TRANSISTOR DATA
BOTTOM VIEW UNLESS OTHERWISE SPECIFIED



SWAN SERVICE NOTE

The following information is provided for those users of the 100MX who choose to utilize some 500 KHZ segments of the 10 meter band other than that segment normally installed at the factory.

<u>BAND</u>	<u>CRYSTAL FREQUENCY</u>	<u>SWAN PART NUMBER</u>
28-28.5 MHZ	42.5 MHZ	486-077
<u>28.5-29.0 MHZ</u>	43.0 MHZ	486-076
29.0-29.5 MHZ	43.5 MHZ	486-078
29.5-30.0 MHZ	44.0 MHZ	486-079

These crystals are available from:

SWAN ELECTRONICS CORPORATION
305 AIRPORT ROAD
OCEANSIDE, CA. 92054

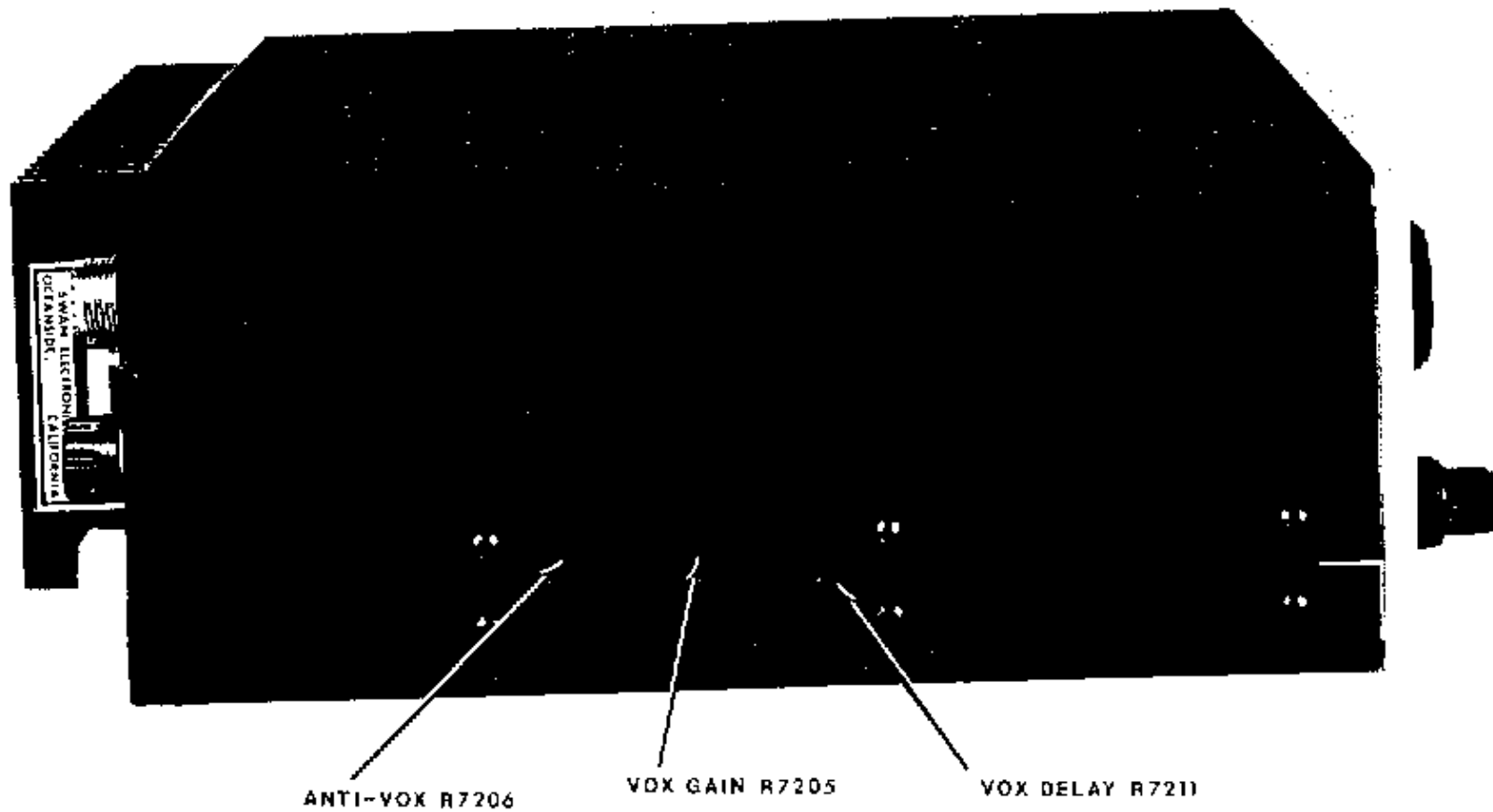
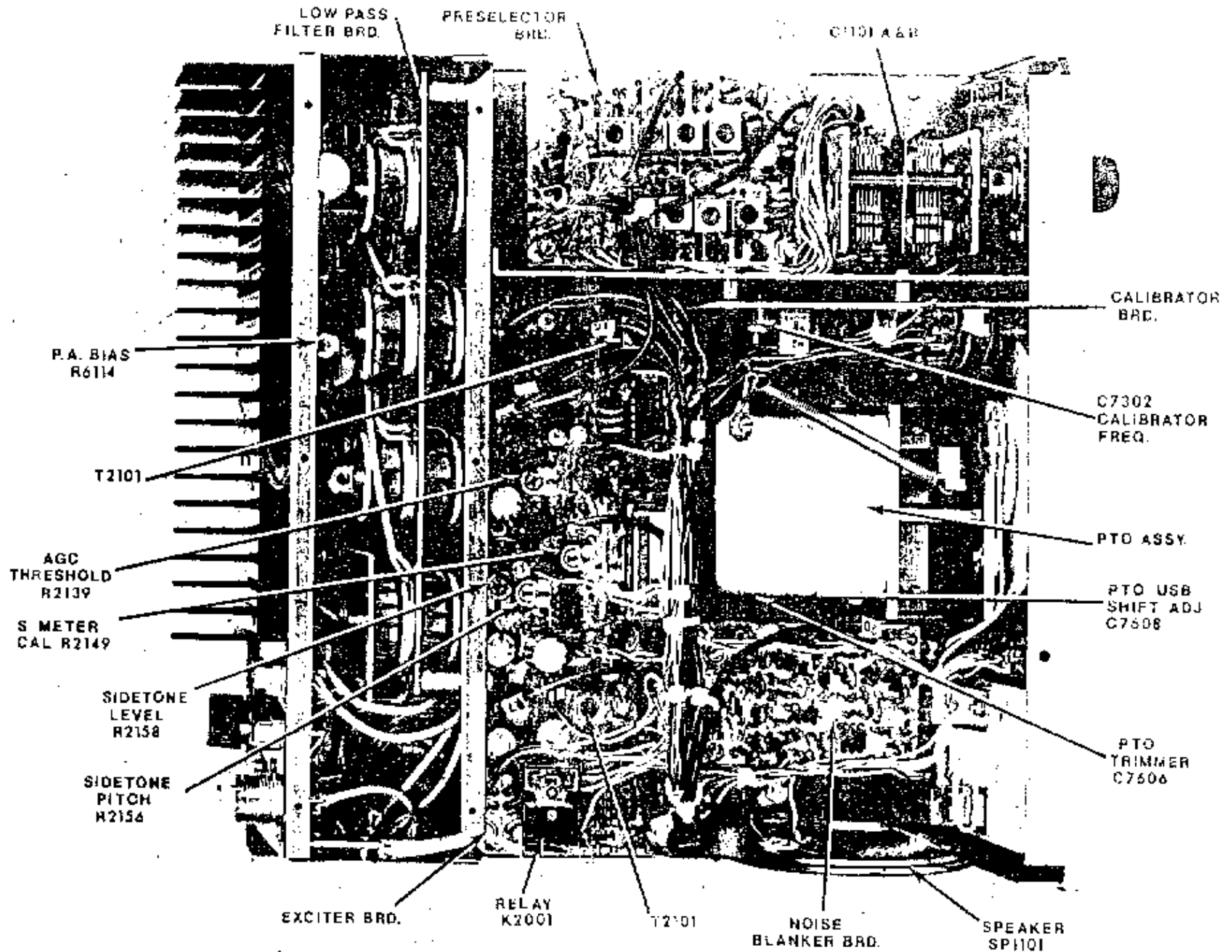


FIGURE B-3



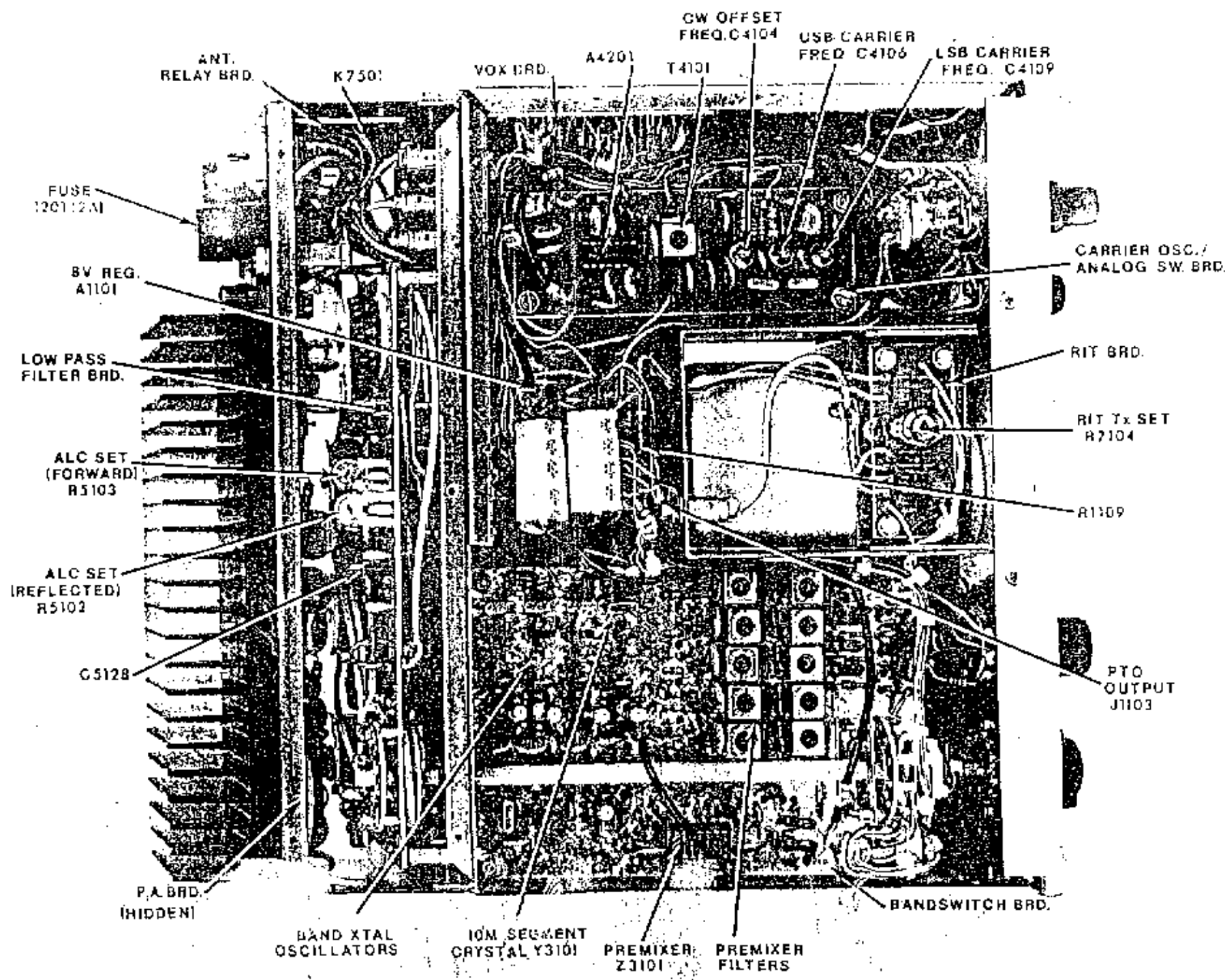


FIGURE 1

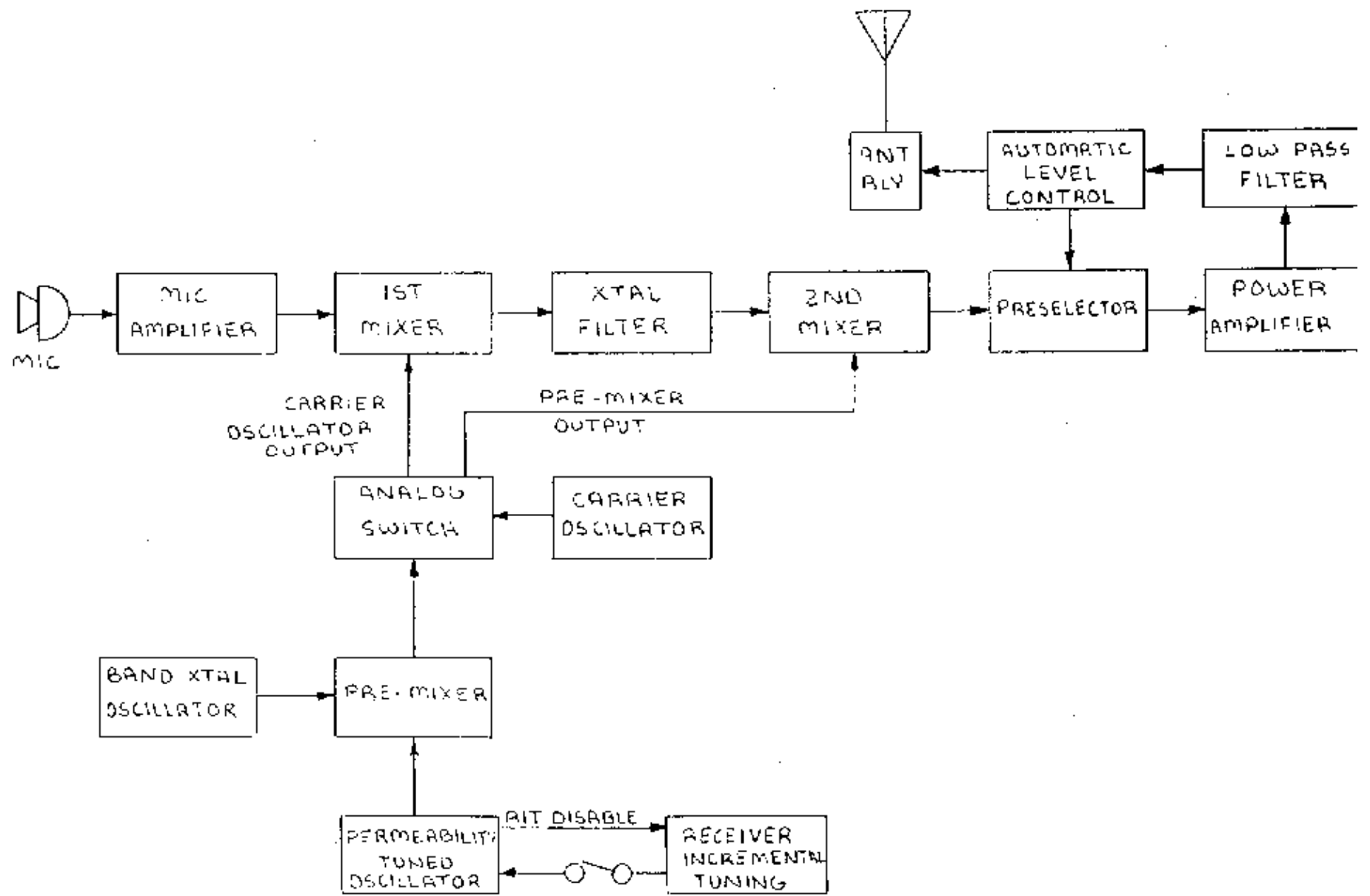


FIGURE 7-7 BLOCK DIAGRAM 100MHz IN TRANSMIT MODE

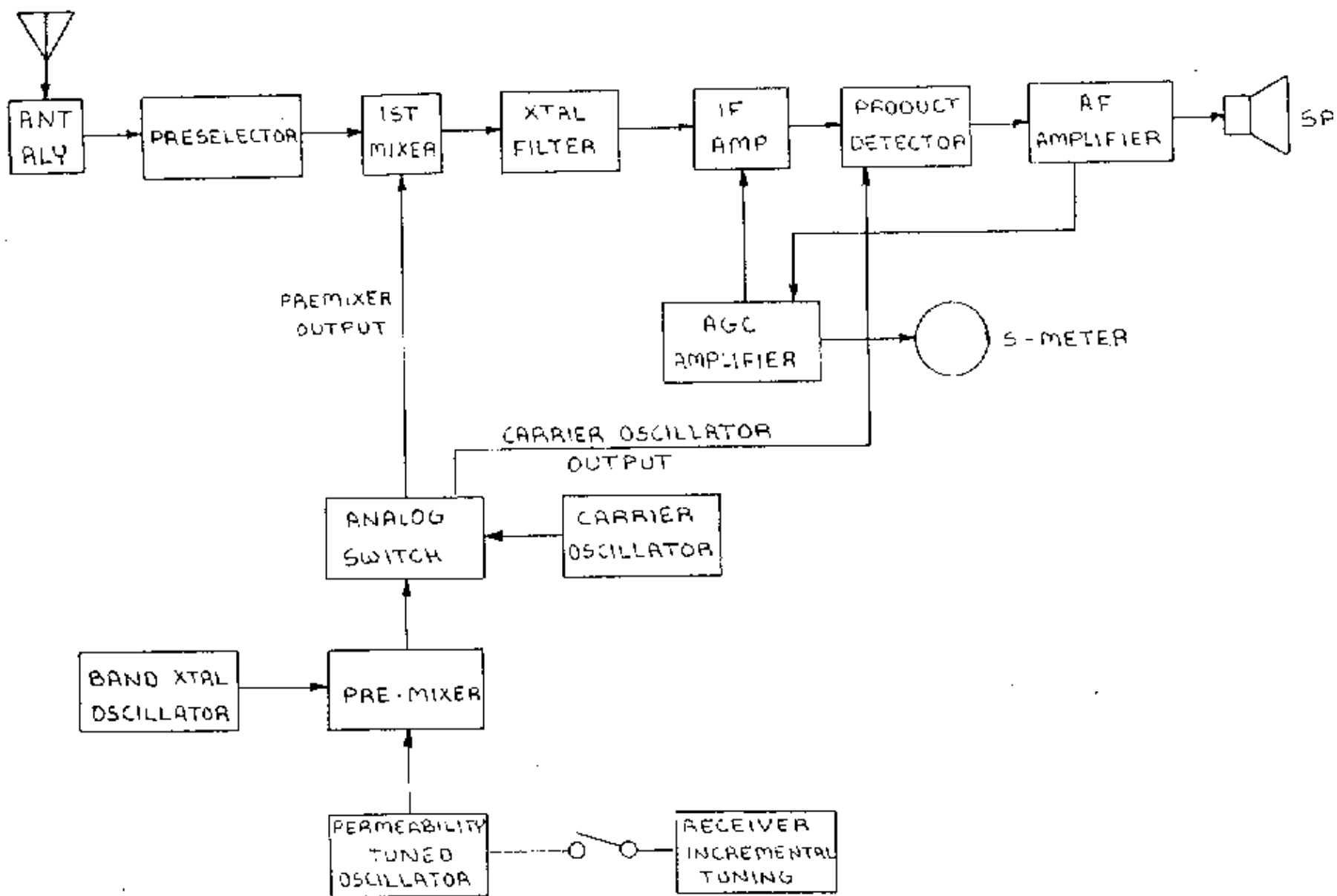
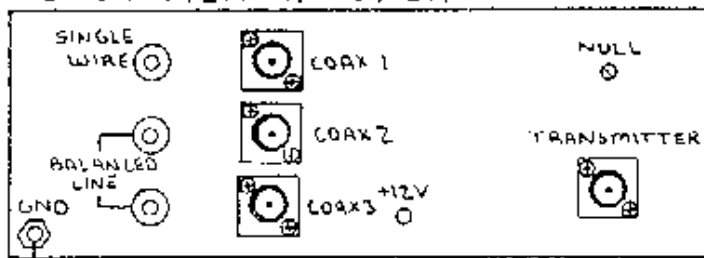


FIGURE 1. BLOCK DIAGRAM 100MX IN RECEIVE MODE.

EXT
COL

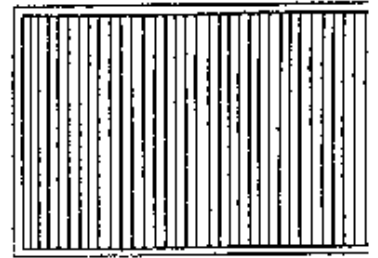
TO ANTENNA
SEE ST-3 INSTRUCTIONS

ST-3 ANTENNA TUNER



50Ω COAX CABLE

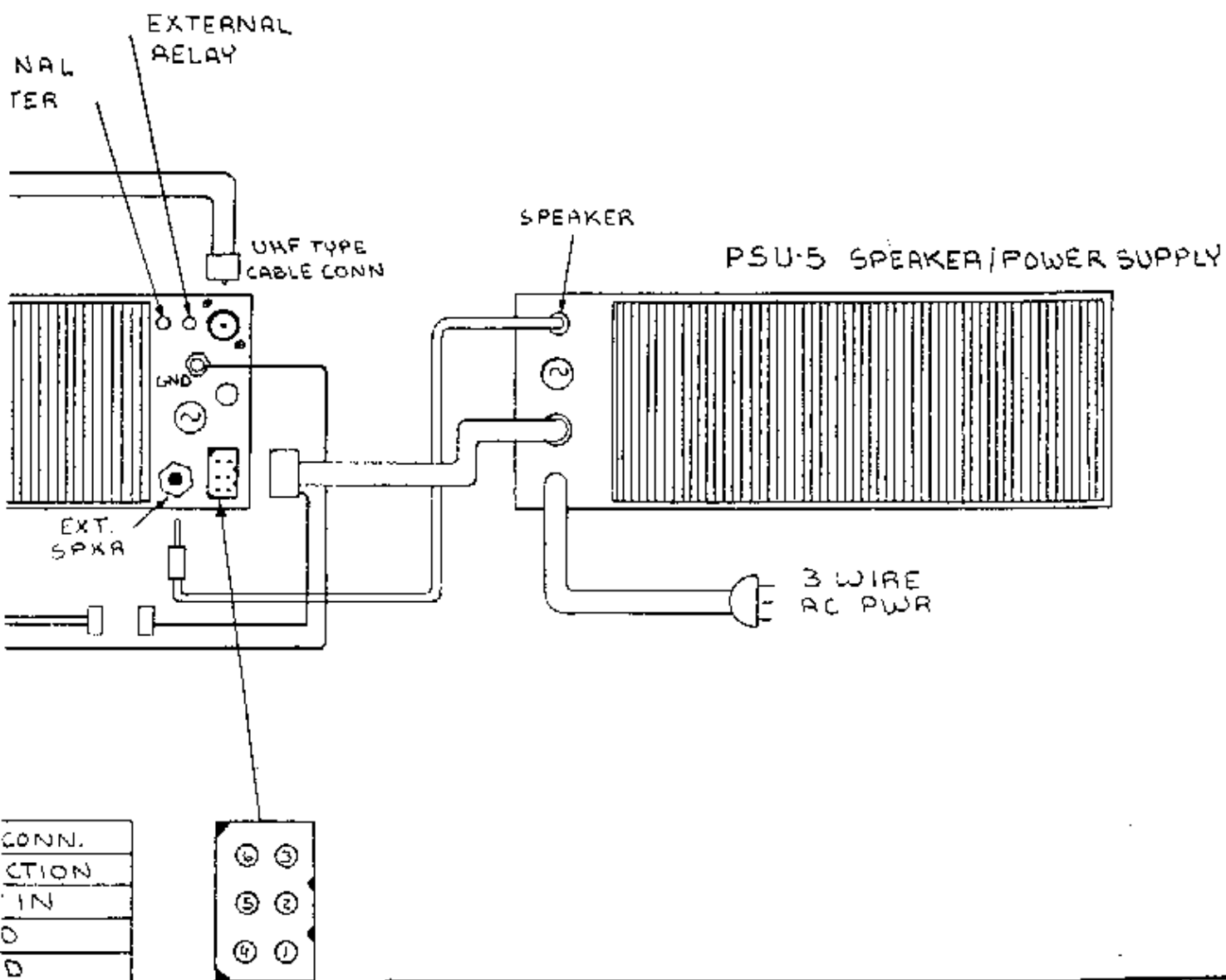
100MX TRANSCEIV



UHF TYPE
CABLE CONN

TO
EARTH
GROUND

POWER	PIN	F
1	1	
2	2	
3	3	
4	4	
5	5	
6	6	



SWAN ELECTRONICS

SCALE: NONE

APPROVED BY:

DRAWN BY: DAVIDSON

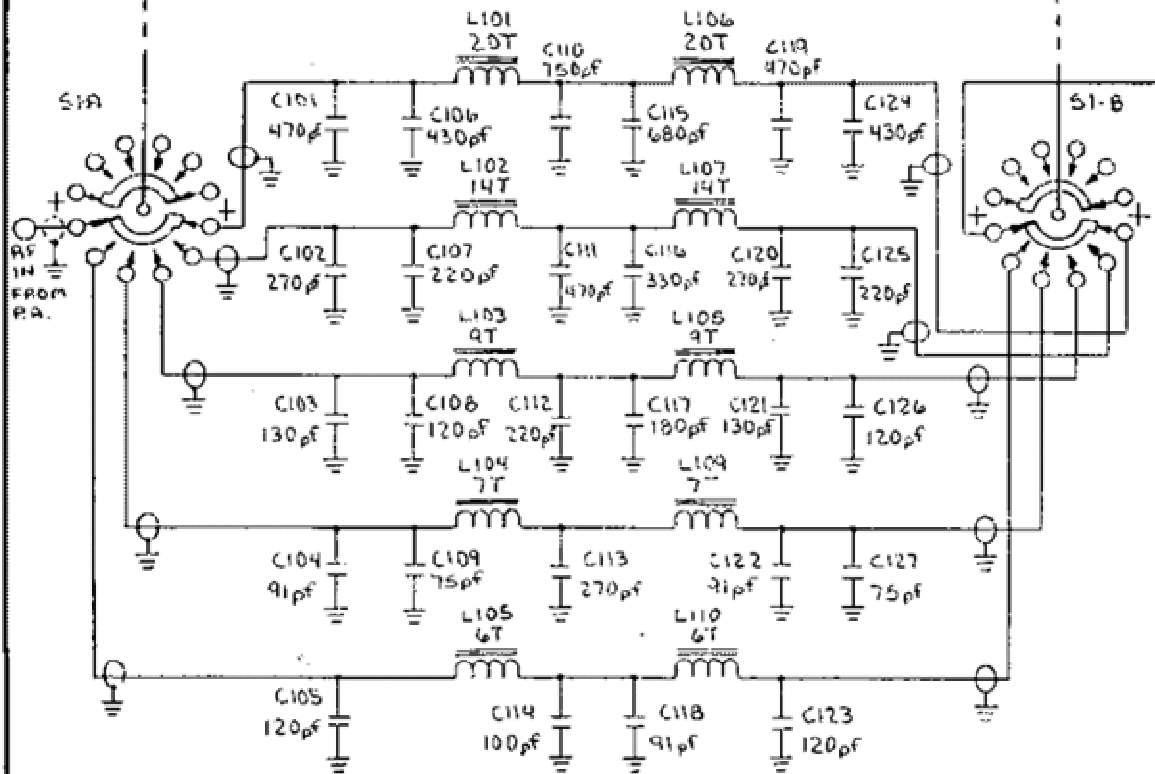
DATE: 10-18-78

REVISED

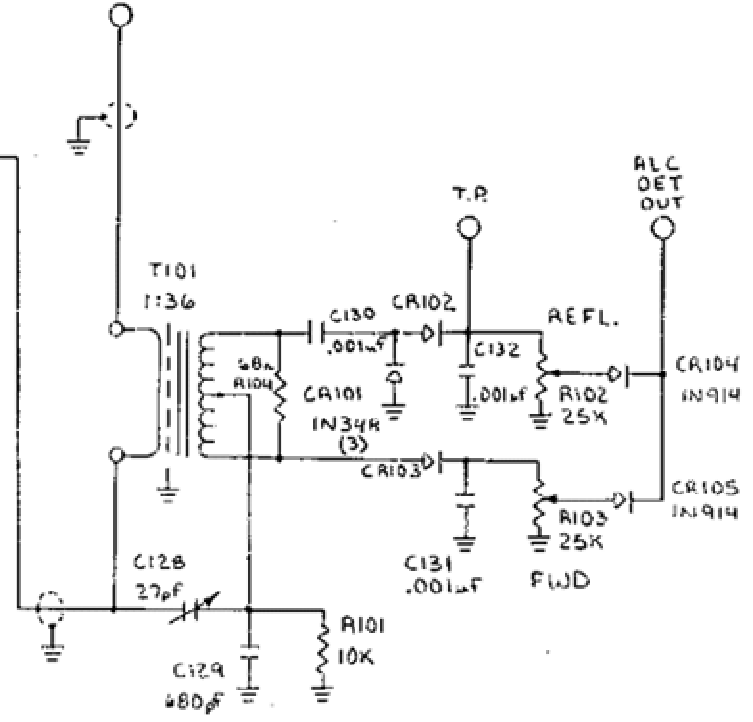
SYSTEM INTERCONNECT DIAGRAM

DRAWING NUMBER

P.O.
BANDSWITCH



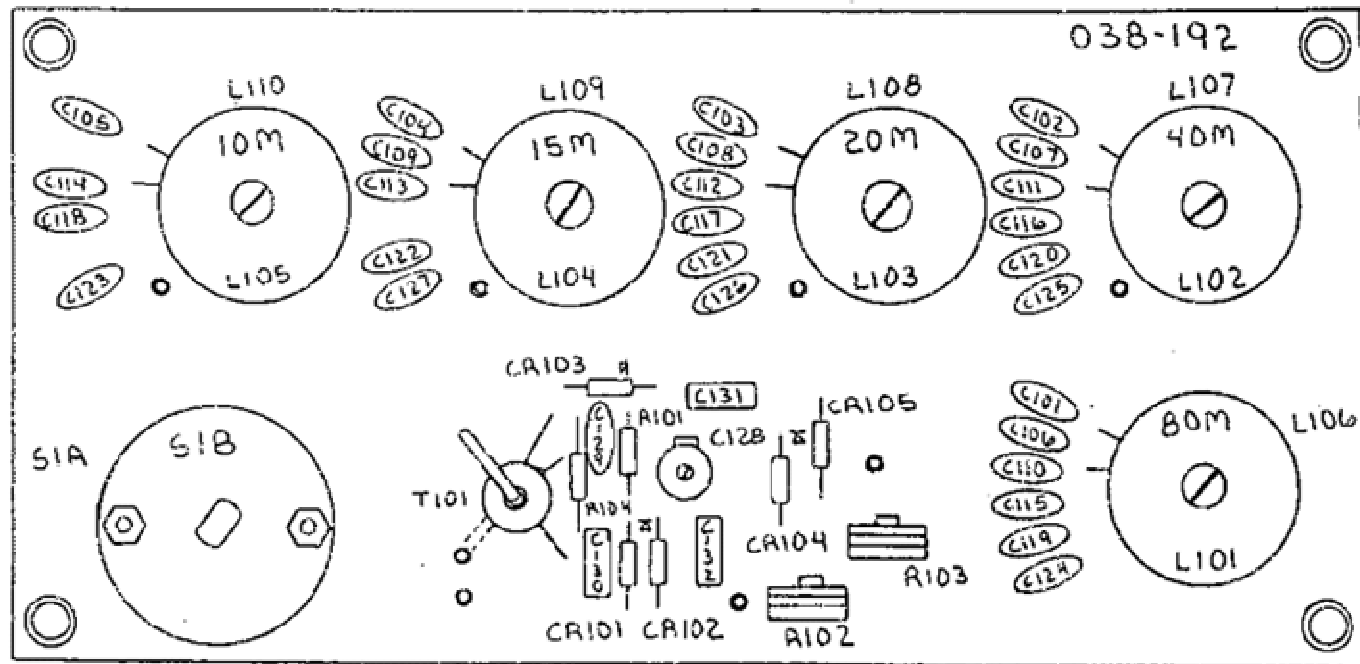
AF OUT
TO ANT ALY



2. BANDSWITCH BAD SHOWN AS VIEWED FROM FRONT, MAX CCW (80M)
1. COMPONENT DESIGNATORS 5000 SERIES

NOTES:

SWAN ELECTRONICS		
SCALE: NONE	APPROVED BY:	DRAWN BY: DAVIDSON
DATE: 9-26-78		REVISED
03B-192		
LOW PASS FILTER BAD SCHEMATIC		
DESIGN NUMBER		



SWAN ELECTRONICS

SCALE: NONE

APPROVED BY:

DRAWN BY: DAVIDSON

DATE: 9-13-78

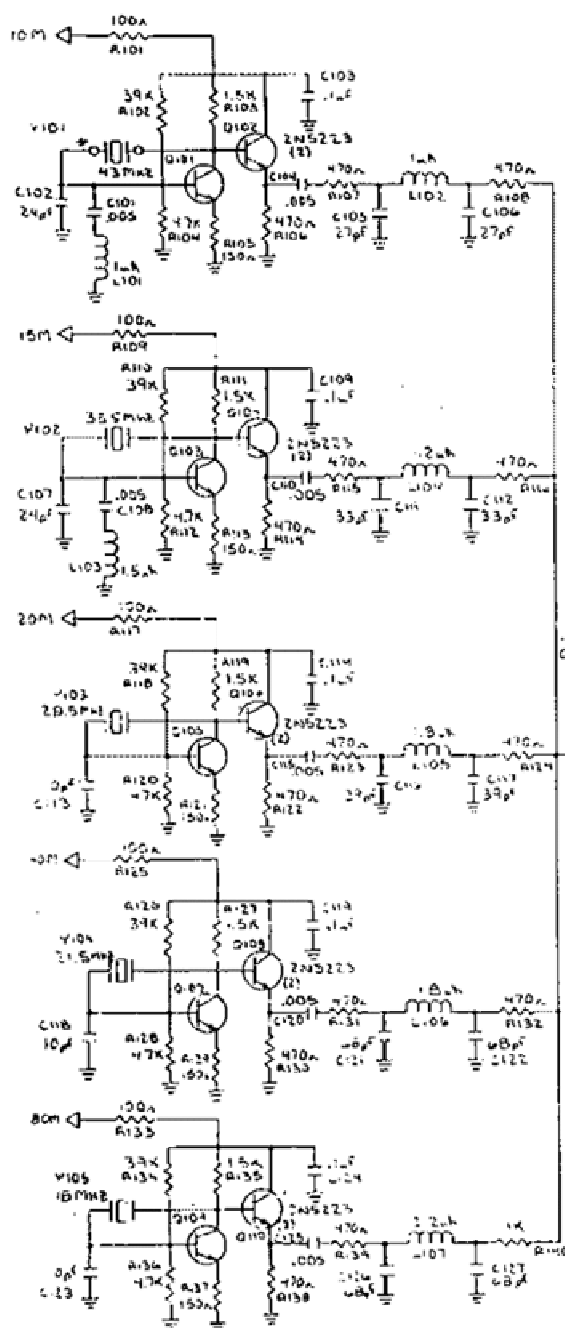
REVISED

LOW PASS FILTER BRD LAYOUT

DRAWING NUMBER

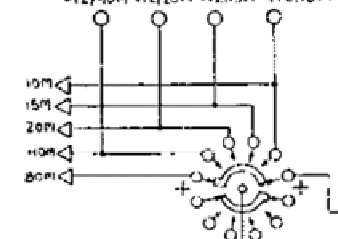
2. S1A, L106 - L110 FARSIDE OF BOARD
 1. COMPONENT DESIGNATORS 5000 SERIES
 NOTES

BAND XTAL OSCILLATORS



TO PRESELECTOR BOARD

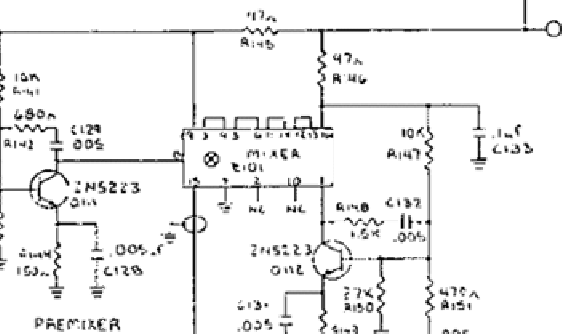
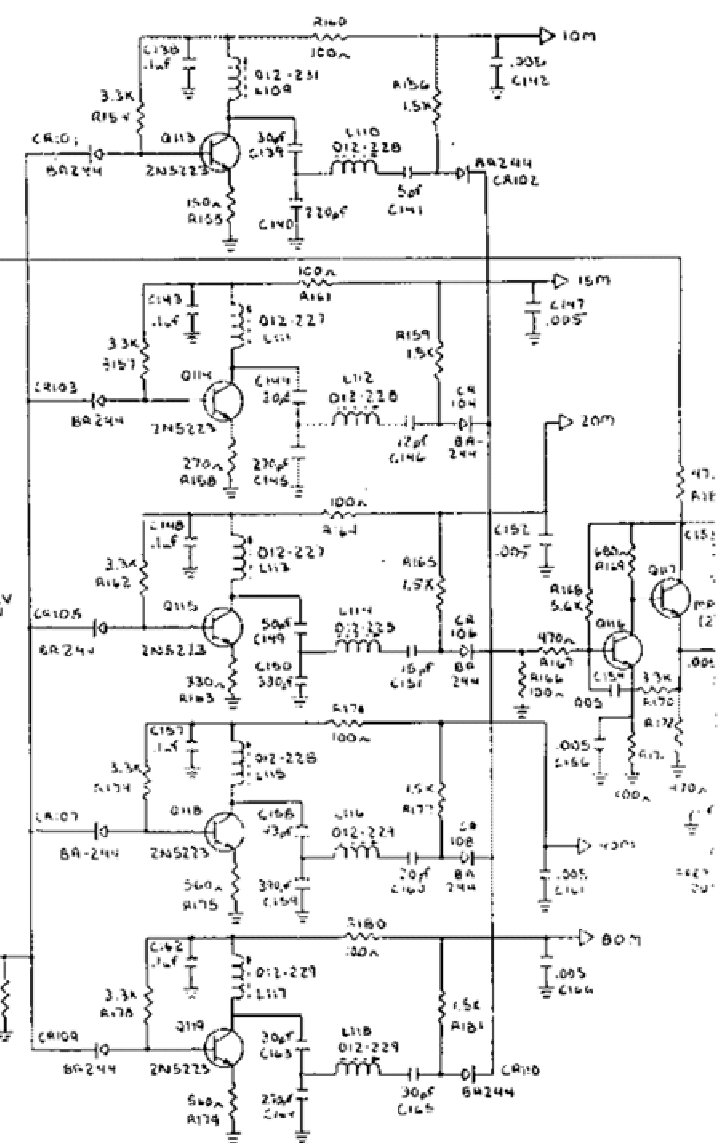
+12/40M +12/30M +12/15M +12/10M



P.O.

BANDSWITCH

PREMIXER FILTERS



PREMIXER

- * V101
 10M XTAL FREQUENCIES:
 28.0-28.5 42.5 MHz
 28.5-29.0 43.0 MHz
 29.0-29.5 43.5 MHz
 29.5-30.0 44.0 MHz

BANDSWITCH SHOWN AS VIEWED FROM FRONT MAX LOW (BOM)
 COMPONENT DESIGNATORS 3300 SERIES
 NOTES

SWAN ELECTRONICS		
DATE: 10-14-78	APPROVED BY:	DESIGNED BY: DL
BANDSWITCH BOARD SCHEMATIC 036		DATE: 10-14-78

Downloaded by
 RadioAmateur.EU