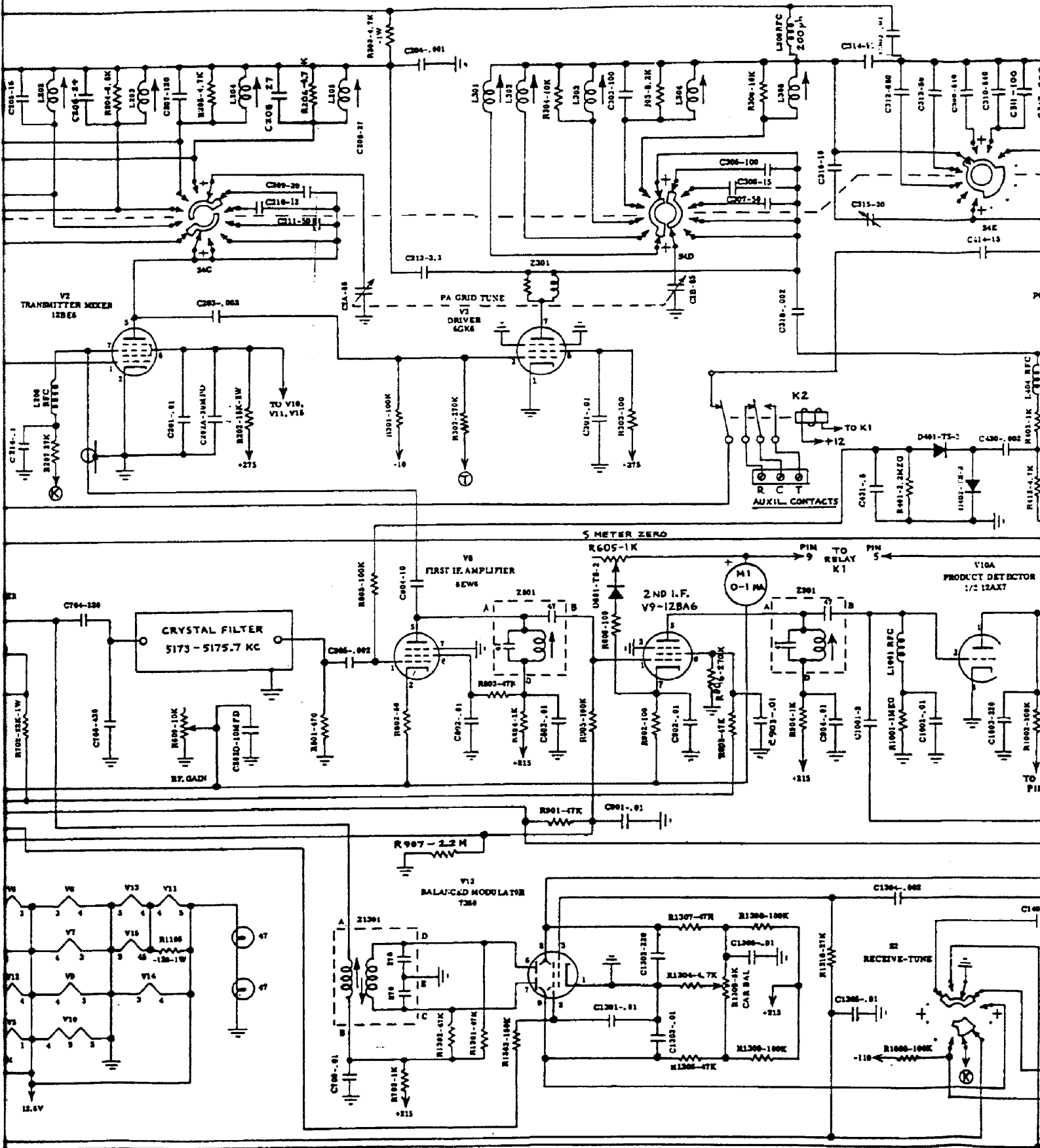
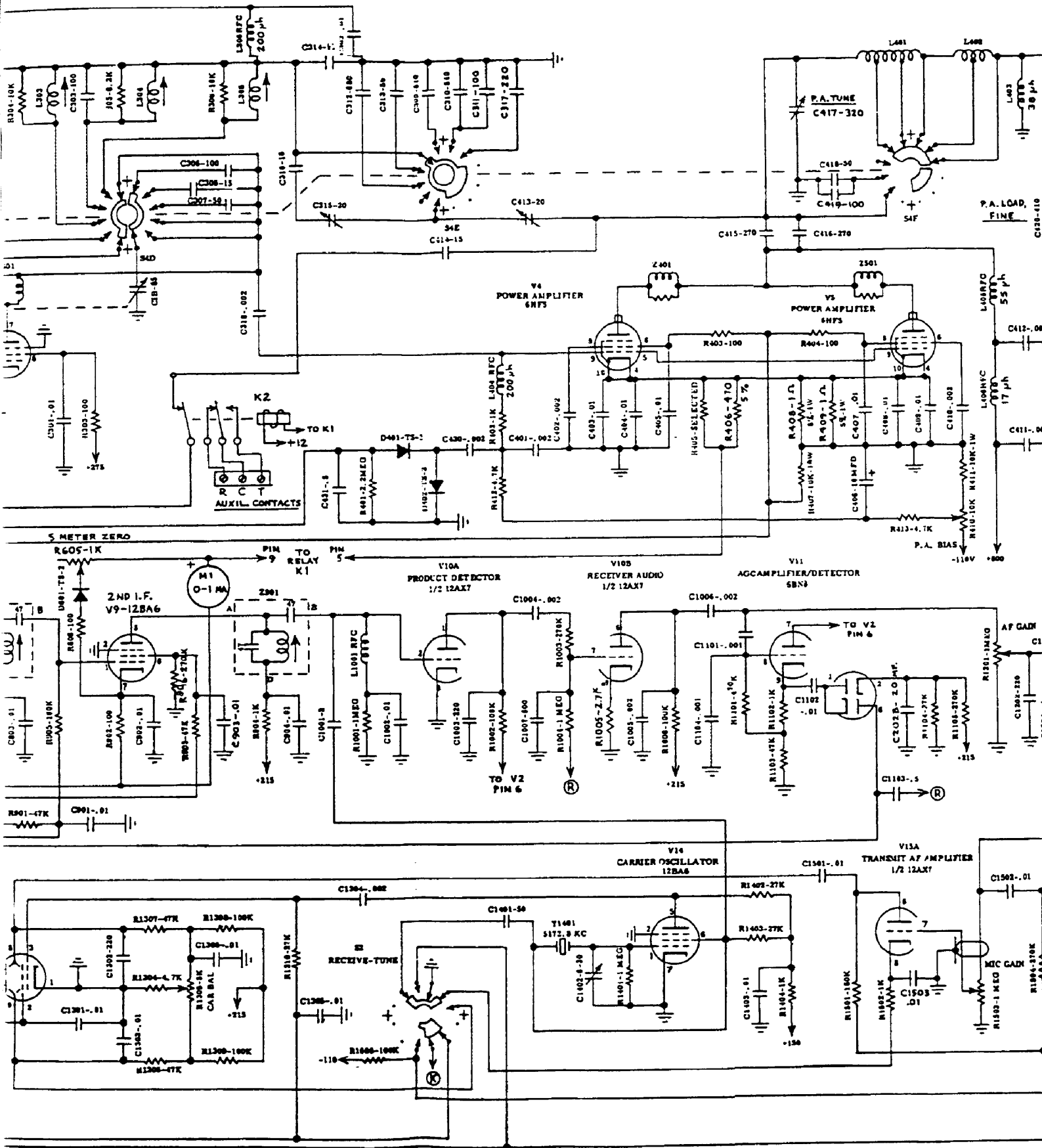


Scanned by IW1AXR
 Downloaded by
 RadioAmateur.EU

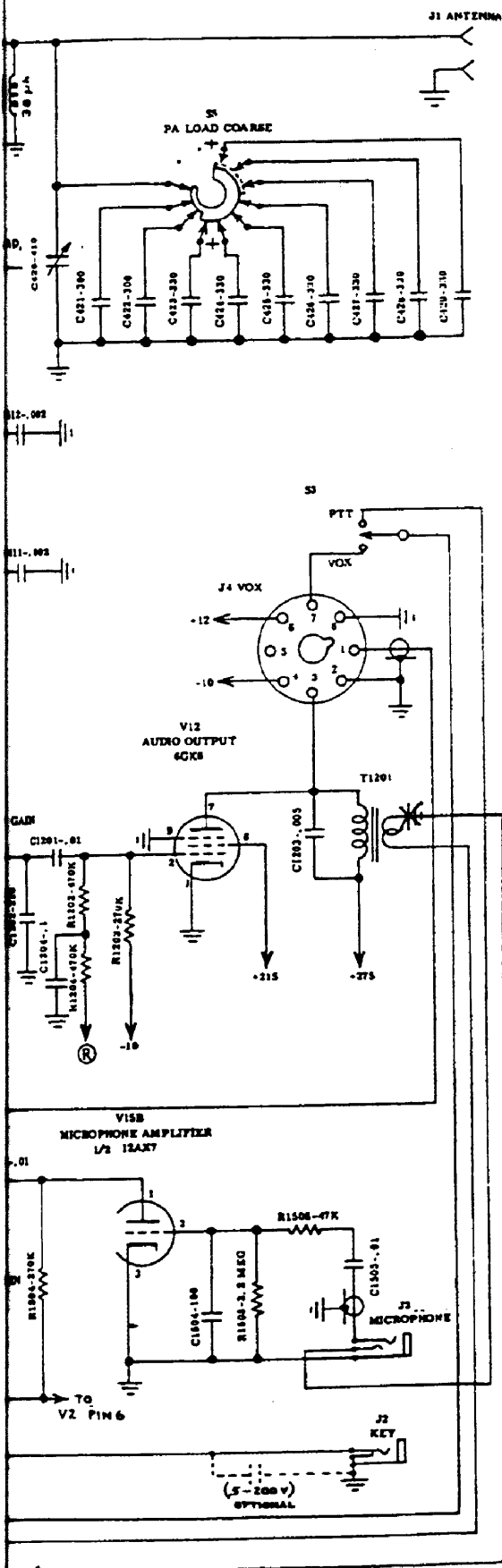
NOTE: DECIMAL VALUES OF CAPACITANCE ARE IN MICROFARADS, OTHERS ARE IN MICROMICROFARADS, EXCEPT AS SPECIFIED. RESISTORS ARE IN OHMS, AND ARE 1/2 WATT UNLESS OTHERWISE SPECIFIED.

© 11-30-65





SCHEMATIC DIAGRAM - SWAN MODEL 350 SINGLE SIDEBAND



SWAN
ELECTRONICS CORP.

AND TRANSCEIVER.

Scanned by IW1AXR

Downloaded by
RadioAmateur.EU

for free by
RadioAmateur.eu