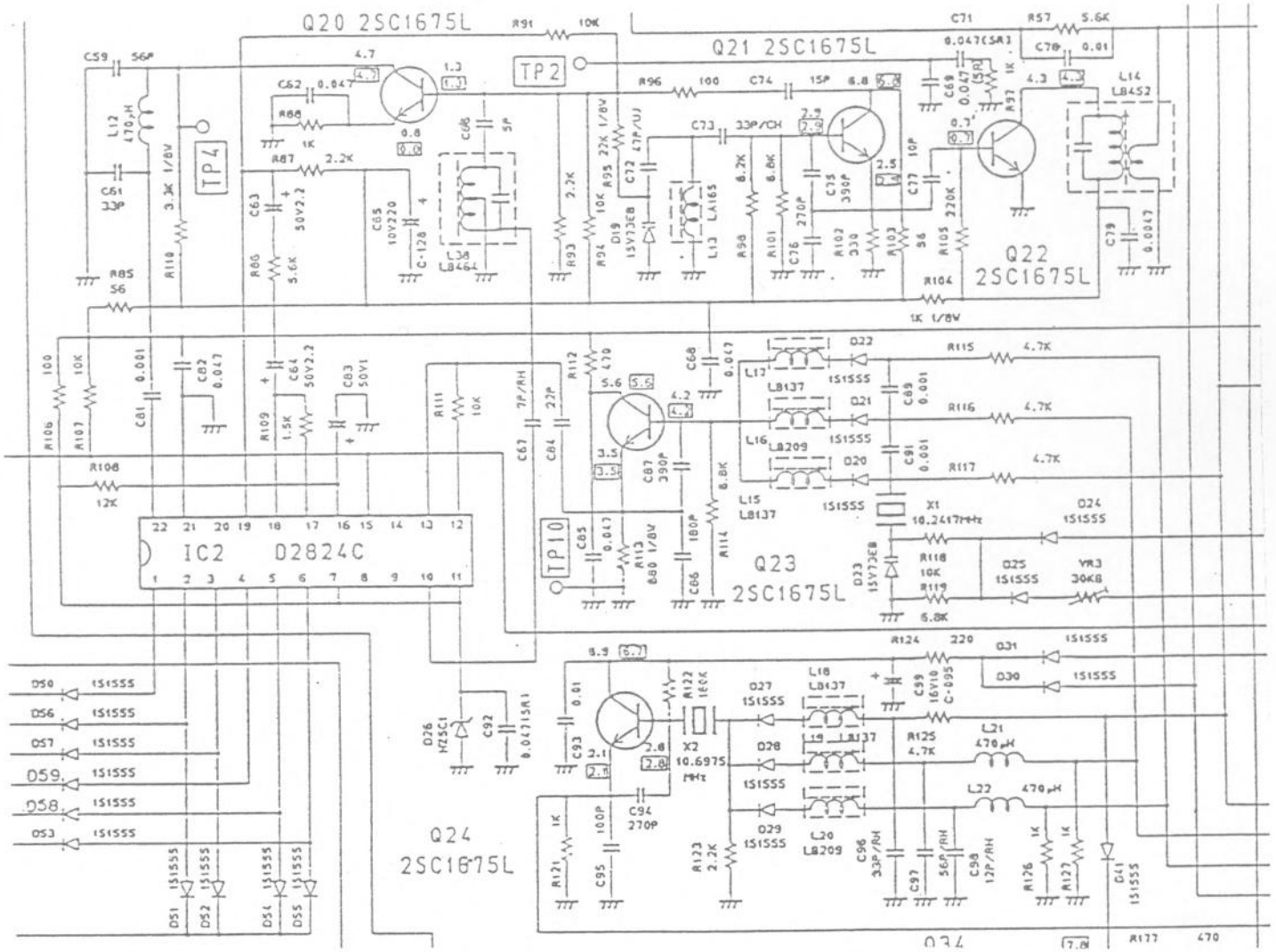
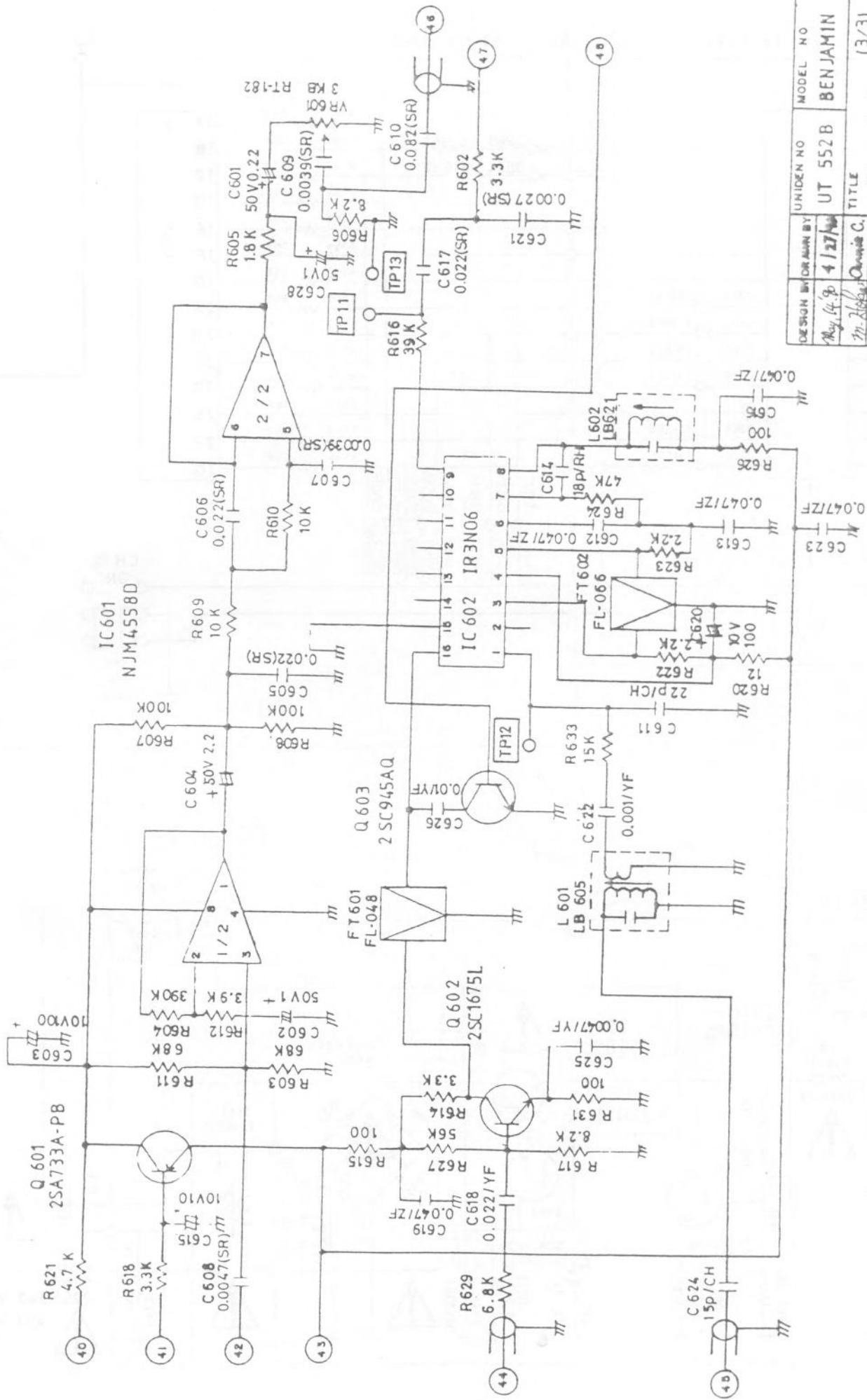


SYNTHETISEUR

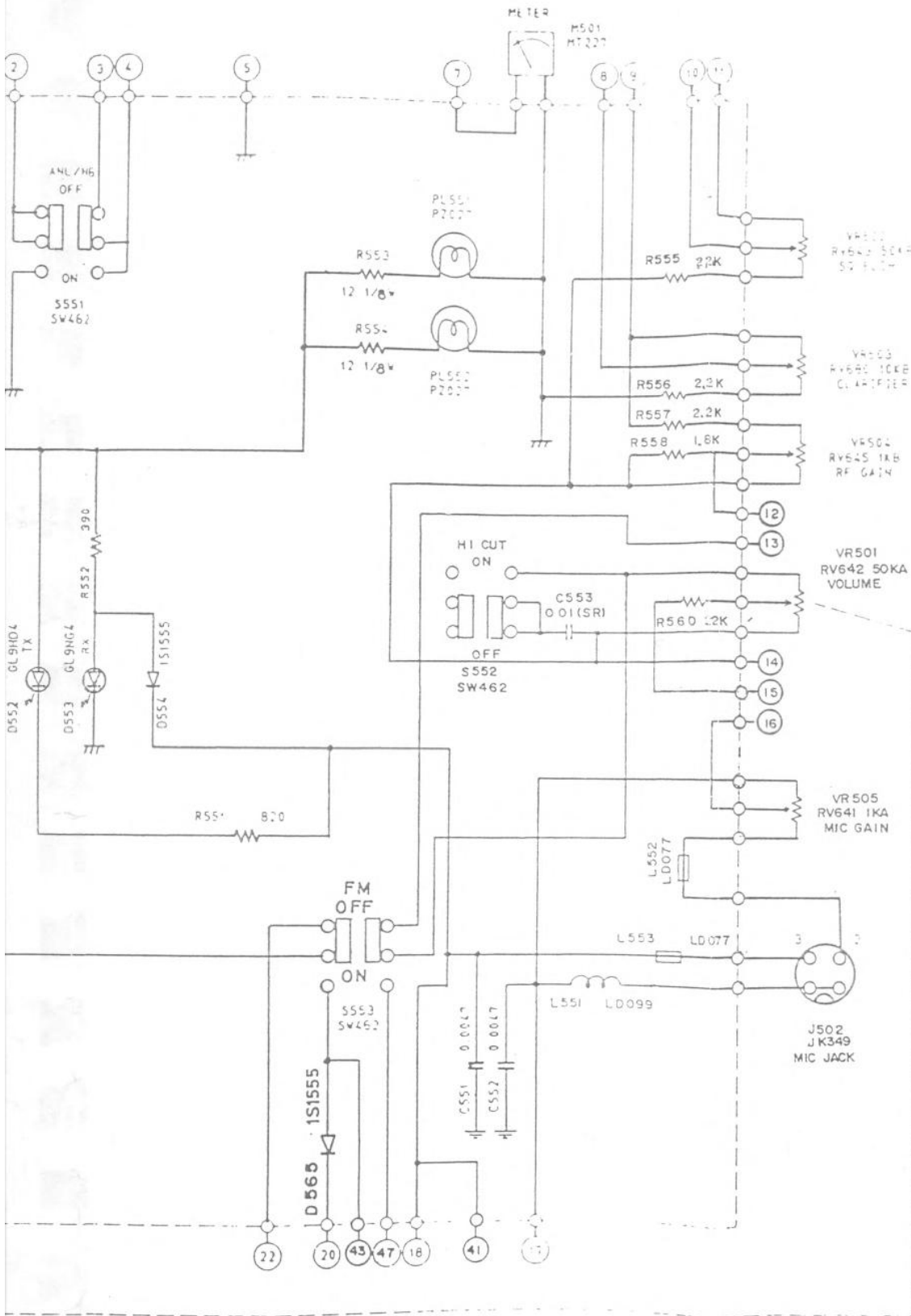


FM SCHEMATIC DIAGRAM (B601 PB-189AA)



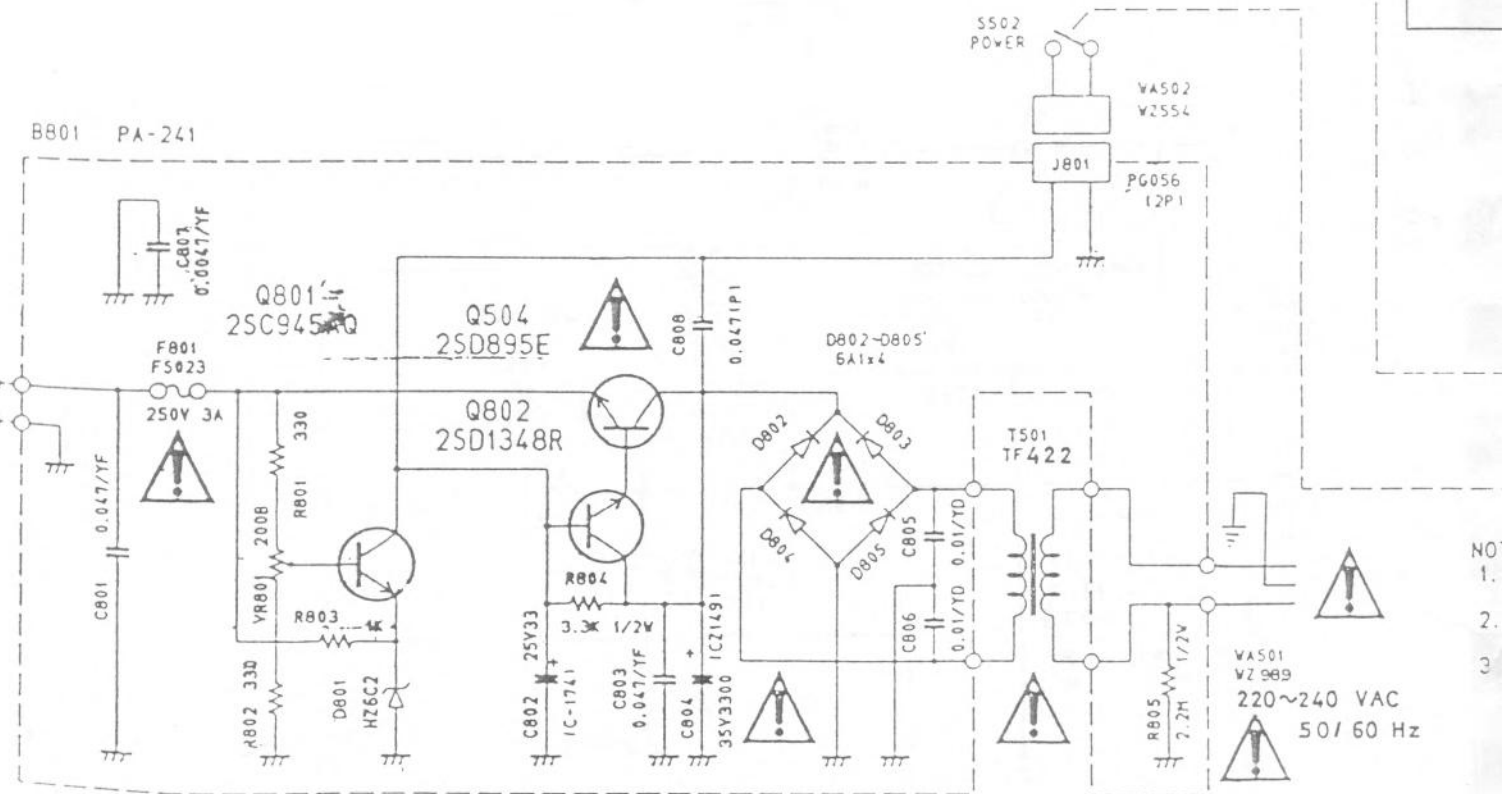
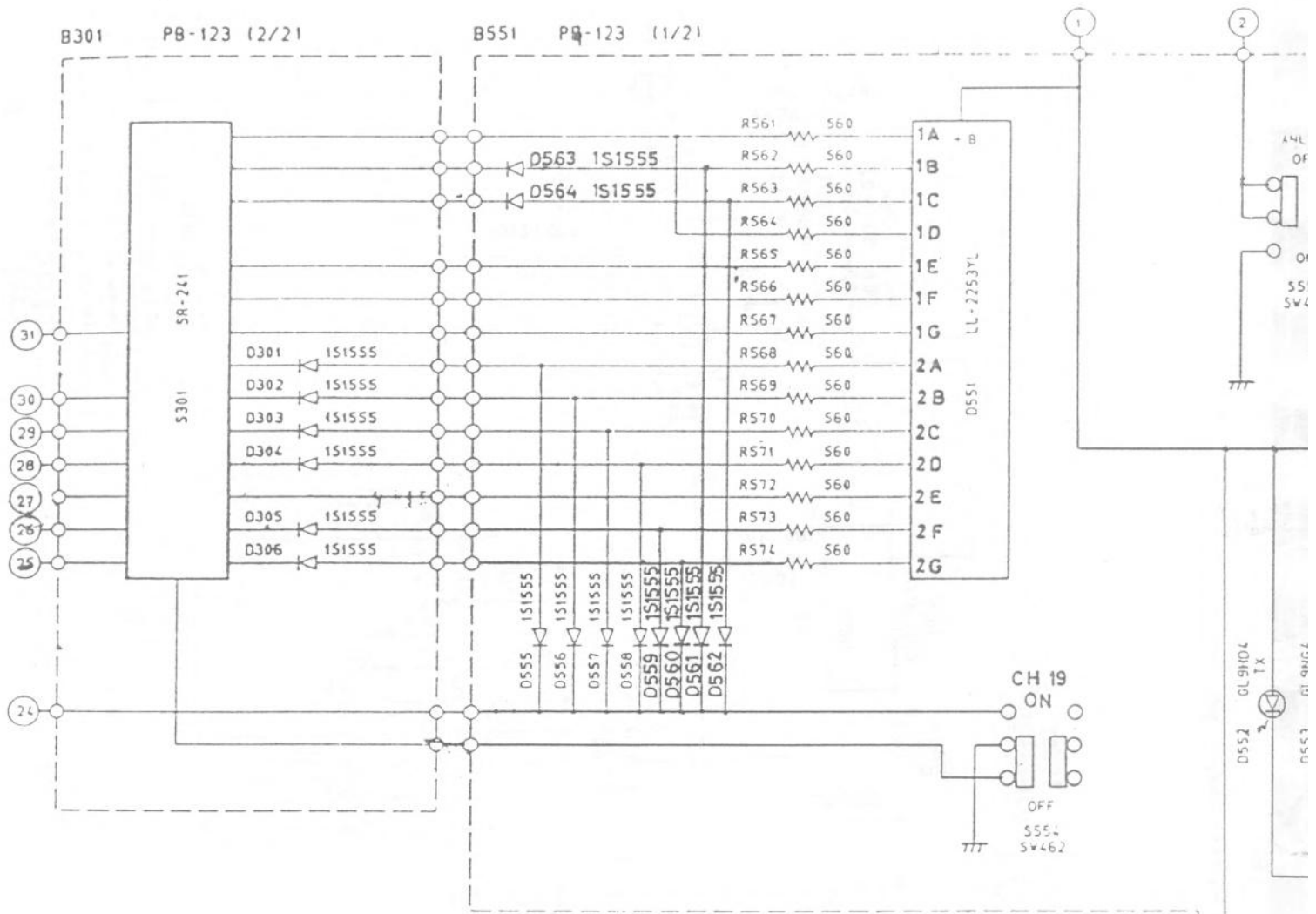
DESIGN BY May 14 '80	DRAWN BY 4/27/80	UNIDEN NO UT 552 B	MODEL NO BENJAMIN
CHECK BY Mr. Zickel	APPROVED BY Olanie C.	TITLE Schematic Diagram	(3/3)
DRAWING NO May 15 '80		DRAWING NO ES4-0043	

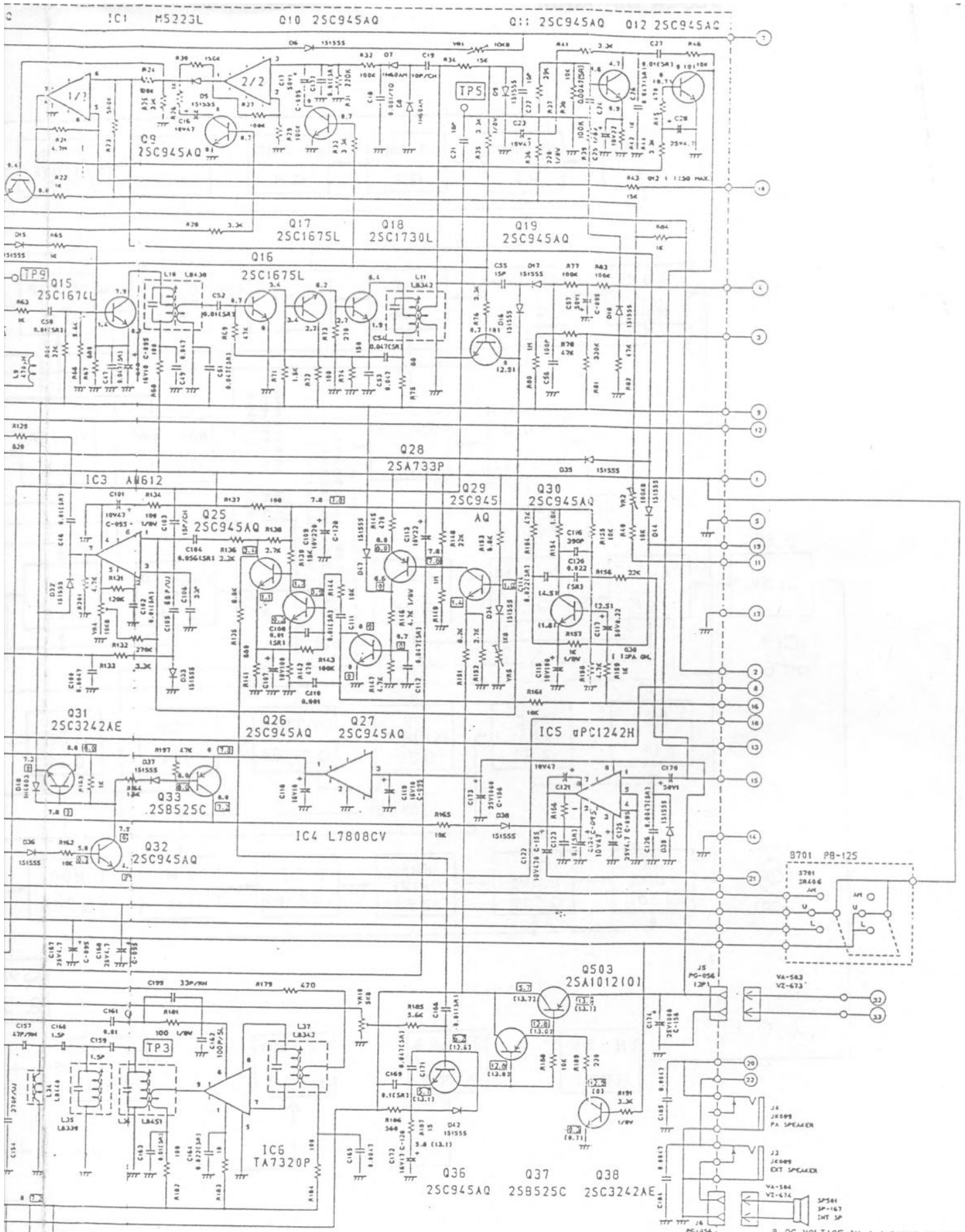
UT552/2::50:2



- NOTES:
1. RESISTANCE VALUES ARE SHOWN IN OHMS UNLESS OTHERWISE NOTED. (K-KILO OHM, M-MEG OHM)
 2. RESISTOR WATTAGES ARE 1/8W UNLESS OTHERWISE NOTED.
 3. CAPACITANCE VALUES ARE INDICATED IN MICRO FARADS UNLESS OTHERWISE NOTED. (P-MICRO-MICRO FARAD)

DESIGN BY	DRAWN BY	UNITEN NO	MODEL NO
M. J. 15/90	Nov 16/90	UT 552 B	BENJAMIN
CHECK BY	APPROV BY	SCHEMATIC DIAGRAM	
	Katun	DRAWING NO	REV MAKE
	5/15/90	ES3-0025	
UNITEN CORP			





- NOTES:
1. RESISTANCE VALUES ARE SHOWN IN OHMS UNLESS OTHERWISE NOTED. (K-KILO OHM, M-MEG OHM)
 2. RESISTOR VOLTAGES ARE 1/8W UNLESS OTHERWISE NOTED.
 3. CAPACITANCE VALUES ARE INDICATED IN MICRO FARADS UNLESS OTHERWISE NOTED. (P-MICRO-MICRO FARAD)
 4. ALL CAPACITORS TEMPERATURE CHARACTERISTICS ARE SL (LESS THAN 100PPF) ZF (0.0047UF) OR YF (0.001UF-0.039UF) UNLESS OTHERWISE NOTED.
 5. DC VOLTAGE IN □ SHOWS TX AM CONDITION.
 6. DC VOLTAGE IN () SHOWS TX SSB CONDITION.
 7. DC VOLTAGE IN NO MARK SHOWS RX CONDITION.

8. DC VOLTAGE IN () SHOWS RX CONDITION UNDER OPERATION OF EACH FUNCTION.

PRESIDENT BENJA

TITLE	(11/31)
SCHEMATIC DIAGRAM	
DRAWING NO.	REV. MARK
E12-2724 1/2	