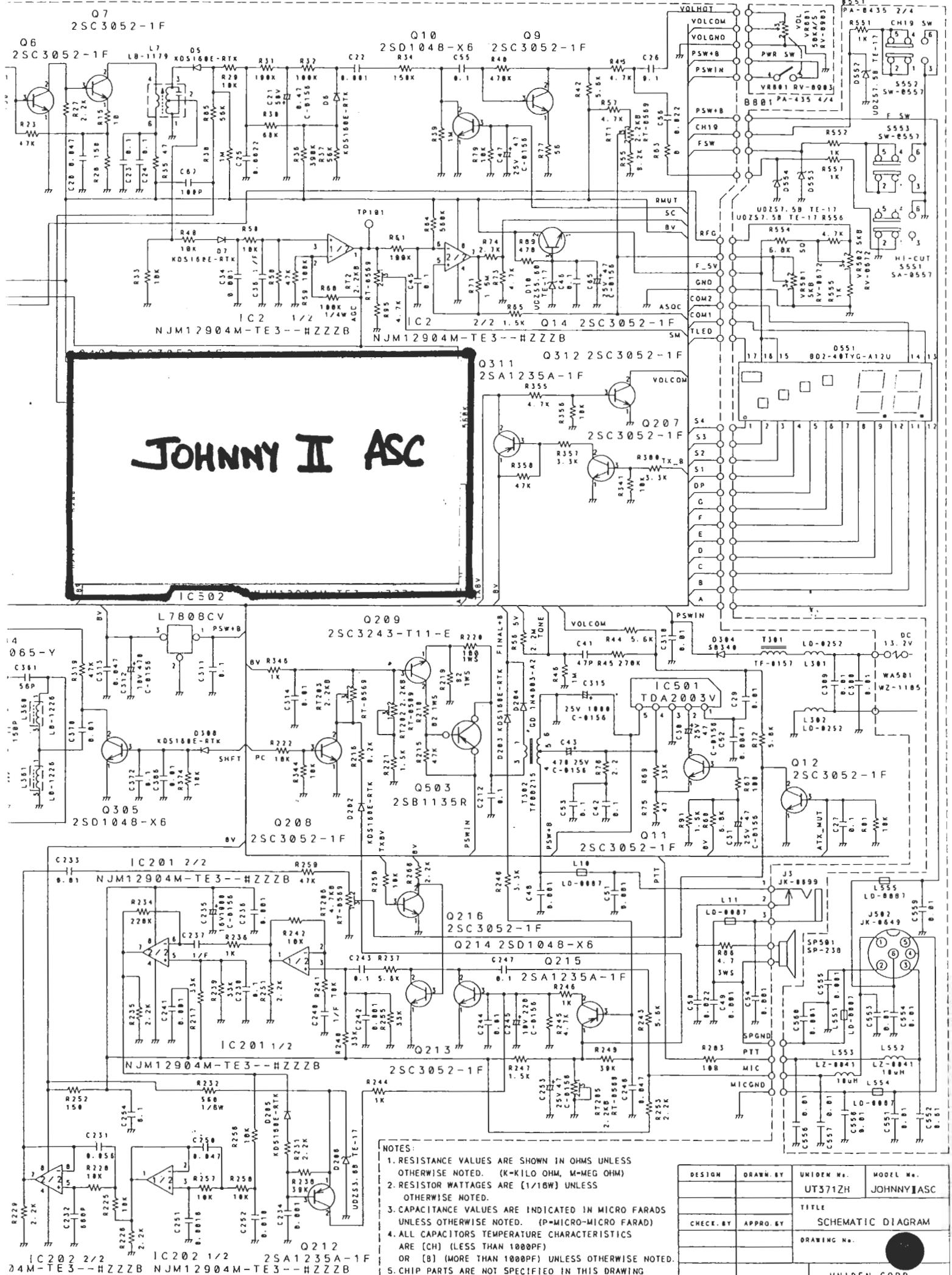


1A



# JOHNNY II ASC

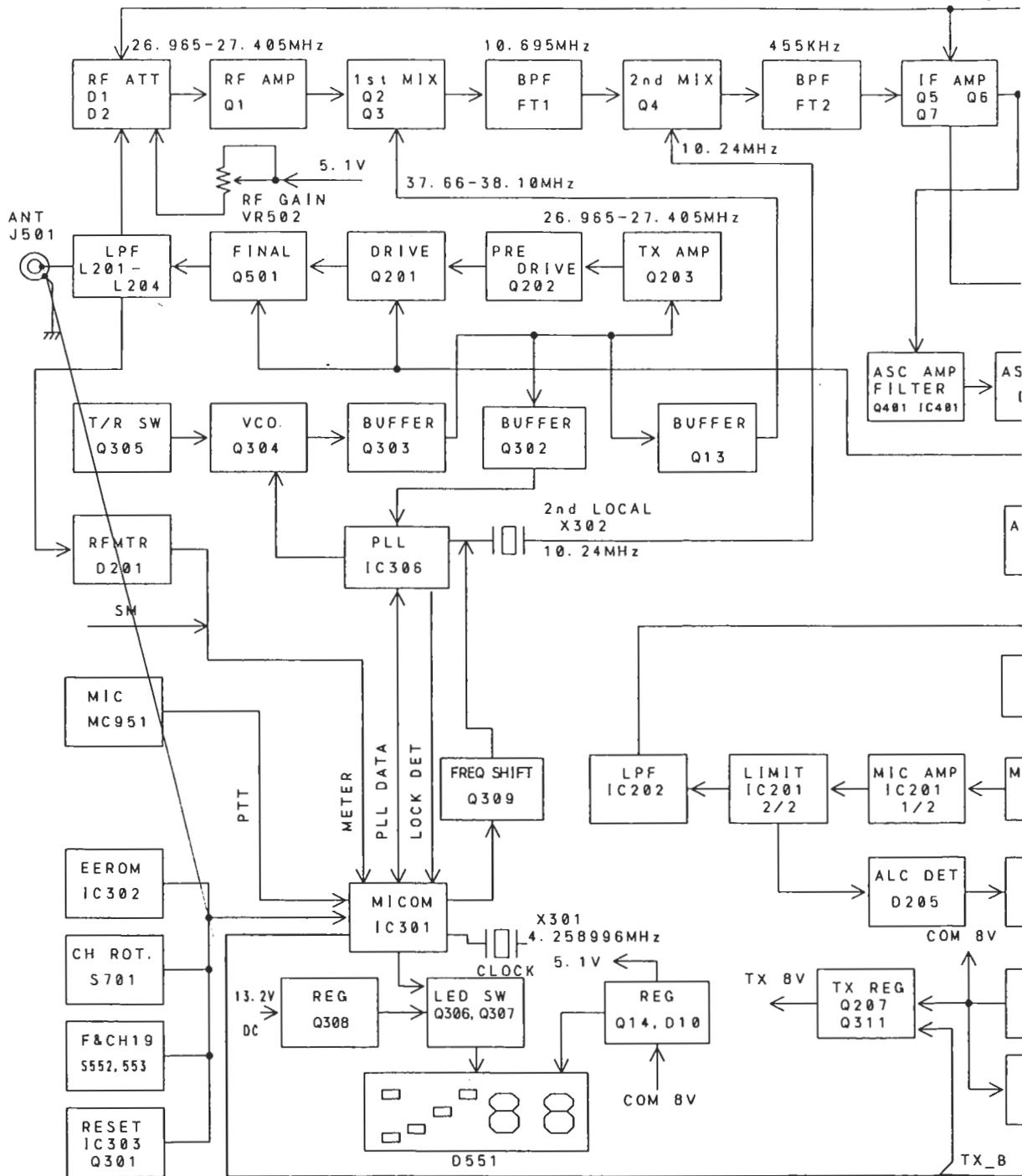


- NOTES:
1. RESISTANCE VALUES ARE SHOWN IN OHMS UNLESS OTHERWISE NOTED. (K=KILO OHM, M=MEG OHM)
  2. RESISTOR WATTAGES ARE [1/16W] UNLESS OTHERWISE NOTED.
  3. CAPACITANCE VALUES ARE INDICATED IN MICRO FARADS UNLESS OTHERWISE NOTED. (P=MICRO-MICRO FARAD)
  4. ALL CAPACITORS TEMPERATURE CHARACTERISTICS ARE [CH] (LESS THAN 1000PF) OR [B] (MORE THAN 1000PF) UNLESS OTHERWISE NOTED.
  5. CHIP PARTS ARE NOT SPECIFIED IN THIS DRAWING PLEASE REFER TO THE PARTS LIST FOR THE CHIP PARTS.

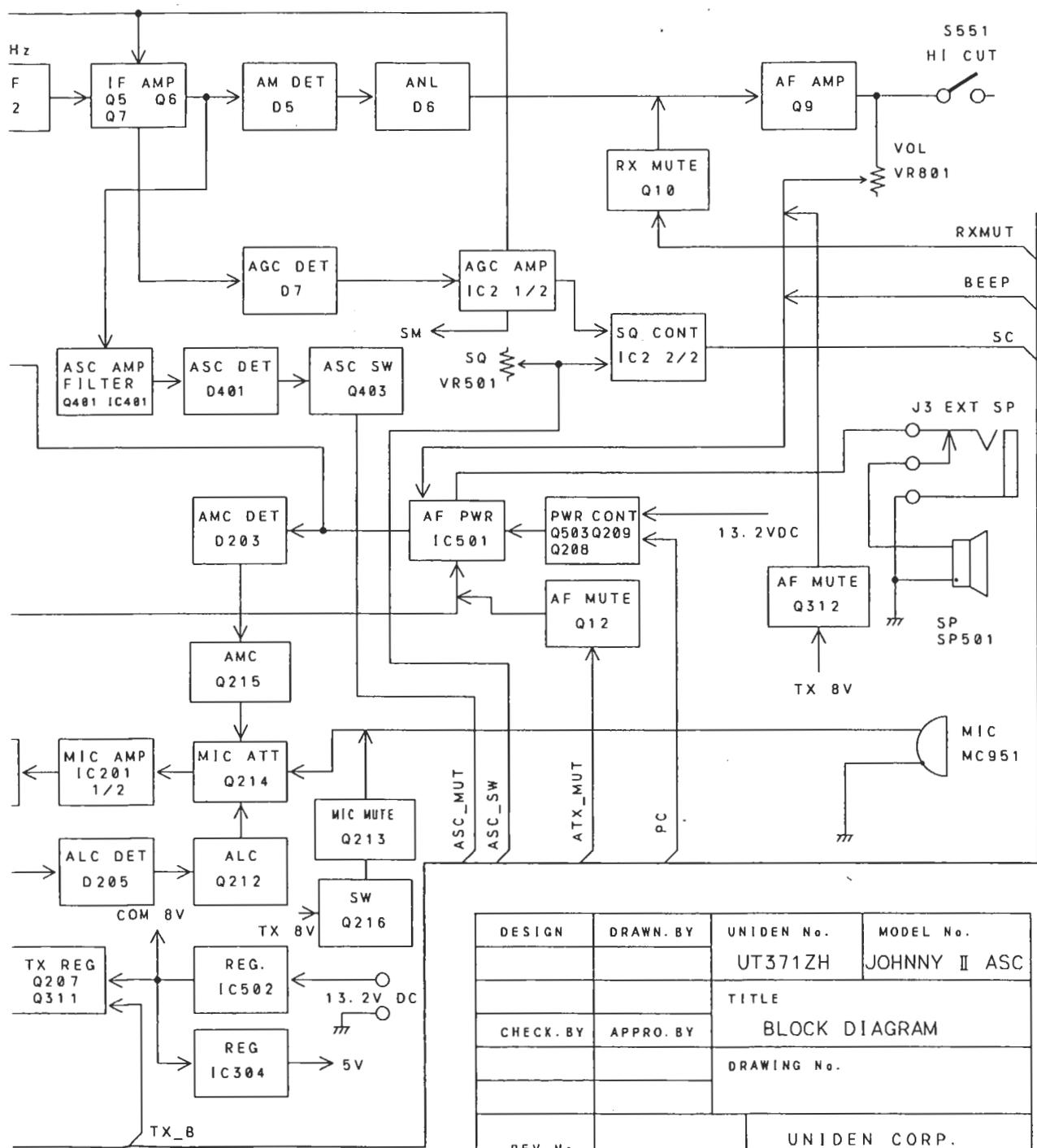
DESIGN	DRAWN BY	UNIDEN No.	MODEL No.
		UT371ZH	JOHNNY II ASC
TITLE			
SCHEMATIC DIAGRAM			
DRAWING No.			
REV. No.	UNIDEN CORP.		

10





2A

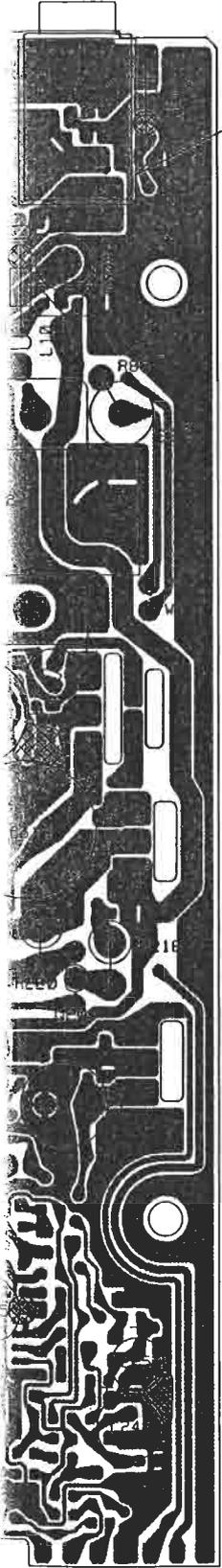


DESIGN	DRAWN. BY	UNIDEN No.	MODEL No.
		UT371ZH	JOHNNY II ASC
TITLE			
BLOCK DIAGRAM			
DRAWING No.			
REV. No.		UNIDEN CORP.	

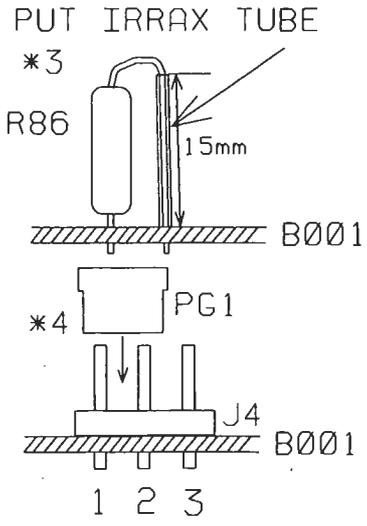
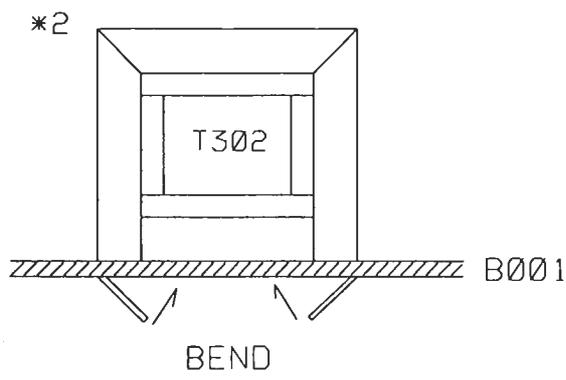
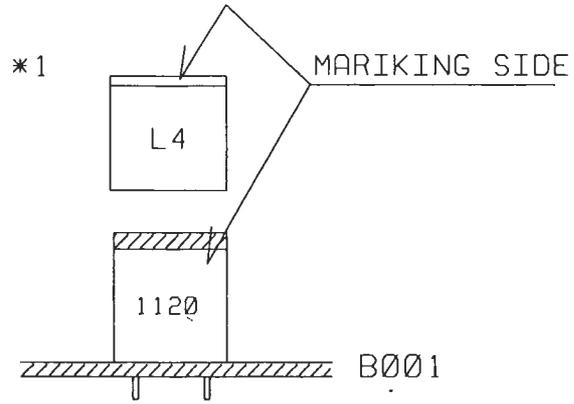
2B







PUT JAPANESE TAPE  
UNDER J3

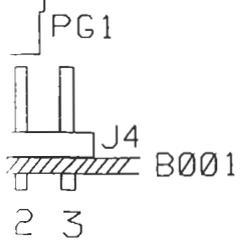
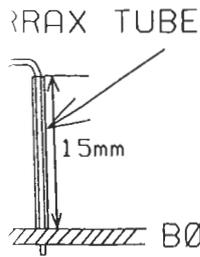
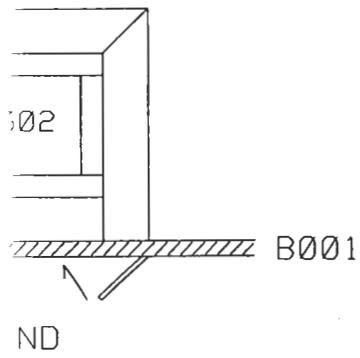
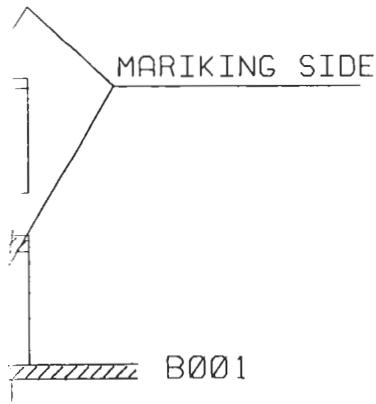


⊗ : YELLOW BOND LOCK(SC-121)

3B

C004	4.7UF 50V	C-0156
C011	1UF 50V	C-0156
C021	0.47UF 50V	C-0156
C030	47UF 25V	C-0156
C031	47UF 25V	C-0156
C043	470UF 25V	C-0156
C044	47UF 25V	C-0156
C047	47UF 25V	C-0156
C065	47UF 25V	C-0156
C235	1000UF 16V	C-0156
C245	220UF 10V	C-0156
C253	47UF 25V	C-0156
C310	47UF 25V	C-0156
C312	470UF 10V	C-0156
C315	1000UF 25V	C-0156
C317	220UF 10V	C-0156
C320	220UF 10V	C-0156
C350	220UF 10V	C-0156
C366	22UF 50V	C-0156
CT301	CT-090 ECR-LA050M52 50PF	
D204	GD 1N4003-A2	
D304	SB340	
FT001	FL-055 10M07AZ	
FT002	FL-052 LTS455HTW	
J003	JK-899 JH3501-0200	
J004	JK-1249 IMSA-0210B-1-0320	
L001	LB-1131 KS2484F	
L002	LB-1153 KS2485NC	
L003	LB-1227 KS2553N	
L004	LB-1120 KS2482AC	
L006	LB-1129 7PL4A151N	
L007	LB-1179 7MK4A033N	
L010	LD-087 8F04-3*5*1	
L011	LD-087 8F04-3*5*1	
L201	LE-475 AC1979	
L202	LE-486 AC1973	
L203	LE-486 AC1973	
L204	LE-475 AC1979	
L205	LC-255 MD146-08F42	
L206	LD-252 3A1737RH	
L207	LD-087 8F04-3*5*1	
L208	LE-535	
L209	LD-087 8F04-3*5*1	
L210	LZ-041 0.35UH	
L211	LD-087 8F04-3*5*1	
L301	LD-252 3A1737RH	
L302	LD-252 3A1737RH	
L360	LB-1226 KY1107R	
L361	LB-1226 KY1107R	
PG001	PG-185 IMSA-9215H-T	
Q201	DB-792 2SC2314F	
Q202	DB-301 2SC941TM-0	
Q209	DB-867 2SC3243-T11-E	
Q308	DB-867 2SC3243-T11-E	
R060	100K 1/4W	
R086	4.7 3WS	
R218	82 1WS	
R219	82 1WS	
R220	100 1WS	
R335	10K 1/6W	
R338	10K 1/6W	
R340	10K 1/6W	

SE TAPE



OND LOCK(SC-121)

C004	4.7UF 50V	C-0156
C011	1UF 50V	C-0156
C021	0.47UF 50V	C-0156
C030	47UF 25V	C-0156
C031	47UF 25V	C-0156
C043	470UF 25V	C-0156
C044	47UF 25V	C-0156
C047	47UF 25V	C-0156
C065	47UF 25V	C-0156
C235	1000UF 10V	C-0156
C245	220UF 10V	C-0156
C253	47UF 25V	C-0156
C310	47UF 25V	C-0156
C312	470UF 10V	C-0156
C315	1000UF 25V	C-0156
C317	220UF 10V	C-0156
C320	220UF 10V	C-0156
C350	220UF 10V	C-0156
C366	22UF 50V	C-0156
CT301	CT-090 ECA-LA050MS2	50PF
D204	GD 1N4003-A2	
D304	SB340	
FT001	FL-055 10M07AZ	
FT002	FL-852 LTS455HTV	
J003	JK-899 JH3501-0200	
J004	JK-1249 IMSA-9210B-1-0320	
L001	LB-1131 KS2404F	
L002	LB-1153 KS2485NC	
L003	LB-1227 KS2553N	
L004	LB-1120 KS2402AC	
L006	LB-1129 7PL4A151N	
L007	LB-1179 7MK4A033N	
L010	LD-087 BF04-3*5*1	
L011	LD-087 BF04-3*5*1	
L201	LE-475 AC1979	
L202	LE-486 AC1973	
L203	LE-486 AC1973	
L204	LE-475 AC1979	
L205	LC-255 MD146-08F42	
L206	LD-252 3A1737RH	
L207	LD-087 BF04-3*5*1	
L208	LE-535	
L209	LD-087 BF04-3*5*1	
L210	LZ-041 0.33UH	
L211	LD-087 BF04-3*5*1	
L301	LD-252 3A1737RH	
L302	LD-252 3A1737RH	
L360	LB-1226 KY1107R	
L361	LB-1226 KY1107R	
PG001	PG-185 IMSA-9215H-T	
Q201	DB-792 2SC2314F	
Q202	DB-301 2SC941TM-0	
Q209	DB-867 2SC3243-T11-E	
Q308	DB-867 2SC3243-T11-E	
R060	100K 1/4W	
R086	4.7 3WS	
R218	02 1WS	
R219	02 1WS	
R220	100 1WS	
R335	10K 1/6W	
R338	10K 1/6W	
R340	10K 1/6W	

R378	10K 1/4W
R395	56 1WS
R398	10K 1/4W
T301	TF-157
T302	TF-215
TP001	TP-122 1020-01-PP1
W001	UL1007 #24 10-140-3 GRN
W002	UL1007 #24 10-140-3 WHT
W003	UL1571 #20 5-30-5 WHT
X301	QX-796 4.258996MHZ
X302	QX-074 10.240MHZ

NOTES:

1. RESISTANCE VALUES ARE SHOWN IN OHMS UNLESS OTHERWISE NOTED. (K-KILO OHM, M-MEG OHM)
2. CAPACITANCE VALUES ARE INDICATED IN MICRO FARADS UNLESS OTHERWISE NOTED.

DESIGN. BY	DRAWN. BY	UNIDEN NO.	MODEL NO.
		UT371ZH	JOHNNY II ASC
CHECK. BY		APPRO. BY	
		TITLE	
		PARTS ASS'Y TOP VIEW	
		DRAWING NO.	
REV. NO.			UNIDEN CORP.

3C







