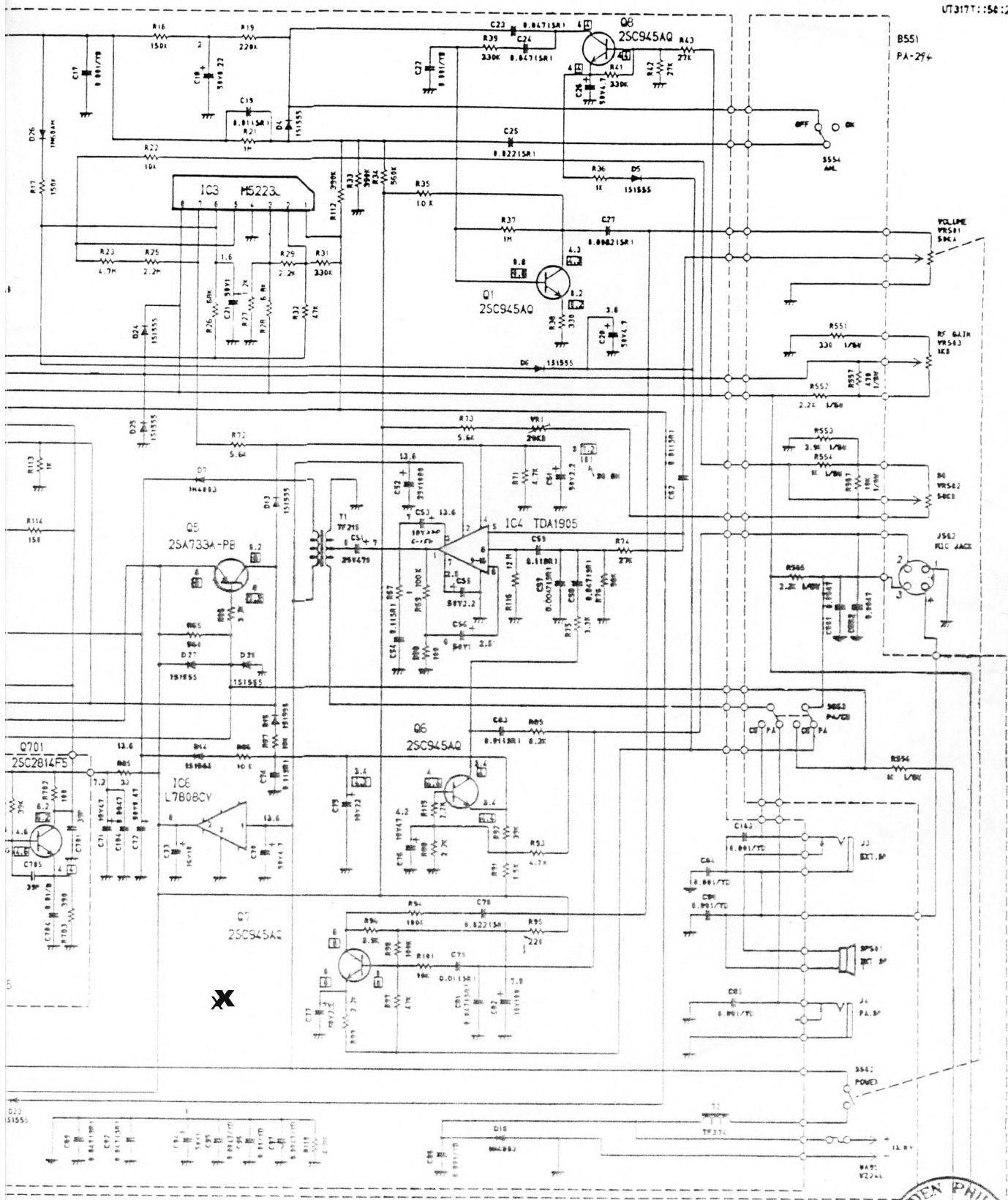


PR J



X



- NOTES:
1. RESISTANCE VALUES ARE SHOWN IN OHMS UNLESS OTHERWISE NOTED. (K=KILO OHM, M=MEG OHM)
 2. RESISTOR WATTAGES ARE 1/8W UNLESS OTHERWISE NOTED.
 3. CAPACITANCE VALUES ARE INDICATED IN MICRO FARADS UNLESS OTHERWISE NOTED. (P=PICO-MICRO FARAD)
 4. ALL CAPACITORS TEMPERATURE CHARACTERISTICS ARE SL (LESS THAN 100PF) OR TF (MORE THAN 100PF) UNLESS OTHERWISE NOTED.
 5. VOLTAGE IN () SHOWS TX CONDITION.
 6. VOLTAGE IN [] SHOWS RX CONDITION UNDER OPERATION OF EACH FUNCTION.
 7. VOLTAGE IN NO MARK SHOWS RX CONDITION.

DESIGN BY	DRAWN BY	WESTON INC	ROOM	JOHNNY
NOV 2 1969	NOV 6 69			
CHECK BY	APPROD BY	TITLE	SCHEMATIC DIAGRAM 1/2	
		DRAWING NO	ES2-0011/2	

THE WESTON CORPORATION

PRESIDENT
JOHNNY
 WWW.ELEKTRODA.PL