

**uniden®**

---

**AMATEUR TRANSCEIVER  
MODEL: HR-2600**

---

**SERVICE INFORMATION  
MANUAL**

**UNIDEN CUSTOMER SERVICE**  
9900 Westpoint Drive  
P.O. Box 501368  
Indianapolis, IN 46250  
TEL (317) 842-2483  
FAX (317) 841-0019

**UNIDEN PARTS DEPT.**  
9900 Westpoint Drive  
P.O. Box 50463  
Indianapolis, IN 46250  
TEL (317) 842-1036  
FAX (317) 849-6653

# AMATEUR TRANSCEIVER

## MODEL : HR-2600

### TABLE OF CONTENTS

<b>1. SPECIFICATIONS .....</b>	<b>1</b>
<b>2. ALIGNMENT PROCEDURES &amp; POINTS.....</b>	<b>5</b>
<b>3. SEMICONDUCTOR LEAD IDENTIFICATION.....</b>	<b>13</b>
<b>4. PARTS PRICE LIST.....</b>	<b>19</b>
<b>5. IC VOLTAGE CHART.....</b>	<b>45</b>
<b>6. FREQUENCY CHART.....</b>	<b>48</b>
<b>7. EXPLODED VIEW &amp; MECHANICAL PARTS LIST.....</b>	<b>49</b>
<b>8. TECHNICAL DRAWINGS.....</b>	<b>53</b>
<b>BLOCK DIAGRAM</b>	
<b>SCHEMATIC DIAGRAM</b>	<b>(E12-3100)</b>
	<b>(E12-3101)</b>
<b>P.C. BOARD VIEW</b>	
<b>MAIN PCB TOP</b>	<b>(E22-8313)</b>
<b>MICOM PCB TOP</b>	<b>(E23-8314)</b>
<b>PCB BOTTOM</b>	<b>(E23-8315)</b>
<b>MAIN PCB BOTTOM</b>	<b>(E24-8316)</b>
<b>NB PCB</b>	<b>(E24-8317)</b>
<b>FM PCB</b>	<b>(E24-8318)</b>
<b>LCD PCB TOP</b>	<b>(E24-8319)</b>
<b>BOTTOM</b>	<b>(E24-8320)</b>
<b>SVR PCB</b>	<b>(E24-8321)</b>
<b>SW PCB</b>	<b>(E24-8322)</b>
<b>RIT PCB</b>	<b>(E24-8323)</b>
<b>PARTS ASS'Y TOP</b>	<b>(E24-8324)</b>
<b>WIRING DIAGRAM</b>	<b>(E32-3078)</b>
	<b>(E32-3079)</b>

Note: Circuit design and specifications are subject to change without notice.

# 1. SPECIFICATIONS

## GENERAL

1. Channel and Frequency Range	: A Band 28.0000 ~ 28.4999 MHz B Band 28.5000 ~ 28.9999 MHz C Band 29.0000 ~ 29.4999 MHz D Band 29.5000 ~ 29.6999 MHz
2. Crystal	: 4
3. Microphone	: 500 $\Omega$ , Dynamic Type with Channel up down
4. Speaker	: 8 $\Omega$ , 5 W Max
5. Antenna Connector	: M Type
6. Jacks & Connectors	: MIC 5P, DC Power 2P, 9 PIN ACC CONNECTOR
7. Controls	: Mode Selector CW-LSB-USB-AM-FM, MIC Gain, TX, DIM, SCAN, SPAN, Meter Select, RPT, Band, F-Lock, up/down, RIT, NB, Frequency Knob, ON/OFF Power Switch & Volume, Auto SQ & Squelch, RF Gain, RIT, SWR/CAL Tone Frequency select SW(Internal SW)
8. Illumination	: RPT. Indication LCD Band. Indication LCD Frequency Indication LCD S/RF, MOD, SWR Indication LCD
9. LCD Meter	: RF Power Indication, Signal Strength, Modulation, CAL, SWR
10. Size	: 186 mm (W) $\times$ 263 mm (D) $\times$ 62 mm (H)
11. Weight	: 1.9 kg
12. Accessories	: DC Power Cable with Fuse Microphone & Mic Hanger Mounting Bracket with Screws Short Plug 9 pin Accessory Plug
13. Display Box Size	: 376 (W) $\times$ 230 (D) $\times$ 110 (H)
14. Display Box Weight	: 2.75 kg (include Unit and ACC.)
15. Quantity / Shipping Carton	: 6 pcs.
16. Size / Shipping Carton	: 730 (W) $\times$ 416 (D) $\times$ 270 (H)
17. Weight / Shipping carton	: 18 kg (Per 6 pcs.)
18. Case Mark	: UCA Standard Style

## MEASUREMENT CONDITIONS

1. Power Source	: 13.8 V (DC)
2. Antenna Impedance	: 50 $\Omega$
3. Test Temperature	: 25°C
4. AM Modulation Frequency	: 1 kHz

5. FM Modulation Frequency	:	1 kHz
6. SSB Modulation Frequency, Two Tone	:	500 Hz & 2400 Hz
7. Mean Signal Input Level	:	1000 uV
8. Reference AM Modulation Percentage	:	1 kHz, 30%
9. Reference FM Deviation	:	1.5 kHz
10. Reference Audio Output Power	:	0.5 W
11. Audio Frequency	:	1 kHz
12. Audio Output Load	:	8 $\Omega$ Resistive
13. Measuring frequency	:	29.000MHz

#### TRANSMITTER SECTION

ITEMS		UNIT	NOMINAL	LIMIT
1. Frequency Tolerance at 25°C (5 minutes after Switch on)	AM	Hz	± 300	± 1500
	SSB	Hz	± 300	± 1500
	FM	Hz	± 300	± 1500
	CW	Hz	± 300	± 1500
2. Carrier Power	AM	W	10.0	8.0 ~ 14.0
	FM	W	10.0	8.0 ~ 14.0
	CW	W	24.0	18.0 ~ 28.0
3. PEP Power, Two Tone, SSB		Wpep	21.0	18.0 ~ 26.0
4. Spurious Harmonic Emission	AM	dB	-50	-40
	SSB	dB	-50	-40
	FM	dB	-50	-40
	CW	dB	-50	-40
5. Carrier Suppression	SSB	dB	-55	-40
6. Unwanted Sideband Suppression (at 2500 Hz 4 Wpep 16 dB up Single tone)	SSB	dB	-45	-35
7. Battery Drain at No Modulation	AM	mA	3000	4500
	SSB	mA	800	1500
	FM	mA	3000	4500
	CW	mA	5000	6500
8. Battery Drain	AM : MAX Modulation	mA	3000	4500
	SSB : MAX Wpep, Two Tone	mA	3000	4500
	FM : MAX Modulation	mA	3000	4500
	CW : TX Mode, No Key Down	mA	800	1200

ITEMS		UNIT	NOMINAL	LIMIT	
<b>9. Modulation Frequency Response (1 kHz, 0 dB Reference)</b>					
Lower at 450 Hz	AM	dB	-4	-10	
	SSB	dB	-4	-12	
	FM	dB	-4	-10	
Upper at 2.5 kHz	AM	dB	-4	-10	
	SSB	dB	-4	-10	
	FM	dB	-4	-10	
10. Microphone Sensitivity	AM : For 50% Modulation	mV	1.5	2.5	
	SSB : For 10 Wpep Output	mV	1.5	2.5	
	FM : For 1 kHz Deviation	mV	1.5	3.0	
11. AMC Range	AM : 50 ~ 100% Modulation	dB	40	30	
	SSB : 16 ~ 26 Wpep	dB	50	40	
12. MIC Gain (ATTENUATE)		dB	-10	-6	
13. Tone deviation (29.52MHz)	FM(RPT)	KHz	0.6	0.5 to 0.8	
<b>RECEIVER SECTION (NB Switch OFF)</b>					
1. Max. Sensitivity	AM	μV	0.5	2.0	
	CW/SSB	μV	0.25	1.0	
2. Sensitivity for 10 dB S/N	AM	μV	0.5	2.0	
	CW/SSB	μV	0.25	1.0	
	FM : 20 dB S/N	FM	μV	0.5	3.0
3. AGC Figure of Merit, 50 mV for 10 dB Change in Audio Output	AM	dB	80	70	
	CW/SSB	dB	80	70	
4. Overall Audio Fidelity at 6 dB down	Upper Frequency	AM	Hz	2000	1500 ~ 4000
		SSB	Hz	3000	2000 ~ 4500
		FM	Hz	1500	1000 ~ 3000
	Lower Frequency	AM	Hz	300	200 ~ 600
		SSB	Hz	300	200 ~ 600
		FM	Hz	300	200 ~ 500
5. Adjacent Channel Selectivity					
(10 kHz, 1 GEN)	AM	dB	70	60	
6. Maximum Audio Output Power	AM	W	4.0	2.5	
	CW/SSB	W	4.0	2.5	
	FM	W	4.0	2.5	
7. Audio Output Power at 10 % THD	AM	W	2.5	2.0	
	CW/SSB	W	2.5	2.0	
	FM	W	2.5	2.0	

ITEMS		UNIT	NOMINAL	LIMIT
8. RF Gain	AM	dB	55	30 ~ 70
	CW/SSB	dB	55	30 ~ 70
	FM	dB	55	30 ~ 70
9. S/N Ratio at 1 mV Input	AM	dB	30	25
	FM	dB	35	25
10. Squelch Sensitivity at Threshold	AM	$\mu$ V	0.5	2.0
	CW/SSB	$\mu$ V	0.5	2.0
	FM	$\mu$ V	0.5	2.0
11. Squelch Sensitivity at Tight	AM	$\mu$ V	1000	250 ~ 4000
	CW/SSB	$\mu$ V	1000	250 ~ 4000
	FM	$\mu$ V	1000	250 ~ 4000
12. S Meter Sensitivity at "S-9" (No Modulation)	AM	$\mu$ V	100	25 ~ 400
	CW/SSB	$\mu$ V	100	25 ~ 400
	FM	$\mu$ V	100	25 ~ 400
13. Image Rejection Ratio	AM	dB	65	50
	CW/SSB	dB	65	50
	FM	dB	65	50
14. i-f Rejection Ratio	AM	dB	65	50
	CW/SSB	dB	65	50
	FM	dB	65	50
15. Oscillator Dropout Voltage	AM	V	9	11
	CW/SSB	V	9	11
	FM	V	9	11
16. Battery Drain at No Signal	AM	mA	500	800
	CW/SSB	mA	500	800
	FM	mA	500	800
17. Battery Drain at Max. Audio Output	AM	mA	1000	1500
	CW/SSB	mA	1000	1500
	FM	mA	1000	1500
18. Clarifier Range	AM	kHz	$\pm 3.0$	$\pm 2.2 \sim \pm 4.0$
	CW/SSB	kHz	$\pm 3.0$	$\pm 2.2 \sim \pm 4.0$
	FM	kHz	$\pm 3.0$	$\pm 2.2 \sim \pm 4.0$
19. NB + ANL Performance	AM	dB	2	3.5
	SSB	dB	2	3.5
20. NB + ANL Loss	CW	dB	2	3.5
	AM	dB	3	5

**NOTE :**

- (1) Shall have reverse polarity protection and operable with negative ground only.
- (2) Operating Power Voltage : 13.8 V + 15 - 20% DC
- (3) Standard Operating Temperature : -10°C ~ +50°C
- (4) Storage Temperature : -30°C ~ +60°C



# Alignment for PLL and Carrier Oscillator Portion

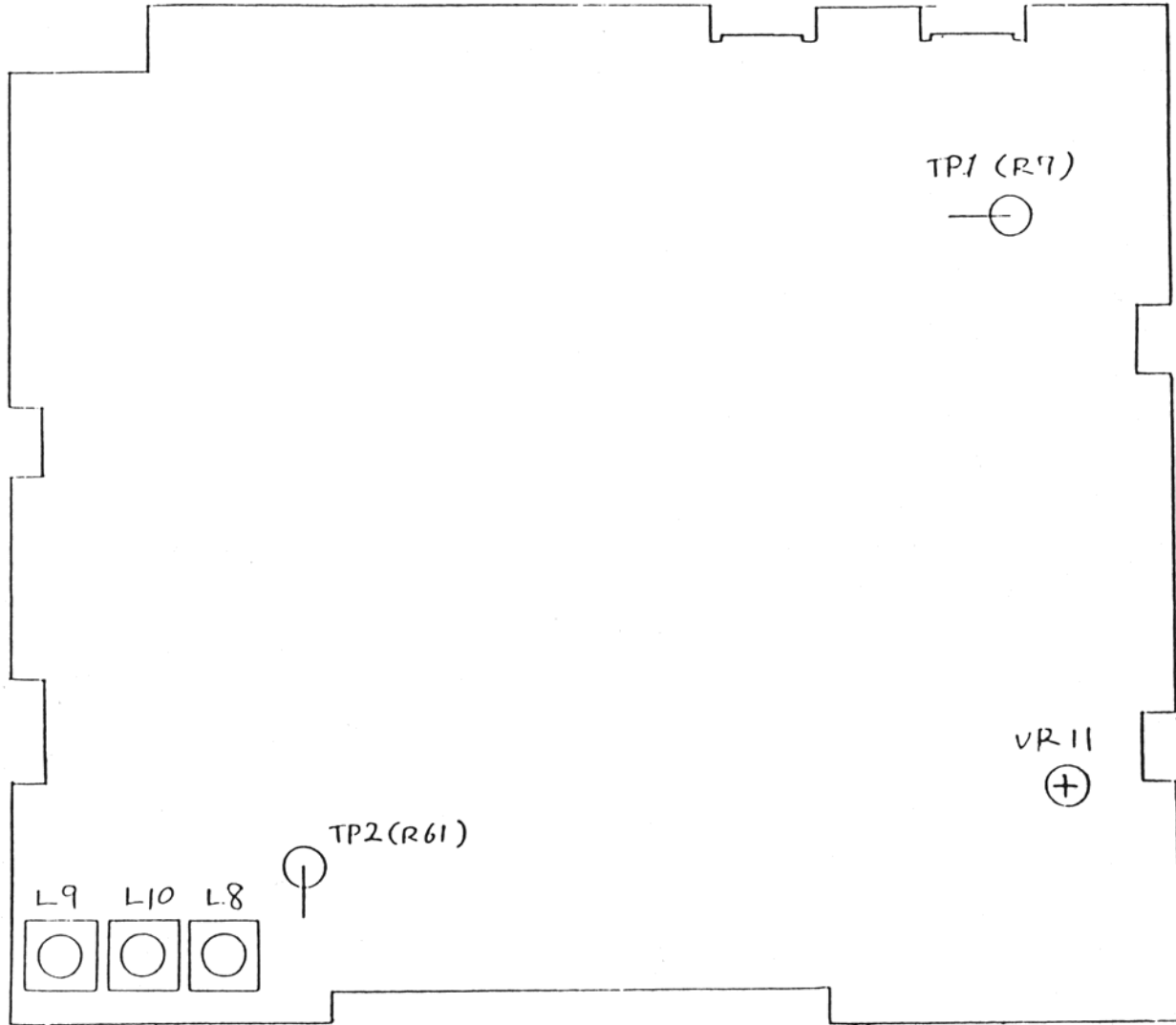
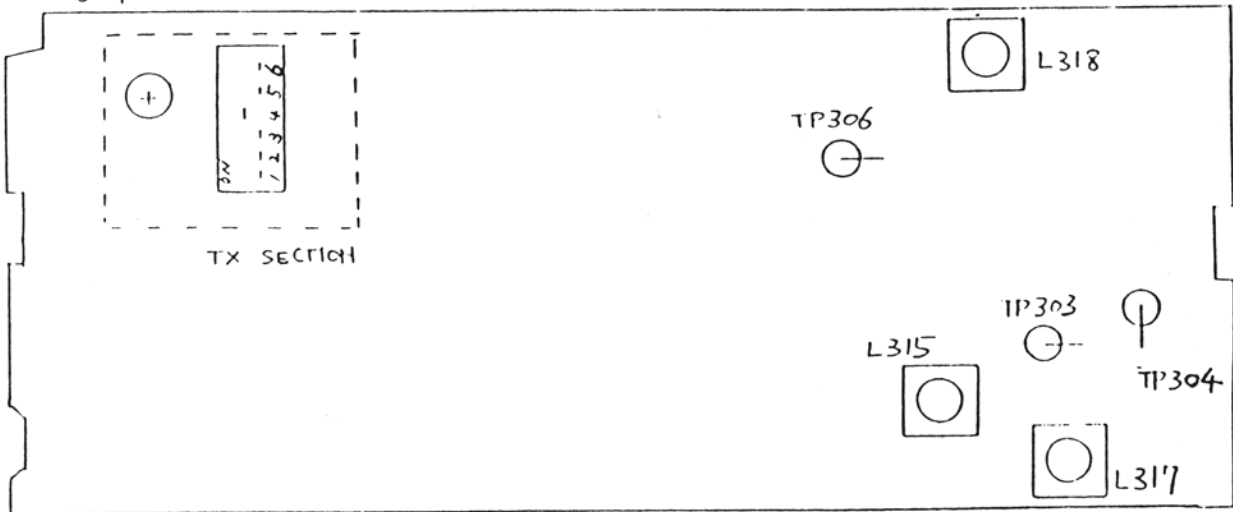


Fig. 7





## ALIGNMENT OF TRANSMITTER PORTION

### 1. Test Equipment Required

DC Power Supply (13.8V) more than 10A	
AF S.S.G. AM FM (1kHz, 500Hz and 2400Hz)	
RF VTVM	Oscilloscope
DC AM METER	RF Power Meter
AF VTVM	Dummy Load (50 ohm)
FM Linear Detector	

### 2. Preparation for Alignment

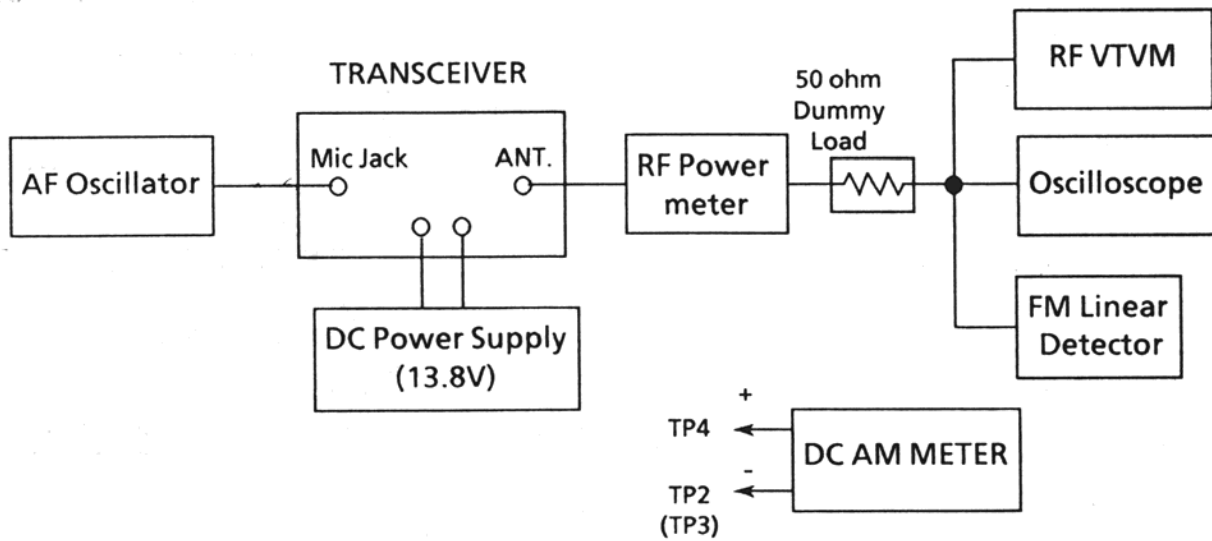
VR13	:	Clockwise	RIT SW	:	OFF
VR14	:	Clockwise	METER SW	:	RF
VR4	:	Clockwise	Mic Gain SW	:	OFF
SWR/CAL	:	Middle Position	TX SW	:	OFF
FREQ.	:	29.000 MHz			

### 3. Alignment Procedure

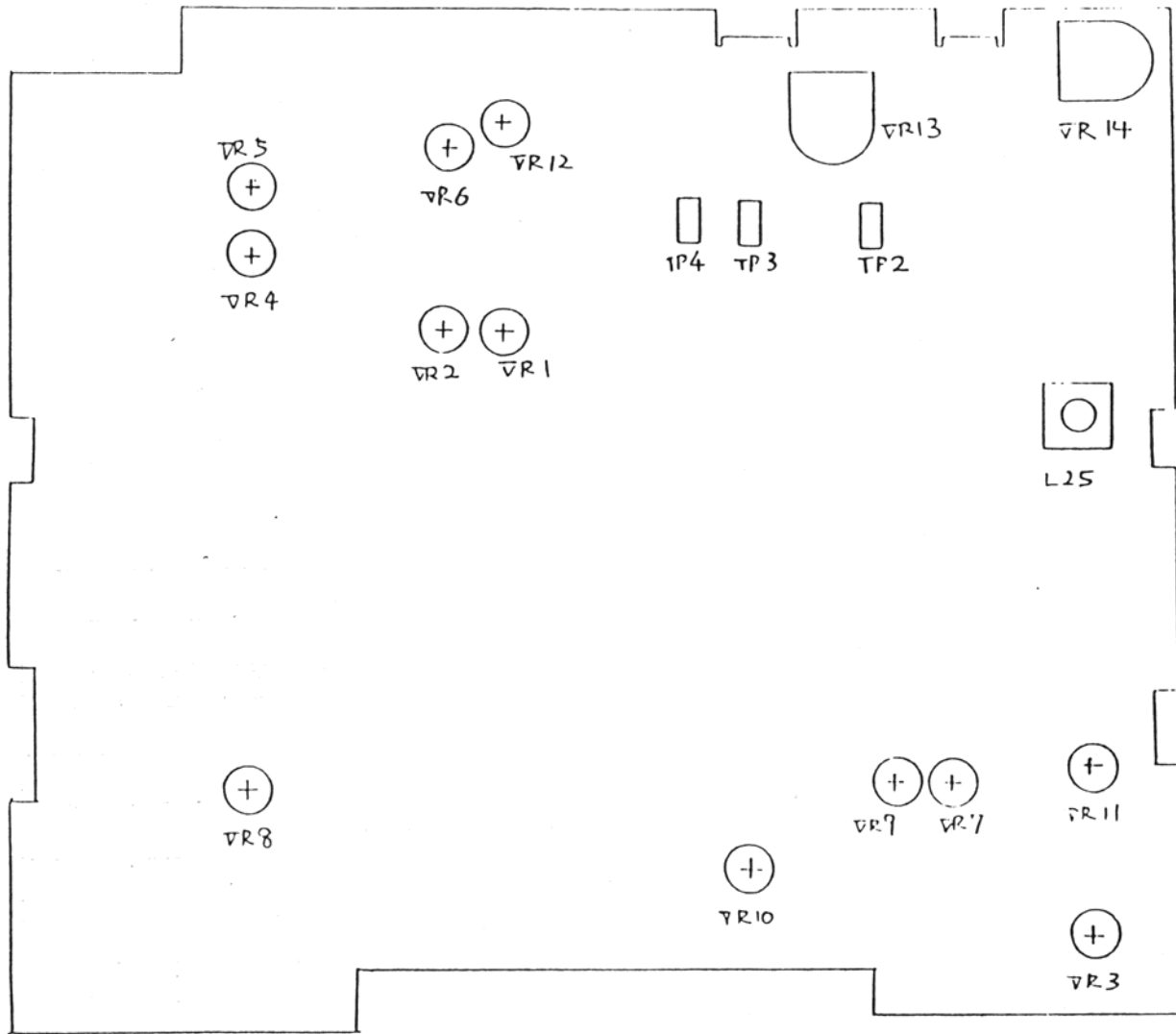
Step	Preset to	Adjustment	Remarks
1	Mode : USB No.mod.	VR13	Remove the B751(PB-100) from Main PCB. Connect a DC AM Meter( + ) to TP4, (-) to TP3. Adjust VR13 for 50 mA reading on the DC AM Meter.
2	Ditto	VR14	Connect the DC AM Meter( + ) to TP4, (-) to TP2. Adjust VR14 for 50 mA reading on the DC AM Meter.
3	1mV mod.	L 25	Disconnect the DC AM Meter. Reinstall the B751 to the Main PCB. Connect a RF Power meter to the ANT.jack. Connect a RF VTVM, an oscilloscope and an FM Linear Detector across an RF Dummy load to the RF Power meter. Adjust L 25 for maximum reading on the RF VTVM. During this step, set the AF oscillator so that the output is less than 20V.
4	30mV mod.	VR 5	Adjust VR 5 for 32.5V reading on the RF VTVM.
5	USB / LSB No mod.	VR 7	Adjust VR 7 so that the carrier leakage at USB and LSB become minimum and almost equal.
6	Mode : CW Non Mod.	VR 4	Connect a SW to between Pin 8 and 9 of ACC connector. When turn on the SW, adjust VR 4 for 34.5 V reading on the RF VTVM.
7	Mode : AM Non Mod.	VR 8	Adjust VR 8 for 10W reading on the RF power meter.
8	Ditto	VR 12	Adjust VR 12 so that "9" LCD just lights on.
9	AM 1kHz, 30mV Mod.	VR 6	Adjust VR 6 to obtain the 80% negative reading on the oscilloscope.

Step	Preset to	Adjustment	Remarks
10	AM 1kHz, 1mV Mod. METER : MOD	VR 9	Adjust VR 9 so that "9" LCD just lights on.
11	FM 1kHz, 30mV Mod.	VR 3	Adjust VR 3 for $\pm 4$ kHz deviation reading on the FM Linear Detector.
12	FM No Mod. RPT SW : ON	VR 303	Adjust VR 303 for $\pm 0.6$ kHz deviation reading on the FM Linear Detector.
13	Mode: CW No Mod. Vol. : Max.	VR 10	Connect an AF VTVM across a dummy load (8ohm) to between Pin 1 and Pin 2 of ACC connector. When turn on the SW, adjust VR 10 for 4 V reading on the AF VTVM.

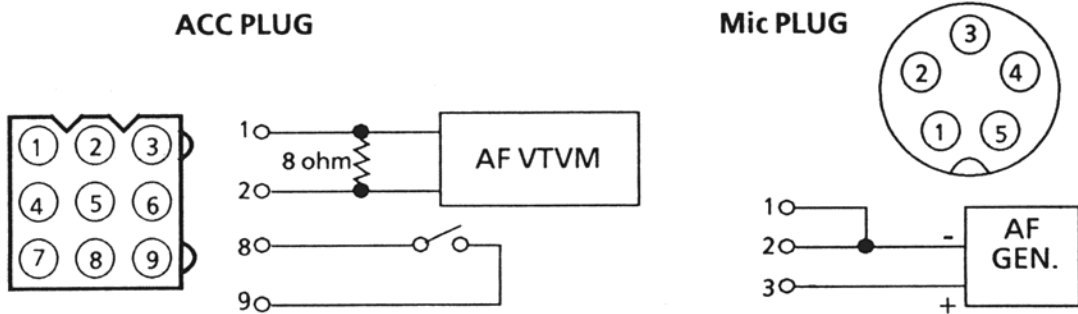
### TEST EQUIPMENT CONNECTION



# Alignment for Transmitter Portion



## CONNECTION FOR Tx ALIGNMENT



## ALIGNMENT OF RECEIVER PORTION

### 1. Test Equipment Required

AF VTVM	DC Power Supply (13.8V)
Oscilloscope	Dummy Load (8 ohm)
S.S.G.(29.000MHz , 1kHz, 30% Mod. 1 kHz 1.5 kHz Dev. and 50-ohm Impedance)	

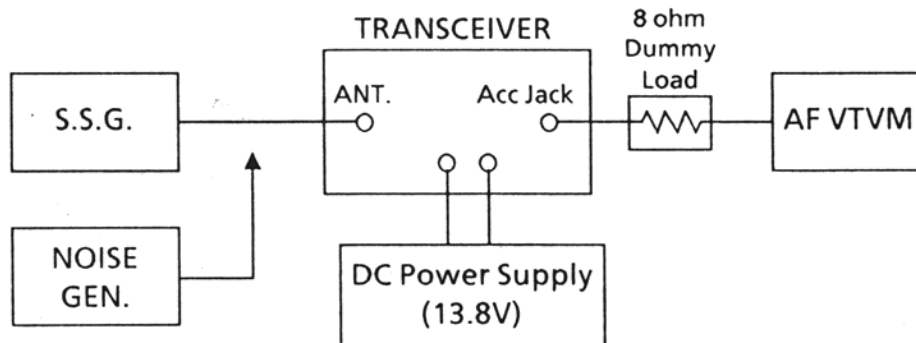
### 2. Alignment Procedure

NB SW	: OFF	Mode	: AM
RIT SW	: OFF	Squelch	: Min. (Auto SQ OFF)
RPT SW	: OFF	RF Gain	: MAX
VOLUME	: MAX	TX	: OFF
RIT	: Middle position		

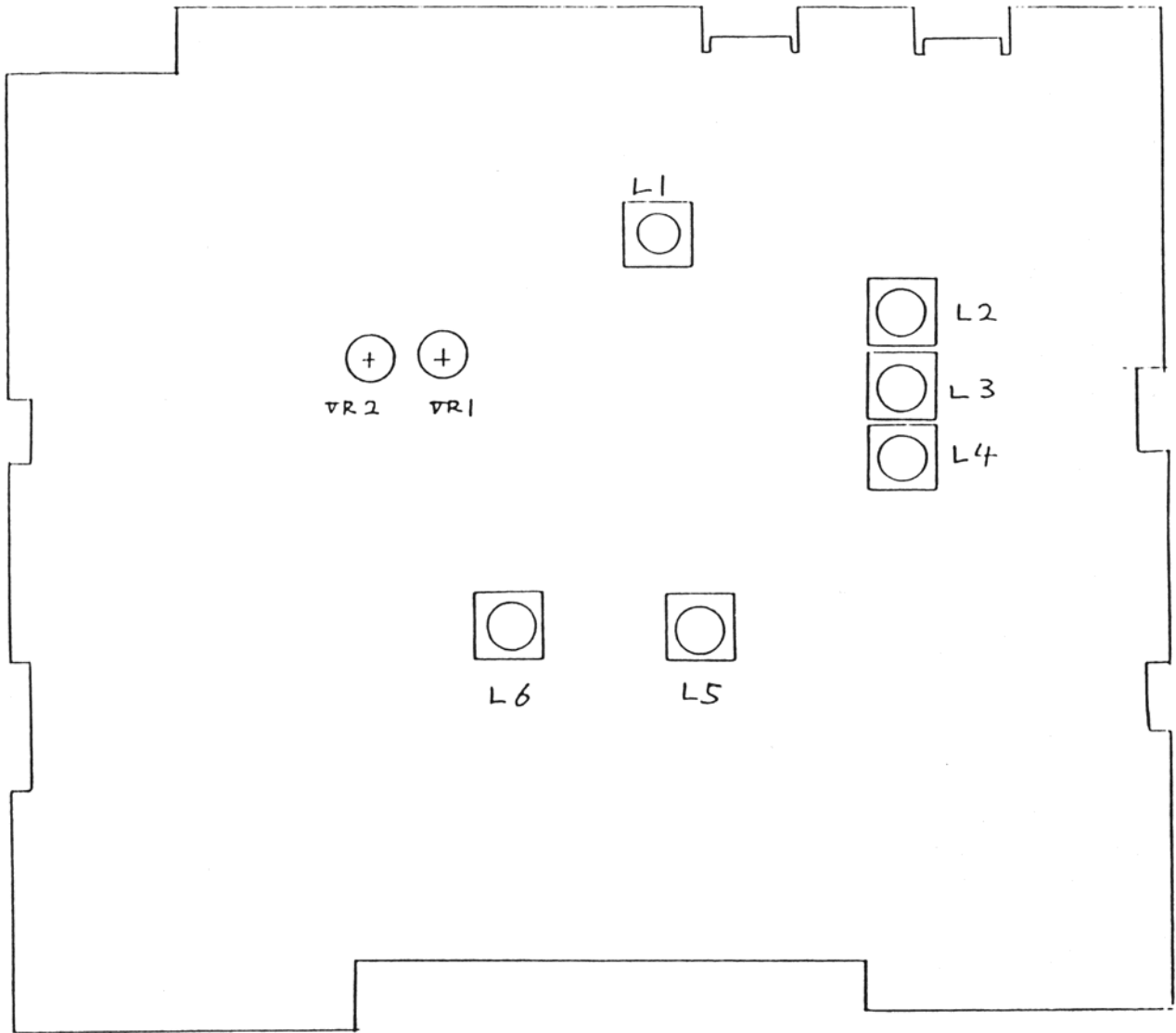
### 3. Alignment Procedure

Step	Preset to	Adjustment	Remarks
1	RX 29MHz 1 kHz,30% mod.	L 1~6	<b>Alignment of sensitivity</b> Adjust coils for maximum reading on the AF VTVM.(During this step, set the S.S.G.attenuator so that the standard output is less than 0.5W (2V / 8ohm).
2	Ditto	VR 2	<b>Alignment of Squelch</b> Set the output of S.S.G. to 66 dB dB and squelch to maximum. Adjust VR 2 so that the squelch just breaks.
3	No Mod. METER : RF	VR 1	<b>Alignment of S- Meter</b> Set the output of S.S.G. to 46 dB, no modulation. Adjust VR 1 so that "9" LCD just lights on.

## TEST EQUIPMENT CONNECTION

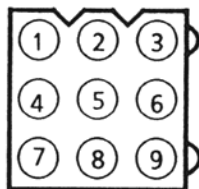


# Alignment for Receiver Portion

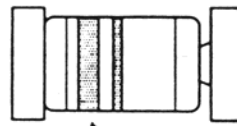
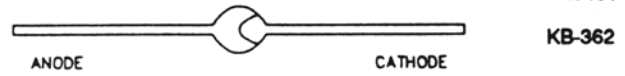
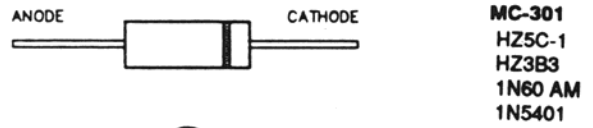
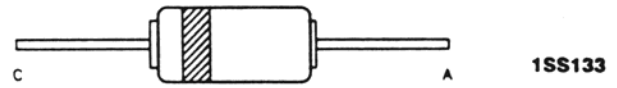
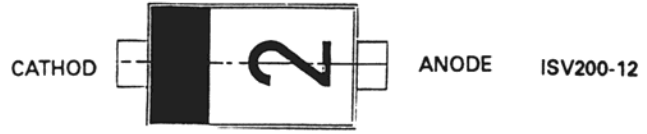
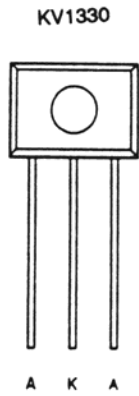
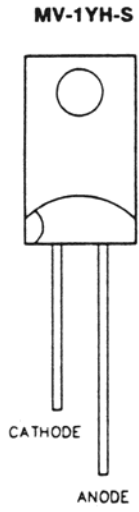


## CONNECTION FOR Rx ALIGNMENT

### ACC PLUG



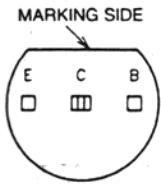
### 3. SEMICONDUCTOR LEAD IDENTIFICATION



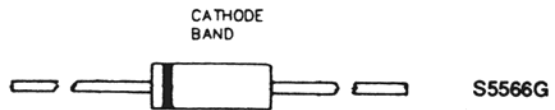
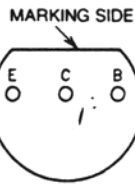
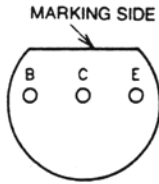
**RLS4148 TE11**

- 2SC1675-L
- 2SC1730-L
- 2SC945A-Q
- 2SC1674-L
- 2SC1973-SSB
- 2SA733A-PB

**2SC3242A-E**

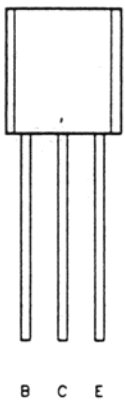


**2SC2086-D**

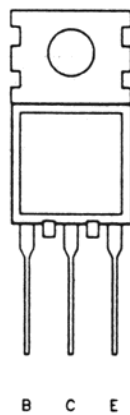


- 2SC2812-L5TA
- 2SC3121 TE85L
- 2SC2814-F5TA
- 2SC2712-YTE85L
- 2SA1179-M6TA

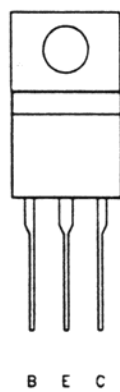
**2SB525-D UN I**



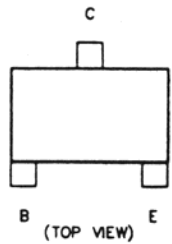
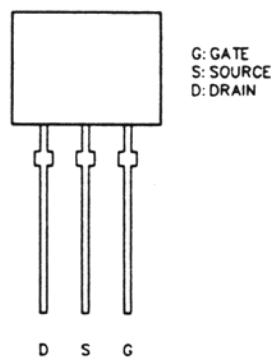
**2SC2166-C**



**MRF-477**

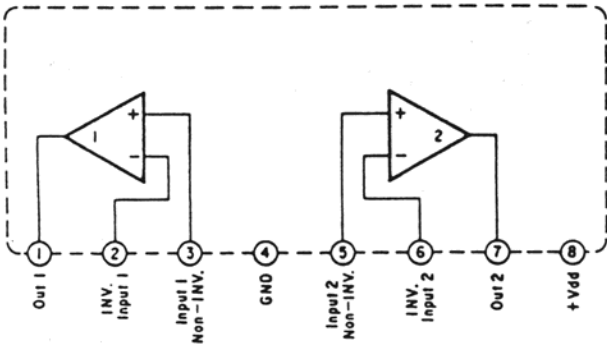


**2SK192A-BL**

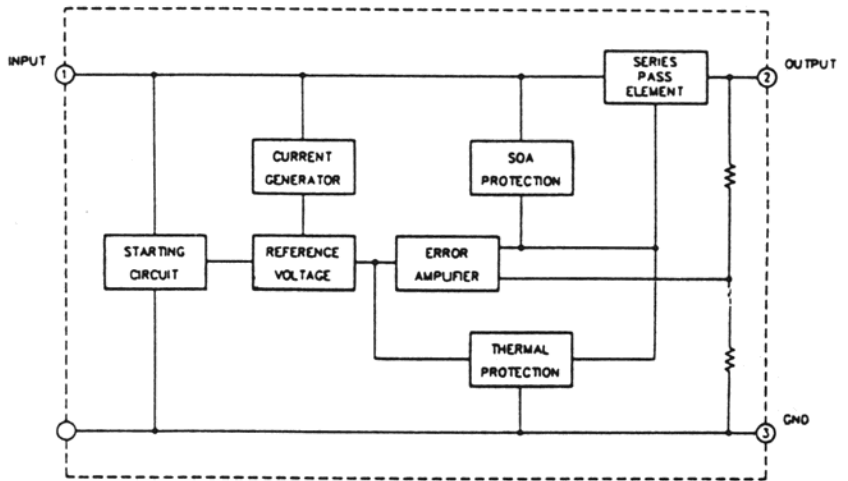
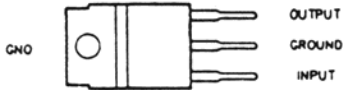


# IC INTERNAL DIAGRAM

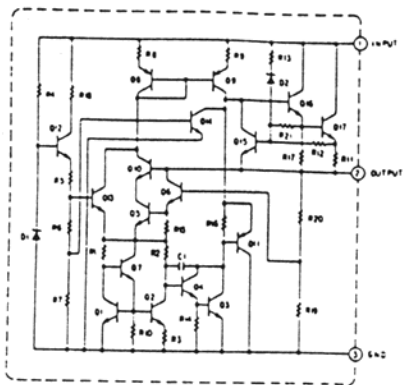
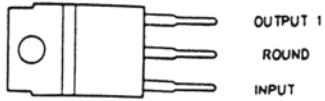
M5223L



L78M08CV

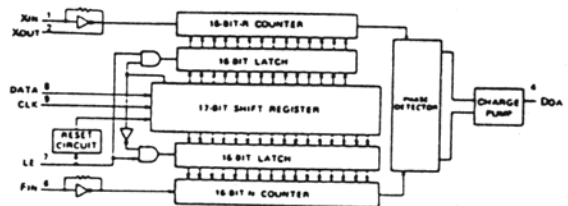
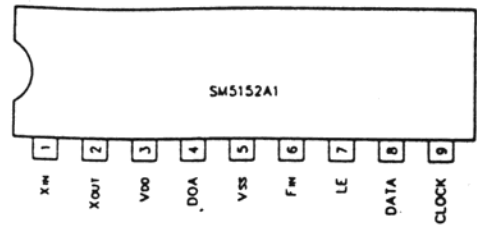


L78M05CV



SM5152A1

*JC302*

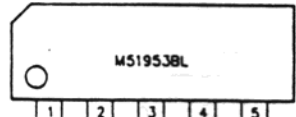
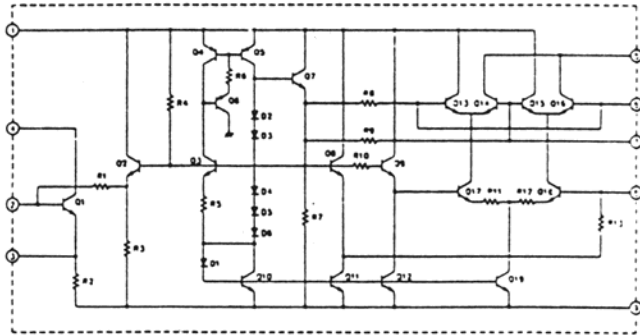
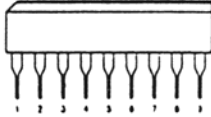






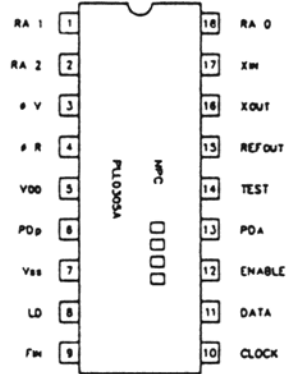
M51953BL

TA7320P

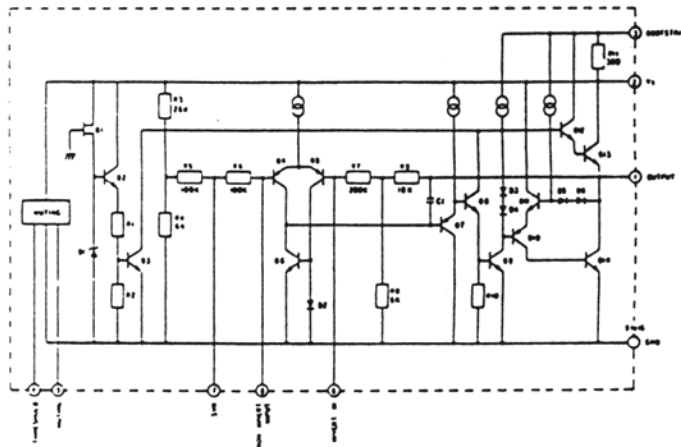
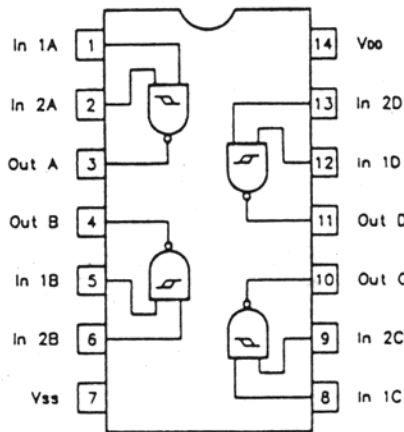


Vcc NC GND OUTPUT  
External Capacity to Delay

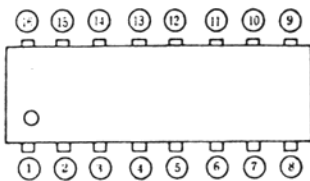
TDA1905



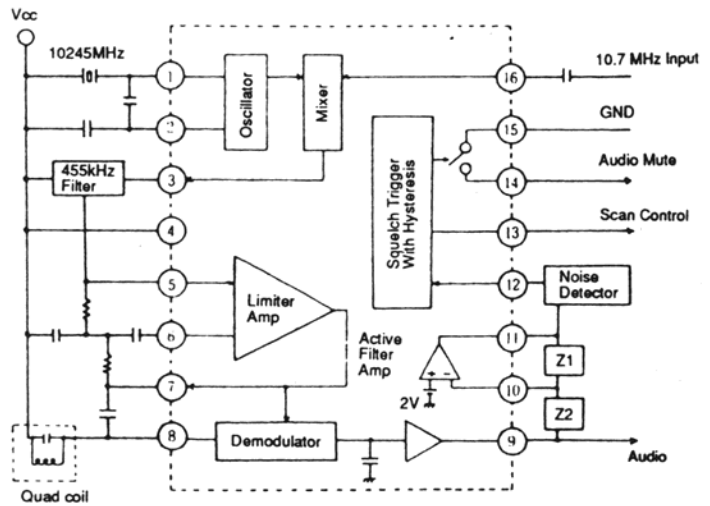
HD14093BP



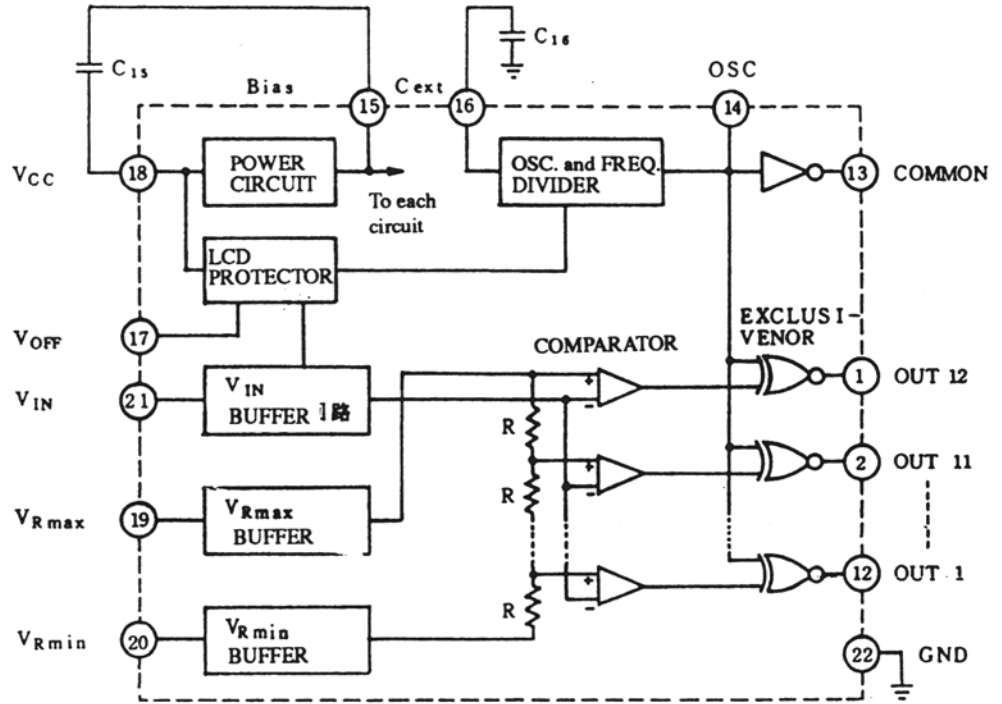
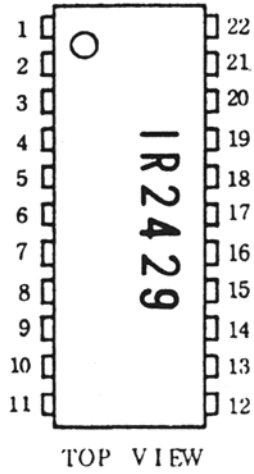
IR3N06



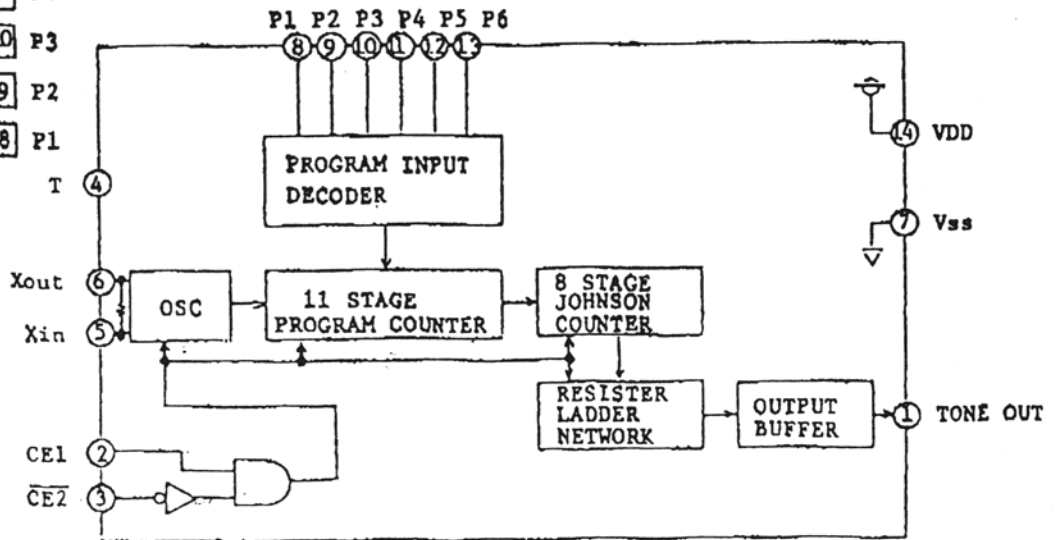
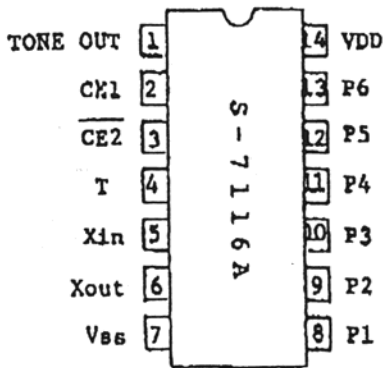
Pin No	functions	Pin No	Functions
1	Crystal OSC	9	Demodulator Output
2	Mixer Output	10	Filter Input
3	Vcc	11	Filter Output
4	Limiter Input	12	Squelch Input
5	Decoupling	13	Scan Control
6	Limiter Output	14	Audio Mixer
7	Quad Input	15	GND
8	Quad Input	16	RF Input

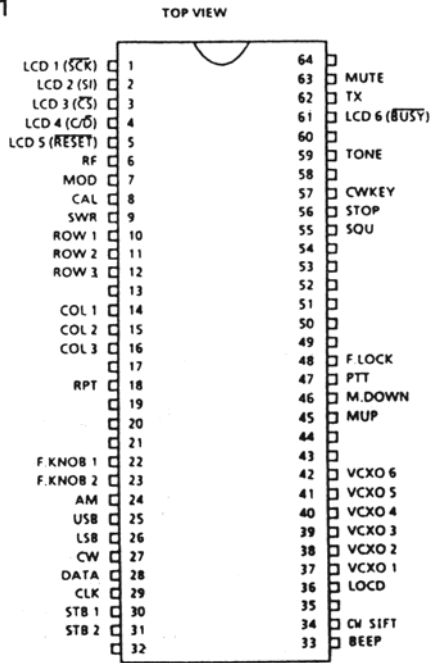


IR2429



S-7116A





Pin No.	Pin Name	I/O	At Reset and Stop	In Out Type	Description
1	LCD SCK	O	H	P,U	LCD Driver SCK
2	LCD SI	O	H	P,U	LCD Driver SI
3	LCD CS	O	H	P,U	LCD Driver CS
4	LCD CD	O	H	P,U	LCD Driver CD
5	LCD Reset	O	H	P,U	LCD Driver Reset
6	RF	O	L	P,D	Indicator RF Selection output L:RF H:other
7	MOD	O	L	P,D	Indicator MOD Selection output L:MOD H:other
8	CAL	O	L	P,D	Indicator CAL Selection output L:CAL H:other
9	SWR	O	L	P,D	Indicator SWR Selection output L:SWR H:other
10	ROW 1	I/O	L	P,D	KEY MATRIX
11	ROW 2	I/O	L	P,D	KEY MATRIX
12	ROW 3	I/O	L	P,D	KEY MATRIX
13					
14	COL 1	I/O	L	P,D	KEY MATRIX
15	COL 2	I/O	L	P,D	KEY MATRIX
16	COL 3	I/O	L	P,D	KEY MATRIX
17					
18	RPT	I	H	P,U	Repeater SW input L: ON H: OFF
19					
20					
21					
22	F.KNOB 1	I			F.KNOB 1 INPUT
23	F.KNOB 2	I			F.KNOB 2 INPUT
24	AM	I	H	P,U	MODE SW AM INPUT L:AM H:Other
25	USB	I/O	H	P,U	MODE SW USB INPUT L:USB H:Other

Pin No.	Pin Name	I/O	At Reset and Stop	In Out Type	Description
26	LSB	I	H	P,U	MODE SW LSB INPUT L:LSB H:Other
27	CW	I/O	H	P,U	MODE SW CW INPUT L:CW H:Other
28	DATA	O	H	P,U	PLL DATA (N1 N2 N3) OUTPUT
29	CLK	O	H	P,U	PLL CLK OUTPUT
30	STB 1	O	H	P,U	PLL LE OUTPUT
31	STB 2	O	H	P,U	PLL ENABLE OUTPUT
32					
33	BEEP	O	H	P,U	Output Square wave 2 kHz at 50msec(Key Push)
34	CW SIFT	I	H	P,U	1700Hz Shift up at CW SIFT H:Enable L:Unenable
35					
36	LOCD	I	H	P,U	PLL LOCK Detected H:LOCK L:UNLOCK
37	VCXO 1	O	H	P,U	PLL VCXO (NO) OUTPUT
38	VCXO 2	O	H	P,U	PLL VCXO (NO) OUTPUT
39	VCXO 3	O	H	P,U	PLL VCXO (NO) OUTPUT
40	VCXO 4	O	H	P,U	PLL VCXO (NO) OUTPUT
41	VCXO 5	O	H	P,U	PLL VCXO (NO) OUTPUT
42	VCXO 6	O	H	P,U	PLL VCXO (NO) OUTPUT
43					
44					
45	H UP	I	H	P,U	MIC UP SW INPUT
46	M-Down	I	H	P,U	MIC Down SW INPUT
47	PTT	I	H	P,U	PTT INPUT L:ON H:OFF
48	F.LOCK	I	H	P,U	F.LOCK SW INPUT L:ON H:OFF
49					
50					

Pin No.	Pin Name	I/O	At Reset and Stop	In Out Type	Description
51					
52					
53					
54					
55	SQU	I	H		SQUELCH INPUT L:YES H:NO
56	STOP	I	H	P,U	L:INTO STOP MODE
57	CW KEY	I	H	P,U	CW KEY INPUT L:ON H:OFF
58					
59	TONE	O	H	P,U	Tone Output H:Selection L:unselection
60					
61	LCD BUSY	O	H	P,U	LCD DRIVER BUSY
62	TX	O			TX/RX OUTPUT H:TX L:RX
63	MUTE	O	L	P,D	MUTE OUTPUT H:MUTE L:UNMUTE
64					

## 4. PARTS PRICE LIST

Parts price is subject to change without notice.

## UCA PARTS PRICE LIST

(MODEL)

HR-2600

(SYMBOL)	(PARTS CODE)	(DESCRIPTION)	(QTY)	(LIST PRICE)
	SSCW133005N	SCREW:FLAT HD + M3X5 NI	4	\$ 0.01
	SSCW192012N	SCREW:BIND HD + M2X12 NI	2	\$ 0.01
	SSCW193006N	SCREW:BIND HD + M3X6 NI	4	\$ 0.01
	SSCW193008B	SCREW:BIND HD + M3X8 BNI	4	\$ 0.02
	SSCW193008N	SCREW:BIND HD + M3X8 NI	1	\$ 0.01
	SSCW293508N	SCREW:TAPPING ROUND HD + D3.5X8 NI	2	\$ 0.03
	SSCW295010N	SCREW:TAPPING ROUND HD + D5X10 NI	4	\$ 0.05
	SSCW343006B	SCREW:TAPTIGHT BIND HD + M3X6 BNI	8	\$ 0.03
	SSCW343006N	SCREW:TAPTIGHT BIND HD + M3X6 NI	4	\$ 0.02
	SSCW430030N	HEX NUT M3.0 NI	1	\$ 0.03
	SSCW480030Z	NUT:FLANGE M3 ZMC	4	\$ 0.07
	SSCW490050N	WASHER FLAT D5 NI	4	\$ 0.03
	SSCW530035N	WASHER:LOCK D3.5 NI	2	\$ 0.03
	SSCW540050N	WASHER:STAR D5 NI	4	\$ 0.05
	SSCW803008N	SCREW:P TIGHT BIND HD + D3X8 NI	3	\$ 0.02
	SSCW133005N	SCREW:FLAT HD + M3X5 NI	4	\$ 0.01
	SSCW193006N	SCREW:BIND HD + M3X6 NI	2	\$ 0.01
	SSCW803008N	SCREW:P TIGHT BIND HD + D3X8 NI	1	\$ 0.02
	SSCW193006N	SCREW:BIND HD + M3X6 NI	4	\$ 0.01
	SSCW803008N	SCREW:P TIGHT BIND HD + D3X8 NI	2	\$ 0.02
			1	\$ 0.02
B001	BPBY0150AAZ	PC BOARD:MAIN PB-150AA	1	\$ 8.03
B201	BPBY0117ABZ	PC BOARD:N.B PB-117AB	1	\$ 1.31
B301	BPBY0148AAZ	PC BOARD:PLL PB-148AA	1	\$ 38.80
B401	BPBY0119ACZ	PC BOARD:FM PB-119AC	1	\$ 1.58
B501	BPBY0112AAZ	PC BOARD:L.C.D PB-112AA	1	\$ 8.46
B551	BPBY0118AAZ	PC BOARD:SWR PB-118AA	1	\$ 1.73
B601	BPBY0153AAZ	PC BOARD:SWITCH PB-153AA	1	\$ 1.15
B651	BPBY0126ABZ	PC BOARD:MIC PB-126AB	1	\$ 0.21
B701	BPBY0114ABZ	PC BOARD:SQ PB-114AB	1	\$ 0.24
B751	BPBY0100ABZ	PC BOARD:CHECK POINT PB-100AB	1	\$ 0.75
B801	BPBY0149AAZ	PC BOARD:RIT PB-149AA	1	\$ 0.62
B901	BPBY0115AAZ	PC BOARD:CH SW PB-115AA	1	\$ 0.19
B911	BPBY0116BAZ	PC BOARD:MODE SW PB-116BA	1	\$ 0.34
C001	BCCR813304Z	CAPACITOR:CERAMIC 33PF 50V J RH	1	\$ 0.08
C003	BCKD811026Z	CAPACITOR:CERAMIC 0.001UF 50V M YD(D)	1	\$ 0.07
C004			1	\$ 0.07

(SYMBOL)	(PARTS CODE)	(DESCRIPTION)	(QTY)	(LIST PRICE)
C005	BCCG811205Z	CAPACITOR:CERAMIC 12PF 50V K SL	1	\$ 0.07
C006	BCKG811030Z	CAPACITOR:CERAMIC 0.01UF 50V Z YF(F)	1	\$ 0.07
C007	BCAX312206Z	CAPACITOR:ELECTROLYTIC 22UF 16V M C-124	1	\$ 0.17
C008	BCKG811030Z	CAPACITOR:CERAMIC 0.01UF 50V Z YF(F)	1	\$ 0.07
C009	BCKG811030Z		1	\$ 0.07
C010	BCEW311006Z	CAPACITOR:ELECTROLYTIC 10UF 16V M C-105	1	\$ 0.50
C011	BCKG811030Z	CAPACITOR:CERAMIC 0.01UF 50V Z YF(F)	1	\$ 0.07
C012	BCCG814091Z	CAPACITOR:CERAMIC 4PF 50V C SL	1	\$ 0.07
C013	BCCG813091Z	CAPACITOR:CERAMIC 3PF 50V C SL	1	\$ 0.07
C014			1	\$ 0.07
C015	BCKG814720Z	CAPACITOR:CERAMIC 0.0047UF 50V Z YF(F)	1	\$ 0.07
C016	BCKD811026Z	CAPACITOR:CERAMIC 0.001UF 50V M YD(D)	1	\$ 0.07
C017			1	\$ 0.07
C018	BCEW311006Z	CAPACITOR:ELECTROLYTIC 10UF 16V M C-105	1	\$ 0.50
C019	BCGC511035Z	CAPACITOR:SEMI CONDUCTOR(SR) 0.01UF 25V K	1	\$ 0.13
C020	BCGC514735Z	CAPACITOR:SEMI-CONDUCTOR(SR) 0.047UF 25V K	1	\$ 0.21
C021			1	\$ 0.21
C022			1	\$ 0.21
C023			1	\$ 0.21
C024	BCCG811505Z	CAPACITOR:CERAMIC 15PF 50V K SL	1	\$ 0.07
C025	BCCG815091Z	CAPACITOR:CERAMIC 5PF 50V C SL	1	\$ 0.07
C026	BCCG811015Z	CAPACITOR:CERAMIC 100PF 50V K SL	1	\$ 0.07
C027	BCAX811096Z	CAPACITOR:ELECTROLYTIC 1UF 50V M C-124	1	\$ 0.17
C028	BCCG812205Z	CAPACITOR:CERAMIC 22PF 50V K SL	1	\$ 0.07
C029	BCCG813305Z	CAPACITOR:CERAMIC 33PF 50V K SL	1	\$ 0.07
C030	BCKG811030Z	CAPACITOR:CERAMIC 0.01UF 50V Z YF(F)	1	\$ 0.07
C031	BCGC514725Z	CAPACITOR:SEMI-CONDUCTOR(SR) 0.0047UF 25V K	1	\$ 0.12
C032	BCGC513335Z	CAPACITOR:SEMI CONDUCTOR(SR) 0.033UF 25V K	1	\$ 0.13
C033	BCAX114706Z	CAPACITOR:ELECTROLYTIC 47UF 10V M C-124	1	\$ 0.17
C034			1	\$ 0.17
C035	BCGC511235Z	CAPACITOR:SEMI-CONDUCTOR(SR) 0.012UF 25V K	1	\$ 0.13
C036	BCGC511035Z	CAPACITOR:SEMI CONDUCTOR(SR) 0.01UF 25V K	1	\$ 0.13
C037	BCCG811805Z	CAPACITOR:CERAMIC 18PF 50V K SL	1	\$ 0.07
C038	BCKD811026Z	CAPACITOR:CERAMIC 0.001UF 50V M YD(D)	1	\$ 0.07
C039	BCAX114706Z	CAPACITOR:ELECTROLYTIC 47UF 10V M C-124	1	\$ 0.17
C040			1	\$ 0.17
C041			1	\$ 0.17
C042			1	\$ 0.17
C043	BCCU815091Z	CAPACITOR:CERAMIC 5PF 50V C UJ	1	\$ 0.08
C044	BCCC811014Z	CAPACITOR:CERAMIC 100PF 50V J CH	1	\$ 0.10
C045	BCCF811091Z	CAPACITOR:CERAMIC 1PF 50V C CK	1	\$ 0.08
C046	BCGC514725Z	CAPACITOR:SEMI-CONDUCTOR(SR) 0.0047UF 25V K	1	\$ 0.12
C047	BCGC511045Z	CAPACITOR:SEMI-CONDUCTOR(SR) 0.1UF 25V K	1	\$ 0.34
C048	BCAX661006Z	CAPACITOR:ELECTROLYTIC 10UF 35V M C-124	1	\$ 0.17

(SYMBOL)	(PARTS CODE)	(DESCRIPTION)	(QTY)	(LIST PRICE)
C049	BCKG814720Z	CAPACITOR:CERAMIC 0.0047UF 50V Z YF(F)	1	\$ 0.07
C050	BCKG811030Z	CAPACITOR:CERAMIC 0.01UF 50V Z YF(F)	1	\$ 0.07
C051			1	\$ 0.07
C052	BCAX114706Z	CAPACITOR:ELECTROLYTIC 47UF 10V M C-124	1	\$ 0.17
C053	BCCR811014Z	CAPACITOR:CERAMIC 100PF 50V J RH	1	\$ 0.10
C054	BCCG813915Z	CAPACITOR:CERAMIC 390PF 50V K SL	1	\$ 0.09
C055	BCKG811030Z	CAPACITOR:CERAMIC 0.01UF 50V Z YF(F)	1	\$ 0.07
C056	BCEW811096Z	CAPACITOR:ELECTROLYTIC 1UF 50V M C-105	1	\$ 0.50
C057	BCGC511045Z	CAPACITOR:SEMI-CONDUCTOR(SR) 0.1UF 25V K	1	\$ 0.34
C058	BCGC514725Z	CAPACITOR:SEMI-CONDUCTOR(SR) 0.0047UF 25V K	1	\$ 0.12
C059	BCEW811096Z	CAPACITOR:ELECTROLYTIC 1UF 50V M C-105	1	\$ 0.50
C060	BCAX114716Z	CAPACITOR:ELECTROLYTIC 470UF 10V M C-124	1	\$ 0.34
C061	BCCG814715Z	CAPACITOR:CERAMIC 470PF 50V K SL	1	\$ 0.13
C062	BCAX814786Z	CAPACITOR:ELECTROLYTIC 0.47UF 50V M C-124	1	\$ 0.17
C063	BCEW812286Z	CAPACITOR:ELECTROLITIC 0.22UF 50V M C-105	1	\$ 0.50
C064	BCAX111016Z	CAPACITOR:ELECTROLYTIC 100UF 10V M C-124	1	\$ 0.21
C065	BCEW812296Z	CAPACITOR:ELECTROLITIC 2.2UF 50V M C-105	1	\$ 0.50
C066	BCGC514735Z	CAPACITOR:SEMI-CONDUCTOR(SR) 0.047UF 25V K	1	\$ 0.21
C067	BCEW311006Z	CAPACITOR:ELECTROLYTIC 10UF 16V M C-105	1	\$ 0.50
C068	BCAX811096Z	CAPACITOR:ELECTROLYTIC 1UF 50V M C-124	1	\$ 0.17
C069	BCEW811096Z	CAPACITOR:ELECTROLYTIC 1UF 50V M C-105	1	\$ 0.50
C070			1	\$ 0.50
C071			1	\$ 0.50
C072	BCGC514735Z	CAPACITOR:SEMI-CONDUCTOR(SR) 0.047UF 25V K	1	\$ 0.21
C073	BCEW311006Z	CAPACITOR:ELECTROLYTIC 10UF 16V M C-105	1	\$ 0.50
C074	BCAX814796Z	CAPACITOR:ELECTROLYTIC 4.7UF 50V M C-124	1	\$ 0.17
C075	BCAX112216Z	CAPACITOR:ELECTROLYTIC 220UF 10V M C-124	1	\$ 0.26
C076	BCCF811091Z	CAPACITOR:CERAMIC 1PF 50V C CK	1	\$ 0.08
C077			1	\$ 0.08
C078	BCAX811096Z	CAPACITOR:ELECTROLYTIC 1UF 50V M C-124	1	\$ 0.17
C079	BCCG814715Z	CAPACITOR:CERAMIC 470PF 50V K SL	1	\$ 0.13
C081	BCKG811030Z	CAPACITOR:CERAMIC 0.01UF 50V Z YF(F)	1	\$ 0.07
C082	BCCR811214Z	CAPACITOR:CERAMIC 120PF 50V J RH	1	\$ 0.11
C083	BCCG813315Z	CAPACITOR:CERAMIC 330PF 50V K SL	1	\$ 0.09
C084	BCCR812204Z	CAPACITOR:CERAMIC 22PF 50V J RH	1	\$ 0.08
C085	BCCR815604Z	CAPACITOR:CERAMIC 56PF 50V J RH	1	\$ 0.09
C086	BCCR811204Z	CAPACITOR:CERAMIC 12PF 50V J RH	1	\$ 0.08
C087	BCAX814796Z	CAPACITOR:ELECTROLYTIC 4.7UF 50V M C-124	1	\$ 0.17
C090	BCAX114706Z	CAPACITOR:ELECTROLYTIC 47UF 10V M C-124	1	\$ 0.17
C091	BCGC512235Z	CAPACITOR:SEMI-CONDUCTOR(SR) 0.022UF 25V K	1	\$ 0.15
C092	BCGC511835Z	CAPACITOR:SEMI CONDUCTOR(SR) 0.018UF 25V K	1	\$ 0.15
C093			1	\$ 0.15
C094	BCGC511035Z	CAPACITOR:SEMI CONDUCTOR(SR) 0.01UF 25V K	1	\$ 0.13
C095	BCAX114716Z	CAPACITOR:ELECTROLYTIC 470UF 10V M C-124	1	\$ 0.34

(SYMBOL)	(PARTS CODE)	(DESCRIPTION)	(QTY)	(LIST PRICE)
C096	BCGC511045Z	CAPACITOR:SEMI-CONDUCTOR(SR) 0.1UF 25V K	1	\$ 0.34
C097	BCAX114706Z	CAPACITOR:ELECTROLYTIC 47UF 10V M C-124	1	\$ 0.17
C098	BCAX812296Z	CAPACITOR:ELECTROLYTIC 2.2UF 50V M C-124	1	\$ 0.17
C099	BCAX814796Z	CAPACITOR:ELECTROLYTIC 4.7UF 50V M C-124	1	\$ 0.17
C100	BCCG814715Z	CAPACITOR:CERAMIC 470PF 50V K SL	1	\$ 0.13
C102	BCGC511045Z	CAPACITOR:SEMI-CONDUCTOR(SR) 0.1UF 25V K	1	\$ 0.34
C103	BCKD811026Z	CAPACITOR:CERAMIC 0.001UF 50V M YD(D)	1	\$ 0.07
C104	BCGC514725Z	CAPACITOR:SEMI-CONDUCTOR(SR) 0.0047UF 25V K	1	\$ 0.12
C105	BCGC511035Z	CAPACITOR:SEMI CONDUCTOR(SR) 0.01UF 25V K	1	\$ 0.13
C110	BCCG813305Z	CAPACITOR:CERAMIC 33PF 50V K SL	1	\$ 0.07
C111	BCEW311006Z	CAPACITOR:ELECTROLYTIC 10UF 16V M C-105	1	\$ 0.50
C112	BCCR811014Z	CAPACITOR:CERAMIC 100PF 50V J RH	1	\$ 0.10
C113	BCCR813304Z	CAPACITOR:CERAMIC 33PF 50V J RH	1	\$ 0.08
C114	BCCR811814Z	CAPACITOR:CERAMIC 180PF 50V J RH	1	\$ 0.14
C115			1	\$ 0.14
C116	BCCR811514Z	CAPACITOR:CERAMIC 150PF 50V J RH	1	\$ 0.14
C117	BCCG813915Z	CAPACITOR:CERAMIC 390PF 50V K SL	1	\$ 0.09
C118	BCKG814720Z	CAPACITOR:CERAMIC 0.0047UF 50V Z YF(F)	1	\$ 0.07
C119	BCEW814786Z	CAPACITOR:ELECTROLYTIC 0.47UF 50V M C-105	1	\$ 0.50
C120	BCCG815615Z	CAPACITOR:CERAMIC 560PF 50V K SL	1	\$ 0.13
C121	BCKD811026Z	CAPACITOR:CERAMIC 0.001UF 50V M YD(D)	1	\$ 0.07
C122	BCKD811036Z	CAPACITOR:CERAMIC 0.01UF 50V M YD(D)	1	\$ 0.14
C123	BCKD811026Z	CAPACITOR:CERAMIC 0.001UF 50V M YD(D)	1	\$ 0.07
C124	BCCG815615Z	CAPACITOR:CERAMIC 560PF 50V K SL	1	\$ 0.13
C125			1	\$ 0.13
C126	BCCG818215Z	CAPACITOR:CERAMIC 820PF 50V K SL	1	\$ 0.19
C127	BCCG813315Z	CAPACITOR:CERAMIC 330PF 50V K SL	1	\$ 0.09
C128	BCEW812286Z	CAPACITOR:ELECTROLITIC 0.22UF 50V M C-105	1	\$ 0.50
C129	BCKD811036Z	CAPACITOR:CERAMIC 0.01UF 50V M YD(D)	1	\$ 0.14
C130	BCAX114706Z	CAPACITOR:ELECTROLYTIC 47UF 10V M C-124	1	\$ 0.17
C131	BCKD811036Z	CAPACITOR:CERAMIC 0.01UF 50V M YD(D)	1	\$ 0.14
C132	BCCR812214Z	CAPACITOR:CERAMIC 220PF 50V J RH	1	\$ 0.19
C133	BCAX111016Z	CAPACITOR:ELECTROLYTIC 100UF 10V M C-124	1	\$ 0.21
C134	BCKB815615Z	CAPACITOR:CERAMIC 560PF 50V K YB(B)	1	\$ 0.07
C135	BCKG811030Z	CAPACITOR:CERAMIC 0.01UF 50V Z YF(F)	1	\$ 0.07
C136	BCKD811026Z	CAPACITOR:CERAMIC 0.001UF 50V M YD(D)	1	\$ 0.07
C138	BCKG814720Z	CAPACITOR:CERAMIC 0.0047UF 50V Z YF(F)	1	\$ 0.07
C139	BCKG811030Z	CAPACITOR:CERAMIC 0.01UF 50V Z YF(F)	1	\$ 0.07
C140	BCGC514735Z	CAPACITOR:SEMI-CONDUCTOR(SR) 0.047UF 25V K	1	\$ 0.21
C141	BCCG814715Z	CAPACITOR:CERAMIC 470PF 50V K SL	1	\$ 0.13
C142	BCKG811030Z	CAPACITOR:CERAMIC 0.01UF 50V Z YF(F)	1	\$ 0.07
C143	BCCU811014Z	CAPACITOR:CERAMIC 100PF 50V J UJ	1	\$ 0.09
C144	BCCU813314Z	CAPACITOR:CERAMIC 330PF 50V J UJ	1	\$ 0.14
C145	BCKG811030Z	CAPACITOR:CERAMIC 0.01UF 50V Z YF(F)	1	\$ 0.07



(SYMBOL)	(PARTS CODE)	(DESCRIPTION)	(QTY)	(LIST PRICE)
C146	BCGC511025Z	CAPACITOR:SEMI-CONDUCTOR(SR) 0.001UF 25V K	1	\$ 0.12
C147	BCGC513335Z	CAPACITOR:SEMI-CONDUCTOR(SR) 0.033UF 25V K	1	\$ 0.19
C148	BCEW812286Z	CAPACITOR:ELECTROLITIC 0.22UF 50V M C-105	1	\$ 0.50
C149	BCEW311006Z	CAPACITOR:ELECTROLYTIC 10UF 16V M C-105	1	\$ 0.50
C150	BCKC514730Z	CAPACITOR:CERAMIC 0.047UF 25V Z ZF	1	\$ 0.15
C151	BCKG811030Z	CAPACITOR:CERAMIC 0.01UF 50V Z YF(F)	1	\$ 0.07
C152	BCAX511026Z	CAPACITOR:ELECTROLYTIC 1000UF 25V M C-124	1	\$ 1.25
C154			1	\$ 1.25
C155	BCAX114716Z	CAPACITOR:ELECTROLYTIC 470UF 10V M C-124	1	\$ 0.34
C201	BCVR314726Z	C:CERAMIC MELF 4700PF 16V M X C-140 TAPE	1	\$ 0.13
C202	BCXE814735Z	C:CERAMIC M/L (3216) TAPE 0.047UF 50V K C(B)	1	\$ 0.34
C203	BCEW311006Z	CAPACITOR:ELECTROLYTIC 10UF 16V M C-105	1	\$ 0.50
C204	BCVL811004Z	C:CERAMIC MELF 10PF 50V J SL C-140 TAPE	1	\$ 0.12
C205	BCXE814735Z	C:CERAMIC M/L (3216) TAPE 0.047UF 50V K C(B)	1	\$ 0.34
C206	BCVR314726Z	C:CERAMIC MELF 4700PF 16V M X C-140 TAPE	1	\$ 0.13
C207	BCVP811025Z	C:CERAMIC MELF 0.001U 50V K B C-140 TAPE	1	\$ 0.12
C208	BCVP818205Z	C:CERAMIC MELF 82PF 50V K B C-140 TAPE	1	\$ 0.12
C209	BCVQ311036Z	C:CERAMIC MELF 0.01UF 16V M Y C-140 TAPE	1	\$ 0.12
C210	BCEW814786Z	CAPACITOR:ELECTROLYTIC 0.47UF 50V M C-105	1	\$ 0.50
C212	BCVP813315Z	C:CERAMIC MELF 330PF 50V K B C-140 TAPE	1	\$ 0.12
C213	BCVP811025Z	C:CERAMIC MELF 0.001U 50V K B C-140 TAPE	1	\$ 0.12
C214	BCEW311006Z	CAPACITOR:ELECTROLYTIC 10UF 16V M C-105	1	\$ 0.50
C215	BCVP813315Z	C:CERAMIC MELF 330PF 50V K B C-140 TAPE	1	\$ 0.12
C216	BCVQ311036Z	C:CERAMIC MELF 0.01UF 16V M Y C-140 TAPE	1	\$ 0.12
C301	BCXE814735Z	C:CERAMIC M/L (3216) TAPE 0.047UF 50V K C(B)	1	\$ 0.34
C302	BCAX312206Z	CAPACITOR:ELECTROLYTIC 22UF 16V M C-124	1	\$ 0.17
C303	BCSB114796Z	CAPACITOR:TANTALUM 4.7UF 10V M C-089	1	\$ 0.56
C304	BCVP811025Z	C:CERAMIC MELF 0.001U 50V K B C-140 TAPE	1	\$ 0.12
C305	BCVQ311036Z	C:CERAMIC MELF 0.01UF 16V M Y C-140 TAPE	1	\$ 0.12
C306	BCEW811096Z	CAPACITOR:ELECTROLYTIC 1UF 50V M C-105	1	\$ 0.50
C307			1	\$ 0.50
C308	BCVP811815Z	C:CERAMIC MELF 180PF 50V K B C-140 TAPE	1	\$ 0.12
C309	BCXE813935Z	C:CERAMIC M/L (3216) TAPE 0.039UF 50V K C(B)	1	\$ 0.34
C310	BCAX814796Z	CAPACITOR:ELECTROLYTIC 4.7UF 50V M C-124	1	\$ 0.17
C311	BCGC513335Z	CAPACITOR:SEMI-CONDUCTOR(SR) 0.033UF 25V K	1	\$ 0.19
C312	BCXD811015Z	C:CERAMIC M/L (3216) TAPE 100PF 50V K CG	1	\$ 0.19
C313	BCVM811504Z	C:CERAMIC MELF 15PF 50V J CH C-140 TAPE	1	\$ 0.13
C314	BCXD812215Z	C:CERAMIC M/L (3216) TAPE 220PF 50V K CG	1	\$ 0.21
C315	BCVM812091Z	C:CERAMIC MELF 2PF 50V C CH C-140 TAPE	1	\$ 0.13
C316	BCXD816805Z	C:CERAMIC M/L (3216) TAPE 68PF 50V K CG	1	\$ 0.19
C317	BCVP811025Z	C:CERAMIC MELF 0.001U 50V K B C-140 TAPE	1	\$ 0.12
C318	BCVQ311036Z	C:CERAMIC MELF 0.01UF 16V M Y C-140 TAPE	1	\$ 0.12
C319	BCGC511035Z	CAPACITOR:SEMI CONDUCTOR(SR) 0.01UF 25V K	1	\$ 0.13
C320	BCAX814796Z	CAPACITOR:ELECTROLYTIC 4.7UF 50V M C-124	1	\$ 0.17

(SYMBOL)	(PARTS CODE)	(DESCRIPTION)	(QTY)	(LIST PRICE)
C321	BCXE814735Z	C:CERAMIC M/L (3216) TAPE	0.047UF 50V K C(B)	1 \$ 0.34
C322	BCVP811025Z	C:CERAMIC MELF	0.001U 50V K B C-140 TAPE	1 \$ 0.12
C323	BCVQ311036Z	C:CERAMIC MELF	0.01UF 16V M Y C-140 TAPE	1 \$ 0.12
C324	BCVL815604Z	C:CERAMIC MELF	56PF 50V J SL C-140 TAPE	1 \$ 0.12
C325	BCVP811025Z	C:CERAMIC MELF	0.001U 50V K B C-140 TAPE	1 \$ 0.12
C326	BCVL819092Z	C:CERAMIC MELF	9PF 50V D SL C-140 TAPE	1 \$ 0.12
C327	BCVL812204Z	C:CERAMIC MELF	22PF 50V J SL C-140 TAPE	1 \$ 0.12
C328	BCVL813904Z	C:CERAMIC MELF	39PF 50V J SL C-140 TAPE	1 \$ 0.12
C329	BCVL816092Z	C:CERAMIC MELF	6PF 50V D SL C-140 TAPE	1 \$ 0.12
C330	BCVP813915Z	C:CERAMIC MELF	390PF 50V K B C-140 TAPE	1 \$ 0.12
C331	BCVL811804Z	C:CERAMIC MELF	18PF 50V J SL C-140 TAPE	1 \$ 0.12
C332	BCVQ311036Z	C:CERAMIC MELF	0.01UF 16V M Y C-140 TAPE	1 \$ 0.12
C333	BCVP811515Z	C:CERAMIC MELF	150PF 50V K B C-140 TAPE	1 \$ 0.12
C334				1 \$ 0.12
C335	BCVP811025Z	C:CERAMIC MELF	0.001U 50V K B C-140 TAPE	1 \$ 0.12
C336				1 \$ 0.12
C337	BCAX811096Z	CAPACITOR:ELECTROLYTIC	1UF 50V M C-124	1 \$ 0.17
C338	BCEW811096Z	CAPACITOR:ELECTROLYTIC	1UF 50V M C-105	1 \$ 0.00
C339	BCXE814735Z	C:CERAMIC M/L (3216) TAPE	0.047UF 50V K C(B)	1 \$ 0.34
C340	BCVL812204Z	C:CERAMIC MELF	22PF 50V J SL C-140 TAPE	1 \$ 0.12
C341	BCAX814796Z	CAPACITOR:ELECTROLYTIC	4.7UF 50V M C-124	1 \$ 0.17
C342				1 \$ 0.17
C345	BCVL811504Z	C:CERAMIC MELF	15PF 50V J SL C-140 TAPE	1 \$ 0.12
C346	BCVL818092Z	C:CERAMIC MELF	8PF 50V D SL C-140 TAPE	1 \$ 0.12
C347	BCVL811504Z	C:CERAMIC MELF	15PF 50V J SL C-140 TAPE	1 \$ 0.12
C348	BCVP811025Z	C:CERAMIC MELF	0.001U 50V K B C-140 TAPE	1 \$ 0.12
C349	BCVP811015Z	C:CERAMIC MELF	100PF 50V K B C-140 TAPE	1 \$ 0.12
C350	BCAX814786Z	CAPACITOR:ELECTROLYTIC	0.47UF 50V M C-124	1 \$ 0.17
C351	BCVP811015Z	C:CERAMIC MELF	100PF 50V K B C-140 TAPE	1 \$ 0.12
C352	BCXE814735Z	C:CERAMIC M/L (3216) TAPE	0.047UF 50V K C(B)	1 \$ 0.34
C353	BCVP811025Z	C:CERAMIC MELF	0.001U 50V K B C-140 TAPE	1 \$ 0.12
C354				1 \$ 0.12
C355	BCXE814735Z	C:CERAMIC M/L (3216) TAPE	0.047UF 50V K C(B)	1 \$ 0.34
C356	BCVP811025Z	C:CERAMIC MELF	0.001U 50V K B C-140 TAPE	1 \$ 0.12
C357				1 \$ 0.12
C358	BCXD811515Z	C:CERAMIC M/L (3216) TAPE	150PF 50V K CG	1 \$ 0.19
C359	BCXD813915Z	C:CERAMIC M/L (3216) TAPE	390PF 50V K CG	1 \$ 0.24
C360	BCVM815092Z	C:CERAMIC MELF	5PF 50V D CH C-140 TAPE	1 \$ 0.13
C361	BCVM811204Z	C:CERAMIC MELF	12PF 50V J CH C-140 TAPE	1 \$ 0.13
C362	BCXD811015Z	C:CERAMIC M/L (3216) TAPE	100PF 50V K CG	1 \$ 0.19
C363	BCVQ311036Z	C:CERAMIC MELF	0.01UF 16V M Y C-140 TAPE	1 \$ 0.12
C364	BCVP811025Z	C:CERAMIC MELF	0.001U 50V K B C-140 TAPE	1 \$ 0.12
C365				1 \$ 0.12
C366	BCXE814735Z	C:CERAMIC M/L (3216) TAPE	0.047UF 50V K C(B)	1 \$ 0.34

(SYMBOL)	(PARTS CODE)	(DESCRIPTION)	(QTY)	(LIST PRICE)
C367	BCVP811025Z	C:CERAMIC MELF 0.001U 50V K B C-140 TAPE	1	; 0.12
C368			1	; 0.12
C369	BCVL813904Z	C:CERAMIC MELF 39PF 50V J SL C-140 TAPE	1	; 0.12
C370	BCVQ311036Z	C:CERAMIC MELF 0.01UF 16V M Y C-140 TAPE	1	\$ 0.12
C371			1	\$ 0.12
C372	BCVP811025Z	C:CERAMIC MELF 0.001U 50V K B C-140 TAPE	1	\$ 0.12
C373	BCVM815092Z	C:CERAMIC MELF 5PF 50V D CH C-140 TAPE	1	\$ 0.13
C374	BCVM811004Z	C:CERAMIC MELF 10PF 50V J CH C-140 TAPE	1	\$ 0.13
C375	BCAX814796Z	CAPACITOR:ELECTROLYTIC 4.7UF 50V M C-124	1	\$ 0.17
C376	BCVQ311036Z	C:CERAMIC MELF 0.01UF 16V M Y C-140 TAPE	1	\$ 0.12
C377	BCVM815092Z	C:CERAMIC MELF 5PF 50V D CH C-140 TAPE	1	\$ 0.13
C378	BCVP811025Z	C:CERAMIC MELF 0.001U 50V K B C-140 TAPE	1	\$ 0.12
C379	BCVL813304Z	C:CERAMIC MELF 33PF 50V J SL C-140 TAPE	1	\$ 0.12
C380	BCAX814796Z	CAPACITOR:ELECTROLYTIC 4.7UF 50V M C-124	1	\$ 0.17
C382	BCXE814725Z	C:CERAMIC M/L (3216) TAPE 0.0047UF 50V K C(B)	1	\$ 0.19
C385	BCAX811096Z	CAPACITOR:ELECTROLYTIC 1UF 50V M C-124	1	\$ 0.17
C386	BCEW811096Z	CAPACITOR:ELECTROLYTIC 1UF 50V M C-105	1	\$ 0.50
C387	BCXE812235Z	C:CERAMIC M/L (3216) TAPE 0.022UF 50V K C(B)	1	\$ 0.26
C388	BCAX812296Z	CAPACITOR:ELECTROLYTIC 2.2UF 50V M C-124	1	\$ 0.17
C391	BCVQ311036Z	C:CERAMIC MELF 0.01UF 16V M Y C-140 TAPE	1	\$ 0.12
C392	BCEW811086Z	CAPACITOR:ELECTROLYTIC 0.1UF 50V M C-105	1	\$ 0.50
C393	BCAX901026Z	CAPACITOR:ELECTROLYTIC 1000UF 6.3V M C-124	1	\$ 0.52
C394	BCAX114716Z	CAPACITOR:ELECTROLYTIC 470UF 10V M C-124	1	\$ 0.34
C395	BCVQ311036Z	C:CERAMIC MELF 0.01UF 16V M Y C-140 TAPE	1	\$ 0.12
C396	BCXP814704Z	C:CERAMIC M/L (3216) TAPE 47PF 50V J UJ	1	\$ 0.15
C397			1	\$ 0.15
C398	BCAX811086Z	CAPACITOR:ELECTROLYTIC 0.1UF 50V M C-124	1	\$ 0.17
C399			1	\$ 0.17
C401	BCXE812235Z	C:CERAMIC M/L (3216) TAPE 0.022UF 50V K C(B)	1	\$ 0.26
C405	BCEW114706Z	CAPACITOR:ELECTROLYTIC 47UF 10V M C-105	1	\$ 0.50
C406	BCXE814735Z	C:CERAMIC M/L (3216) TAPE 0.047UF 50V K C(B)	1	\$ 0.34
C407			1	\$ 0.34
C408	BCVN811804Z	C:CERAMIC MELF 18PF 50V J RH C-140 TAPE	1	\$ 0.13
C409	BCXE812235Z	C:CERAMIC M/L (3216) TAPE 0.022UF 50V K C(B)	1	\$ 0.26
C411	BCXE814735Z	C:CERAMIC M/L (3216) TAPE 0.047UF 50V K C(B)	1	\$ 0.34
C412	BCXE812235Z	C:CERAMIC M/L (3216) TAPE 0.022UF 50V K C(B)	1	\$ 0.26
C444	BCVM811004Z	C:CERAMIC MELF 10PF 50V J CH C-140 TAPE	1	\$ 0.13
C445			1	\$ 0.13
C446	BCXE814735Z	C:CERAMIC M/L (3216) TAPE 0.047UF 50V K C(B)	1	\$ 0.34
C501	BCAX814796Z	CAPACITOR:ELECTROLYTIC 4.7UF 50V M C-124	1	\$ 0.17
C502	BCEW813396Z	CAPACITOR:ELECTROLYTIC 3.3UF 50V M C-105	1	\$ 0.50
C503	BCAX901016Z	CAPACITOR:ELECTROLYTIC 100UF 6.3V M C-124	1	\$ 2.06
C551	BCKG811030Z	CAPACITOR:CERAMIC 0.01UF 50V Z YF(F)	1	\$ 0.07
C552	BCKG811030Z	CAPACITOR:CERAMIC 0.01UF 50V Z YF(F)	1	\$ 0.07

(SYMBOL)	(PARTS CODE)	(DESCRIPTION)	(QTY)	(LIST PRICE)
C801	BCGC512235Z	CAPACITOR:SEMI-CONDUCTOR(SR) 0.022UF 25V K	1	\$ 0.15
D001	BDAY0090001	DIODE MC-301	1	\$ 1.06
D002			1	\$ 1.06
D003	BDAY0497001	DIODE 1SS133 TAPING	1	\$ 0.10
D004			1	\$ 0.10
D005			1	\$ 0.10
D006			1	\$ 0.10
D007	BDAY0492003	DIODE:ZENER AS TS 26 + HZ3B3 TAPING	1	\$ 0.19
D008	BDAY0497001	DIODE 1SS133 TAPING	1	\$ 0.10
D009			1	\$ 0.10
D010			1	\$ 0.10
D011	BDAY0001001	DIODE 1N60 AM	1	\$ 0.33
D012			1	\$ 0.33
D013	BDAY0497001	DIODE 1SS133 TAPING	1	\$ 0.10
D014			1	\$ 0.10
D016	BDAY0001001	DIODE 1N60 AM	1	\$ 0.33
D017			1	\$ 0.33
D018	BDAY0497001	DIODE 1SS133 TAPING	1	\$ 0.10
D019			1	\$ 0.10
D020			1	\$ 0.10
D021			1	\$ 0.10
D022			1	\$ 0.10
D025			1	\$ 0.10
D026			1	\$ 0.10
D027			1	\$ 0.10
D028			1	\$ 0.10
D029			1	\$ 0.10
D030	BDFY0004003	VARISTOR KB-362	1	\$ 1.10
D031	BDAY0497001	DIODE 1SS133 TAPING	1	\$ 0.10
D032			1	\$ 0.10
D033			1	\$ 0.10
D034	BDAY0492002	DIODE:ZENER AS TS 26 + HZ5C1 TAPING	1	\$ 0.19
D035	BDAY0497001	DIODE 1SS133 TAPING	1	\$ 0.10
D036			1	\$ 0.10
D037			1	\$ 0.10
D038			1	\$ 0.10
D039			1	\$ 0.10
D040			1	\$ 0.10
D041			1	\$ 0.10
D042			1	\$ 0.10
D043			1	\$ 0.10
D044			1	\$ 0.10
D045			1	\$ 0.10
D046			1	\$ 0.10

(SYMBOL)	(PARTS CODE)	(DESCRIPTION)	(QTY)	(LIST PRICE)
D047	BDAY0497001	DIODE ISS133 TAPING	1	\$ 0.10
D048			1	\$ 0.10
D049			1	\$ 0.10
D051			1	\$ 0.10
D052			1	\$ 0.10
D053			1	\$ 0.10
D054			1	\$ 0.10
D055			1	\$ 0.10
D056			1	\$ 0.10
D057			1	\$ 0.10
D058			1	\$ 0.10
D059			1	\$ 0.10
D061			1	\$ 0.10
D062			1	\$ 0.10
D063			1	\$ 0.10
D064			1	\$ 0.10
D065			1	\$ 0.10
D066			1	\$ 0.10
D067			1	\$ 0.10
D068			1	\$ 0.10
D069			1	\$ 0.10
D071			1	\$ 0.10
D072			1	\$ 0.10
D073	BDAY0245001	DIODE 1N5401	1	\$ 0.65
D074	BDAY0497001	DIODE ISS133 TAPING	1	\$ 0.10
D075	BDAY0529001	DIODE AX TS 26 + S5566G TAPING	1	\$ 0.21
D076	BDAY0497001	DIODE ISS133 TAPING	1	\$ 0.10
D077	BDFY0058001	VARISTOR MV-1YH-S	1	\$ 1.66
D078			1	\$ 1.66
D201	BDAY0001001	DIODE 1N60 AM	1	\$ 0.33
D202			1	\$ 0.33
D203	BDAY0433001	DIODE RLS4148 TE11	1	\$ 0.21
D301	BDAY0465001	DIODE 1SV200-12 TRC	1	\$ 0.96
D303			1	\$ 0.96
D304			1	\$ 0.96
D305			1	\$ 0.96
D306			1	\$ 0.96
D307			1	\$ 0.96
D308	BDAY0281001	DIODE KV1330	1	\$ 3.77
D311	BDAY0433001	DIODE RLS4148 TE11	1	\$ 0.21
D312	BDAY0529001	DIODE AX TS 26 + S5566G TAPING	1	\$ 0.21
D313			1	\$ 0.21
D315	BDAY0433001	DIODE RLS4148 TE11	1	\$ 0.21
D316	BDAY0529001	DIODE AX TS 26 + S5566G TAPING	1	\$ 0.21

(SYMBOL)	(PARTS CODE)	(DESCRIPTION)	(QTY)	(LIST PRICE)
D318	BDAY0433001	DIODE RLS4148 TE11	1	\$ 0.21
D319			1	\$ 0.21
D321			1	\$ 0.21
D322			1	\$ 0.21
D323			1	\$ 0.21
D324			1	\$ 0.21
D551	BDAY0001001	DIODE 1N60 AM	1	\$ 0.33
D552			1	\$ 0.33
J301	BJKY0276003	JACK JK-276 5267-03A	1	\$ 0.21
J302	BJKY0276004	JACK JK-276 5267-04A	1	\$ 0.24
J303	BJKY0276005	JACK JK-276 5267-05A	1	\$ 0.28
J304	BJKY0276009	JACK JK-276 5267-09A	1	\$ 0.57
J305			1	\$ 0.57
J306	BJKY0276005	JACK JK-276 5267-05A	1	\$ 0.28
J307	BJKY0276003	JACK JK-276 5267-03A	1	\$ 0.21
J308			1	\$ 0.21
J311	BJKY0326001	JACK JK-326	1	\$ 1.29
J312			1	\$ 1.29
J511	BJKY0426001	JACK JK-426 M-RM-L	1	\$ 2.11
J651	BJKY0191001	JACK JK-191 N-79003	1	\$ 4.86
L001	BLBY0623001	COIL LB-623 199CN-15100X	1	\$ 1.12
L002	BLBY0341001	COIL LB-341 199CC-13499A	1	\$ 1.38
L003			1	\$ 1.38
L004			1	\$ 1.38
L005	BLBY0438001	COIL LB-438 199CC-14250N	1	\$ 1.38
L006	BLBY0342001	COIL LB-342 199CC-13524R	1	\$ 1.38
L008	BLBY0137001	COIL LB-137 113CN-6344Z	1	\$ 1.08
L009			1	\$ 1.08
L010	BLBY0209001	COIL LB-209 113CN-6485Z	1	\$ 1.08
L011	BLZY0016471	INDUCTOR:MOLDED LZ-016 SL0609-471K 470UH	1	\$ 0.46
L012			1	\$ 0.46
L013			1	\$ 0.46
L014	BLEY0376001	COIL LE-376 L-3E6-5(R22-E528)	1	\$ 0.50
L015	BLEY0402001	COIL LE-402 L-1E6-S(R22-E720X)	1	\$ 0.50
L016	BLEY0375001	COIL LE-375 D6 7 1/2T	1	\$ 0.50
L017	BLDY0230001	COIL LD-230	1	\$ 3.89
L018			1	\$ 3.89
L019	BLDY0221001	COIL LD-221	1	\$ 1.62
L020	BLDY0087001	COIL LD-087 BF04-3*5*1	1	\$ 0.08
L021	BLDY0229001	COIL LD-229	1	\$ 3.07
L022	BLDY0228001	COIL LD-228 AT0502T-3012	1	\$ 0.70
L023	BLDY0087001	COIL LD-087 BF04-3*5*1	1	\$ 0.08
L024	BLEY0201001	COIL LE-201 D2.4 3 1/2T	1	\$ 0.17
L025	BLBY0342001	COIL LB-342 199CC-13524R	1	\$ 1.38

(SYMBOL)	(PARTS CODE)	(DESCRIPTION)	(QTY)	(LIST PRICE)
L026	BLZY0051101	INDUCTOR:MOLDED LZ-051 SP0305-101K 100UH	1	\$ 0.34
L203	BLFY0125001	COIL LF-125 332PC-2673Y	1	\$ 2.51
L301	BLEY0246001	COIL LE-246 D0.6 3 1/2T	1	\$ 0.15
L302	BLBY0684001	COIL LB-684 L-2M7-T1(R12H807X)	1	\$ 1.13
L303	BLFY0131001	COIL LF-131 A294SN-1373AQ	1	\$ 1.87
L304			1	\$ 1.87
L307	BLZY0051479	INDUCTOR:MOLDED LZ-051 SP0305-4R7K 4.7UH	1	\$ 0.34
L308	BLZY0051100	INDUCTOR:MOLDED LZ-051 SP0305-100K 10UH	1	\$ 0.34
L310	BLFY0159001	COIL LF-159 341LC-1286N	1	\$ 2.51
L312	BLZY0051279	INDUCTOR:MOLDED LZ-051 SP0305-2R7M 2.7UH	1	\$ 0.34
L313	BLFY0130001	COIL LF-130 A294SN-1372AQ	1	\$ 1.87
L314	BLFY0131001	COIL LF-131 A294SN-1373AQ	1	\$ 1.87
L315	BLFY0172001	COIL LF-172 A294SN-15291B	1	\$ 1.87
L316	BLZY0044682	INDUCTOR:MOLDED LZ-044 262LY-682K 6.8MH	1	\$ 0.93
L317	BLBY0686001	COIL LB-686 L-2M7-T1(R12H806X)	1	\$ 1.13
L318	BLFY0133001	COIL LF-133 A294SNS-14411B	1	\$ 1.87
L319	BLFY0158001	COIL LF-158 341LC-1282FQZ	1	\$ 2.51
L401	BLFY0072001	COIL LF-072 5PLC-1055Z	1	\$ 2.09
L651	BLZY0051471	INDUCTOR:MOLDED LZ-051 SP0305-471K 470UH	1	\$ 0.34
L652			1	\$ 0.34
L653			1	\$ 0.34
Q001	BDBC1674111	TRANSISTOR DB-295 2SC1674-L	1	\$ 0.21
Q002	BDCB0192533	FIELD EFFECT TRANSISTOR DC-019 2SK192A-BL	1	\$ 0.64
Q003	BDBC1674111	TRANSISTOR DB-295 2SC1674-L	1	\$ 0.21
Q004	BDBC0945507	TRANSISTOR DB-224 2SC945A-Q	1	\$ 0.17
Q005	BDBC1675111	TRANSISTOR DB-259 2SC1675-L	1	\$ 0.19
Q006			1	\$ 0.19
Q007	BDBC1730111	TRANSISTOR DB-269 2SC1730-L	1	\$ 0.49
Q008	BDBC0945507	TRANSISTOR DB-224 2SC945A-Q	1	\$ 0.17
Q009			1	\$ 0.17
Q010			1	\$ 0.17
Q011			1	\$ 0.17
Q012	BDBC1675111	TRANSISTOR DB-259 2SC1675-L	1	\$ 0.19
Q013	BDBC0945507	TRANSISTOR DB-224 2SC945A-Q	1	\$ 0.17
Q014			1	\$ 0.17
Q015			1	\$ 0.17
Q016			1	\$ 0.17
Q017	BDBA0733541	TRANSISTOR DB-027 2SA733A-PB	1	\$ 0.19
Q018	BDBC0945507	TRANSISTOR DB-224 2SC945A-Q	1	\$ 0.17
Q019			1	\$ 0.17
Q020	BDBA0733541	TRANSISTOR DB-027 2SA733A-PB	1	\$ 0.19
Q021	BDBC0945507	TRANSISTOR DB-224 2SC945A-Q	1	\$ 0.17
Q022	BDBC1675111	TRANSISTOR DB-259 2SC1675-L	1	\$ 0.19
Q023	BDBC0945507	TRANSISTOR DB-224 2SC945A-Q	1	\$ 0.17

(SYMBOL)	(PARTS CODE)	(DESCRIPTION)	(QTY)	(LIST PRICE)
Q024	BDBA0733541	TRANSISTOR DB-027 2SA733A-PB	1	\$ 0.19
Q025			1	\$ 0.19
Q026	BDBC0945507	TRANSISTOR DB-224 2SC945A-Q	1	\$ 0.17
Q027	BDBB0525104	TRANSISTOR DB-106 2SB525-D UNI	1	\$ 0.71
Q028	BDBC3242536	TRANSISTOR DB-383 2SC3242A-E	1	\$ 0.81
Q029	BDBC0945507	TRANSISTOR DB-224 2SC945A-Q	1	\$ 0.17
Q030			1	\$ 0.17
Q031	BDBC2086104	TRANSISTOR DB-228 2SC2086-D	1	\$ 2.19
Q032	BDBZ0529001	TRANSISTOR DB-529 MRF-477	1	\$ 52.64
Q033	BDBC2166103	TRANSISTOR DB-331 2SC2166-C	1	\$ 5.02
Q034	BDBC1973315	TRANSISTOR DB-272 2SC1973-SSB	1	\$ 3.25
Q201	BDBC2814641	TRANSISTOR DB-744 2SC2814-F5 TA	1	\$ 0.40
Q202			1	\$ 0.40
Q203			1	\$ 0.40
Q204	BDBC2812642	TRANSISTOR DB-743 2SC2812-L5 TA	1	\$ 0.32
Q205			1	\$ 0.32
Q206	BDBA1179643	TRANSISTOR DB-048 2SA1179-M6 TA	1	\$ 0.36
Q207	BDBC2814641	TRANSISTOR DB-744 2SC2814-F5 TA	1	\$ 0.40
Q301	BDBC3121000	TRANSISTOR DB-724 2SC3121 TE85L	1	\$ 0.74
Q302			1	\$ 0.74
Q303			1	\$ 0.74
Q304			1	\$ 0.74
Q305			1	\$ 0.74
Q306			1	\$ 0.74
Q308	BDBC2814641	TRANSISTOR DB-744 2SC2814-F5 TA	1	\$ 0.40
Q311	BDBA1179643	TRANSISTOR DB-048 2SA1179-M6 TA	1	\$ 0.36
Q312			1	\$ 0.36
Q313			1	\$ 0.36
Q314			1	\$ 0.36
Q315	BDBC2712124	TRANSISTOR DB-381 2SC2712-Y TE85L	1	\$ 0.26
Q316	BDBA1179643	TRANSISTOR DB-048 2SA1179-M6 TA	1	\$ 0.36
Q317	BDBC2712124	TRANSISTOR DB-381 2SC2712-Y TE85L	1	\$ 0.26
R001	BRPB185624Z	RESISTOR:CARBON AXIAL LEAD 5.6K 1/8W J	1	\$ 0.50
R002	BRPA618224Z	RESISTOR:CARBON AX TS 26 8.2K 1/6W J TAPING	1	\$ 0.04
R003	BRPA611024Z	RESISTOR:CARBON AX TS 26 1K 1/6W J TAPING	1	\$ 0.04
R004	BRPA611524Z	RESISTOR:CARBON AX TS 26 1.5K 1/6W J TAPING	1	\$ 0.04
R006	BRPA611014Z	RESISTOR:CARBON AX TS 26 100 1/6W J TAPING	1	\$ 0.04
R007	BRPB184724Z	RESISTOR:CARBON AXIAL LEAD 4.7K 1/8W J	1	\$ 0.50
R008	BRPA611014Z	RESISTOR:CARBON AX TS 26 100 1/6W J TAPING	1	\$ 0.04
R009	BRPA613324Z	RESISTOR:CARBON AX TS 26 3.3K 1/6W J TAPING	1	\$ 0.04
R010	BRPA613314Z	RESISTOR:CARBON AX TS 26 330 1/6W J TAPING	1	\$ 0.04
R011	BRPA611034Z	RESISTOR:CARBON AX TS 26 10K 1/6W J TAPING	1	\$ 0.04
R012	BRPA618214Z	RESISTOR:CARBON AX TS 26 820 1/6W J TAPING	1	\$ 0.04
R013	BRPA616814Z	RESISTOR:CARBON AX TS 26 680 1/6W J TAPING	1	\$ 0.04



(SYMBOL)	(PARTS CODE)	(DESCRIPTION)	(QTY)	(LIST PRICE)
R014	BRPA618224Z	RESISTOR:CARBON AX TS 26 8.2K 1/6W J TAPING	1	\$ 0.04
R015	BRPA612234Z	RESISTOR:CARBON AX TS 26 22K 1/6W J TAPING	1	\$ 0.04
R018	BRPA615624Z	RESISTOR:CARBON AX TS 26 5.6K 1/6W J TAPING	1	\$ 0.04
R019	BRPA611024Z	RESISTOR:CARBON AX TS 26 1K 1/6W J TAPING	1	\$ 0.04
R020	BRPA615624Z	RESISTOR:CARBON AX TS 26 5.6K 1/6W J TAPING	1	\$ 0.04
R021	BRPA615614Z	RESISTOR:CARBON AX TS 26 560 1/6W J TAPING	1	\$ 0.04
R022	BRPA611024Z	RESISTOR:CARBON AX TS 26 1K 1/6W J TAPING	1	\$ 0.04
R023	BRPA616814Z	RESISTOR:CARBON AX TS 26 680 1/6W J TAPING	1	\$ 0.04
R024	BRPA611024Z	RESISTOR:CARBON AX TS 26 1K 1/6W J TAPING	1	\$ 0.04
R025	BRPA611014Z	RESISTOR:CARBON AX TS 26 100 1/6W J TAPING	1	\$ 0.04
R026	BRPA614734Z	RESISTOR:CARBON AX TS 26 47K 1/6W J TAPING	1	\$ 0.04
R027	BRPA611014Z	RESISTOR:CARBON AX TS 26 100 1/6W J TAPING	1	\$ 0.04
R028	BRPA612714Z	RESISTOR:CARBON AX TS 26 270 1/6W J TAPING	1	\$ 0.04
R029	BRPA611514Z	RESISTOR:CARBON AX TS 26 150 1/6W J TAPING	1	\$ 0.04
R030	BRPA611034Z	RESISTOR:CARBON AX TS 26 10K 1/6W J TAPING	1	\$ 0.04
R031	BRPA616804Z	RESISTOR:CARBON AX TS 26 68 1/6W J TAPING	1	\$ 0.04
R032	BRPA612224Z	RESISTOR:CARBON AX TS 26 2.2K 1/6W J TAPING	1	\$ 0.04
R033	BRPA613324Z	RESISTOR:CARBON AX TS 26 3.3K 1/6W J TAPING	1	\$ 0.04
R034	BRPA611524Z	RESISTOR:CARBON AX TS 26 1.5K 1/6W J TAPING	1	\$ 0.04
R035	BRPA611044Z	RESISTOR:CARBON AX TS 26 100K 1/6W J TAPING	1	\$ 0.04
R036			1	\$ 0.04
R037			1	\$ 0.04
R038			1	\$ 0.04
R040	BRPA614734Z	RESISTOR:CARBON AX TS 26 47K 1/6W J TAPING	1	\$ 0.04
R041	BRPA611544Z	RESISTOR:CARBON AX TS 26 150K 1/6W J TAPING	1	\$ 0.04
R042	BRPA615644Z	RESISTOR:CARBON AX TS 26 560K 1/6W J TAPING	1	\$ 0.04
R043	BRPA611044Z	RESISTOR:CARBON AX TS 26 100K 1/6W J TAPING	1	\$ 0.04
R044	BRPA612234Z	RESISTOR:CARBON AX TS 26 22K 1/6W J TAPING	1	\$ 0.04
R045	BRPA611034Z	RESISTOR:CARBON AX TS 26 10K 1/6W J TAPING	1	\$ 0.04
R046	BRPB182234Z	RESISTOR:CARBON AXIAL LEAD 22K 1/8W J	1	\$ 0.50
R047	BRPA612254Z	RESISTOR:CARBON AX TS 26 2.2M 1/6W J TAPING	1	\$ 0.04
R048	BRPA611044Z	RESISTOR:CARBON AX TS 26 100K 1/6W J TAPING	1	\$ 0.04
R049	BRPA611024Z	RESISTOR:CARBON AX TS 26 1K 1/6W J TAPING	1	\$ 0.04
R050	BRPB183944Z	RESISTOR:CARBON AXIAL LEAD 390K 1/8W J	1	\$ 0.50
R051	BRPA611524Z	RESISTOR:CARBON AX TS 26 1.5K 1/6W J TAPING	1	\$ 0.04
R052	BRPA611034Z	RESISTOR:CARBON AX TS 26 10K 1/6W J TAPING	1	\$ 0.04
R053			1	\$ 0.04
R054	BRPA611044Z	RESISTOR:CARBON AX TS 26 100K 1/6W J TAPING	1	\$ 0.04
R055			1	\$ 0.04
R056	BRPA616834Z	RESISTOR:CARBON AX TS 26 68K 1/6W J TAPING	1	\$ 0.04
R057	BRPA611054Z	RESISTOR:CARBON AX TS 26 1M 1/6W J TAPING	1	\$ 0.04
R058	BRPA616834Z	RESISTOR:CARBON AX TS 26 68K 1/6W J TAPING	1	\$ 0.04
R059	BRPA613344Z	RESISTOR:CARBON AX TS 26 330K 1/6W J TAPING	1	\$ 0.04
R060	BRPA615614Z	RESISTOR:CARBON AX TS 26 560 1/6W J TAPING	1	\$ 0.04

(SYMBOL)	(PARTS CODE)	(DESCRIPTION)	(QTY)	(LIST PRICE)
R061	BRPB183324Z	RESISTOR:CARBON AXIAL LEAD 3.3K 1/8W J	1	\$ 0.50
R062	BRPA611034Z	RESISTOR:CARBON AX TS 26 10K 1/6W J TAPING	1	\$ 0.04
R063	BRPA613934Z	RESISTOR:CARBON AX TS 26 39K 1/6W J TAPING	1	\$ 0.04
R064	BRPA613324Z	RESISTOR:CARBON AX TS 26 3.3K 1/6W J TAPING	1	\$ 0.04
R065	BRPA611024Z	RESISTOR:CARBON AX TS 26 1K 1/6W J TAPING	1	\$ 0.04
R066	BRPA611034Z	RESISTOR:CARBON AX TS 26 10K 1/6W J TAPING	1	\$ 0.04
R067	BRPA611024Z	RESISTOR:CARBON AX TS 26 1K 1/6W J TAPING	1	\$ 0.04
R068	BRPA613324Z	RESISTOR:CARBON AX TS 26 3.3K 1/6W J TAPING	1	\$ 0.04
R069	BRPA611024Z	RESISTOR:CARBON AX TS 26 1K 1/6W J TAPING	1	\$ 0.04
R070	BRPA613924Z	RESISTOR:CARBON AX TS 26 3.9K 1/6W J TAPING	1	\$ 0.04
R071	BRPA612224Z	RESISTOR:CARBON AX TS 26 2.2K 1/6W J TAPING	1	\$ 0.04
R072	BRPA611024Z	RESISTOR:CARBON AX TS 26 1K 1/6W J TAPING	1	\$ 0.04
R073	BRPA613314Z	RESISTOR:CARBON AX TS 26 330 1/6W J TAPING	1	\$ 0.04
R074	BRPA611514Z	RESISTOR:CARBON AX TS 26 150 1/6W J TAPING	1	\$ 0.04
R075	BRPA611014Z	RESISTOR:CARBON AX TS 26 100 1/6W J TAPING	1	\$ 0.04
R076	BRPA611544Z	RESISTOR:CARBON AX TS 26 150K 1/6W J TAPING	1	\$ 0.04
R077	BRPA612744Z	RESISTOR:CARBON AX TS 26 270K 1/6W J TAPING	1	\$ 0.04
R078	BRPA611554Z	RESISTOR:CARBON AX TS 26 1.5M 1/6W J TAPING	1	\$ 0.04
R079	BRPA613924Z	RESISTOR:CARBON AX TS 26 3.9K 1/6W J TAPING	1	\$ 0.04
R080	BRPA611044Z	RESISTOR:CARBON AX TS 26 100K 1/6W J TAPING	1	\$ 0.04
R081	BRPA618234Z	RESISTOR:CARBON AX TS 26 82K 1/6W J TAPING	1	\$ 0.04
R082	BRPA616834Z	RESISTOR:CARBON AX TS 26 68K 1/6W J TAPING	1	\$ 0.04
R083	BRPA612734Z	RESISTOR:CARBON AX TS 26 27K 1/6W J TAPING	1	\$ 0.04
R084	BRPA611034Z	RESISTOR:CARBON AX TS 26 10K 1/6W J TAPING	1	\$ 0.04
R085	BRPA614744Z	RESISTOR:CARBON AX TS 26 470K 1/6W J TAPING	1	\$ 0.04
R086	BRPA611014Z	RESISTOR:CARBON AX TS 26 100 1/6W J TAPING	1	\$ 0.04
R087	BRPA611034Z	RESISTOR:CARBON AX TS 26 10K 1/6W J TAPING	1	\$ 0.04
R088	BRPA612734Z	RESISTOR:CARBON AX TS 26 27K 1/6W J TAPING	1	\$ 0.04
R089	BRPA614734Z	RESISTOR:CARBON AX TS 26 47K 1/6W J TAPING	1	\$ 0.04
R090	BRPA611034Z	RESISTOR:CARBON AX TS 26 10K 1/6W J TAPING	1	\$ 0.04
R091	BRPA614734Z	RESISTOR:CARBON AX TS 26 47K 1/6W J TAPING	1	\$ 0.04
R092	BRPA615604Z	RESISTOR:CARBON AX TS 26 56 1/6W J TAPING	1	\$ 0.04
R093	BRPA612224Z	RESISTOR:CARBON AX TS 26 2.2K 1/6W J TAPING	1	\$ 0.04
R094	BRPA614724Z	RESISTOR:CARBON AX TS 26 4.7K 1/6W J TAPING	1	\$ 0.04
R095			1	\$ 0.04
R097	BRPA613324Z	RESISTOR:CARBON AX TS 26 3.3K 1/6W J TAPING	1	\$ 0.04
R099	BRPA615614Z	RESISTOR:CARBON AX TS 26 560 1/6W J TAPING	1	\$ 0.04
R100	BRPB183324Z	RESISTOR:CARBON AXIAL LEAD 3.3K 1/8W J	1	\$ 0.50
R102	BRPA611524Z	RESISTOR:CARBON AX TS 26 1.5K 1/6W J TAPING	1	\$ 0.04
R103	BRPA611014Z	RESISTOR:CARBON AX TS 26 100 1/6W J TAPING	1	\$ 0.04
R104	BRPA614744Z	RESISTOR:CARBON AX TS 26 470K 1/6W J TAPING	1	\$ 0.04
R105	BRPA614714Z	RESISTOR:CARBON AX TS 26 470 1/6W J TAPING	1	\$ 0.04
R106	BRPA615624Z	RESISTOR:CARBON AX TS 26 5.6K 1/6W J TAPING	1	\$ 0.04
R107	BRPA612234Z	RESISTOR:CARBON AX TS 26 22K 1/6W J TAPING	1	\$ 0.04

(SYMBOL)	(PARTS CODE)	(DESCRIPTION)	(QTY)	(LIST PRICE)
R108	BRPA614714Z	RESISTOR:CARBON AX TS 26 470 1/6W J TAPING	1	\$ 0.04
R109	BRPA611524Z	RESISTOR:CARBON AX TS 26 1.5K 1/6W J TAPING	1	\$ 0.04
R110	BRPA612224Z	RESISTOR:CARBON AX TS 26 2.2K 1/6W J TAPING	1	\$ 0.04
R111			1	\$ 0.04
R112	BRPA611024Z	RESISTOR:CARBON AX TS 26 1K 1/6W J TAPING	1	\$ 0.04
R113	BRPA611034Z	RESISTOR:CARBON AX TS 26 10K 1/6W J TAPING	1	\$ 0.04
R114	BRPA612224Z	RESISTOR:CARBON AX TS 26 2.2K 1/6W J TAPING	1	\$ 0.04
R115	BRPA611014Z	RESISTOR:CARBON AX TS 26 100 1/6W J TAPING	1	\$ 0.04
R116	BRPA614714Z	RESISTOR:CARBON AX TS 26 470 1/6W J TAPING	1	\$ 0.04
R117	BRPB181834Z	RESISTOR:CARBON AXIAL LEAD 18K 1/8W J	1	\$ 0.03
R118	BRPA611524Z	RESISTOR:CARBON AX TS 26 1.5K 1/6W J TAPING	1	\$ 0.04
R119	BRPA615624Z	RESISTOR:CARBON AX TS 26 5.6K 1/6W J TAPING	1	\$ 0.04
R120	BRPA611524Z	RESISTOR:CARBON AX TS 26 1.5K 1/6W J TAPING	1	\$ 0.04
R121	BRPA613324Z	RESISTOR:CARBON AX TS 26 3.3K 1/6W J TAPING	1	\$ 0.04
R122			1	\$ 0.04
R123	BRPA618214Z	RESISTOR:CARBON AX TS 26 820 1/6W J TAPING	1	\$ 0.04
R124	BRPB181024Z	RESISTOR:CARBON AXIAL LEAD 1K 1/8W J	1	\$ 0.50
R125	BRPA611034Z	RESISTOR:CARBON AX TS 26 10K 1/6W J TAPING	1	\$ 0.04
R126	BRPA614734Z	RESISTOR:CARBON AX TS 26 47K 1/6W J TAPING	1	\$ 0.04
R127			1	\$ 0.04
R128	BRPA614724Z	RESISTOR:CARBON AX TS 26 4.7K 1/6W J TAPING	1	\$ 0.04
R129	BRPA614734Z	RESISTOR:CARBON AX TS 26 47K 1/6W J TAPING	1	\$ 0.04
R130	BRPA612224Z	RESISTOR:CARBON AX TS 26 2.2K 1/6W J TAPING	1	\$ 0.04
R131	BRPA614734Z	RESISTOR:CARBON AX TS 26 47K 1/6W J TAPING	1	\$ 0.04
R132	BRPA611514Z	RESISTOR:CARBON AX TS 26 150 1/6W J TAPING	1	\$ 0.04
R133	BRPA614724Z	RESISTOR:CARBON AX TS 26 4.7K 1/6W J TAPING	1	\$ 0.04
R134			1	\$ 0.04
R135	BRPA612244Z	RESISTOR:CARBON AX TS 26 220K 1/6W J TAPING	1	\$ 0.04
R136	BRPA614734Z	RESISTOR:CARBON AX TS 26 47K 1/6W J TAPING	1	\$ 0.04
R137	BRPA613334Z	RESISTOR:CARBON AX TS 26 33K 1/6W J TAPING	1	\$ 0.04
R138	BRPA614724Z	RESISTOR:CARBON AX TS 26 4.7K 1/6W J TAPING	1	\$ 0.04
R139	BRPA618224Z	RESISTOR:CARBON AX TS 26 8.2K 1/6W J TAPING	1	\$ 0.04
R140	BRPA615614Z	RESISTOR:CARBON AX TS 26 560 1/6W J TAPING	1	\$ 0.04
R142	BRPB181834Z	RESISTOR:CARBON AXIAL LEAD 18K 1/8W J	1	\$ 0.03
R143	BRPA611094Z	RESISTOR:CARBON AX TS 26 1 1/6W J TAPING	1	\$ 0.04
R144	BRPA611044Z	RESISTOR:CARBON AX TS 26 100K 1/6W J TAPING	1	\$ 0.04
R145	BRPA611814Z	RESISTOR:CARBON AX TS 26 180 1/6W J TAPING	1	\$ 0.04
R146	BRPB182734Z	RESISTOR:CARBON AXIAL LEAD 27K 1/8W J	1	\$ 0.50
R147	BRPA612234Z	RESISTOR:CARBON AX TS 26 22K 1/6W J TAPING	1	\$ 0.04
R150	BRPA611234Z	RESISTOR:CARBON AX TS 26 12K 1/6W J TAPING	1	\$ 0.04
R153	BRPA613304Z	RESISTOR:CARBON AX TS 26 33 1/6W J TAPING	1	\$ 0.04
R155	BRPA611034Z	RESISTOR:CARBON AX TS 26 10K 1/6W J TAPING	1	\$ 0.04
R156	BRPB183324Z	RESISTOR:CARBON AXIAL LEAD 3.3K 1/8W J	1	\$ 0.50
R157	BRPA611004Z	RESISTOR:CARBON AX TS 26 10 1/6W J TAPING	1	\$ 0.04

(SYMBOL)	(PARTS CODE)	(DESCRIPTION)	(QTY)	(LIST PRICE)
R158	BRPB128204Z	RESISTOR:CARBON AXIAL LEAD 82 1/2W J	1	\$ 0.07
R159	BRPA613314Z	RESISTOR:CARBON AX TS 26 330 1/6W J TAPING	1	\$ 0.04
R160	BRPA611024Z	RESISTOR:CARBON AX TS 26 1K 1/6W J TAPING	1	\$ 0.04
R161	BRPA614704Z	RESISTOR:CARBON AX TS 26 47 1/6W J TAPING	1	\$ 0.04
R162	BRPA611014Z	RESISTOR:CARBON AX TS 26 100 1/6W J TAPING	1	\$ 0.04
R163	BRPA611204Z	RESISTOR:CARBON AX TS 26 12 1/6W J TAPING	1	\$ 0.04
R164	BRPA611514Z	RESISTOR:CARBON AX TS 26 150 1/6W J TAPING	1	\$ 0.04
R165	BRPA613314Z	RESISTOR:CARBON AX TS 26 330 1/6W J TAPING	1	\$ 0.04
R166	BRPA611524Z	RESISTOR:CARBON AX TS 26 1.5K 1/6W J TAPING	1	\$ 0.04
R167	BRPA611014Z	RESISTOR:CARBON AX TS 26 100 1/6W J TAPING	1	\$ 0.04
R168	BRPA611024Z	RESISTOR:CARBON AX TS 26 1K 1/6W J TAPING	1	\$ 0.04
R169	BRPA611524Z	RESISTOR:CARBON AX TS 26 1.5K 1/6W J TAPING	1	\$ 0.04
R170	BRPA611024Z	RESISTOR:CARBON AX TS 26 1K 1/6W J TAPING	1	\$ 0.04
R171	BRPA611014Z	RESISTOR:CARBON AX TS 26 100 1/6W J TAPING	1	\$ 0.04
R172			1	\$ 0.04
R173	BRPA613324Z	RESISTOR:CARBON AX TS 26 3.3K 1/6W J TAPING	1	\$ 0.04
R174	BRPA615634Z	RESISTOR:CARBON AX TS 26 56K 1/6W J TAPING	1	\$ 0.04
R175	BRPA613304Z	RESISTOR:CARBON AX TS 26 33 1/6W J TAPING	1	\$ 0.04
R176	BRPA614714Z	RESISTOR:CARBON AX TS 26 470 1/6W J TAPING	1	\$ 0.04
R177	BRPA611524Z	RESISTOR:CARBON AX TS 26 1.5K 1/6W J TAPING	1	\$ 0.04
R178	BRPA614734Z	RESISTOR:CARBON AX TS 26 47K 1/6W J TAPING	1	\$ 0.04
R180	BRPA614704Z	RESISTOR:CARBON AX TS 26 47 1/6W J TAPING	1	\$ 0.04
R181	BRPA611524Z	RESISTOR:CARBON AX TS 26 1.5K 1/6W J TAPING	1	\$ 0.04
R182	BRPB182214Z	RESISTOR:CARBON AXIAL LEAD 220 1/8W J	1	\$ 0.50
R183	BRPA611024Z	RESISTOR:CARBON AX TS 26 1K 1/6W J TAPING	1	\$ 0.04
R184	BRPA612224Z	RESISTOR:CARBON AX TS 26 2.2K 1/6W J TAPING	1	\$ 0.04
R185	BRPA611524Z	RESISTOR:CARBON AX TS 26 1.5K 1/6W J TAPING	1	\$ 0.04
R186	BRPA614734Z	RESISTOR:CARBON AX TS 26 47K 1/6W J TAPING	1	\$ 0.04
R187	BRPA611034Z	RESISTOR:CARBON AX TS 26 10K 1/6W J TAPING	1	\$ 0.04
R188			1	\$ 0.04
R189			1	\$ 0.04
R190	BRPA613334Z	RESISTOR:CARBON AX TS 26 33K 1/6W J TAPING	1	\$ 0.04
R192	BRPA613324Z	RESISTOR:CARBON AX TS 26 3.3K 1/6W J TAPING	1	\$ 0.04
R193	BRPA611024Z	RESISTOR:CARBON AX TS 26 1K 1/6W J TAPING	1	\$ 0.04
R194		AX TS 4.7K 1/6W TAPING	1	\$ 0.50
R195	BRPA614724Z	RESISTOR:CARBON AX TS 26 4.7K 1/6W J TAPING	1	\$ 0.04
R198	BRPA612234Z	RESISTOR:CARBON AX TS 26 22K 1/6W J TAPING	1	\$ 0.04
R201	BRFD181034Z	RESISTOR:CARBON MELF CHIP 10K 1/8W J TAPING	1	\$ 0.05
R202	BRFD182214Z	RESISTOR:CARBON MELF CHIP 220 1/8W J TAPING	1	\$ 0.05
R203	BRFD183334Z	RESISTOR:CARBON MELF CHIP 33K 1/8W J TAPING	1	\$ 0.05
R204	BRFD186814Z	RESISTOR:CARBON MELF CHIP 680 1/8W J TAPING	1	\$ 0.05
R205	BRFD181014Z	RESISTOR:CARBON MELF CHIP 100 1/8W J TAPING	1	\$ 0.05
R206	BRFD184734Z	RESISTOR:CARBON MELF CHIP 47K 1/8W J TAPING	1	\$ 0.05
R207	BRFD181524Z	RESISTOR:CARBON MELF CHIP 1.5K 1/8W J TAPING	1	\$ 0.05

(SYMBOL)	(PARTS CODE)	(DESCRIPTION)	(QTY)	(LIST PRICE)
R208	BRFD183314Z	RESISTOR:CARBON MELF CHIP 330 1/8W J TAPING	1	\$ 0.05
R209			1	\$ 0.05
R211	BRFD186804Z	RESISTOR:CARBON MELF CHIP 68 1/8W J TAPING	1	\$ 0.05
R212	BRPB181044Z	RESISTOR:CARBON AXIAL LEAD 100K 1/8W J	1	\$ 0.50
R213	BRZY0025001	JUMPER CHIP RZ-025 MRD18S TAPING	1	\$ 0.07
R214	BRFD181034Z	RESISTOR:CARBON MELF CHIP 10K 1/8W J TAPING	1	\$ 0.05
R215			1	\$ 0.05
R216	BRFD184744Z	RESISTOR:CARBON MELF CHIP 470K 1/8W J TAPING	1	\$ 0.05
R217	BRFD181034Z	RESISTOR:CARBON MELF CHIP 10K 1/8W J TAPING	1	\$ 0.05
R218	BRFD183324Z	RESISTOR:CARBON MELF CHIP 3.3K 1/8W J TAPING	1	\$ 0.05
R219	BRFD183314Z	RESISTOR:CARBON MELF CHIP 330 1/8W J TAPING	1	\$ 0.05
R221	BRFD181034Z	RESISTOR:CARBON MELF CHIP 10K 1/8W J TAPING	1	\$ 0.05
R222	BRFD183324Z	RESISTOR:CARBON MELF CHIP 3.3K 1/8W J TAPING	1	\$ 0.05
R223	BRZY0025001	JUMPER CHIP RZ-025 MRD18S TAPING	1	\$ 0.07
R301	BRFC181064Z	RESISTOR:CARBON FIXED CHIP 10M 1/8W J TAPING	1	\$ 0.05
R302	BRFD181534Z	RESISTOR:CARBON MELF CHIP 15K 1/8W J TAPING	1	\$ 0.05
R303			1	\$ 0.05
R304	BRPA611034Z	RESISTOR:CARBON AX TS 26 10K 1/6W J TAPING	1	\$ 0.04
R305	BRFD181034Z	RESISTOR:CARBON MELF CHIP 10K 1/8W J TAPING	1	\$ 0.05
R306			1	\$ 0.05
R307	BRFD181024Z	RESISTOR:CARBON MELF CHIP 1K 1/8W J TAPING	1	\$ 0.05
R308	BRFD181034Z	RESISTOR:CARBON MELF CHIP 10K 1/8W J TAPING	1	\$ 0.05
R309	BRPB183324Z	RESISTOR:CARBON AXIAL LEAD 3.3K 1/8W J	1	\$ 0.50
R310	BRFD183314Z	RESISTOR:CARBON MELF CHIP 330 1/8W J TAPING	1	\$ 0.05
R311	BRFD181034Z	RESISTOR:CARBON MELF CHIP 10K 1/8W J TAPING	1	\$ 0.05
R312			1	\$ 0.05
R313	BRFD181534Z	RESISTOR:CARBON MELF CHIP 15K 1/8W J TAPING	1	\$ 0.05
R314	BRFD186814Z	RESISTOR:CARBON MELF CHIP 680 1/8W J TAPING	1	\$ 0.05
R315	BRFD181024Z	RESISTOR:CARBON MELF CHIP 1K 1/8W J TAPING	1	\$ 0.05
R316	BRFD181234Z	RESISTOR:CARBON MELF CHIP 12K 1/8W J TAPING	1	\$ 0.05
R317	BRPB181034Z	RESISTOR:CARBON AXIAL LEAD 10K 1/8W J	1	\$ 0.03
R318	BRFD181024Z	RESISTOR:CARBON MELF CHIP 1K 1/8W J TAPING	1	\$ 0.05
R319	BRFD181014Z	RESISTOR:CARBON MELF CHIP 100 1/8W J TAPING	1	\$ 0.05
R320	BRFD183314Z	RESISTOR:CARBON MELF CHIP 330 1/8W J TAPING	1	\$ 0.05
R321	BRPB183314Z	RESISTOR:CARBON AXIAL LEAD 330 1/8W J	1	\$ 0.50
R322	BRFD181024Z	RESISTOR:CARBON MELF CHIP 1K 1/8W J TAPING	1	\$ 0.05
R323	BRPB181544Z	RESISTOR:CARBON AXIAL LEAD 150K 1/8W J	1	\$ 0.03
R324	BRFD181034Z	RESISTOR:CARBON MELF CHIP 10K 1/8W J TAPING	1	\$ 0.05
R325	BRZY0025001	JUMPER CHIP RZ-025 MRD18S TAPING	1	\$ 0.07
R326	BRFD181024Z	RESISTOR:CARBON MELF CHIP 1K 1/8W J TAPING	1	\$ 0.05
R327	BRFD182234Z	RESISTOR:CARBON MELF CHIP 22K 1/8W J TAPING	1	\$ 0.05
R328	BRPB181024Z	RESISTOR:CARBON AXIAL LEAD 1K 1/8W J	1	\$ 0.50
R329	BRFD181024Z	RESISTOR:CARBON MELF CHIP 1K 1/8W J TAPING	1	\$ 0.05
R331	BRFD181524Z	RESISTOR:CARBON MELF CHIP 1.5K 1/8W J TAPING	1	\$ 0.05

(SYMBOL)	(PARTS CODE)	(DESCRIPTION)	(QTY)	(LIST PRICE)
R332	BRFD181024Z	RESISTOR:CARBON MELF CHIP 1K 1/8W J TAPING	1	\$ 0.05
R333	BRFD181034Z	RESISTOR:CARBON MELF CHIP 10K 1/8W J TAPING	1	\$ 0.05
R334			1	\$ 0.05
R335	BRFD183324Z	RESISTOR:CARBON MELF CHIP 3.3K 1/8W J TAPING	1	\$ 0.05
R336	BRFD181034Z	RESISTOR:CARBON MELF CHIP 10K 1/8W J TAPING	1	\$ 0.05
R337			1	\$ 0.05
R338	BRFD182234Z	RESISTOR:CARBON MELF CHIP 22K 1/8W J TAPING	1	\$ 0.05
R339	BRFD181814Z	RESISTOR:CARBON MELF CHIP 180 1/8W J TAPING	1	\$ 0.05
R341			1	\$ 0.05
R342	BRFD183324Z	RESISTOR:CARBON MELF CHIP 3.3K 1/8W J TAPING	1	\$ 0.05
R343	BRFD182214Z	RESISTOR:CARBON MELF CHIP 220 1/8W J TAPING	1	\$ 0.05
R344	BRFD184724Z	RESISTOR:CARBON MELF CHIP 4.7K 1/8W J TAPING	1	\$ 0.05
R345	BRFD185624Z	RESISTOR:CARBON MELF CHIP 5.6K 1/8W J TAPING	1	\$ 0.05
R346	BRFD186814Z	RESISTOR:CARBON MELF CHIP 680 1/8W J TAPING	1	\$ 0.05
R347	BRPA611524Z	RESISTOR:CARBON AX TS 26 1.5K 1/6W J TAPING	1	\$ 0.04
R348	BRFD183324Z	RESISTOR:CARBON MELF CHIP 3.3K 1/8W J TAPING	1	\$ 0.05
R349	BRFD181814Z	RESISTOR:CARBON MELF CHIP 180 1/8W J TAPING	1	\$ 0.05
R351	BRFD181524Z	RESISTOR:CARBON MELF CHIP 1.5K 1/8W J TAPING	1	\$ 0.05
R352	BRFD181814Z	RESISTOR:CARBON MELF CHIP 180 1/8W J TAPING	1	\$ 0.05
R353	BRFD183324Z	RESISTOR:CARBON MELF CHIP 3.3K 1/8W J TAPING	1	\$ 0.05
R354	BRPB184724Z	RESISTOR:CARBON AXIAL LEAD 4.7K 1/8W J	1	\$ 0.50
R355	BRZY0025001	JUMPER CHIP RZ-025 MRD18S TAPING	1	\$ 0.07
R356	BRPA611034Z	RESISTOR:CARBON AX TS 26 10K 1/6W J TAPING	1	\$ 0.04
R357	BRFD181034Z	RESISTOR:CARBON MELF CHIP 10K 1/8W J TAPING	1	\$ 0.05
R358	BRFD184724Z	RESISTOR:CARBON MELF CHIP 4.7K 1/8W J TAPING	1	\$ 0.05
R359	BRFD181224Z	RESISTOR:CARBON MELF CHIP 1.2K 1/8W J TAPING	1	\$ 0.05
R360	BRFD186834Z	RESISTOR:CARBON MELF CHIP 68K 1/8W J TAPING	1	\$ 0.05
R361	BRFD181224Z	RESISTOR:CARBON MELF CHIP 1.2K 1/8W J TAPING	1	\$ 0.05
R362	BRFD181034Z	RESISTOR:CARBON MELF CHIP 10K 1/8W J TAPING	1	\$ 0.05
R363	BRFD181024Z	RESISTOR:CARBON MELF CHIP 1K 1/8W J TAPING	1	\$ 0.05
R364	BRFD182734Z	RESISTOR:CARBON MELF CHIP 27K 1/8W J TAPING	1	\$ 0.05
R365	BRPA613934Z	RESISTOR:CARBON AX TS 26 39K 1/6W J TAPING	1	\$ 0.04
R366	BRFD183324Z	RESISTOR:CARBON MELF CHIP 3.3K 1/8W J TAPING	1	\$ 0.05
R370	BRFD181524Z	RESISTOR:CARBON MELF CHIP 1.5K 1/8W J TAPING	1	\$ 0.05
R371	BRFD182224Z	RESISTOR:CARBON MELF CHIP 2.2K 1/8W J TAPING	1	\$ 0.05
R373	BRFD184734Z	RESISTOR:CARBON MELF CHIP 47K 1/8W J TAPING	1	\$ 0.05
R374	BRFD181044Z	RESISTOR:CARBON MELF CHIP 100K 1/8W J TAPING	1	\$ 0.05
R375	BRFD181034Z	RESISTOR:CARBON MELF CHIP 10K 1/8W J TAPING	1	\$ 0.05
R376			1	\$ 0.05
R377	BRFD181024Z	RESISTOR:CARBON MELF CHIP 1K 1/8W J TAPING	1	\$ 0.05
R378	BRFD188234Z	RESISTOR:CARBON MELF CHIP 82K 1/8W J TAPING	1	\$ 0.05
R379	BRFD181044Z	RESISTOR:CARBON MELF CHIP 100K 1/8W J TAPING	1	\$ 0.05
R381	BRFD181034Z	RESISTOR:CARBON MELF CHIP 10K 1/8W J TAPING	1	\$ 0.05
R382	BRFD181034Z	RESISTOR:CARBON MELF CHIP 10K 1/8W J TAPING	1	\$ 0.05

(SYMBOL)	(PARTS CODE)	(DESCRIPTION)	(QTY)	(LIST PRICE)
R383	BRFD181034Z	RESISTOR:CARBON MELF CHIP 10K 1/8W J TAPING	1	\$ 0.05
R384			1	\$ 0.05
R385	BRFD181024Z	RESISTOR:CARBON MELF CHIP 1K 1/8W J TAPING	1	\$ 0.05
R387			1	\$ 0.05
R392	BRFD184724Z	RESISTOR:CARBON MELF CHIP 4.7K 1/8W J TAPING	1	\$ 0.05
R393	BRFD184714Z	RESISTOR:CARBON MELF CHIP 470 1/8W J TAPING	1	\$ 0.05
R394	BRFD186814Z	RESISTOR:CARBON MELF CHIP 680 1/8W J TAPING	1	\$ 0.05
R395	BRFD186824Z	RESISTOR:CARBON MELF CHIP 6.8K 1/8W J TAPING	1	\$ 0.05
R396	BRFD181824Z	RESISTOR:CARBON MELF CHIP 1.8K 1/8W J TAPING	1	\$ 0.05
R402	BRZY0025001	JUMPER CHIP RZ-025 MRD18S TAPING	1	\$ 0.07
R403			1	\$ 0.07
R405	BRFD181024Z	RESISTOR:CARBON MELF CHIP 1K 1/8W J TAPING	1	\$ 0.05
R409	BRFD181004Z	RESISTOR:CARBON MELF CHIP 10 1/8W J TAPING	1	\$ 0.05
R411	BRFD182224Z	RESISTOR:CARBON MELF CHIP 2.2K 1/8W J TAPING	1	\$ 0.05
R412			1	\$ 0.05
R413	BRFD184734Z	RESISTOR:CARBON MELF CHIP 47K 1/8W J TAPING	1	\$ 0.05
R414	BRFD186834Z	RESISTOR:CARBON MELF CHIP 68K 1/8W J TAPING	1	\$ 0.05
R415	BRFD181014Z	RESISTOR:CARBON MELF CHIP 100 1/8W J TAPING	1	\$ 0.05
R416	BRFD181034Z	RESISTOR:CARBON MELF CHIP 10K 1/8W J TAPING	1	\$ 0.05
R443	BRFD181524Z	RESISTOR:CARBON MELF CHIP 1.5K 1/8W J TAPING	1	\$ 0.05
R444	BRFD181054Z	RESISTOR:CARBON MELF CHIP 1M 1/8W J TAPING	1	\$ 0.05
R445	BRFD181524Z	RESISTOR:CARBON MELF CHIP 1.5K 1/8W J TAPING	1	\$ 0.05
R451	BRFD181034Z	RESISTOR:CARBON MELF CHIP 10K 1/8W J TAPING	1	\$ 0.05
R456			1	\$ 0.05
R457			1	\$ 0.05
R458			1	\$ 0.05
R459			1	\$ 0.05
R461			1	\$ 0.05
R462			1	\$ 0.05
R463			1	\$ 0.05
R464			1	\$ 0.05
R465			1	\$ 0.05
R466			1	\$ 0.05
R472	BRFD181054Z	RESISTOR:CARBON MELF CHIP 1M 1/8W J TAPING	1	\$ 0.05
R478	BRFD181034Z	RESISTOR:CARBON MELF CHIP 10K 1/8W J TAPING	1	\$ 0.05
R481			1	\$ 0.05
R482	BRFD184724Z	RESISTOR:CARBON MELF CHIP 4.7K 1/8W J TAPING	1	\$ 0.05
R483			1	\$ 0.05
R484			1	\$ 0.05
R485			1	\$ 0.05
R486			1	\$ 0.05
R487			1	\$ 0.05
R488	BRFD181034Z	RESISTOR:CARBON MELF CHIP 10K 1/8W J TAPING	1	\$ 0.05
R489	BRFD181034Z	RESISTOR:CARBON MELF CHIP 10K 1/8W J TAPING	1	\$ 0.05

(SYMBOL)	(PARTS CODE)	(DESCRIPTION)	(QTY)	(LIST PRICE)
R491	BRFD181034Z	RESISTOR:CARBON MELF CHIP 10K 1/8W J TAPING	1	\$ 0.05
R492			1	\$ 0.05
R493	BRFD181524Z	RESISTOR:CARBON MELF CHIP 2.2K 1/8W J TAPING	1	\$ 0.05
R494	BRFD181034Z	RESISTOR:CARBON MELF CHIP 10K 1/8W J TAPING	1	\$ 0.05
R496			1	\$ 0.05
R501	BRUB612244Z	RESISTOR:CARBON FORMED VERT 220K 1/6W J	1	\$ 0.04
R502	BRUB611034Z	RESISTOR:CARBON FORMED VERT 10K 1/6W J	1	\$ 0.04
R504			1	\$ 0.04
R505			1	\$ 0.04
R506	BRUB612734Z	RESISTOR:CARBON FORMED VERT 27K 1/6W J	1	\$ 0.04
R507	BRUB615604Z	RESISTOR:CARBON FORMED VERT 56 1/6W J	1	\$ 0.04
R508	BRUB614734Z	RESISTOR:CARBON FORMED VERT 47K 1/6W J	1	\$ 0.04
R509	BRUB611034Z	RESISTOR:CARBON FORMED VERT 10K 1/6W J	1	\$ 0.04
R551	BRPA612214Z	RESISTOR:CARBON AX TS 26 220 1/6W J TAPING	1	\$ 0.04
R552	BRPA611514Z	RESISTOR:CARBON AX TS 26 150 1/6W J TAPING	1	\$ 0.04
R601	BRPA614704Z	RESISTOR:CARBON AX TS 26 47 1/6W J TAPING	1	\$ 0.04
R602	BRPA611514Z	RESISTOR:CARBON AX TS 26 150 1/6W J TAPING	1	\$ 0.04
R603	BRPA614704Z	RESISTOR:CARBON AX TS 26 47 1/6W J TAPING	1	\$ 0.04
R801	BRPA612224Z	RESISTOR:CARBON AX TS 26 2.2K 1/6W J TAPING	1	\$ 0.04
R802	BRPA611024Z	RESISTOR:CARBON AX TS 26 1K 1/6W J TAPING	1	\$ 0.04
R803			1	\$ 0.04
R804	BRPA615624Z	RESISTOR:CARBON AX TS 26 5.6K 1/6W J TAPING	1	\$ 0.04
R805	BRPA614724Z	RESISTOR:CARBON AX TS 26 4.7K 1/6W J TAPING	1	\$ 0.04
S301	BSWY0650001	SWITCH SW-650	1	\$ 4.21
S601	BSWY0549001	SWITCH:PUSH SW-549 PXG22-01	1	\$ 2.37
S602			1	\$ 2.37
S603	BSWY0629001	SWITCH:PUSH SW-629	1	\$ 2.26
S604			1	\$ 2.26
S605			1	\$ 2.26
S606			1	\$ 2.26
S607	BSWY0549001	SWITCH:PUSH SW-549 PXG22-01	1	\$ 2.37
S608			1	\$ 2.37
S609			1	\$ 2.37
S611	BSWY0560001	SWITCH:TACT SW-560 SKHJAB	1	\$ 1.29
S612			1	\$ 1.29
S801	BSWY0549001	SWITCH:PUSH SW-549 PXG22-01	1	\$ 2.37
S802			1	\$ 2.37
S901	BSRY0404001	SWITCH:ROTARY SR-404 USW-0460	1	\$ 9.61
S911	BSRY0405001	SWITCH:ROTARY SR-405 USW-0461	1	\$ 10.18
T001	BTFY0380001	TRANS:AF CHOKE TF-380	1	\$ 2.18
	CUHH003041Z	WIRE UL 1007 #26 10- 30- 3 GRY	1	\$ 0.04
	CUHG008044Z	WIRE UL 1007 #26 10- 80-10 VIO	1	\$ 0.07
	CUHA012044Z	WIRE UL 1007 #26 10-120-10 BRN	1	\$ 0.07
	CUHH010044Z	WIRE UL 1007 #26 10-100-10 GRY	1	\$ 0.07



(SYMBOL)	(PARTS CODE)	(DESCRIPTION)	(QTY)	(LIST PRICE)
	CUHF010044Z	WIRE UL 1007 #26 10-100-10 BLU	1	\$ 0.07
	CUHD010044Z	WIRE UL 1007 #26 10-100-10 YEL	1	\$ 0.07
	CUHG008044Z	WIRE UL 1007 #26 10- 80-10 VIO	1	\$ 0.07
	CUHJ010044Z	WIRE UL 1007 #26 10-100-10 WHI	1	\$ 0.07
	CUHB012044Z	WIRE UL 1007 #26 10-120-10 RED	1	\$ 0.07
	CUHC012044Z	WIRE UL 1007 #26 10-120-10 ORG	1	\$ 0.07
	CUHA017044Z	WIRE UL 1007 #26 10-170-10 BRN	1	\$ 0.09
	CUHF019044Z	WIRE UL 1007 #26 10-190-10 BLU	1	\$ 0.09
	CUHV018044Z	WIRE UL 1007 #26 10-180-10 PNK	1	\$ 0.09
	CUHF006021Z	WIRE UL 1007 #26 5- 60- 3 BLU	1	\$ 0.03
	CUHB006021Z	WIRE UL 1007 #26 5- 60- 3 RED	1	\$ 0.03
	CUHD006021Z	WIRE UL 1007 #26 5- 60- 3 YEL	1	\$ 0.03
X001	BQXY0122002	CRYSTAL QX-122 10.6975	1	\$ 0.50
X301	BQXY0122001	CRYSTAL QX-122 10.2417	1	\$ 0.50
X302	BQXY0287001	CRYSTAL QX-287 22.0MHZ	1	\$ 9.24
X303	BQXY0126001	CRYSTAL QX-126 3.579545MHZ	1	\$ 3.42
Y301	BYYY0548001	CERAMIC RESONATOR YY-548 CSA2.000MK	1	\$ 4.86
FT001	BFLY0271001	FILTER FL-271 219SB-302	1	\$ 6.94
FT002	BFLY0090001	FILTER:CRYSTAL FL-090 UMF-058(10.695)	1	\$ 0.50
FT004	BFLY0272001	FILTER FL-272 219SB-303	1	\$ 6.94
FT401	BFLY0346001	FILTER FL-346	1	\$ 9.64
FT402	BFLY0074001	FILTER:CERAMIC FL-074 CFW455E	1	\$ 5.99
IC001	BDEY0582001	INTEGRATED CIRCUIT M5223L	1	\$ 1.62
IC002	BDEY0603001	INTEGRATED CIRCUIT TDA1905	1	\$ 3.37
IC003	BDEY0130001	INTEGRATED CIRCUIT AN612	1	\$ 7.28
IC004	BDEY0218001	INTEGRATED CIRCUIT NJM4558S	1	\$ 1.33
IC005	BDEY0364001	INTEGRATED CIRCUIT TA7320P	1	\$ 3.69
IC006	BDEY0924001	INTEGRATED CIRCUIT L7808CV	1	\$ 1.64
IC301	BDEY1084001	INTEGRATED CIRCUIT PLL0305A	1	\$ 9.68
IC302	BDEY1020001	INTEGRATED CIRCUIT SM5152A1	1	\$ 16.84
IC303	BDEY1108001	INTEGRATED CIRCUIT M54460L	1	\$ 11.34
IC304	BDEY0132001	INTEGRATED CIRCUIT S042P	1	\$ 3.07
IC305			1	\$ 3.07
IC306	BDEY1110001	INTEGRATED CIRCUIT NJM3404AS	1	\$ 5.27
IC307	BDEY0218001	INTEGRATED CIRCUIT NJM4558S	1	\$ 1.33
IC311	BDEY0996001	INTEGRATED CIRCUIT L78M08CV	1	\$ 1.53
IC312	BDEY0995001	INTEGRATED CIRCUIT L78M05CV	1	\$ 1.53
IC313	BDEY1510001	INTEGRATED CIRCUIT S7116A	1	\$ 27.53
IC314	BDEY1098001	INTEGRATED CIRCUIT M51953BL	1	\$ 2.92
IC315	BDEY1509001	INTEGRATED CIRCUIT UC1251	1	\$ 28.91
IC316	BDEY1155001	INTEGRATED CIRCUIT HD14093BP	1	\$ 2.11
IC401	BDEY0389001	INTEGRATED CIRCUIT IR3N06	1	\$ 3.40
IC501	BDEY1136001	INTEGRATED CIRCUIT IR2429	1	\$ 20.05
IC502	BDEY1021001	INTEGRATED CIRCUIT LH5008TP	1	\$ 17.00

(SYMBOL)	(PARTS CODE)	(DESCRIPTION)	(QTY)	(LIST PRICE)
LC501	BDLY0027001	LIQUID CRYSTAL DISPLAY DL-027 LR634C-A	1	\$ 24.72
MC511	BMKY0388001	MICROPHONE MK-388	1	\$ 37.33
PL501	BPLY0105001	PILOT LAMP PL-105	1	\$ 2.39
RR301	BHAY0117001	R:ARRAY HA-117	1	\$ 2.67
RR302	BHAY0096001	R:ARRAY HA-096 47K*9	1	\$ 2.89
RR303	BHAY0093001	R:ARRAY HA-093	1	\$ 1.73
SP551	BSPY0181001	SPEAKER SP-181	1	\$ 6.24
TP002	BTPY0044001	TERMINAL:CHECK POINT TP-044	1	\$ 0.21
TP003			1	\$ 0.21
TP004			1	\$ 0.21
VR001	BRTY0528223	RESISTOR:SEMI-FIXED RT-528 22KB	1	\$ 0.75
VR002	BRTY0528104	RESISTOR:SEMI-FIXED RT-528 100KB	1	\$ 0.75
VR003	BRTY0528473	RESISTOR:SEMI-FIXED RT-528 47KB	1	\$ 0.75
VR004	BRTY0528103	RESISTOR:SEMI-FIXED RT-528 10KB	1	\$ 0.75
VR005			1	\$ 0.75
VR006	BRTY0528102	RESISTOR:SEMI-FIXED RT-528 1KB	1	\$ 0.75
VR007	BRTY0528103	RESISTOR:SEMI-FIXED RT-528 10KB	1	\$ 0.75
VR008	BRTY0528223	RESISTOR:SEMI-FIXED RT-528 22KB	1	\$ 0.75
VR009	BRTY0528103	RESISTOR:SEMI-FIXED RT-528 10KB	1	\$ 0.75
VR010			1	\$ 0.75
VR011			1	\$ 0.75
VR012	BRTY0528473	RESISTOR:SEMI-FIXED RT-528 47KB	1	\$ 0.75
VR013	BRTY0182101	RESISTOR:SEMI-FIXED RT-182 TT24R 100B	1	\$ 0.34
VR014	BRTY0182102	RESISTOR:SEMI-FIXED RT-182 TT24R 1KB	1	\$ 0.34
VR301	BRTY0528101	RESISTOR:SEMI-FIXED RT-528 100B	1	\$ 0.75
VR302			1	\$ 0.75
VR303	BRTY0528223	RESISTOR:SEMI-FIXED RT-528 22KB	1	\$ 0.75
VR304	BRTY0528103	RESISTOR:SEMI-FIXED RT-528 10KB	1	\$ 0.75
VR601	BRVY0672001	RESISTOR:VARIABLE RV-672 5KB	1	\$ 3.00
VR701	BRVY0677001	RESISTOR:VARIABLE RV-677 RK0971111 50KA W/S	1	\$ 5.27
VR702	BRVY0678001	RESISTOR:VARIABLE RV-678 RK0971111 50KB W/S	1	\$ 5.27
VR801	BRVY0652001	RESISTOR:VARIABLE RV-652 VB12L PVB20F B1K	1	\$ 2.59
VR802	BRVY0679001	RESISTOR:VARIABLE RV-679 10KB	1	\$ 2.78
	CZDZ071399Z	WIRES ASSEMBLED W-071399	1	\$ 3.36
	CZDZ071398Z	WIRES ASSEMBLED W-071398	1	\$ 2.59
	CZDZ071507Z	WIRES:ASSEMBLED W-071507	1	\$ 4.08
	CZDZ071506Z	WIRES:ASSEMBLED W-071506	1	\$ 3.89
	CZDZ071395Z	WIRES ASSEMBLED W-071395	1	\$ 2.48
	CZDZ071505A	WIRES:ASSEMBLED W-071505A	1	\$ 6.87
	CZDZ071393A	WIRES ASSEMBLED W-071393A	1	\$ 1.26
	CZDZ071392Z	WIRES ASSEMBLED W-071392	1	\$ 1.38
	CZDZ071391Z	WIRES ASSEMBLED W-071391	1	\$ 6.04
	CZDZ071400B	WIRES ASSEMBLED W-071400B	1	\$ 8.36
	CZDZ071511Z	WIRES:ASSEMBLED W-071511	1	\$ 1.03

(SYMBOL)	(PARTS CODE)	(DESCRIPTION)	(QTY)	(LIST PRICE)
	CZDZ071389Z	WIRES ASSEMBLED	W-071389	1 \$ 1.08
	CZDZ071512Z	WIRES:ASSEMBLED	W-071512	1 \$ 2.25
	CZDZ071387A	WIRES ASSEMBLED	W-071387A	1 \$ 1.01
WA015	BWZY0692001	CORD	WZ-692 230 W/P	1 \$ 4.05
WA016	BWZY0693001	CORD	WZ-693 270 W/P	1 \$ 4.19
	CZDZ071402A	WIRES ASSEMBLED	W-071402A	1 \$ 1.46
WA018	BWZY0727001	CORD	WZ-727	1 \$ 1.52
	CZDZ071503Z	WIRES:ASSEMBLED	W-071503	1 \$ 1.00
WA020	BWZY0721001	DC CORD	WZ-721 1830 W/P	1 \$ 9.48
	CZDZ071401Z	WIRES ASSEMBLED	W-071401	1 \$ 2.81
YI501	BYDY0010003	INSULATION SHEET	YD-010 P101KD	1 \$ 0.02
YI502	BYYY0172001	BUSHING:TIGHT CERAMIC	YY-172	1 \$ 0.28
YI503				1 \$ 0.28
YW501	BYYY0047001	WIRE CLAMPER	YY-047	1 \$ 0.05
YW502				1 \$ 0.05
YW503				1 \$ 0.05
YW504				1 \$ 0.05
YW505				1 \$ 0.05
YW506				1 \$ 0.05
YW507				1 \$ 0.05
YW508				1 \$ 0.05
YW509				1 \$ 0.05
YW510				1 \$ 0.05
	FCSR221155Z	CHASSIS:REAR	ADC-12. PAINT BLACK	1 \$ 23.31
	GCMF192098Z	PANEL:FRONT	ABS. DARK GRAY PAINT SILK	1 \$ 7.52
	GCMZ492099Z	PLATE:DISPLAY	PMMA, SILK	1 \$ 2.61
	GHDZ320936Z	HOLDER:LCD	ABS, WHITE	1 \$ 1.35
	GMSC480407Z	SCREW:MOUNTING	ABS, BLACK	4 \$ 0.54
	GNBC421145Z	KNOB:CHANNEL	ABS, DARK GRAY	1 \$ 1.10
	GNBP420940Z	BUTTON:CHANNEL	ABS, SATIN CR	2 \$ 1.40
	GNBP421146Z	Kn:JB:PUSH	ABS, DARK GRAY	5 \$ 0.33
	GNBP421147Z	KNOB:PUSH	ABS, NEUTRAL GRAY	6 \$ 0.33
	GNBY420939Z	KNOB	ABS, DARK GRAY	6 \$ 0.55
	HBCT380105A	MOUNTING BRACKET	SPCC 1.6T PAINT DARK GRAY	1 \$ 7.26
	HCMB221190A	CASE:BOTTOM	VINYTOP, SB-K08, 1.0T, BLACK	1 \$ 9.19
	HCMT221191Z	CASE:TOP	VINYTOP, SB-K08, 1.0T, BLACK	1 \$ 8.65
	HCSS321192B	CHASSIS:SIDE	SECC, 1.0T, NON OIL	2 \$ 2.59
	HHSK418834D	HEAT SINK	C5191R, 0.5T	1 \$ 0.71
	HMHG402919Z	HANGER:MICROPHONE	SPCC, 1.0T, NI	1 \$ 0.44
	HSDC321193B	SHIELD CASE	SECC, 0.8T	1 \$ 4.14
	HSDP420091Z	SHIELD PLATE	SPTE, 0.3T	1 \$ 0.23
	HSDP421141Z	FRAME:LCD	SPTE, 0.3T, NON OIL	1 \$ 0.67
	HSDP421142Z	SHIELD PLATE	SPTE, 0.3T, NON OIL	1 \$ 0.51
	HSDP421143Z	PLATE:ESD (R)	SPTE, 0.3T, NON OIL	1 \$ 0.75

(SYMBOL)	(PARTS CODE)	(DESCRIPTION)	(QTY)	(LIST PRICE)
HSDP421144Z	PLATE:ESD (L)	SPTE. 0. 3T, NON OIL	1	\$ 0. 60
HSDP491778Z	SHIELD PLATE	SPTE 0. 3T NON OIL	1	\$ 0. 49
HSDP492100Z	SHIELD PLATE	SPTE. 0. 3T NON OIL	1	\$ 0. 30
PLBC482147Z	LABEL:WARNING, DC CORD	PAPER, PRINT	1	\$ 0. 15
PLBF492101Z	LABEL:REAR	POLYESTER FILM 0. 1T	1	\$ 0. 38
PLBZ422139Z	LABEL:INDICATION	POLYESTER FILM 0. 05T	1	\$ 0. 17
RETC421189Z	PLATE:LCD	YUPO PAPER, 0. 15T	1	\$ 0. 19
RUTC403865Z	WOOL-COATED PAPER:WOOL TACK	WOOL PAPER, 10*150*0. 3T	2	\$ 0. 08
RZEB420092Z	INSULATION PLATE	PC, 0. 2T	1	\$ 0. 17
RZEB491779Z	INSULATION PLATE	PVC 0. 35T	1	\$ 0. 88
RZEB492102Z	INSULATION PLATE	PVC 0. 3T	1	\$ 0. 19
TSTD0150007	TERMINAL:LUG SOLDER	D3. 2X14	2	\$ 0. 07
TSTD0200003	SPRING PLATE:KNOB	D6. 02XL9. 53	7	\$ 0. 17
UTUD01550CZ	OWNER'S MANUAL	**	1	\$ 0. 50
UTUD492088Z	LABEL:NOTICE	PAPER PRINT	1	\$ 1. 13
			1	\$ 1. 13
VNYL1114000	VINYL BAG	110X400X0. 05T	1	\$ 0. 08
VNYL1122800	VINYL BAG	120X280X0. 05T	1	\$ 0. 05
VNYL1173200	VINYL BAG	170X320X0. 05T	1	\$ 0. 09
VNYL2465270	VINYL BAG	460X520X700X0. 07T	0. 16666	\$ 1. 88
VNYL3101200	VINYL BAG	100X120X0. 1T	1	\$ 0. 06
VNYL3324500	VINYL BAG	320X450X0. 1T	1	\$ 0. 50
WBXC392103Z	DISPLAY BOX	**	1	\$ 0. 50
WCTZ392104Z	SHIPPING CARTON BOX	**	0. 16666	\$ 0. 50
WSFC121185Z	STYROFOAM PAD (R)	**	1	\$ 2. 40
WSFC221184A	STYROFOAM PAD(F)	**	1	\$ 1. 58
WSLV421401Z	SPACER	**	1	\$ 0. 26
SMHR2600	SERVICE MANUAL			

## 5. IC VOLTAGE CHART

	IC 1	IC 2	IC 3	IC 4	IC 5	IC 6	IC 301	IC 302
Pin No.	M5223L	7DA1905	AN612	NJM4558S	TA7320P	L7808CV	PLLO305A	MS152A1
1	0	7.0 <span style="border: 1px solid black; padding: 2px;">11.0</span>	2.4	7.5	0 <span style="border: 1px solid black; padding: 2px;">6.2</span>	13.6	4.8	2.0
2	0	13.6	3.2	4.1	0 <span style="border: 1px solid black; padding: 2px;">3.7</span>	0	0	2.4
3	0	12.1	3.2	4.1	0 <span style="border: 1px solid black; padding: 2px;">3.0</span>	8.0	4.8	4.8
4	0	—	0	4.1	0 <span style="border: 1px solid black; padding: 2px;">7.5</span>		4.9	3.9
5	1.0 (9.0)	—	5.9	0	0 <span style="border: 1px solid black; padding: 2px;">0</span>		4.8	0
6	1.7 (1.7)	2.6 <span style="border: 1px solid black; padding: 2px;">4.0</span>	7.4	3.7	0 <span style="border: 1px solid black; padding: 2px;">2.5</span>		0 4.7	2.1 4.2
7	0 (6.8)	2.6 <span style="border: 1px solid black; padding: 2px;">4.4</span>	6.3 <span style="border: 1px solid black; padding: 2px;">4.0</span>	7.5 <span style="border: 1px solid black; padding: 2px;">2.0</span>	0 <span style="border: 1px solid black; padding: 2px;">4.0</span>		0	0 4.2
8	8.0	2.5 <span style="border: 1px solid black; padding: 2px;">9.5</span>		1.3 <span style="border: 1px solid black; padding: 2px;">6.0</span>	0 <span style="border: 1px solid black; padding: 2px;">7.0</span>		4.8	0 4.2
9				7.5	0 <span style="border: 1px solid black; padding: 2px;">7.5</span>		2.2 6.200MHZ	0 4.2
10							0 4.8	
11							0 4.8	
12							0 4.8	
13							100 3.9 0	
14							10.240 —	
15							10.240 3.8	
16							10.240 2.1 2.0	
17							10.240 2.2	
18							10.240 0	
19								
20								
21								
22								

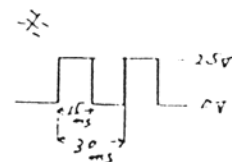
- DC VOLTAGE IN    SHOWS TX CONDITION.
- DC VOLTAGE IN NO MARK SHOWS RX CONDITION.
- DC VOLTAGE IN (    ) SHOWS RX CONDITION OPERATION OF EACH FUNCTION.

	IC303	IC304	IC305	IC306	IC307	IC311	IC312	IC313
Pin No.	M5460L	S042P	S042P	M13408AS	M14558S	L78108CV	L78105CV	S-7116A
1	0	0	0	7.7	-	13.6	13.6	3.5
2	-	4.6	4.9	5.7	-	0	0.6	0
3	0	7.7	7.7	3.9	-	7.7	5.6	0
4	1.1	0	0	3.9	-			-
5	1.5	7.7	7.7	0	0			2.6
6	4.8	0	0		4.1			4.8
7	-	2.7	2.7		4.1			0
8	0.5	2.7	2.7		3.1			-
9		0	0		7.7			-
10		0.5	0.5					-
11		1.2	1.3					(4.8)
12		0.5	0.5					-
13		1.2	1.3					-
14		0	0					4.8
15								
16								
17								
18								
19								
20								
21								
22								

- DC VOLTAGE IN  SHOWS TX CONDITION.
- DC VOLTAGE IN NO MARK SHOWS RX CONDITION.
- DC VOLTAGE IN ( ) SHOWS PX CONDITION OPERATION OF EACH FUNCTION.

	IC314	IC315	IC315	IC315	IC316	IC401	IC501	IC502
Pin No	M51753B1	UC-1251	Pin No	Pin No	11D14073BP	IR3N06	IR2429	Pin No LH018TP
1	4.8	5 0	23 0	25 5	4.9	(8)	*	1
2	-	0 0	24 0	26 5	0	-	*	2
3	0	5 0	25 5	27 4.4	4.9	(7.7)	*	3 3.4
4	1.1	0 0	26 5	28 4.4	0	(8.0)	*	4 2.6
5	4.8	5 0	27 5	29 4.4	4.9	(1.0)	*	5 1.8
6		0 0	28 0	30 4.4	4.9	(1.0)	*	6 5.0
7		5 0	29 0	31 4.4	2.5	0	*	7 0
8		5 0	30 0	32 4.4	2.5	-	*	8 5
9		5 0	31 0	33 4.4	0	-	*	9 0
10		5 0	32 5	34 4.5	0	-	*	10 5
11		5 0	33 5	35 5	4.9		*	11 0
12		5 0	34 5	36 5	0		*	12 0
13		5 4.4	35 0	37 1	4.9		*	13 5
14		0 0	36 5	38 5	4.9		-	14 0
15		0 0	37 5	39 0			3.3	15
16		0 0	38 5	60 5			1.0	16 -
17		5 4.4	39 5	61 0			-	17 5.0
18		5 4.4	40 0	62 4.4	0		4.0	18 -
19		5 4.4	41 0	63 4.4	0		0.6	19
20		0 0	42 0	64 4.4	5		0	
21		0 0	43 0				0	
22		5 4.4	44 0				0	

- DC VOLTAGE IN  SHOWS TX CONDITION.
- DC VOLTAGE IN NO MARK SHOWS RX CONDITION.
- DC VOLTAGE IN ( ) SHOWS RX CONDITION OPERATION OF EACH FUNCTION.



## 6. FREQUENCY CHART

### FREQUENCIES OF LOCAL OSCILLATORS

$$F_v = F + 10.6950 \text{ (MHz)} + \alpha$$

$$\left( \begin{array}{l} F : \text{TRANSMITTING AND RECEIVING FREQUENCY} \\ F_v : \text{VCO OUTPUT FREQUENCY} \\ \alpha \left\{ \begin{array}{ll} 0 & \text{(FM / AM)} \\ + 2.5 \text{ kHz} & \text{(USB)} \\ - 2.5 \text{ kHz} & \text{(LSB)} \\ + 1.7 \text{ kHz} & \text{(CW)} \end{array} \right. \end{array} \right)$$

### CHANNEL AND FREQUENCY RANGE

BAND	FREQUENCY RANGE
A	28.0000 ~ 28.4999 MHz
B	28.5000 ~ 28.9999 MHz
C	29.0000 ~ 29.4999 MHz
D	29.5000 ~ 29.6999 MHz



## **7. EXPLODED VIEW & MECHANICAL PARTS LIST**

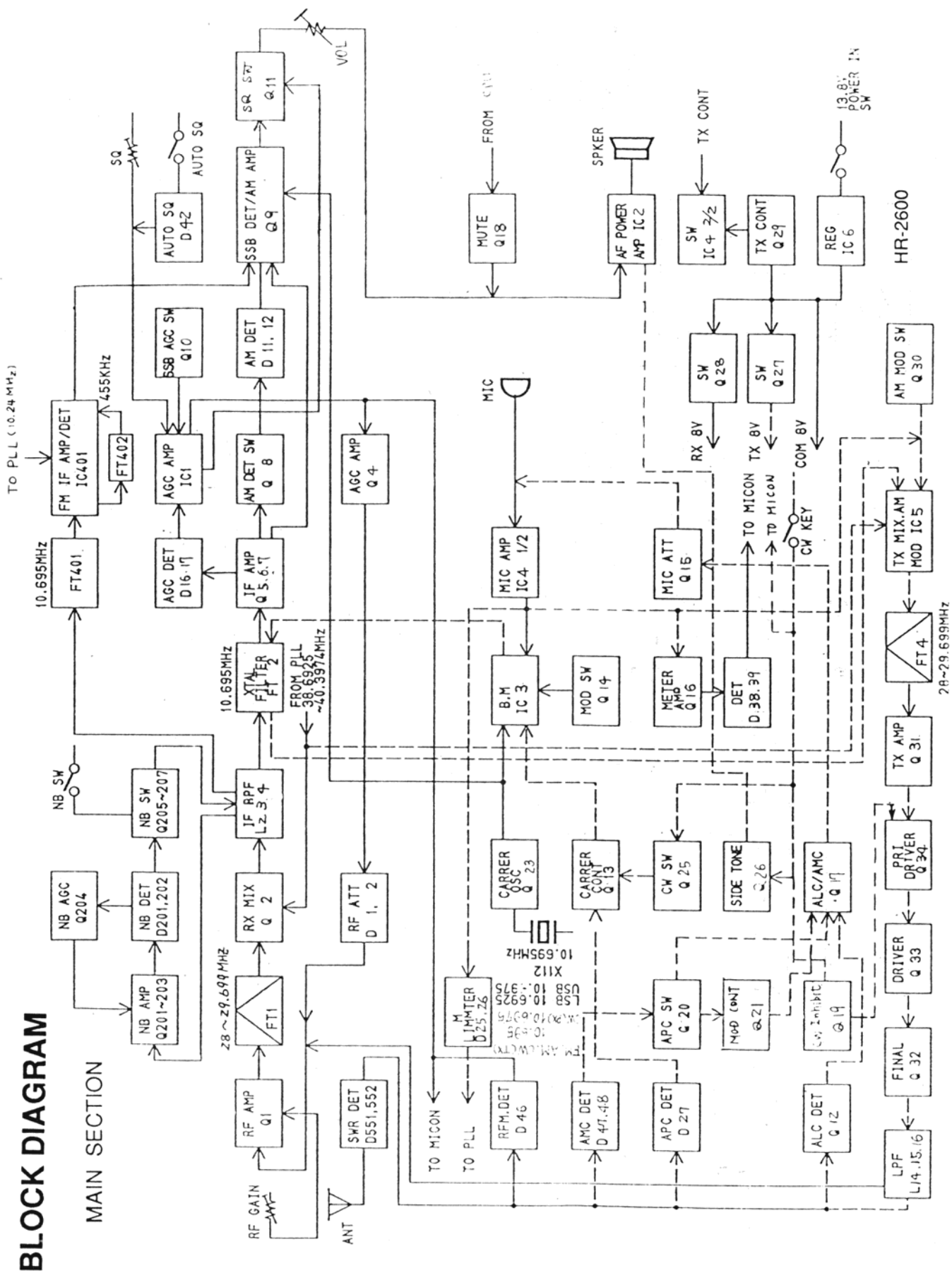
## PARTS LIST FOR EXPLODED VIEW

Model Name : HR-2600

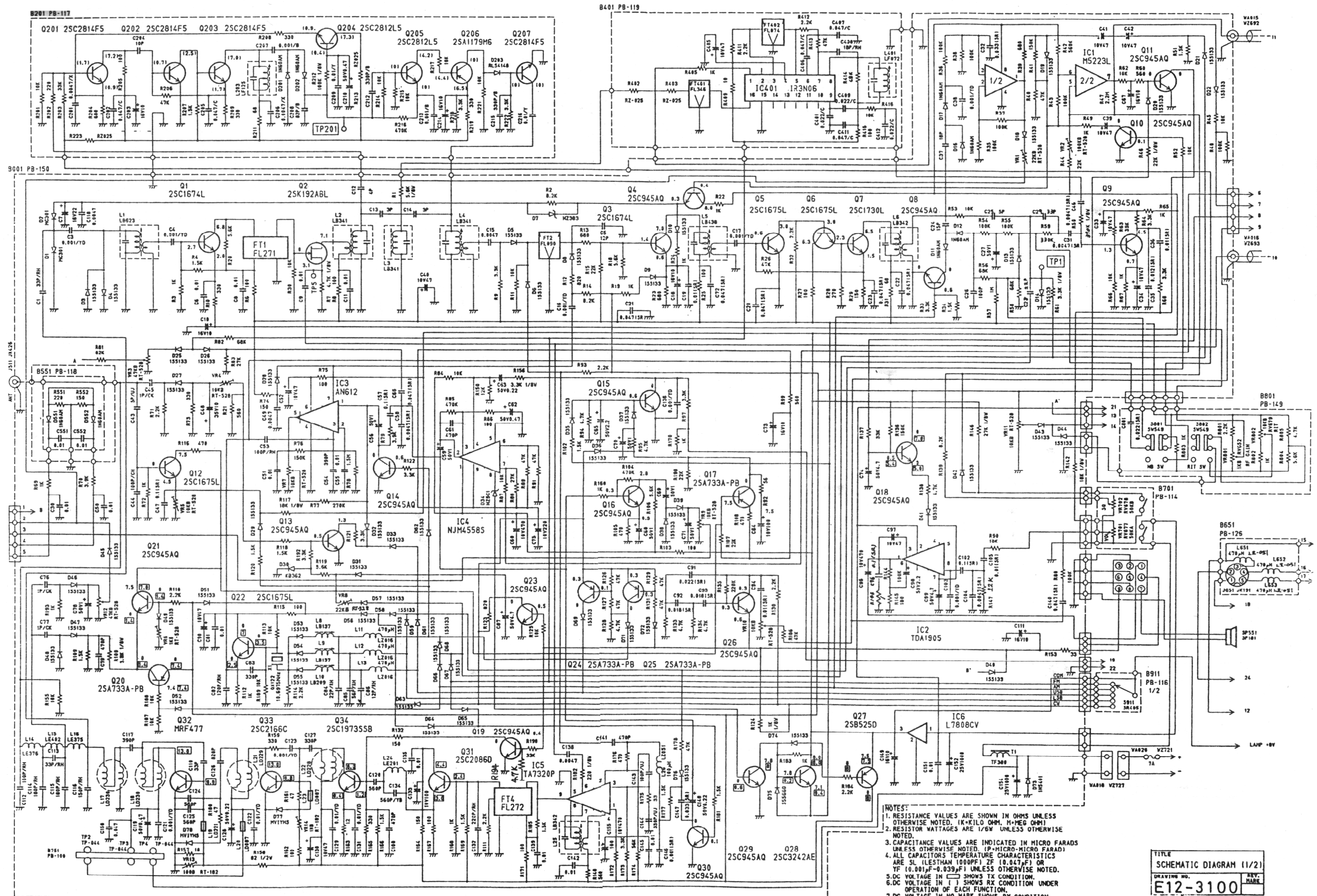
(No.)	(PARTS CODE)	(DESCRIPTION)		
1	FCSR221155Z	CHASSIS:REAR	ADC-12, PAINT BLACK	
2	GCMF192098Z	PANEL:FRONT	ABS, DARK GRAY PAINT SILK	
3	GCMZ492099Z	PLATE:DISPLAY	PMMA, SILK	
4	GHDZ320936Z	HOLDER:LCD	ABS, WHITE	
5	GNBC421145Z	KNOB:CHANNEL	ABS, DARK GRAY	
6	GNBP420940Z	BUTTON:CHANNEL	ABS, SATIN CR	x2
7	GNBP421146Z	KNOB:PUSH	ABS, DARK GRAY	x5
8	GNBP421147Z	KNOB:PUSH	ABS, NEUTRAL GRAY	x6
9	GNBY420939Z	KNOB	ABS, DARK GRAY	x6
10	HCMB221190A	CASE:BOTTOM	VINYTOP, SB-K08, 1.0T, BLACK	
11	HCMT221191Z	CASE:TOP	VINYTOP, SB-K08, 1.0T, BLACK	
12	HCSS321192B	CHASSIS:SIDE	SECC, 1.0T, NON OIL	x2
13	HHSK418834D	HEAT SINK	C5191R, 0.5T	
14	HSDC321193B	SHIELD CASE	SECC, 0.8T	
15	HSDP420091Z	SHIELD PLATE	SPTE, 0.3T	
16	HSDP421141Z	FRAME:LCD	SPTE, 0.3T, NON OIL	
17	HSDP421142Z	SHIELD PLATE	SPTE, 0.3T, NON OIL	
18	HSDP421143Z	PLATE:ESD (R)	SPTE, 0.3T, NON OIL	
19	HSDP421144Z	PLATE:ESD (L)	SPTE, 0.3T, NON OIL	
20	-Not Used-			
21	HSDP492100Z	SHIELD PLATE	SPTE, 0.3T NON OIL	
22	PLBC482147Z	LABEL:WARNING, DC CORD	PAPER, PRINT	
23	PLBF492101Z	LABEL:REAR	POLYESTER FILM 0.1T	
24	PLBZ422139Z	LABEL:INDICATION	POLYESTER FILM 0.05T	
25	RETC421189Z	PLATE:LCD	YUPO PAPER, 0.15T	
26	RUTC403865Z	WOOL-COATED PAPER:WOOL TACK	WOOL PAPER, 10*150*0.3T	x2
27	RZEB420092Z	INSULATION PLATE	PC, 0.2T	
28	-Not Used-			
29	RZEB492102Z	INSULATION PLATE	PVC 0.3T	
30	TSTD0150007	TERMINAL:LUG SOLDER	D3, 2X14	x2
31	TSTD0200003	SPRING PLATE:KNOB	D6, 02XL9, 53	x7
51	SSCW133005N	SCREW:FLAT HD +	M3X5 NI	x4
52	SSCW133005N	SCREW:FLAT HD +	M3X5 NI	x4
53	SSCW192012N	SCREW:BIND HD +	M2X12 NI	x2
54	SSCW193006N	SCREW:BIND HD +	M3X6 NI	x4
55	SSCW193006N	SCREW:BIND HD +	M3X6 NI	x2
56	SSCW193006N	SCREW:BIND HD +	M3X6 NI	x4
57	SSCW193008B	SCREW:BIND HD +	M3X8 BNI	x4
58	SSCW193008N	SCREW:BIND HD +	M3X8 NI	
59	SSCW343006B	SCREW:TAPTIGHT BIND HD +	M3X6 BNI	x8
60	SSCW343006N	SCREW:TAPTIGHT BIND HD +	M3X6 NI	x4
61	SSCW430030N	HEX NUT	M3, 0 NI	
62	SSCW480030Z	NUT:FLANGE	M3 ZMC	x4
63	SSCW803008N	SCREW:P TIGHT BIND HD +	D3X8 NI	x3
64	SSCW803008N	SCREW:P TIGHT BIND HD +	D3X8 NI	
65	SSCW803008N	SCREW:P TIGHT BIND HD +	D3X8 NI	x2
66	SSCW803008N	SCREW:P TIGHT BIND HD +	D3X8 NI	
101	GMSC480407Z	SCREW:MOUNTING	ABS, BLACK	x4
102	HBCT380105A	MOUNTING BRACKET	SPCC 1.6T PAINT DARK GRAY	
103	HMHG402919Z	HANGER:MICROPHONE	SPCC, 1.0T, NI	
104	SSCW293508N	SCREW:TAPPING ROUND HD +	D3, 5X8 NI	x2
105	SSCW295010N	SCREW:TAPPING ROUND HD +	D5X10 NI	x4
106	SSCW490050N	WASHER FLAT	D5 NI	x4
107	SSCW530035N	WASHER:LOCK	D3.5 NI	x2
108	SSCW540050N	WASHER:STAR	D5 NI	x4

NOTE : No. in this Mechanical Parts List corresponds  
with the number in Exploded view.

# 8. TECHNICAL DRAWINGS

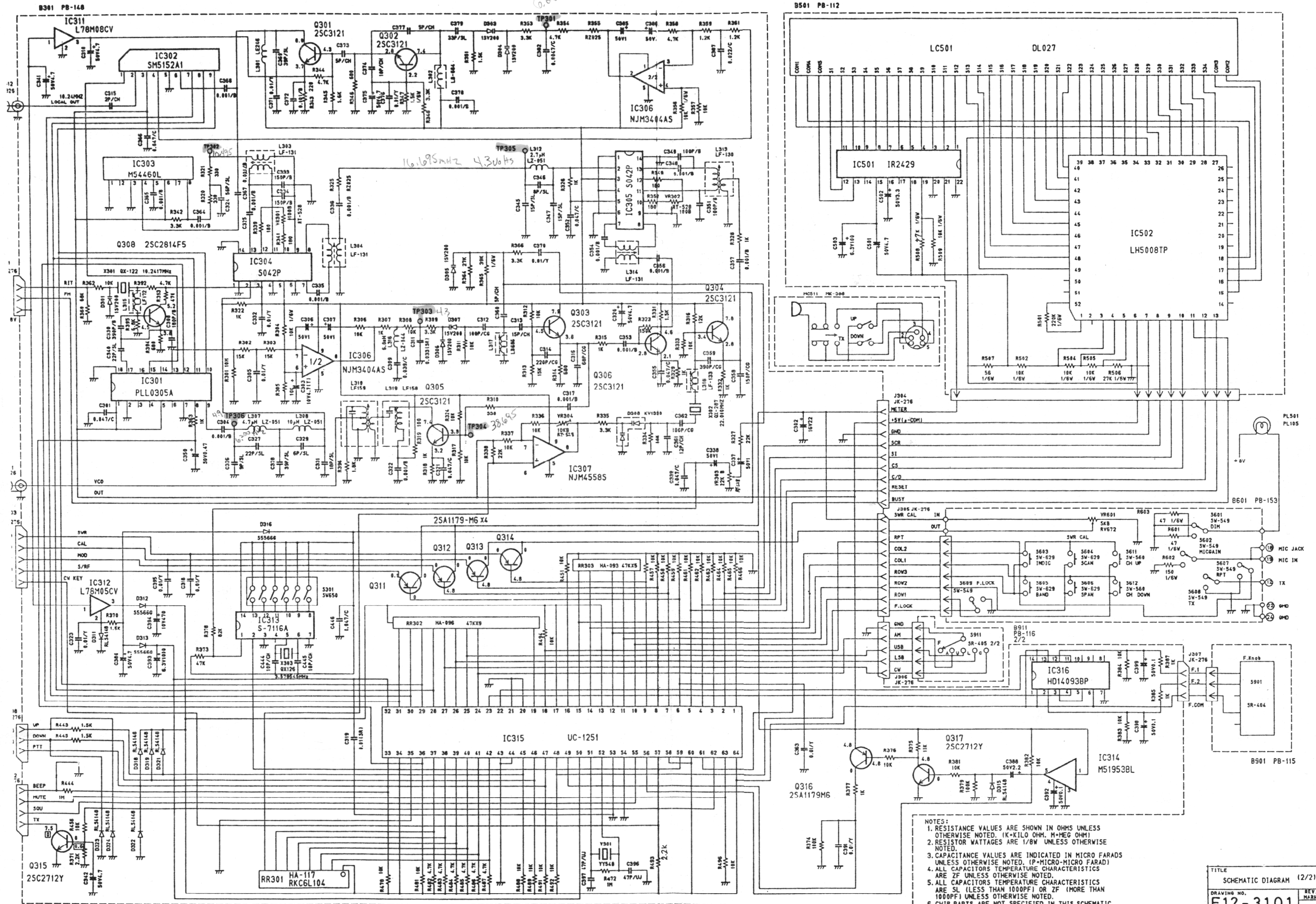






NOTES:  
 1. RESISTANCE VALUES ARE SHOWN IN OHMS UNLESS OTHERWISE NOTED. 1K=KILO OHM, M=MEG OHM  
 2. RESISTOR WATTAGES ARE 1/8W UNLESS OTHERWISE NOTED.  
 3. CAPACITANCE VALUES ARE INDICATED IN MICRO FARADS UNLESS OTHERWISE NOTED. (P=PICTO-FARAD)  
 4. ALL CAPACITORS TEMPERATURE CHARACTERISTICS ARE SL (LESS THAN 1000PF) ZF (0.047F) OR YF (0.001F-0.039F) UNLESS OTHERWISE NOTED.  
 5. DC VOLTAGE IN ( ) SHOWS TX CONDITION.  
 6. DC VOLTAGE IN [ ] SHOWS RX CONDITION UNDER OPERATION OF EACH FUNCTION.  
 7. DC VOLTAGE IN NO MARK SHOWS RX CONDITION.  
 8. RESISTOR WATTAGES ARE 1/8W FOR B201, B401.

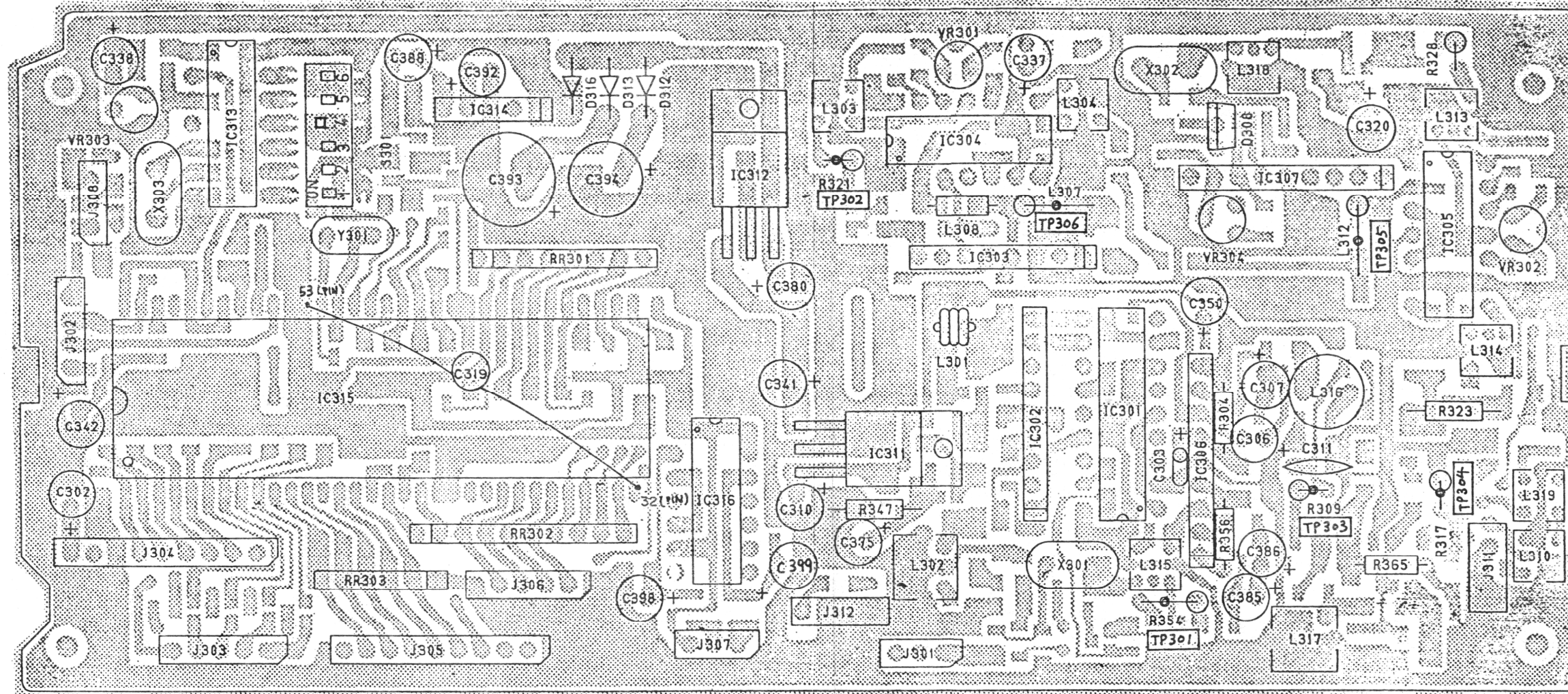
TITLE  
 SCHEMATIC DIAGRAM (1/2)  
 DRAWING NO. **E12-3100** REV. MARK



- NOTES:
1. RESISTANCE VALUES ARE SHOWN IN OHMS UNLESS OTHERWISE NOTED. (K=KILO OHM, M=MEG OHM)
  2. RESISTOR WATTAGES ARE 1/8W UNLESS OTHERWISE NOTED.
  3. CAPACITANCE VALUES ARE INDICATED IN MICRO FARADS UNLESS OTHERWISE NOTED. (P=PICO-FARAD)
  4. ALL CAPACITORS TEMPERATURE CHARACTERISTICS ARE ZF UNLESS OTHERWISE NOTED.
  5. ALL CAPACITORS TEMPERATURE CHARACTERISTICS ARE SL (LESS THAN 100PF) OR ZF (MORE THAN 100PF) UNLESS OTHERWISE NOTED.
  6. CHIP PARTS ARE NOT SPECIFIED IN THIS SCHEMATIC DIAGRAM. PLEASE REFER TO THE PARTS LIST FOR THE CHIP PARTS.

TITLE	
SCHEMATIC DIAGRAM (2/2)	
DRAWING NO.	REV.
E12-3101	MARK





C302	16V22
C303	10V4.7(T)
C306	50V1 (C-105)
C307	50V1 (C-105)
C310	50V4.7
C311	0.033(SR)
C320	50V4.7
C337	50V1
C338	50V1 (C-105)
C341	50V4.7
C342	50V4.7
C350	50V0.47
C375	50V4.7
C380	50V4.7
C385	50V1
C386	50V1 (C-105)
C388	50V2.2
C392	50V0.1(C-105)
C393	6.3V1000
C394	10V470
C398	50V0.1
C399	50V0.1
C319	0.01 (SR)

IC301	PLL0305A
IC302	SM5152A1
IC303	M54460L
IC304	S042P
IC305	S042P
IC306	NJM3404AS
IC307	NJM45585
IC311	L78M08CV
IC312	L78M05CV
IC313	S-7116A
IC314	M51953BL
IC315	UC-1251
IC316	HD14093BP

D308	KV1330
D312	S5566G
D313	S5566G
D316	S5566G

L301	LE246
L302	LB684
L303	LF131
L304	LF131
L307	LZ051 4.7µH
L308	LZ051 10µH
L310	LF159
L312	LZ051 2.7µH
L313	LF130
L314	LF131
L315	LF172
L316	LZ044 6.8µH
L317	LB686
L318	LF133
L319	LF158

VR301	100B (RT-528)
VR302	100B (RT-528)
VR303	22KB (RT-528)
VR304	10KB (RT-528)

J301	JK276 (3P)
J302	JK276 (4P)
J303	JK276 (5P)
J304	JK276 (9P)
J305	JK276 (9P)
J306	JK276 (5P)
J307	JK276 (3P)
J308	JK276 (3P)
J311	JK326
J312	JK326

S301	SW650
------	-------

X301	QX122 10.2±17MHz
X302	QX287 22.00MHz
X303	QX126 3.579545MHz

R304	10K
R309	3.3K 1/8W
R317	10K 1/8W
R321	330 1/8W
R323	150K 1/8W
R328	1K 1/8W
R347	1.5K
R354	4.7K 1/8W
R356	10K
R365	39K

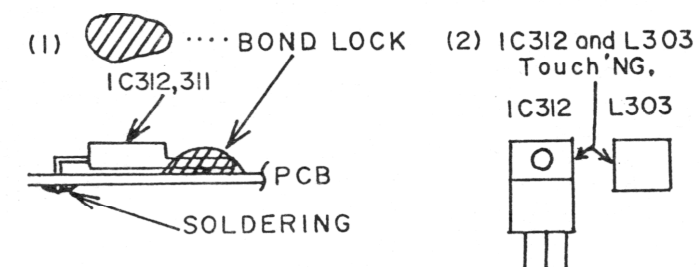
  

RR301	HA117
RR302	HA096
RR303	HA093

Y301	YY548
------	-------

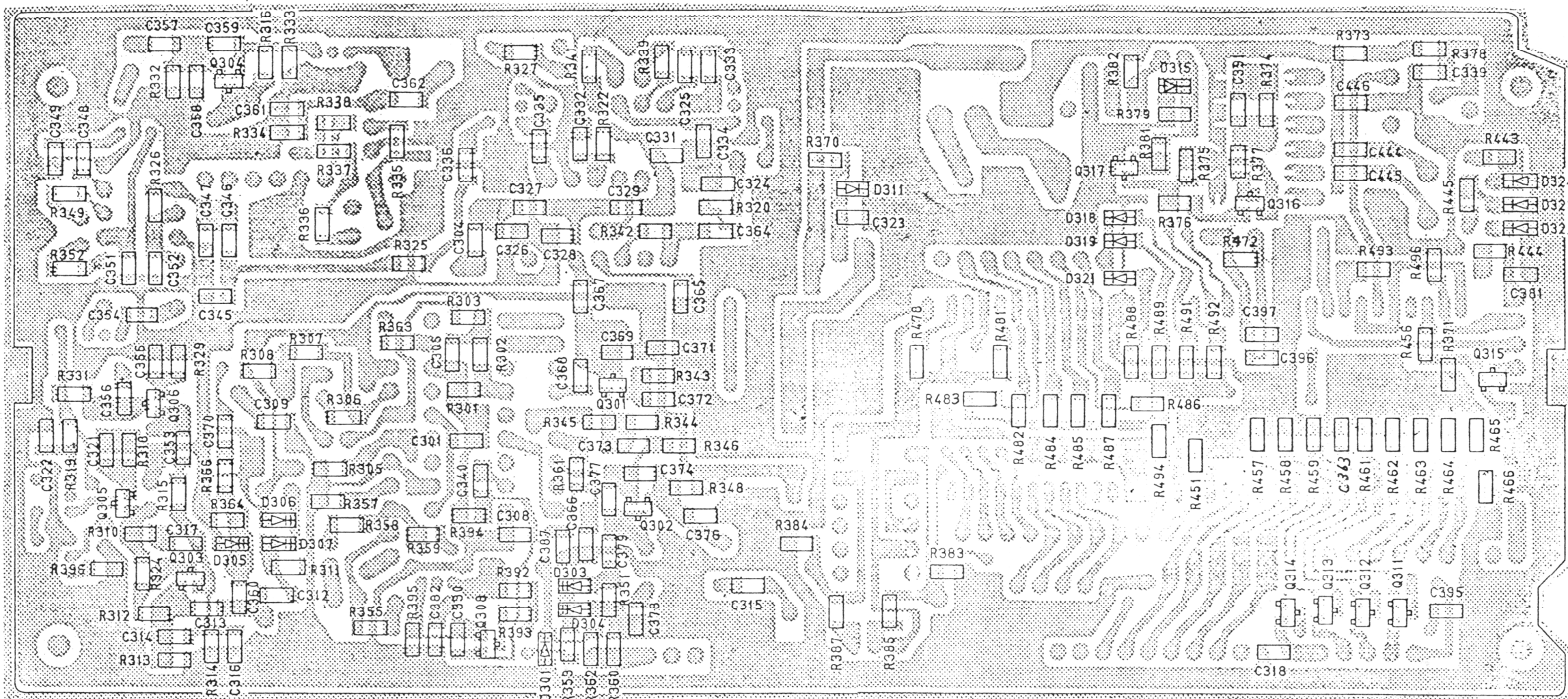
~ Replacement ~



- NOTES:
1. RESISTANCE VALUES ARE SHOWN IN OHMS UNLESS OTHERWISE NOTED. (K=KILO OHM, M=MEG OHM)
  2. RESISTOR WATTAGES ARE 1/8W UNLESS OTHERWISE NOTED.
  3. CAPACITANCE VALUES ARE INDICATED IN MICRO FARADS UNLESS OTHERWISE NOTED. (P=MICRO-MICRO FARAD)

TITLE MICOM PCB  
PARTS ASS'Y TOP VIEW  
DRAWING NO.  
**E23-8314**





D301	15V200
D303	15V200
D304	15V200
D305	15V200
D306	15V200
D307	15V200
D311	RLS4148
D315	RLS4148
D318	RLS4148
D319	RLS4148
D321	RLS4148
D322	RLS4148
D323	RLS4148
D324	RLS4148

Q301	25C3121
Q302	25C3121
Q303	25C3121
Q304	25C3121
Q305	25C3121
Q306	25C3121
Q308	25C2814F5
Q311	25A1179-M6
Q312	25A1179-M6
Q313	25A1179-M6
Q314	25A1179-M6
Q315	25C2712Y
Q316	25A1179-M6
Q317	25C2712Y

R301	10M
R302	15K
R303	15K
R307	7K
R305	10K
R306	10K
R308	10K
R310	330
R311	10K
R312	10K
R313	15K
R314	680
R315	1K
R316	12K
R318	1K
R319	100
R320	330
R322	1K
R324	10K
R325	RZ025
R326	1K
R327	22K
R329	1K
R331	1.5K
R332	1K
R333	10K
R334	10K
R335	3.3K
R336	10K
R337	10K
R339	180

R341	180
R342	3.3K
R343	220
R344	4.7K
R345	5.6K
R346	680
R348	3.3K
R349	180
R351	1.5K
R352	180
R353	3.3K
R355	RZ025
R357	10K
R358	4.7K
R359	1.2K
R360	68K
R361	1.2K
R362	10K
R363	1K
R364	27K
R366	3.3K
R370	1.5K
R371	2.2K
R373	47K
R374	100K
R375	10K
R376	10K
R377	1K
R378	82K
R379	100K

R381	10K
R382	10K
R383	10K
R384	10K
R385	1K
R387	1K
R392	4.7K
R393	470
R394	680
R395	6.8K
R396	1.8K
R443	1.5K
R444	1M
R445	1.5K
R451	10K
R456	10K
R457	10K
R458	10K
R459	10K
R461	10K
R462	10K
R463	10K
R464	10K
R465	10K
R466	10K
R478	10K
R481	10K
R482	4.7K
R483	4.7K

R484	4.7K
R485	4.7K
R486	4.7K
R487	4.7K
R488	10K
R489	10K
R491	10K
R492	10K
R493	2.2K
R494	10K
R496	10K
R338	2.2K
R472	1M
C301	0.047/C *
C304	0.001/B
C305	0.01/Y
C308	180P/B
C309	0.039/C *
C312	100P/CG *
C313	15P/CH
C314	220P/CG *
C315	2P/CH
C316	68P/CG *
C317	0.001/B
C318	0.01/Y
C321	0.047/C *
C322	0.001/B
C323	0.01/Y

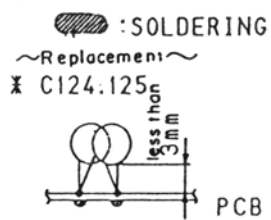
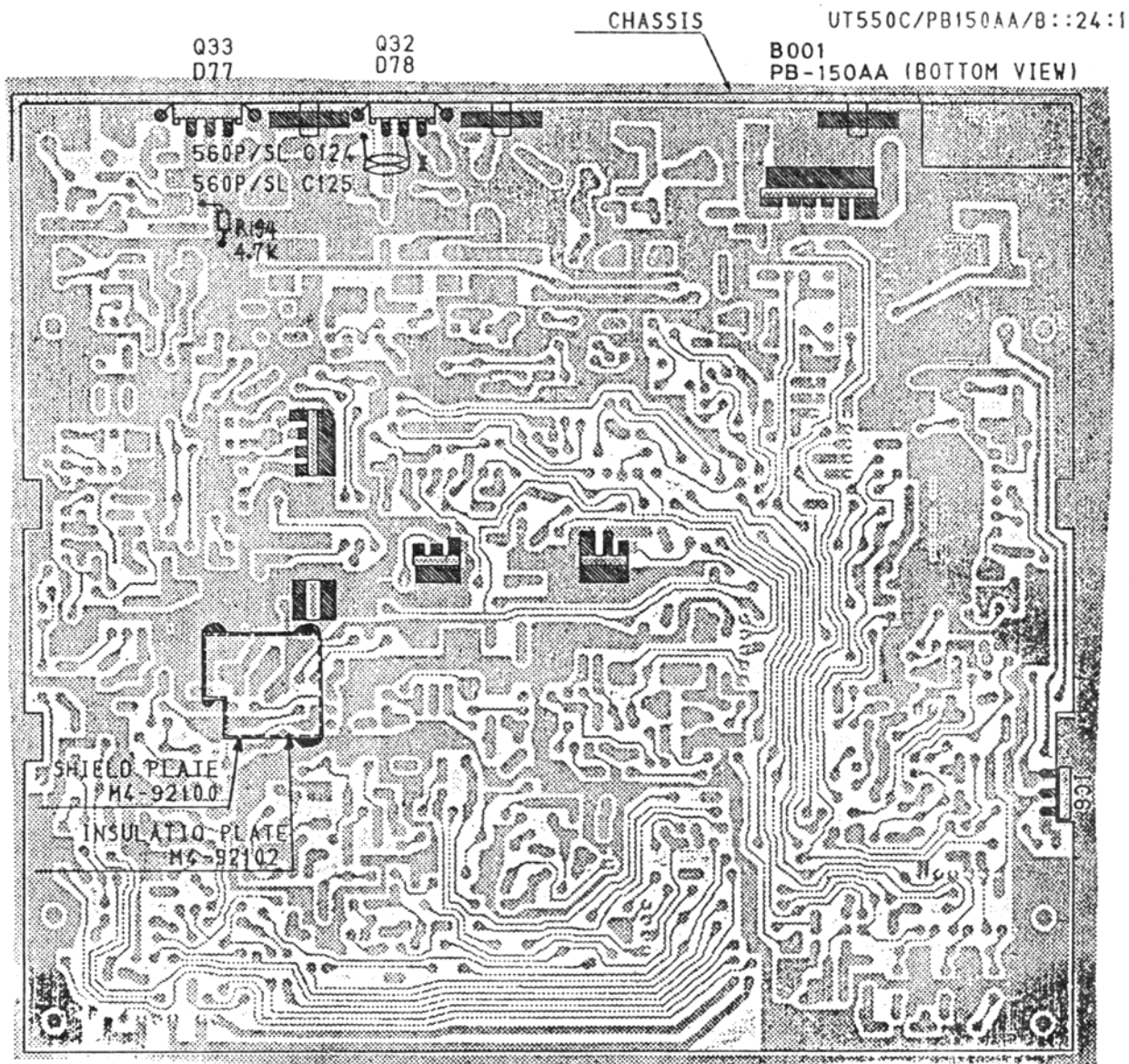
C324	56P/SL
C325	0.001/B
C326	9P/SL
C327	22P/SL
C328	39P/SL
C329	6P/SL
C330	390P/B
C331	18P/SL
C332	0.01/Y
C333	150P/B
C334	150P/B
C335	0.001/B
C336	0.001/B
C339	0.047/C *
C340	22P/SL
C345	15P/SL
C346	8P/SL
C347	15P/SL
C348	0.001/B
C349	100P/B
C351	100P/B
C352	0.047/C *
C353	0.001/B
C354	0.001/B
C355	0.047/C *
C356	0.001/B
C357	0.001/B
C358	150P/CG *
C359	390P/CG *
C360	5P/CH
C361	12P/CH

C362	100P/CG *
C364	0.001/B
C365	0.001/B
C366	0.047/C *
C367	0.001/B
C368	0.001/B
C369	39P/SL
C370	0.01/Y
C371	0.01/Y
C372	0.001/B
C373	5P/CH
C374	10P/CH
C376	0.01/Y
C377	5P/CH
C378	0.001/B
C379	33P/SL
C381	0.022/C *
C382	0.0047/C *
C387	0.022/C *
C391	0.01/Y
C395	0.01/Y
C396	47P/UJ *
C397	47P/UJ *
C444	10P/CH
C445	10P/CH
C446	0.047/C *
C363	0.01/Y

\* M/L (3216)

- NOTES:  
 1. RESISTANCE VALUES ARE SHOWN IN OHMS UNLESS OTHERWISE NOTED. (K=KILO OHM, M=MEG OHM)  
 2. RESISTOR WATTAGES ARE 1/8W UNLESS OTHERWISE NOTED.  
 3. CAPACITANCE VALUES ARE INDICATED IN MICRO FARADS UNLESS OTHERWISE NOTED. (P=MICRO-MICRO FARAD)

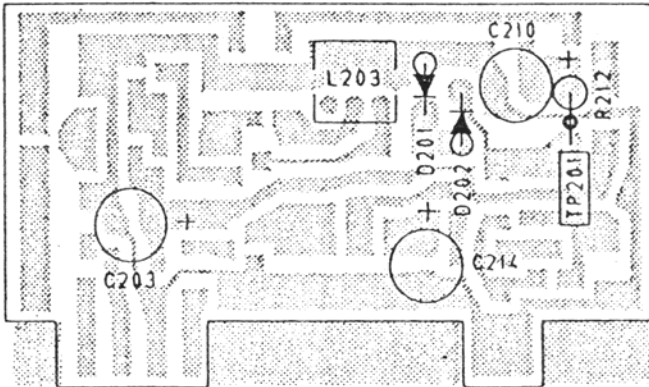
TITLE MICOM PCB  
 PARTS ASS'Y BOTTOM VIEW  
 DRAWING NO.  
**E23-8315**



NOTES:  
 1. CAPACITANCE VALUES ARE INDICATED IN MICRO FARADS UNLESS OTHERWISE NOTED. (P= MICRO-MICRO FRADS)

TITLE	PARTS LAYOUT BOTTOM VIEW
DRAWING NO.	E24-8316

B201 PB-117AB (TOP VIEW)



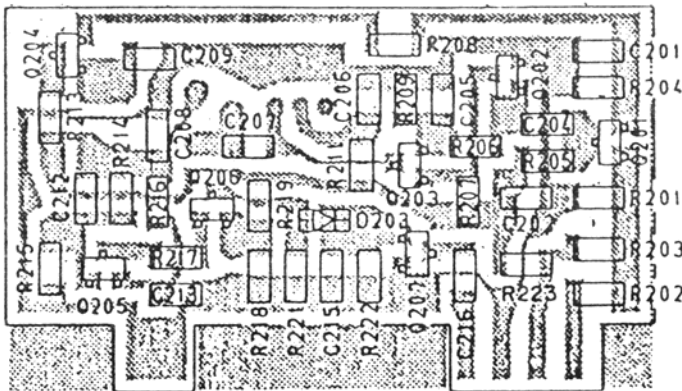
C203	16V10 C-105
C210	50V0.47 C-105
C214	16V10 C-105

D201	1N60AM
D202	1N60AM

R212	100K

L203	LF125

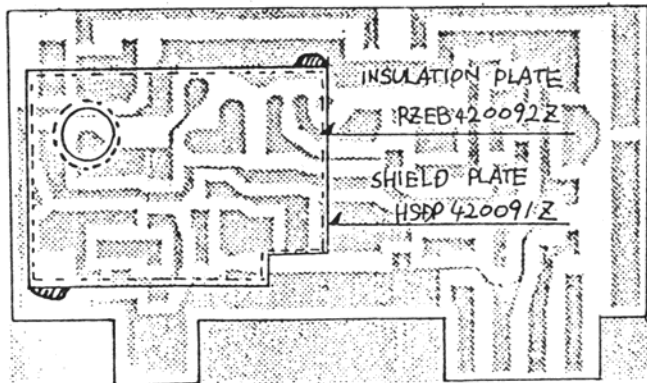
B201 (BOTTOM VIEW)



R201	10K
R202	220
R203	33K
R204	680
R205	100
R206	47K
R207	1.5K
R208	330
R209	330
R211	68
R213	RZ025
R214	10K
R215	10K
R216	470K
R217	10K
R218	3.3K
R219	330
R221	10K
R222	3.3K
R223	RZ-025

C201	0.0047/X
C202	0.047/C
C204	10P/5L
C205	0.047/C
C206	0.0047/X
C207	0.001/B
C208	82P/B
C209	0.01/Y
C212	330P/B
C213	0.001/B
C215	330P/B
C216	0.01/Y

Q201	25C2814F5
Q202	25C2814F5
Q203	25C2814F5
Q204	25C2812L5
Q205	25C2812L5
Q206	25A1179M6
Q207	25C2814F5



⊙ SOLDERING

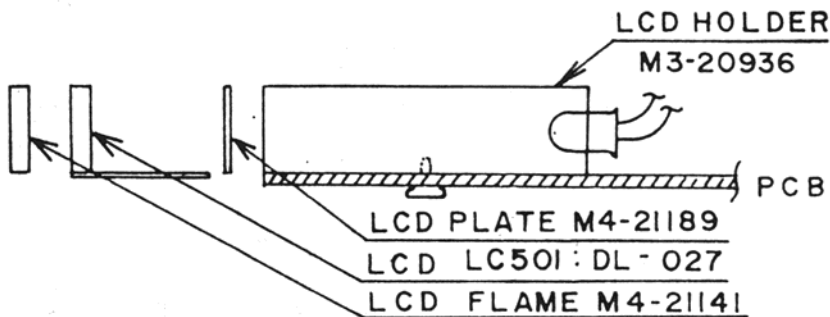
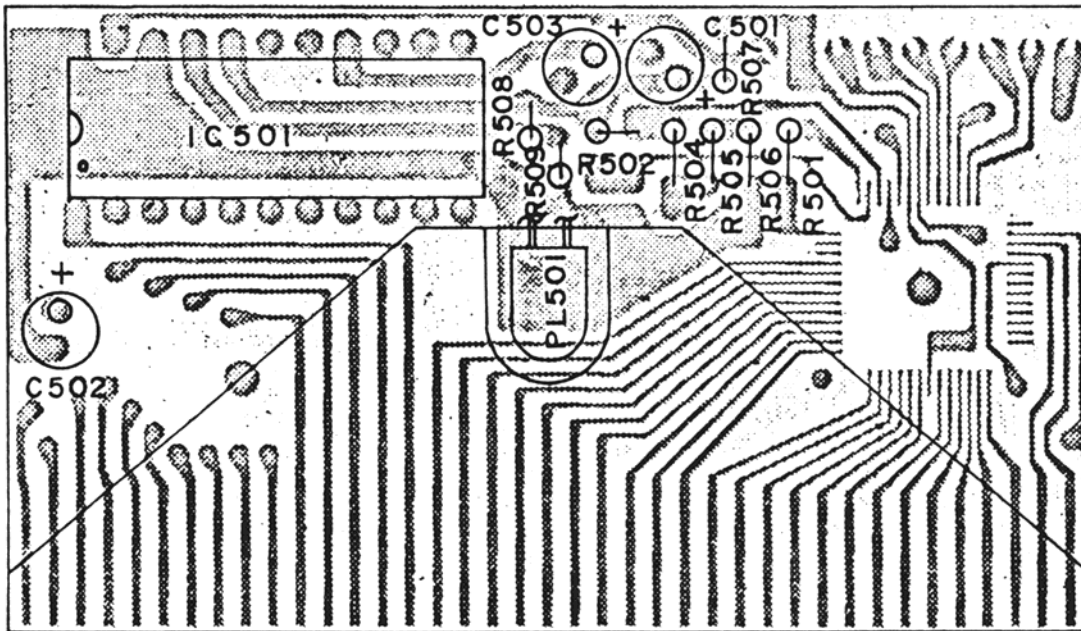
NOTES:

1. RESISTANCE VALUES ARE SHOWN IN OHMS UNLESS OTHERWISE NOTED. 1K-XILO OHM. M-MEG OHM!
2. RESISTOR WATTAGES ARE 1/8W UNLESS OTHERWISE NOTED.
3. CAPACITANCE VALUES ARE INDICATED IN MICRO FARADS UNLESS OTHERWISE NOTED. 1P-MICRO-MICRO FARAD!

TITLE	NB PCB
PARTS ASSEMBLY	
E24-8317	REV. MARK



B501 PB-112AA (TOP VIEW)



IC 501	IR2429

R501	220K
R502	10K
R504	10K
R505	10K
R506	27K
R507	56
R508	47K
R509	10K

LC501	DL-027

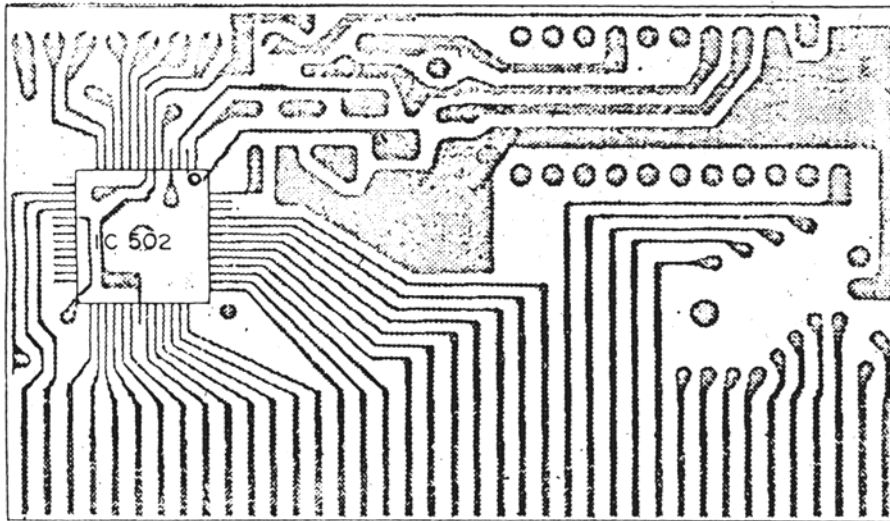
C501	50V 4.7
C502	50V 3.3C-105
C503	6.3V 100

PL501	PL105

- NOTES:
1. RESISTANCE VALUES ARE SHOWN IN OHMS UNLESS OTHERWISE NOTED. (K=KILO OHM)
  2. RESISTOR WATTAGES ARE 1/6W UNLESS OTHERWISE NOTED.
  3. CAPACITANCE VALUES ARE INDICATED IN MICRO FARADS UNLESS OTHERWISE NOTED.

TITLE LCD PCB(TOP)	
PARTS ASSEMBLY	
DRAWING NO.	REV
E 24-8319	3/8/82

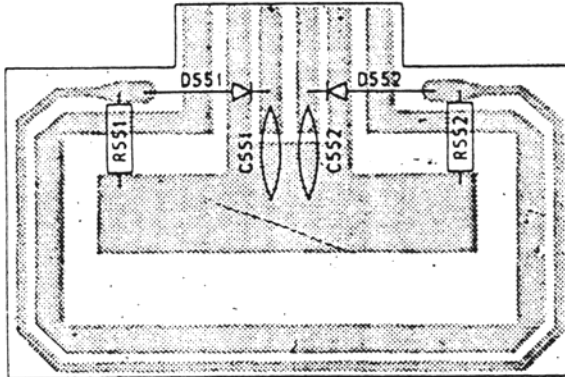
B50I PB-112AA (BOTTOM VIEW)



IC502	LH5008TP

TITLE LCD PCB (BOTTOM)	
PARTS ASSEMBLY	
DRAWING NO.	REV. MARK
E24-8320	

B55I PB118AA (TOP VIEW)



R551	220
R552	150

C551	0.01
C552	0.01

D551	1N60 AM
D552	1N60 AM

- NOTES:
1. RESISTANCE VALUES ARE SHOWN IN OHMS UNLESS OTHERWISE NOTED. (K=KILO OHM, M=MEG OHM)
  2. RESISTOR WATTAGES ARE 1/6W UNLESS OTHERWISE NOTED.
  3. CAPACITANCE VALUES ARE INDICATED IN MICRO FARAD UNLESS OTHERWISE NOTED. (P=MICRO-MICRO FARAD)
  4. ALL CAPACITORS TEMPERATURE CHARACTERISTICS ARE YF UNLESS OTHERWISE NOTED.

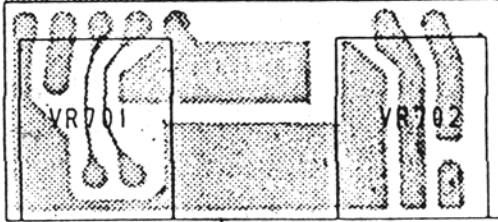
TITLE SWR PCB	
PARTS ASSEMBLY TOP VIEW	
DRAWING NO.	REV. MARK
E24-8321	





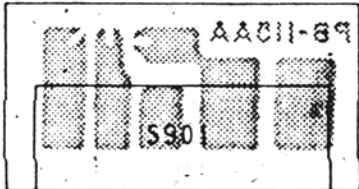


B701 PB-114AB (SQ PCB)



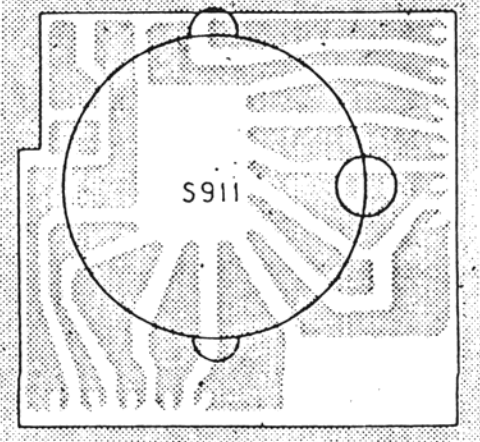
VR701	RV677 50KA
VR702	RV678 50KB

B901 PB-115AA (CH SW PCB)



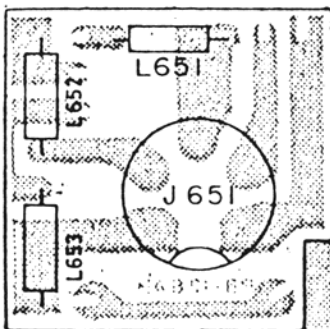
S901	SR404

B911 PB-116BA (MODE SW PCB)



S911	SR405

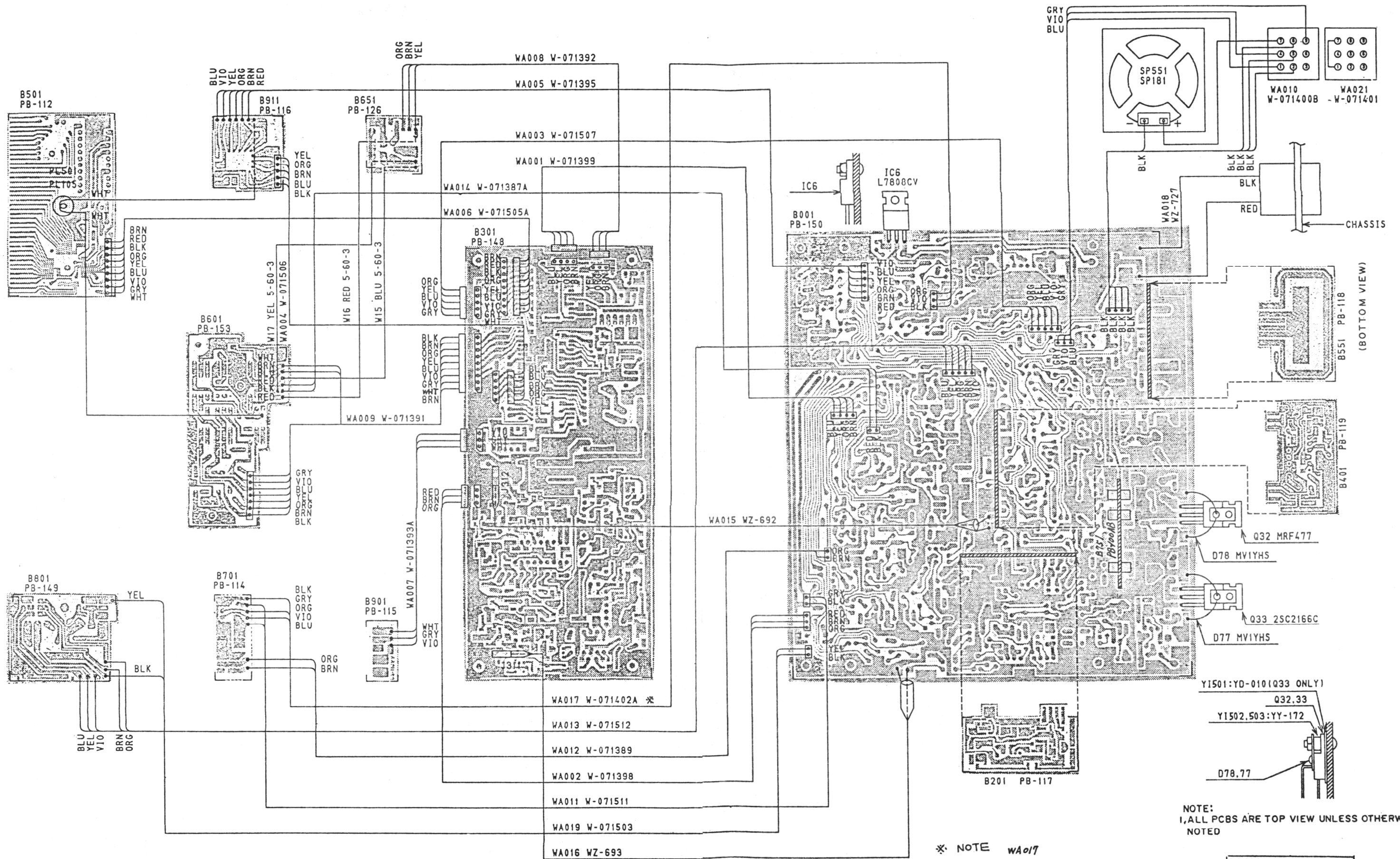
B651 PB 126AB (MIC PCB)



J 651	JK191
L 651	LZ051 470 $\mu$ H
L 652	LZ051 470 $\mu$ H
L 653	LZ051 470 $\mu$ H

NOTE:  
1. RESISTANCE VALUES ARE SHOWN IN OHMS UNLESS OTHERWISE NOTED. (K=KILD OHM. M=MEG OHM)

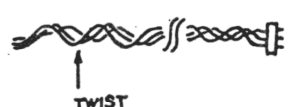
TITLE PARTS ASSEMBLY TOP VIEW	
E24-8324	REV. MARK



(BOTTOM VIEW)

NOTE:  
I, ALL PCBs ARE TOP VIEW UNLESS OTHERWISE NOTED

\* NOTE WA017



TITLE	WIRING DIAGRAM
DRAWING NO.	E 32-3078

UT550C/WIR.2/2::24:1

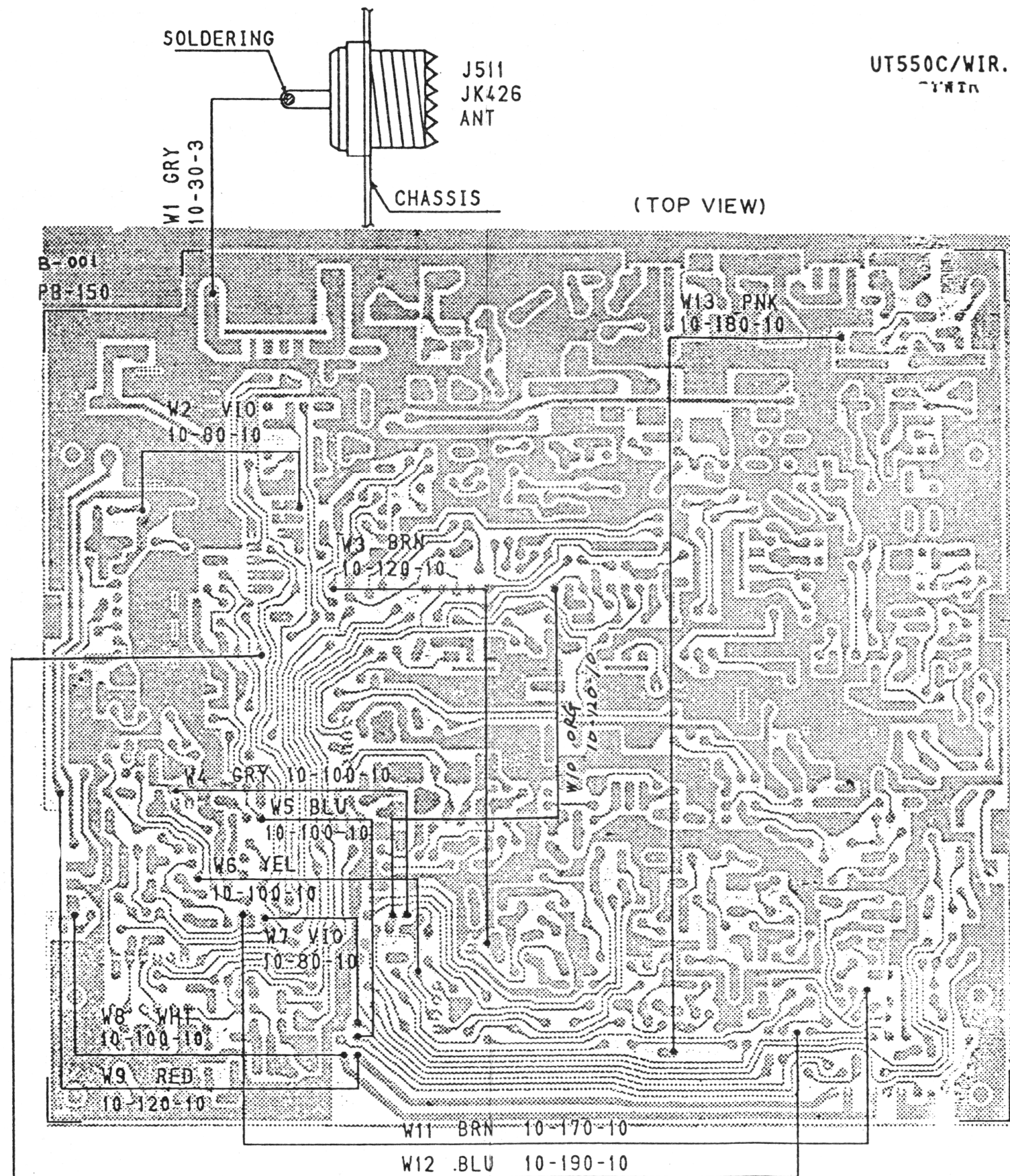
717111

SOLDERING

J511  
JK426  
ANT

CHASSIS

(TOP VIEW)



TITLE
WIRING DIAGRAM
DRAWING NO.
E33-3079