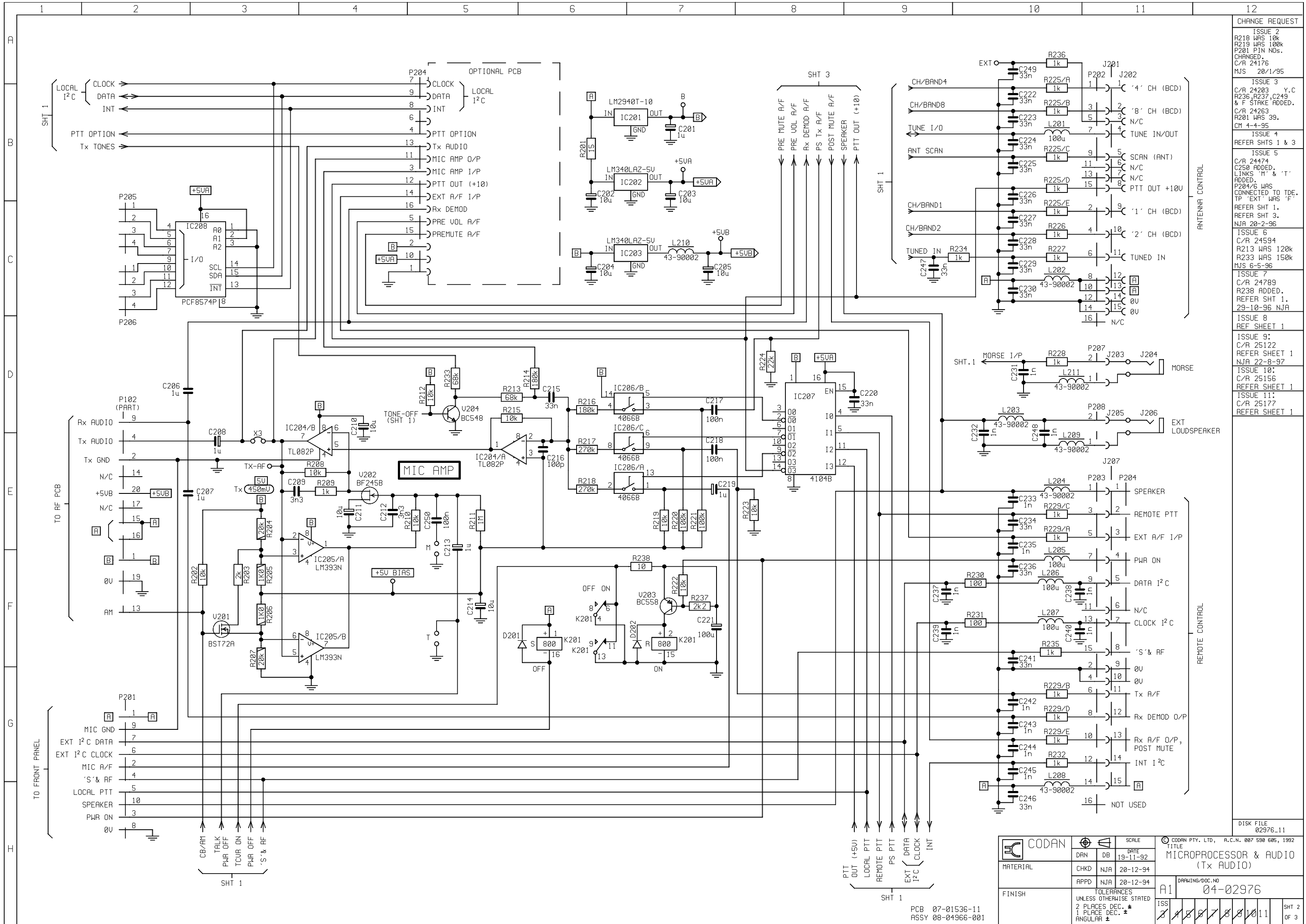


CHANGE REQUEST	
ISSUE 2	REF SHTS 2 & 3
ISSUE 3	C/R 24203 Y.C REF SHTS 2 AND 3
ISSUE 4	C/R 24276 REFER SHT 3
ISSUE 5	C/R 24295 CHGS IC101, & IC103. C/R 24310 REFER SHT 3 MJS 7-7-95
ISSUE 6	C/R 24474 SIGNAL A17 WAS TDE. C109 WAS CONNECTED TO GND R159 MOVED. R149 WAS CONNECTED TO +5VA. REFER SHT 2 REFER SHT 3 NJA 20-2-96
ISSUE 7	C/R 24789 L03 DELETED. REFER SHT 2. 29-10-96 NJA
ISSUE 8	D111 & R161 ADDED. C/R 24813 NJA 22-11-96
ISSUE 9	C/R 25122 C135 (1u SMD) ADDED. NJA 22-8-97
ISSUE 10	C/R 25156 C114, D105, D111 R124-R126, R154 R161 DELETED. C136 & IC117 ADDED. PCB WAS ISSUE 09. NJA 26-9-97
ISSUE 11	C/R 25177 PCB WAS ISS 10 4-11-97

CODAN		SCALE	CODAN PTY. LTD., A.C.N. 007 590 605, 1992
MATERIAL	CHKD NJA	DATE	TITLE
FINISH	APPD NJA	20-12-94	MICROPROCESSOR & AUDIO (MICRO & I/O)
TOLERANCES UNLESS OTHERWISE STATED		DRAWING/DOC NO	
2 PLACES DEC. ±		A1 04-02976	
1 PLACE DEC. *		ISS	
ANGULAR ±		SHT 1	
		OF 3	



CHANGE REQUEST	
ISSUE 2	R218 WAS 10k R219 WAS 100k P201 PIN NOS. CHANGED. C/R 24176 MJS 20/1/95
ISSUE 3	C/R 24203 Y.C R236, R237, C249, & F STRIKE ADDED. C/R 24263 R201 WAS 39. CM 4-4-95
ISSUE 4	REFER SHTS 1 & 3
ISSUE 5	C/R 24474 C250 ADDED. LINKS 'M' & 'T' ADDED. P204/S WAS CONNECTED TO TDE. TP 'EXT' WAS 'F'. REFER SHT 1. REFER SHT 3. NJA 20-2-96
ISSUE 6	C/R 24594 R213 WAS 120k R233 WAS 150k MJS 6-5-96
ISSUE 7	C/R 24789 R238 ADDED. REFER SHT 1. 29-10-96 NJA
ISSUE 8	REF SHEET 1
ISSUE 9:	C/R 25122 REFER SHEET 1 NJA 22-8-97
ISSUE 10:	C/R 25156 REFER SHEET 1
ISSUE 11:	C/R 25177 REFER SHEET 1

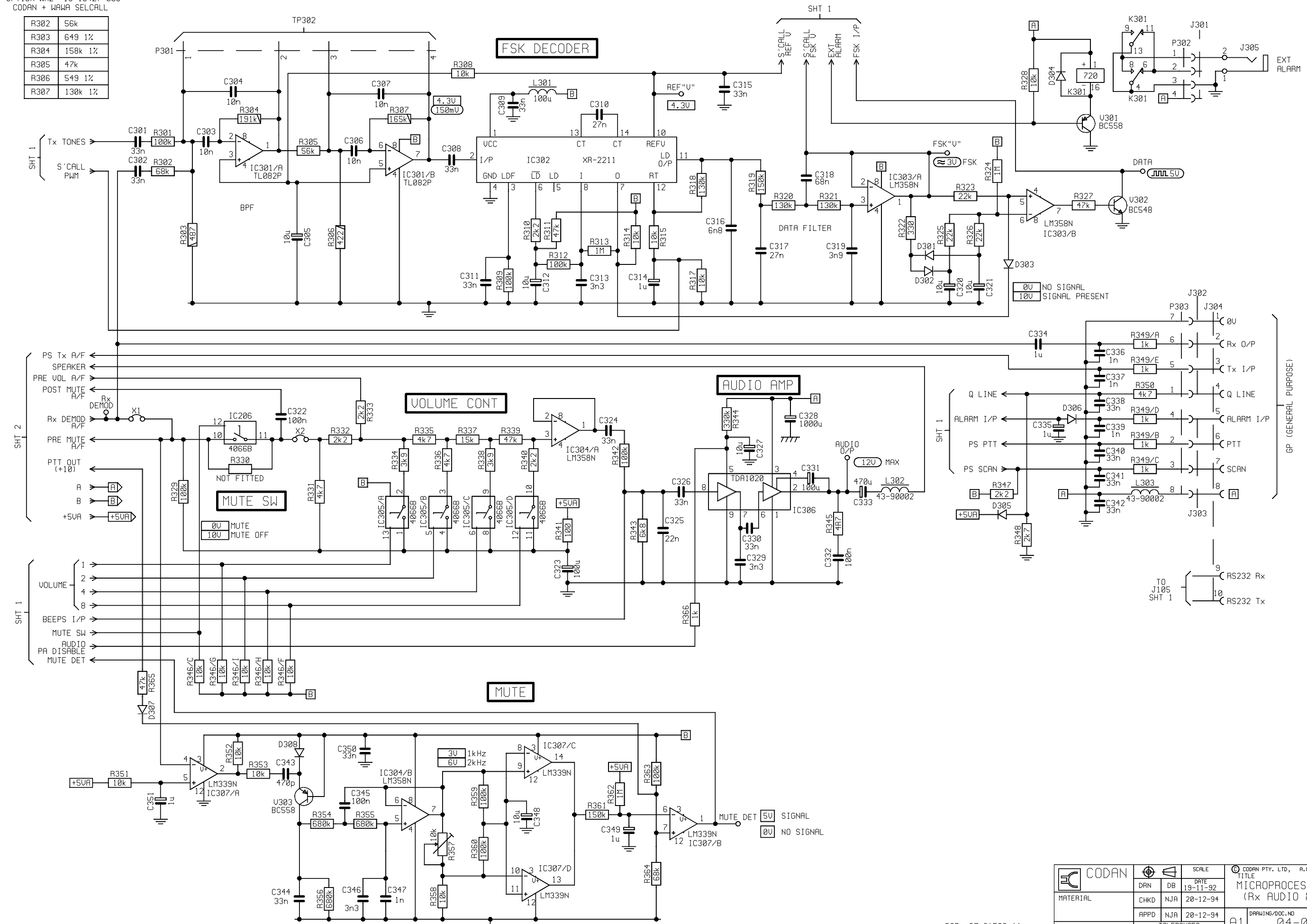
DISK FILE	
02976_11	

	SCALE	DATE	CODAN PTY. LTD., A.C.N. 007 530 605, 1992 TITLE <b>MICROPROCESSOR &amp; AUDIO</b> (Tx AUDIO)
	DRAWN	19-11-92	
MATERIAL	CHKD	NJA	20-12-94
FINISH	APPD	NJA	20-12-94
TOLERANCES UNLESS OTHERWISE STATED 2 PLACES DEC. * 1 PLACE DEC. * ANGULAR ±		ISS	04-02976
		SHT 2	OF 3

PCB 07-01536-11  
ASSY 08-04966-001

OPTION WA2 15-10427-000  
CODAN + WAWA SELCALL

R302	56k
R303	649 1%
R304	158k 1%
R305	47k
R306	549 1%
R307	130k 1%



CHANGE REQUEST

ISSUE 2  
OPTION WA2  
TABLE ADDED.  
C/R 24176  
MJS 20/1/95

ISSUE 3  
R365 WAS 100k.  
D307 CATHODE WAS  
CONNECTED TO  
IC307 PIN 5.  
C/R 24203  
C M 4-4-95

ISSUE 4  
R361 WAS 3k9  
C/R 24276  
J306 (EXT ALARM)  
ADDED.  
C/R 24310  
MJS 7-7-95

ISSUE 5  
C/R 24474  
C351 ADDED  
R361 WAS 100k  
REFER SHT 1.  
REFER SHT 2.  
NJA 20-2-96

ISSUE 6  
C/R 24594  
REFER SHT 2  
MJS 6-5-96

ISSUE 7  
C/R 24789  
REFER SHT'S  
1 & 2

ISSUE 8  
REF SHEET 1

ISSUE 9:  
C/R 25122  
REFER SHEET 1  
NJA 22-8-97

ISSUE 10:  
C/R 25156  
REFER SHEET 1

ISSUE 11:  
C/R 25177  
REFER SHEET 1

GP (GENERAL PURPOSE)

TO J105 SHT 1

RS232 Rx

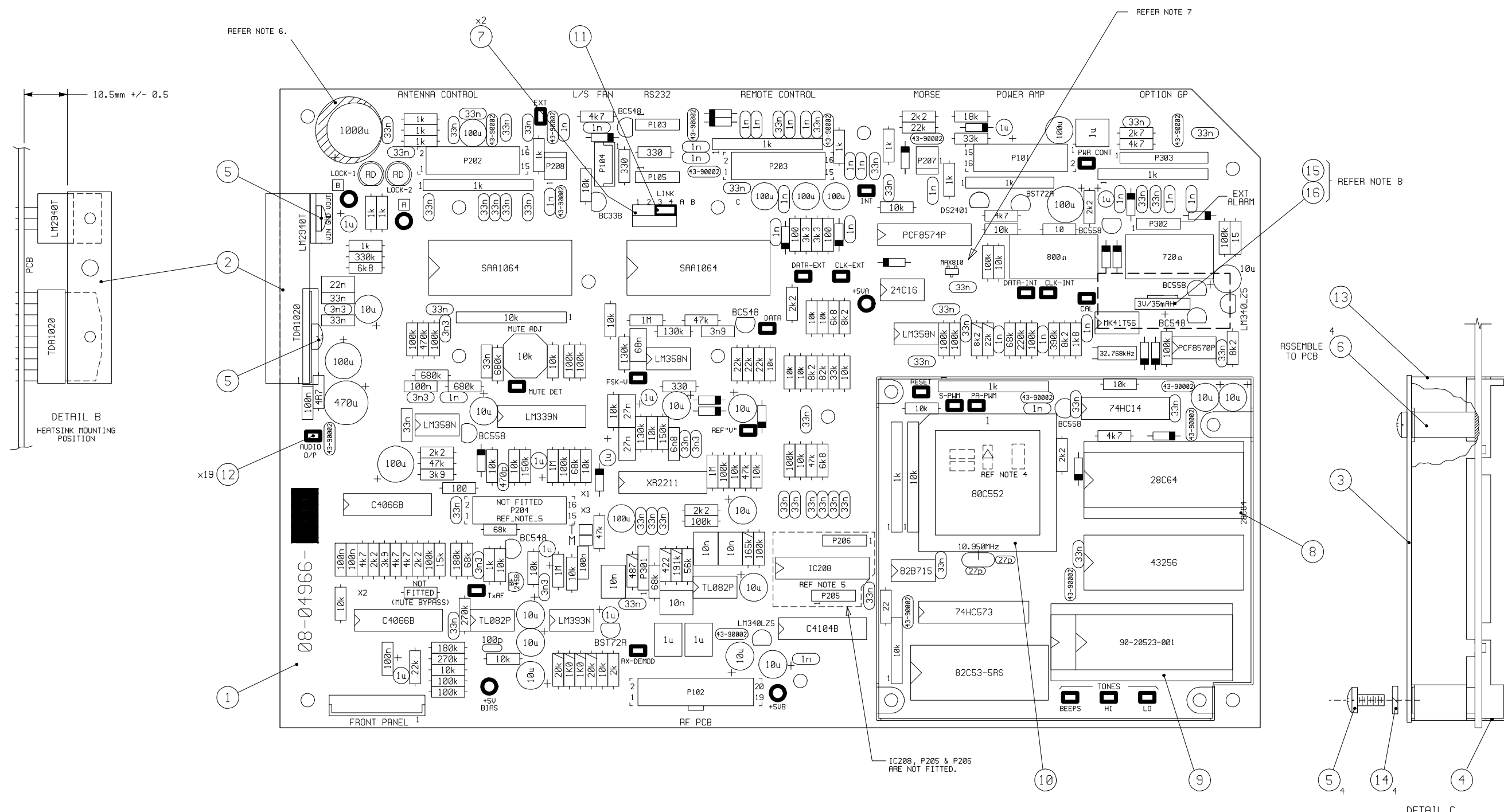
RS232 Tx

PCB 07-01536-11  
ASSY 08-04966-001

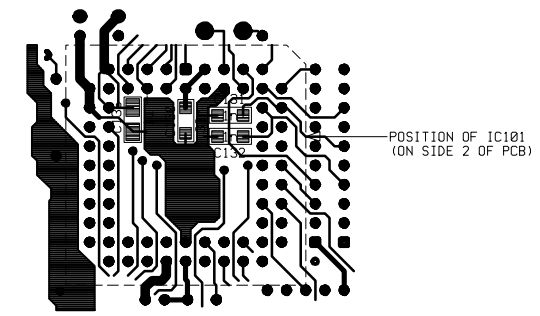
MATERIAL	DRN	DB	SCALE	CODAN PTY. LTD., A.C.N. 007 590 605, 1992
	CHKD	NJA	DATE 19-11-92	
FINISH	APPD	NJA	DATE 20-12-94	DRAWING/DOC. NO 04-02976
	TOLERANCES UNLESS OTHERWISE STATED			
2 PLACES DEC. ±			1 PLACE DEC. ±	ANGULAR ±
				SHT 3 OF 3



CHANGE REQUEST	
ISSUE B	DETAIL A ADDED. TO SHTS 1 & 2. C/R 23859 PCB WAS ISSUE 1
ISSUE C	R218 WAS 10k R219 WAS 100k P207 ROTATED. P201 CHANGED. SOLDERMASK FOR BOTTOM SHIELD MODIFIED. C/R 24176 MJS 25/1/95
ISSUE 2	20-3-95 C/R 24203 Y.C R236,R237,C249,F ADDED. R237 WAS 100k. C/R 24263 Y.C R201 WAS 39. CM 4-4-95
ISSUE 3	C/R 24276 R361 WAS 3k9 NJA 11-7-95
ISSUE 4	C/R 24474 R160(8k2), C250(100n), C351(1u) & LINKS 'H' & 'T' ADDED. NJA 20-2-95
ISSUE 5	C/R 24594 R213 WAS 120k R233 WAS 150k MJS 6-5-96
ISSUE 6	C/R 24789 L103 DELETED. R238(10R) ADDED. 31-10-96 NJA
ISSUE 7	D111 & R161 ADDED. C/R 24813 NJA 22-11-96
ISSUE 8	PCB WAS ISS 7. C/R 25023 NOTE 6 ADDED. C/R 25022 ITEM 14 ADDED. NJA 22-8-97
ISSUE 9	C/R 25122 C135(1u SMD) ADDED TO SIDE 1 NOTE 4 & DETAIL A AMENDED. C/R 25026
ISSUE 10	C/R 25156 C114,D105,D111, R124-R126,R154 & R161 DELETED. C136 & IC117 ADDED. BCL 14-10-97
ISSUE 11	C/R 25177 PCB WAS ISSUE 10 5-11-97 MRU
ISSUE 12	NOTE 8 ADDED. ITEMS 15 & 16 ADDED. C/R 25362 US 9-3-99
FILE NAME	07\01536_11

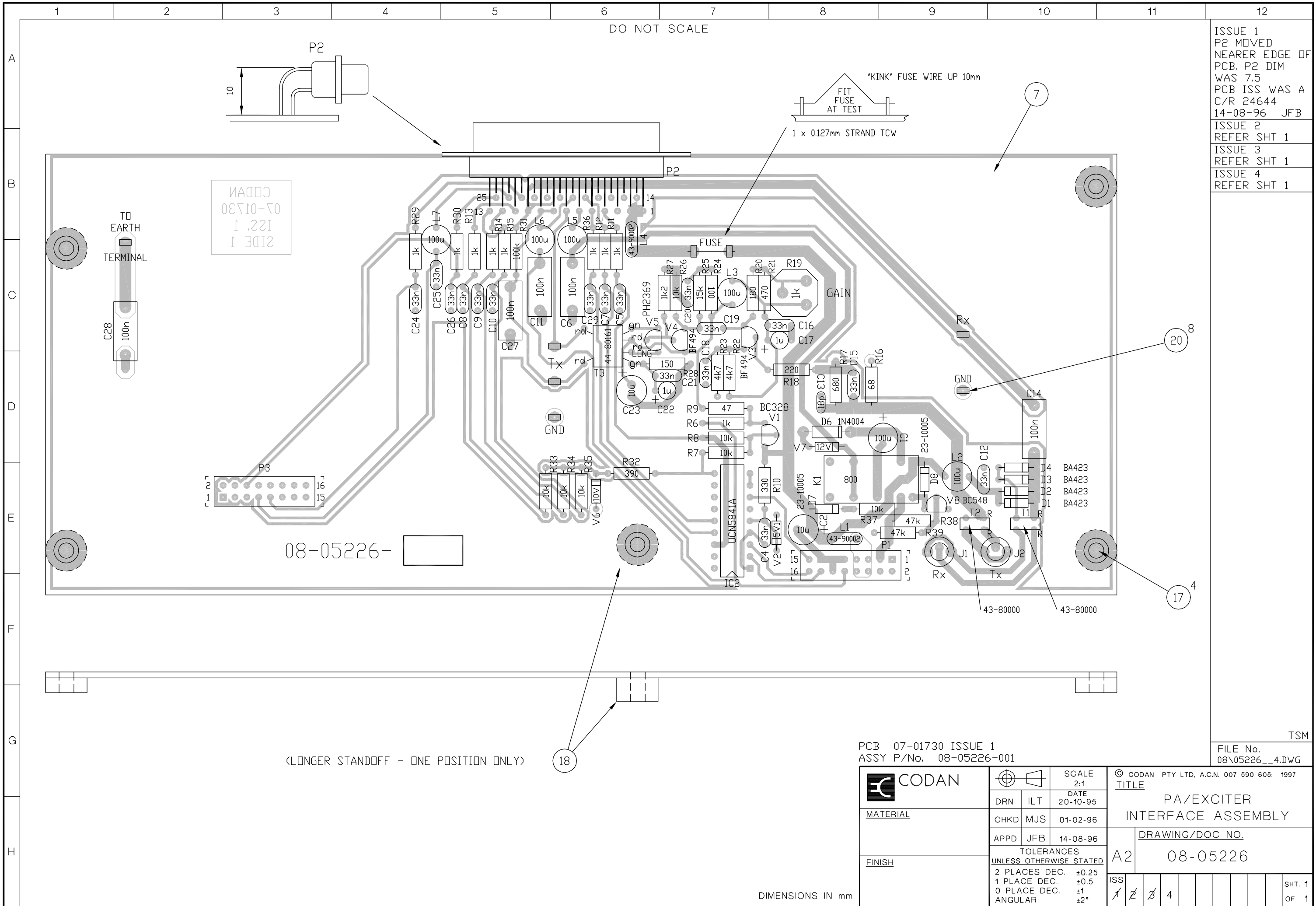


- NOTES:
- ALL DIODES BAW62 OR EQUIVALENT UNLESS OTHERWISE STATED.
  - FORM SHIELD WALL (ITEM 13) AND SOLDER IN PLACE.
  - SOLDER BOTTOM SHIELD (ITEM 4) IN PLACE AFTER TEST.
  - C130, C131, C132 & C135 TO BE SURFACE MOUNTED TO SIDE 1 AT POST WAVE SOLDER REFER DETAIL A.
  - MASK UNDERSIDE HOLES OF P204, P205, P206 & IC208 BEFORE WAVE SOLDERING.
  - CAPACITOR C328 (TOP LEFT HAND CORNER) TO BE SECURED WITH RTV SILICON AFTER SOLDERING.
  - IC117 TO BE SURFACE MOUNTED TO SIDE 2.
  - FIT A 15mm x 6mm RUBBER SLEEVE (ITEM 16) OVER BATTERY G101. PLACE A STRIP OF 12mm RUBBER FORM TAPE (ITEM 15), OVER BATTERY LEGS ON SIDE 1 OF PCB.

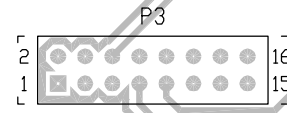
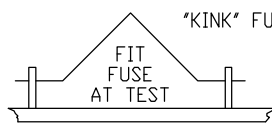
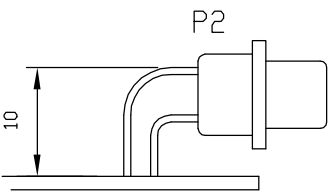
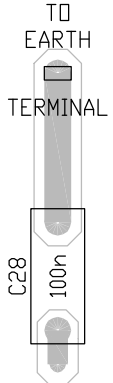


PCB 07-01536-11  
ASSY P/No. 08-04966-001

CODAN	SCALE	2:1	© CODAN PTY LTD, A.C.N. 807 598 605, 1993	
	DRN.	I.T		DATE
MATERIAL	CHKD.	NJA	DATE	15-2-94
FINISH	APPD.	C.M	DATE	8-2-95
TOLERANCES UNLESS OTHERWISE STATED		DRAWING/DOC No.		08-04966
2 PLACES DEC ±	1 PLACE DEC ±	ISS	12	SH 2 OF 2
ANGULAR ±				



CODAN  
 07-01730  
 1 221  
 SIDE 1



08-05226-

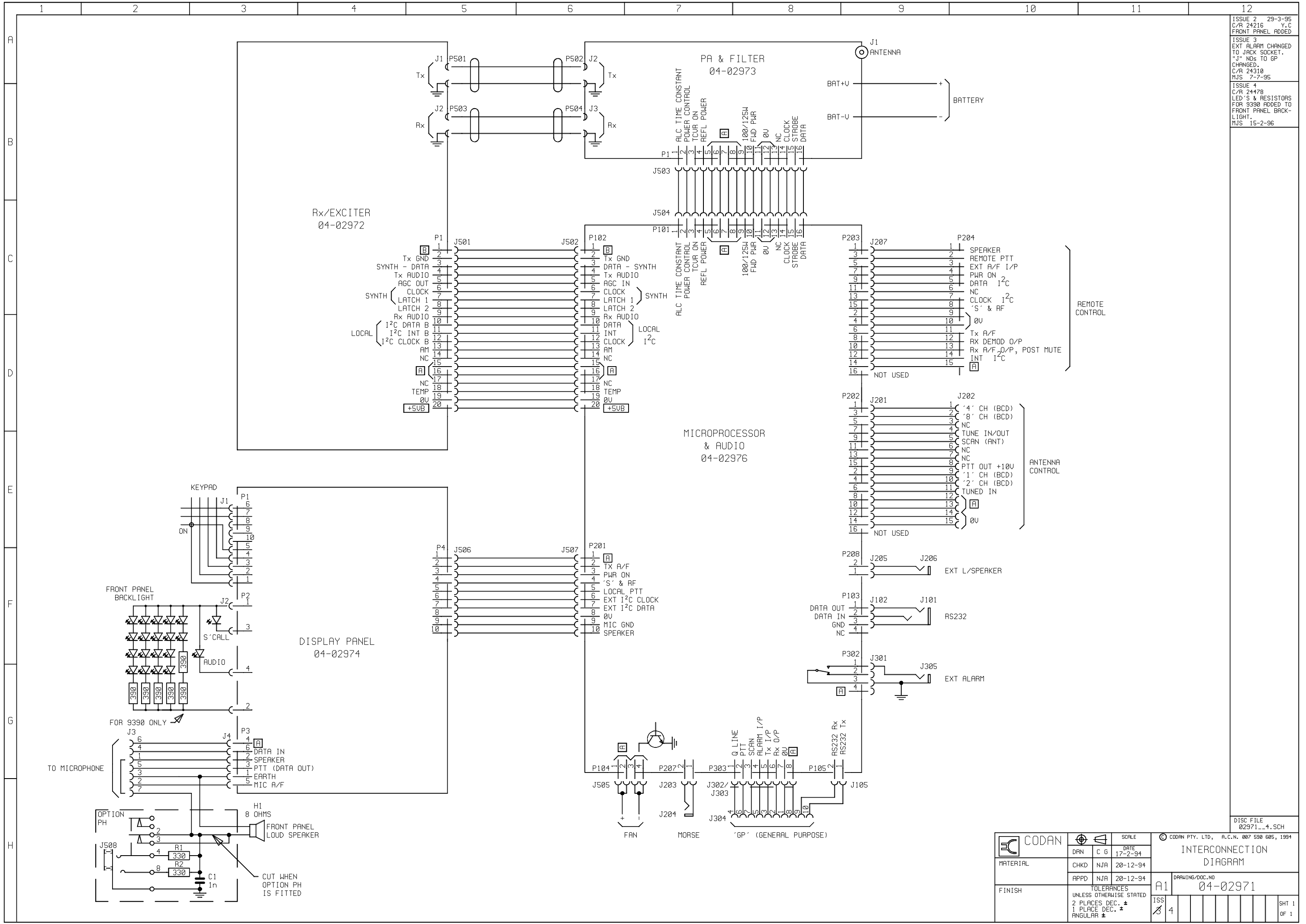
(LONGER STANDOFF - ONE POSITION ONLY)

PCB 07-01730 ISSUE 1  
 ASSY P/No. 08-05226-001

ISSUE 1  
 P2 MOVED  
 NEARER EDGE OF  
 PCB. P2 DIM  
 WAS 7.5  
 PCB ISS WAS A  
 C/R 24644  
 14-08-96 JFB  
 ISSUE 2  
 REFER SHT 1  
 ISSUE 3  
 REFER SHT 1  
 ISSUE 4  
 REFER SHT 1

TSM  
 FILE No.  
 08\05226\_4.DWG

	DRN	ILT	SCALE	© CODAN PTY LTD. A.C.N. 007 590 605. 1997			
	CHKD	MJS	DATE	TITLE			
	APPD	JFB	DATE	PA/EXCITER			
MATERIAL	TOLERANCES UNLESS OTHERWISE STATED			DRAWING/DOC NO.			
FINISH	2 PLACES DEC. ±0.25			A2			
	1 PLACE DEC. ±0.5			08-05226			
	0 PLACE DEC. ±1			ISS			
	ANGULAR ±2°			SHT. 1			
				OF 1			



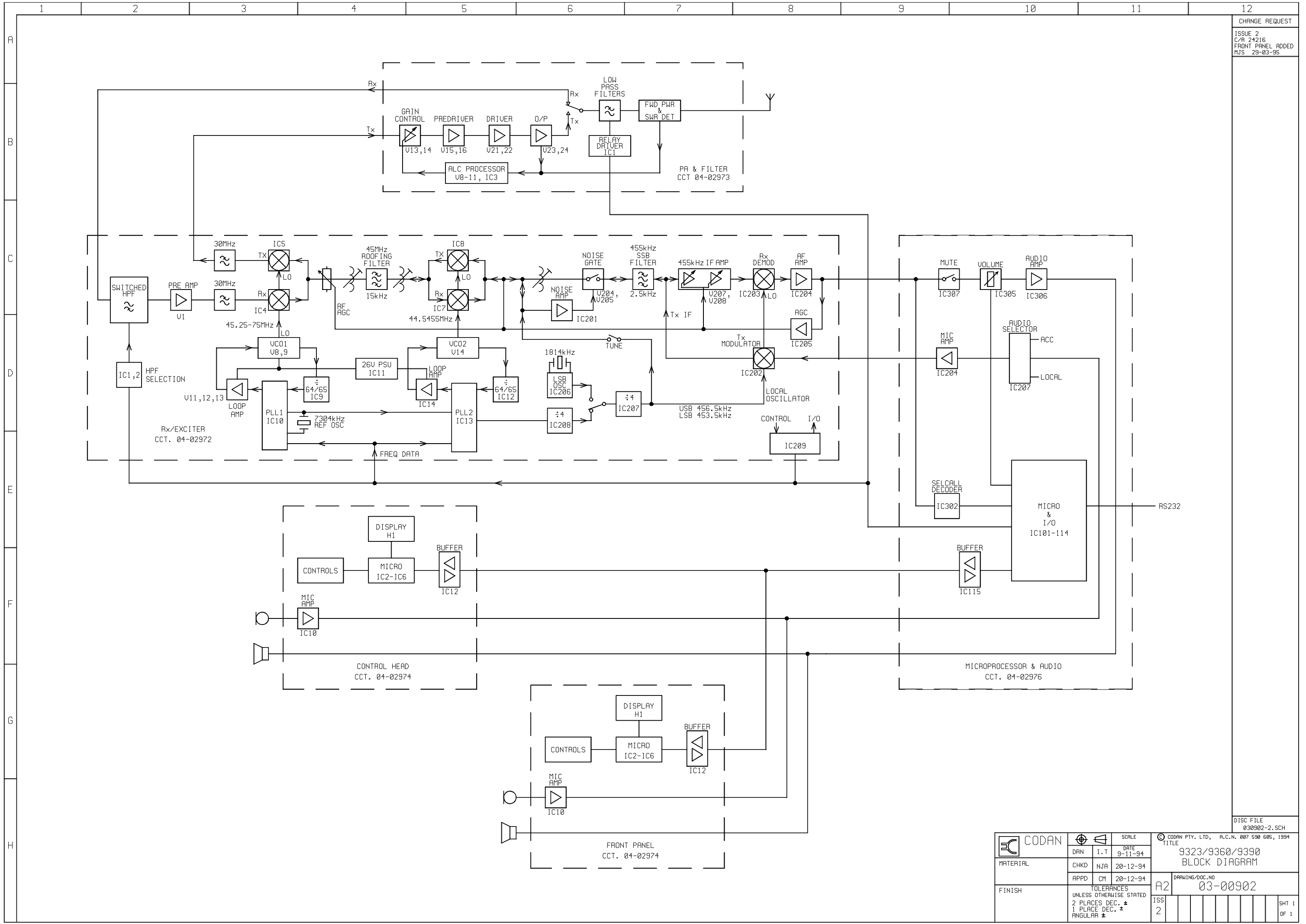
ISSUE 2 29-3-95  
C/R 24216 V.C  
FRONT PANEL ADDED

ISSUE 3  
EXT ALARM CHANGED  
TO JACK SOCKET.  
"J" NDS TO GP  
CHANGED.  
C/R 24310  
MJS 7-7-95

ISSUE 4  
C/R 24478  
LED'S & RESISTORS  
FOR 9398 ADDED TO  
FRONT PANEL BACK-  
LIGHT.  
MJS 15-2-96

DISC FILE  
02971\_4.SCH

	DRN	C G	SCALE	CODAN PTY. LTD. A.C.N. 007 530 685, 1994	
	CHKD	NJA	DATE 17-2-94	INTERCONNECTION DIAGRAM	
FINISH	APPD	NJA	DRAWING/DOC. NO. 04-02971	ISS	SHT 1 OF 1
TOLERANCES UNLESS OTHERWISE STATED			A1	4	
2 PLACES DEC. ± 1 PLACE DEC. ± ANGULAR ±					



CHANGE REQUEST  
 ISSUE 2  
 C/R 24216  
 FRONT PANEL ADDED  
 MJS 29-03-95

DISC FILE  
 030902-2.SCH

	SCALE			© CODAN PTY. LTD., A.C.N. 007 530 605, 1994 TITLE 9323/9360/9390 BLOCK DIAGRAM
	DRAWN	I.T	DATE	
	CHKD	NJA	20-12-94	
MATERIAL	APPD	CM	20-12-94	DRAWING/DOC.NO 03-00902
FINISH	TOLERANCES UNLESS OTHERWISE STATED 2 PLACES DEC. ± 1 PLACE DEC. ± ANGULAR ±			
ISS 2				SHT 1 OF 1