



SERVICE MANUAL

HF TRANSCEIVER

IC-F7000

INTRODUCTION

This service manual describes the latest service information for the **IC-F7000** HF TRANSCEIVER at the time of publication.

| MODEL | SYMBOL | VERSION |
|----------|--------|-----------|
| IC-F7000 | AUS | Australia |
| | OTH | Other |

To upgrade quality, any electrical or mechanical parts and internal circuits are subject to change without notice or obligation.

DANGER

NEVER connect the transceiver to an AC outlet or to a DC power supply that uses more than 16 V. This will ruin the transceiver.

DO NOT expose the transceiver to rain, snow or any liquids.

DO NOT reverse the polarities of the power supply when connecting the transceiver.

DO NOT apply an RF signal of more than 20 dBm (100 mW) to the antenna connector. This could damage the transceiver's front end.



ORDERING PARTS

Be sure to include the following four points when ordering replacement parts:

1. 10-digit order numbers
2. Component part number and name
3. Equipment model name and unit name
4. Quantity required

<SAMPLE ORDER>

| | | | | | |
|------------|-------|-------------|----------|-----------|-----------|
| 1110004080 | S.IC | μPC2709T | IC-F7000 | MAIN UNIT | 5 pieces |
| 8810005770 | Screw | BiH M3×8 ZK | IC-F7000 | Top cover | 10 pieces |

Addresses are provided on the inside back cover for your convenience.

REPAIR NOTES

1. Make sure a problem is internal before disassembling the transceiver.
2. **DO NOT** open the transceiver until the transceiver is disconnected from its power source.
3. **DO NOT** force any of the variable components. Turn them slowly and smoothly.
4. **DO NOT** short any circuits or electronic parts. An insulated tuning tool **MUST** be used for all adjustments.
5. **DO NOT** keep power ON for a long time when the transceiver is defective.
6. **DO NOT** transmit power into a signal generator or a sweep generator.
7. **ALWAYS** connect a 50 dB to 60 dB attenuator between the transceiver and a deviation meter or spectrum analyzer when using such test equipment.
8. **READ** the instructions of test equipment thoroughly before connecting equipment to the transceiver.

Icom, Icom Inc. and ICOM are registered trademarks of Icom Incorporated (Japan) in the United States, the United Kingdom, Germany, France, Spain, Russia and/or other countries.

TABLE OF CONTENTS

| | | |
|-------------------|--|--------|
| SECTION 1 | SPECIFICATIONS | |
| SECTION 2 | INSIDE VIEWS | |
| SECTION 3 | ABOUT EXTERNAL REFERENCE SIGNAL INPUT | |
| SECTION 4 | CIRCUIT DESCRIPTION | |
| SECTION 5 | ADJUSTMENT PROCEDURES | |
| SECTION 6 | PARTS LIST | |
| SECTION 7 | MECHANICAL PARTS AND DISASSEMBLY | |
| 7 - 1 | RC-26..... | 7 - 1 |
| 7 - 2 | HM-146..... | 7 - 1 |
| 7 - 3 | IC-F7000..... | 7 - 1 |
| SECTION 8 | SEMI-CONDUCTOR INFORMATION | |
| SECTION 9 | BOARD LAYOUTS | |
| 9 - 1 | HM-146..... | 9 - 1 |
| 9 - 2 | RC-26 | |
| 9 - 2 - 1 | CONNECT BOARD..... | 9 - 1 |
| 9 - 2 - 2 | REAR BOARD..... | 9 - 1 |
| 9 - 2 - 3 | DISPLAY BOARD..... | 9 - 3 |
| 9 - 3 | IC-F7000 | |
| 9 - 3 - 1 | DSP BOARD..... | 9 - 5 |
| 9 - 3 - 2 | MAIN UNIT..... | 9 - 7 |
| 9 - 3 - 3 | PA UNIT..... | 9 - 9 |
| 9 - 3 - 4 | PLL UNIT..... | 9 - 11 |
| 9 - 3 - 5 | DRIVER BOARD..... | 9 - 13 |
| 9 - 3 - 6 | VARISTOR-1 BOARD..... | 9 - 13 |
| 9 - 3 - 7 | VARISTOR-2 BOARD..... | 9 - 14 |
| SECTION 10 | BLOCK DIAGRAM | |
| SECTION 11 | WIRING DIAGRAM | |
| SECTION 12 | VOLTAGE DIAGRAMS | |
| 12 - 1 | RC-26 and HM-146..... | 12 - 1 |
| 12 - 2 | IC-F7000 | |
| 12 - 2 - 1 | MAIN UNIT (1)..... | 12 - 2 |
| 12 - 2 - 2 | MAIN UNIT (2)..... | 12 - 3 |
| 12 - 2 - 3 | MAIN UNIT (3)..... | 12 - 4 |
| 12 - 2 - 4 | PA UNIT..... | 12 - 5 |
| 12 - 2 - 5 | PLL UNIT (1)..... | 12 - 6 |
| 12 - 2 - 6 | PLL UNIT (2)..... | 12 - 7 |
| 12 - 2 - 7 | DSP BOARD..... | 12 - 8 |

SECTION 1 SPECIFICATIONS

• IC-F7000

■ GENERAL

• Frequency coverage : Receive 500 kHz–29.9999 MHz

| Transmit | Spec (MHz) | No Spec (MHz) |
|--------------|--------------|---------------|
| | 1.6–5.4999 | 5.5–5.7299 |
| 5.73–5.9999 | 6.0–6.6999 | |
| 6.7–8.0999 | 8.1–9.999 | |
| 10.0–11.1999 | 11.2–13.3999 | |
| 13.4–14.9999 | 15.0–17.9999 | |
| 18.0–18.9999 | 19.0–19.9999 | |
| 20.0–20.9999 | 21.0–22.9999 | |
| 23.0–27.9999 | 28.0–29.9999 | |

- Mode : J3E (USB/LSB), *J2B (AFSK), *F1B (FSK), *A1A (CW), A3E
*[OTH] version only
- Antenna impedance : 50 Ω
- Frequency stability : ±50 Hz
- Power supply requirement : 13.8 V (10.8 V–15.6 V) DC Negative ground
- Current drain (at 13.8 V DC) : RX; 3.0 A at Max. audio power
TX; 23 A at Max. output output
- Usable temperature range : –10°C to +60°C; –14°F to +140°F
- Dimensions (projections not included) : 240(W) × 72(H) × 239(D) mm; 9 7/16(W) × 2 27/32(H) × 9 13/32(D) in.
- Weight : Approx. 4.6 kg; 10 lb 2.26 oz

■ TRANSMITTER

- Output power : 1.6–29.9999 MHz 100, 50, 10 W PEP [AUS]
1.6–3.9999 MHz 125, 50, 10 W PEP [OTH]
4.0–29.9999 MHz 100, 50, 10 W PEP [OTH]
- Spurious emissions : Less than –43 dB at peak output power (Maximum power)
- Carrier suppression : Less than 40 dB at peak output power (Maximum power)
- Unwanted sideband suppression : Less than 50 dB at peak output power (Maximum power)
with 1500 Hz AF input
- Microphone impedance : 600 Ω

■ RECEIVER

- Sensitivity (Pre-amplifier is ON) :

| MODE | FREQUENCY | 20 dB SINAD | 10 dB S/N |
|------|-----------------|-------------|-----------|
| J3E | 0.5–1.5999 MHz | 28 dBμV emf | 14 dBμV |
| | 1.6–29.9999 MHz | 0 dBμV emf | –14 dBμV |
| A3E | 0.5–1.5999 MHz | 46 dBμV emf | 32 dBμV |

- Squelch sensitivity :

| MODE | Threshold | Tight |
|-------------------|--------------------|---------------------|
| J3E at 13.800 MHz | Less than +20 dBμV | Less than +90 dBμV |
| A3E at 1.000 MHz | Less than +30 dBμV | Less than +110 dBμV |

- Spurious response rejection : More than 70 dB 1.6–29.9999 MHz
- AF output power : 4 W at 4 Ω load with 10% distortion
- Clarity variable range : ±150 Hz

All stated specifications are subject to change without notice or obligation.

• **RC-26 REMOTE CONTROLLER**

■ **GENERAL**

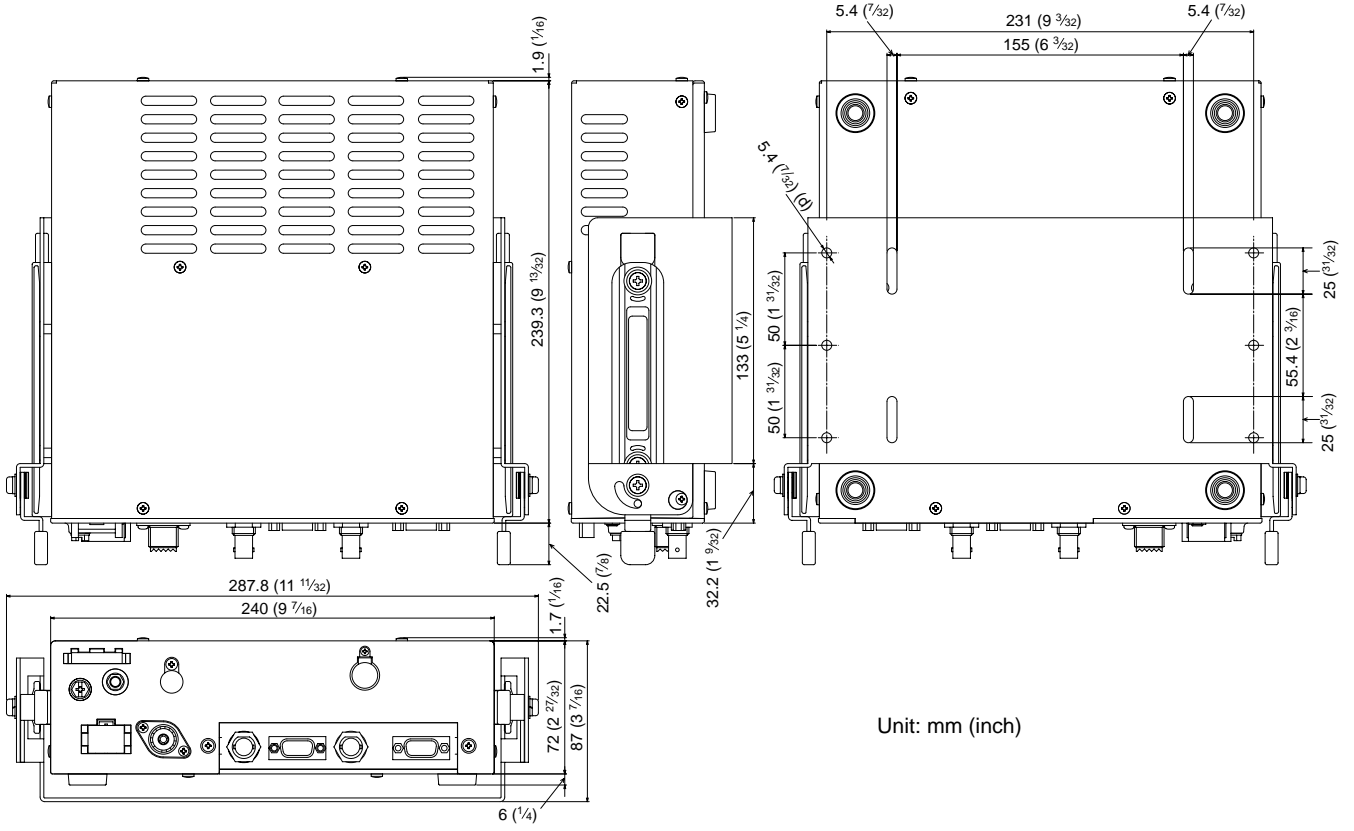
- Microphone impedance : 600 Ω
- Audio output power : More than 2 W at 4 Ω load with 10% distortion
- Audio output impedance : 4 Ω
- Usable temperature range : -10°C to $+60^{\circ}\text{C}$; $+14^{\circ}\text{F}$ to $+140^{\circ}\text{F}$
- Dimension (projections not included) : 150(W) \times 50(H) \times 51(D) mm; 5 $\frac{29}{32}$ (W) \times 1 $\frac{31}{32}$ (H) \times 2(D) in.
- Weight : Approx. 220 g; 7.8 oz (Connection cable is not included.)

• **SP-25 EXTERNAL SPEAKER**

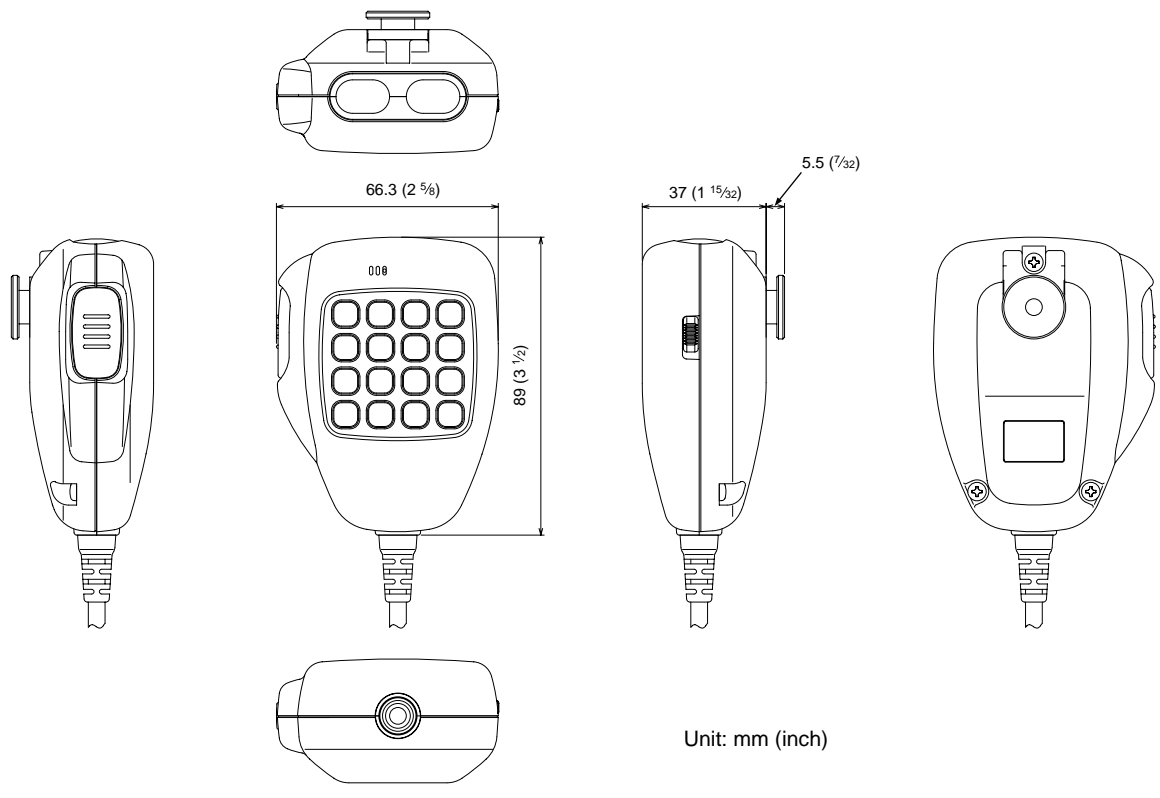
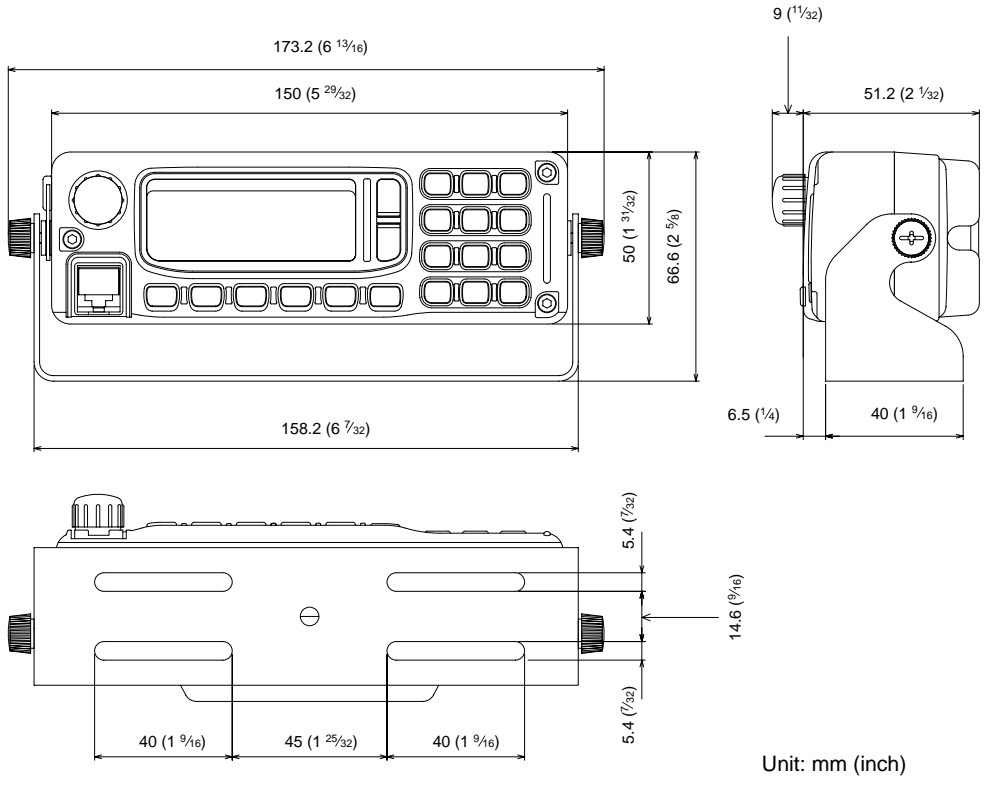
■ **GENERAL**

- Impedance : 4 Ω
- Input power : Rated input; 5 W
Maximum input; 7 W
- Usable temperature range : -20°C to $+60^{\circ}\text{C}$; -4°F to $+140^{\circ}\text{F}$
- Dimension (projections not included) : 106(W) \times 62(H) \times 46(D) mm; 4 $\frac{3}{16}$ (H) \times 2 $\frac{7}{16}$ (H) \times 1 $\frac{13}{16}$ (D) in.
- Weight : Approx. 370 g; 13.5 oz

All stated specifications are subject to change without notice or obligation.

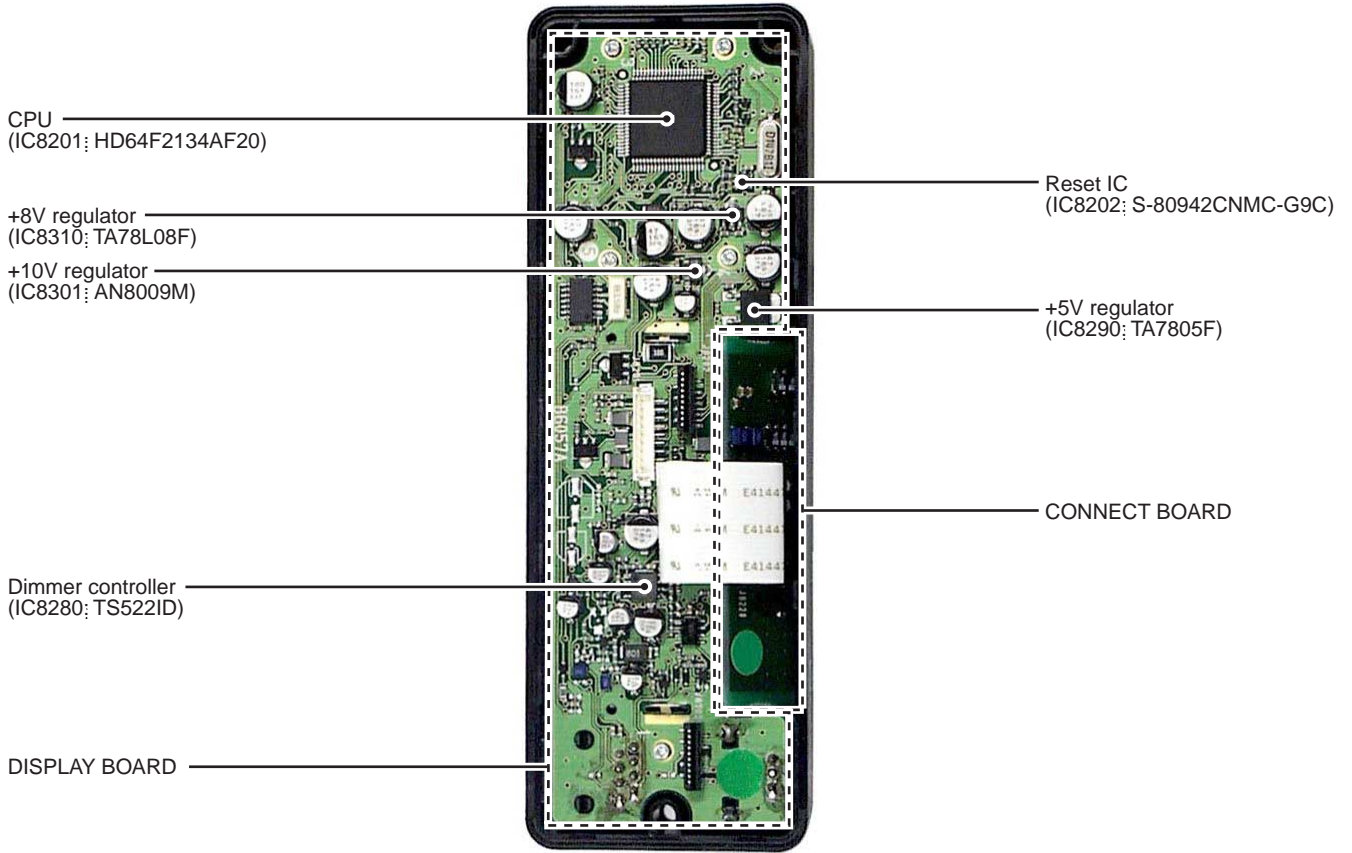


Unit: mm (inch)

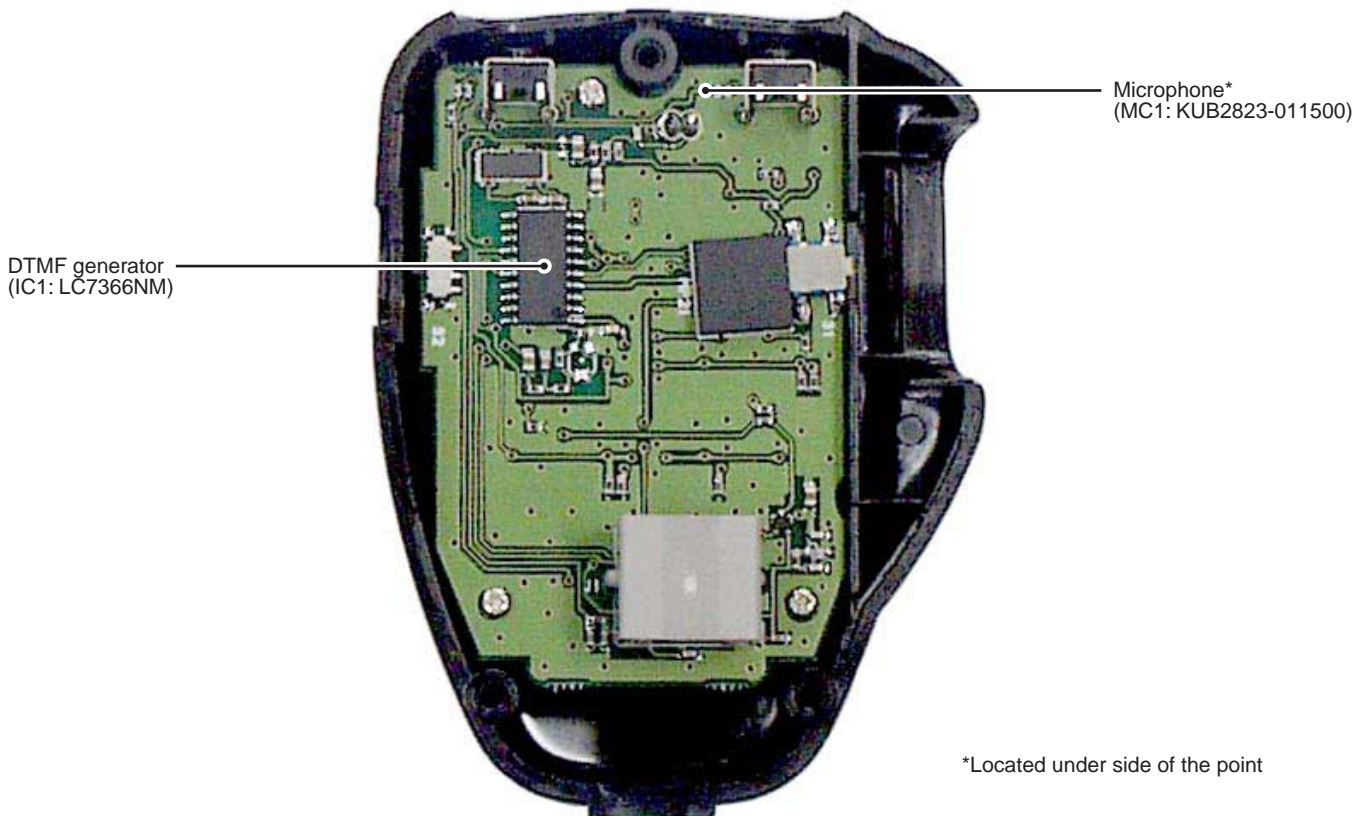


SECTION 2 INSIDE VIEWS

• RC-26

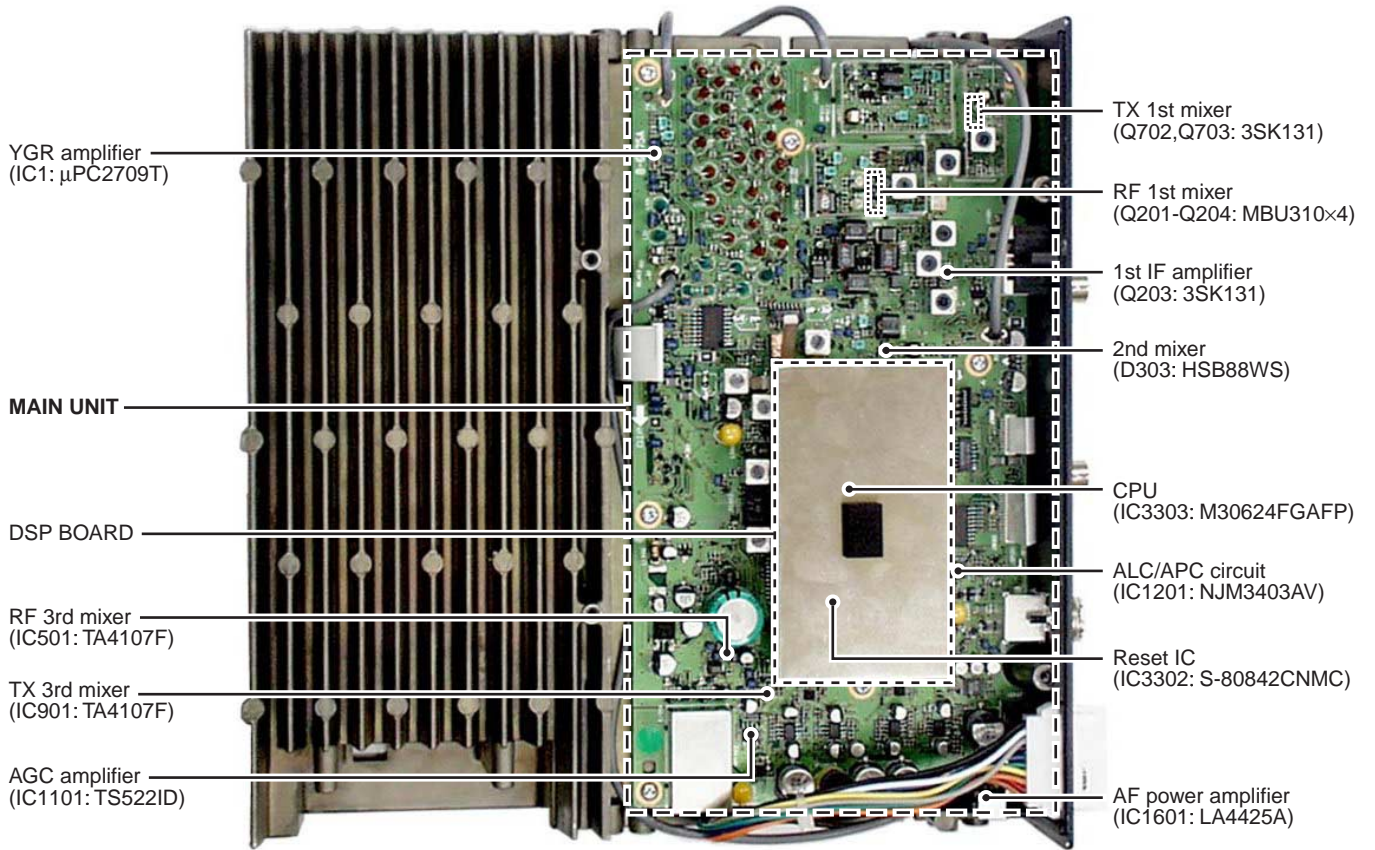


• HM-146 (MIC UNIT)

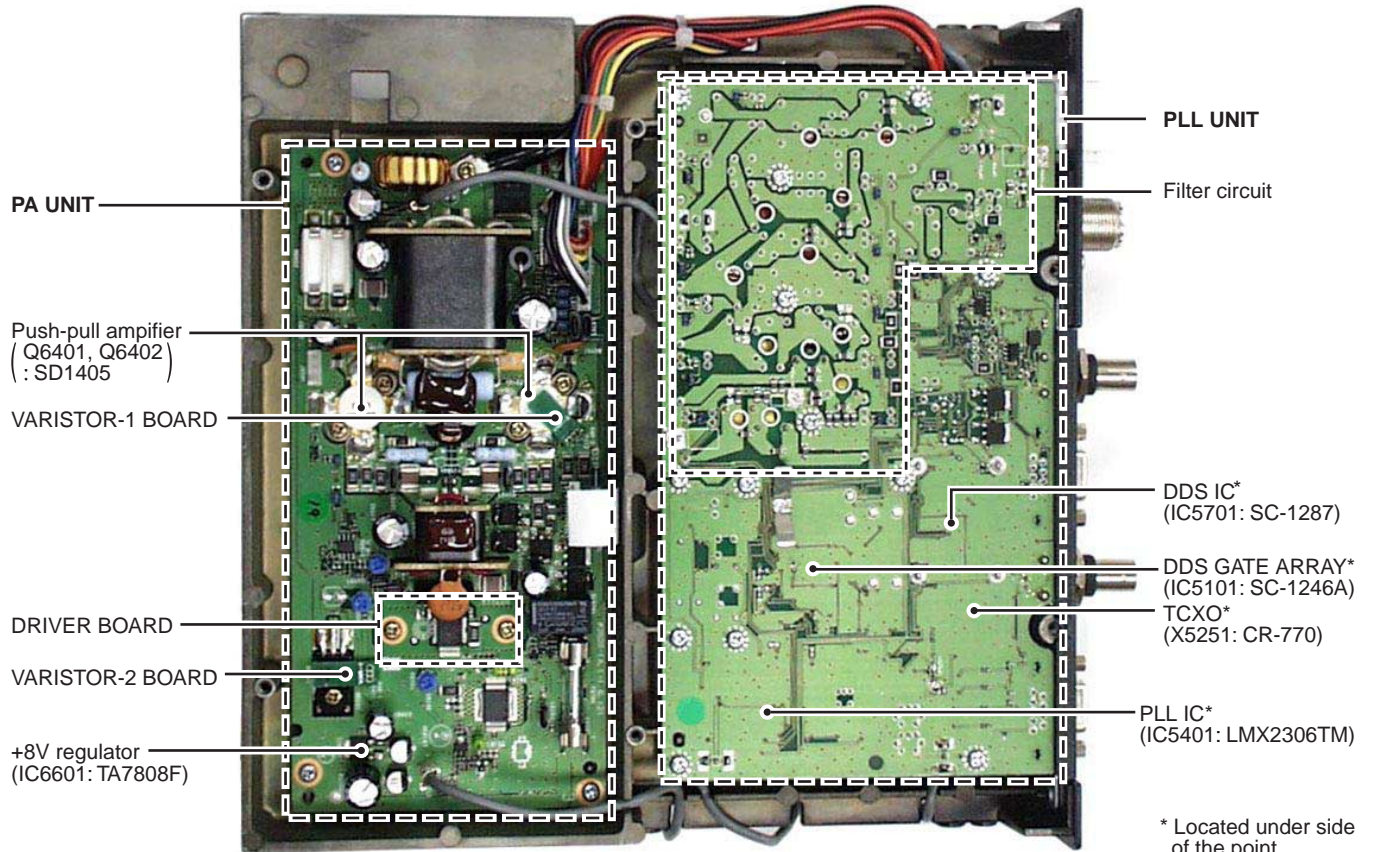


*Located under side of the point

• IC-F7000 (TOP VIEW)



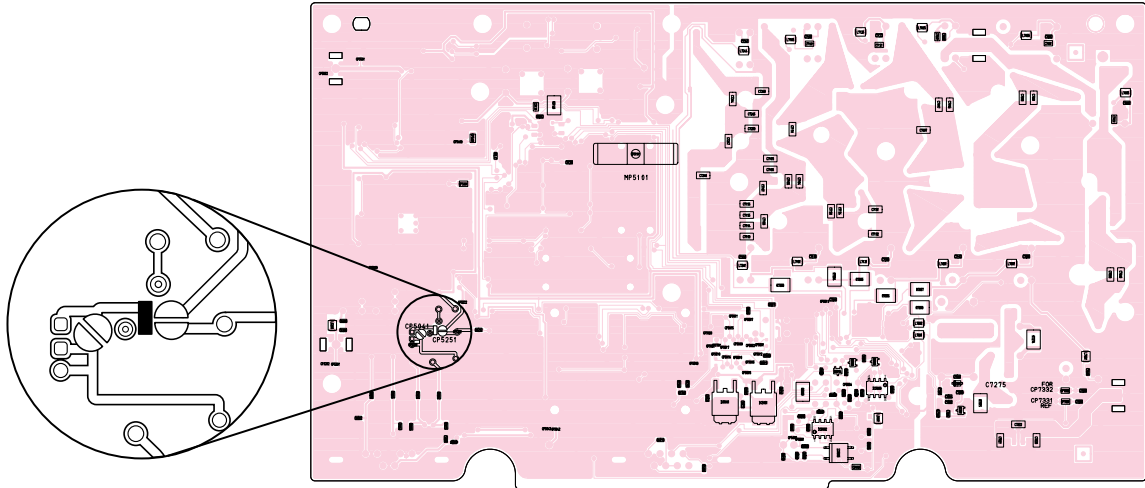
• IC-F7000 (BOTTOM VIEW)



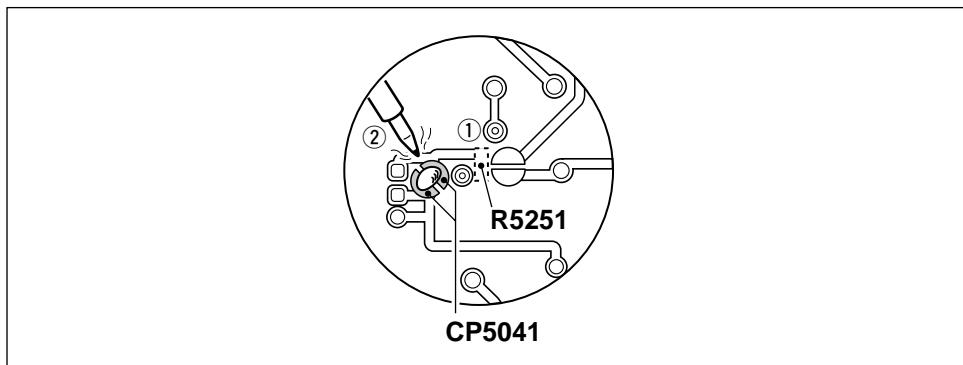
SECTION 3 ABOUT EXTERNAL REFERENCE SIGNAL INPUT

■ IN CASE OF USING EXTERNAL REFERENCE SIGNAL

NEED TO MODIFY the PLL unit (bottom side) as below when using external reference.



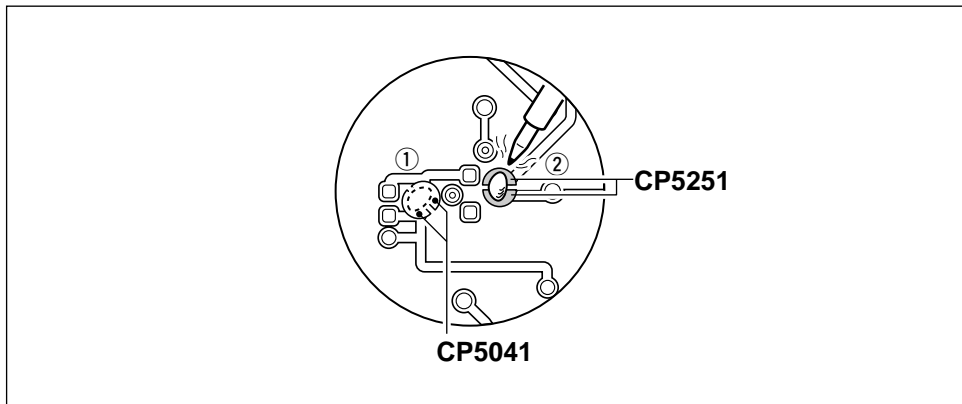
- ① Remove R5251 from the PLL unit.
- ② Solder disconnect points (CP5041) on the PLL unit.



■ **IN CASE OF USING INTERNAL REFERENCE SIGNAL**

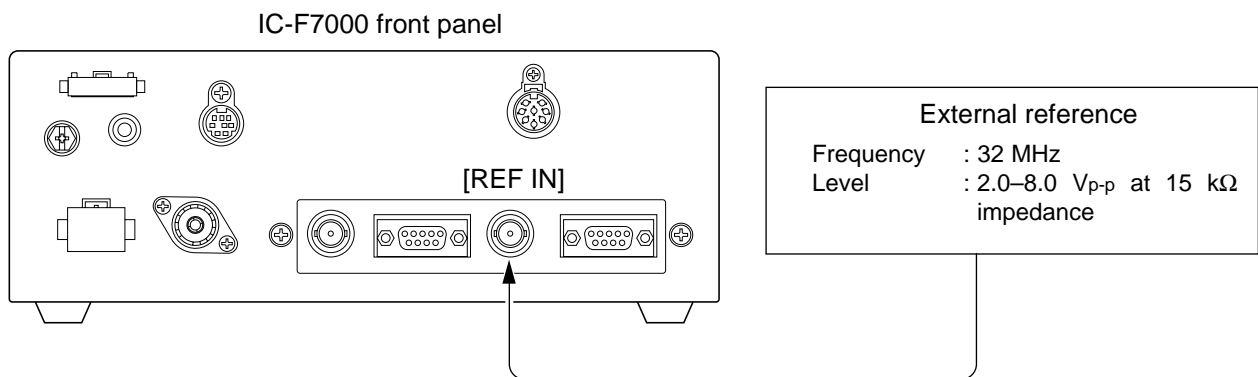
NEED TO MODIFY the PLL unit (bottom side) as below. Otherwise the transceiver does not work properly.

- ① Unsolder connect points (CP5041) on the PLL unit.
- ② Solder R5251 to the original position, or solder disconnect points (CP5251) on the PLL unit.



■ **CONNECTION**

Connect the external reference oscillator to the IC-F7000 as below.



SECTION 4 CIRCUIT DESCRIPTION

4-1 RECEIVER CIRCUITS

4-1-1 RF FILTER CIRCUIT (PLL AND MAIN UNITS)

Received signals from the antenna connector are applied to the transmit/receive switching and protection relay (PLL unit; RL7301) which is controlled by the CPU via the "TRXS" line. The signals pass through the 30 MHz cut-off low-pass filter (PLL unit; L7321, C7321–C7323, C7325), and then applied to the MAIN unit via the J7321.

The signals pass through the 1.6 MHz cut off high-pass filter (MAIN unit; L51–L54, L57, C54, C56, C57, C59, C61–C64, C69) and transmit/receive switch (D54), and are then applied to one of the bandpass filters (including one low-pass filter for below 2.0 MHz). These filters are selected by the filter control signals (B0–B8) as described in the table below.

The filtered signals are applied to the pre-amplifier (MAIN unit; Q102, Q103), and then passed through the 33 MHz cut-off low-pass filter (L202, L203, C202–C206). The filtered

| Frequency (MHz) | LPF ctrl signal | BPF ctrl signal |
|-----------------|-----------------|-----------------|
| 0.5–1.9999 | L1M | B0 |
| 2.0–2.4999 | | B1 |
| 2.5–2.9999 | L2M | B2 |
| 3.0–3.4999 | | B3 |
| 3.5–4.9999 | L4M | B4 |
| 5.0–5.4999 | | B5 |
| 5.5–6.9999 | L6M | B6 |
| 7.0–8.9999 | | B7 |
| 9.0–9.9999 | L12M | B8 |
| 10.0–13.9999 | | |
| 14.0–14.9999 | L22M | |
| 15.0–17.9999 | | |
| 18.0–23.9999 | | |
| 24.0–29.9999 | | |

signals pass through the low-pass filter (MAIN unit; L202, L203, C202–C206), and are then applied to the 1st mixer circuit (Q201, Q202, Q204, Q205).

4-1-2 1ST MIXER AND IF CIRCUITS (MAIN UNIT)

The 1st mixer circuit converts the received signals into a fixed frequency, 64.445 kHz 1st IF signal using PLL output frequency. By changing the PLL frequency, only the desired frequency is picked up at the 64.445 kHz bandpass filter (FI201) at the next stage.

The IF amplifier (Q203) and resonator circuits are designed between the filter pair. The PLL output signal (1LO) enters the MAIN unit via the J601 and is amplified at the 1st LO amplifier (Q601). The amplified signal is passed through the 100 MHz cut-off low-pass filter (L602–L604, C602, C604–C607, C609) to suppress harmonic components, and then applied to the 1st mixer circuit (Q201, Q202, Q204, Q205).

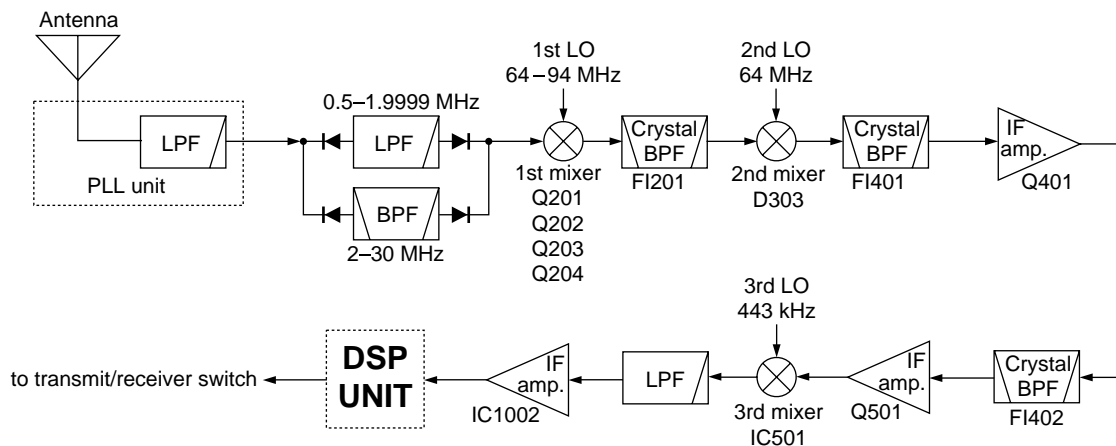
4-1-3 2ND MIXER AND IF CIRCUITS (MAIN UNIT)

The 1st IF signal from the bandpass filter (FI201) is converted again into a 455 kHz 2nd IF signal at the 2nd mixer circuit (D303, L303, L304). The 2nd LO signal (2LO) from the PLL unit enters the MAIN unit via the J301 to be applied to the 2nd mixer circuit.

4-1-4 3RD MIXER AND IF CIRCUITS (MAIN UNIT)

The 2nd IF signal passes through the low-pass filter (L305, C308, C310, C311, C315), and is then applied to the IF amplifier (Q401) via the ceramic bandpass filter (FI401). The amplified signal passes through the other ceramic bandpass filter (FI402), and then applied to the 3rd mixer circuit via the IF amplifier (Q501). The 2nd IF signal is converted into a 12 kHz 3rd IF signal at the 3rd mixer circuit (IC501). The 3rd LO signal (3LO) from the PLL unit enters the MAIN unit via the J3601 to be applied to the 3rd mixer circuit.

• RECEIVER CONSTRUCTION



4-1-5 DSP RECEIVER CIRCUIT (MAIN AND DSP UNITS)

The DSP (Digital Signal Processor) circuit enables digital IF filter, digital noise reduction, digital PSN (Pulse Shift Network), phase demodulation, digital automatic notch, and etc.

The 3rd IF signal is applied to the IF amplifier (MAIN unit; IC1002, pin 5) after being passed through the low-pass filter (MAIN unit; IC1002, pins 3, 1). The amplified 12 kHz 3rd IF signal is amplified at the differential amplifiers (IC9651a/b), and is then applied to the A/D converter section in the CODEC IC (IC9501) on the DSP board. At the same time, the converted signal is level-shifted 5 V to 3.3 V in the IC (IC9501).

The level-shifted signal is applied to the DSP IC (IC9301) for the digital IF filter, demodulator, automatic notch and noise reduction, etc.

The output signal from the DSP IC is applied to the D/A converter section in the CODEC IC (IC9501) to convert into the analog audio signals. Also the signals are level-shifted 3.3 V to 5 V at the level converter section in the IC (IC9501).

The level-shifted audio signals are passed through the active filter (IC9701a), and then applied to the MAIN unit via J9901 (pin 22) as the "DSP02" signal.

4-1-6 AGC CIRCUIT (DSP AND MAIN UNITS)

The AGC (Automatic Gain Control) circuit reduces IF amplifier gain and attenuates IF signal to keep the audio output at a constant level.

The receiver gain is determined by the voltage on the AGC1 line from the DSP unit. The D/A converter for the AGC (IC9102) supplies control voltage to the AGC1 line and sets the receiver gain with the [RF/SQ] control.

The 3rd IF signal from the CODEC IC (IC9501) is detected at the AGC detector section in the DSP IC (IC9301). The output signal from the DSP IC is level-shifted at the level converter (IC9101) and applied to the D/A converter (IC9102). The AGC voltage is amplified at the buffer amplifier section in the IC9102 and applied to the MAIN unit to control the AGC1 line.

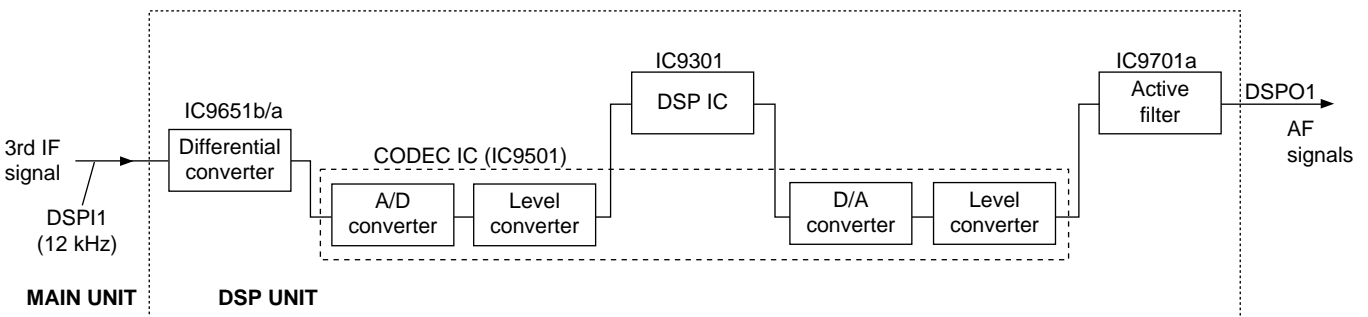
When receiving strong signals, the detected voltage increases and the AGC1 voltage decreases. As the AGC1 voltage is used for the bias voltage of the IF amplifiers (MAIN unit; Q203, Q401, Q501), IF amplifier gain is decreased.

4-1-7 AF AMPLIFIER CIRCUIT (DSP AND MAIN UNITS)

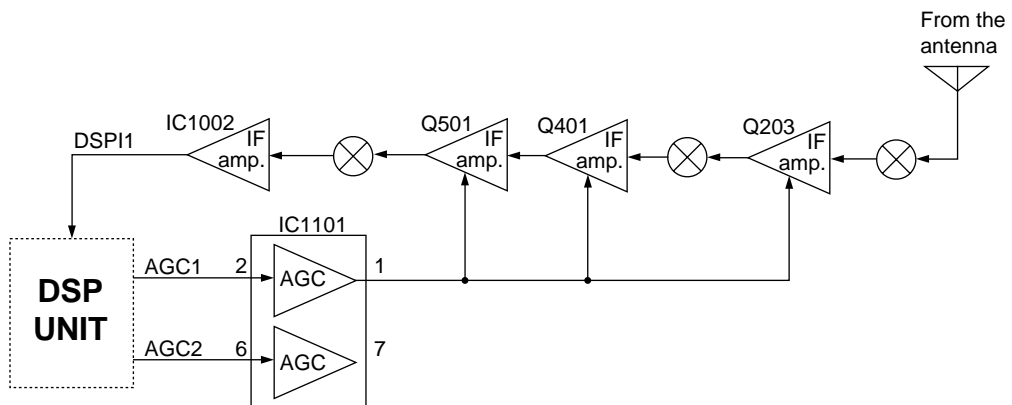
The AF amplifier amplifies the audio signals to the suitable driving level for the speaker.

The AF signals from the DSP unit are applied to the AF amplifier (MAIN unit; IC1651, pin 3) via the "DSPO2" line. The signals are amplified at the other AF amplifier (IC1651, pin 5) after being passed through the low-pass filter. The signals are applied to the AF mute switch (IC1602, pin 2), and then amplified at the AF power amplifier (IC1601, pin 1). The amplified signals are applied to the speaker (SP-26) after being passed through the speaker jack (J1451) via the "AFO" signal.

• DSP CIRCUIT



• AGC CIRCUIT



4-2 TRANSMITTER CIRCUITS

4-2-1 MICROPHONE AMPLIFIER CIRCUIT (RC-26, MAIN AND DSP UNITS)

The microphone amplifier circuit amplifies microphone audio signal to a level needed for the DSP circuit.

Audio signals from the [MIC] connector (J8701, pin 6) are amplified at the AF amplifier (IC8280, pin 3), and then applied to the gate modulator IC (MAIN unit; IC2001, pin 3) via the J2051, pin 1 as "FMOD" signal. The signal is applied to the DSP unit after being passed through the AF amplifier and low-pass filter IC (MAIN unit; IC1051, pins 3, 7) as "DSPI1" signal.

4-2-2 DSP TRANSMITTER CIRCUIT (DSP UNIT)

The DSP (Digital Signal Processor) circuit enables PSN (Phase Shift Network)/Low Power/Phase modulator, transmitter monitor, side tone, and etc.

The microphone audio signals from the MAIN unit via the "DSPI1" line are amplified at the differential amplifiers (IC9651a/b), and are then applied to the A/D converter section in the CODEC IC (IC9501). At the same time, the converted signals are level-shifted 5 V to 3.3 V in the IC (IC9501).

The level shifted signals are applied to the DSP IC (IC9301) and modulated at the DSP IC to produce the 12 kHz transmitter IF signal.

The modulated IF signal from the DSP IC is applied to the D/A converter section in the CODEC IC (IC9501) to convert into the analog IF signal. Also the signal is level-shifted 3.3 V to 5 V at the level converter section in the IC (IC9501).

The level-shifted IF signal is passed through the active filter (IC9701a), and then applied to the MAIN unit via J9901 (pin 17) as the "DSPO1" signal.

When the speech compressor function is ON, the level-shifted signal from the CODEC IC (IC9501) is applied to the DSP IC (IC9301) and compressed at the DSP IC to obtain an average audio level.

At the same time, the compressed signals are modulated at the DSP IC and applied to the D/A converter section in the CODEC IC (IC9501).

4-2-4 IF AMPLIFIER AND MIXER CIRCUITS (MAIN UNIT)

The modulated 3rd IF signal from the DSP unit ("DSPO1" signal: 12 kHz) passes through the transmit/receive switch (IC1703, pins 1, 6), and then applied to the 3rd mixer circuit (IC901, pin 3). The applied 3rd IF signal is mixed with the 3rd LO signal from the DDS circuit (PLL unit; IC5701) to produce a 455 kHz 2nd IF signal.

The 2nd IF signal is output from IC901, pin 5 and passes through the ceramic bandpass filter (FL402) to suppress the unwanted signals via the D132. The filtered 2nd IF signal is amplified at the 2nd IF amplifier (Q801), and then applied to the 2nd mixer circuit after being passed through the D305 and low-pass filter (L305, L306, C307, C308, C310, C311, C315).

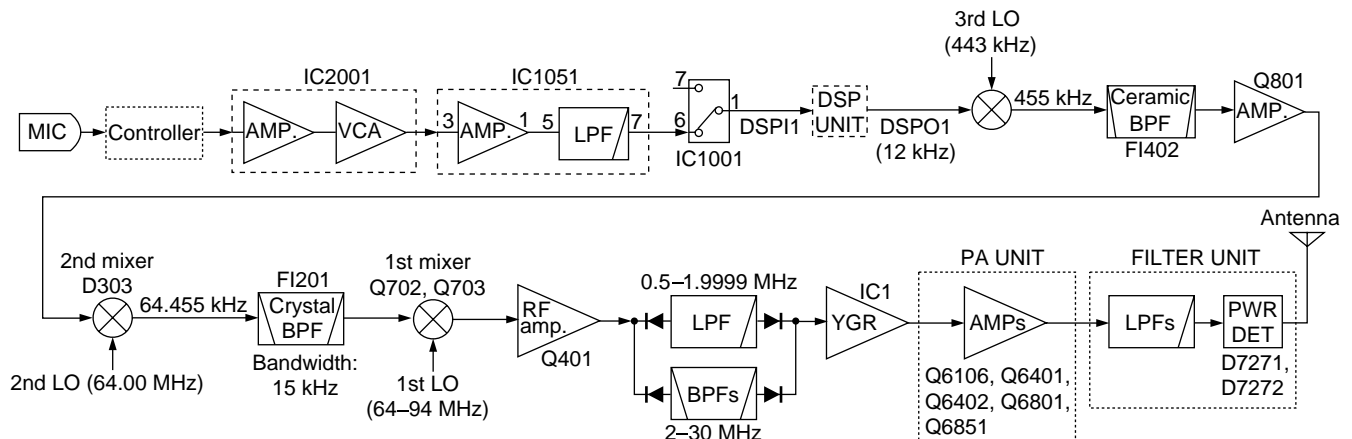
The 2nd IF signal is mixed with 64 MHz 2nd LO signal, coming from the PLL circuit, at the 2nd mixer circuit (D303) to obtain 64.455 MHz 1st IF signal. The 1st IF signal is passed through the bandpass filter (FI1201) to cut off the unwanted signals. The signal is applied to the transmitter mixer circuit (Q702, Q703) to obtain the desired signal via the transmit/receive switch (D205) and attenuator (R712, R715, R716).

The operating (transmitting) frequency is produced at the 1st IF mixer circuit (Q702, Q703) by mixing the 1st IF and 1st LO signals. The mixed signal is then applied to the RF circuit.

4-2-3 SPEECH COMPRESSOR CIRCUIT (DSP UNIT)

The DSP (Digital Signal Processor) circuit enables PSN. The speech compressor compresses the transmitter audio input signals to increase the average output level (average talk power).

• TRANSMIT CONSTRUCTION



4-2-5 RF CIRCUIT (MAIN, PA, PLL UNITS AND DRIVER BOARD)

The RF circuit amplifies operating (transmitting) frequency to obtain 100 W (125 W: 1.6–4 MHz for [OTH]) of RF output.

The RF signals from the 1st mixer circuit pass through the low-pass filter (L702, L703, C706, C707, C709–C711, C721), and are then applied to the RF amplifier (Q701).

The amplified signals pass through one of the low-pass filter or bandpass filters (Refer to page 4-1 bandpass filters used), and are then applied to the YGR amplifier (IC1, pin 1) after being passed through the attenuator (R5–R7). The amplified signals pass through the low-pass filter (L1–L3, C1–C7) and attenuator (R1–R3), and are then applied to the PA unit via J1.

The signals that applied from the MAIN unit are amplified at 2 amplifiers (PA unit; Q6101 and Q6801). A part of output signals from 2 amplifiers are applied to these amplifiers to improve the frequency characteristic by feedback. The amplified signals are applied to the drive amplifier (DRIVER board; Q6851) via the J6301 as "DRVI" signal. The signals from the DRIVER board pass through the impedance converter (PA unit; L6301), and then applied to push-pull amplifiers (PA unit; Q6401, Q6402) to obtain a stable 100 W of RF output power. A part of the RF output power returns to amplifiers to obtain a stable gain between 1.6 MHz and 27.5 MHz bands by using feedback transformer (L6404). The output RF signals are applied to the filter unit via the J6401 as "FLIN" signal.

The amplified signals are applied to the one of the 6 low-pass filters which are composed of chebychev type.

• 0.5–2.49999 MHz signals

The signals are applied to the relay (FILTER unit; RL7031). The signals pass through the low-pass filter (FILTER unit; L7036, L7037, C7033–C7036, C7038–C7040), and are then applied to the RL7032 which is controlled by the band control IC (MAIN unit; IC3602) as the "L1M" signal via the buffer amplifier (MAIN unit; IC1301, pin 13).

• 2.5–3.49999 MHz signals

The signals are applied to the relay (FILTER unit; RL7061). The signals pass through the low-pass filter (FILTER unit; L7067, L7068, C7072, C7073, C7077–C7083), and are then applied to the RL7062 which is controlled by the band control IC (MAIN unit; IC3602) as the "L2M" signal via the buffer amplifier (MAIN unit; IC1301, pin 14).

• 3.5–5.49999 MHz signals

The signal is applied to the relay (FILTER unit; RL7091). The signals pass through the low-pass filter (FILTER unit; L7096, L7097, C7094–C7099, C7105–C7107), and are then applied to the RL7092 which is controlled by the band control IC (MAIN unit; IC3602) as the "L4M" signal via the buffer amplifier (MAIN unit; IC1301, pin 15).

• 5.5–8.9999 MHz signals

The signals are applied to the relay (FILTER unit; RL7121). The signals pass through the low-pass filter (FILTER unit; L7127, L7128, C7123, C7126–C7131), and are then applied to the RL7122 which is controlled by the band control IC (MAIN unit; IC3602) as the "L6M" signal via the buffer amplifier (MAIN unit; IC1301, pin 16).

• 9–14.9999 MHz signals

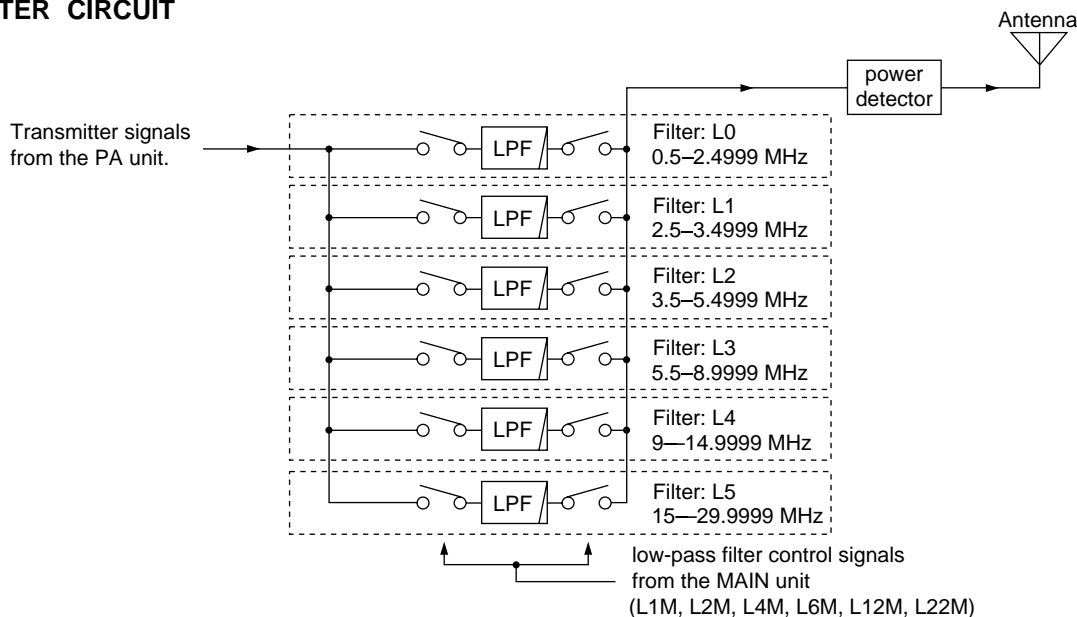
The signals are applied to the relay (FILTER unit; RL7181). The signals pass through the low-pass filter (FILTER unit; L7183, L7184, C7183–C7188, C7193–C7196), and are then applied to the RL7182 which is controlled by the band control IC (MAIN unit; IC3602) as the "L12M" signal via the buffer amplifier (MAIN unit; IC1301, pin 17).

• 15–29.9999 MHz signals

The signals are applied to the relay (FILTER unit; RL7241). The signals pass through the low-pass filter (FILTER unit; L7245, L7246, C7243–C7245, C7247, C7248, C7253), and are then applied to the RL7242 which is controlled by the band control IC (MAIN unit; IC3602) as the "L22M" signal via the buffer amplifier (MAIN unit; IC1301, pin 18).

The filtered signal is applied to the antenna connector after being passed through the RL7301 and J7211.

• RF FILTER CIRCUIT



4-2-6 ALC CIRCUIT (PLL AND MAIN UNITS)

The ALC (Automatic Level Control) circuit controls the gain of IF amplifiers in order for the transceiver to output a constant RF power even when the supplied voltage shifts, etc.

The RF power level is detected at the power detector circuit (PLL unit; D7271) to be converted into DC voltage and applied to the MAIN unit as the "FOR" signal.

The "FOR" signal is applied to the comparator (IC1201, pin 2). The "POCV" signal is also applied to the other input (pin 3) for reference. The compared signal is output from pin 1 and applied to the IF amplifier in the MAIN (Q801) unit to control amplifying gain.

When the "FOR" signal exceeds the "POCV" voltage, ALC bias voltage from the comparator controls the IF amplifiers. This adjusts the output power to a specified level until the "FOR" and "POCV" voltages are equalized.

4-2-7 APC CIRCUIT (PLL AND MAIN UNITS)

The APC (Automatic Power Control) circuit protects the power amplifiers on the PA unit from high SWR and excessive current.

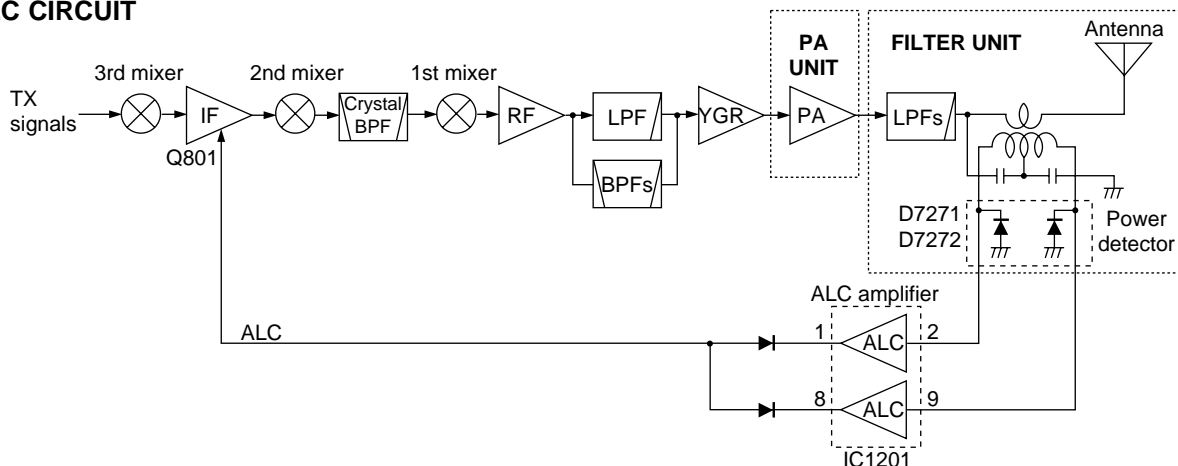
• SWR APC CIRCUIT (PLL AND MAIN UNITS)

The reflected wave signal appears and increases on the antenna connector. When the antenna is mismatched, D7272 of the power detector circuit (D7271, D7272, L7272) in the PLL unit detects the signal and applies it to the ALC amplifier (IC1201, pin 9) in the MAIN unit as "REF" signal. The output signal decreases the bias voltage of the RF APC amplifier to reduce the output power.

• CURRENT APC CIRCUIT (PA AND MAIN UNITS)

The power transistor current is detected from the different voltage between both terminals of a 0.012 Ω resistor (R6651) on the PA unit. The detected voltage is applied to the differential amplifier (IC6501). When the current of the final transistors is more than 30 A, the detected voltage is applied to the APC amplifier controller (IC1201) in the MAIN unit to reduce the gate-2 voltage of the IF amplifier (Q801) and thus reduce the output power.

• ALC CIRCUIT



4-2-8 RF METER CIRCUIT (MAIN UNIT)

The output of ALC amplifier (IC1201, pin 14) is applied to the CPU (IC3303, pin 97) as "RFML" signal to indicate the transmit power level on the display.

For antenna current meter indication, the "ANTM" signal from the optional AT-130E is applied to the meter amplifier (IC1201, pin 12) via the J6701 in the PA unit.

4-3 PLL CIRCUITS

4-3-1 GENERAL

The PLL circuits generate a reference frequency (32.000 MHz); 1st LO frequencies (64.485–94.455 MHz); 2nd LO frequency (64 MHz), 3rd LO frequency (422.500 kHz).

The 1st LO PLL adopts a mixer-less dual loop PLL system. The BFO uses a DDS and a 2nd LO as a fixed frequency double that the crystal oscillator.

4-3-2 1ST LO PLL (PLL UNIT)

The 1st LO PLL contains a main and reference loop as a dual loop system.

The reference loop generates an approximate 10.5 MHz frequency using a DDS circuit, and the main loop generates a 64.485 to 94.455 MHz frequency using the reference loop frequency.

(1) REFERENCE LOOP PLL

The oscillated signal at the reference VCO (Q5301, D5301) is amplified at the amplifiers (Q5302, Q5351) and is then applied to the DDS IC (IC5101, pin 46). The signal is then divided and detected on phase with the DDS generated frequency.

The detected signal output from the DDS IC (pin 56) is converted into DC voltage (lock voltage) at the loop filter (R5136, R5146, C5112) and then fed back to the reference VCO circuit (Q5301, D5301).

(2) MAIN LOOP PLL

The oscillated signal at one of the main loop VCOs (Q5521, D5521, L5523) is amplified at the buffer amplifiers (Q5601, Q5604) and is then applied to the PLL IC (IC5401, pin 6). The signal is then divided and detected on phase with the reference loop output frequency.

The detected signal output from the PLL IC (pin 2) is converted into a DC voltage (lock voltage) at the loop filter and then fed back to one of the VCO circuits (Q5521, D5521, L5523).

The oscillated signal from the buffer amplifier (Q5601) is also applied to the MAIN unit via the "M1LO" line as a 1st LO signal after being amplified at LO (Q5602) and buffer (Q5603) amplifiers or passed through the bandpass filter (L5602–L5604, C5610–C5616).

4-3-3 2ND LO AND REFERENCE OSCILLATOR CIRCUITS (PLL UNIT)

The reference oscillator (X5251) generates a 32.0 MHz frequency for the DDS circuits as a system clock and for the LO output. The oscillated signal is doubled at the doubler circuit (Q5202) and the 64.0 MHz frequency is picked up at the double tuned filter (L5203, L5204). The 64.0 MHz signal is applied to the RF circuit via the "M2LO" line as a 2nd LO signal.

4-3-3 3RD LO CIRCUIT (PLL UNIT)

The DDS IC (IC5701) generates a 10-bit digital signal using the 32 MHz system clock. The digital signal is converted into an analog wave signal at the D/A converter (R5701–R5720). The converted analog wave is passed through the low-pass filter (L5781–L5783, C5781–C5785) and is then applied to the MAIN unit as the 3rd LO signal (422.500 kHz) via the attenuator (R5781–R5783).

4-4 FRONT UNIT (RC-26)

4-4-1 LCD CIRCUIT (DISPLAY AND CONNECT BOARDS)

The LCD (CONNECT board; DS8920) is controlled by the LCD driver (CONNECT board; IC8940) via the drive signals (CL1, RES, CS, RS, WR, RD, DB0–DB7) from the display board. The LCD's back light employs 5 LEDs (DS8300–DS8304). The LEDs are controlled by dimmer (Q8300, Q8303) and dimmer controller (IC8280) circuits.

4-4-2 MICROPHONE CIRCUIT (DISPLAY BOARD)

The AF signals from the microphone are amplified at the AF amplifier (IC8280) via the "MIC" signal. The signals are applied to the IC-F7000's main unit through the J2501, pin 1 via the "FMODE" line.

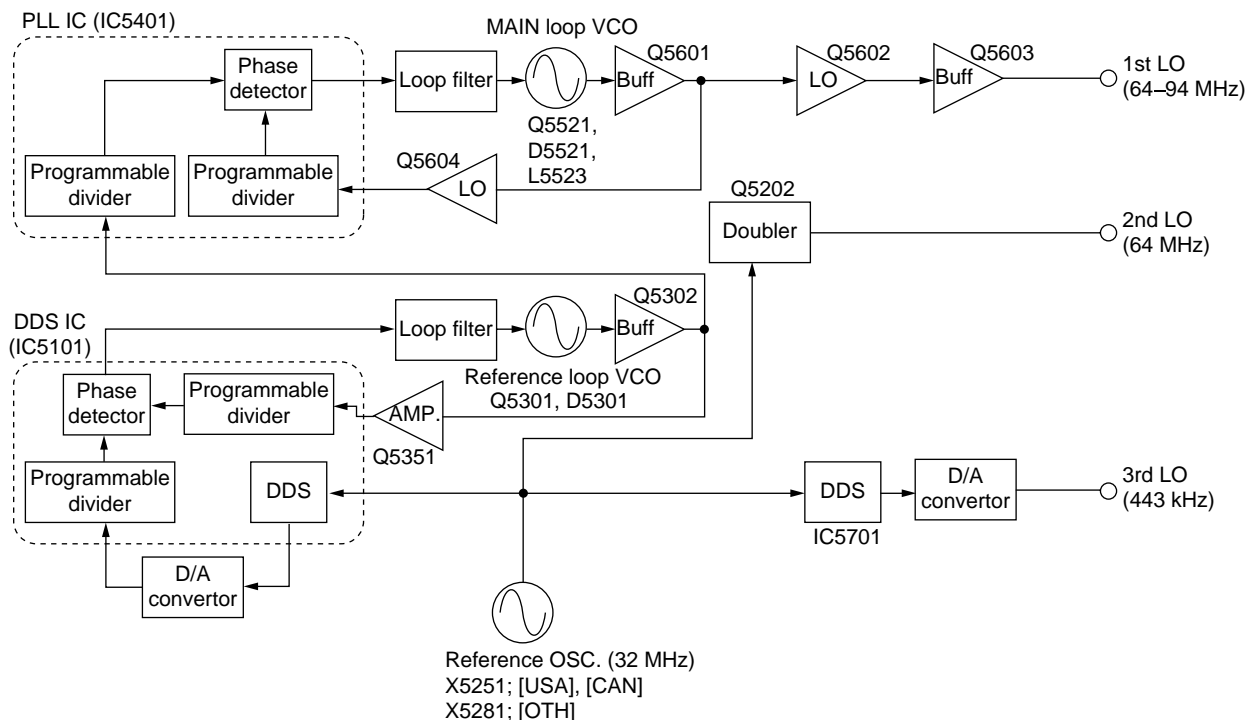
4-4-3 KEY'S BACK LIGHTS CIRCUIT (DISPLAY BOARD)

The key's back lights compose of DS8305, DS8306, DS8308, DS8309, DS8311–DS8314, and are controlled by the dimmer (Q8301) and dimmer controller (IC8280) circuits. The dimmer circuit is controlled by the FRONT CPU.

4-4-4 RESET CIRCUIT (DISPLAY BOARD)

The reset IC (IC8202) resets the FRONT CPU (IC8201) when IC-F7000 is power ON or OFF.

• PLL CIRCUIT



4-5 POWER SUPPLY CIRCUITS

4-5-1 PA UNIT VOLTAGE LINE

| LINE | DESCRIPTION |
|------|--|
| HV13 | The voltage from an external power supply. |
| HV | The same voltage as the HV13 line passed through the fuse (F6701). |
| S13V | The same voltage as the HV13 line passes through the switching relay (RL6701). |
| 13.8 | The same voltage as the HV13 line passes through the switching relay (RL6701). |
| PA8V | 8 V for transmitter circuits regulated by the +8 regulator circuit (IC6601). |
| T8V | 8 V for transmitter circuits regulated by the T8 regulator circuit (Q6601, Q6602). |

4-5-2 DISPLAY BOARD (RC-26) VOLTAGE LINE

| LINE | DESCRIPTION |
|------|---|
| H13V | The voltage from PA and MAIN units via the J8201. |
| 10V | Common 10 V converted from the 13 V line and regulated by the +10 regulator circuit (IC8301). |
| 5V | Common 5 V converted from the 5 V line and regulated by the +5 regulator circuit (IC8290). |
| 8V | Common 8 V converted from the 8 V line and regulated by the +8 regulator circuit (IC8310). |

4-5-3 PLL UNIT VOLTAGE LINE

| LINE | DESCRIPTION |
|------|---|
| HV13 | The voltage from MAIN units via the J5001, pin 1. |
| H5V | Common 5 V line from the MAIN unit via the J7331, pin 21. |
| 5V | Common 5 V converted from the 13 V line and regulated by the +5 regulator circuit (IC5001). |
| 8VL | Common 8 V converted from the 13 V line and regulated by the +8 regulator circuit (IC5031). |

4-5-4 MAIN UNIT VOLTAGE LINE

| LINE | DESCRIPTION |
|------|--|
| S13V | The voltage from the PA unit via the J1901. |
| R13V | Receive 13 V converted from the S13V line and regulated by the R13 regulator circuit (Q1505). |
| 8V | Common 8 V converted from the S13V line and regulated by the +8 regulator circuit (IC1502). |
| -5V | Common -5 V converted from the S13V line and regulated by the -5 V DC-DC converter (IC1551, D1551, D1552). |
| T8 | Transmit 8 V converted from the S13V line and regulated by the T8 regulator circuit (Q1501). |
| R8 | Receive 8 V converted from the S13V line and regulated by the R8 regulator circuit (Q1502). |
| 5V | Common 5 V converted from the S13V line and regulated by the +5 regulator circuit (IC1501). |
| H5V | Common 5 V converted from the HV13 line and regulated by the +5 regulator circuit (IC3101). |
| HV | Common 5 V converted from the HV13 line and regulated by the +5 regulator circuit (IC3101). |

4-6 PORT ALLOCATIONS

4-6-1 MAIN CPU (MAIN UNIT; IC3303)

| Pin number | Port name | Description |
|------------|-----------|--|
| 1 | TXS | Outputs T8 regulator circuit (MAIN unit; Q1501) control signal. |
| 2 | RXS | Outputs R8 and R13V regulator circuits (MAIN unit; Q1502, Q1505) control signal. |
| 3 | PSEL | Outputs serial strobe signal to the latch control IC (IC3601, pin 1). |
| 4 | BEEP | Outputs beep audio signals. |
| 6 | PDAT | Outputs serial data signal for the PLL circuits. |
| 7 | PCK | Outputs serial clock signal for the PLL circuit. |
| 19 | PWRS | Outputs switching relay (PA unit; RL6701) control signal. |
| 23 | DRES | Outputs the RESET signal. |
| 24 | STBO | Outputs strobe signal for the DSP IC. |
| 26 | RQO | Outputs data signal for the DSP IC. |
| 27 | RQI | Outputs serial data signal for the DSP IC. |
| 28 | DO | Input port for the serial data signal from the DSP IC. |
| 29 | NMEI | Input port for the NMEA signal. |
| 30 | NMEO | Outputs NMEA signal for PLL unit. |
| 32 | NMEI2 | Input port for the GPS signal from the PLL unit. |
| 33 | LSTB | Outputs serial strobe signal for the IC3602, IC3603. |
| 34 | DSTB | Outputs strobe signal for the D/A converter IC (IC3606). |
| 37 | LCK | Outputs serial clock signal for IC3602–IC3605, D/A converter IC (IC3606) and DSP IC. |
| 38 | LDAT | Outputs serial data signal for the IC3602, IC3603 and D/A converter IC (IC3606). |
| 47 | MSTB | Outputs serial strobe signal for the IC3603, IC3605. |
| 48 | PSTB | Outputs PLL strobe control signal for the LATCH controller (IC3601). |
| 49 | SQLC | Outputs squelch control signal for the SQL switching IC (IC1701). |
| 79 | UNLK | Input port for PLL unlock signal. |
| 80 | KEYS | Input port for the optional antenna tuner key control signal via the PA unit. |
| 89 | EDT | I/O port for the serial data signals from/to the EEPROM (IC3301, pin 5). |

MAIN CPU (MAIN UNIT; IC3303)—continued

| Pin number | Port name | Description |
|------------|-----------|--|
| 90 | ECK | Outputs serial clock signal for the EEPROM (IC3301, pin 6). |
| 92 | ASEN | Input port for the SEND signal from the accessory connector (J1801). |
| 93 | TEMP | Input port for the power amplifier temperature signal from the PA unit. |
| 94 | NSEN | Input port for the SEND signal from the AF/MOD connector (PLL unit; J5051, pin 8) via the J3602. |
| 97 | RFML | Input port for the RF/ANTC meter's voltage from the meter amplifier (IC1201, pin 14). |

4-6-2 OUTPUT EXPANDER IC FOR THE PLL STROBE (MAIN UNIT; IC3601)

| Pin number | Port name | Description |
|------------|-----------|---|
| 4 | PST1 | Outputs strobe signal for the DDS IC (PLL unit; IC5101, pin 91). |
| 5 | PST2 | Outputs strobe signal for the PLL IC (PLL unit; IC5401, pins 13). |
| 6 | PST3 | Outputs strobe signal for the DDS IC (PLL unit; IC5701, pin 41). |

4-6-3 OUTPUT EXPANDER IC FOR THE PLL UNIT (MAIN UNIT; IC3602)

| Pin number | Port name | Description |
|------------|-----------|--|
| 4 | L0S | Outputs 1.6–2.499999 MHz low-pass filter control signal. |
| 5 | L1S | Outputs 2.5–3.499999 MHz low-pass filter control signal. |
| 6 | L2S | Outputs 3.5–5.499999 MHz low-pass filter control signal. |
| 7 | L3S | Outputs 5.5–8.999999 MHz low-pass filter control signal. |
| 13 | L5S | Outputs 15–29.999999 MHz low-pass filter control signal. |
| 14 | L4S | Outputs 9–14.999999 MHz low-pass filter control signal. |

4-6-4 OUTPUT EXPANDER IC FOR BANDPASS FILTERS (MAIN UNIT; IC3604)

| Pin number | Port name | Description |
|------------|-----------|--|
| 4 | B0S | Outputs 0.5–1.999999 MHz bandpass filter control signal. |
| 5 | B1S | Outputs 2–2.999999 MHz bandpass filter control signal. |
| 6 | B2S | Outputs 3–4.999999 MHz bandpass filter control signal. |
| 7 | B3S | Outputs 5–6.999999 MHz bandpass filter control signal. |
| 11 | B7S | Outputs 18–23.999999 MHz bandpass filter control signal. |
| 12 | B6S | Outputs 14–17.999999 MHz bandpass filter control signal. |
| 13 | B5S | Outputs 10–13.999999 MHz bandpass filter control signal. |
| 14 | B4S | Outputs 7–9.999999 MHz bandpass filter control signal. |

4-6-6 D/A CONVERTER IC (MAIN UNIT; IC3606)

| Pin number | Port name | Description |
|------------|-----------|---|
| 5 | POCV | Outputs transmit power control signal. The signal is applied to the ALC amplifier (IC1201, pin 3) and RF amplifier (Q701). |
| 11 | FANS | Outputs the cooling fan control signal. The signal is applied to the fan controller (PA unit; IC6501, Q6501). |
| 13 | TRXS | Outputs the transmitter/receiver switching signal. The signal is applied to the switching relay circuit (PLL unit; RL7301). |

4-6-5 OUTPUT EXPANDER IC (MAIN UNIT; IC3603)

| Pin number | Port name | Description |
|------------|-----------|---|
| 4 | NMS | Outputs NBDP MOD control signal for the gate mod IC (IC2001, pin 10). |
| 5 | EMS | Outputs external MOD control signal for the gate mode IC (IC2001, pin 11). |
| 6 | MMS | Outputs microphone MOD control signal for the gate mode IC (IC2001, pin 9). |
| 11 | NMR | Outputs NMEA/RS-232C switching signal. |
| 13 | AFMS | Outputs AF mute control signal. |
| 14 | CSEN | Outputs SEND control signal for the buffer amplifier (IC1303, pin 6). |

4-6-7 FRONT CPU PORT ALLOCATIONS (RC-26, DISPLAY BOARD; IC8201)

| Pin number | Port name | Description | | | | | | | | | | | |
|------------------|----------------|---|------------|------------|---------|----|----------|-----|------------------|----------------|-----|--|-------|
| 15–17 | CS WR RD | Outputs LCD drive signals. | | | | | | | | | | | |
| 21 | CALK | Input port for the [CALL] switch. Low: [CALL] switch is pushed. | | | | | | | | | | | |
| 22 | UPK | Input port for the [▲] switch. Low: [▲] switch is pushed. | | | | | | | | | | | |
| 23 | UNK | Input port for the [▼] switch. Low: [▼] switch is pushed. | | | | | | | | | | | |
| 24 | SELA | Input port for the select dial A signal. | | | | | | | | | | | |
| 25 | SELB | Input port for the select dial B signal. | | | | | | | | | | | |
| 27 | PCON | Input port for the [POWER] switch detection signal. Low: [POWER] switch is pushed. | | | | | | | | | | | |
| 28 | IOK | Input port for the [I/O] switch. | | | | | | | | | | | |
| 31 | MUDK | Input port for [▲], [▼] switches from the microphone (HM-143). | | | | | | | | | | | |
| 32 | MPTT | Input port for the [PTT] switch from the microphone connector (J8701, pin 5). | | | | | | | | | | | |
| 37 | DIM | Outputs LCD back light dimmer control signal. | | | | | | | | | | | |
| | | <table border="1"> <thead> <tr> <th>Dimmer</th> <th>Brightness</th> <th>Voltage</th> </tr> </thead> <tbody> <tr> <td rowspan="2">ON</td> <td>0 (dark)</td> <td>0 V</td> </tr> <tr> <td>1 to 10 (bright)</td> <td>0.8 V to 3.6 V</td> </tr> <tr> <td>OFF</td> <td></td> <td>5.6 V</td> </tr> </tbody> </table> | Dimmer | Brightness | Voltage | ON | 0 (dark) | 0 V | 1 to 10 (bright) | 0.8 V to 3.6 V | OFF | | 5.6 V |
| | | Dimmer | Brightness | Voltage | | | | | | | | | |
| | | ON | 0 (dark) | 0 V | | | | | | | | | |
| 1 to 10 (bright) | 0.8 V to 3.6 V | | | | | | | | | | | | |
| OFF | | 5.6 V | | | | | | | | | | | |
| 39 | ETXD | Outputs cloning data. | | | | | | | | | | | |
| 40 | ERXD | Input port for cloning data. | | | | | | | | | | | |
| 48 | SCNK | Input port for the [SCAN] switch Low: [SCAN] switch is pushed. | | | | | | | | | | | |
| 49 | TUNK | Input port for the [TUNE] switch Low: [TUNE] switch is pushed. | | | | | | | | | | | |
| 50 | MUTK | Input port for the [MUTE] switch Low: [MUTE] switch is pushed. | | | | | | | | | | | |
| 51 | EMGK | Input port for the [EMG] switch Low: [EMG] switch is pushed. | | | | | | | | | | | |
| 52 | TRK | Input port for the [←] switch Low: [←] switch is pushed. | | | | | | | | | | | |
| 53 | TLK | Input port for the [→] switch Low: [→] switch is pushed. | | | | | | | | | | | |
| 54 | T0K | Input port for the [0] switch Low: [0] switch is pushed. | | | | | | | | | | | |
| 55 | T9K | Input port for the [9] switch. Low: [9] switch is pushed. | | | | | | | | | | | |
| 57 | T8K | Input port for the [8] switch. Low: [8] switch is pushed. | | | | | | | | | | | |

| Pin number | Port name | Description |
|------------|-----------|---|
| 58 | T7K | Input port for the [7] switch. Low: [7] switch is pushed. |
| 59 | T6K | Input port for the [6] switch. Low: [6] switch is pushed. |
| 60 | T5K | Input port for the [5] switch. Low: [5] switch is pushed. |
| 61 | T4K | Input port for the [4] switch. Low: [4] switch is pushed. |
| 62 | T3K | Input port for the [3] switch. Low: [3] switch is pushed. |
| 63 | T2K | Input port for the [2] switch. Low: [2] switch is pushed. |
| 64 | T1K | Input port for the [1] switch. Low: [1] switch is pushed. |
| 65–72 | DB0–DB7 | I/O ports for LCD driver control signals. |
| 74 | RS | Outputs resistor select signal for the LCD driver. High: Index resistor is selected. Low: Data resistor is selected. |
| 75 | RES | Outputs reset signal for the LCD driver. Low: The LCD driver is reseted. |
| 76 | MSEL | Outputs mic gain select signal. High: Capacitor microphone is selected. Low: Moving-conductor microphone is selected. |
| 77 | MBKS | Outputs microphone key back light control signal. Low: Lights ON. |

SECTION 5 ADJUSTMENT PROCEDURES

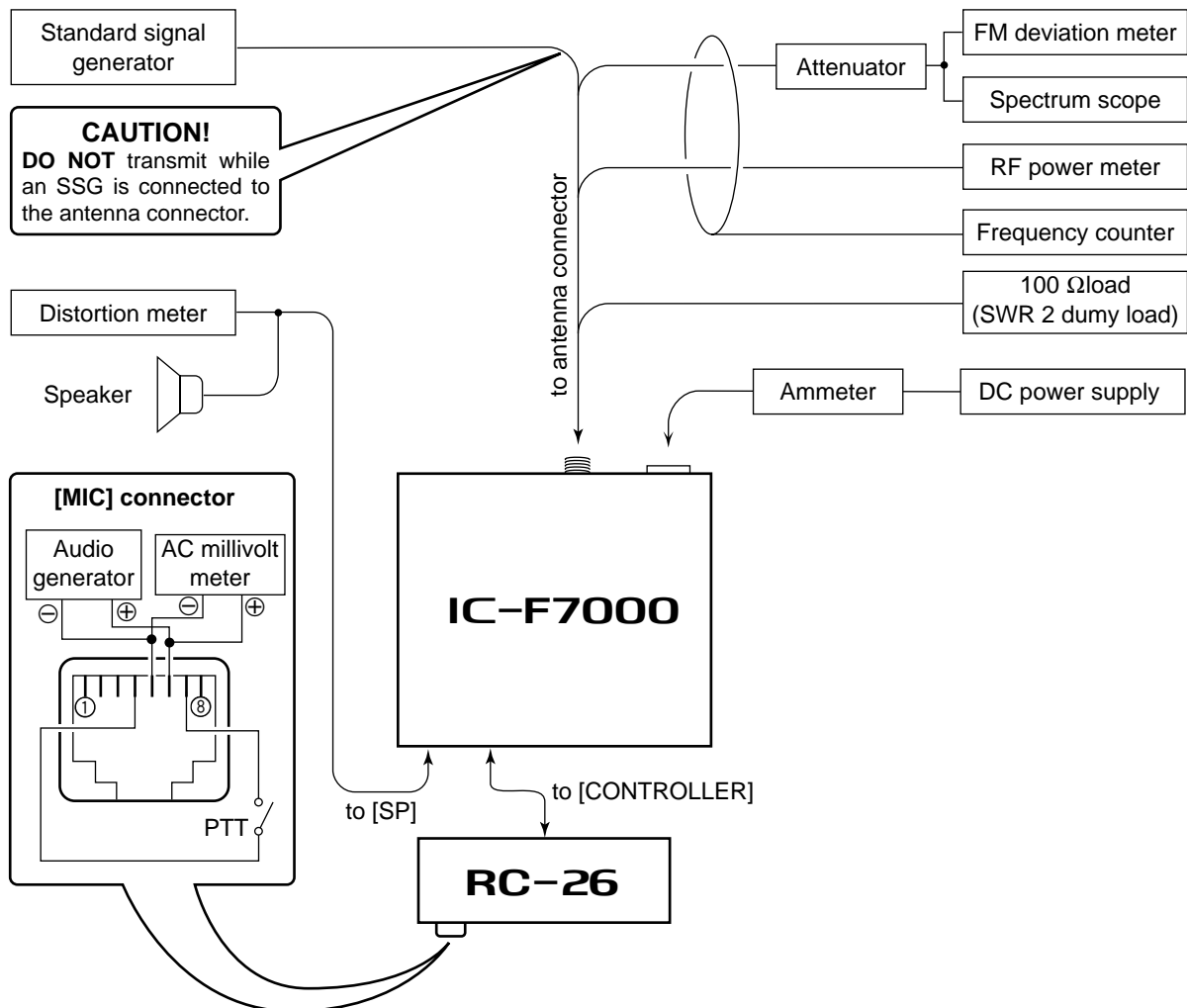
5-1 PREPARATION

When adjusting the contents on page 5-9, a JIG CABLE (see illustration as below) is required. Some adjustments must be performed on the "ADJUSTMENT MODE". Entering the "ADJUSTMENT MODE", refer to the next page in detail.

■ REQUIRED TEST EQUIPMENT

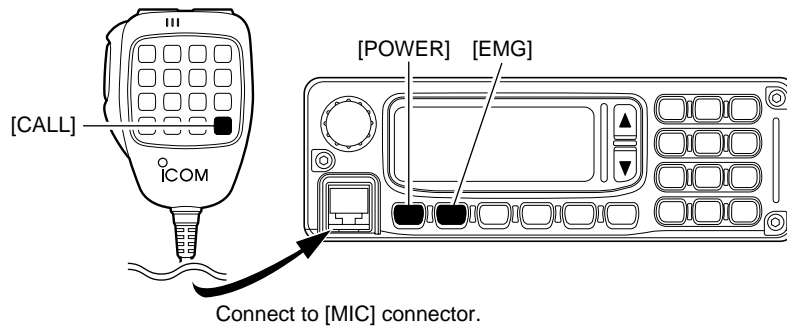
| EQUIPMENT | GRADE AND RANGE | EQUIPMENT | GRADE AND RANGE |
|----------------------------------|--|---------------------------------|--|
| DC power supply | Output voltage : 13.8 V DC Current capacity : 25 A or more | Audio generator | Frequency range : 300–3000 Hz Output level : 1–500 mV |
| RF power meter (terminated type) | Measuring range : 1–200 W Frequency range : 0.5–50 MHz Impedance : 50 Ω SWR : Less than 1.2 : 1 | Attenuator | Power attenuation : 50 or 60 dB Capacity : 150 W or more |
| Frequency counter | Frequency range : 0.1–50 MHz Frequency accuracy : ±1 ppm or better Sensitivity : 100 mV or better | Standard signal generator (SSG) | Frequency range : 0.5–30 MHz Output level : 0.1 μV–32 mV (–127 to –17 dBm) |
| FM deviation meter | Frequency range : DC–50 MHz Measuring range : 0 to ±5 kHz | DC voltmeter | Input impedance : 50 kΩ/V DC or better |
| Digital multimeter | Input impedance : 10 MΩ/V DC or better | Oscilloscope | Frequency range : DC–20 MHz Measuring range : 0.01–20 V |
| | | AC millivoltmeter | Measuring range : 10 mV–10 V |

• CONNECTION



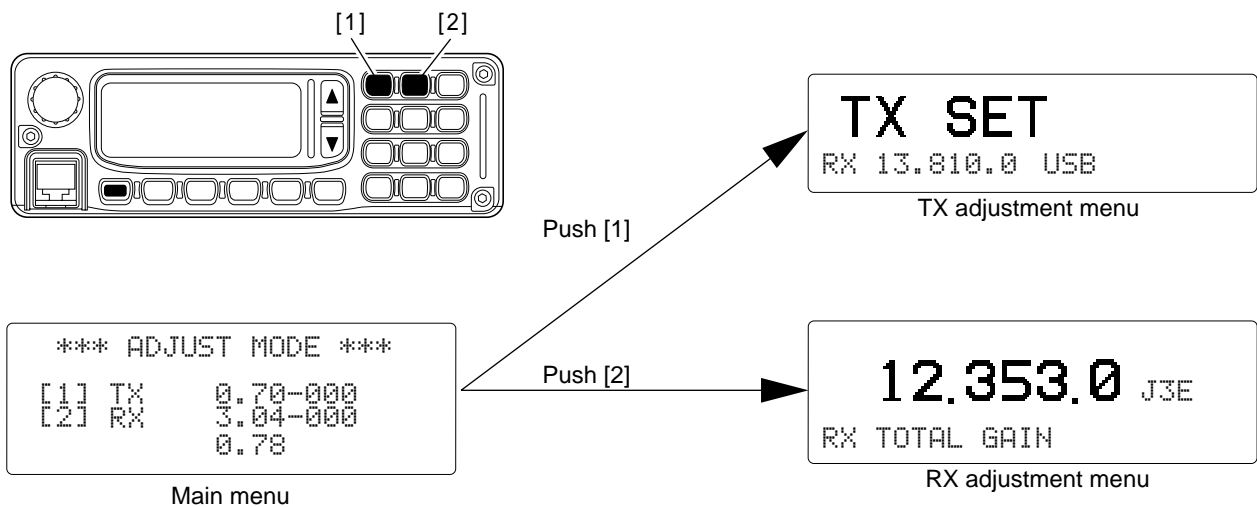
■ ENTERING THE ADJUSTMENT MODE

- ① Turn the power OFF.
- ② Push and hold the HM-146's [CALL] and RC-26's [EMG] switches, then turn the power ON.

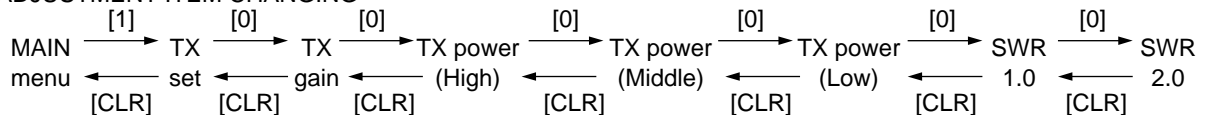


■ OPERATING ON THE ADJUSTMENT MODE

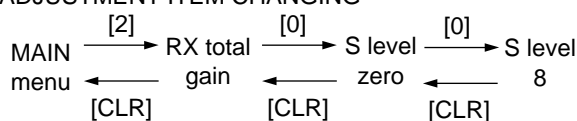
- Enter the TX adjustment from the MAIN menu. : Push the RC-26 [1] button
- Enter the RX adjustment from the MAIN menu. : Push the RC-26 [2] button
- Change the adjustmet value. : Turn the RC-26 [VOL]
- Write the adjustment data to the memory, and then change the next adjustmet item. : Push the RC-26 [OK ►] button
- Selects the next adjustment item. : Push the RC-26 [0] button
- Selects to the previous adjustment item. : Push the RC-26 [◀ CLR] button



• TX ADJUSTMENT ITEM CHANGING



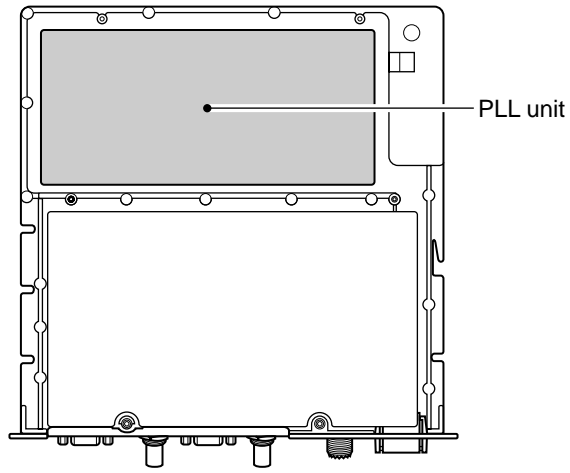
• RX ADJUSTMENT ITEM CHANGING



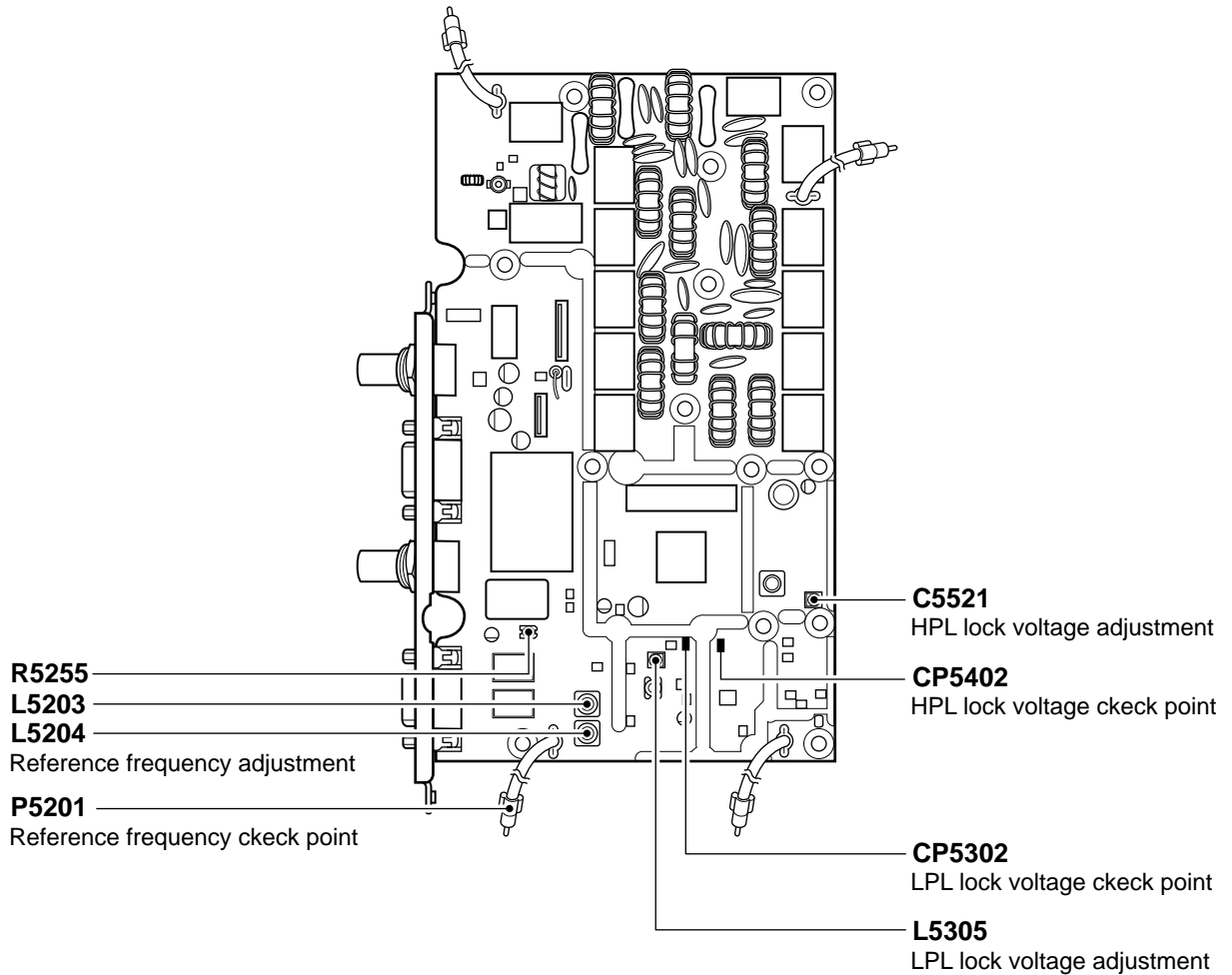
5-2 PLL UNIT ADJUSTMENT

| ADJUSTMENT | ADJUSTMENT CONDITIONS | MEASUREMENT | | VALUE | ADJUSTMENT | |
|---------------------|--|-------------|--|---|------------|---------------|
| | | UNIT | LOCATION | | UNIT | ADJUST |
| LPL LOCK VOLTAGE | 1 <ul style="list-style-type: none"> Operating frequency : 0.5000 MHz Mode : J3E Receiving | PLL | Connect a digital multi meter or oscilloscope to the check point CP5301. | 1.0 V | PLL | C5305 |
| | 2 <ul style="list-style-type: none"> Operating frequency : 0.4999 MHz Receiving | | | Less than 4.0 V | | Verify |
| HPL LOCK VOLTAGE | 1 <ul style="list-style-type: none"> Operating frequency : 29.9999 MHz Mode : J3E Receiving | PLL | Connect a digital multi meter or oscilloscope to the check point CP5401. | 4.2 V | PLL | C5521 |
| | 2 <ul style="list-style-type: none"> Operating frequency : 0.0300 MHz Receiving | | | More than 0.8 V | | Verify |
| REFERENCE FREQUENCY | 1 <ul style="list-style-type: none"> Wait for 5 minutes after power ON. Terminate P5201 on the PLL unit to ground with a 50 Ω resistor. Receiving | PLL | Connect an RF volt-meter to the check point P5201. | Maximum level | PLL | L5203, L5204 |
| | 2 | | | Connect a frequency counter to the check point P5201. | | 64.000000 MHz |

• IC-F7000 BOTTOM VIEW



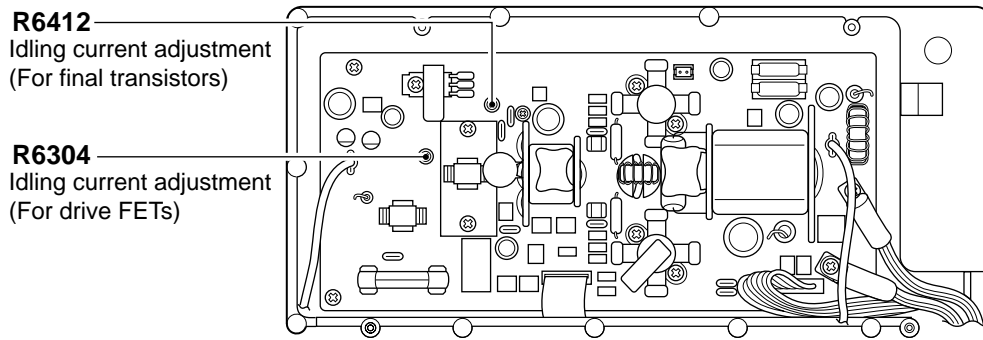
• PLL UNIT TOP VIEW



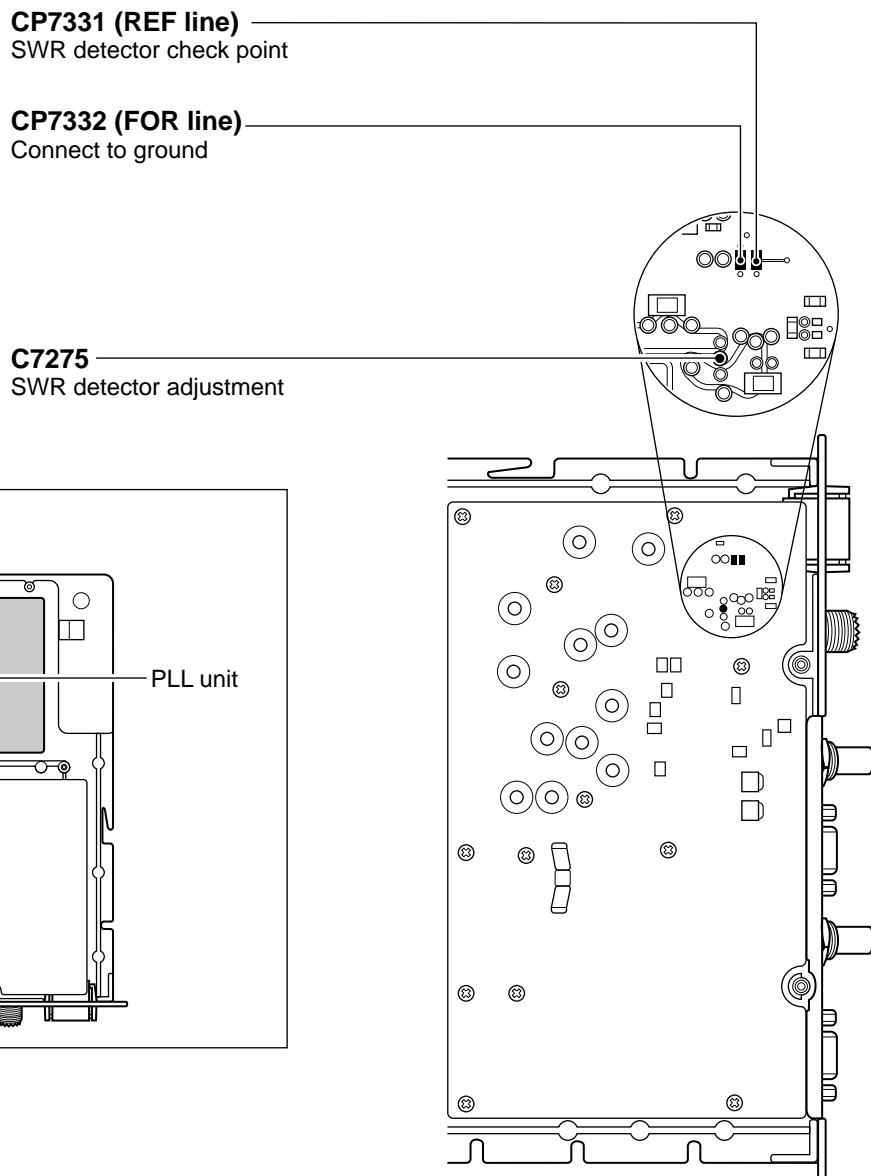
5-3 PA AND FILTER UNITS ADJUSTMENT

| ADJUSTMENT | ADJUSTMENT CONDITIONS | MEASUREMENT | | VALUE | ADJUSTMENT | | |
|---|--|---|--|---|---------------|-----------------|--------------|
| | | UNIT | LOCATION | | UNIT | ADJUST | |
| IDLING CURRENT (For drive FETs) | 1 | <ul style="list-style-type: none"> • Operating frequency : 12.2350 MHz • Mode : J3E • Apply no audio signal to the [MIC] connector. • Disconnect J6702. • Preset R6304 and R6412 on the PA unit to max. counter clockwise. • Preset R6515 on the PA unit to max. clockwise. • Connect a dummy load or RF power meter to the [ANT] connector. • Transmitting | Rear panel | Connect an ammeter (10 A) between an external power supply and the transceiver. | 2.0 A | PA | R6304 |
| | (For final transistors) | 2 | <ul style="list-style-type: none"> • Transmitting | | 0.7 A | | R6412 |
| <ul style="list-style-type: none"> • After adjustment, connect J6701 to the PA unit. | | | | | | | |
| SWR DETECTOR | 1 | <ul style="list-style-type: none"> • Operating frequency : 22.0000 MHz • Mode : J3E • Connect the CP7332 (FOR line) on the FILTER unit to ground. | Rear panel | Connect an RF power meter to the [ANT] connector. | 90 W | Audio generator | Output level |
| | 2 | <ul style="list-style-type: none"> • Connect an audio generator to the [MIC] connector and set as: Frequency : 1.5 kHz Level : OFF • Transmitting | FILTER | Connect a DC voltmeter to the check point, CP7331. | Minimum level | FILTER | C7275 |
| | <ul style="list-style-type: none"> • After adjustment, disconnect CP7332 (FOR line) on the FILTER unit from ground. | | | | | | |

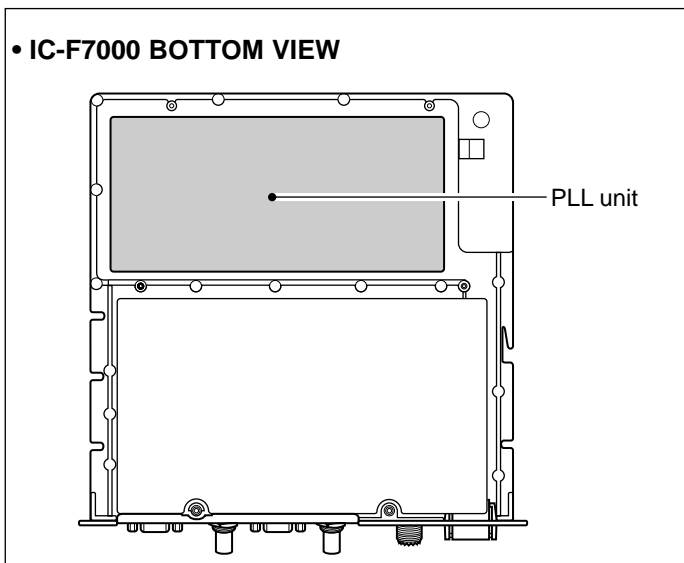
• PA UNIT TOP VIEW



• PLL UNIT BOTTOM VIEW



• IC-F7000 BOTTOM VIEW



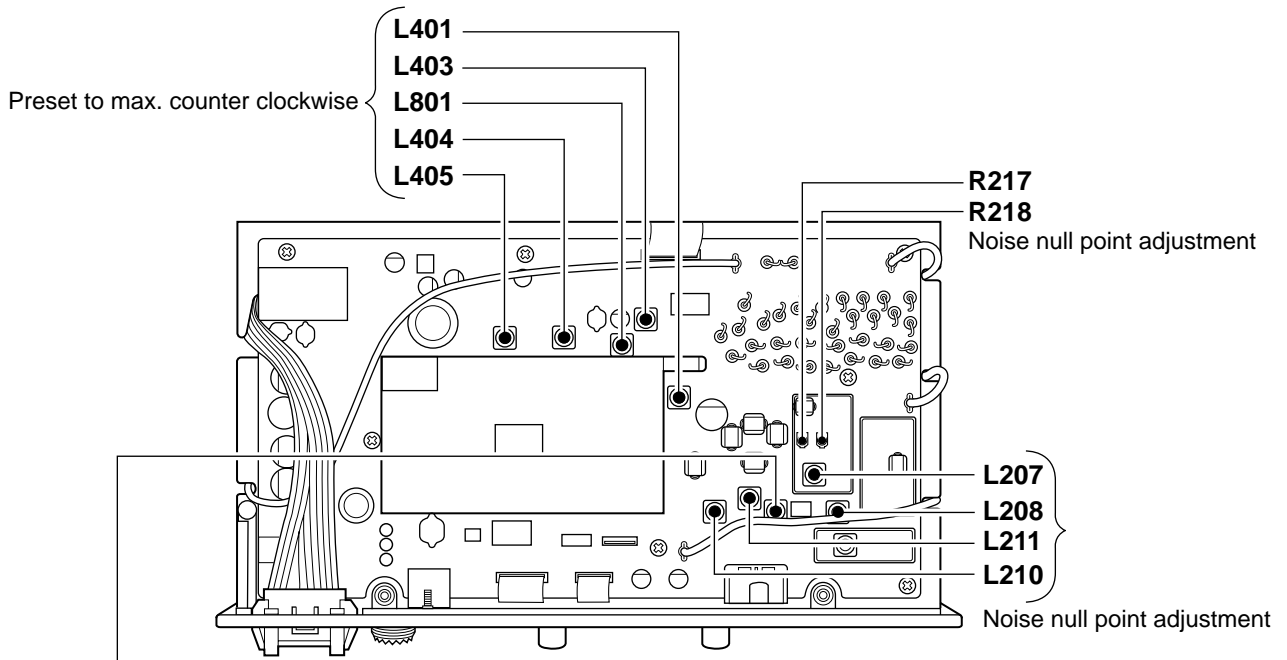
5-4 RECEIVER ADJUSTMENTS

"TOTAL GAIN", "S-METER" and "DSC PEAK" adjustments must be performed at "ADJUSTMENT MODE".

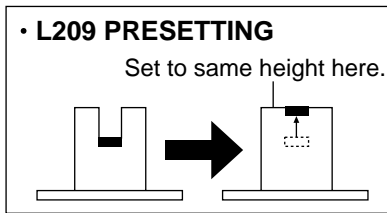
| ADJUSTMENT | ADJUSTMENT CONDITIONS | MEASUREMENT | | VALUE | ADJUSTMENT | |
|------------------|---|---|--|----------------------|------------|------------------------|
| | | UNIT | LOCATION | | UNIT | ADJUST |
| NOISE NULL POINT | 1 <ul style="list-style-type: none"> • Operating frequency : 0.5 MHz • Mode : A3E • Preset L209 parallel to top edge of its chassis. • Preset L401, L403, L404, L405 and L801 to max. counter clockwise. • Set the standard signal generator to OFF (no signal output). • Receiving | Front panel | Connect an AC millivoltmeter to the [SP] jack with a 4 Ω dummy load. | Minimum output level | MAIN | R217, R218 |
| RECEIVER GAIN | 1 <ul style="list-style-type: none"> • Operating frequency : 13.9210 MHz • Mode : J3E • Connect a standard signal generator to the [ANT] connector and set as: <ul style="list-style-type: none"> Frequency : 13.9210 MHz Level : 0.5 μV* (-113 dBm) Modulation : OFF • Receiving | Front panel | Connect an AC millivoltmeter to the [SP] jack with a 4 Ω dummy load. | Maximum output level | MAIN | L207, L208, L210, L211 |
| TOTAL GAIN | 1 <ul style="list-style-type: none"> • While pushing HM-146's [CALL] switch and RC-26's [EMG] switch, then turn power ON. • Push [2] switch to enter the RX adjustment mode. • Connect a standard signal generator to the [ANT] connector and set as: <ul style="list-style-type: none"> Frequency : 13.9210 MHz Level : 320 μV* (-57 dBm) Modulation : OFF • Receiving | <ul style="list-style-type: none"> • Push the [OK] switch to write the adjustment value in the memory. | | | | |
| S-METER | 1 <ul style="list-style-type: none"> • Set the standard signal generator to OFF (no signal output). | <ul style="list-style-type: none"> • Push the [OK] switch to write the adjustment value in the memory. | | | | |
| | 2 <ul style="list-style-type: none"> • Set the standard signal generator as: <ul style="list-style-type: none"> Frequency : 13.9210 MHz Level : 10 mV* (-27 dBm) • Receiving | <ul style="list-style-type: none"> • Push the [OK] switch to write the adjustment value in the memory. | | | | |

*The output level of the standard signal generator (SSG) is indicated as the SSG's open circuit.

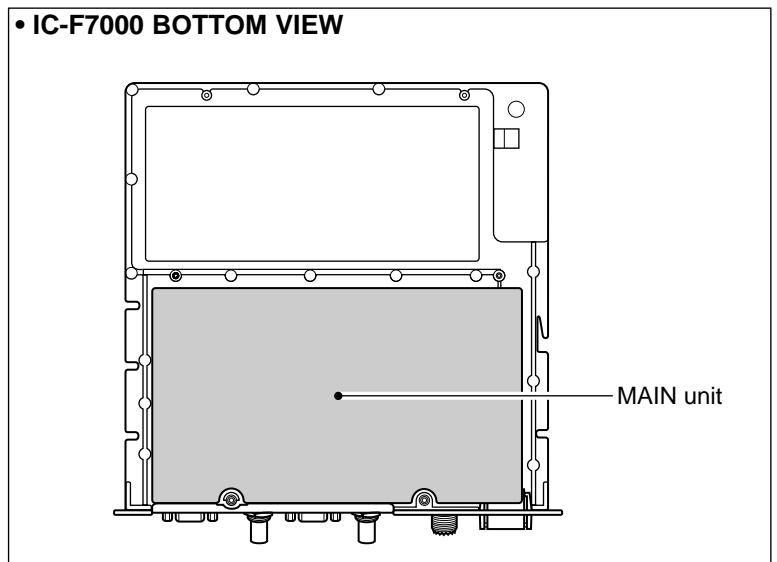
• MAIN UNIT TOP VIEW



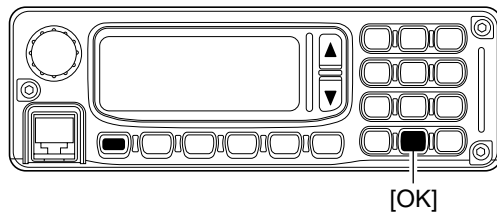
L209
Preset to top edge of its chassis



• IC-F7000 BOTTOM VIEW



• RC-26 FRONT PANEL



5-5 TRANSMITTER ADJUSTMENTS

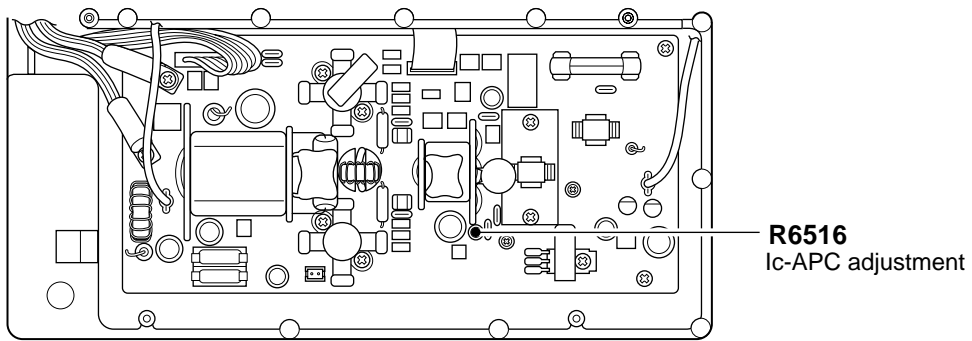
The following adjustments must be performed at "ADJUSTMENT MODE" after "SWR DETECTOR" and "RECEIVER" ADJUSTMENTS in the SECTION 5-3 and 5-4.

| ADJUSTMENT | ADJUSTMENT CONDITIONS | MEASUREMENT | | VALUE | ADJUSTMENT | | |
|--|-----------------------|---|------------|---|---------------------------|--------|------------|
| | | UNIT | LOCATION | | UNIT | ADJUST | |
| TRANSMIT PEAK AND TOTAL GAIN (TX PEAK) | 1 | <ul style="list-style-type: none"> While pushing HM-146's [CALL] switch and RX-26's [EMG] switch, turn power ON. Connect an audio generator to the [MIC] connector and set as: Frequency : 1.5 kHz Level : 3 mV Push [1] switch to enter the TX adjustment mode (LCD displayed: "TX SET"). Push [ENT] switch, then the transceiver is transmitting. | Rear panel | Connect an RF power meter to the [ANT] connector. | Maximum output power | MAIN | L706 |
| | (TOTAL GAIN) | | | | | | |
| TX POWER (HIGH) | 1 | <ul style="list-style-type: none"> LCD displayed : "TX POWER HIGH" Set the audio generator as: Frequency : 1.5 kHz Level : 30 mV | Rear panel | Connect an RF power meter to the [ANT] connector. | 88 W [AUS] 125 W [OTH] | RC-26 | [VOL] DIAL |
| | | | | | | | |
| (MIDDLE) | 1 | <ul style="list-style-type: none"> LCD displayed : "TX POWER MID" Set the audio generator as: Frequency : 1.5 kHz Level : 30 mV | Rear panel | Connect an RF power meter to the [ANT] connector. | 50 W | RC-26 | [VOL] DIAL |
| | | | | | | | |
| (LOW) | 1 | <ul style="list-style-type: none"> LCD displayed : "TX POWER LOW" Set the audio generator as: Frequency : 1.5 kHz Level : 30 mV | Rear panel | Connect an RF power meter to the [ANT] connector. | 10 W | RC-26 | [VOL] DIAL |
| | | | | | | | |
| SWR DETECTOR | 1 | <ul style="list-style-type: none"> LCD displayed : "SWR1.0" | Rear panel | Connect an RF power meter to the [ANT] connector. | | | |
| | | | | | | | |

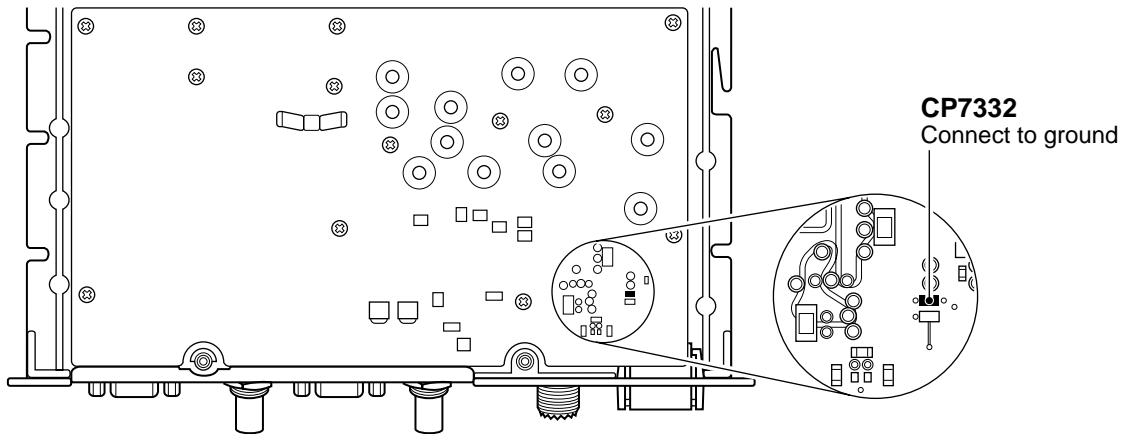
TRANSMITTER ADJUSTMENTS—Continued

| ADJUSTMENT | ADJUSTMENT CONDITIONS | MEASUREMENT | | VALUE | ADJUSTMENT | |
|------------|-----------------------|-------------|---|------------------------------|------------|--------|
| | | UNIT | LOCATION | | UNIT | ADJUST |
| IC-APC | 1 | Rear panel | Connect an ammeter (50 A) between an external power supply and the transceiver. | 24.0 A [AUS] 28.0 A [OTH] | PA | R6516 |
| | 2 | | | | | |

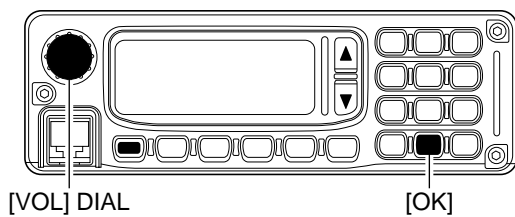
• PA UNIT TOP VIEW



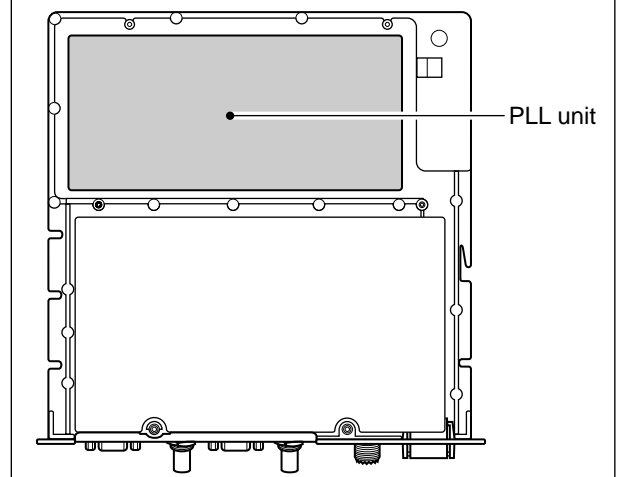
• PLL UNIT BOTTOM VIEW



• RC-26 FRONT PANEL



• IC-F7000 BOTTOM VIEW



SECTION 6 PARTS LIST

6-1 IC-F7000

[MAIN UNIT]

| REF NO. | ORDER NO. | DESCRIPTION | M. |
|---------|------------|---------------------------------|----|
| IC1 | 1110004080 | S.IC μPC2709T-E3 | T |
| IC101 | 1130011640 | S.IC IS62C1024L-45T <ACE> | T |
| IC301 | 1110004080 | S.IC μPC2709T-E3 | T |
| IC501 | 1110005460 | S.IC TA4107F (TE12L) | T |
| IC901 | 1110005460 | S.IC TA4107F (TE12L) | T |
| IC1001 | 1130006220 | S.IC TC4W53FU (TE12L) | T |
| IC1002 | 1110005450 | S.IC TS522IDT | T |
| IC1051 | 1110005450 | S.IC TS522IDT | T |
| IC1101 | 1110005450 | S.IC TS522IDT | T |
| IC1201 | 1110005140 | S.IC NJM3403AV-TE1 | T |
| IC1301 | 1160000130 | S.IC TD62783AF (S,EL) | T |
| IC1302 | 1160000130 | S.IC TD62783AF (S,EL) | T |
| IC1501 | 1180000420 | S.IC TA78L05F (TE12R) | T |
| IC1502 | 1180002010 | S.REG BA08FP-E2 | T |
| IC1551 | 1110001400 | S.IC μPC1555G2-T1 | T |
| IC1601 | 1110003090 | IC LA4425A | T |
| IC1602 | 1130006220 | S.IC TC4W53FU (TE12L) | T |
| IC1651 | 1110005450 | S.IC TS522IDT | T |
| IC1702 | 1110005450 | S.IC TS522IDT | T |
| IC1703 | 1130006220 | S.IC TC4W53FU (TE12L) | T |
| IC2001 | 1130008230 | S.IC BU4053BCFV-E2 | T |
| IC3101 | 1180000420 | S.IC TA78L05F (TE12R) | T |
| IC3201 | 1130005720 | S.IC TC7W04F (TE12L) | T |
| IC3301 | 1130011140 | S.IC CAT24WC256K1.8 | T |
| IC3302 | 1110006270 | S.IC S-80842CNMC-B83-T2 | T |
| IC3303 | 1140011610 | S.IC M30624FGAFP D5 (SX-2620A) | T |
| IC3304 | 1130006440 | S.IC TC7S08F (TE85R) | T |
| IC3601 | 1130007700 | S.IC BU4094BCF-E2 | T |
| IC3602 | 1130007700 | S.IC BU4094BCF-E2 | T |
| IC3603 | 1130007700 | S.IC BU4094BCF-E2 | T |
| IC3604 | 1130007700 | S.IC BU4094BCF-E2 | T |
| IC3606 | 1110003690 | S.IC M62354GP 75EC | T |
| IC3607 | 1130011830 | S.IC TC7SZ32FU (TE85L) | T |
| IC3608 | 1120002790 | S.IC TC74AC574FT (EL) | T |
| Q51 | 1530003090 | S.TRANSISTOR 2SC4213-B (TE85R) | T |
| Q101 | 1590001960 | S.TRANSISTOR XP4311 (TX) | T |
| Q102 | 1530003850 | S.TRANSISTOR 2SC5551F-TD | T |
| Q103 | 1530003850 | S.TRANSISTOR 2SC5551F-TD | T |
| Q104 | 1530002690 | S.TRANSISTOR 2SC4116-GR (TE85R) | T |
| Q105 | 1590000680 | S.TRANSISTOR DTC114EUA T106 | T |
| Q201 | 1560001310 | S.FET MMBFU310LT1 | T |
| Q202 | 1560001310 | S.FET MMBFU310LT1 | T |
| Q203 | 1580000620 | S.FET 3SK131-T2 MAS | T |
| Q204 | 1560001310 | S.FET MMBFU310LT1 | T |
| Q205 | 1560001310 | S.FET MMBFU310LT1 | T |
| Q401 | 1580000620 | S.FET 3SK131-T2 MAS | T |
| Q501 | 1580000620 | S.FET 3SK131-T2 MAS | T |
| Q601 | 1530003850 | S.TRANSISTOR 2SC5551F-TD | T |
| Q701 | 1580000620 | S.FET 3SK131-T2 MAS | T |
| Q702 | 1580000620 | S.FET 3SK131-T2 MAS | T |
| Q703 | 1580000620 | S.FET 3SK131-T2 MAS | T |
| Q801 | 1580000620 | S.FET 3SK131-T2 MAS | T |
| Q1203 | 1510000770 | S.TRANSISTOR 2SA1586-GR (TE85R) | T |
| Q1204 | 1510000770 | S.TRANSISTOR 2SA1586-GR (TE85R) | T |
| Q1205 | 1530003090 | S.TRANSISTOR 2SC4213-B (TE85R) | T |
| Q1206 | 1530003090 | S.TRANSISTOR 2SC4213-B (TE85R) | T |
| Q1207 | 1510000770 | S.TRANSISTOR 2SA1586-GR (TE85R) | T |
| Q1501 | 1540000440 | S.TRANSISTOR 2SD1619-T-TD | T |
| Q1502 | 1540000440 | S.TRANSISTOR 2SD1619-T-TD | T |
| Q1503 | 1590000680 | S.TRANSISTOR DTC114EUA T106 | T |
| Q1504 | 1590000680 | S.TRANSISTOR DTC114EUA T106 | T |
| Q1505 | 1540000440 | S.TRANSISTOR 2SD1619-T-TD | T |
| Q1506 | 1590000680 | S.TRANSISTOR DTC114EUA T106 | T |
| Q1801 | 1540000440 | S.TRANSISTOR 2SD1619-T-TD | T |
| Q1802 | 1590000680 | S.TRANSISTOR DTC114EUA T106 | T |
| Q3031 | 1530002690 | S.TRANSISTOR 2SC4116-GR (TE85R) | T |
| Q3301 | 1530002690 | S.TRANSISTOR 2SC4116-GR (TE85R) | T |
| Q3302 | 1590000680 | S.TRANSISTOR DTC114EUA T106 | T |
| Q3601 | 1510000770 | S.TRANSISTOR 2SA1586-GR (TE85R) | T |
| Q3602 | 1590000680 | S.TRANSISTOR DTC114EUA T106 | T |
| Q3603 | 1590000680 | S.TRANSISTOR DTC114EUA T106 | T |
| Q3605 | 1590000680 | S.TRANSISTOR DTC114EUA T106 | T |
| Q3606 | 1590000680 | S.TRANSISTOR DTC114EUA T106 | T |
| Q3801 | 1510000770 | S.TRANSISTOR 2SA1586-GR (TE85R) | T |
| Q3802 | 1590000680 | S.TRANSISTOR DTC114EUA T106 | T |

[MAIN UNIT]

| REF NO. | ORDER NO. | DESCRIPTION | M. |
|---------|------------|-------------------------------------|----|
| D51 | 1750000810 | S.DIODE UM9957F/TR | T |
| D52 | 1750000810 | S.DIODE UM9957F/TR | T |
| D53 | 1750000580 | S.DIODE 1SV307 (TPH3) | T |
| D54 | 1750000580 | S.DIODE 1SV307 (TPH3) | T |
| D101 | 1750000580 | S.DIODE 1SV307 (TPH3) | T |
| D102 | 1750000580 | S.DIODE 1SV307 (TPH3) | T |
| D103 | 1750000580 | S.DIODE 1SV307 (TPH3) | T |
| D104 | 1750000580 | S.DIODE 1SV307 (TPH3) | T |
| D105 | 1750000580 | S.DIODE 1SV307 (TPH3) | T |
| D106 | 1750000580 | S.DIODE 1SV307 (TPH3) | T |
| D107 | 1750000580 | S.DIODE 1SV307 (TPH3) | T |
| D108 | 1750000580 | S.DIODE 1SV307 (TPH3) | T |
| D109 | 1750000580 | S.DIODE 1SV307 (TPH3) | T |
| D110 | 1750000580 | S.DIODE 1SV307 (TPH3) | T |
| D111 | 1750000580 | S.DIODE 1SV307 (TPH3) | T |
| D112 | 1750000580 | S.DIODE 1SV307 (TPH3) | T |
| D113 | 1750000580 | S.DIODE 1SV307 (TPH3) | T |
| D114 | 1750000580 | S.DIODE 1SV307 (TPH3) | T |
| D115 | 1750000580 | S.DIODE 1SV307 (TPH3) | T |
| D116 | 1750000580 | S.DIODE 1SV307 (TPH3) | T |
| D117 | 1750000580 | S.DIODE 1SV307 (TPH3) | T |
| D118 | 1750000580 | S.DIODE 1SV307 (TPH3) | T |
| D119 | 1750000580 | S.DIODE 1SV307 (TPH3) | T |
| D120 | 1750000580 | S.DIODE 1SV307 (TPH3) | T |
| D121 | 1730002300 | S.ZENER MA8082-M (TX) | T |
| D122 | 1750000580 | S.DIODE 1SV307 (TPH3) | T |
| D123 | 1750000580 | S.DIODE 1SV307 (TPH3) | T |
| D125 | 1790001250 | S.DIODE MA2S111-(TX) | T |
| D127 | 1790001250 | S.DIODE MA2S111-(TX) | T |
| D128 | 1790001250 | S.DIODE MA2S111-(TX) | T |
| D129 | 1790001250 | S.DIODE MA2S111-(TX) | T |
| D130 | 1790001250 | S.DIODE MA2S111-(TX) | T |
| D131 | 1790001250 | S.DIODE MA2S111-(TX) | T |
| D132 | 1750000580 | S.DIODE 1SV307 (TPH3) | T |
| D133 | 1750000580 | S.DIODE 1SV307 (TPH3) | T |
| D134 | 1790001250 | S.DIODE MA2S111-(TX) | T |
| D135 | 1790001240 | S.DIODE MA2S728-(TX) | T |
| D201 | 1750000580 | S.DIODE 1SV307 (TPH3) | T |
| D202 | 1750000580 | S.DIODE 1SV307 (TPH3) | T |
| D203 | 1750000580 | S.DIODE 1SV307 (TPH3) | T |
| D204 | 1750000580 | S.DIODE 1SV307 (TPH3) | T |
| D205 | 1750000580 | S.DIODE 1SV307 (TPH3) | T |
| D206 | 1750000580 | S.DIODE 1SV307 (TPH3) | T |
| D207 | 1750000580 | S.DIODE 1SV307 (TPH3) | T |
| D301 | 1750000580 | S.DIODE 1SV307 (TPH3) | T |
| D302 | 1750000580 | S.DIODE 1SV307 (TPH3) | T |
| D303 | 1750000430 | S.DIODE HSB88WSTR | T |
| D304 | 1750000580 | S.DIODE 1SV307 (TPH3) | T |
| D305 | 1750000580 | S.DIODE 1SV307 (TPH3) | T |
| D401 | 1750000580 | S.DIODE 1SV307 (TPH3) | T |
| D403 | 1750000580 | S.DIODE 1SV307 (TPH3) | T |
| D601 | 1750000580 | S.DIODE 1SV307 (TPH3) | T |
| D901 | 1750000580 | S.DIODE 1SV307 (TPH3) | T |
| D902 | 1750000580 | S.DIODE 1SV307 (TPH3) | T |
| D1501 | 1790001670 | S.DIODE RB706F-40T106 | T |
| D1502 | 1790001670 | S.DIODE RB706F-40T106 | T |
| D1551 | 1730002320 | S.ZENER MA8051-M (TX) | T |
| D1552 | 1790001670 | S.DIODE RB706F-40T106 | T |
| D1554 | 1730002280 | S.ZENER MA8091-M (TX) | T |
| D3001 | 1790001670 | S.DIODE RB706F-40T106 | T |
| D3002 | 1790001670 | S.DIODE RB706F-40T106 | T |
| D3003 | 1790001670 | S.DIODE RB706F-40T106 | T |
| D3006 | 1790001670 | S.DIODE RB706F-40T106 | T |
| D3007 | 1790001670 | S.DIODE RB706F-40T106 | T |
| D3031 | 1790001250 | S.DIODE MA2S111-(TX) | T |
| D3301 | 1790001250 | S.DIODE MA2S111-(TX) | T |
| D3302 | 1790001250 | S.DIODE MA2S111-(TX) | T |
| D3303 | 1790001250 | S.DIODE MA2S111-(TX) | T |
| D3802 | 1790001250 | S.DIODE MA2S111-(TX) | T |
| FI201 | 2010002580 | S.FILTER FL-348 (64.455 MHz) | T |
| FI401 | 2020001960 | CERAMIC CFWLB455KHFA-B0 (CFWM455H) | T |
| FI402 | 2020001330 | CERAMIC CFWLA455KHFA-B0 (CFWS455HT) | T |
| X3301 | 6050010501 | S.XTAL CR-636A (14.7456 MHz) | T |
| X3302 | 6050011030 | S.XTAL DMX-26S 32.768KHZ | T |

M.=Mounted side (T: Mounted on the Top side, B: Mounted on the Bottom side)

S.=Surface mount

[MAIN BOARD]

| REF NO. | ORDER NO. | DESCRIPTION | M. |
|---------|------------|---------------------------------------|----|
| L1 | 6200010670 | S.COIL C2520C-R18G (0.18U) | T |
| L2 | 6200010740 | S.COIL C2520C-R27G-A | T |
| L3 | 6200002860 | S.COIL NL 252018T-4R7J | T |
| L4 | 6200002040 | S.COIL NL 252018T-101J | T |
| L51 | 6180003440 | COIL ELEAH 4R7JA | T |
| L52 | 6200005010 | S.COIL NL 252018T-100J | T |
| L53 | 6180003460 | COIL ELEAH 3R9JA | T |
| L54 | 6200002040 | S.COIL NL 252018T-101J | T |
| L55 | 6200002040 | S.COIL NL 252018T-101J | T |
| L56 | 6200002040 | S.COIL NL 252018T-101J | T |
| L57 | 6200005490 | S.COIL NL 322522T-331J | T |
| L101 | 6180003460 | COIL ELEAH 3R9JA | T |
| L102 | 6180003520 | COIL ELEAH 2R7JA | T |
| L103 | 6200002040 | S.COIL NL 252018T-101J | T |
| L104 | 6180003400 | COIL SP0406-1R5K-6 | T |
| L105 | 6200002040 | S.COIL NL 252018T-101J | T |
| L106 | 6180003390 | COIL SP0406-1R2K-6 | T |
| L107 | 6200002040 | S.COIL NL 252018T-101J | T |
| L108 | 6180003480 | COIL SP0406-R82K-6 | T |
| L109 | 6200002040 | S.COIL NL 252018T-101J | T |
| L110 | 6180003470 | COIL SP0406-R56K-6Z | T |
| L111 | 6200002040 | S.COIL NL 252018T-101J | T |
| L112 | 6180003370 | COIL SP0406-R68K-6Z | T |
| L113 | 6200002040 | S.COIL NL 252018T-101J | T |
| L114 | 6180003340 | COIL SP0406-R33K-6Z | T |
| L115 | 6200002040 | S.COIL NL 252018T-101J | T |
| L116 | 6180003330 | COIL SP0406-R27K-6Z | T |
| L117 | 6200002040 | S.COIL NL 252018T-101J | T |
| L118 | 6180003440 | COIL ELEAH 4R7JA | T |
| L119 | 6180003450 | COIL ELEAH 3R3JA | T |
| L120 | 6180003410 | COIL SP0406-2R2K-6 | T |
| L121 | 6180003400 | COIL SP0406-1R5K-6 | T |
| L122 | 6180003380 | COIL SP0406-1R0K-6 | T |
| L123 | 6180003370 | COIL SP0406-R68K-6Z | T |
| L124 | 6180003360 | COIL SP0406-R47K-6Z | T |
| L125 | 6180003350 | COIL SP0406-R39K-6Z | T |
| L126 | 6180003340 | COIL SP0406-R33K-6Z | T |
| L127 | 6180003450 | COIL ELEAH 3R3JA | T |
| L128 | 6180003410 | COIL SP0406-2R2K-6 | T |
| L129 | 6180003370 | COIL SP0406-R68K-6Z | T |
| L130 | 6180003360 | COIL SP0406-R47K-6Z | T |
| L131 | 6180003340 | COIL SP0406-R33K-6Z | T |
| L132 | 6180003330 | COIL SP0406-R27K-6Z | T |
| L133 | 6200002040 | S.COIL NL 252018T-101J | T |
| L134 | 6180003400 | COIL SP0406-1R5K-6 | T |
| L135 | 6180003380 | COIL SP0406-1R0K-6 | T |
| L136 | 6180003480 | COIL SP0406-R82K-6 | T |
| L137 | 6180003470 | COIL SP0406-R56K-6Z | T |
| L138 | 6180003360 | COIL SP0406-R47K-6Z | T |
| L139 | 6180003340 | COIL SP0406-R33K-6Z | T |
| L140 | 6200002040 | S.COIL NL 252018T-101J | T |
| L141 | 6180003420 | COIL SP0406-1R8K-6 | T |
| L142 | 6180003420 | COIL SP0406-1R8K-6 | T |
| L143 | 6180003480 | COIL SP0406-R82K-6 | T |
| L144 | 6200002040 | S.COIL NL 252018T-101J | T |
| L145 | 6200002040 | S.COIL NL 252018T-101J | T |
| L146 | 6200002040 | S.COIL NL 252018T-101J | T |
| L147 | 6200003220 | S.COIL NL 322522T-151J | T |
| L148 | 6140003800 | COIL LR-439 | T |
| L149 | 6200009690 | S.COIL LQH43CN101K01L (LQH 4C 101K04) | T |
| L150 | 6200002040 | S.COIL NL 252018T-101J | T |
| L151 | 6200009690 | S.COIL LQH43CN101K01L (LQH 4C 101K04) | T |
| L152 | 6140003810 | COIL LR-440 | T |
| L153 | 6140003810 | COIL LR-440 | T |
| L154 | 6200002040 | S.COIL NL 252018T-101J | T |
| L155 | 6140003800 | COIL LR-439 | T |
| L156 | 6200009690 | S.COIL LQH43CN101K01L (LQH 4C 101K04) | T |
| L157 | 6200003220 | S.COIL NL 322522T-151J | T |
| L201 | 6200002040 | S.COIL NL 252018T-101J | T |
| L202 | 6200010740 | S.COIL C2520C-R27G-A | T |
| L203 | 6200010740 | S.COIL C2520C-R27G-A | T |
| L204 | 6140003620 | COIL LR-403 | T |
| L206 | 6130002960 | S.COIL 617DB-1327=P3 | T |
| L207 | 6150005130 | COIL LS-541 | T |
| L208 | 6150004280 | COIL LS-484B (C-14927) | T |
| L209 | 6150004280 | COIL LS-484B (C-14927) | T |
| L210 | 6150004270 | COIL LS-483A (C-14924) | T |
| L211 | 6150004280 | COIL LS-484B (C-14927) | T |
| L212 | 6200010680 | S.COIL C2520C-R22G (0.22U) | T |
| L213 | 6200010680 | S.COIL C2520C-R22G (0.22U) | T |
| L214 | 6200002040 | S.COIL NL 252018T-101J | T |
| L215 | 6200010760 | S.COIL C2520C-27NG-A | T |
| L216 | 6200003280 | S.COIL NL 252018T-2R2J | T |
| L217 | 6200003280 | S.COIL NL 252018T-2R2J | T |
| L301 | 6200010440 | S.COIL C2520C-1R2G (1.2U) | T |
| L302 | 6200010440 | S.COIL C2520C-1R2G (1.2U) | T |
| L303 | 6140002810 | S.COIL LR-317 | T |
| L304 | 6140003530 | COIL LR-395 | T |

[MAIN UNIT]

| REF NO. | ORDER NO. | DESCRIPTION | M. |
|---------|------------|-----------------------------------|----|
| L305 | 6200005010 | S.COIL NL 252018T-100J | T |
| L306 | 6200009870 | S.COIL NL 252018T-120J | T |
| L307 | 6200003280 | S.COIL NL 252018T-2R2J | T |
| L308 | 6200002180 | S.COIL NL 252018T-R12J | T |
| L401 | 6150005140 | COIL LS-542 | T |
| L403 | 6150002291 | COIL LS-450 | T |
| L404 | 6150005140 | COIL LS-542 | T |
| L405 | 6150005140 | COIL LS-542 | T |
| L406 | 6200003520 | S.COIL ELJFB 102K-F | T |
| L502 | 6200003520 | S.COIL ELJFB 102K-F | T |
| L504 | 6200002040 | S.COIL NL 252018T-101J | T |
| L505 | 6200002040 | S.COIL NL 252018T-101J | T |
| L506 | 6200003520 | S.COIL ELJFB 102K-F | T |
| L601 | 6200005010 | S.COIL NL 252018T-100J | T |
| L602 | 6200010730 | S.COIL C2520C-68NG-A | T |
| L603 | 6200010730 | S.COIL C2520C-68NG-A | T |
| L604 | 6200010720 | S.COIL C2520C-56NG-A | T |
| L605 | 6200005010 | S.COIL NL 252018T-100J | T |
| L606 | 6140003820 | COIL LR-441 | T |
| L701 | 6140002810 | S.COIL LR-317 | T |
| L702 | 6200010780 | S.COIL C2520C-1ROG-A | T |
| L703 | 6200010770 | S.COIL C2520C-R68G-A | T |
| L704 | 6200002040 | S.COIL NL 252018T-101J | T |
| L705 | 6200002040 | S.COIL NL 252018T-101J | T |
| L706 | 6150004270 | COIL LS-483A (C-14924) | T |
| L707 | 6140002810 | S.COIL LR-317 | T |
| L801 | 6150004440 | COIL LS-495 | T |
| L901 | 6200002040 | S.COIL NL 252018T-101J | T |
| L902 | 6200002040 | S.COIL NL 252018T-101J | T |
| L903 | 6200002040 | S.COIL NL 252018T-101J | T |
| L904 | 6150005170 | COIL ELENL 102KA | T |
| L1302 | 6200005490 | S.COIL NL 322522T-331J | T |
| L1551 | 6150005170 | COIL ELENL 102KA | T |
| L1552 | 6150005170 | COIL ELENL 102KA | T |
| L1601 | 6170000140 | COIL LW-15 | T |
| L1801 | 6200003950 | S.COIL HF50ACC 322513-T | T |
| L1802 | 6200003950 | S.COIL HF50ACC 322513-T | T |
| L1803 | 6200002040 | S.COIL NL 252018T-101J | T |
| L1804 | 6200002040 | S.COIL NL 252018T-101J | T |
| L1805 | 6200002040 | S.COIL NL 252018T-101J | T |
| L1901 | 6200002040 | S.COIL NL 252018T-101J | T |
| L1902 | 6200002040 | S.COIL NL 252018T-101J | T |
| L1903 | 6200002040 | S.COIL NL 252018T-101J | T |
| L1904 | 6200003950 | S.COIL HF50ACC 322513-T | T |
| L1905 | 6200002040 | S.COIL NL 252018T-101J | T |
| L1906 | 6140002220 | COIL LR-270 (TR6X3X2 3A9) | T |
| L1907 | 6200003950 | S.COIL HF50ACC 322513-T | T |
| L1908 | 6200003950 | S.COIL HF50ACC 322513-T | T |
| L1909 | 6200005010 | S.COIL NL 252018T-100J | T |
| L1911 | 6200003260 | S.COIL NL 322522T-101J | T |
| L1912 | 6200003260 | S.COIL NL 322522T-101J | T |
| L1916 | 6200003260 | S.COIL NL 322522T-101J | T |
| L1917 | 6200003260 | S.COIL NL 322522T-101J | T |
| L2051 | 6200003950 | S.COIL HF50ACC 322513-T | T |
| L2052 | 6200002040 | S.COIL NL 252018T-101J | T |
| L2053 | 6200002040 | S.COIL NL 252018T-101J | T |
| L2054 | 6200003950 | S.COIL HF50ACC 322513-T | T |
| L2055 | 6180003530 | COIL ELEKN 102KA | T |
| L3301 | 6200000970 | S.COIL NL 322522T-100K | T |
| L3601 | 6200003950 | S.COIL HF50ACC 322513-T | T |
| L3602 | 6200003950 | S.COIL HF50ACC 322513-T | T |
| R1 | 7030003230 | S.RESISTOR ERJ3GEYJ 180 V (18 Ω) | T |
| R2 | 7030003370 | S.RESISTOR ERJ3GEYJ 271 V (270 Ω) | T |
| R3 | 7030003370 | S.RESISTOR ERJ3GEYJ 271 V (270 Ω) | T |
| R4 | 7030003320 | S.RESISTOR ERJ3GEYJ 101 V (100 Ω) | T |
| R5 | 7030003230 | S.RESISTOR ERJ3GEYJ 180 V (18 Ω) | T |
| R6 | 7030003370 | S.RESISTOR ERJ3GEYJ 271 V (270 Ω) | T |
| R7 | 7030003370 | S.RESISTOR ERJ3GEYJ 271 V (270 Ω) | T |
| R51 | 7030003370 | S.RESISTOR ERJ3GEYJ 271 V (270 Ω) | T |
| R52 | 7030003370 | S.RESISTOR ERJ3GEYJ 271 V (270 Ω) | T |
| R53 | 7030003370 | S.RESISTOR ERJ3GEYJ 271 V (270 Ω) | T |
| R54 | 7030003430 | S.RESISTOR ERJ3GEYJ 821 V (820 Ω) | T |
| R56 | 7030003360 | S.RESISTOR ERJ3GEYJ 221 V (220 Ω) | T |
| R57 | 7030003370 | S.RESISTOR ERJ3GEYJ 271 V (270 Ω) | T |
| R58 | 7030003370 | S.RESISTOR ERJ3GEYJ 271 V (270 Ω) | T |
| R59 | 7030003440 | S.RESISTOR ERJ3GEYJ 102 V (1 kΩ) | T |
| R60 | 7030003440 | S.RESISTOR ERJ3GEYJ 102 V (1 kΩ) | T |
| R61 | 7030003560 | S.RESISTOR ERJ3GEYJ 103 V (10 kΩ) | T |
| R101 | 7030003370 | S.RESISTOR ERJ3GEYJ 271 V (270 Ω) | T |
| R102 | 7030003370 | S.RESISTOR ERJ3GEYJ 271 V (270 Ω) | T |
| R103 | 7030003370 | S.RESISTOR ERJ3GEYJ 271 V (270 Ω) | T |
| R104 | 7030003370 | S.RESISTOR ERJ3GEYJ 271 V (270 Ω) | T |
| R105 | 7030003370 | S.RESISTOR ERJ3GEYJ 271 V (270 Ω) | T |
| R106 | 7030003370 | S.RESISTOR ERJ3GEYJ 271 V (270 Ω) | T |
| R107 | 7030003370 | S.RESISTOR ERJ3GEYJ 271 V (270 Ω) | T |
| R108 | 7030003370 | S.RESISTOR ERJ3GEYJ 271 V (270 Ω) | T |

M.=Mounted side (T: Mounted on the Top side, B: Mounted on the Bottom side)

S.=Surface mount

[MAIN UNIT]

| REF NO. | ORDER NO. | DESCRIPTION | M. |
|---------|------------|--------------------------------------|----|
| R109 | 7030003370 | S.RESISTOR ERJ3GEYJ 271 V (270 Ω) | T |
| R110 | 7030003370 | S.RESISTOR ERJ3GEYJ 271 V (270 Ω) | T |
| R111 | 7030003370 | S.RESISTOR ERJ3GEYJ 271 V (270 Ω) | T |
| R112 | 7030003370 | S.RESISTOR ERJ3GEYJ 271 V (270 Ω) | T |
| R113 | 7030003370 | S.RESISTOR ERJ3GEYJ 271 V (270 Ω) | T |
| R114 | 7030003280 | S.RESISTOR ERJ3GEYJ 470 V (47 Ω) | T |
| R115 | 7030003280 | S.RESISTOR ERJ3GEYJ 470 V (47 Ω) | T |
| R116 | 7030003440 | S.RESISTOR ERJ3GEYJ 102 V (1 kΩ) | T |
| R117 | 7030003490 | S.RESISTOR ERJ3GEYJ 272 V (2.7 kΩ) | T |
| R118 | 7030003490 | S.RESISTOR ERJ3GEYJ 272 V (2.7 kΩ) | T |
| R119 | 7030003440 | S.RESISTOR ERJ3GEYJ 102 V (1 kΩ) | T |
| R120 | 7030003390 | S.RESISTOR ERJ3GEYJ 391 V (390 Ω) | T |
| R121 | 7030003370 | S.RESISTOR ERJ3GEYJ 271 V (270 Ω) | T |
| R122 | 7030003370 | S.RESISTOR ERJ3GEYJ 271 V (270 Ω) | T |
| R123 | 7030003380 | S.RESISTOR ERJ3GEYJ 331 V (330 Ω) | T |
| R124 | 7030003370 | S.RESISTOR ERJ3GEYJ 271 V (270 Ω) | T |
| R125 | 7030003370 | S.RESISTOR ERJ3GEYJ 271 V (270 Ω) | T |
| R126 | 7030003370 | S.RESISTOR ERJ3GEYJ 271 V (270 Ω) | T |
| R127 | 7030003560 | S.RESISTOR ERJ3GEYJ 103 V (10 kΩ) | T |
| R128 | 7030003380 | S.RESISTOR ERJ3GEYJ 331 V (330 Ω) | T |
| R129 | 7030003380 | S.RESISTOR ERJ3GEYJ 331 V (330 Ω) | T |
| R130 | 7030003500 | S.RESISTOR ERJ3GEYJ 332 V (3.3 kΩ) | T |
| R131 | 7030003860 | S.RESISTOR ERJ3GE JPW V | T |
| R201 | 7030003370 | S.RESISTOR ERJ3GEYJ 271 V (270 Ω) | T |
| R202 | 7030003370 | S.RESISTOR ERJ3GEYJ 271 V (270 Ω) | T |
| R203 | 7030004040 | S.RESISTOR ERJ3GEYJ 4R7 V (4.7 Ω) | T |
| R204 | 7030003410 | S.RESISTOR ERJ3GEYJ 561 V (560 Ω) | T |
| R205 | 7030003410 | S.RESISTOR ERJ3GEYJ 561 V (560 Ω) | T |
| R206 | 7030003410 | S.RESISTOR ERJ3GEYJ 561 V (560 Ω) | T |
| R207 | 7030003440 | S.RESISTOR ERJ3GEYJ 102 V (1 kΩ) | T |
| R208 | 7030003280 | S.RESISTOR ERJ3GEYJ 470 V (47 Ω) | T |
| R209 | 7030003200 | S.RESISTOR ERJ3GEYJ 100 V (10 Ω) | T |
| R210 | 7030005691 | S.RESISTOR ERA3YED 123V | T |
| R211 | 7030003470 | S.RESISTOR ERJ3GEYJ 182 V (1.8 kΩ) | T |
| R212 | 7030003800 | S.RESISTOR ERJ3GEYJ 105 V (1 MΩ) | T |
| R213 | 7030003300 | S.RESISTOR ERJ3GEYJ 680 V (68 Ω) | T |
| R214 | 7030003480 | S.RESISTOR ERJ3GEYJ 222 V (2.2 kΩ) | T |
| R215 | 7030003200 | S.RESISTOR ERJ3GEYJ 100 V (10 Ω) | T |
| R216 | 7030003410 | S.RESISTOR ERJ3GEYJ 561 V (560 Ω) | T |
| R217 | 7310002720 | S.TRIMMER RV-148 (RH03A3AS3X0DA) 472 | T |
| R218 | 7310002720 | S.TRIMMER RV-148 (RH03A3AS3X0DA) 472 | T |
| R219 | 7030003320 | S.RESISTOR ERJ3GEYJ 101 V (100 Ω) | T |
| R220 | 7030003320 | S.RESISTOR ERJ3GEYJ 101 V (100 Ω) | T |
| R221 | 7030003370 | S.RESISTOR ERJ3GEYJ 271 V (270 Ω) | T |
| R222 | 7030003370 | S.RESISTOR ERJ3GEYJ 271 V (270 Ω) | T |
| R223 | 7030003440 | S.RESISTOR ERJ3GEYJ 102 V (1 kΩ) | T |
| R224 | 7030003440 | S.RESISTOR ERJ3GEYJ 102 V (1 kΩ) | T |
| R225 | 7030003370 | S.RESISTOR ERJ3GEYJ 271 V (270 Ω) | T |
| R226 | 7030003440 | S.RESISTOR ERJ3GEYJ 102 V (1 kΩ) | T |
| R227 | 7030003370 | S.RESISTOR ERJ3GEYJ 271 V (270 Ω) | T |
| R228 | 7030003860 | S.RESISTOR ERJ3GE JPW V | T |
| R229 | 7030003860 | S.RESISTOR ERJ3GE JPW V | T |
| R231 | 7030000010 | S.RESISTOR MCR10EZHH JPW (000) | T |
| R301 | 7030003440 | S.RESISTOR ERJ3GEYJ 102 V (1 kΩ) | T |
| R302 | 7030003280 | S.RESISTOR ERJ3GEYJ 470 V (47 Ω) | T |
| R303 | 7030003320 | S.RESISTOR ERJ3GEYJ 101 V (100 Ω) | T |
| R307 | 7030003440 | S.RESISTOR ERJ3GEYJ 102 V (1 kΩ) | T |
| R309 | 7030003440 | S.RESISTOR ERJ3GEYJ 102 V (1 kΩ) | T |
| R310 | 7030003250 | S.RESISTOR ERJ3GEYJ 270 V (27 Ω) | T |
| R311 | 7030003370 | S.RESISTOR ERJ3GEYJ 271 V (270 Ω) | T |
| R312 | 7030003230 | S.RESISTOR ERJ3GEYJ 180 V (18 Ω) | T |
| R313 | 7030003370 | S.RESISTOR ERJ3GEYJ 271 V (270 Ω) | T |
| R314 | 7030003370 | S.RESISTOR ERJ3GEYJ 271 V (270 Ω) | T |
| R315 | 7030003230 | S.RESISTOR ERJ3GEYJ 180 V (18 Ω) | T |
| R316 | 7030003370 | S.RESISTOR ERJ3GEYJ 271 V (270 Ω) | T |
| R320 | 7030000010 | S.RESISTOR MCR10EZHH JPW (000) | T |
| R323 | 7030000010 | S.RESISTOR MCR10EZHH JPW (000) | T |
| R401 | 7030003440 | S.RESISTOR ERJ3GEYJ 102 V (1 kΩ) | T |
| R404 | 7030005691 | S.RESISTOR ERA3YED 123V | T |
| R405 | 7030003490 | S.RESISTOR ERJ3GEYJ 272 V (2.7 kΩ) | T |
| R406 | 7030003760 | S.RESISTOR ERJ3GEYJ 474 V (470 kΩ) | T |
| R407 | 7030003320 | S.RESISTOR ERJ3GEYJ 101 V (100 Ω) | T |
| R408 | 7030003360 | S.RESISTOR ERJ3GEYJ 221 V (220 Ω) | T |
| R409 | 7030003320 | S.RESISTOR ERJ3GEYJ 101 V (100 Ω) | T |
| R410 | 7030003440 | S.RESISTOR ERJ3GEYJ 102 V (1 kΩ) | T |
| R413 | 7030003440 | S.RESISTOR ERJ3GEYJ 102 V (1 kΩ) | T |
| R414 | 7030003440 | S.RESISTOR ERJ3GEYJ 102 V (1 kΩ) | T |
| R415 | 7030003480 | S.RESISTOR ERJ3GEYJ 222 V (2.2 kΩ) | T |
| R502 | 7030003690 | S.RESISTOR ERJ3GEYJ 124 V (120 kΩ) | T |
| R503 | 7030003580 | S.RESISTOR ERJ3GEYJ 153 V (15 kΩ) | T |
| R504 | 7030003440 | S.RESISTOR ERJ3GEYJ 102 V (1 kΩ) | T |
| R505 | 7030003430 | S.RESISTOR ERJ3GEYJ 821 V (820 Ω) | T |
| R506 | 7030003400 | S.RESISTOR ERJ3GEYJ 471 V (470 Ω) | T |
| R507 | 7030003320 | S.RESISTOR ERJ3GEYJ 101 V (100 Ω) | T |
| R508 | 7510001460 | S.THERMISTOR NTCG16 3NH 471KT | T |
| R514 | 7030003440 | S.RESISTOR ERJ3GEYJ 102 V (1 kΩ) | T |
| R515 | 7030005691 | S.RESISTOR ERA3YED 123V | T |
| R601 | 7030007860 | S.RESISTOR ERJ3GEYJ 8R2V (8.2 Ω) | T |

[MAIN UNIT]

| REF NO. | ORDER NO. | DESCRIPTION | M. |
|---------|------------|------------------------------------|----|
| R602 | 7030003340 | S.RESISTOR ERJ3GEYJ 151 V (150 Ω) | T |
| R603 | 7030007860 | S.RESISTOR ERJ3GEYJ 8R2V (8.2 Ω) | T |
| R604 | 7030004040 | S.RESISTOR ERJ3GEYJ 4R7 V (4.7 Ω) | T |
| R605 | 7030003280 | S.RESISTOR ERJ3GEYJ 470 V (47 Ω) | T |
| R606 | 7030005280 | S.RESISTOR ERJ3GEYJ 6R8V (6.8 Ω) | T |
| R607 | 7030003420 | S.RESISTOR ERJ3GEYJ 681 V (680 Ω) | T |
| R608 | 7030003420 | S.RESISTOR ERJ3GEYJ 681 V (680 Ω) | T |
| R609 | 7030003390 | S.RESISTOR ERJ3GEYJ 391 V (390 Ω) | T |
| R610 | 7030003440 | S.RESISTOR ERJ3GEYJ 102 V (1 kΩ) | T |
| R611 | 7030003230 | S.RESISTOR ERJ3GEYJ 180 V (18 Ω) | T |
| R612 | 7030003370 | S.RESISTOR ERJ3GEYJ 271 V (270 Ω) | T |
| R613 | 7030003370 | S.RESISTOR ERJ3GEYJ 271 V (270 Ω) | T |
| R701 | 7030003360 | S.RESISTOR ERJ3GEYJ 221 V (220 Ω) | T |
| R702 | 7030003410 | S.RESISTOR ERJ3GEYJ 561 V (560 Ω) | T |
| R703 | 7030003440 | S.RESISTOR ERJ3GEYJ 102 V (1 kΩ) | T |
| R704 | 7030003640 | S.RESISTOR ERJ3GEYJ 473 V (47 kΩ) | T |
| R705 | 7030003360 | S.RESISTOR ERJ3GEYJ 221 V (220 Ω) | T |
| R706 | 7030003320 | S.RESISTOR ERJ3GEYJ 101 V (100 Ω) | T |
| R707 | 7510001460 | S.THERMISTOR NTCG16 3NH 471KT | T |
| R708 | 7030003440 | S.RESISTOR ERJ3GEYJ 102 V (1 kΩ) | T |
| R709 | 7030003440 | S.RESISTOR ERJ3GEYJ 102 V (1 kΩ) | T |
| R710 | 7030003360 | S.RESISTOR ERJ3GEYJ 221 V (220 Ω) | T |
| R711 | 7030003400 | S.RESISTOR ERJ3GEYJ 471 V (470 Ω) | T |
| R712 | 7030003370 | S.RESISTOR ERJ3GEYJ 271 V (270 Ω) | T |
| R713 | 7030003300 | S.RESISTOR ERJ3GEYJ 680 V (68 Ω) | T |
| R714 | 7030003320 | S.RESISTOR ERJ3GEYJ 101 V (100 Ω) | T |
| R715 | 7030003230 | S.RESISTOR ERJ3GEYJ 180 V (18 Ω) | T |
| R716 | 7030003370 | S.RESISTOR ERJ3GEYJ 271 V (270 Ω) | T |
| R717 | 7030003320 | S.RESISTOR ERJ3GEYJ 101 V (100 Ω) | T |
| R718 | 7030003440 | S.RESISTOR ERJ3GEYJ 102 V (1 kΩ) | T |
| R719 | 7030003280 | S.RESISTOR ERJ3GEYJ 470 V (47 Ω) | T |
| R720 | 7030003550 | S.RESISTOR ERJ3GEYJ 822 V (8.2 kΩ) | T |
| R722 | 7510001460 | S.THERMISTOR NTCG16 3NH 471KT | T |
| R723 | 7030003860 | S.RESISTOR ERJ3GE JPW V | T |
| R801 | 7030003480 | S.RESISTOR ERJ3GEYJ 222 V (2.2 kΩ) | T |
| R802 | 7030003240 | S.RESISTOR ERJ3GEYJ 220 V (22 Ω) | T |
| R803 | 7030003360 | S.RESISTOR ERJ3GEYJ 221 V (220 Ω) | T |
| R804 | 7030003400 | S.RESISTOR ERJ3GEYJ 471 V (470 Ω) | T |
| R813 | 7030003600 | S.RESISTOR ERJ3GEYJ 223 V (22 kΩ) | T |
| R814 | 7030003700 | S.RESISTOR ERJ3GEYJ 154 V (150 kΩ) | T |
| R901 | 7030003440 | S.RESISTOR ERJ3GEYJ 102 V (1 kΩ) | T |
| R902 | 7030003440 | S.RESISTOR ERJ3GEYJ 102 V (1 kΩ) | T |
| R903 | 7030003440 | S.RESISTOR ERJ3GEYJ 102 V (1 kΩ) | T |
| R904 | 7030003280 | S.RESISTOR ERJ3GEYJ 470 V (47 Ω) | T |
| R910 | 7030003440 | S.RESISTOR ERJ3GEYJ 102 V (1 kΩ) | T |
| R911 | 7030003440 | S.RESISTOR ERJ3GEYJ 102 V (1 kΩ) | T |
| R1002 | 7030003400 | S.RESISTOR ERJ3GEYJ 471 V (470 Ω) | T |
| R1003 | 7030003400 | S.RESISTOR ERJ3GEYJ 471 V (470 Ω) | T |
| R1004 | 7030003440 | S.RESISTOR ERJ3GEYJ 102 V (1 kΩ) | T |
| R1005 | 7030003440 | S.RESISTOR ERJ3GEYJ 102 V (1 kΩ) | T |
| R1006 | 7030003440 | S.RESISTOR ERJ3GEYJ 102 V (1 kΩ) | T |
| R1007 | 7030003440 | S.RESISTOR ERJ3GEYJ 102 V (1 kΩ) | T |
| R1008 | 7030003320 | S.RESISTOR ERJ3GEYJ 101 V (100 Ω) | T |
| R1009 | 7030003320 | S.RESISTOR ERJ3GEYJ 101 V (100 Ω) | T |
| R1010 | 7030003440 | S.RESISTOR ERJ3GEYJ 102 V (1 kΩ) | T |
| R1011 | 7030003440 | S.RESISTOR ERJ3GEYJ 102 V (1 kΩ) | T |
| R1012 | 7030003860 | S.RESISTOR ERJ3GE JPW V | T |
| R1013 | 7030003860 | S.RESISTOR ERJ3GE JPW V | T |
| R1014 | 7030003440 | S.RESISTOR ERJ3GEYJ 102 V (1 kΩ) | T |
| R1015 | 7030003650 | S.RESISTOR ERJ3GEYJ 563 V (56 kΩ) | T |
| R1016 | 7030003560 | S.RESISTOR ERJ3GEYJ 103 V (10 kΩ) | T |
| R1017 | 7030003440 | S.RESISTOR ERJ3GEYJ 102 V (1 kΩ) | T |
| R1018 | 7030003320 | S.RESISTOR ERJ3GEYJ 101 V (100 Ω) | T |
| R1019 | 7030003860 | S.RESISTOR ERJ3GE JPW V | T |
| R1051 | 7030003320 | S.RESISTOR ERJ3GEYJ 101 V (100 Ω) | T |
| R1052 | 7030003320 | S.RESISTOR ERJ3GEYJ 101 V (100 Ω) | T |
| R1053 | 7030003440 | S.RESISTOR ERJ3GEYJ 102 V (1 kΩ) | T |
| R1054 | 7030003440 | S.RESISTOR ERJ3GEYJ 102 V (1 kΩ) | T |
| R1055 | 7030003440 | S.RESISTOR ERJ3GEYJ 102 V (1 kΩ) | T |
| R1057 | 7030003440 | S.RESISTOR ERJ3GEYJ 102 V (1 kΩ) | T |
| R1058 | 7030003440 | S.RESISTOR ERJ3GEYJ 102 V (1 kΩ) | T |
| R1059 | 7030003440 | S.RESISTOR ERJ3GEYJ 102 V (1 kΩ) | T |
| R1060 | 7030005871 | S.RESISTOR ERA3YKD 104V (100 kΩ) | T |
| R1101 | 7030005871 | S.RESISTOR ERA3YKD 104V (100 kΩ) | T |
| R1102 | 7030009591 | S.RESISTOR ERA3YED 472V | T |
| R1105 | 7030003500 | S.RESISTOR ERJ3GEYJ 332 V (3.3 kΩ) | T |
| R1107 | 7030003800 | S.RESISTOR ERJ3GEYJ 105 V (1 MΩ) | T |
| R1109 | 7030003320 | S.RESISTOR ERJ3GEYJ 101 V (100 Ω) | T |
| R1110 | 7030003320 | S.RESISTOR ERJ3GEYJ 101 V (100 Ω) | T |
| R1111 | 7030003560 | S.RESISTOR ERJ3GEYJ 103 V (10 kΩ) | T |
| R1113 | 7030003320 | S.RESISTOR ERJ3GEYJ 101 V (100 Ω) | T |
| R1201 | 7030003860 | S.RESISTOR ERJ3GE JPW V | T |
| R1202 | 7030003760 | S.RESISTOR ERJ3GEYJ 474 V (470 kΩ) | T |
| R1203 | 7030003760 | S.RESISTOR ERJ3GEYJ 474 V (470 kΩ) | T |
| R1204 | 7030003860 | S.RESISTOR ERJ3GE JPW V | T |
| R1205 | 7030005871 | S.RESISTOR ERA3YKD 104V (100 kΩ) | T |
| R1206 | 7030003760 | S.RESISTOR ERJ3GEYJ 474 V (470 kΩ) | T |
| R1207 | 7030003560 | S.RESISTOR ERJ3GEYJ 103 V (10 kΩ) | T |

M.=Mounted side (T: Mounted on the Top side, B: Mounted on the Bottom side)

S.=Surface mount

[MAIN UNIT]

| REF NO. | ORDER NO. | DESCRIPTION | M. |
|---------|------------|------------------------------------|----|
| R1208 | 7030003610 | S.RESISTOR ERJ3GEYJ 273 V (27 kΩ) | T |
| R1209 | 7030003640 | S.RESISTOR ERJ3GEYJ 473 V (47 kΩ) | T |
| R1210 | 7030009591 | S.RESISTOR ERA3YED 472V | T |
| R1211 | 7030005871 | S.RESISTOR ERA3YKD 104V (100 kΩ) | T |
| R1212 | 7030003740 | S.RESISTOR ERJ3GEYJ 334 V (330 kΩ) | T |
| R1213 | 7030005871 | S.RESISTOR ERA3YKD 104V (100 kΩ) | T |
| R1214 | 7030003730 | S.RESISTOR ERJ3GEYJ 274 V (270 kΩ) | T |
| R1215 | 7030003640 | S.RESISTOR ERJ3GEYJ 473 V (47 kΩ) | T |
| R1216 | 7030003640 | S.RESISTOR ERJ3GEYJ 473 V (47 kΩ) | T |
| R1217 | 7030003740 | S.RESISTOR ERJ3GEYJ 334 V (330 kΩ) | T |
| R1218 | 7030003630 | S.RESISTOR ERJ3GEYJ 393 V (39 kΩ) | T |
| R1219 | 7030003800 | S.RESISTOR ERJ3GEYJ 105 V (1 MΩ) | T |
| R1220 | 7030003840 | S.RESISTOR ERJ3GEYJ 225 V (2.2 MΩ) | T |
| R1221 | 7030003840 | S.RESISTOR ERJ3GEYJ 225 V (2.2 MΩ) | T |
| R1222 | 7030003400 | S.RESISTOR ERJ3GEYJ 471 V (470 Ω) | T |
| R1223 | 7030003480 | S.RESISTOR ERJ3GEYJ 222 V (2.2 kΩ) | T |
| R1224 | 7030003320 | S.RESISTOR ERJ3GEYJ 101 V (100 Ω) | T |
| R1225 | 7030003320 | S.RESISTOR ERJ3GEYJ 101 V (100 Ω) | T |
| R1226 | 7030003360 | S.RESISTOR ERJ3GEYJ 221 V (220 Ω) | T |
| R1228 | 7030003440 | S.RESISTOR ERJ3GEYJ 102 V (1 kΩ) | T |
| R1230 | 7030003800 | S.RESISTOR ERJ3GEYJ 105 V (1 MΩ) | T |
| R1232 | 7030003800 | S.RESISTOR ERJ3GEYJ 105 V (1 MΩ) | T |
| R1233 | 7030003760 | S.RESISTOR ERJ3GEYJ 474 V (470 kΩ) | T |
| R1234 | 7030003560 | S.RESISTOR ERJ3GEYJ 103 V (10 kΩ) | T |
| R1235 | 7030003560 | S.RESISTOR ERJ3GEYJ 103 V (10 kΩ) | T |
| R1236 | 7030003440 | S.RESISTOR ERJ3GEYJ 102 V (1 kΩ) | T |
| R1237 | 7030003560 | S.RESISTOR ERJ3GEYJ 103 V (10 kΩ) | T |
| R1238 | 7030003560 | S.RESISTOR ERJ3GEYJ 103 V (10 kΩ) | T |
| R1240 | 7030003440 | S.RESISTOR ERJ3GEYJ 102 V (1 kΩ) | T |
| R1301 | 7030008240 | S.RESISTOR ERJ12YJ0R00U | T |
| R1303 | 7030003200 | S.RESISTOR ERJ3GEYJ 100 V (10 Ω) | T |
| R1304 | 7030003200 | S.RESISTOR ERJ3GEYJ 100 V (10 Ω) | T |
| R1305 | 7030003200 | S.RESISTOR ERJ3GEYJ 100 V (10 Ω) | T |
| R1306 | 7030003200 | S.RESISTOR ERJ3GEYJ 100 V (10 Ω) | T |
| R1307 | 7030003200 | S.RESISTOR ERJ3GEYJ 100 V (10 Ω) | T |
| R1308 | 7030003200 | S.RESISTOR ERJ3GEYJ 100 V (10 Ω) | T |
| R1309 | 7030004040 | S.RESISTOR ERJ3GEYJ 4R7 V (4.7 Ω) | T |
| R1310 | 7030003500 | S.RESISTOR ERJ3GEYJ 332 V (3.3 kΩ) | T |
| R1311 | 7030003500 | S.RESISTOR ERJ3GEYJ 332 V (3.3 kΩ) | T |
| R1312 | 7030003500 | S.RESISTOR ERJ3GEYJ 332 V (3.3 kΩ) | T |
| R1313 | 7030003500 | S.RESISTOR ERJ3GEYJ 332 V (3.3 kΩ) | T |
| R1314 | 7030003500 | S.RESISTOR ERJ3GEYJ 332 V (3.3 kΩ) | T |
| R1315 | 7030003500 | S.RESISTOR ERJ3GEYJ 332 V (3.3 kΩ) | T |
| R1316 | 7030003500 | S.RESISTOR ERJ3GEYJ 332 V (3.3 kΩ) | T |
| R1317 | 7030003500 | S.RESISTOR ERJ3GEYJ 332 V (3.3 kΩ) | T |
| R1318 | 7030004040 | S.RESISTOR ERJ3GEYJ 4R7 V (4.7 Ω) | T |
| R1319 | 7030008240 | S.RESISTOR ERJ12YJ0R00U | T |
| R1501 | 7030008190 | S.RESISTOR ERJ12YJ330U (33 Ω) | T |
| R1502 | 7030004040 | S.RESISTOR ERJ3GEYJ 4R7 V (4.7 Ω) | T |
| R1503 | 7030004040 | S.RESISTOR ERJ3GEYJ 4R7 V (4.7 Ω) | T |
| R1504 | 7030003380 | S.RESISTOR ERJ3GEYJ 331 V (330 Ω) | T |
| R1505 | 7030003380 | S.RESISTOR ERJ3GEYJ 331 V (330 Ω) | T |
| R1506 | 7030003380 | S.RESISTOR ERJ3GEYJ 331 V (330 Ω) | T |
| R1507 | 7030003380 | S.RESISTOR ERJ3GEYJ 331 V (330 Ω) | T |
| R1508 | 7030004040 | S.RESISTOR ERJ3GEYJ 4R7 V (4.7 Ω) | T |
| R1509 | 7030003380 | S.RESISTOR ERJ3GEYJ 331 V (330 Ω) | T |
| R1510 | 7030003380 | S.RESISTOR ERJ3GEYJ 331 V (330 Ω) | T |
| R1511 | 7030003380 | S.RESISTOR ERJ3GEYJ 331 V (330 Ω) | T |
| R1512 | 7030003380 | S.RESISTOR ERJ3GEYJ 331 V (330 Ω) | T |
| R1513 | 7030003380 | S.RESISTOR ERJ3GEYJ 331 V (330 Ω) | T |
| R1514 | 7030010660 | S.RESISTOR ERJ1TYJ 6R8U (6.8 Ω) | T |
| R1551 | 7030006220 | S.RESISTOR ERJ12YJ470U (47 Ω) | T |
| R1553 | 7030006220 | S.RESISTOR ERJ12YJ470U (47 Ω) | T |
| R1555 | 7030003560 | S.RESISTOR ERJ3GEYJ 103 V (10 kΩ) | T |
| R1556 | 7030003720 | S.RESISTOR ERJ3GEYJ 224 V (220 kΩ) | T |
| R1601 | 7030003400 | S.RESISTOR ERJ3GEYJ 471 V (470 Ω) | T |
| R1602 | 7030003440 | S.RESISTOR ERJ3GEYJ 102 V (1 kΩ) | T |
| R1603 | 7030009591 | S.RESISTOR ERA3YED 472V | T |
| R1606 | 7030003400 | S.RESISTOR ERJ3GEYJ 471 V (470 Ω) | T |
| R1607 | 7030003400 | S.RESISTOR ERJ3GEYJ 471 V (470 Ω) | T |
| R1612 | 7030003440 | S.RESISTOR ERJ3GEYJ 102 V (1 kΩ) | T |
| R1651 | 7030003440 | S.RESISTOR ERJ3GEYJ 102 V (1 kΩ) | T |
| R1652 | 7030003440 | S.RESISTOR ERJ3GEYJ 102 V (1 kΩ) | T |
| R1653 | 7030003440 | S.RESISTOR ERJ3GEYJ 102 V (1 kΩ) | T |
| R1654 | 7030003860 | S.RESISTOR ERJ3GE JPW V | T |
| R1655 | 7030003480 | S.RESISTOR ERJ3GEYJ 222 V (2.2 kΩ) | T |
| R1656 | 7030003440 | S.RESISTOR ERJ3GEYJ 102 V (1 kΩ) | T |
| R1657 | 7030003560 | S.RESISTOR ERJ3GEYJ 103 V (10 kΩ) | T |
| R1658 | 7030003440 | S.RESISTOR ERJ3GEYJ 102 V (1 kΩ) | T |
| R1659 | 7030003440 | S.RESISTOR ERJ3GEYJ 102 V (1 kΩ) | T |
| R1660 | 7030003320 | S.RESISTOR ERJ3GEYJ 101 V (100 Ω) | T |
| R1661 | 7030003320 | S.RESISTOR ERJ3GEYJ 101 V (100 Ω) | T |
| R1662 | 7030003560 | S.RESISTOR ERJ3GEYJ 103 V (10 kΩ) | T |
| R1701 | 7030003860 | S.RESISTOR ERJ3GE JPW V | T |
| R1706 | 7030003580 | S.RESISTOR ERJ3GEYJ 153 V (15 kΩ) | T |
| R1707 | 7030003380 | S.RESISTOR ERJ3GEYJ 331 V (330 Ω) | T |
| R1709 | 7030003440 | S.RESISTOR ERJ3GEYJ 102 V (1 kΩ) | T |
| R1710 | 7030003440 | S.RESISTOR ERJ3GEYJ 102 V (1 kΩ) | T |

M.=Mounted side (T: Mounted on the Top side, B: Mounted on the Bottom side)

[MAIN UNIT]

| REF NO. | ORDER NO. | DESCRIPTION | M. |
|---------|------------|------------------------------------|----|
| R1711 | 7030003320 | S.RESISTOR ERJ3GEYJ 101 V (100 Ω) | T |
| R1712 | 7030003320 | S.RESISTOR ERJ3GEYJ 101 V (100 Ω) | T |
| R1713 | 7030003440 | S.RESISTOR ERJ3GEYJ 102 V (1 kΩ) | T |
| R1715 | 7030003550 | S.RESISTOR ERJ3GEYJ 822 V (8.2 kΩ) | T |
| R1716 | 7030003480 | S.RESISTOR ERJ3GEYJ 222 V (2.2 kΩ) | T |
| R1717 | 7030003440 | S.RESISTOR ERJ3GEYJ 102 V (1 kΩ) | T |
| R1718 | 7030003560 | S.RESISTOR ERJ3GEYJ 103 V (10 kΩ) | T |
| R1719 | 7030003560 | S.RESISTOR ERJ3GEYJ 103 V (10 kΩ) | T |
| R1720 | 7030003400 | S.RESISTOR ERJ3GEYJ 471 V (470 Ω) | T |
| R1721 | 7030003400 | S.RESISTOR ERJ3GEYJ 471 V (470 Ω) | T |
| R1722 | 7030003440 | S.RESISTOR ERJ3GEYJ 102 V (1 kΩ) | T |
| R1723 | 7030003440 | S.RESISTOR ERJ3GEYJ 102 V (1 kΩ) | T |
| R1724 | 7030009591 | S.RESISTOR ERA3YED 472V | T |
| R1801 | 7030003500 | S.RESISTOR ERJ3GEYJ 332 V (3.3 kΩ) | T |
| R1802 | 7030003500 | S.RESISTOR ERJ3GEYJ 332 V (3.3 kΩ) | T |
| R1803 | 7030003500 | S.RESISTOR ERJ3GEYJ 332 V (3.3 kΩ) | T |
| R1804 | 7030003560 | S.RESISTOR ERJ3GEYJ 103 V (10 kΩ) | T |
| R1805 | 7030003560 | S.RESISTOR ERJ3GEYJ 103 V (10 kΩ) | T |
| R1902 | 7030003440 | S.RESISTOR ERJ3GEYJ 102 V (1 kΩ) | T |
| R2001 | 7030003560 | S.RESISTOR ERJ3GEYJ 103 V (10 kΩ) | T |
| R2002 | 7030003560 | S.RESISTOR ERJ3GEYJ 103 V (10 kΩ) | T |
| R2003 | 7030003440 | S.RESISTOR ERJ3GEYJ 102 V (1 kΩ) | T |
| R2004 | 7030003860 | S.RESISTOR ERJ3GE JPW V | T |
| R3001 | 7030003460 | S.RESISTOR ERJ3GEYJ 152 V (1.5 kΩ) | T |
| R3002 | 7030003460 | S.RESISTOR ERJ3GEYJ 152 V (1.5 kΩ) | T |
| R3003 | 7030003360 | S.RESISTOR ERJ3GEYJ 221 V (220 Ω) | T |
| R3004 | 7030003360 | S.RESISTOR ERJ3GEYJ 221 V (220 Ω) | T |
| R3006 | 7030003440 | S.RESISTOR ERJ3GEYJ 102 V (1 kΩ) | T |
| R3007 | 7030003440 | S.RESISTOR ERJ3GEYJ 102 V (1 kΩ) | T |
| R3008 | 7030003440 | S.RESISTOR ERJ3GEYJ 102 V (1 kΩ) | T |
| R3009 | 7030003440 | S.RESISTOR ERJ3GEYJ 102 V (1 kΩ) | T |
| R3010 | 7030003440 | S.RESISTOR ERJ3GEYJ 102 V (1 kΩ) | T |
| R3011 | 7030003440 | S.RESISTOR ERJ3GEYJ 102 V (1 kΩ) | T |
| R3012 | 7030003440 | S.RESISTOR ERJ3GEYJ 102 V (1 kΩ) | T |
| R3013 | 7030003640 | S.RESISTOR ERJ3GEYJ 473 V (47 kΩ) | T |
| R3014 | 7030003800 | S.RESISTOR ERJ3GEYJ 105 V (1 MΩ) | T |
| R3015 | 7030003640 | S.RESISTOR ERJ3GEYJ 473 V (47 kΩ) | T |
| R3016 | 7030003640 | S.RESISTOR ERJ3GEYJ 473 V (47 kΩ) | T |
| R3017 | 7030003360 | S.RESISTOR ERJ3GEYJ 221 V (220 Ω) | T |
| R3019 | 7030003440 | S.RESISTOR ERJ3GEYJ 102 V (1 kΩ) | T |
| R3020 | 7030003640 | S.RESISTOR ERJ3GEYJ 473 V (47 kΩ) | T |
| R3021 | 7030003640 | S.RESISTOR ERJ3GEYJ 473 V (47 kΩ) | T |
| R3023 | 7030003440 | S.RESISTOR ERJ3GEYJ 102 V (1 kΩ) | T |
| R3024 | 7030003440 | S.RESISTOR ERJ3GEYJ 102 V (1 kΩ) | T |
| R3025 | 7030003640 | S.RESISTOR ERJ3GEYJ 473 V (47 kΩ) | T |
| R3026 | 7030003640 | S.RESISTOR ERJ3GEYJ 473 V (47 kΩ) | T |
| R3031 | 7030003600 | S.RESISTOR ERJ3GEYJ 223 V (22 kΩ) | T |
| R3032 | 7030009591 | S.RESISTOR ERA3YED 472V | T |
| R3033 | 7030003580 | S.RESISTOR ERJ3GEYJ 153 V (15 kΩ) | T |
| R3034 | 7030003640 | S.RESISTOR ERJ3GEYJ 473 V (47 kΩ) | T |
| R3050 | 7030005691 | S.RESISTOR ERA3YED 123V | T |
| R3051 | 7030009591 | S.RESISTOR ERA3YED 472V | T |
| R3052 | 7030005871 | S.RESISTOR ERA3YKD 104V (100 kΩ) | T |
| R3101 | 7030008190 | S.RESISTOR ERJ12YJ330U (33 Ω) | T |
| R3201 | 7030003640 | S.RESISTOR ERJ3GEYJ 473 V (47 kΩ) | T |
| R3202 | 7030005871 | S.RESISTOR ERA3YKD 104V (100 kΩ) | T |
| R3203 | 7030003440 | S.RESISTOR ERJ3GEYJ 102 V (1 kΩ) | T |
| R3204 | 7030003640 | S.RESISTOR ERJ3GEYJ 473 V (47 kΩ) | T |
| R3301 | 7030003560 | S.RESISTOR ERJ3GEYJ 103 V (10 kΩ) | T |
| R3302 | 7030003560 | S.RESISTOR ERJ3GEYJ 103 V (10 kΩ) | T |
| R3303 | 7030003650 | S.RESISTOR ERJ3GEYJ 563 V (56 kΩ) | T |
| R3304 | 7030003650 | S.RESISTOR ERJ3GEYJ 563 V (56 kΩ) | T |
| R3305 | 7030003720 | S.RESISTOR ERJ3GEYJ 224 V (220 kΩ) | T |
| R3306 | 7030003440 | S.RESISTOR ERJ3GEYJ 102 V (1 kΩ) | T |
| R3307 | 7030003360 | S.RESISTOR ERJ3GEYJ 221 V (220 Ω) | T |
| R3308 | 7030003360 | S.RESISTOR ERJ3GEYJ 221 V (220 Ω) | T |
| R3309 | 7030003360 | S.RESISTOR ERJ3GEYJ 221 V (220 Ω) | T |
| R3310 | 7030003360 | S.RESISTOR ERJ3GEYJ 221 V (220 Ω) | T |
| R3311 | 7030003360 | S.RESISTOR ERJ3GEYJ 221 V (220 Ω) | T |
| R3313 | 7030005871 | S.RESISTOR ERA3YKD 104V (100 kΩ) | T |
| R3314 | 7030005871 | S.RESISTOR ERA3YKD 104V (100 kΩ) | T |
| R3315 | 7030003560 | S.RESISTOR ERJ3GEYJ 103 V (10 kΩ) | T |
| R3316 | 7030003720 | S.RESISTOR ERJ3GEYJ 224 V (220 kΩ) | T |
| R3317 | 7030003720 | S.RESISTOR ERJ3GEYJ 224 V (220 kΩ) | T |
| R3318 | 7030003720 | S.RESISTOR ERJ3GEYJ 224 V (220 kΩ) | T |
| R3319 | 7030003720 | S.RESISTOR ERJ3GEYJ 224 V (220 kΩ) | T |
| R3320 | 7030003720 | S.RESISTOR ERJ3GEYJ 224 V (220 kΩ) | T |
| R3321 | 7030003720 | S.RESISTOR ERJ3GEYJ 224 V (220 kΩ) | T |
| R3322 | 7030003720 | S.RESISTOR ERJ3GEYJ 224 V (220 kΩ) | T |
| R3323 | 7030003720 | S.RESISTOR ERJ3GEYJ 224 V (220 kΩ) | T |
| R3324 | 7030003720 | S.RESISTOR ERJ3GEYJ 224 V (220 kΩ) | T |
| R3325 | 7030003720 | S.RESISTOR ERJ3GEYJ 224 V (220 kΩ) | T |
| R3326 | 7030003720 | S.RESISTOR ERJ3GEYJ 224 V (220 kΩ) | T |
| R3327 | 7030003720 | S.RESISTOR ERJ3GEYJ 224 V (220 kΩ) | T |
| R3328 | 7030003720 | S.RESISTOR ERJ3GEYJ 224 V (220 kΩ) | T |
| R3329 | 7030003720 | S.RESISTOR ERJ3GEYJ 224 V (220 kΩ) | T |
| R3330 | 7030003720 | S.RESISTOR ERJ3GEYJ 224 V (220 kΩ) | T |
| R3331 | 7030003720 | S.RESISTOR ERJ3GEYJ 224 V (220 kΩ) | T |

S.=Surface mount

[MAIN UNIT]

| REF NO. | ORDER NO. | DESCRIPTION | M. |
|------------|------------|------------------------------------|----|
| R3332 | 7030003640 | S.RESISTOR ERJ3GEYJ 473 V (47 kΩ) | T |
| R3333 | 7030003360 | S.RESISTOR ERJ3GEYJ 221 V (220 Ω) | T |
| R3334 | 7030003640 | S.RESISTOR ERJ3GEYJ 473 V (47 kΩ) | T |
| R3335 | 7030003360 | S.RESISTOR ERJ3GEYJ 221 V (220 Ω) | T |
| R3336 | 7030003360 | S.RESISTOR ERJ3GEYJ 221 V (220 Ω) | T |
| R3337 | 7030003360 | S.RESISTOR ERJ3GEYJ 221 V (220 Ω) | T |
| R3339 | 7030003720 | S.RESISTOR ERJ3GEYJ 224 V (220 kΩ) | T |
| R3340 | 7030003360 | S.RESISTOR ERJ3GEYJ 221 V (220 Ω) | T |
| R3341 | 7030003720 | S.RESISTOR ERJ3GEYJ 224 V (220 kΩ) | T |
| R3342 | 7030003760 | S.RESISTOR ERJ3GEYJ 474 V (470 kΩ) | T |
| R3343 | 7030003440 | S.RESISTOR ERJ3GEYJ 102 V (1 kΩ) | T |
| R3344 | 7030005871 | S.RESISTOR ERA3YKD 104V (100 kΩ) | T |
| R3345 | 7030003640 | S.RESISTOR ERJ3GEYJ 473 V (47 kΩ) | T |
| R3346 | 7030003560 | S.RESISTOR ERJ3GEYJ 103 V (10 kΩ) | T |
| R3347 | 7030005871 | S.RESISTOR ERA3YKD 104V (100 kΩ) | T |
| R3348 | 7030003640 | S.RESISTOR ERJ3GEYJ 473 V (47 kΩ) | T |
| R3349 | 7030003440 | S.RESISTOR ERJ3GEYJ 102 V (1 kΩ) | T |
| R3350 | 7030003640 | S.RESISTOR ERJ3GEYJ 473 V (47 kΩ) | T |
| R3402 | 7030003560 | S.RESISTOR ERJ3GEYJ 103 V (10 kΩ) | T |
| R3403 | 7030003560 | S.RESISTOR ERJ3GEYJ 103 V (10 kΩ) | T |
| R3407 | 7030003560 | S.RESISTOR ERJ3GEYJ 103 V (10 kΩ) | T |
| R3408 | 7030003560 | S.RESISTOR ERJ3GEYJ 103 V (10 kΩ) | T |
| R3409 | 7030003560 | S.RESISTOR ERJ3GEYJ 103 V (10 kΩ) | T |
| [OTH] only | | | |
| R3601 | 7030003640 | S.RESISTOR ERJ3GEYJ 473 V (47 kΩ) | T |
| R3604 | 7030003640 | S.RESISTOR ERJ3GEYJ 473 V (47 kΩ) | T |
| R3605 | 7030003640 | S.RESISTOR ERJ3GEYJ 473 V (47 kΩ) | T |
| R3606 | 7030003640 | S.RESISTOR ERJ3GEYJ 473 V (47 kΩ) | T |
| R3608 | 7030003640 | S.RESISTOR ERJ3GEYJ 473 V (47 kΩ) | T |
| R3609 | 7030003640 | S.RESISTOR ERJ3GEYJ 473 V (47 kΩ) | T |
| R3610 | 7030003640 | S.RESISTOR ERJ3GEYJ 473 V (47 kΩ) | T |
| R3611 | 7030003640 | S.RESISTOR ERJ3GEYJ 473 V (47 kΩ) | T |
| R3613 | 7030003640 | S.RESISTOR ERJ3GEYJ 473 V (47 kΩ) | T |
| R3614 | 7030003360 | S.RESISTOR ERJ3GEYJ 221 V (220 Ω) | T |
| R3615 | 7030003360 | S.RESISTOR ERJ3GEYJ 221 V (220 Ω) | T |
| R3616 | 7030003360 | S.RESISTOR ERJ3GEYJ 221 V (220 Ω) | T |
| R3617 | 7030003360 | S.RESISTOR ERJ3GEYJ 221 V (220 Ω) | T |
| R3618 | 7030003360 | S.RESISTOR ERJ3GEYJ 221 V (220 Ω) | T |
| R3619 | 7030003360 | S.RESISTOR ERJ3GEYJ 221 V (220 Ω) | T |
| R3620 | 7030003360 | S.RESISTOR ERJ3GEYJ 221 V (220 Ω) | T |
| R3621 | 7030003360 | S.RESISTOR ERJ3GEYJ 221 V (220 Ω) | T |
| R3622 | 7030003360 | S.RESISTOR ERJ3GEYJ 221 V (220 Ω) | T |
| R3623 | 7030003360 | S.RESISTOR ERJ3GEYJ 221 V (220 Ω) | T |
| R3625 | 7030003640 | S.RESISTOR ERJ3GEYJ 473 V (47 kΩ) | T |
| R3626 | 7030003640 | S.RESISTOR ERJ3GEYJ 473 V (47 kΩ) | T |
| R3627 | 7030003640 | S.RESISTOR ERJ3GEYJ 473 V (47 kΩ) | T |
| R3628 | 7030003640 | S.RESISTOR ERJ3GEYJ 473 V (47 kΩ) | T |
| R3629 | 7030003640 | S.RESISTOR ERJ3GEYJ 473 V (47 kΩ) | T |
| R3640 | 7030003600 | S.RESISTOR ERJ3GEYJ 223 V (22 kΩ) | T |
| R3643 | 7030005691 | S.RESISTOR ERA3YED 123V | T |
| R3801 | 7030003400 | S.RESISTOR ERJ3GEYJ 471 V (470 Ω) | T |
| R3803 | 7030003720 | S.RESISTOR ERJ3GEYJ 224 V (220 kΩ) | T |
| R3804 | 7030003720 | S.RESISTOR ERJ3GEYJ 224 V (220 kΩ) | T |
| R3805 | 7030003720 | S.RESISTOR ERJ3GEYJ 224 V (220 kΩ) | T |
| R3806 | 7030003720 | S.RESISTOR ERJ3GEYJ 224 V (220 kΩ) | T |
| R3807 | 7030003720 | S.RESISTOR ERJ3GEYJ 224 V (220 kΩ) | T |
| R3808 | 7030003720 | S.RESISTOR ERJ3GEYJ 224 V (220 kΩ) | T |
| R3809 | 7030003720 | S.RESISTOR ERJ3GEYJ 224 V (220 kΩ) | T |
| R3810 | 7030003720 | S.RESISTOR ERJ3GEYJ 224 V (220 kΩ) | T |
| R3811 | 7030003720 | S.RESISTOR ERJ3GEYJ 224 V (220 kΩ) | T |
| R3812 | 7030003720 | S.RESISTOR ERJ3GEYJ 224 V (220 kΩ) | T |
| R3813 | 7030003720 | S.RESISTOR ERJ3GEYJ 224 V (220 kΩ) | T |
| R3814 | 7030003720 | S.RESISTOR ERJ3GEYJ 224 V (220 kΩ) | T |
| R3815 | 7030003720 | S.RESISTOR ERJ3GEYJ 224 V (220 kΩ) | T |
| R3816 | 7030003480 | S.RESISTOR ERJ3GEYJ 222 V (2.2 kΩ) | T |
| R3817 | 7030003720 | S.RESISTOR ERJ3GEYJ 224 V (220 kΩ) | T |
| R3818 | 7030003400 | S.RESISTOR ERJ3GEYJ 471 V (470 Ω) | T |
| R3819 | 7030003400 | S.RESISTOR ERJ3GEYJ 471 V (470 Ω) | T |
| R3820 | 7030003400 | S.RESISTOR ERJ3GEYJ 471 V (470 Ω) | T |
| R3821 | 7030003400 | S.RESISTOR ERJ3GEYJ 471 V (470 Ω) | T |
| R3823 | 7030003860 | S.RESISTOR ERJ3GE JPW V | T |
| R3905 | 7030003640 | S.RESISTOR ERJ3GEYJ 473 V (47 kΩ) | T |
| R3915 | 7030003360 | S.RESISTOR ERJ3GEYJ 221 V (220 Ω) | T |
| R3916 | 7030003360 | S.RESISTOR ERJ3GEYJ 221 V (220 Ω) | T |
| R3917 | 7030003360 | S.RESISTOR ERJ3GEYJ 221 V (220 Ω) | T |
| R3918 | 7030003360 | S.RESISTOR ERJ3GEYJ 221 V (220 Ω) | T |
| R3919 | 7030003360 | S.RESISTOR ERJ3GEYJ 221 V (220 Ω) | T |
| R3920 | 7030003360 | S.RESISTOR ERJ3GEYJ 221 V (220 Ω) | T |
| R3921 | 7030003360 | S.RESISTOR ERJ3GEYJ 221 V (220 Ω) | T |
| C1 | 4030007110 | S.CERAMIC C1608 CH 1H 680J-T | T |
| C2 | 4030007120 | S.CERAMIC C1608 CH 1H 820J-T | T |
| C3 | 4030007150 | S.CERAMIC C1608 CH 1H 151J-T | T |
| C4 | 4030007050 | S.CERAMIC C1608 CH 1H 220J-T | T |
| C5 | 4030007120 | S.CERAMIC C1608 CH 1H 820J-T | T |
| C6 | 4030011600 | S.CERAMIC C1608 JB 1E 104K-T | T |
| C7 | 4030011600 | S.CERAMIC C1608 JB 1E 104K-T | T |

M.=Mounted side (T: Mounted on the Top side, B: Mounted on the Bottom side)

[MAIN UNIT]

| REF NO. | ORDER NO. | DESCRIPTION | M. |
|---------|------------|------------------------------|----|
| C8 | 4030011600 | S.CERAMIC C1608 JB 1E 104K-T | T |
| C9 | 4030011600 | S.CERAMIC C1608 JB 1E 104K-T | T |
| C10 | 4030011600 | S.CERAMIC C1608 JB 1E 104K-T | T |
| C11 | 4030011600 | S.CERAMIC C1608 JB 1E 104K-T | T |
| C12 | 4030011600 | S.CERAMIC C1608 JB 1E 104K-T | T |
| C54 | 4030011600 | S.CERAMIC C1608 JB 1E 104K-T | T |
| C56 | 4030018620 | S.CERAMIC C1608 CH 1H 222J-T | T |
| C57 | 4030018640 | S.CERAMIC C2012 CH 1H 103J-T | T |
| C59 | 4030018590 | S.CERAMIC C1608 CH 1H 122J-T | T |
| C61 | 4030018640 | S.CERAMIC C2012 CH 1H 103J-T | T |
| C62 | 4030018620 | S.CERAMIC C1608 CH 1H 222J-T | T |
| C63 | 4030018640 | S.CERAMIC C2012 CH 1H 103J-T | T |
| C64 | 4030011600 | S.CERAMIC C1608 JB 1E 104K-T | T |
| C65 | 4030011600 | S.CERAMIC C1608 JB 1E 104K-T | T |
| C66 | 4030011600 | S.CERAMIC C1608 JB 1E 104K-T | T |
| C67 | 4030011600 | S.CERAMIC C1608 JB 1E 104K-T | T |
| C68 | 4030011600 | S.CERAMIC C1608 JB 1E 104K-T | T |
| C69 | 4030018640 | S.CERAMIC C2012 CH 1H 103J-T | T |
| C101 | 4030011600 | S.CERAMIC C1608 JB 1E 104K-T | T |
| C102 | 4030011600 | S.CERAMIC C1608 JB 1E 104K-T | T |
| C103 | 4030011600 | S.CERAMIC C1608 JB 1E 104K-T | T |
| C104 | 4030011600 | S.CERAMIC C1608 JB 1E 104K-T | T |
| C105 | 4030011600 | S.CERAMIC C1608 JB 1E 104K-T | T |
| C106 | 4030011600 | S.CERAMIC C1608 JB 1E 104K-T | T |
| C107 | 4030011600 | S.CERAMIC C1608 JB 1E 104K-T | T |
| C108 | 4030011600 | S.CERAMIC C1608 JB 1E 104K-T | T |
| C109 | 4030018610 | S.CERAMIC C1608 CH 1H 182J-T | T |
| C110 | 4030018600 | S.CERAMIC C1608 CH 1H 152J-T | T |
| C111 | 4030017800 | S.CERAMIC C1608 CH 1H 561J-T | T |
| C112 | 4030017870 | S.CERAMIC C1608 CH 1H 681J-T | T |
| C113 | 4030011340 | S.CERAMIC C1608 CH 1H 471J-T | T |
| C114 | 4030007160 | S.CERAMIC C1608 CH 1H 181J-T | T |
| C115 | 4030007170 | S.CERAMIC C1608 CH 1H 221J-T | T |
| C116 | 4030007130 | S.CERAMIC C1608 CH 1H 101J-T | T |
| C117 | 4030007150 | S.CERAMIC C1608 CH 1H 151J-T | T |
| C118 | 4030011280 | S.CERAMIC C1608 CH 1H 271J-T | T |
| C119 | 4030007140 | S.CERAMIC C1608 CH 1H 121J-T | T |
| C120 | 4030007150 | S.CERAMIC C1608 CH 1H 151J-T | T |
| C121 | 4030007090 | S.CERAMIC C1608 CH 1H 470J-T | T |
| C122 | 4030007070 | S.CERAMIC C1608 CH 1H 330J-T | T |
| C123 | 4030007070 | S.CERAMIC C1608 CH 1H 330J-T | T |
| C124 | 4030007090 | S.CERAMIC C1608 CH 1H 470J-T | T |
| C125 | 4030007050 | S.CERAMIC C1608 CH 1H 220J-T | T |
| C126 | 4030007030 | S.CERAMIC C1608 CH 1H 150J-T | T |
| C127 | 4030008920 | S.CERAMIC C1608 CH 1H 473K-T | T |
| C128 | 4030017810 | S.CERAMIC C1608 CH 1H 102J-T | T |
| C129 | 4030017850 | S.CERAMIC C2012 CH 1H 272J-T | T |
| C130 | 4030018580 | S.CERAMIC C1608 CH 1H 821J-T | T |
| C131 | 4030018640 | S.CERAMIC C2012 CH 1H 103J-T | T |
| C132 | 4030007120 | S.CERAMIC C1608 CH 1H 820J-T | T |
| C133 | 4030017800 | S.CERAMIC C1608 CH 1H 561J-T | T |
| C134 | 4030011340 | S.CERAMIC C1608 CH 1H 471J-T | T |
| C135 | 4030011280 | S.CERAMIC C1608 CH 1H 271J-T | T |
| C136 | 4030011280 | S.CERAMIC C1608 CH 1H 271J-T | T |
| C137 | 4030007160 | S.CERAMIC C1608 CH 1H 181J-T | T |
| C138 | 4030011280 | S.CERAMIC C1608 CH 1H 271J-T | T |
| C139 | 4030007170 | S.CERAMIC C1608 CH 1H 221J-T | T |
| C140 | 4030007130 | S.CERAMIC C1608 CH 1H 101J-T | T |
| C141 | 4030007140 | S.CERAMIC C1608 CH 1H 121J-T | T |
| C142 | 4030007150 | S.CERAMIC C1608 CH 1H 151J-T | T |
| C143 | 4030007130 | S.CERAMIC C1608 CH 1H 101J-T | T |
| C144 | 4030007140 | S.CERAMIC C1608 CH 1H 121J-T | T |
| C145 | 4030017800 | S.CERAMIC C1608 CH 1H 561J-T | T |
| C146 | 4030011340 | S.CERAMIC C1608 CH 1H 471J-T | T |
| C147 | 4030018640 | S.CERAMIC C2012 CH 1H 103J-T | T |
| C148 | 4030018630 | S.CERAMIC C2012 CH 1H 472J-T | T |
| C149 | 4030018610 | S.CERAMIC C1608 CH 1H 182J-T | T |
| C150 | 4030018620 | S.CERAMIC C1608 CH 1H 222J-T | T |
| C151 | 4030018620 | S.CERAMIC C1608 CH 1H 222J-T | T |
| C152 | 4030018600 | S.CERAMIC C1608 CH 1H 152J-T | T |
| C153 | 4030018600 | S.CERAMIC C1608 CH 1H 152J-T | T |
| C154 | 4030017810 | S.CERAMIC C1608 CH 1H 102J-T | T |
| C155 | 4030018590 | S.CERAMIC C1608 CH 1H 122J-T | T |
| C156 | 4030011600 | S.CERAMIC C1608 JB 1E 104K-T | T |
| C157 | 4030018600 | S.CERAMIC C1608 CH 1H 152J-T | T |
| C158 | 4030018610 | S.CERAMIC C1608 CH 1H 182J-T | T |
| C159 | 4030018580 | S.CERAMIC C1608 CH 1H 821J-T | T |
| C160 | 4030007130 | S.CERAMIC C1608 CH 1H 101J-T | T |
| C161 | 4030011600 | S.CERAMIC C1608 JB 1E 104K-T | T |
| C162 | 4030007160 | S.CERAMIC C1608 CH 1H 181J-T | T |
| C163 | 4030011600 | S.CERAMIC C1608 JB 1E 104K-T | T |
| C164 | 4030007140 | S.CERAMIC C1608 CH 1H 121J-T | T |
| C165 | 4030011600 | S.CERAMIC C1608 JB 1E 104K-T | T |
| C166 | 4030007130 | S.CERAMIC C1608 CH 1H 101J-T | T |
| C167 | 4030011600 | S.CERAMIC C1608 JB 1E 104K-T | T |
| C168 | 4030011600 | S.CERAMIC C1608 JB 1E 104K-T | T |
| C169 | 4030018580 | S.CERAMIC C1608 CH 1H 821J-T | T |
| C170 | 4030011600 | S.CERAMIC C1608 JB 1E 104K-T | T |

S.=Surface mount

[MAIN UNIT]

| REF NO. | ORDER NO. | DESCRIPTION | M. |
|---------|------------|------------------------------|----|
| C171 | 4030011280 | S.CERAMIC C1608 CH 1H 271J-T | T |
| C172 | 4030011600 | S.CERAMIC C1608 JB 1E 104K-T | T |
| C173 | 4030007160 | S.CERAMIC C1608 CH 1H 181J-T | T |
| C174 | 4030011600 | S.CERAMIC C1608 JB 1E 104K-T | T |
| C175 | 4030007040 | S.CERAMIC C1608 CH 1H 180J-T | T |
| C176 | 4030011600 | S.CERAMIC C1608 JB 1E 104K-T | T |
| C177 | 4030011600 | S.CERAMIC C1608 JB 1E 104K-T | T |
| C178 | 4030011600 | S.CERAMIC C1608 JB 1E 104K-T | T |
| C179 | 4030011600 | S.CERAMIC C1608 JB 1E 104K-T | T |
| C180 | 4030011600 | S.CERAMIC C1608 JB 1E 104K-T | T |
| C181 | 4030011600 | S.CERAMIC C1608 JB 1E 104K-T | T |
| C182 | 4030011600 | S.CERAMIC C1608 JB 1E 104K-T | T |
| C183 | 4030011600 | S.CERAMIC C1608 JB 1E 104K-T | T |
| C184 | 4030011600 | S.CERAMIC C1608 JB 1E 104K-T | T |
| C185 | 4030011600 | S.CERAMIC C1608 JB 1E 104K-T | T |
| C186 | 4030011600 | S.CERAMIC C1608 JB 1E 104K-T | T |
| C187 | 4030011600 | S.CERAMIC C1608 JB 1E 104K-T | T |
| C188 | 4030011600 | S.CERAMIC C1608 JB 1E 104K-T | T |
| C189 | 4030011600 | S.CERAMIC C1608 JB 1E 104K-T | T |
| C190 | 4030011600 | S.CERAMIC C1608 JB 1E 104K-T | T |
| C191 | 4030011600 | S.CERAMIC C1608 JB 1E 104K-T | T |
| C192 | 4030011600 | S.CERAMIC C1608 JB 1E 104K-T | T |
| C193 | 4030011600 | S.CERAMIC C1608 JB 1E 104K-T | T |
| C194 | 4030011600 | S.CERAMIC C1608 JB 1E 104K-T | T |
| C195 | 4030011600 | S.CERAMIC C1608 JB 1E 104K-T | T |
| C197 | 4510006670 | S.ELECTROLYTIC ECEV1CA471P | T |
| C198 | 4030006940 | S.CERAMIC C1608 CH 1H 030C-T | T |
| C199 | 4030006940 | S.CERAMIC C1608 CH 1H 030C-T | T |
| C200 | 4030018630 | S.CERAMIC C2012 CH 1H 472J-T | T |
| C201 | 4030011600 | S.CERAMIC C1608 JB 1E 104K-T | T |
| C202 | 4030007120 | S.CERAMIC C1608 CH 1H 820J-T | T |
| C203 | 4030007050 | S.CERAMIC C1608 CH 1H 220J-T | T |
| C204 | 4030007150 | S.CERAMIC C1608 CH 1H 151J-T | T |
| C205 | 4030006990 | S.CERAMIC C1608 CH 1H 080D-T | T |
| C206 | 4030007130 | S.CERAMIC C1608 CH 1H 101J-T | T |
| C207 | 4030011600 | S.CERAMIC C1608 JB 1E 104K-T | T |
| C208 | 4030006880 | S.CERAMIC C1608 JB 1H 472K-T | T |
| C209 | 4030007020 | S.CERAMIC C1608 CH 1H 120J-T | T |
| C210 | 4030011600 | S.CERAMIC C1608 JB 1E 104K-T | T |
| C211 | 4030006880 | S.CERAMIC C1608 JB 1H 472K-T | T |
| C212 | 4030011600 | S.CERAMIC C1608 JB 1E 104K-T | T |
| C213 | 4030011600 | S.CERAMIC C1608 JB 1E 104K-T | T |
| C214 | 4030017810 | S.CERAMIC C1608 CH 1H 102J-T | T |
| C215 | 4030007030 | S.CERAMIC C1608 CH 1H 150J-T | T |
| C216 | 4030007000 | S.CERAMIC C1608 CH 1H 090D-T | T |
| C217 | 4030007130 | S.CERAMIC C1608 CH 1H 101J-T | T |
| C218 | 4030006880 | S.CERAMIC C1608 JB 1H 472K-T | T |
| C219 | 4030006880 | S.CERAMIC C1608 JB 1H 472K-T | T |
| C220 | 4030006880 | S.CERAMIC C1608 JB 1H 472K-T | T |
| C221 | 4030006880 | S.CERAMIC C1608 JB 1H 472K-T | T |
| C222 | 4030007030 | S.CERAMIC C1608 CH 1H 150J-T | T |
| C223 | 4030006880 | S.CERAMIC C1608 JB 1H 472K-T | T |
| C224 | 4030006880 | S.CERAMIC C1608 JB 1H 472K-T | T |
| C225 | 4030009920 | S.CERAMIC C1608 CH 1H 050B-T | T |
| C226 | 4030011600 | S.CERAMIC C1608 JB 1E 104K-T | T |
| C227 | 4030011600 | S.CERAMIC C1608 JB 1E 104K-T | T |
| C228 | 4030007030 | S.CERAMIC C1608 CH 1H 150J-T | T |
| C229 | 4030007030 | S.CERAMIC C1608 CH 1H 150J-T | T |
| C230 | 4030007170 | S.CERAMIC C1608 CH 1H 221J-T | T |
| C231 | 4030006880 | S.CERAMIC C1608 JB 1H 472K-T | T |
| C232 | 4030006880 | S.CERAMIC C1608 JB 1H 472K-T | T |
| C233 | 4030006880 | S.CERAMIC C1608 JB 1H 472K-T | T |
| C234 | 4030006880 | S.CERAMIC C1608 JB 1H 472K-T | T |
| C235 | 4030009920 | S.CERAMIC C1608 CH 1H 050B-T | T |
| C236 | 4030009920 | S.CERAMIC C1608 CH 1H 050B-T | T |
| C237 | 4030007130 | S.CERAMIC C1608 CH 1H 101J-T | T |
| C238 | 4030007130 | S.CERAMIC C1608 CH 1H 101J-T | T |
| C239 | 4030007130 | S.CERAMIC C1608 CH 1H 101J-T | T |
| C240 | 4030007140 | S.CERAMIC C1608 CH 1H 121J-T | T |
| C241 | 4030007150 | S.CERAMIC C1608 CH 1H 151J-T | T |
| C242 | 4030007150 | S.CERAMIC C1608 CH 1H 151J-T | T |
| C243 | 4030007150 | S.CERAMIC C1608 CH 1H 151J-T | T |
| C244 | 4030007140 | S.CERAMIC C1608 CH 1H 121J-T | T |
| C245 | 4030007140 | S.CERAMIC C1608 CH 1H 121J-T | T |
| C246 | 4030006970 | S.CERAMIC C1608 CH 1H 060D-T | T |
| C247 | 4030007000 | S.CERAMIC C1608 CH 1H 090D-T | T |
| C248 | 4030018610 | S.CERAMIC C1608 CH 1H 182J-T | T |
| C301 | 4030006880 | S.CERAMIC C1608 JB 1H 472K-T | T |
| C302 | 4030007150 | S.CERAMIC C1608 CH 1H 151J-T | T |
| C303 | 4030007150 | S.CERAMIC C1608 CH 1H 151J-T | T |
| C304 | 4030011600 | S.CERAMIC C1608 JB 1E 104K-T | T |
| C305 | 4030011600 | S.CERAMIC C1608 JB 1E 104K-T | T |
| C306 | 4030011600 | S.CERAMIC C1608 JB 1E 104K-T | T |
| C307 | 4030011600 | S.CERAMIC C1608 JB 1E 104K-T | T |
| C308 | 4030017870 | S.CERAMIC C1608 CH 1H 681J-T | T |
| C309 | 4030011600 | S.CERAMIC C1608 JB 1E 104K-T | T |
| C310 | 4030018630 | S.CERAMIC C2012 CH 1H 472J-T | T |
| C311 | 4030017850 | S.CERAMIC C2012 CH 1H 272J-T | T |

M.=Mounted side (T: Mounted on the Top side, B: Mounted on the Bottom side)

[MAIN UNIT]

| REF NO. | ORDER NO. | DESCRIPTION | M. |
|---------|------------|------------------------------|----|
| C312 | 4030011600 | S.CERAMIC C1608 JB 1E 104K-T | T |
| C315 | 4030018590 | S.CERAMIC C1608 CH 1H 122J-T | T |
| C316 | 4030007150 | S.CERAMIC C1608 CH 1H 151J-T | T |
| C317 | 4030007150 | S.CERAMIC C1608 CH 1H 151J-T | T |
| C318 | 4030007100 | S.CERAMIC C1608 CH 1H 560J-T | T |
| C319 | 4030007100 | S.CERAMIC C1608 CH 1H 560J-T | T |
| C401 | 4030011600 | S.CERAMIC C1608 JB 1E 104K-T | T |
| C402 | 4030006880 | S.CERAMIC C1608 JB 1H 472K-T | T |
| C403 | 4030011600 | S.CERAMIC C1608 JB 1E 104K-T | T |
| C404 | 4030011600 | S.CERAMIC C1608 JB 1E 104K-T | T |
| C405 | 4030006880 | S.CERAMIC C1608 JB 1H 472K-T | T |
| C406 | 4030011600 | S.CERAMIC C1608 JB 1E 104K-T | T |
| C407 | 4030006880 | S.CERAMIC C1608 JB 1H 472K-T | T |
| C408 | 4030011600 | S.CERAMIC C1608 JB 1E 104K-T | T |
| C409 | 4030011600 | S.CERAMIC C1608 JB 1E 104K-T | T |
| C410 | 4030011600 | S.CERAMIC C1608 JB 1E 104K-T | T |
| C411 | 4030011600 | S.CERAMIC C1608 JB 1E 104K-T | T |
| C412 | 4030006880 | S.CERAMIC C1608 JB 1H 472K-T | T |
| C413 | 4030007140 | S.CERAMIC C1608 CH 1H 121J-T | T |
| C414 | 4030007160 | S.CERAMIC C1608 CH 1H 181J-T | T |
| C501 | 4030011600 | S.CERAMIC C1608 JB 1E 104K-T | T |
| C502 | 4030006880 | S.CERAMIC C1608 JB 1H 472K-T | T |
| C503 | 4030011600 | S.CERAMIC C1608 JB 1E 104K-T | T |
| C504 | 4030006880 | S.CERAMIC C1608 JB 1H 472K-T | T |
| C505 | 4030006880 | S.CERAMIC C1608 JB 1H 472K-T | T |
| C506 | 4030011600 | S.CERAMIC C1608 JB 1E 104K-T | T |
| C507 | 4030011600 | S.CERAMIC C1608 JB 1E 104K-T | T |
| C508 | 4030011600 | S.CERAMIC C1608 JB 1E 104K-T | T |
| C509 | 4030011600 | S.CERAMIC C1608 JB 1E 104K-T | T |
| C510 | 4510004640 | S.ELECTROLYTIC ECEV1CA470SP | T |
| C511 | 4030011600 | S.CERAMIC C1608 JB 1E 104K-T | T |
| C512 | 4510004640 | S.ELECTROLYTIC ECEV1CA470SP | T |
| C516 | 4030011600 | S.CERAMIC C1608 JB 1E 104K-T | T |
| C517 | 4030011600 | S.CERAMIC C1608 JB 1E 104K-T | T |
| C518 | 4030011600 | S.CERAMIC C1608 JB 1E 104K-T | T |
| C519 | 4030011600 | S.CERAMIC C1608 JB 1E 104K-T | T |
| C520 | 4510004630 | S.ELECTROLYTIC ECEV1CA100SR | T |
| C521 | 4030011600 | S.CERAMIC C1608 JB 1E 104K-T | T |
| C600 | 4030011600 | S.CERAMIC C1608 JB 1E 104K-T | T |
| C601 | 4030011600 | S.CERAMIC C1608 JB 1E 104K-T | T |
| C602 | 4030007040 | S.CERAMIC C1608 CH 1H 180J-T | T |
| C603 | 4030006880 | S.CERAMIC C1608 JB 1H 472K-T | T |
| C604 | 4030006980 | S.CERAMIC C1608 CH 1H 070D-T | T |
| C605 | 4030007030 | S.CERAMIC C1608 CH 1H 150J-T | T |
| C606 | 4030007020 | S.CERAMIC C1608 CH 1H 120J-T | T |
| C607 | 4030007060 | S.CERAMIC C1608 CH 1H 270J-T | T |
| C608 | 4030011600 | S.CERAMIC C1608 JB 1E 104K-T | T |
| C609 | 4030017810 | S.CERAMIC C1608 CH 1H 102J-T | T |
| C610 | 4030018640 | S.CERAMIC C2012 CH 1H 103J-T | T |
| C611 | 4030018640 | S.CERAMIC C2012 CH 1H 103J-T | T |
| C612 | 4030018640 | S.CERAMIC C2012 CH 1H 103J-T | T |
| C613 | 4030018640 | S.CERAMIC C2012 CH 1H 103J-T | T |
| C614 | 4030017810 | S.CERAMIC C1608 CH 1H 102J-T | T |
| C615 | 4030007030 | S.CERAMIC C1608 CH 1H 150J-T | T |
| C701 | 4030011600 | S.CERAMIC C1608 JB 1E 104K-T | T |
| C702 | 4030011600 | S.CERAMIC C1608 JB 1E 104K-T | T |
| C703 | 4030011600 | S.CERAMIC C1608 JB 1E 104K-T | T |
| C705 | 4030011600 | S.CERAMIC C1608 JB 1E 104K-T | T |
| C706 | 4030007070 | S.CERAMIC C1608 CH 1H 330J-T | T |
| C707 | 4030006970 | S.CERAMIC C1608 CH 1H 060D-T | T |
| C709 | 4030007070 | S.CERAMIC C1608 CH 1H 330J-T | T |
| C710 | 4030007040 | S.CERAMIC C1608 CH 1H 180J-T | T |
| C711 | 4030007050 | S.CERAMIC C1608 CH 1H 220J-T | T |
| C712 | 4030011600 | S.CERAMIC C1608 JB 1E 104K-T | T |
| C714 | 4030011600 | S.CERAMIC C1608 JB 1E 104K-T | T |
| C715 | 4030009920 | S.CERAMIC C1608 CH 1H 050B-T | T |
| C716 | 4030017810 | S.CERAMIC C1608 CH 1H 102J-T | T |
| C717 | 4030017810 | S.CERAMIC C1608 CH 1H 102J-T | T |
| C718 | 4030017810 | S.CERAMIC C1608 CH 1H 102J-T | T |
| C720 | 4030007070 | S.CERAMIC C1608 CH 1H 330J-T | T |
| C721 | 4030006970 | S.CERAMIC C1608 CH 1H 060D-T | T |
| C722 | 4030006970 | S.CERAMIC C1608 CH 1H 060D-T | T |
| C801 | 4030011600 | S.CERAMIC C1608 JB 1E 104K-T | T |
| C802 | 4030011600 | S.CERAMIC C1608 JB 1E 104K-T | T |
| C803 | 4030011600 | S.CERAMIC C1608 JB 1E 104K-T | T |
| C805 | 4030006880 | S.CERAMIC C1608 JB 1H 472K-T | T |
| C806 | 4510004640 | S.ELECTROLYTIC ECEV1CA470SP | T |
| C901 | 4030011600 | S.CERAMIC C1608 JB 1E 104K-T | T |
| C902 | 4030011600 | S.CERAMIC C1608 JB 1E 104K-T | T |
| C903 | 4030006880 | S.CERAMIC C1608 JB 1H 472K-T | T |
| C904 | 4030011600 | S.CERAMIC C1608 JB 1E 104K-T | T |
| C905 | 4030011600 | S.CERAMIC C1608 JB 1E 104K-T | T |
| C906 | 4030011600 | S.CERAMIC C1608 JB 1E 104K-T | T |
| C907 | 4030011600 | S.CERAMIC C1608 JB 1E 104K-T | T |
| C908 | 4510004630 | S.ELECTROLYTIC ECEV1CA100SR | T |
| C909 | 4030011600 | S.CERAMIC C1608 JB 1E 104K-T | T |
| C910 | 4030011600 | S.CERAMIC C1608 JB 1E 104K-T | T |
| C1001 | 4030011600 | S.CERAMIC C1608 JB 1E 104K-T | T |

S.=Surface mount

[MAIN UNIT]

| REF NO. | ORDER NO. | DESCRIPTION | M. |
|---------|------------|---------------------------------------|----|
| C1002 | 4030011600 | S.CERAMIC C1608 JB 1E 104K-T | T |
| C1003 | 4030011600 | S.CERAMIC C1608 JB 1E 104K-T | T |
| C1004 | 4030018610 | S.CERAMIC C1608 CH 1H 182J-T | T |
| C1005 | 4030017800 | S.CERAMIC C1608 CH 1H 561J-T | T |
| C1006 | 4030006880 | S.CERAMIC C1608 JB 1H 472K-T | T |
| C1007 | 4030006880 | S.CERAMIC C1608 JB 1H 472K-T | T |
| C1008 | 4030006880 | S.CERAMIC C1608 JB 1H 472K-T | T |
| C1010 | 4510004630 | S.ELECTROLYTIC ECEV1CA100SR | T |
| C1011 | 4510004630 | S.ELECTROLYTIC ECEV1CA100SR | T |
| C1012 | 4030011600 | S.CERAMIC C1608 JB 1E 104K-T | T |
| C1051 | 4510004630 | S.ELECTROLYTIC ECEV1CA100SR | T |
| C1052 | 4510004630 | S.ELECTROLYTIC ECEV1CA100SR | T |
| C1054 | 4030018640 | S.CERAMIC C2012 CH 1H 103J-T | T |
| C1055 | 4030017810 | S.CERAMIC C1608 CH 1H 102J-T | T |
| C1056 | 4030008880 | S.CERAMIC C1608 JB 1H 223K-T | T |
| C1057 | 4030008880 | S.CERAMIC C1608 JB 1H 223K-T | T |
| C1058 | 4030008880 | S.CERAMIC C1608 JB 1H 223K-T | T |
| C1059 | 4030018640 | S.CERAMIC C2012 CH 1H 103J-T | T |
| C1061 | 4030017810 | S.CERAMIC C1608 CH 1H 102J-T | T |
| C1062 | 4030008880 | S.CERAMIC C1608 JB 1H 223K-T | T |
| C1063 | 4030008880 | S.CERAMIC C1608 JB 1H 223K-T | T |
| C1064 | 4030008880 | S.CERAMIC C1608 JB 1H 223K-T | T |
| C1101 | 4030011600 | S.CERAMIC C1608 JB 1E 104K-T | T |
| C1102 | 4030011600 | S.CERAMIC C1608 JB 1E 104K-T | T |
| C1201 | 4030006880 | S.CERAMIC C1608 JB 1H 472K-T | T |
| C1202 | 4030011600 | S.CERAMIC C1608 JB 1E 104K-T | T |
| C1203 | 4030011600 | S.CERAMIC C1608 JB 1E 104K-T | T |
| C1205 | 4510004630 | S.ELECTROLYTIC ECEV1CA100SR | T |
| C1206 | 4030017810 | S.CERAMIC C1608 CH 1H 102J-T | T |
| C1208 | 4550006340 | S.TANTALUM ECST1AY335R | T |
| C1209 | 4030011600 | S.CERAMIC C1608 JB 1E 104K-T | T |
| C1212 | 4550006170 | S.TANTALUM ECST1AY225R | T |
| C1214 | 4030011600 | S.CERAMIC C1608 JB 1E 104K-T | T |
| C1223 | 4030011600 | S.CERAMIC C1608 JB 1E 104K-T | T |
| C1224 | 4030011600 | S.CERAMIC C1608 JB 1E 104K-T | T |
| C1226 | 4030011600 | S.CERAMIC C1608 JB 1E 104K-T | T |
| C1227 | 4030011340 | S.CERAMIC C1608 CH 1H 471J-T | T |
| C1303 | 4030011600 | S.CERAMIC C1608 JB 1E 104K-T | T |
| C1304 | 4030011600 | S.CERAMIC C1608 JB 1E 104K-T | T |
| C1305 | 4030011600 | S.CERAMIC C1608 JB 1E 104K-T | T |
| C1306 | 4030011600 | S.CERAMIC C1608 JB 1E 104K-T | T |
| C1307 | 4030011600 | S.CERAMIC C1608 JB 1E 104K-T | T |
| C1308 | 4030011600 | S.CERAMIC C1608 JB 1E 104K-T | T |
| C1309 | 4030011600 | S.CERAMIC C1608 JB 1E 104K-T | T |
| C1310 | 4030011600 | S.CERAMIC C1608 JB 1E 104K-T | T |
| C1315 | 4030011600 | S.CERAMIC C1608 JB 1E 104K-T | T |
| C1451 | 4030011600 | S.CERAMIC C1608 JB 1E 104K-T | T |
| C1501 | 4510004640 | S.ELECTROLYTIC ECEV1CA470SP | T |
| C1502 | 4030011600 | S.CERAMIC C1608 JB 1E 104K-T | T |
| C1503 | 4030011600 | S.CERAMIC C1608 JB 1E 104K-T | T |
| C1504 | 4510004630 | S.ELECTROLYTIC ECEV1CA100SR | T |
| C1505 | 4510004630 | S.ELECTROLYTIC ECEV1CA100SR | T |
| C1506 | 4030011600 | S.CERAMIC C1608 JB 1E 104K-T | T |
| C1507 | 4030011600 | S.CERAMIC C1608 JB 1E 104K-T | T |
| C1508 | 4510004640 | S.ELECTROLYTIC ECEV1CA470SP | T |
| C1509 | 4030008680 | S.CERAMIC C2012 JF 1C 105Z-T | T |
| C1510 | 4030008680 | S.CERAMIC C2012 JF 1C 105Z-T | T |
| C1551 | 4030008680 | S.CERAMIC C2012 JF 1C 105Z-T | T |
| C1552 | 4510004640 | S.ELECTROLYTIC ECEV1CA470SP | T |
| C1555 | 4510004640 | S.ELECTROLYTIC ECEV1CA470SP | T |
| C1557 | 4030011600 | S.CERAMIC C1608 JB 1E 104K-T | T |
| C1558 | 4510004630 | S.ELECTROLYTIC ECEV1CA100SR | T |
| C1559 | 4030011600 | S.CERAMIC C1608 JB 1E 104K-T | T |
| C1560 | 4030011600 | S.CERAMIC C1608 JB 1E 104K-T | T |
| C1561 | 4030007170 | S.CERAMIC C1608 CH 1H 221J-T | T |
| C1562 | 4030011600 | S.CERAMIC C1608 JB 1E 104K-T | T |
| C1563 | 4030007170 | S.CERAMIC C1608 CH 1H 221J-T | T |
| C1601 | 4510006670 | S.ELECTROLYTIC ECEV1CA471P | T |
| C1602 | 4030011600 | S.CERAMIC C1608 JB 1E 104K-T | T |
| C1603 | 4510006670 | S.ELECTROLYTIC ECEV1CA471P | T |
| C1604 | 4510006670 | S.ELECTROLYTIC ECEV1CA471P | T |
| C1605 | 4510006670 | S.ELECTROLYTIC ECEV1CA471P | T |
| C1606 | 4030006880 | S.CERAMIC C1608 JB 1H 472K-T | T |
| C1607 | 4510004630 | S.ELECTROLYTIC ECEV1CA100SR | T |
| C1608 | 4030011600 | S.CERAMIC C1608 JB 1E 104K-T | T |
| C1609 | 4030008680 | S.CERAMIC C2012 JF 1C 105Z-T | T |
| C1610 | 4030011600 | S.CERAMIC C1608 JB 1E 104K-T | T |
| C1618 | 4030008680 | S.CERAMIC C2012 JF 1C 105Z-T | T |
| C1651 | 4030008850 | S.CERAMIC C1608 JB 1H 123K-T | T |
| C1652 | 4030014300 | S.CERAMIC C1608 JB 1E 563K-T | T |
| C1653 | 4030014300 | S.CERAMIC C1608 JB 1E 563K-T | T |
| C1654 | 4030014300 | S.CERAMIC C1608 JB 1E 563K-T | T |
| C1655 | 4030011600 | S.CERAMIC C1608 JB 1E 104K-T | T |
| C1656 | 4510004630 | S.ELECTROLYTIC ECEV1CA100SR | T |
| C1657 | 4510004630 | S.ELECTROLYTIC ECEV1CA100SR | T |
| C1704 | 4030011600 | S.CERAMIC C1608 JB 1E 104K-T | T |
| C1705 | 4030008680 | S.CERAMIC C2012 JF 1C 105Z-T | T |
| C1706 | 4510006850 | S.ELECTROLYTIC ECEV1CA4R7NR (16V 4.7) | T |

[MAIN UNIT]

| REF NO. | ORDER NO. | DESCRIPTION | M. |
|---------|------------|---------------------------------------|----|
| C1707 | 4030008850 | S.CERAMIC C1608 JB 1H 123K-T | T |
| C1709 | 4030014300 | S.CERAMIC C1608 JB 1E 563K-T | T |
| C1710 | 4030014300 | S.CERAMIC C1608 JB 1E 563K-T | T |
| C1711 | 4030014300 | S.CERAMIC C1608 JB 1E 563K-T | T |
| C1713 | 4510004630 | S.ELECTROLYTIC ECEV1CA100SR | T |
| C1714 | 4510004630 | S.ELECTROLYTIC ECEV1CA100SR | T |
| C1715 | 4030011600 | S.CERAMIC C1608 JB 1E 104K-T | T |
| C1716 | 4030011600 | S.CERAMIC C1608 JB 1E 104K-T | T |
| C1717 | 4030011600 | S.CERAMIC C1608 JB 1E 104K-T | T |
| C1801 | 4030011600 | S.CERAMIC C1608 JB 1E 104K-T | T |
| C1802 | 4030006880 | S.CERAMIC C1608 JB 1H 472K-T | T |
| C1803 | 4030011600 | S.CERAMIC C1608 JB 1E 104K-T | T |
| C1804 | 4030011600 | S.CERAMIC C1608 JB 1E 104K-T | T |
| C1805 | 4030011600 | S.CERAMIC C1608 JB 1E 104K-T | T |
| C1806 | 4030011600 | S.CERAMIC C1608 JB 1E 104K-T | T |
| C1807 | 4030011600 | S.CERAMIC C1608 JB 1E 104K-T | T |
| C1901 | 4030011600 | S.CERAMIC C1608 JB 1E 104K-T | T |
| C1902 | 4030011600 | S.CERAMIC C1608 JB 1E 104K-T | T |
| C1903 | 4030011600 | S.CERAMIC C1608 JB 1E 104K-T | T |
| C1904 | 4030011600 | S.CERAMIC C1608 JB 1E 104K-T | T |
| C1905 | 4030011600 | S.CERAMIC C1608 JB 1E 104K-T | T |
| C1906 | 4030011600 | S.CERAMIC C1608 JB 1E 104K-T | T |
| C1907 | 4030006880 | S.CERAMIC C1608 JB 1H 472K-T | T |
| C1908 | 4030011600 | S.CERAMIC C1608 JB 1E 104K-T | T |
| C1909 | 4030006880 | S.CERAMIC C1608 JB 1H 472K-T | T |
| C1910 | 4030006880 | S.CERAMIC C1608 JB 1H 472K-T | T |
| C1911 | 4030011600 | S.CERAMIC C1608 JB 1E 104K-T | T |
| C1912 | 4030006880 | S.CERAMIC C1608 JB 1H 472K-T | T |
| C1913 | 4030006880 | S.CERAMIC C1608 JB 1H 472K-T | T |
| C1914 | 4030011600 | S.CERAMIC C1608 JB 1E 104K-T | T |
| C1915 | 4030011600 | S.CERAMIC C1608 JB 1E 104K-T | T |
| C1916 | 4030011600 | S.CERAMIC C1608 JB 1E 104K-T | T |
| C1917 | 4030011600 | S.CERAMIC C1608 JB 1E 104K-T | T |
| C1918 | 4030011600 | S.CERAMIC C1608 JB 1E 104K-T | T |
| C1919 | 4030011600 | S.CERAMIC C1608 JB 1E 104K-T | T |
| C1920 | 4030011600 | S.CERAMIC C1608 JB 1E 104K-T | T |
| C2001 | 4510006850 | S.ELECTROLYTIC ECEV1CA4R7NR (16V 4.7) | T |
| C2002 | 4510006850 | S.ELECTROLYTIC ECEV1CA4R7NR (16V 4.7) | T |
| C2003 | 4030011600 | S.CERAMIC C1608 JB 1E 104K-T | T |
| C2004 | 4510006850 | S.ELECTROLYTIC ECEV1CA4R7NR (16V 4.7) | T |
| C2005 | 4030006880 | S.CERAMIC C1608 JB 1H 472K-T | T |
| C2006 | 4030006880 | S.CERAMIC C1608 JB 1H 472K-T | T |
| C2007 | 4030011600 | S.CERAMIC C1608 JB 1E 104K-T | T |
| C2008 | 4030006880 | S.CERAMIC C1608 JB 1H 472K-T | T |
| C2009 | 4510004600 | ELECTROLYTIC 16 MV 1000 HC | T |
| C3001 | 4030006880 | S.CERAMIC C1608 JB 1H 472K-T | T |
| C3002 | 4030008920 | S.CERAMIC C1608 JB 1H 473K-T | T |
| C3003 | 4030008920 | S.CERAMIC C1608 JB 1H 473K-T | T |
| C3004 | 4030008920 | S.CERAMIC C1608 JB 1H 473K-T | T |
| C3005 | 4030008920 | S.CERAMIC C1608 JB 1H 473K-T | T |
| C3007 | 4030007130 | S.CERAMIC C1608 CH 1H 101J-T | T |
| C3008 | 4030018620 | S.CERAMIC C1608 CH 1H 222J-T | T |
| C3009 | 4030011600 | S.CERAMIC C1608 JB 1E 104K-T | T |
| C3101 | 4510004640 | S.ELECTROLYTIC ECEV1CA470SP | T |
| C3102 | 4030011600 | S.CERAMIC C1608 JB 1E 104K-T | T |
| C3103 | 4030011600 | S.CERAMIC C1608 JB 1E 104K-T | T |
| C3104 | 4510004640 | S.ELECTROLYTIC ECEV1CA470SP | T |
| C3201 | 4030018640 | S.CERAMIC C2012 CH 1H 103J-T | T |
| C3202 | 4030006880 | S.CERAMIC C1608 JB 1H 472K-T | T |
| C3302 | 4030011600 | S.CERAMIC C1608 JB 1E 104K-T | T |
| C3303 | 4030011600 | S.CERAMIC C1608 JB 1E 104K-T | T |
| C3304 | 4030007020 | S.CERAMIC C1608 CH 1H 120J-T | T |
| C3305 | 4030007020 | S.CERAMIC C1608 CH 1H 120J-T | T |
| C3307 | 4030006880 | S.CERAMIC C1608 JB 1H 472K-T | T |
| C3308 | 4030011600 | S.CERAMIC C1608 JB 1E 104K-T | T |
| C3309 | 4030006880 | S.CERAMIC C1608 JB 1H 472K-T | T |
| C3310 | 4030011600 | S.CERAMIC C1608 JB 1E 104K-T | T |
| C3311 | 4030011600 | S.CERAMIC C1608 JB 1E 104K-T | T |
| C3315 | 4030011600 | S.CERAMIC C1608 JB 1E 104K-T | T |
| C3316 | 4030011600 | S.CERAMIC C1608 JB 1E 104K-T | T |
| C3317 | 4030007070 | S.CERAMIC C1608 CH 1H 330J-T | T |
| C3318 | 4030007070 | S.CERAMIC C1608 CH 1H 330J-T | T |
| C3319 | 4030006880 | S.CERAMIC C1608 JB 1H 472K-T | T |
| C3601 | 4030011600 | S.CERAMIC C1608 JB 1E 104K-T | T |
| C3602 | 4030011600 | S.CERAMIC C1608 JB 1E 104K-T | T |
| C3603 | 4030011600 | S.CERAMIC C1608 JB 1E 104K-T | T |
| C3606 | 4030011600 | S.CERAMIC C1608 JB 1E 104K-T | T |
| C3607 | 4030011600 | S.CERAMIC C1608 JB 1E 104K-T | T |
| C3608 | 4030011600 | S.CERAMIC C1608 JB 1E 104K-T | T |
| C3610 | 4510004640 | S.ELECTROLYTIC ECEV1CA470SP | T |
| C3802 | 4030011600 | S.CERAMIC C1608 JB 1E 104K-T | T |
| C3803 | 4510005460 | ELECTROLYTIC FYDOH 474Z | T |
| C3804 | 4030008680 | S.CERAMIC C2012 JF 1C 105Z-T | T |
| C3901 | 4030011600 | S.CERAMIC C1608 JB 1E 104K-T | T |
| C3902 | 4030007130 | S.CERAMIC C1608 CH 1H 101J-T | T |

M.=Mounted side (T: Mounted on the Top side, B: Mounted on the Bottom side)

S.=Surface mount

[MAIN UNIT]

| REF NO. | ORDER NO. | DESCRIPTION | | M. |
|---------|------------|-------------|-------------------|----|
| J1 | 6510007020 | CONNECTOR | TMP-J01X-V6 | T |
| J51 | 6510007020 | CONNECTOR | TMP-J01X-V6 | T |
| J301 | 6510007020 | CONNECTOR | TMP-J01X-V6 | T |
| J601 | 6510007020 | CONNECTOR | TMP-J01X-V6 | T |
| J1101 | 6510021650 | CONNECTOR | IMSA-9180B-30B | T |
| J1102 | 6510022810 | CONNECTOR | IMSA-9180B-22B | T |
| J1451 | 6450000102 | CONNECTOR | HSJ1857-01-1220 | T |
| J1801 | 6510023840 | CONNECTOR | TCS5107-182011 | T |
| J1901 | 6510021720 | S.CONNECTOR | 30FLT-SM1-TB | T |
| J2051 | 6510023050 | CONNECTOR | TCS7286-01-241 | T |
| J3001 | 6510022620 | S.CONNECTOR | 10FMN-BMTTR-A-TBT | T |
| J3601 | 6510023090 | S.CONNECTOR | 20FLT-SM1-TB | T |
| J3602 | 6510021720 | S.CONNECTOR | 30FLT-SM1-TB | T |
| EP1 | 0910057203 | PCB | B 6075C | |
| EP1451 | 6450001370 | WASHER | HSJ0999-01-210 | T |
| EP1901 | 6910012350 | S.BEAD | MMZ1608Y 102BT | T |
| EP1902 | 6910012350 | S.BEAD | MMZ1608Y 102BT | T |
| EP1903 | 6910012350 | S.BEAD | MMZ1608Y 102BT | T |
| EP1904 | 6910012350 | S.BEAD | MMZ1608Y 102BT | T |

[PLL UNIT]

| REF NO. | ORDER NO. | DESCRIPTION | | M. |
|---------|------------|-------------|-------------------------|----|
| X5251 | 6050011770 | S.XTAL | CR-770 (32 MHz) | T |
| L5005 | 6200009300 | S.COIL | ELJPA 100KF 10U | T |
| L5021 | 2040000490 | COIL | EXC-ELDR25C | T |
| L5081 | 6200002040 | S.COIL | NL 252018T-101J | B |
| L5101 | 6200001830 | S.COIL | NL 322522T-100J | T |
| L5202 | 6200003260 | S.COIL | NL 322522T-101J | T |
| L5203 | 6150004250 | COIL | LS-471A (C-14922) | T |
| L5204 | 6150004250 | COIL | LS-471A (C-14922) | T |
| L5205 | 6200002180 | S.COIL | NL 252018T-R12J | B |
| L5254 | 6200002000 | S.COIL | NL 252018T-3R3J | T |
| L5255 | 6200002000 | S.COIL | NL 252018T-3R3J | T |
| L5301 | 6200003260 | S.COIL | NL 322522T-101J | T |
| L5302 | 6130001850 | COIL | LB-185 | T |
| L5303 | 6200001830 | S.COIL | NL 322522T-100J | T |
| L5304 | 6200003260 | S.COIL | NL 322522T-101J | T |
| L5351 | 6200003260 | S.COIL | NL 322522T-101J | T |
| L5352 | 6200003100 | S.COIL | NL 322522T-3R9J-3 | T |
| L5401 | 6200001830 | S.COIL | NL 322522T-100J | T |
| L5521 | 6170000400 | COIL | LW-38 | T |
| L5522 | 6170000400 | COIL | LW-38 | T |
| L5523 | 6190001280 | COIL | E544GN-110248 | T |
| L5552 | 6200003260 | S.COIL | NL 322522T-101J | T |
| L5601 | 6200003260 | S.COIL | NL 322522T-101J | T |
| L5602 | 6200003420 | S.COIL | NL 322522T-R15J-3 | T |
| L5603 | 6200003430 | S.COIL | NL 322522T-R10J | T |
| L5604 | 6200003430 | S.COIL | NL 322522T-R10J | T |
| L5605 | 6200003260 | S.COIL | NL 322522T-101J | T |
| L5701 | 6200001830 | S.COIL | NL 322522T-100J | T |
| L5781 | 6200005500 | S.COIL | NL 322522T-471J | T |
| L5782 | 6200005500 | S.COIL | NL 322522T-471J | T |
| L5783 | 6200005490 | S.COIL | NL 322522T-331J | T |
| L7031 | 6200002040 | S.COIL | NL 252018T-101J | B |
| L7035 | 6200002040 | S.COIL | NL 252018T-101J | B |
| L7036 | 6140002240 | COIL | LR-236 (T68-2) | T |
| L7037 | 6140001990 | COIL | LR-226 (T68-2) | T |
| L7061 | 6200002040 | S.COIL | NL 252018T-101J | B |
| L7065 | 6200002040 | S.COIL | NL 252018T-101J | B |
| L7067 | 6140002240 | COIL | LR-236 (T68-2) | T |
| L7068 | 6140002230 | COIL | LR-235 (T68-2) | T |
| L7091 | 6200002040 | S.COIL | NL 252018T-101J | B |
| L7095 | 6200002040 | S.COIL | NL 252018T-101J | B |
| L7096 | 6140002340 | COIL | LR-263 (T68-2) | T |
| L7097 | 6140002260 | COIL | LR-238 (T68-2) | T |
| L7121 | 6200002040 | S.COIL | NL 252018T-101J | B |
| L7125 | 6200002040 | S.COIL | NL 252018T-101J | B |
| L7127 | 6140002280 | COIL | LR-241 (T68-6) | T |
| L7128 | 6140002250 | COIL | LR-237 (T68-2) | T |
| L7181 | 6200005050 | S.COIL | NL 252018T-330J | B |
| L7183 | 6140002300 | COIL | LR-243 (T68-10) | T |
| L7184 | 6140002280 | COIL | LR-241 (T68-6) | T |
| L7185 | 6200005050 | S.COIL | NL 252018T-330J | B |
| L7241 | 6200005010 | S.COIL | NL 252018T-100J | B |
| L7244 | 6200005010 | S.COIL | NL 252018T-100J | B |
| L7245 | 6140002330 | COIL | LR-262 (T68-6) | T |
| L7246 | 6140002330 | COIL | LR-262 (T68-6) | T |
| L7271 | 6200002040 | S.COIL | NL 252018T-101J | T |
| L7272 | 6140004360 | COIL | LR-496 | T |
| L7273 | 6200002040 | S.COIL | NL 252018T-101J | T |
| L7321 | 6140001460 | COIL | LR-170 | T |
| L7331 | 6200002040 | S.COIL | NL 252018T-101J | T |
| L7332 | 6200002040 | S.COIL | NL 252018T-101J | B |
| R5002 | 7030003400 | S.RESISTOR | ERJ3GEYJ 471 V (470 Ω) | T |
| R5004 | 7030003400 | S.RESISTOR | ERJ3GEYJ 471 V (470 Ω) | T |
| R5005 | 7030003400 | S.RESISTOR | ERJ3GEYJ 471 V (470 Ω) | T |
| R5006 | 7030003400 | S.RESISTOR | ERJ3GEYJ 471 V (470 Ω) | B |
| R5009 | 7030003400 | S.RESISTOR | ERJ3GEYJ 471 V (470 Ω) | B |
| R5010 | 7030003400 | S.RESISTOR | ERJ3GEYJ 471 V (470 Ω) | B |
| R5011 | 7030003400 | S.RESISTOR | ERJ3GEYJ 471 V (470 Ω) | B |
| R5021 | 7070000311 | RESISTOR | ERG1SJ 100 (10 Ω) | T |
| R5041 | 7030003280 | S.RESISTOR | ERJ3GEYJ 470 V (47 Ω) | T |
| R5051 | 7030003340 | S.RESISTOR | ERJ3GEYJ 151 V (150 Ω) | T |
| R5052 | 7030003860 | S.RESISTOR | ERJ3GE JPW V | B |
| R5053 | 7030003860 | S.RESISTOR | ERJ3GE JPW V | B |
| R5054 | 7030003860 | S.RESISTOR | ERJ3GE JPW V | B |
| R5055 | 7030003860 | S.RESISTOR | ERJ3GE JPW V | B |
| R5079 | 7030003860 | S.RESISTOR | ERJ3GE JPW V | B |
| R5080 | 7030003860 | S.RESISTOR | ERJ3GE JPW V | B |
| R5081 | 7030003640 | S.RESISTOR | ERJ3GEYJ 473 V (47 kΩ) | T |
| R5082 | 7030003400 | S.RESISTOR | ERJ3GEYJ 471 V (470 Ω) | T |
| R5083 | 7030003400 | S.RESISTOR | ERJ3GEYJ 471 V (470 Ω) | B |
| R5084 | 7030003360 | S.RESISTOR | ERJ3GEYJ 221 V (220 Ω) | B |
| R5085 | 7030003360 | S.RESISTOR | ERJ3GEYJ 221 V (220 Ω) | B |
| R5086 | 7030003560 | S.RESISTOR | ERJ3GEYJ 103 V (100 kΩ) | T |
| R5087 | 7030003680 | S.RESISTOR | ERJ3GEYJ 104 V (100 kΩ) | B |

[PLL UNIT]

| REF NO. | ORDER NO. | DESCRIPTION | | M. |
|---------|------------|--------------|----------------------------|----|
| IC5001 | 1180001070 | S.IC | TA7805F (TE16L) | B |
| IC5031 | 1180001250 | S.IC | TA7808F (TE16L) | B |
| IC5081 | 1120002920 | S.IC | ADM202EARN | T |
| IC5082 | 1130006800 | S.IC | TC7W08F (TE12L) | B |
| IC5083 | 1130007040 | S.IC | TC7W32F (TE12L) | B |
| IC5084 | 1170000290 | S.IC | PS2701-1-F3 | T |
| IC5085 | 1170000290 | S.IC | PS2701-1-F3 | B |
| IC5101 | 1140007880 | S.IC | TC190G08AF-0046-Z/SC-1246A | T |
| IC5102 | 1130004830 | S.IC | TC7SU04F (TE85R) | T |
| IC5103 | 1130004830 | S.IC | TC7SU04F (TE85R) | T |
| IC5401 | 1130009230 | S.IC | LMX2306TMX | T |
| IC5701 | 1140004550 | S.IC | M65343FP/SC1287 | T |
| IC5702 | 1130004830 | S.IC | TC7SU04F (TE85R) | T |
| Q5081 | 1530002690 | S.TRANSISTOR | 2SC4116-GR (TE85R) | T |
| Q5082 | 1530002690 | S.TRANSISTOR | 2SC4116-GR (TE85R) | T |
| Q5083 | 1590000680 | S.TRANSISTOR | DTC114EUA T106 | B |
| Q5084 | 1530002690 | S.TRANSISTOR | 2SC4116-GR (TE85R) | B |
| Q5085 | 1590000680 | S.TRANSISTOR | DTC114EUA T106 | B |
| Q5101 | 1530002690 | S.TRANSISTOR | 2SC4116-GR (TE85R) | T |
| Q5202 | 1530002600 | S.TRANSISTOR | 2SC4215-O (TE85R) | T |
| Q5281 | 1530002600 | S.TRANSISTOR | 2SC4215-O (TE85R) | T |
| Q5301 | 1560000330 | S.FET | 2SK210-GR (TE85R) | T |
| Q5302 | 1530002690 | S.TRANSISTOR | 2SC4116-GR (TE85R) | T |
| Q5351 | 1530002600 | S.TRANSISTOR | 2SC4215-O (TE85R) | T |
| Q5401 | 1590001330 | S.TRANSISTOR | DTA114EUA T106 | T |
| Q5521 | 1560000490 | S.FET | 2SK508 K52 T2B | T |
| Q5553 | 1530002690 | S.TRANSISTOR | 2SC4116-GR (TE85R) | T |
| Q5601 | 1530002600 | S.TRANSISTOR | 2SC4215-O (TE85R) | T |
| Q5602 | 1530002600 | S.TRANSISTOR | 2SC4215-O (TE85R) | T |
| Q5603 | 1530002600 | S.TRANSISTOR | 2SC4215-O (TE85R) | T |
| Q5604 | 1530002600 | S.TRANSISTOR | 2SC4215-O (TE85R) | T |
| Q7301 | 1590000680 | S.TRANSISTOR | DTC114EUA T106 | B |
| D5051 | 1790001250 | S.DIODE | MA2S111-(TX) | B |
| D5081 | 1790001250 | S.DIODE | MA2S111-(TX) | T |
| D5082 | 1790001250 | S.DIODE | MA2S111-(TX) | B |
| D5083 | 1790001250 | S.DIODE | MA2S111-(TX) | B |
| D5084 | 1790001250 | S.DIODE | MA2S111-(TX) | B |
| D5085 | 1790001250 | S.DIODE | MA2S111-(TX) | B |
| D5086 | 1790001250 | S.DIODE | MA2S111-(TX) | B |
| D5101 | 1750000270 | S.DIODE | 1SS301 (TE85R) | T |
| D5301 | 1790000540 | S.VARICAP | MA338 (TX) | T |
| D5302 | 1790001210 | S.DIODE | 1SS375-TL | T |
| D5303 | 1790001210 | S.DIODE | 1SS375-TL | T |
| D5402 | 1750000270 | S.DIODE | 1SS301 (TE85R) | T |
| D5521 | 1720000830 | S.VARICAP | KV1770STL | T |
| D7271 | 1750000190 | S.DIODE | 1SS322 (TE85R) | T |
| D7272 | 1750000190 | S.DIODE | 1SS322 (TE85R) | T |
| D7301 | 1750000550 | S.DIODE | 1SS355 TE-17 | B |
| FI5101 | 2020001820 | S.CERAMIC | SFECV10M5FA00-R0 | T |

M.=Mounted side (T: Mounted on the Top side, B: Mounted on the Bottom side)

S.=Surface mount

[PLL UNIT]

| REF NO. | ORDER NO. | DESCRIPTION | M. |
|---------|------------|--------------------------------------|----|
| R5088 | 7030003640 | S.RESISTOR ERJ3GEYJ 473 V (47 kΩ) | T |
| R5089 | 7030009620 | S.RESISTOR ERJ12YJ120U (12 Ω) | B |
| R5090 | 7030003520 | S.RESISTOR ERJ3GEYJ 472 V (4.7 kΩ) | T |
| R5091 | 7030003520 | S.RESISTOR ERJ3GEYJ 472 V (4.7 kΩ) | B |
| R5092 | 7030003520 | S.RESISTOR ERJ3GEYJ 472 V (4.7 kΩ) | B |
| R5093 | 7030003640 | S.RESISTOR ERJ3GEYJ 473 V (47 kΩ) | B |
| R5094 | 7030003640 | S.RESISTOR ERJ3GEYJ 473 V (47 kΩ) | B |
| R5095 | 7030003640 | S.RESISTOR ERJ3GEYJ 473 V (47 kΩ) | B |
| R5096 | 7030003640 | S.RESISTOR ERJ3GEYJ 473 V (47 kΩ) | B |
| R5097 | 7030003640 | S.RESISTOR ERJ3GEYJ 473 V (47 kΩ) | T |
| R5098 | 7030003640 | S.RESISTOR ERJ3GEYJ 473 V (47 kΩ) | T |
| R5099 | 7030003640 | S.RESISTOR ERJ3GEYJ 473 V (47 kΩ) | T |
| R5101 | 7030007200 | S.RESISTOR ERA3YEB 202V | T |
| R5102 | 7030007200 | S.RESISTOR ERA3YEB 202V | T |
| R5103 | 7030007200 | S.RESISTOR ERA3YEB 202V | T |
| R5104 | 7030007200 | S.RESISTOR ERA3YEB 202V | T |
| R5105 | 7030007200 | S.RESISTOR ERA3YEB 202V | T |
| R5106 | 7030007220 | S.RESISTOR ERA3YED 202V | T |
| R5107 | 7030007220 | S.RESISTOR ERA3YED 202V | T |
| R5108 | 7030007220 | S.RESISTOR ERA3YED 202V | T |
| R5109 | 7030007220 | S.RESISTOR ERA3YED 202V | T |
| R5110 | 7030007220 | S.RESISTOR ERA3YED 202V | T |
| R5111 | 7030007220 | S.RESISTOR ERA3YED 202V | T |
| R5112 | 7030007220 | S.RESISTOR ERA3YED 202V | T |
| R5113 | 7030007210 | S.RESISTOR ERA3YEB 102V | T |
| R5114 | 7030007210 | S.RESISTOR ERA3YEB 102V | T |
| R5115 | 7030007210 | S.RESISTOR ERA3YEB 102V | T |
| R5116 | 7030007210 | S.RESISTOR ERA3YEB 102V | T |
| R5117 | 7030007210 | S.RESISTOR ERA3YEB 102V | T |
| R5118 | 7030007230 | S.RESISTOR ERA3YED 102V | T |
| R5119 | 7030007230 | S.RESISTOR ERA3YED 102V | T |
| R5120 | 7030007230 | S.RESISTOR ERA3YED 102V | T |
| R5121 | 7030007230 | S.RESISTOR ERA3YED 102V | T |
| R5122 | 7030007230 | S.RESISTOR ERA3YED 102V | T |
| R5123 | 7030007230 | S.RESISTOR ERA3YED 102V | T |
| R5124 | 7030007220 | S.RESISTOR ERA3YED 202V | T |
| R5125 | 7030003320 | S.RESISTOR ERJ3GEYJ 101 V (100 Ω) | T |
| R5126 | 7030003800 | S.RESISTOR ERJ3GEYJ 105 V (1 MΩ) | T |
| R5127 | 7030003380 | S.RESISTOR ERJ3GEYJ 331 V (330 Ω) | T |
| R5128 | 7030003320 | S.RESISTOR ERJ3GEYJ 101 V (100 Ω) | T |
| R5129 | 7030003380 | S.RESISTOR ERJ3GEYJ 331 V (330 Ω) | T |
| R5130 | 7030003460 | S.RESISTOR ERJ3GEYJ 152 V (1.5 kΩ) | T |
| R5131 | 7030003400 | S.RESISTOR ERJ3GEYJ 471 V (470 Ω) | T |
| R5132 | 7030003490 | S.RESISTOR ERJ3GEYJ 272 V (2.7 kΩ) | T |
| R5133 | 7030003640 | S.RESISTOR ERJ3GEYJ 473 V (47 kΩ) | T |
| R5134 | 7030003640 | S.RESISTOR ERJ3GEYJ 473 V (47 kΩ) | T |
| R5135 | 7030003800 | S.RESISTOR ERJ3GEYJ 105 V (1 MΩ) | T |
| R5136 | 7030003680 | S.RESISTOR ERJ3GEYJ 104 V (100 kΩ) | T |
| R5137 | 7030003440 | S.RESISTOR ERJ3GEYJ 102 V (1 kΩ) | T |
| R5138 | 7030003440 | S.RESISTOR ERJ3GEYJ 102 V (1 kΩ) | T |
| R5139 | 7030003440 | S.RESISTOR ERJ3GEYJ 102 V (1 kΩ) | T |
| R5140 | 7030003640 | S.RESISTOR ERJ3GEYJ 473 V (47 kΩ) | T |
| R5141 | 7030003640 | S.RESISTOR ERJ3GEYJ 473 V (47 kΩ) | T |
| R5142 | 7030003640 | S.RESISTOR ERJ3GEYJ 473 V (47 kΩ) | T |
| R5143 | 7030003640 | S.RESISTOR ERJ3GEYJ 473 V (47 kΩ) | T |
| R5144 | 7030003640 | S.RESISTOR ERJ3GEYJ 473 V (47 kΩ) | T |
| R5145 | 7030003640 | S.RESISTOR ERJ3GEYJ 473 V (47 kΩ) | T |
| R5146 | 7030003430 | S.RESISTOR ERJ3GEYJ 821 V (820 Ω) | T |
| R5147 | 7030003860 | S.RESISTOR ERJ3GE JPW V | B |
| R5148 | 7030008240 | S.RESISTOR ERJ12YJ0R00U | B |
| R5203 | 7030003320 | S.RESISTOR ERJ3GEYJ 101 V (100 Ω) | T |
| R5204 | 7030003600 | S.RESISTOR ERJ3GEYJ 223 V (22 kΩ) | T |
| R5205 | 7030003560 | S.RESISTOR ERJ3GEYJ 103 V (10 kΩ) | T |
| R5206 | 7030003360 | S.RESISTOR ERJ3GEYJ 221 V (220 Ω) | T |
| R5207 | 7030003280 | S.RESISTOR ERJ3GEYJ 470 V (47 Ω) | T |
| R5251 | 7030003860 | S.RESISTOR ERJ3GE JPW V | B |
| R5252 | 7030003860 | S.RESISTOR ERJ3GE JPW V | B |
| R5254 | 7030003440 | S.RESISTOR ERJ3GEYJ 102 V (1 kΩ) | T |
| R5255 | 7310002740 | S.TRIMMER RV-150 (RH03A3A14X0FC) 103 | T |
| R5256 | 7030003440 | S.RESISTOR ERJ3GEYJ 102 V (1 kΩ) | T |
| R5281 | 7030003400 | S.RESISTOR ERJ3GEYJ 471 V (470 Ω) | T |
| R5282 | 7030003320 | S.RESISTOR ERJ3GEYJ 101 V (100 Ω) | T |
| R5283 | 7030003480 | S.RESISTOR ERJ3GEYJ 222 V (2.2 kΩ) | T |
| R5284 | 7030003520 | S.RESISTOR ERJ3GEYJ 472 V (4.7 kΩ) | T |
| R5302 | 7030003340 | S.RESISTOR ERJ3GEYJ 151 V (150 Ω) | T |
| R5303 | 7030003680 | S.RESISTOR ERJ3GEYJ 104 V (100 kΩ) | T |
| R5304 | 7030003680 | S.RESISTOR ERJ3GEYJ 104 V (100 kΩ) | T |
| R5305 | 7030003340 | S.RESISTOR ERJ3GEYJ 151 V (150 Ω) | T |
| R5306 | 7030003320 | S.RESISTOR ERJ3GEYJ 101 V (100 Ω) | T |
| R5307 | 7030003690 | S.RESISTOR ERJ3GEYJ 124 V (120 kΩ) | T |
| R5308 | 7030003320 | S.RESISTOR ERJ3GEYJ 101 V (100 Ω) | T |
| R5309 | 7030003430 | S.RESISTOR ERJ3GEYJ 821 V (820 Ω) | T |
| R5310 | 7030003430 | S.RESISTOR ERJ3GEYJ 821 V (820 Ω) | T |
| R5311 | 7030003430 | S.RESISTOR ERJ3GEYJ 821 V (820 Ω) | T |
| R5312 | 7030003400 | S.RESISTOR ERJ3GEYJ 471 V (470 Ω) | T |
| R5351 | 7030003570 | S.RESISTOR ERJ3GEYJ 123 V (12 kΩ) | T |
| R5352 | 7030003400 | S.RESISTOR ERJ3GEYJ 471 V (470 Ω) | T |
| R5353 | 7030003440 | S.RESISTOR ERJ3GEYJ 102 V (1 kΩ) | T |

M.=Mounted side (T: Mounted on the Top side, B: Mounted on the Bottom side)

[PLL UNIT]

| REF NO. | ORDER NO. | DESCRIPTION | M. |
|---------|------------|------------------------------------|----|
| R5354 | 7030003400 | S.RESISTOR ERJ3GEYJ 471 V (470 Ω) | T |
| R5401 | 7030003860 | S.RESISTOR ERJ3GE JPW V | T |
| R5403 | 7030003450 | S.RESISTOR ERJ3GEYJ 122 V (1.2 kΩ) | T |
| R5404 | 7030003440 | S.RESISTOR ERJ3GEYJ 102 V (1 kΩ) | T |
| R5406 | 7030003680 | S.RESISTOR ERJ3GEYJ 104 V (100 kΩ) | T |
| R5407 | 7030003440 | S.RESISTOR ERJ3GEYJ 102 V (1 kΩ) | T |
| R5408 | 7030003440 | S.RESISTOR ERJ3GEYJ 102 V (1 kΩ) | T |
| R5409 | 7030003860 | S.RESISTOR ERJ3GE JPW V | T |
| R5410 | 7030003440 | S.RESISTOR ERJ3GEYJ 102 V (1 kΩ) | T |
| R5411 | 7030003860 | S.RESISTOR ERJ3GE JPW V | T |
| R5512 | 7030003860 | S.RESISTOR ERJ3GE JPW V | T |
| R5522 | 7030003370 | S.RESISTOR ERJ3GEYJ 271 V (270 Ω) | T |
| R5524 | 7030003320 | S.RESISTOR ERJ3GEYJ 101 V (100 Ω) | T |
| R5551 | 7030003320 | S.RESISTOR ERJ3GEYJ 101 V (100 Ω) | T |
| R5552 | 7030003860 | S.RESISTOR ERJ3GE JPW V | B |
| R5556 | 7030003560 | S.RESISTOR ERJ3GEYJ 103 V (10 kΩ) | T |
| R5557 | 7030003560 | S.RESISTOR ERJ3GEYJ 103 V (10 kΩ) | T |
| R5601 | 7030003520 | S.RESISTOR ERJ3GEYJ 472 V (4.7 kΩ) | T |
| R5602 | 7030003320 | S.RESISTOR ERJ3GEYJ 101 V (100 Ω) | T |
| R5603 | 7030003440 | S.RESISTOR ERJ3GEYJ 102 V (1 kΩ) | T |
| R5604 | 7030003650 | S.RESISTOR ERJ3GEYJ 563 V (56 kΩ) | T |
| R5605 | 7030003320 | S.RESISTOR ERJ3GEYJ 101 V (100 Ω) | T |
| R5606 | 7030003380 | S.RESISTOR ERJ3GEYJ 331 V (330 Ω) | T |
| R5607 | 7030003520 | S.RESISTOR ERJ3GEYJ 472 V (4.7 kΩ) | T |
| R5608 | 7030003520 | S.RESISTOR ERJ3GEYJ 472 V (4.7 kΩ) | T |
| R5609 | 7030003320 | S.RESISTOR ERJ3GEYJ 101 V (100 Ω) | T |
| R5610 | 7030003360 | S.RESISTOR ERJ3GEYJ 221 V (220 Ω) | T |
| R5611 | 7030003860 | S.RESISTOR ERJ3GE JPW V | T |
| R5612 | 7030003380 | S.RESISTOR ERJ3GEYJ 331 V (330 Ω) | T |
| R5613 | 7030003650 | S.RESISTOR ERJ3GEYJ 563 V (56 kΩ) | T |
| R5614 | 7030003350 | S.RESISTOR ERJ3GEYJ 181 V (180 Ω) | T |
| R5701 | 7030007220 | S.RESISTOR ERA3YED 202V | T |
| R5702 | 7030007230 | S.RESISTOR ERA3YED 102V | T |
| R5703 | 7030007230 | S.RESISTOR ERA3YED 102V | T |
| R5704 | 7030007230 | S.RESISTOR ERA3YED 102V | T |
| R5705 | 7030007230 | S.RESISTOR ERA3YED 102V | T |
| R5706 | 7030007230 | S.RESISTOR ERA3YED 102V | T |
| R5707 | 7030007230 | S.RESISTOR ERA3YED 102V | T |
| R5708 | 7030007210 | S.RESISTOR ERA3YEB 102V | T |
| R5709 | 7030007210 | S.RESISTOR ERA3YEB 102V | T |
| R5710 | 7030007210 | S.RESISTOR ERA3YEB 102V | T |
| R5711 | 7030007220 | S.RESISTOR ERA3YED 202V | T |
| R5712 | 7030007220 | S.RESISTOR ERA3YED 202V | T |
| R5713 | 7030007220 | S.RESISTOR ERA3YED 202V | T |
| R5714 | 7030007220 | S.RESISTOR ERA3YED 202V | T |
| R5715 | 7030007230 | S.RESISTOR ERA3YED 102V | T |
| R5716 | 7030007220 | S.RESISTOR ERA3YED 202V | T |
| R5717 | 7030007220 | S.RESISTOR ERA3YED 202V | T |
| R5718 | 7030007200 | S.RESISTOR ERA3YEB 202V | T |
| R5719 | 7030007200 | S.RESISTOR ERA3YEB 202V | T |
| R5720 | 7030007200 | S.RESISTOR ERA3YEB 202V | T |
| R5721 | 7030003800 | S.RESISTOR ERJ3GEYJ 105 V (1 MΩ) | T |
| R5722 | 7030003320 | S.RESISTOR ERJ3GEYJ 101 V (100 Ω) | T |
| R5781 | 7030003450 | S.RESISTOR ERJ3GEYJ 122 V (1.2 kΩ) | B |
| R5782 | 7030003340 | S.RESISTOR ERJ3GEYJ 151 V (150 Ω) | B |
| R5783 | 7030003450 | S.RESISTOR ERJ3GEYJ 122 V (1.2 kΩ) | B |
| R7271 | 7030003560 | S.RESISTOR ERJ3GEYJ 103 V (10 kΩ) | T |
| R7272 | 7030003490 | S.RESISTOR ERJ3GEYJ 272 V (2.7 kΩ) | T |
| R7273 | 7030003520 | S.RESISTOR ERJ3GEYJ 472 V (4.7 kΩ) | T |
| R7274 | 7030006220 | S.RESISTOR ERJ12YJ470U (47 Ω) | B |
| R7275 | 7030003560 | S.RESISTOR ERJ3GEYJ 103 V (10 kΩ) | T |
| R7276 | 7030003490 | S.RESISTOR ERJ3GEYJ 272 V (2.7 kΩ) | T |
| R7277 | 7030003520 | S.RESISTOR ERJ3GEYJ 472 V (4.7 kΩ) | T |
| R7301 | 7030003200 | S.RESISTOR ERJ3GEYJ 100 V (10 Ω) | B |
| R7314 | 7540000250 | ABSORBER SA05C 401N | T |
| R7315 | 7030010650 | S.RESISTOR ERJ12YJ823U (82 kΩ) | B |
| R7353 | 7030007180 | S.RESISTOR ERJ12YJ150U (15 Ω) | B |
| R7354 | 7030009620 | S.RESISTOR ERJ12YJ120U (12 Ω) | B |
| R7355 | 7030006060 | S.RESISTOR ERJ12YJ100U (10 Ω) | B |
| R7356 | 7030006060 | S.RESISTOR ERJ12YJ100U (10 Ω) | B |
| R7357 | 7030006060 | S.RESISTOR ERJ12YJ100U (10 Ω) | B |
| R7358 | 7030006060 | S.RESISTOR ERJ12YJ100U (10 Ω) | B |
| C5021 | 4510004640 | S.ELECTROLYTIC ECEV1CA470SP | T |
| C5022 | 4030011600 | S.CERAMIC C1608 JB 1E 104K-T | B |
| C5023 | 4030011600 | S.CERAMIC C1608 JB 1E 104K-T | B |
| C5024 | 4510007510 | S.ELECTOR ECEV1AA470WR | T |
| C5031 | 4510004640 | S.ELECTROLYTIC ECEV1CA470SP | T |
| C5032 | 4030011600 | S.CERAMIC C1608 JB 1E 104K-T | B |
| C5033 | 4030011600 | S.CERAMIC C1608 JB 1E 104K-T | B |
| C5034 | 4510007510 | S.ELECTOR ECEV1AA470WR | T |
| C5041 | 4030006880 | S.CERAMIC C1608 JB 1H 472K-T | B |
| C5051 | 4030011600 | S.CERAMIC C1608 JB 1E 104K-T | B |
| C5052 | 4030007170 | S.CERAMIC C1608 CH 1H 221J-T | B |
| C5053 | 4030007170 | S.CERAMIC C1608 CH 1H 221J-T | B |
| C5054 | 4030007170 | S.CERAMIC C1608 CH 1H 221J-T | B |
| C5055 | 4030007170 | S.CERAMIC C1608 CH 1H 221J-T | B |

S.=Surface mount

[PLL UNIT]

| REF NO. | ORDER NO. | DESCRIPTION | M. |
|---------|------------|------------------------------|----|
| C5080 | 4030006880 | S.CERAMIC C1608 JB 1H 472K-T | B |
| C5081 | 4030006880 | S.CERAMIC C1608 JB 1H 472K-T | T |
| C5082 | 4030006880 | S.CERAMIC C1608 JB 1H 472K-T | B |
| C5083 | 4030006900 | S.CERAMIC C1608 JB 1H 103K-T | B |
| C5084 | 4030006900 | S.CERAMIC C1608 JB 1H 103K-T | T |
| C5085 | 4030008680 | S.CERAMIC C2012 JF 1C 105Z-T | T |
| C5086 | 4030008680 | S.CERAMIC C2012 JF 1C 105Z-T | T |
| C5087 | 4030008680 | S.CERAMIC C2012 JF 1C 105Z-T | T |
| C5088 | 4030008680 | S.CERAMIC C2012 JF 1C 105Z-T | B |
| C5089 | 4030006900 | S.CERAMIC C1608 JB 1H 103K-T | B |
| C5091 | 4030006900 | S.CERAMIC C1608 JB 1H 103K-T | T |
| C5092 | 4030006880 | S.CERAMIC C1608 JB 1H 472K-T | T |
| C5093 | 4030006880 | S.CERAMIC C1608 JB 1H 472K-T | B |
| C5101 | 4030007060 | S.CERAMIC C1608 CH 1H 270J-T | T |
| C5102 | 4030007010 | S.CERAMIC C1608 CH 1H 100D-T | T |
| C5103 | 4030006960 | S.CERAMIC C1608 CH 1H 050C-T | T |
| C5104 | 4030006880 | S.CERAMIC C1608 JB 1H 472K-T | T |
| C5105 | 4030006880 | S.CERAMIC C1608 JB 1H 102K-T | T |
| C5106 | 4030006880 | S.CERAMIC C1608 JB 1H 472K-T | T |
| C5107 | 4030006880 | S.CERAMIC C1608 JB 1H 472K-T | T |
| C5108 | 4030006880 | S.CERAMIC C1608 JB 1H 472K-T | T |
| C5110 | 4510004630 | S.ELECTROLYTIC ECEV1CA100SR | T |
| C5111 | 4030006880 | S.CERAMIC C1608 JB 1H 472K-T | T |
| C5112 | 4030007090 | S.CERAMIC C1608 CH 1H 470J-T | T |
| C5113 | 4030006880 | S.CERAMIC C1608 JB 1H 472K-T | T |
| C5115 | 4030006880 | S.CERAMIC C1608 JB 1H 472K-T | T |
| C5116 | 4510004640 | S.ELECTROLYTIC ECEV1CA470SP | T |
| C5117 | 4030006880 | S.CERAMIC C1608 JB 1H 472K-T | T |
| C5118 | 4030006880 | S.CERAMIC C1608 JB 1H 472K-T | T |
| C5120 | 4030006880 | S.CERAMIC C1608 JB 1H 472K-T | T |
| C5121 | 4030006880 | S.CERAMIC C1608 JB 1H 472K-T | T |
| C5122 | 4030006880 | S.CERAMIC C1608 JB 1H 472K-T | T |
| C5123 | 4030006880 | S.CERAMIC C1608 JB 1H 472K-T | T |
| C5124 | 4030006880 | S.CERAMIC C1608 JB 1H 472K-T | T |
| C5125 | 4030011600 | S.CERAMIC C1608 JB 1E 104K-T | T |
| C5126 | 4030011600 | S.CERAMIC C1608 JB 1E 104K-T | T |
| C5130 | 4030011600 | S.CERAMIC C1608 JB 1E 104K-T | B |
| C5131 | 4340000050 | S.MYLAR ECH-U 1C472JB5 | B |
| C5201 | 4030006860 | S.CERAMIC C1608 JB 1H 102K-T | T |
| C5202 | 4030006860 | S.CERAMIC C1608 JB 1H 102K-T | T |
| C5203 | 4030006880 | S.CERAMIC C1608 JB 1H 472K-T | T |
| C5204 | 4030006880 | S.CERAMIC C1608 JB 1H 472K-T | T |
| C5205 | 4030007030 | S.CERAMIC C1608 CH 1H 150J-T | T |
| C5206 | 4030006910 | S.CERAMIC C1608 CH 1H 0R5C-T | T |
| C5207 | 4030007030 | S.CERAMIC C1608 CH 1H 150J-T | T |
| C5208 | 4030007100 | S.CERAMIC C1608 CH 1H 560J-T | B |
| C5209 | 4030007100 | S.CERAMIC C1608 CH 1H 560J-T | B |
| C5256 | 4030006990 | S.CERAMIC C1608 CH 1H 080D-T | T |
| C5257 | 4030006920 | S.CERAMIC C1608 CH 1H 010C-T | T |
| C5258 | 4030007010 | S.CERAMIC C1608 CH 1H 100D-T | T |
| C5259 | 4030006930 | S.CERAMIC C1608 CH 1H 020C-T | T |
| C5260 | 4030006980 | S.CERAMIC C1608 CH 1H 070D-T | T |
| C5261 | 4030006880 | S.CERAMIC C1608 JB 1H 472K-T | T |
| C5262 | 4030011600 | S.CERAMIC C1608 JB 1E 104K-T | T |
| C5263 | 4510004630 | S.ELECTROLYTIC ECEV1CA100SR | T |
| C5264 | 4030006880 | S.CERAMIC C1608 JB 1H 472K-T | T |
| C5281 | 4030006880 | S.CERAMIC C1608 JB 1H 472K-T | T |
| C5282 | 4030006860 | S.CERAMIC C1608 JB 1H 102K-T | T |
| C5283 | 4030006880 | S.CERAMIC C1608 JB 1H 472K-T | T |
| C5301 | 4550000730 | S.TANTALUM TEESVA OJ 225M8L | T |
| C5302 | 4030006880 | S.CERAMIC C1608 JB 1H 472K-T | T |
| C5303 | 4030009650 | S.CERAMIC C1608 CH 1H 240J-T | T |
| C5304 | 4030011570 | S.CERAMIC CM105 CH 101G 50AT | T |
| C5305 | 4610001850 | S.TRIMMER TZB4R200AB10R00 | T |
| C5306 | 4030007150 | S.CERAMIC C1608 CH 1H 151J-T | T |
| C5307 | 4030007150 | S.CERAMIC C1608 CH 1H 151J-T | T |
| C5308 | 4030007150 | S.CERAMIC C1608 CH 1H 151J-T | T |
| C5309 | 4030006880 | S.CERAMIC C1608 JB 1H 472K-T | T |
| C5310 | 4030007010 | S.CERAMIC C1608 CH 1H 100D-T | T |
| C5311 | 4030006880 | S.CERAMIC C1608 JB 1H 472K-T | T |
| C5312 | 4510004630 | S.ELECTROLYTIC ECEV1CA100SR | T |
| C5313 | 4030006880 | S.CERAMIC C1608 JB 1H 472K-T | T |
| C5314 | 4030006880 | S.CERAMIC C1608 JB 1H 472K-T | T |
| C5315 | 4030006880 | S.CERAMIC C1608 JB 1H 472K-T | T |
| C5351 | 4030006880 | S.CERAMIC C1608 JB 1H 472K-T | T |
| C5352 | 4030006880 | S.CERAMIC C1608 JB 1H 472K-T | T |
| C5353 | 4030006880 | S.CERAMIC C1608 JB 1H 472K-T | T |
| C5354 | 4030010000 | S.CERAMIC C1608 CH 1H 510J-T | T |
| C5355 | 4030006960 | S.CERAMIC C1608 CH 1H 050C-T | T |
| C5356 | 4030010000 | S.CERAMIC C1608 CH 1H 510J-T | T |
| C5357 | 4030006880 | S.CERAMIC C1608 JB 1H 472K-T | T |
| C5401 | 4030011600 | S.CERAMIC C1608 JB 1E 104K-T | T |
| C5402 | 4030006860 | S.CERAMIC C1608 JB 1H 102K-T | T |
| C5403 | 4030006900 | S.CERAMIC C1608 JB 1H 103K-T | T |
| C5404 | 4030006880 | S.CERAMIC C1608 JB 1H 472K-T | T |
| C5408 | 4550005980 | S.TANTALUM TEESVA 1A 475M8L | T |
| C5521 | 4610001830 | S.TRIMMER TZB4S100AB10R00 | T |
| C5522 | 4030007130 | S.CERAMIC C1608 CH 1H 101J-T | T |

M.=Mounted side (T: Mounted on the Top side, B: Mounted on the Bottom side)

[PLL UNIT]

| REF NO. | ORDER NO. | DESCRIPTION | M. |
|---------|------------|---|----|
| C5523 | 4030007010 | S.CERAMIC C1608 CH 1H 100D-T | T |
| C5524 | 4030006880 | S.CERAMIC C1608 JB 1H 472K-T | T |
| C5525 | 4030006870 | S.CERAMIC C1608 JB 1H 222K-T | T |
| C5526 | 4030009520 | S.CERAMIC C1608 CH 1H 020B-T | T |
| C5528 | 4030006860 | S.CERAMIC C1608 JB 1H 102K-T | T |
| C5529 | 4030011340 | S.CERAMIC C1608 CH 1H 471J-T | T |
| C5551 | 4550005980 | S.TANTALUM TEESVA 1A 475M8L | T |
| C5552 | 4550003250 | S.TANTALUM TEESVA 1V 474M8L | T |
| C5556 | 4030006860 | S.CERAMIC C1608 JB 1H 102K-T | T |
| C5557 | 4030011600 | S.CERAMIC C1608 JB 1E 104K-T | T |
| C5558 | 4510004590 | ELECTROLYTIC 16 MV 470 HC | T |
| C5560 | 4510005430 | S.ELECTROLYTIC ECEV0JA220SR | T |
| C5561 | 4030011340 | S.CERAMIC C1608 CH 1H 471J-T | T |
| C5601 | 4030006880 | S.CERAMIC C1608 JB 1H 472K-T | T |
| C5602 | 4030006860 | S.CERAMIC C1608 JB 1H 102K-T | T |
| C5603 | 4030006880 | S.CERAMIC C1608 JB 1H 472K-T | T |
| C5604 | 4030006880 | S.CERAMIC C1608 JB 1H 472K-T | T |
| C5605 | 4030006880 | S.CERAMIC C1608 JB 1H 472K-T | T |
| C5606 | 4030006860 | S.CERAMIC C1608 JB 1H 102K-T | T |
| C5607 | 4030006880 | S.CERAMIC C1608 JB 1H 472K-T | T |
| C5608 | 4030006880 | S.CERAMIC C1608 JB 1H 472K-T | T |
| C5609 | 4030007090 | S.CERAMIC C1608 CH 1H 470J-T | T |
| C5610 | 4030007130 | S.CERAMIC C1608 CH 1H 101J-T | T |
| C5611 | 4030007090 | S.CERAMIC C1608 CH 1H 470J-T | T |
| C5612 | 4030007060 | S.CERAMIC C1608 CH 1H 270J-T | T |
| C5613 | 4030007020 | S.CERAMIC C1608 CH 1H 120J-T | T |
| C5614 | 4030007060 | S.CERAMIC C1608 CH 1H 270J-T | T |
| C5615 | 4030006970 | S.CERAMIC C1608 CH 1H 060D-T | T |
| C5616 | 4030007040 | S.CERAMIC C1608 CH 1H 180J-T | T |
| C5617 | 4030006860 | S.CERAMIC C1608 JB 1H 102K-T | T |
| C5618 | 4030006880 | S.CERAMIC C1608 JB 1H 472K-T | T |
| C5619 | 4030006930 | S.CERAMIC C1608 CH 1H 020C-T | T |
| C5701 | 4030006880 | S.CERAMIC C1608 JB 1H 472K-T | T |
| C5702 | 4030006880 | S.CERAMIC C1608 JB 1H 472K-T | T |
| C5703 | 4030006880 | S.CERAMIC C1608 JB 1H 472K-T | T |
| C5704 | 4030006880 | S.CERAMIC C1608 JB 1H 472K-T | T |
| C5705 | 4030006880 | S.CERAMIC C1608 JB 1H 472K-T | T |
| C5706 | 4030006880 | S.CERAMIC C1608 JB 1H 472K-T | T |
| C5707 | 4030006880 | S.CERAMIC C1608 JB 1H 472K-T | T |
| C5708 | 4510005600 | S.ELECTROLYTIC ECEV1CS100SR | T |
| C5709 | 4030006880 | S.CERAMIC C1608 JB 1H 472K-T | T |
| C5710 | 4030006860 | S.CERAMIC C1608 JB 1H 102K-T | T |
| C5711 | 4030007010 | S.CERAMIC C1608 CH 1H 100D-T | T |
| C5781 | 4030011280 | S.CERAMIC C1608 CH 1H 271J-T | T |
| C5782 | 4030007080 | S.CERAMIC C1608 CH 1H 390J-T | T |
| C5783 | 4030011340 | S.CERAMIC C1608 CH 1H 471J-T | T |
| C5784 | 4030007110 | S.CERAMIC C1608 CH 1H 680J-T | T |
| C5785 | 4030011340 | S.CERAMIC C1608 CH 1H 471J-T | T |
| C5794 | 4030006880 | S.CERAMIC C1608 JB 1H 472K-T | T |
| C7031 | 4030008680 | S.CERAMIC C2012 JF 1C 105Z-T | B |
| C7032 | 4030011600 | S.CERAMIC C1608 JB 1E 104K-T | B |
| C7033 | 4320001160 | DIP_MICA KD20C 182J5A | T |
| C7034 | 4010006410 | CERAMIC HM13SJ SL 471J 500V | T |
| C7035 | 4010005930 | CERAMIC HM11SJ SL 391J 500V | T |
| C7036 | 4320000981 | DIP MICA KD20C 222J5A | T |
| C7038 | 4030014460 | S.CERAMIC GRM31M2C2H820JV01L (GRM42-6 CH) | B |
| C7039 | 4320000721 | DIP MICA KD20C 152J5A | T |
| C7040 | 4030012480 | S.CERAMIC GRM31M2C2H121JV01L (GRM42-6 CH) | B |
| C7046 | 4030011600 | S.CERAMIC C1608 JB 1E 104K-T | B |
| C7061 | 4030008680 | S.CERAMIC C2012 JF 1C 105Z-T | B |
| C7062 | 4030011600 | S.CERAMIC C1608 JB 1E 104K-T | B |
| C7072 | 4010006410 | CERAMIC HM13SJ SL 471J 500V | T |
| C7073 | 4010006410 | CERAMIC HM13SJ SL 471J 500V | T |
| C7074 | 4010006410 | CERAMIC HM13SJ SL 471J 500V | T |
| C7077 | 4010006410 | CERAMIC HM13SJ SL 471J 500V | T |
| C7078 | 4010006410 | CERAMIC HM13SJ SL 471J 500V | T |
| C7079 | 4010006410 | CERAMIC HM13SJ SL 471J 500V | T |
| C7080 | 4030014460 | S.CERAMIC GRM31M2C2H820JV01L (GRM42-6 CH) | B |
| C7081 | 4030011550 | S.CERAMIC GRM31M2C2H680JV01L (GRM42-6 CH) | B |
| C7082 | 4010005930 | CERAMIC HM11SJ SL 391J 500V | T |
| C7083 | 4010005370 | CERAMIC HM11SJ SL 331J 500V | T |
| C7085 | 4030011600 | S.CERAMIC C1608 JB 1E 104K-T | B |
| C7091 | 4030008680 | S.CERAMIC C2012 JF 1C 105Z-T | B |
| C7092 | 4030006880 | S.CERAMIC C1608 JB 1H 472K-T | T |
| C7094 | 4010005370 | CERAMIC HM11SJ SL 331J 500V | T |
| C7095 | 4010007490 | CERAMIC HM15SJ SL 561J 500V | T |
| C7096 | 4010006410 | CERAMIC HM13SJ SL 471J 500V | T |
| C7097 | 4030011510 | S.CERAMIC GRM31M2C2H560JV01L (GRM42-6 CH) | B |
| C7098 | 4010006410 | CERAMIC HM13SJ SL 471J 500V | T |
| C7099 | 4010007490 | CERAMIC HM15SJ SL 561J 500V | T |
| C7102 | 4030006880 | S.CERAMIC C1608 JB 1H 472K-T | B |
| C7105 | 4010005930 | CERAMIC HM11SJ SL 391J 500V | T |
| C7106 | 4030014460 | S.CERAMIC GRM31M2C2H820JV01L (GRM42-6 CH) | B |
| C7107 | 4030011550 | S.CERAMIC GRM31M2C2H680JV01L (GRM42-6 CH) | B |
| C7110 | 4030011120 | S.CERAMIC GRM31M2C2H100JV01L (GRM42-6 CH) | B |
| C7121 | 4030008680 | S.CERAMIC C2012 JF 1C 105Z-T | B |
| C7122 | 4030006880 | S.CERAMIC C1608 JB 1H 472K-T | B |
| C7123 | 4010005870 | CERAMIC HM95SJ SL 221J 500V | T |

S.=Surface mount

[PLL UNIT]

| REF NO. | ORDER NO. | DESCRIPTION | M. |
|---------|------------|---|----|
| C7126 | 4010005360 | CERAMIC HM11SJ SL 301J 500V | T |
| C7128 | 4010005370 | CERAMIC HM11SJ SL 331J 500V | T |
| C7129 | 4010005870 | CERAMIC HM95SJ SL 221J 500V | T |
| C7130 | 4030011550 | S.CERAMIC GRM31M2C2H680JV01L (GRM42-6 CH) | B |
| C7131 | 4030012480 | S.CERAMIC GRM31M2C2H121JV01L (GRM42-6 CH) | B |
| C7132 | 4030012480 | S.CERAMIC GRM31M2C2H121JV01L (GRM42-6 CH) | B |
| C7133 | 4030006880 | S.CERAMIC C1608 JB 1H 472K-T | B |
| C7134 | 4030011120 | S.CERAMIC GRM31M2C2H100JV01L (GRM42-6 CH) | B |
| C7181 | 4030008680 | S.CERAMIC C2012 JF 1C 105Z-T | B |
| C7182 | 4030006880 | S.CERAMIC C1608 JB 1H 472K-T | B |
| C7183 | 4030014460 | S.CERAMIC GRM31M2C2H820JV01L (GRM42-6 CH) | B |
| C7184 | 4030014460 | S.CERAMIC GRM31M2C2H820JV01L (GRM42-6 CH) | B |
| C7185 | 4030011730 | S.CERAMIC GRM31M2C2H101JV01L (GRM42-6 CH) | B |
| C7186 | 4030011550 | S.CERAMIC GRM31M2C2H680JV01L (GRM42-6 CH) | B |
| C7187 | 4030011730 | S.CERAMIC GRM31M2C2H101JV01L (GRM42-6 CH) | B |
| C7188 | 4030011240 | S.CERAMIC GRM31M2C2H470JV01L (GRM42-6 CH) | B |
| C7190 | 4030006880 | S.CERAMIC C1608 JB 1H 472K-T | B |
| C7193 | 4030011550 | S.CERAMIC GRM31M2C2H680JV01L (GRM42-6 CH) | B |
| C7194 | 4030011730 | S.CERAMIC GRM31M2C2H101JV01L (GRM42-6 CH) | B |
| C7195 | 4030011730 | S.CERAMIC GRM31M2C2H101JV01L (GRM42-6 CH) | B |
| C7196 | 4030011730 | S.CERAMIC GRM31M2C2H101JV01L (GRM42-6 CH) | B |
| C7241 | 4030006880 | S.CERAMIC C1608 JB 1H 472K-T | B |
| C7243 | 4030011730 | S.CERAMIC GRM31M2C2H101JV01L (GRM42-6 CH) | B |
| C7244 | 4030011510 | S.CERAMIC GRM31M2C2H560JV01L (GRM42-6 CH) | B |
| C7245 | 4030011550 | S.CERAMIC GRM31M2C2H680JV01L (GRM42-6 CH) | B |
| C7247 | 4030011240 | S.CERAMIC GRM31M2C2H470JV01L (GRM42-6 CH) | B |
| C7248 | 4030011210 | S.CERAMIC GRM31M2C2H330JV01L (GRM42-6 CH) | B |
| C7250 | 4030006880 | S.CERAMIC C1608 JB 1H 472K-T | B |
| C7253 | 4030011550 | S.CERAMIC GRM31M2C2H680JV01L (GRM42-6 CH) | B |
| C7271 | 4030011330 | S.CERAMIC C1608 CH 1H 391J-T | T |
| C7272 | 4030011600 | S.CERAMIC C1608 JB 1E 104K-T | T |
| C7273 | 4030011330 | S.CERAMIC C1608 CH 1H 391J-T | T |
| C7274 | 4030011600 | S.CERAMIC C1608 JB 1E 104K-T | T |
| C7275 | 4610002230 | TRIMMER TZB4Z100DB10B00 | T |
| C7277 | 4010005830 | CERAMIC HM74SJ SL 151J 500V | T |
| C7278 | 4030007130 | S.CERAMIC C1608 CH 1H 101J-T | T |
| C7279 | 4030007130 | S.CERAMIC C1608 CH 1H 101J-T | T |
| C7301 | 4030006880 | S.CERAMIC C1608 JB 1H 472K-T | B |
| C7302 | 4030006880 | S.CERAMIC C1608 JB 1H 472K-T | B |
| C7303 | 4030006880 | S.CERAMIC C1608 JB 1H 472K-T | B |
| C7304 | 4030006880 | S.CERAMIC C1608 JB 1H 472K-T | B |
| C7305 | 4030006880 | S.CERAMIC C1608 JB 1H 472K-T | B |
| C7306 | 4030006880 | S.CERAMIC C1608 JB 1H 472K-T | B |
| C7321 | 4030011730 | S.CERAMIC GRM31M2C2H101JV01L (GRM42-6 CH) | B |
| C7322 | 4030011170 | S.CERAMIC GRM31M2C2H180JV01L (GRM42-6 CH) | B |
| C7323 | 4030011730 | S.CERAMIC GRM31M2C2H101JV01L (GRM42-6 CH) | B |
| C7325 | 4030011790 | S.CERAMIC GRM55RF52A684ZD01L (GRM44-1) | T |
| C7332 | 4030006880 | S.CERAMIC C1608 JB 1H 472K-T | B |
| C7346 | 4030006880 | S.CERAMIC C1608 JB 1H 472K-T | B |
| RL5081 | 6330001640 | RELAY ATX209 | T |
| RL7031 | 6330001800 | RELAY MZ-9D-K | T |
| RL7032 | 6330001800 | RELAY MZ-9D-K | T |
| RL7061 | 6330001800 | RELAY MZ-9D-K | T |
| RL7062 | 6330001800 | RELAY MZ-9D-K | T |
| RL7091 | 6330001800 | RELAY MZ-9D-K | T |
| RL7092 | 6330001800 | RELAY MZ-9D-K | T |
| RL7121 | 6330001800 | RELAY MZ-9D-K | T |
| RL7122 | 6330001800 | RELAY MZ-9D-K | T |
| RL7181 | 6330001800 | RELAY MZ-9D-K | T |
| RL7182 | 6330001800 | RELAY MZ-9D-K | T |
| RL7241 | 6330001800 | RELAY MZ-9D-K | T |
| RL7242 | 6330001800 | RELAY MZ-9D-K | T |
| RL7301 | 6330000780 | RELAY AGP 2013 (DSP1-DC12V) | T |
| J5001 | 6510023090 | S.CONNECTOR 20FLT-SM1-TB | T |
| J5041 | 6510023750 | CONNECTOR 01K1971-10 | T |
| J5051 | 6510023120 | CONNECTOR CD6109SA1J0 <CVI> | T |
| J5081 | 6510023120 | CONNECTOR CD6109SA1J0 <CVI> | T |
| J5091 | 6510023750 | CONNECTOR 01K1971-10 | T |
| J7311 | 6510007020 | CONNECTOR TMP-J01X-V6 | T |
| J7331 | 6510021720 | S.CONNECTOR 30FLT-SM1-TB | T |
| W5201 | 8970024360 | 1.5 (d) coaxial cable 190 mm | T |
| W5601 | 8970024370 | 1.5 (d) coaxial cable 140 mm | T |
| W7001 | 8970024380 | 1.5 (d) coaxial cable 135 mm | T |
| W7321 | 8970024390 | 1.5 (d) coaxial cable 300 mm | T |
| EP5001 | 0910057213 | PCB B 6056C | |

M.=Mounted side (T: Mounted on the Top side, B: Mounted on the Bottom side)

[PA UNIT]

| REF NO. | ORDER NO. | DESCRIPTION | M. |
|---------|------------|---------------------------------------|----|
| IC6501 | 1110002700 | S.IC NJM2904M-TE1 | T |
| IC6601 | 1180001250 | S.IC TA7808F (TE16L) | T |
| Q6101 | 1560001240 | S.FET RD01MUS1 | T |
| Q6401 | 1590003140 | TRANSISTOR SD1405 | T |
| Q6402 | 1590003140 | TRANSISTOR SD1405 | T |
| Q6403 | 1540000500 | TRANSISTOR 2SD1585K | T |
| Q6501 | 1540000550 | S.TRANSISTOR 2SD1664 T100Q | T |
| Q6601 | 1510001040 | S.TRANSISTOR 2SA1037AKT146S | T |
| Q6602 | 1590000680 | S.TRANSISTOR DTC114EUA T106 | T |
| Q6701 | 1590000680 | S.TRANSISTOR DTC114EUA T106 | T |
| Q6702 | 1520000650 | S.TRANSISTOR 2SB1201-S-TL | T |
| Q6703 | 1540000470 | S.TRANSISTOR 2SD1801S-TL | T |
| Q6704 | 1540000470 | S.TRANSISTOR 2SD1801S-TL | T |
| Q6705 | 1540000470 | S.TRANSISTOR 2SD1801S-TL | T |
| Q6706 | 1540000470 | S.TRANSISTOR 2SD1801S-TL | T |
| Q6801 | 1590003050 | S.FET PD55003 SΩ $\sqrt{\text{0}}\Pi$ | T |
| D6601 | 1750001060 | S.DIODE MBRB4030T4 | T |
| D6602 | 1730000520 | ZENER RD20E B2 | T |
| D6606 | 1790001670 | S.DIODE RB706F-40T106 | T |
| D6701 | 1160000140 | S.DIODE DAP222 TL | T |
| D6702 | 1730000480 | S.ZENER RD10M-T2B3 | T |
| D6703 | 1790001250 | S.DIODE MA2S111-(TX) | T |
| D6704 | 1790000680 | S.DIODE SB20-03P-TD | T |
| D6705 | 1790000680 | S.DIODE SB20-03P-TD | T |
| D6706 | 1790000680 | S.DIODE SB20-03P-TD | T |
| D6707 | 1790000680 | S.DIODE SB20-03P-TD | T |
| L6101 | 6200003840 | S.COIL MLF2012D R22K-T | T |
| L6102 | 6180000990 | COIL LAL 04NA 101K | T |
| L6202 | 6140002220 | COIL LR-270 (TR6X3X2 3A9) | T |
| L6204 | 2040000490 | COIL EXC-ELDR25C | T |
| L6301 | 6140003720 | COIL LR-416 <KN> | T |
| L6303 | 2040000490 | COIL EXC-ELDR25C | T |
| L6401 | 2040000490 | COIL EXC-ELDR25C | T |
| L6402 | 2040000490 | COIL EXC-ELDR25C | T |
| L6403 | 2040000490 | COIL EXC-ELDR25C | T |
| L6404 | 6140003590 | COIL LR-400 | T |
| L6405 | 6140003950 | COIL LR-438 <KN> | T |
| L6406 | 6140002030 | COIL LR-230 (SK-10M-15Y 120) | T |
| L6407 | 2040000490 | COIL EXC-ELDR25C | T |
| L6408 | 6110001740 | COIL LA-263 | T |
| L6501 | 6200003260 | S.COIL NL 322522T-101J | T |
| L6701 | 6200003590 | S.COIL EXCCCL3225U1 | T |
| L6702 | 6200002040 | S.COIL NL 252018T-101J | T |
| L6703 | 6200003260 | S.COIL NL 322522T-101J | T |
| L6704 | 6200003260 | S.COIL NL 322522T-101J | T |
| L6705 | 6200008820 | S.COIL HF70ACC 635050-T | T |
| L6706 | 6200008820 | S.COIL HF70ACC 635050-T | T |
| L6707 | 2040000490 | COIL EXC-ELDR25C | T |
| L6708 | 2040000490 | COIL EXC-ELDR25C | T |
| L6709 | 6200003260 | S.COIL NL 322522T-101J | T |
| L6710 | 6200003260 | S.COIL NL 322522T-101J | T |
| L6711 | 2040000490 | COIL EXC-ELDR25C | T |
| L6712 | 2040000490 | COIL EXC-ELDR25C | T |
| R6101 | 7030003230 | S.RESISTOR ERJ3GEYJ 180 V (18 Ω) | T |
| R6102 | 7030003370 | S.RESISTOR ERJ3GEYJ 271 V (270 Ω) | T |
| R6103 | 7030003370 | S.RESISTOR ERJ3GEYJ 271 V (270 Ω) | T |
| R6104 | 7030003300 | S.RESISTOR ERJ3GEYJ 680 V (68 Ω) | T |
| R6105 | 7030003480 | S.RESISTOR ERJ3GEYJ 222 V (2.2 kΩ) | T |
| R6106 | 7030003520 | S.RESISTOR ERJ3GEYJ 472 V (4.7 kΩ) | T |
| R6107 | 7030003370 | S.RESISTOR ERJ3GEYJ 271 V (270 Ω) | T |
| R6109 | 7030003400 | S.RESISTOR ERJ3GEYJ 471 V (470 Ω) | T |
| R6110 | 7030000210 | S.RESISTOR MCR10EZJH 39 Ω (390) | T |
| R6111 | 7030000210 | S.RESISTOR MCR10EZJH 39 Ω (390) | T |
| R6112 | 7030000210 | S.RESISTOR MCR10EZJH 39 Ω (390) | T |
| R6114 | 7030003860 | S.RESISTOR ERJ3GE JPW V | T |
| R6201 | 7030000250 | S.RESISTOR MCR10EZJH 82 Ω (820) | T |
| R6202 | 7030003510 | S.RESISTOR ERJ3GEYJ 392 V (3.9 kΩ) | T |
| R6203 | 7030003520 | S.RESISTOR ERJ3GEYJ 472 V (4.7 kΩ) | T |
| R6204 | 7030011130 | S.RESISTOR ERJ1TYJ 1R0U (1 Ω) | T |
| R6206 | 7030000340 | S.RESISTOR MCR10EZJH 470 Ω (471) | T |
| R6207 | 7030011130 | S.RESISTOR ERJ1TYJ 1R0U (1 Ω) | T |
| R6301 | 7030000260 | S.RESISTOR MCR10EZJH 100 Ω (101) | T |
| R6302 | 7030003480 | S.RESISTOR ERJ3GEYJ 222 V (2.2 kΩ) | T |
| R6303 | 7030003450 | S.RESISTOR ERJ3GEYJ 122 V (1.2 kΩ) | T |
| R6304 | 7310004730 | TRIMMER EVM-2AGA00 B33 (302) | T |
| R6401 | 7030010260 | S.RESISTOR ERJ1TYJ 3R3 U | T |
| R6402 | 7030010260 | S.RESISTOR ERJ1TYJ 3R3 U | T |
| R6403 | 7030010260 | S.RESISTOR ERJ1TYJ 3R3 U | T |
| R6404 | 7030010260 | S.RESISTOR ERJ1TYJ 3R3 U | T |
| R6405 | 7030010260 | S.RESISTOR ERJ1TYJ 3R3 U | T |

S.=Surface mount

[PA UNIT]

| REF NO. | ORDER NO. | DESCRIPTION | M. |
|---------|------------|---|----|
| R6406 | 7030010260 | S.RESISTOR ERJ1TYJ 3R3 U | T |
| R6407 | 7030001010 | S.RESISTOR MCR50JZHJ 10 Ω (100) | T |
| R6408 | 7030001010 | S.RESISTOR MCR50JZHJ 10 Ω (100) | T |
| R6409 | 7070001180 | RESISTOR ERX2SJ 2R7 (2.7 Ω) | T |
| R6410 | 7070001180 | RESISTOR ERX2SJ 2R7 (2.7 Ω) | T |
| R6411 | 7070000521 | RESISTOR ERX3SJ 2R7 (2.7 Ω) | T |
| R6412 | 7310004710 | TRIMMER EVM-2AGA00 B23 (202) | T |
| R6413 | 7030000300 | S.RESISTOR MCR10EZHZ 220 Ω (221) | T |
| R6415 | 7070001030 | RESISTOR ERG5SJ 470 | T |
| R6502 | 7030005981 | S.RESISTOR ERA3YED 333V | T |
| R6503 | 7030005981 | S.RESISTOR ERA3YED 333V | T |
| R6504 | 7030005971 | S.RESISTOR ERA3YKD 683V (68 kΩ) | T |
| R6505 | 7030005971 | S.RESISTOR ERA3YKD 683V (68 kΩ) | T |
| R6507 | 7030003840 | S.RESISTOR ERJ3GEYJ 225 V (2.2 MΩ) | T |
| R6509 | 7030003420 | S.RESISTOR ERJ3GEYJ 681 V (680 Ω) | T |
| R6510 | 7030003440 | S.RESISTOR ERJ3GEYJ 102 V (1 kΩ) | T |
| R6512 | 7030003680 | S.RESISTOR ERJ3GEYJ 104 V (100 kΩ) | T |
| R6513 | 7030003740 | S.RESISTOR ERJ3GEYJ 334 V (330 kΩ) | T |
| R6514 | 7030003680 | S.RESISTOR ERJ3GEYJ 104 V (100 kΩ) | T |
| R6515 | 7030003520 | S.RESISTOR ERJ3GEYJ 472 V (4.7 kΩ) | T |
| R6516 | 7310004680 | TRIMMER EVM-2AGA00 B14 (103) | T |
| R6517 | 7030003440 | S.RESISTOR ERJ3GEYJ 102 V (1 kΩ) | T |
| R6518 | 7030003680 | S.RESISTOR ERJ3GEYJ 104 V (100 kΩ) | T |
| R6519 | 7030003440 | S.RESISTOR ERJ3GEYJ 102 V (1 kΩ) | T |
| R6602 | 7030003520 | S.RESISTOR ERJ3GEYJ 472 V (4.7 kΩ) | T |
| R6603 | 7030003520 | S.RESISTOR ERJ3GEYJ 472 V (4.7 kΩ) | T |
| R6604 | 7030003560 | S.RESISTOR ERJ3GEYJ 103 V (10 kΩ) | T |
| R6651 | 7100000810 | S.RESISTOR ERX5WQK 12MH | T |
| R6652 | 7100000810 | S.RESISTOR ERX5WQK 12MH | T |
| R6701 | 7030010540 | S.RESISTOR ERJ1TYJ 330U (33 Ω) | T |
| R6702 | 7030003420 | S.RESISTOR ERJ3GEYJ 681 V (680 Ω) | T |
| R6704 | 7030003400 | S.RESISTOR ERJ3GEYJ 471 V (470 Ω) | T |
| R6705 | 7510001550 | S.THERMISTOR NTCG16 4LH 333KT | T |
| R6706 | 7030010540 | S.RESISTOR ERJ1TYJ 330U (33 Ω) | T |
| R6707 | 7030010540 | S.RESISTOR ERJ1TYJ 330U (33 Ω) | T |
| R6801 | 7030003370 | S.RESISTOR ERJ3GEYJ 271 V (270 Ω) | T |
| R6802 | 7030004050 | S.RESISTOR ERJ3GEYJ 1R0 V (1 Ω) | T |
| C6101 | 4030007120 | S.CERAMIC C1608 CH 1H 820J-T | T |
| C6102 | 4030007120 | S.CERAMIC C1608 CH 1H 820J-T | T |
| C6103 | 4030011600 | S.CERAMIC C1608 JB 1E 104K-T | T |
| C6104 | 4030011600 | S.CERAMIC C1608 JB 1E 104K-T | T |
| C6105 | 4030011600 | S.CERAMIC C1608 JB 1E 104K-T | T |
| C6106 | 4030011600 | S.CERAMIC C1608 JB 1E 104K-T | T |
| C6108 | 4030011600 | S.CERAMIC C1608 JB 1E 104K-T | T |
| C6109 | 4030005110 | S.CERAMIC C2012 JB 1E 473K-T | T |
| C6201 | 4030011600 | S.CERAMIC C1608 JB 1E 104K-T | T |
| C6202 | 4030011600 | S.CERAMIC C1608 JB 1E 104K-T | T |
| C6203 | 4030004750 | S.CERAMIC C2012 JB 1H 103K-T | T |
| C6205 | 4030008700 | S.CERAMIC GRM21B11H473KA01L (GRM40 B) | T |
| C6206 | 4030008700 | S.CERAMIC GRM21B11H473KA01L (GRM40 B) | T |
| C6207 | 4030008930 | S.CERAMIC C2012 JB 1C 563K-T | T |
| C6301 | 4030008960 | S.CERAMIC C2012 JB 1C 104K-T | T |
| C6302 | 4030011600 | S.CERAMIC C1608 JB 1E 104K-T | T |
| C6303 | 4510004590 | ELECTROLYTIC 16 MV 470 HC | T |
| C6305 | 4030011600 | S.CERAMIC C1608 JB 1E 104K-T | T |
| C6306 | 4510004600 | ELECTROLYTIC 16 MV 1000 HC | T |
| C6307 | 4320000811 | DIP MICA KD20C 681J5A | T |
| C6308 | 4030011790 | S.CERAMIC GRM55RF52A684ZD01L (GRM44-1) | T |
| C6401 | 4030011760 | S.CERAMIC GRM55R1X2D682JV01L (GRM44-1) | T |
| C6403 | 4030011760 | S.CERAMIC GRM55R1X2D682JV01L (GRM44-1) | T |
| C6409 | 4030018370 | S.CERAMIC ERF22X 6C1H 102J D01L | T |
| C6412 | 4510004600 | ELECTROLYTIC 16 MV 1000 HC | T |
| C6413 | 4510004600 | ELECTROLYTIC 16 MV 1000 HC | T |
| C6414 | 4030004740 | S.CERAMIC C2012 JB 1H 472K-T | T |
| C6415 | 4030011790 | S.CERAMIC GRM55RF52A684ZD01L (GRM44-1) | T |
| C6416 | 4030008920 | S.CERAMIC C1608 JB 1H 473K-T | T |
| C6417 | 4510004600 | ELECTROLYTIC 16 MV 1000 HC | T |
| C6418 | 4030006880 | S.CERAMIC C1608 JB 1H 472K-T | T |
| C6419 | 4030006880 | S.CERAMIC C1608 JB 1H 472K-T | T |
| C6424 | 4030017200 | S.CERAMIC GRM31BR32J102KY01L (GHM1030 R) | T |
| C6425 | 4320000710 | DIP MICA DM19C681J5 | T |
| C6427 | 4030011600 | S.CERAMIC C1608 JB 1E 104K-T | T |
| C6428 | 4030011600 | S.CERAMIC C1608 JB 1E 104K-T | T |
| C6429 | 4030017200 | S.CERAMIC GRM31BR32J102KY01L (GHM1030 R) | T |
| C6432 | 4030011740 | S.CERAMIC GRM32N2C2H201JV01L (GRM42-2 CH) | T |
| C6433 | 4030011740 | S.CERAMIC GRM32N2C2H201JV01L (GRM42-2 CH) | T |
| C6436 | 4010006410 | CERAMIC HM13SJ SL 471J 500V | T |
| C6437 | 4320000790 | DIP MICA DM20C102J5 | T |
| C6439 | 4010005930 | CERAMIC HM11SJ SL 391J 500V | T |
| C6501 | 4030007130 | S.CERAMIC C1608 CH 1H 101J-T | T |
| C6503 | 4030011600 | S.CERAMIC C1608 JB 1E 104K-T | T |
| C6506 | 4030011600 | S.CERAMIC C1608 JB 1E 104K-T | T |
| C6507 | 4510004590 | ELECTROLYTIC 16 MV 470 HC | T |
| C6602 | 4030006880 | S.CERAMIC C1608 JB 1H 472K-T | T |
| C6603 | 4510004590 | ELECTROLYTIC 16 MV 470 HC | T |
| C6604 | 4510006230 | S.ELECTROLYTIC ECEV1EA470UP | T |

M.=Mounted side (T: Mounted on the Top side, B: Mounted on the Bottom side)

[PA UNIT]

| REF NO. | ORDER NO. | DESCRIPTION | M. |
|---------|------------|--|----|
| C6605 | 4030011600 | S.CERAMIC C1608 JB 1E 104K-T | T |
| C6606 | 4030011600 | S.CERAMIC C1608 JB 1E 104K-T | T |
| C6607 | 4510006230 | S.ELECTROLYTIC ECEV1EA470UP | T |
| C6608 | 4030008700 | S.CERAMIC GRM21B11H473KA01L (GRM40 B) | T |
| C6609 | 4510006020 | ELECTROLYTIC 16 MV 2200 HC | T |
| C6610 | 4030017320 | S.CERAMIC GRM21BB11H104KA11L (GRM40-034) | T |
| C6611 | 4030004740 | S.CERAMIC C2012 JB 1H 472K-T | T |
| C6612 | 4030004720 | S.CERAMIC C2012 JB 1H 102K-T | T |
| C6701 | 4030008920 | S.CERAMIC C1608 JB 1H 473K-T | T |
| C6702 | 4030008920 | S.CERAMIC C1608 JB 1H 473K-T | T |
| C6703 | 4030008920 | S.CERAMIC C1608 JB 1H 473K-T | T |
| C6704 | 4030006880 | S.CERAMIC C1608 JB 1H 472K-T | T |
| C6705 | 4030006880 | S.CERAMIC C1608 JB 1H 472K-T | T |
| C6706 | 4030006880 | S.CERAMIC C1608 JB 1H 472K-T | T |
| C6707 | 4030006880 | S.CERAMIC C1608 JB 1H 472K-T | T |
| C6708 | 4030006880 | S.CERAMIC C1608 JB 1H 472K-T | T |
| C6709 | 4030006880 | S.CERAMIC C1608 JB 1H 472K-T | T |
| C6710 | 4030006880 | S.CERAMIC C1608 JB 1H 472K-T | T |
| C6711 | 4030006880 | S.CERAMIC C1608 JB 1H 472K-T | T |
| C6712 | 4030006880 | S.CERAMIC C1608 JB 1H 472K-T | T |
| C6713 | 4030006880 | S.CERAMIC C1608 JB 1H 472K-T | T |
| C6714 | 4030006880 | S.CERAMIC C1608 JB 1H 472K-T | T |
| C6715 | 4030008920 | S.CERAMIC C1608 JB 1H 473K-T | T |
| C6716 | 4030011600 | S.CERAMIC C1608 JB 1E 104K-T | T |
| C6717 | 4030011600 | S.CERAMIC C1608 JB 1E 104K-T | T |
| C6801 | 4030011600 | S.CERAMIC C1608 JB 1E 104K-T | T |
| RL6701 | 6330001550 | RELAY JV-12-KT | T |
| J6301 | 6510021530 | CONNECTOR IMSA-9230B-1-04Z024-T | T |
| J6302 | 6510021530 | CONNECTOR IMSA-9230B-1-04Z024-T | T |
| J6401 | 6510007020 | CONNECTOR TMP-J01X-V6 | T |
| J6411 | 6510021390 | CONNECTOR IMSA-9230B-1-03Z024-T | T |
| J6412 | 6510021390 | CONNECTOR IMSA-9230B-1-03Z024-T | T |
| J6501 | 6510018960 | S.CONNECTOR B2B-PH-SM3-TB | T |
| J6701 | 6510021720 | S.CONNECTOR 30FLT-SM1-TB | T |
| J6702 | 6510007020 | CONNECTOR TMP-J01X-V6 | T |
| J6703 | 6510003460 | CONNECTOR B10B-EH-S | T |
| F6701 | 5210000060 | FUSE FGB 5A (FGB0 125V) | T |
| F6702 | 5220000230 | HOLDER S-N5054 #01 | T |
| F6703 | 5220000230 | HOLDER S-N5054 #01 | T |
| W6601 | 9040401015 | WIRE 74/98/045/X98/X98 | T |
| EP6601 | 6910000630 | BEAD FSRH070140RN000B (FSOH070RN) | T |
| EP6602 | 6510018330 | TERMINAL F4053A | T |
| EP6603 | 6510018330 | TERMINAL F4053A | T |
| EP6604 | 0910057223 | PCB B 6070C | T |
| EP6605 | 6910016010 | TUBE SUMI TUBE | T |

[DSP UNIT]

| REF NO. | ORDER NO. | DESCRIPTION | M. |
|---------|------------|-------------------------|----|
| IC9001 | 1130010540 | S.IC SN74AHC74PWR | T |
| IC9003 | 1130010540 | S.IC SN74AHC74PWR | B |
| IC9004 | 1130010540 | S.IC SN74AHC74PWR | B |
| IC9005 | 1130011150 | S.IC SN74AHC2G08HDCTR | T |
| IC9015 | 1130011840 | S.IC TC7SZU04FU (TE85L) | T |
| IC9051 | 1130011850 | S.IC TC7WZU04FU (TE12L) | T |
| IC9101 | 1130010520 | S.IC SN74AHC244APWR | T |
| IC9102 | 1110004770 | S.IC BU9480F-E2 | B |
| IC9152 | 1180002320 | S.REG TK11218CMCL | T |
| IC9161 | 1180002020 | S.REG BA033FP-E2 | B |
| IC9171 | 1180002270 | S.REG TK11250CMCL | T |
| IC9201 | 1130010680 | S.IC M29W102BB-70N1 | B |
| IC9202 | 1130008040 | S.IC TC7SH04FU | B |
| IC9203 | 1130008810 | S.IC TC7SH32FU (TE85L) | B |
| IC9301 | 1140010330 | S.IC TMS320VC33PGEA120 | T |
| IC9401 | 1130010550 | S.IC SN74AHC595PWR | T |
| IC9403 | 1130010530 | S.IC SN74AHC374PWR | B |
| IC9404 | 1130010530 | S.IC SN74AHC374PWR | B |
| IC9405 | 1130004670 | S.IC BU4021BF-T1 | B |
| IC9406 | 1130010540 | S.IC SN74AHC74PWR | T |
| IC9501 | 1190001610 | S.IC AK4528-VF-E2 | T |
| IC9651 | 1110005420 | S.IC BA15532F-E2 | B |

S.=Surface mount

[DSP BOARD]

| REF NO. | ORDER NO. | DESCRIPTION | M. |
|---------|------------|--|----|
| IC9701 | 1110001900 | S.IC μPC4570G2-T1 | B |
| IC9801 | 1130010560 | S.IC SN74AHC244PWR | B |
| Q9021 | 1530002060 | S.TRANSISTOR 2SC4081 T106 R | B |
| Q9201 | 1590001660 | S.TRANSISTOR XP4312 (TX) | B |
| Q9301 | 1590000430 | S.TRANSISTOR DTC144EUA T106 | T |
| Q9302 | 1590000430 | S.TRANSISTOR DTC144EUA T106 | T |
| D9301 | 1750000370 | S.DIODE DA221 TL | T |
| D9302 | 1750000370 | S.DIODE DA221 TL | T |
| D9303 | 1750000370 | S.DIODE DA221 TL | T |
| D9304 | 1750000370 | S.DIODE DA221 TL | B |
| D9305 | 1790000810 | S.DIODE MA132A (TX) | T |
| D9501 | 1750000370 | S.DIODE DA221 TL | B |
| D9901 | 1790000660 | S.DIODE MA728 (TX) | T |
| X9051 | 6050011270 | S.XTAL CR-709 (60.000 MHz) | T |
| L9001 | 6200003280 | S.COIL NL 252018T-2R2J | T |
| L9002 | 6200003280 | S.COIL NL 252018T-2R2J | B |
| L9003 | 6200003280 | S.COIL NL 252018T-2R2J | B |
| L9005 | 6200003280 | S.COIL NL 252018T-2R2J | T |
| L9015 | 6200003280 | S.COIL NL 252018T-2R2J | T |
| L9051 | 6200003280 | S.COIL NL 252018T-2R2J | T |
| L9052 | 6200001980 | S.COIL NL 252018T-1R0J | T |
| L9101 | 6200003280 | S.COIL NL 252018T-2R2J | T |
| L9102 | 6200003280 | S.COIL NL 252018T-2R2J | T |
| L9301 | 6200003280 | S.COIL NL 252018T-2R2J | B |
| L9302 | 6200009840 | S.COIL LQH32CN2R2M21L (LQH 3C 2R2M 34) | B |
| L9401 | 6200003280 | S.COIL NL 252018T-2R2J | T |
| L9403 | 6200003280 | S.COIL NL 252018T-2R2J | B |
| L9404 | 6200003280 | S.COIL NL 252018T-2R2J | B |
| L9405 | 6200003280 | S.COIL NL 252018T-2R2J | B |
| L9406 | 6200003280 | S.COIL NL 252018T-2R2J | T |
| L9501 | 6200003280 | S.COIL NL 252018T-2R2J | T |
| L9502 | 6200003280 | S.COIL NL 252018T-2R2J | T |
| L9651 | 6200002040 | S.COIL NL 252018T-101J | T |
| L9701 | 6200002040 | S.COIL NL 252018T-101J | T |
| L9801 | 6200003280 | S.COIL NL 252018T-2R2J | B |
| R9001 | 7030008240 | S.RESISTOR ERJ12YJ0R00U | B |
| R9002 | 7030003320 | S.RESISTOR ERJ3GEYJ 101 V (100 Ω) | T |
| R9003 | 7030003320 | S.RESISTOR ERJ3GEYJ 101 V (100 Ω) | B |
| R9015 | 7030003800 | S.RESISTOR ERJ3GEYJ 105 V (1 MΩ) | T |
| R9016 | 7030003860 | S.RESISTOR ERJ3GE JPW V | T |
| R9021 | 7030003320 | S.RESISTOR ERJ3GEYJ 101 V (100 Ω) | T |
| R9022 | 7030003760 | S.RESISTOR ERJ3GEYJ 474 V (470 kΩ) | B |
| R9023 | 7030003440 | S.RESISTOR ERJ3GEYJ 102 V (1 kΩ) | B |
| R9051 | 7030003800 | S.RESISTOR ERJ3GEYJ 105 V (1 MΩ) | T |
| R9052 | 7030003320 | S.RESISTOR ERJ3GEYJ 101 V (100 Ω) | T |
| R9151 | 7030007240 | S.RESISTOR ERJ12YJ680U (68 Ω) | T |
| R9161 | 7030008190 | S.RESISTOR ERJ12YJ330U (33 Ω) | T |
| R9162 | 7030007510 | S.RESISTOR ERJ12YJ270U (27 Ω) | T |
| R9171 | 7030007180 | S.RESISTOR ERJ12YJ150U (15 Ω) | T |
| R9201 | 7030003640 | S.RESISTOR ERJ3GEYJ 473 V (47 kΩ) | B |
| R9202 | 7030003860 | S.RESISTOR ERJ3GE JPW V | B |
| R9203 | 7030003860 | S.RESISTOR ERJ3GE JPW V | B |
| R9204 | 7030003860 | S.RESISTOR ERJ3GE JPW V | B |
| R9303 | 7030003480 | S.RESISTOR ERJ3GEYJ 222 V (2.2 kΩ) | B |
| R9304 | 7030003480 | S.RESISTOR ERJ3GEYJ 222 V (2.2 kΩ) | B |
| R9305 | 7030003560 | S.RESISTOR ERJ3GEYJ 103 V (10 kΩ) | B |
| R9306 | 7030003560 | S.RESISTOR ERJ3GEYJ 103 V (10 kΩ) | B |
| R9307 | 7030003560 | S.RESISTOR ERJ3GEYJ 103 V (10 kΩ) | B |
| R9308 | 7030003560 | S.RESISTOR ERJ3GEYJ 103 V (10 kΩ) | B |
| R9309 | 7030003560 | S.RESISTOR ERJ3GEYJ 103 V (10 kΩ) | B |
| R9310 | 7030003560 | S.RESISTOR ERJ3GEYJ 103 V (10 kΩ) | B |
| R9311 | 7030003560 | S.RESISTOR ERJ3GEYJ 103 V (10 kΩ) | B |
| R9312 | 7030003560 | S.RESISTOR ERJ3GEYJ 103 V (10 kΩ) | B |
| R9313 | 7030003560 | S.RESISTOR ERJ3GEYJ 103 V (10 kΩ) | B |
| R9315 | 7030003860 | S.RESISTOR ERJ3GE JPW V | B |
| R9317 | 7030003560 | S.RESISTOR ERJ3GEYJ 103 V (10 kΩ) | T |
| R9318 | 7030003560 | S.RESISTOR ERJ3GEYJ 103 V (10 kΩ) | T |
| R9320 | 7030003520 | S.RESISTOR ERJ3GEYJ 472 V (4.7 kΩ) | B |
| R9321 | 7030003520 | S.RESISTOR ERJ3GEYJ 472 V (4.7 kΩ) | B |
| R9322 | 7030003280 | S.RESISTOR ERJ3GEYJ 470 V (47 Ω) | B |
| R9323 | 7030003560 | S.RESISTOR ERJ3GEYJ 103 V (10 kΩ) | B |
| R9324 | 7030003560 | S.RESISTOR ERJ3GEYJ 103 V (10 kΩ) | B |
| R9325 | 7030003560 | S.RESISTOR ERJ3GEYJ 103 V (10 kΩ) | T |
| R9326 | 7030003560 | S.RESISTOR ERJ3GEYJ 103 V (10 kΩ) | T |
| R9327 | 7030003560 | S.RESISTOR ERJ3GEYJ 103 V (10 kΩ) | T |
| R9328 | 7030003560 | S.RESISTOR ERJ3GEYJ 103 V (10 kΩ) | T |
| R9329 | 7030003440 | S.RESISTOR ERJ3GEYJ 102 V (1 kΩ) | B |
| R9330 | 7030003440 | S.RESISTOR ERJ3GEYJ 102 V (1 kΩ) | B |

M.=Mounted side (T: Mounted on the Top side, B: Mounted on the Bottom side)

[DSP BOARD]

| REF NO. | ORDER NO. | DESCRIPTION | M. |
|---------|------------|------------------------------------|----|
| R9331 | 7030003440 | S.RESISTOR ERJ3GEYJ 102 V (1 kΩ) | B |
| R9332 | 7030003440 | S.RESISTOR ERJ3GEYJ 102 V (1 kΩ) | T |
| R9333 | 7030003860 | S.RESISTOR ERJ3GE JPW V | B |
| R9334 | 7030003860 | S.RESISTOR ERJ3GE JPW V | T |
| R9335 | 7030003860 | S.RESISTOR ERJ3GE JPW V | B |
| R9336 | 7030003860 | S.RESISTOR ERJ3GE JPW V | T |
| R9337 | 7030003860 | S.RESISTOR ERJ3GE JPW V | B |
| R9338 | 7030003860 | S.RESISTOR ERJ3GE JPW V | B |
| R9501 | 7030004040 | S.RESISTOR ERJ3GEYJ 4R7 V (4.7 Ω) | T |
| R9601 | 7030006581 | S.RESISTOR ERA3YED 122V | T |
| R9602 | 7030009591 | S.RESISTOR ERA3YED 472V | T |
| R9603 | 7030007230 | S.RESISTOR ERA3YED 102V | B |
| R9604 | 7030007230 | S.RESISTOR ERA3YED 102V | T |
| R9651 | 7030010450 | S.RESISTOR ERA3YED 391V | B |
| R9652 | 7030010450 | S.RESISTOR ERA3YED 391V | B |
| R9653 | 7030007230 | S.RESISTOR ERA3YED 102V | B |
| R9654 | 7030007230 | S.RESISTOR ERA3YED 102V | B |
| R9655 | 7030009591 | S.RESISTOR ERA3YED 472V | B |
| R9656 | 7030009591 | S.RESISTOR ERA3YED 472V | T |
| R9657 | 7030009591 | S.RESISTOR ERA3YED 472V | B |
| R9658 | 7030009591 | S.RESISTOR ERA3YED 472V | B |
| R9659 | 7030005331 | S.RESISTOR ERA3YED 562V | B |
| R9701 | 7030003520 | S.RESISTOR ERJ3GEYJ 472 V (4.7 kΩ) | B |
| R9702 | 7030003520 | S.RESISTOR ERJ3GEYJ 472 V (4.7 kΩ) | B |
| R9703 | 7030003500 | S.RESISTOR ERJ3GEYJ 332 V (3.3 kΩ) | B |
| R9704 | 7030003540 | S.RESISTOR ERJ3GEYJ 682 V (6.8 kΩ) | B |
| R9705 | 7030003500 | S.RESISTOR ERJ3GEYJ 332 V (3.3 kΩ) | B |
| R9706 | 7030003540 | S.RESISTOR ERJ3GEYJ 682 V (6.8 kΩ) | B |
| R9707 | 7030003440 | S.RESISTOR ERJ3GEYJ 102 V (1 kΩ) | B |
| R9708 | 7030003440 | S.RESISTOR ERJ3GEYJ 102 V (1 kΩ) | T |
| R9751 | 7030003520 | S.RESISTOR ERJ3GEYJ 472 V (4.7 kΩ) | T |
| R9752 | 7030003520 | S.RESISTOR ERJ3GEYJ 472 V (4.7 kΩ) | T |
| R9753 | 7030003500 | S.RESISTOR ERJ3GEYJ 332 V (3.3 kΩ) | B |
| R9754 | 7030003540 | S.RESISTOR ERJ3GEYJ 682 V (6.8 kΩ) | B |
| R9755 | 7030003500 | S.RESISTOR ERJ3GEYJ 332 V (3.3 kΩ) | B |
| R9756 | 7030003540 | S.RESISTOR ERJ3GEYJ 682 V (6.8 kΩ) | B |
| R9757 | 7030003440 | S.RESISTOR ERJ3GEYJ 102 V (1 kΩ) | B |
| R9758 | 7030003440 | S.RESISTOR ERJ3GEYJ 102 V (1 kΩ) | B |
| R9801 | 7030003680 | S.RESISTOR ERJ3GEYJ 104 V (100 kΩ) | T |
| R9802 | 7030003680 | S.RESISTOR ERJ3GEYJ 104 V (100 kΩ) | T |
| R9803 | 7030003680 | S.RESISTOR ERJ3GEYJ 104 V (100 kΩ) | B |
| R9804 | 7030003680 | S.RESISTOR ERJ3GEYJ 104 V (100 kΩ) | B |
| R9805 | 7030003680 | S.RESISTOR ERJ3GEYJ 104 V (100 kΩ) | T |
| R9901 | 7030003560 | S.RESISTOR ERJ3GEYJ 103 V (10 kΩ) | T |
| R9902 | 7030003560 | S.RESISTOR ERJ3GEYJ 103 V (10 kΩ) | T |
| R9903 | 7030003560 | S.RESISTOR ERJ3GEYJ 103 V (10 kΩ) | T |
| R9904 | 7030003560 | S.RESISTOR ERJ3GEYJ 103 V (10 kΩ) | T |
| R9905 | 7030003560 | S.RESISTOR ERJ3GEYJ 103 V (10 kΩ) | T |
| R9906 | 7030003560 | S.RESISTOR ERJ3GEYJ 103 V (10 kΩ) | T |
| R9907 | 7030003860 | S.RESISTOR ERJ3GE JPW V | T |
| R9908 | 7030008240 | S.RESISTOR ERJ12YJ0R00U | T |
| C9001 | 4030006880 | S.CERAMIC C1608 JB 1H 472K-T | T |
| C9004 | 4030006880 | S.CERAMIC C1608 JB 1H 472K-T | B |
| C9005 | 4030006880 | S.CERAMIC C1608 JB 1H 472K-T | T |
| C9007 | 4030011600 | S.CERAMIC C1608 JB 1E 104K-T | B |
| C9015 | 4030006880 | S.CERAMIC C1608 JB 1H 472K-T | T |
| C9016 | 4030006880 | S.CERAMIC C1608 JB 1H 472K-T | T |
| C9021 | 4030006880 | S.CERAMIC C1608 JB 1H 472K-T | B |
| C9022 | 4030006880 | S.CERAMIC C1608 JB 1H 472K-T | T |
| C9051 | 4030006880 | S.CERAMIC C1608 JB 1H 472K-T | T |
| C9052 | 4030006960 | S.CERAMIC C1608 CH 1H 050C-T | T |
| C9053 | 4030006960 | S.CERAMIC C1608 CH 1H 050C-T | T |
| C9054 | 4030007110 | S.CERAMIC C1608 CH 1H 680J-T | T |
| C9101 | 4030011600 | S.CERAMIC C1608 JB 1E 104K-T | T |
| C9102 | 4510004630 | S.ELECTROLYTIC ECEV1CA100SR | T |
| C9103 | 4030011600 | S.CERAMIC C1608 JB 1E 104K-T | B |
| C9104 | 4510004630 | S.ELECTROLYTIC ECEV1CA100SR | T |
| C9154 | 4030011600 | S.CERAMIC C1608 JB 1E 104K-T | T |
| C9155 | 4030011600 | S.CERAMIC C1608 JB 1E 104K-T | T |
| C9156 | 4030011600 | S.CERAMIC C1608 JB 1E 104K-T | T |
| C9157 | 4510004630 | S.ELECTROLYTIC ECEV1CA100SR | T |
| C9158 | 4550006210 | S.TANTALUM ECST1CX106R | T |
| C9161 | 4550006620 | S.TANTALUM ECST0YJ226R | T |
| C9162 | 4030011600 | S.CERAMIC C1608 JB 1E 104K-T | B |
| C9163 | 4030011600 | S.CERAMIC C1608 JB 1E 104K-T | B |
| C9164 | 4510004630 | S.ELECTROLYTIC ECEV1CA100SR | T |
| C9171 | 4030011600 | S.CERAMIC C1608 JB 1E 104K-T | T |
| C9172 | 4030011600 | S.CERAMIC C1608 JB 1E 104K-T | T |
| C9173 | 4030011600 | S.CERAMIC C1608 JB 1E 104K-T | T |
| C9174 | 4510004630 | S.ELECTROLYTIC ECEV1CA100SR | T |
| C9175 | 4510004630 | S.ELECTROLYTIC ECEV1CA100SR | T |
| C9201 | 4030011600 | S.CERAMIC C1608 JB 1E 104K-T | B |
| C9202 | 4030011600 | S.CERAMIC C1608 JB 1E 104K-T | B |
| C9203 | 4030011600 | S.CERAMIC C1608 JB 1E 104K-T | B |
| C9301 | 4030006880 | S.CERAMIC C1608 JB 1H 472K-T | T |
| C9302 | 4030006880 | S.CERAMIC C1608 JB 1H 472K-T | T |

S.=Surface mount

[DSP BOARD]

| REF NO. | ORDER NO. | DESCRIPTION | | M. |
|---------|------------|----------------|--------------------|----|
| C9303 | 4030011600 | S.CERAMIC | C1608 JB 1E 104K-T | T |
| C9304 | 4030006880 | S.CERAMIC | C1608 JB 1H 472K-T | T |
| C9305 | 4030011600 | S.CERAMIC | C1608 JB 1E 104K-T | T |
| C9306 | 4030011600 | S.CERAMIC | C1608 JB 1E 104K-T | T |
| C9307 | 4030011600 | S.CERAMIC | C1608 JB 1E 104K-T | T |
| C9308 | 4030011600 | S.CERAMIC | C1608 JB 1E 104K-T | T |
| C9309 | 4030006880 | S.CERAMIC | C1608 JB 1H 472K-T | T |
| C9311 | 4030006880 | S.CERAMIC | C1608 JB 1H 472K-T | T |
| C9312 | 4030011600 | S.CERAMIC | C1608 JB 1E 104K-T | T |
| C9313 | 4030011600 | S.CERAMIC | C1608 JB 1E 104K-T | T |
| C9314 | 4030006880 | S.CERAMIC | C1608 JB 1H 472K-T | T |
| C9315 | 4030011600 | S.CERAMIC | C1608 JB 1E 104K-T | T |
| C9316 | 4030006880 | S.CERAMIC | C1608 JB 1H 472K-T | T |
| C9317 | 4030011600 | S.CERAMIC | C1608 JB 1E 104K-T | T |
| C9318 | 4030006880 | S.CERAMIC | C1608 JB 1H 472K-T | T |
| C9319 | 4030006880 | S.CERAMIC | C1608 JB 1H 472K-T | T |
| C9320 | 4030011600 | S.CERAMIC | C1608 JB 1E 104K-T | T |
| C9321 | 4030011600 | S.CERAMIC | C1608 JB 1E 104K-T | T |
| C9322 | 4030006880 | S.CERAMIC | C1608 JB 1H 472K-T | T |
| C9323 | 4030011600 | S.CERAMIC | C1608 JB 1E 104K-T | T |
| C9324 | 4030006880 | S.CERAMIC | C1608 JB 1H 472K-T | T |
| C9325 | 4030006880 | S.CERAMIC | C1608 JB 1H 472K-T | T |
| C9401 | 4030006880 | S.CERAMIC | C1608 JB 1H 472K-T | T |
| C9403 | 4030006880 | S.CERAMIC | C1608 JB 1H 472K-T | B |
| C9404 | 4030006880 | S.CERAMIC | C1608 JB 1H 472K-T | B |
| C9405 | 4030006880 | S.CERAMIC | C1608 JB 1H 472K-T | B |
| C9406 | 4030006880 | S.CERAMIC | C1608 JB 1H 472K-T | T |
| C9407 | 4030006860 | S.CERAMIC | C1608 JB 1H 102K-T | B |
| C9408 | 4030006860 | S.CERAMIC | C1608 JB 1H 102K-T | B |
| C9504 | 4510005860 | S.ELECTROLYTIC | ECEV1HA2R2SR | T |
| C9505 | 4030011600 | S.CERAMIC | C1608 JB 1E 104K-T | T |
| C9506 | 4550006620 | S.TANTALUM | ECST0JY226R | T |
| C9507 | 4030011600 | S.CERAMIC | C1608 JB 1E 104K-T | T |
| C9508 | 4030011600 | S.CERAMIC | C1608 JB 1E 104K-T | T |
| C9509 | 4030011600 | S.CERAMIC | C1608 JB 1E 104K-T | T |
| C9510 | 4550006620 | S.TANTALUM | ECST0JY226R | T |
| C9511 | 4030007050 | S.CERAMIC | C1608 CH 1H 220J-T | B |
| C9601 | 4510004630 | S.ELECTROLYTIC | ECEV1CA100SR | T |
| C9602 | 4030009980 | S.CERAMIC | C1608 JB 1H 152K-T | B |
| C9604 | 4510004630 | S.ELECTROLYTIC | ECEV1CA100SR | T |
| C9605 | 4030011600 | S.CERAMIC | C1608 JB 1E 104K-T | B |
| C9651 | 4030009980 | S.CERAMIC | C1608 JB 1H 152K-T | B |
| C9652 | 4030011600 | S.CERAMIC | C1608 JB 1E 104K-T | B |
| C9653 | 4510004630 | S.ELECTROLYTIC | ECEV1CA100SR | T |
| C9654 | 4030011600 | S.CERAMIC | C1608 JB 1E 104K-T | B |
| C9655 | 4510005830 | S.ELECTROLYTIC | ECEV1HAN010R | T |
| C9701 | 4030011280 | S.CERAMIC | C1608 CH 1H 271J-T | B |
| C9702 | 4030007130 | S.CERAMIC | C1608 CH 1H 101J-T | B |
| C9703 | 4030011600 | S.CERAMIC | C1608 JB 1E 104K-T | B |
| C9704 | 4510004630 | S.ELECTROLYTIC | ECEV1CA100SR | T |
| C9705 | 4030007130 | S.CERAMIC | C1608 CH 1H 101J-T | B |
| C9706 | 4030011600 | S.CERAMIC | C1608 JB 1E 104K-T | B |
| C9707 | 4510006220 | S.ELECTROLYTIC | ECEV1CA101UP | T |
| C9708 | 4510004630 | S.ELECTROLYTIC | ECEV1CA100SR | T |
| C9751 | 4030011280 | S.CERAMIC | C1608 CH 1H 271J-T | T |
| C9752 | 4030007130 | S.CERAMIC | C1608 CH 1H 101J-T | B |
| C9755 | 4030007130 | S.CERAMIC | C1608 CH 1H 101J-T | B |
| C9756 | 4030011600 | S.CERAMIC | C1608 JB 1E 104K-T | B |
| C9757 | 4510006220 | S.ELECTROLYTIC | ECEV1CA101UP | T |
| C9758 | 4510004630 | S.ELECTROLYTIC | ECEV1CA100SR | T |
| C9801 | 4030006880 | S.CERAMIC | C1608 JB 1H 472K-T | B |
| C9802 | 4030006860 | S.CERAMIC | C1608 JB 1H 102K-T | T |
| C9901 | 4030006860 | S.CERAMIC | C1608 JB 1H 102K-T | B |
| J9901 | 6910013900 | CONNECTOR | IMSA-9180S-22A | B |
| J9902 | 6910012460 | CONNECTOR | IMSA-9180S-30A | B |
| EP9101 | 0910057252 | PCB | B 6027B | |

M.=Mounted side (T: Mounted on the Top side, B: Mounted on the Bottom side)

[DRIVER BOARD]

| REF NO. | ORDER NO. | DESCRIPTION | | M. |
|---------|------------|-------------|---------------------|----|
| Q6851 | 1590003060 | S.FET | PD55015 | T |
| R6851 | 7030010440 | S.RESISTOR | ERJ1TYJ 680U (68 Ω) | T |
| R6852 | 7030000020 | S.RESISTOR | MCR10EZJH 1 Ω (010) | T |
| C6851 | 4030004750 | S.CERAMIC | C2012 JB 1H 103K-T | T |
| EP6851 | 0910054751 | PCB | B 5744A | |

[VARISTOR-1 BOARD]

| REF NO. | ORDER NO. | DESCRIPTION | | M. |
|---------|------------|-------------|--------------------|----|
| D6431 | 1790001760 | S.VARISTOR | MA30-(TX) | T |
| C6431 | 4030008920 | S.CERAMIC | C1608 JB 1H 473K-T | T |
| EP6431 | 0910057231 | PCB | B 5746A | |

[VARISTOR-2 BOARD]

| REF NO. | ORDER NO. | DESCRIPTION | | M. |
|---------|------------|-------------|--------------------|----|
| D6432 | 1790001760 | S.VARISTOR | MA30-(TX) | T |
| C6432 | 4030008920 | S.CERAMIC | C1608 JB 1H 473K-T | T |
| EP6432 | 0910057241 | PCB | B 5747A | |

S.=Surface mount

6-2 RC-26

[FRONT UNIT]

| REF NO. | ORDER NO. | DESCRIPTION | M. |
|---------|------------|-------------------------------|----|
| W8001 | 8900009230 | CABLE OPC-908 (P=1 N=10 L=60) | |
| W8002 | 8900012650 | CABLE OPC-1272 TYX4003-210100 | |
| W8005 | 8900008860 | CABLE OPC-875 (N:20 L:70) | |

[DISPLAY BOARD]

| REF NO. | ORDER NO. | DESCRIPTION | M. |
|---------|------------|------------------------------------|----|
| IC8201 | 1140011600 | S.IC HD64F2134AFA20 (EX-2621A) | B |
| IC8202 | 1110005770 | S.IC S-80942CNMC-G9C-T2 | B |
| IC8205 | 1130009700 | S.IC LC73872M-TRM | B |
| IC8250 | 1130005720 | S.IC TC7W04F (TE12L) | B |
| IC8280 | 1110005450 | S.IC TS522IDT | B |
| IC8290 | 1180001070 | S.IC TA7805F (TE16L) | B |
| IC8301 | 1110002510 | S.IC AN8009M-(E1) | B |
| IC8310 | 1180001540 | S.IC TA78L08F (TE12R) | B |
| Q8251 | 1590001650 | S.TRANSISTOR XP4601 (TX) | B |
| Q8281 | 1530002850 | S.TRANSISTOR 2SC4116-BL (TE85R) | B |
| Q8282 | 1590000680 | S.TRANSISTOR DTC114EUA T106 | B |
| Q8300 | 1540000440 | S.TRANSISTOR 2SD1619-T-TD | B |
| Q8301 | 1540000440 | S.TRANSISTOR 2SD1619-T-TD | B |
| Q8302 | 1590000680 | S.TRANSISTOR DTC114EUA T106 | B |
| Q8303 | 1540000440 | S.TRANSISTOR 2SD1619-T-TD | B |
| Q8311 | 1590001330 | S.TRANSISTOR DT114EUA T106 | B |
| Q8312 | 1590000680 | S.TRANSISTOR DTC114EUA T106 | B |
| Q8701 | 1590000680 | S.TRANSISTOR DTC114EUA T106 | B |
| D8201 | 1750000370 | S.DIODE DA221 TL | B |
| D8203 | 1750000370 | S.DIODE DA221 TL | B |
| D8204 | 1750000550 | S.DIODE 1SS355 TE-17 | B |
| D8221 | 1750000550 | S.DIODE 1SS355 TE-17 | B |
| D8250 | 1750000550 | S.DIODE 1SS355 TE-17 | B |
| D8280 | 1750000370 | S.DIODE DA221 TL | B |
| X8211 | 6050010501 | S.XTAL CR-636A (14.7456 MHz) | B |
| X8212 | 6060000760 | S.CERAMIC EFOP3584E5 | B |
| L8201 | 6200009300 | S.COIL ELJPA 100KF 10U | B |
| L8202 | 6200005010 | S.COIL NL 252018T-100J | B |
| L8203 | 6200005010 | S.COIL NL 252018T-100J | B |
| L8204 | 6200003950 | S.COIL HF50ACC 322513-T | B |
| L8205 | 6200003950 | S.COIL HF50ACC 322513-T | B |
| L8206 | 6200003950 | S.COIL HF50ACC 322513-T | B |
| L8286 | 6200003520 | S.COIL ELJFB 102K-F | B |
| L8290 | 6200003950 | S.COIL HF50ACC 322513-T | B |
| L8291 | 6150005170 | COIL ELELN 102KA | B |
| R8201 | 7030003640 | S.RESISTOR ERJ3GEYJ 473 V (47 kΩ) | B |
| R8202 | 7030003640 | S.RESISTOR ERJ3GEYJ 473 V (47 kΩ) | B |
| R8203 | 7030003640 | S.RESISTOR ERJ3GEYJ 473 V (47 kΩ) | B |
| R8204 | 7030003640 | S.RESISTOR ERJ3GEYJ 473 V (47 kΩ) | B |
| R8205 | 7030003560 | S.RESISTOR ERJ3GEYJ 103 V (10 kΩ) | B |
| R8206 | 7030003640 | S.RESISTOR ERJ3GEYJ 473 V (47 kΩ) | B |
| R8207 | 7030003640 | S.RESISTOR ERJ3GEYJ 473 V (47 kΩ) | B |
| R8208 | 7030003650 | S.RESISTOR ERJ3GEYJ 563 V (56 kΩ) | B |
| R8209 | 7030003680 | S.RESISTOR ERJ3GEYJ 104 V (100 kΩ) | B |
| R8210 | 7030003640 | S.RESISTOR ERJ3GEYJ 473 V (47 kΩ) | B |
| R8211 | 7030003640 | S.RESISTOR ERJ3GEYJ 473 V (47 kΩ) | B |
| R8212 | 7030003640 | S.RESISTOR ERJ3GEYJ 473 V (47 kΩ) | B |
| R8213 | 7030003640 | S.RESISTOR ERJ3GEYJ 473 V (47 kΩ) | B |
| R8214 | 7030003860 | S.RESISTOR ERJ3GE JPW V | B |
| R8215 | 7030003640 | S.RESISTOR ERJ3GEYJ 473 V (47 kΩ) | B |
| R8216 | 7030003640 | S.RESISTOR ERJ3GEYJ 473 V (47 kΩ) | B |
| R8219 | 7030000010 | S.RESISTOR MCR10EZHZ JPW (000) | B |
| R8220 | 7030003440 | S.RESISTOR ERJ3GEYJ 102 V (1 kΩ) | B |
| R8221 | 7030003440 | S.RESISTOR ERJ3GEYJ 102 V (1 kΩ) | B |
| R8222 | 7030003640 | S.RESISTOR ERJ3GEYJ 473 V (47 kΩ) | B |
| R8223 | 7030003480 | S.RESISTOR ERJ3GEYJ 222 V (2.2 kΩ) | B |
| R8224 | 7030003640 | S.RESISTOR ERJ3GEYJ 473 V (47 kΩ) | B |
| R8225 | 7030003640 | S.RESISTOR ERJ3GEYJ 473 V (47 kΩ) | B |
| R8226 | 7030003640 | S.RESISTOR ERJ3GEYJ 473 V (47 kΩ) | B |
| R8227 | 7030003640 | S.RESISTOR ERJ3GEYJ 473 V (47 kΩ) | B |
| R8228 | 7030003640 | S.RESISTOR ERJ3GEYJ 473 V (47 kΩ) | B |
| R8239 | 7030003440 | S.RESISTOR ERJ3GEYJ 102 V (1 kΩ) | B |

[DISPLAY BOARD]

| REF NO. | ORDER NO. | DESCRIPTION | M. |
|---------|------------|------------------------------------|----|
| R8240 | 7030003440 | S.RESISTOR ERJ3GEYJ 102 V (1 kΩ) | B |
| R8241 | 7030003800 | S.RESISTOR ERJ3GEYJ 105 V (1 MΩ) | B |
| R8242 | 7030003400 | S.RESISTOR ERJ3GEYJ 471 V (470 Ω) | B |
| R8244 | 7030003860 | S.RESISTOR ERJ3GE JPW V | B |
| R8246 | 7030003440 | S.RESISTOR ERJ3GEYJ 102 V (1 kΩ) | B |
| R8247 | 7030003640 | S.RESISTOR ERJ3GEYJ 473 V (47 kΩ) | B |
| R8250 | 7030003680 | S.RESISTOR ERJ3GEYJ 104 V (100 kΩ) | B |
| R8251 | 7030003590 | S.RESISTOR ERJ3GEYJ 183 V (18 kΩ) | B |
| R8252 | 7030003680 | S.RESISTOR ERJ3GEYJ 104 V (100 kΩ) | B |
| R8253 | 7030003540 | S.RESISTOR ERJ3GEYJ 682 V (6.8 kΩ) | B |
| R8254 | 7030003620 | S.RESISTOR ERJ3GEYJ 333 V (33 kΩ) | B |
| R8255 | 7030003640 | S.RESISTOR ERJ3GEYJ 473 V (47 kΩ) | B |
| R8272 | 7030003860 | S.RESISTOR ERJ3GE JPW V | B |
| R8273 | 7030003860 | S.RESISTOR ERJ3GE JPW V | B |
| R8274 | 7030003660 | S.RESISTOR ERJ3GEYJ 683 V (68 kΩ) | B |
| R8275 | 7030003500 | S.RESISTOR ERJ3GEYJ 332 V (3.3 kΩ) | B |
| R8276 | 7030003440 | S.RESISTOR ERJ3GEYJ 102 V (1 kΩ) | B |
| R8278 | 7030003570 | S.RESISTOR ERJ3GEYJ 123 V (12 kΩ) | B |
| R8279 | 7030003600 | S.RESISTOR ERJ3GEYJ 223 V (22 kΩ) | B |
| R8280 | 7030003560 | S.RESISTOR ERJ3GEYJ 103 V (10 kΩ) | B |
| R8281 | 7030003680 | S.RESISTOR ERJ3GEYJ 104 V (100 kΩ) | B |
| R8282 | 7030003690 | S.RESISTOR ERJ3GEYJ 124 V (120 kΩ) | B |
| R8283 | 7030003440 | S.RESISTOR ERJ3GEYJ 102 V (1 kΩ) | B |
| R8284 | 7030003650 | S.RESISTOR ERJ3GEYJ 563 V (56 kΩ) | B |
| R8285 | 7030003400 | S.RESISTOR ERJ3GEYJ 471 V (470 Ω) | B |
| R8287 | 7030003560 | S.RESISTOR ERJ3GEYJ 103 V (10 kΩ) | B |
| R8289 | 7030003460 | S.RESISTOR ERJ3GEYJ 152 V (1.5 kΩ) | B |
| R8290 | 7030006060 | S.RESISTOR ERJ12YJ100U (10 Ω) | B |
| R8300 | 7030003510 | S.RESISTOR ERJ3GEYJ 392 V (3.9 kΩ) | B |
| R8301 | 7030003330 | S.RESISTOR ERJ3GEYJ 121 V (120 Ω) | B |
| R8302 | 7030003510 | S.RESISTOR ERJ3GEYJ 392 V (3.9 kΩ) | B |
| R8303 | 7030003380 | S.RESISTOR ERJ3GEYJ 331 V (330 Ω) | B |
| R8306 | 7030003510 | S.RESISTOR ERJ3GEYJ 392 V (3.9 kΩ) | B |
| R8307 | 7030003330 | S.RESISTOR ERJ3GEYJ 121 V (120 Ω) | B |
| R8313 | 7030003320 | S.RESISTOR ERJ3GEYJ 101 V (100 Ω) | B |
| R8706 | 7030003310 | S.RESISTOR ERJ3GEYJ 820 V (82 Ω) | B |
| R8707 | 7030003420 | S.RESISTOR ERJ3GEYJ 681 V (680 Ω) | B |
| R8708 | 7510001460 | S.THERMISTOR NTCG16 3NH 471KT | B |
| C8201 | 4030011600 | S.CERAMIC C1608 JB 1E 104K-T | B |
| C8202 | 4510006220 | S.ELECTROLYTIC ECEV1CA101UP | B |
| C8203 | 4030011600 | S.CERAMIC C1608 JB 1E 104K-T | B |
| C8204 | 4030011600 | S.CERAMIC C1608 JB 1E 104K-T | B |
| C8205 | 4030006900 | S.CERAMIC C1608 JB 1H 103K-T | B |
| C8206 | 4030007020 | S.CERAMIC C1608 CH 1H 120J-T | B |
| C8207 | 4030007020 | S.CERAMIC C1608 CH 1H 120J-T | B |
| C8208 | 4030011600 | S.CERAMIC C1608 JB 1E 104K-T | B |
| C8209 | 4030006900 | S.CERAMIC C1608 JB 1H 103K-T | B |
| C8213 | 4030006880 | S.CERAMIC C1608 JB 1H 472K-T | B |
| C8214 | 4030006880 | S.CERAMIC C1608 JB 1H 472K-T | B |
| C8215 | 4030007020 | S.CERAMIC C1608 CH 1H 120J-T | B |
| C8216 | 4030007020 | S.CERAMIC C1608 CH 1H 120J-T | B |
| C8220 | 4030017480 | S.CERAMIC C1608 JB 1A 474K-T | B |
| C8221 | 4030006880 | S.CERAMIC C1608 JB 1H 472K-T | B |
| C8222 | 4030006880 | S.CERAMIC C1608 JB 1H 472K-T | B |
| C8225 | 4030006880 | S.CERAMIC C1608 JB 1H 472K-T | B |
| C8226 | 4030006880 | S.CERAMIC C1608 JB 1H 472K-T | B |
| C8227 | 4030011600 | S.CERAMIC C1608 JB 1E 104K-T | B |
| C8229 | 4030011600 | S.CERAMIC C1608 JB 1E 104K-T | B |
| C8244 | 4510004630 | S.ELECTROLYTIC ECEV1CA100SR | B |
| C8246 | 4030006860 | S.CERAMIC C1608 JB 1H 102K-T | B |
| C8250 | 4030006900 | S.CERAMIC C1608 JB 1H 103K-T | B |
| C8280 | 4510005310 | S.ELECTROLYTIC ECEV1CA220SR | B |
| C8281 | 4030006880 | S.CERAMIC C1608 JB 1H 472K-T | B |
| C8282 | 4510004630 | S.ELECTROLYTIC ECEV1CA100SR | B |
| C8283 | 4510004630 | S.ELECTROLYTIC ECEV1CA100SR | B |
| C8284 | 4510005860 | S.ELECTROLYTIC ECEV1HA2R2SR | B |
| C8285 | 4510004630 | S.ELECTROLYTIC ECEV1CA100SR | B |
| C8286 | 4510004640 | S.ELECTROLYTIC ECEV1CA470SP | B |
| C8287 | 4510004650 | S.ELECTROLYTIC ECEV1EA4R7SR | B |
| C8288 | 4030006880 | S.CERAMIC C1608 JB 1H 472K-T | B |
| C8289 | 4030006880 | S.CERAMIC C1608 JB 1H 472K-T | B |
| C8290 | 4510004640 | S.ELECTROLYTIC ECEV1CA470SP | B |
| C8291 | 4030011600 | S.CERAMIC C1608 JB 1E 104K-T | B |
| C8292 | 4030011600 | S.CERAMIC C1608 JB 1E 104K-T | B |
| C8293 | 4510004640 | S.ELECTROLYTIC ECEV1CA470SP | B |
| C8294 | 4030007130 | S.CERAMIC C1608 CH 1H 101J-T | B |
| C8295 | 4030006880 | S.CERAMIC C1608 JB 1H 472K-T | B |
| C8297 | 4030006880 | S.CERAMIC C1608 JB 1H 472K-T | B |
| C8298 | 4030006880 | S.CERAMIC C1608 JB 1H 472K-T | B |
| C8299 | 4030007090 | S.CERAMIC C1608 CH 1H 470J-T | B |
| C8300 | 4030007090 | S.CERAMIC C1608 CH 1H 470J-T | B |
| C8301 | 4510004640 | S.ELECTROLYTIC ECEV1CA470SP | B |
| C8302 | 4030011600 | S.CERAMIC C1608 JB 1E 104K-T | B |
| C8303 | 4030011600 | S.CERAMIC C1608 JB 1E 104K-T | B |
| C8304 | 4510004640 | S.ELECTROLYTIC ECEV1CA470SP | B |
| C8310 | 4510004640 | S.ELECTROLYTIC ECEV1CA470SP | B |

M.=Mounted side (T: Mounted on the Top side, B: Mounted on the Bottom side)

S.=Surface mount

[DISPLAY BOARD]

| REF NO. | ORDER NO. | DESCRIPTION | | M. |
|---------|------------|----------------|--------------------|----|
| C8311 | 4030011600 | S.CERAMIC | C1608 JB 1E 104K-T | B |
| C8312 | 4030011600 | S.CERAMIC | C1608 JB 1E 104K-T | B |
| C8313 | 4510004640 | S.ELECTROLYTIC | ECEV1CA470SP | B |
| J8201 | 6510021260 | S.CONNECTOR | B9B-ZR-SM3-TF | B |
| J8202 | 6510022620 | S.CONNECTOR | 10FMN-BMTTR-A-TBT | B |
| J8205 | 6510022540 | S.CONNECTOR | 20FMN-BMTTR-A-TBT | B |
| J8701 | 6450001470 | CONNECTOR | 95003-2881 | T |
| J8702 | 6510022620 | S.CONNECTOR | 10FMN-BMTTR-A-TBT | B |
| DS8300 | 5040002470 | S.LED | FY1112H | T |
| DS8301 | 5040002470 | S.LED | FY1112H | T |
| DS8302 | 5040002470 | S.LED | FY1112H | T |
| DS8303 | 5040002470 | S.LED | FY1112H | T |
| DS8304 | 5040002470 | S.LED | FY1112H | T |
| DS8305 | 5040002030 | S.LED | CL-170Y-CD-T | T |
| DS8306 | 5040002030 | S.LED | CL-170Y-CD-T | T |
| DS8308 | 5040002030 | S.LED | CL-170Y-CD-T | T |
| DS8309 | 5040002030 | S.LED | CL-170Y-CD-T | T |
| DS8311 | 5040002030 | S.LED | CL-170Y-CD-T | T |
| DS8312 | 5040002030 | S.LED | CL-170Y-CD-T | T |
| DS8313 | 5040002030 | S.LED | CL-170Y-CD-T | T |
| DS8314 | 5040002030 | S.LED | CL-170Y-CD-T | T |
| S8201 | 2250000480 | ENCODER | EVEHE1F2524B | T |
| EP8291 | 0910057183 | PCB | B 6057C | |
| EP8292 | 6910012350 | S.BEAD | MMZ1608Y 102BT | B |
| EP8293 | 6910012350 | S.BEAD | MMZ1608Y 102BT | B |
| EP8294 | 6910012350 | S.BEAD | MMZ1608Y 102BT | B |
| EP8295 | 6910012350 | S.BEAD | MMZ1608Y 102BT | B |

[REAR BOARD]

| REF NO. | ORDER NO. | DESCRIPTION | | M. |
|---------|------------|-------------|---------------------|----|
| R8801 | 7030010540 | S.RESISTOR | ERJ1TYJ 330U (33 Ω) | T |
| R8802 | 7030010540 | S.RESISTOR | ERJ1TYJ 330U (33 Ω) | T |
| R8803 | 7030010540 | S.RESISTOR | ERJ1TYJ 330U (33 Ω) | T |
| C8801 | 4030006880 | S.CERAMIC | C1608 JB 1H 472K-T | T |
| J8801 | 6450000140 | CONNECTOR | HSJ0807-01-010 | T |
| J8802 | 6510022620 | S.CONNECTOR | 10FMN-BMTTR-A-TBT | T |
| EP8801 | 0910057190 | PCB | B 6092 | |

[CONNECT BOARD]

| REF NO. | ORDER NO. | DESCRIPTION | | M. |
|---------|------------|-------------|-------------------------|----|
| L8920 | 6200001830 | S.COIL | NL 322522T-100J | B |
| L8921 | 6200001830 | S.COIL | NL 322522T-100J | B |
| R8941 | 7030003830 | S.RESISTOR | ERJ3GEYJ 185 V (1.8 MΩ) | B |
| R8942 | 7030003840 | S.RESISTOR | ERJ3GEYJ 225 V (2.2 MΩ) | B |
| R8943 | 7030003640 | S.RESISTOR | ERJ3GEYJ 473 V (47 kΩ) | B |
| R8944 | 7030003640 | S.RESISTOR | ERJ3GEYJ 473 V (47 kΩ) | B |
| R8946 | 7030003830 | S.RESISTOR | ERJ3GEYJ 185 V (1.8 MΩ) | B |
| C8930 | 4030011600 | S.CERAMIC | C1608 JB 1E 104K-T | B |
| C8931 | 4030011600 | S.CERAMIC | C1608 JB 1E 104K-T | B |
| C8932 | 4550006450 | S.TANTALUM | ECST1EY105R | B |
| C8933 | 4550006450 | S.TANTALUM | ECST1EY105R | B |
| C8934 | 4550006450 | S.TANTALUM | ECST1EY105R | B |
| C8935 | 4550006450 | S.TANTALUM | ECST1EY105R | B |
| C8936 | 4550006450 | S.TANTALUM | ECST1EY105R | B |
| C8937 | 4030011600 | S.CERAMIC | C1608 JB 1E 104K-T | B |
| J8920 | 6510022540 | S.CONNECTOR | 20FMN-BMTTR-A-TBT | B |
| DS8920 | 5030002670 | LCD | F7000 LCD ASSEMBLY | T |
| EP8921 | 0910057172 | PCB | B 6013B | |

M.=Mounted side (T: Mounted on the Top side, B: Mounted on the Bottom side)

S.=Surface mount

6-3 HM-146

[MAIN UNIT]

| REF NO. | ORDER NO. | DESCRIPTION | | M. |
|---------|------------|--------------|------------------------------|----|
| MIC IC1 | 1130008990 | S.IC | LC7366NM-TRM <KN> | T |
| Q1 | 1590003340 | S.TRANSISTOR | DTA114EUA T106 <KN> | T |
| D1 | 1730002500 | S.ZENER | MA8062-M (TX) <KN> | T |
| X1 | 6060000700 | S.CERAMIC | PRBC 3.58AR <KN> | T |
| L5 | 6200008620 | S.COIL | LK1608-R82K-T <KN> | T |
| R1 | 7030009370 | S.RESISTOR | MCR03EZHZ 220 Ω— (221) <KN> | T |
| R13 | 7030009360 | S.RESISTOR | MCR03EZHZ 100 Ω— (101) <KN> | T |
| R14 | 7030009410 | S.RESISTOR | MCR03EZHZ 2.2 kΩ— (222) <KN> | T |
| R15 | 7030009450 | S.RESISTOR | MCR03EZHZ 5.6 kΩ— (562) <KN> | T |
| R17 | 7030009430 | S.RESISTOR | MCR03EZHZ 3.3 kΩ— (332) <KN> | T |
| R18 | 7030009350 | S.RESISTOR | MCR03EZHZ 10 Ω— (11) <KN> | T |
| R19 | 7030009430 | S.RESISTOR | MCR03EZHZ 3.3 kΩ— (332) <KN> | T |
| R20 | 7030009430 | S.RESISTOR | MCR03EZHZ 3.3 kΩ— (332) <KN> | T |
| R22 | 7030009380 | S.RESISTOR | MCR03EZHZ 470 Ω— (471) <KN> | T |
| R23 | 7030009390 | S.RESISTOR | MCR03EZHZ 1 kΩ— (102) <KN> | T |
| R24 | 7030009470 | S.RESISTOR | MCR03EZHZ 47 kΩ— (473) <KN> | T |
| R25 | 7030009470 | S.RESISTOR | MCR03EZHZ 47 kΩ— (473) <KN> | T |
| R26 | 7030009470 | S.RESISTOR | MCR03EZHZ 47 kΩ— (473) <KN> | T |
| R27 | 7030009470 | S.RESISTOR | MCR03EZHZ 47 kΩ— (473) <KN> | T |
| R28 | 7030009470 | S.RESISTOR | MCR03EZHZ 47 kΩ— (473) <KN> | T |
| R29 | 7030009470 | S.RESISTOR | MCR03EZHZ 47 kΩ— (473) <KN> | T |
| R30 | 7030009470 | S.RESISTOR | MCR03EZHZ 47 kΩ— (473) <KN> | T |
| R31 | 7030009470 | S.RESISTOR | MCR03EZHZ 47 kΩ— (473) <KN> | T |
| R35 | 7030009360 | S.RESISTOR | MCR03EZHZ 100 Ω— (101) <KN> | T |
| R36 | 7030011020 | S.RESISTOR | MCR03EZHZ 330 Ω— (331) <KN> | T |
| C1 | 4030014380 | S.CERAMIC | UMK107 CH 200JZ-T <KN> | T |
| C2 | 4030014380 | S.CERAMIC | UMK107 CH 200JZ-T <KN> | T |
| C3 | 4030014370 | S.CERAMIC | LMK212 BJ 105KG-T <KN> | T |
| C4 | 4030014410 | S.CERAMIC | TMK107 B 103KZ-T <KN> | T |
| C13 | 4030014370 | S.CERAMIC | LMK212 BJ 105KG-T <KN> | T |
| C15 | 4030014400 | S.CERAMIC | TMK107 B 102KZ-T <KN> | T |
| C16 | 4030014360 | S.CERAMIC | EMK212 BJ 334KG-T <KN> | T |
| C17 | 4030014370 | S.CERAMIC | LMK212 BJ 105KG-T <KN> | T |
| C18 | 4030018730 | S.CERAMIC | C1608 JB 1E 104K-T <KN> | T |
| C19 | 4030014390 | S.CERAMIC | UMK107 SL 470JZ-T <KN> | T |
| C20 | 4030014400 | S.CERAMIC | TMK107 B 102KZ-T <KN> | T |
| C21 | 4030014410 | S.CERAMIC | TMK107 B 103KZ-T <KN> | T |
| C22 | 4030014400 | S.CERAMIC | TMK107 B 102KZ-T <KN> | B |
| C24 | 4030014400 | S.CERAMIC | TMK107 B 102KZ-T <KN> | B |
| C25 | 4030014400 | S.CERAMIC | TMK107 B 102KZ-T <KN> | B |
| C26 | 4030014400 | S.CERAMIC | TMK107 B 102KZ-T <KN> | T |
| C28 | 4030014390 | S.CERAMIC | UMK107 SL 470JZ-T <KN> | T |
| C29 | 4030014390 | S.CERAMIC | UMK107 SL 470JZ-T <KN> | T |
| J1 | 6510021010 | CONNECTOR | 52018-8835 <KN> | T |
| DS1 | 5040002380 | S.LED | SML-311YT T86 <KN> | B |
| DS2 | 5040002380 | S.LED | SML-311YT T86 <KN> | B |
| DS3 | 5040002380 | S.LED | SML-311YT T86 <KN> | B |
| DS4 | 5040002380 | S.LED | SML-311YT T86 <KN> | B |
| MC1 | 7700002410 | MICROPHONE | KUB2823-011500 <KN> | B |
| S1 | 2230001020 | S.SWITCH | JPM1990-2013R <KN> | T |
| S2 | 2220000620 | S.SWITCH | SSS81560A | T |
| S3 | 2260002500 | SWITCH | SKHHLM | T |
| S4 | 2260002500 | SWITCH | SKHHLM | T |
| W1 | 8900007971 | CABLE | OPC-762A <KN> | T |
| EP1 | 0910057261 | PCB | B 6021A | |

M.=Mounted side (T: Mounted on the Top side, B: Mounted on the Bottom side)

S.=Surface mount

SECTION 7 MECHANICAL PARTS AND DISASSEMBLY

7-1 RC-26

[FRONT PARTS]

| REF. NO. | ORDER NO. | DESCRIPTION | QTY. |
|----------|------------|-------------------------------|------|
| W8002 | 8900012650 | Cable OPC-1272 | 1 |
| MP8001 | 8210020240 | 2140 front panel (A) assembly | 1 |
| MP8002 | 8210020010 | 2621 reflector | 1 |
| MP8003 | 8930060820 | 2621 LCD holder | 1 |
| MP8006 | 8930060810 | 2140 front key (D) | 1 |
| MP8009 | 8610009840 | Knob N234 | 1 |
| MP8011 | 8930038220 | 1765 rear plate | 1 |
| MP8012 | 8210013160 | 1765 front panel | 1 |
| MP8013 | 8930038230 | 1765 rear seal | 1 |
| MP8015 | 8930055530 | Sponge (GS) | 1 |
| MP8016 | 8820000870 | 1705 cap screw | 3 |
| MP8017 | 8810008760 | Screw BT B0 2 × 8 NI-ZU | 5 |
| MP8018 | 8810009060 | Screw FH M3 × 6 ZK | 4 |
| MP8020 | 8930038190 | 1765 jack bush | 1 |
| MP8021 | 8930038210 | 1765 jack seal | 1 |
| MP8022 | 8810008660 | Screw PH B0 3 × 8 NI-ZU | 2 |
| MP8023 | 8930048290 | 2140 LCD filter | 1 |
| MP8024 | 8930061640 | Rubber sheet (BH) | 2 |

[DISPLAY BOARD]

| REF. NO. | ORDER NO. | DESCRIPTION | QTY. |
|----------|------------|------------------------|------|
| J8701 | 6450001470 | Connector 95003-2881 | 1 |
| S8201 | 2250000480 | Switch EVE HE1 F25 24B | 1 |

[REAR BOARD]

| REF. NO. | ORDER NO. | DESCRIPTION | QTY. |
|----------|------------|--------------------------|------|
| J8801 | 6450000140 | Connector HSJ0807-01-010 | 1 |

[CONNECT BOARD]

| REF. NO. | ORDER NO. | DESCRIPTION | QTY. |
|----------|------------|--------------------|------|
| DS8920 | 5030002670 | F7000 LCD assembly | 1 |

7-2 HM-146

[CHASSIS PARTS]

| REF. NO. | ORDER NO. | DESCRIPTION | QTY. |
|----------|------------|----------------------------|------|
| MP1 | 8210015341 | 1743 front panel-1 | 1 |
| MP2 | 8210015331 | 1743 rear panel -1 | 1 |
| MP3 | 8930045790 | 1743 hook holder | 1 |
| MP5 | 8930052400 | 2129 PTT button | 1 |
| MP6 | 8930045780 | 1743 plumb | 2 |
| MP7 | 8930060900 | 1743 10-key (B) | 1 |
| MP12 | 8930046930 | 1135 U/D button (B) | 1 |
| MP13 | 8610010640 | Knob N-226 | 1 |
| MP15 | 8810009760 | Screw PH B0 3 × 12 ZK (BT) | 2 |
| MP16 | 8810009260 | Screw PH B0 2 × 6 NI (BT) | 3 |
| MP17 | 8810009770 | Screw BiH M4 × 14 NI | 1 |
| MP21 | 8930046540 | Rubber sheet (AN) | 1 |
| MP24 | 8930046370 | 1743 A-plumb | 1 |
| MP25 | 8810009810 | Screw PH B0 3 × 14 ZK (BT) | 1 |
| MP26 | 8850001610 | Spring washer M4 SUS | 1 |
| MP28 | 8930052390 | 1743 SW rubber | 1 |
| MP29 | 8930054170 | 2129 sheet | 1 |

[MIC UNIT]

| REF. NO. | ORDER NO. | DESCRIPTION | QTY. |
|----------|------------|---------------------------|------|
| MC1 | 7700002410 | Microphone KUB2823-011500 | 1 |
| W1 | 8900007971 | Cable OPC-762A | 1 |
| S3 | 2260002500 | Switch SKHHLM | 1 |
| S4 | 2260002500 | Switch SKHHLM | 1 |

7-3 IC-F7000

[CHASSIS PARTS]

| REF. NO. | ORDER NO. | DESCRIPTION | QTY. |
|----------|------------|-------------------------------|------|
| J4501 | 6510000370 | Connector MR-DS | 1 |
| W4501 | 8900012620 | Cable OPC-1270 | 1 |
| W4502 | 8900012630 | Cable OPC-1271 | 1 |
| MP4501 | 8010019330 | 2620 chassis | 1 |
| MP4502 | 8110008010 | 2620 T-cover | 1 |
| MP4503 | 8110008000 | 2620 U-cover | 1 |
| MP4504 | 8930061070 | 2620 A-front plate | 1 |
| MP4508 | 8930035230 | 1546 TR-A clip | 1 |
| MP4509 | 8820000530 | Flange bolt M4 × 8 NI | 1 |
| MP4511 | 8930040590 | Rubber foot (K) | 4 |
| MP4512 | 8810005770 | Screw BiH M3 × 8 ZK | 2 |
| MP4513 | 8810005770 | Screw BiH M3 × 8 ZK | 16 |
| MP4514 | 8810003170 | Setscrew A M3 × 8 | 7 |
| MP4515 | 8810003170 | Setscrew A M3 × 8 | 2 |
| MP4516 | 8930037001 | 1691 earth plate-1 | 1 |
| MP4517 | 8810008660 | Screw PH B0 M3 × 8 NI-ZU (BT) | 8 |
| MP4518 | 8810008660 | Screw PH B0 M3 × 8 NI-ZU (BT) | 4 |
| MP4519 | 8810008660 | Screw PH B0 M3 × 8 NI-ZU (BT) | 13 |
| MP4520 | 8810008660 | Screw PH B0 M3 × 8 NI-ZU (BT) | 2 |
| MP4527 | 8810006700 | Screw PH B0 M2.6 × 8 ZK | 1 |
| MP4528 | 8930061520 | Shield sponge (AC) | 1 |
| MP4529 | 8930042620 | Sponge (ES) | 1 |
| MP4530 | 8810005770 | Screw BiH M3 × 8 ZK | 1 |
| MP4531 | 8930053472 | Thermally sheet (R)-2 | 1 |

[MAIN UNIT]

| REF. NO. | ORDER NO. | DESCRIPTION | QTY. |
|----------|------------|---------------------------|------|
| J1451 | 6450000102 | Connector HSJ1857-01-1220 | 1 |
| J1801 | 6510023840 | Connector TCS5107-182011 | 1 |
| J2051 | 6510023050 | Connector TCS7286-01-241 | 1 |
| EP1451 | 6450001370 | Washer HSJ0999-01-210 | 1 |
| MP201 | 8510013390 | 2355 MIX case | 1 |
| MP203 | 8510005980 | 724 shield case | 1 |
| MP204 | 8510005990 | 724 shield case cover | 1 |
| MP401 | 8930014140 | Earth spring (D) | 1 |
| MP601 | 8510005980 | 724 shield case | 1 |
| MP602 | 8510005990 | 724 shield case cover | 1 |
| MP1451 | 8830001670 | Screw HSJ0999-01-190 | 1 |
| MP1501 | 8510013140 | 2241 DC-A case | 1 |
| MP1502 | 8930063000 | Thermally sheet (AQ) | 1 |

[PLL UNIT]

| REF. NO. | ORDER NO. | DESCRIPTION | QTY. |
|----------|------------|-----------------------|------|
| J5041 | 6510023750 | Connector 01K1971-10 | 1 |
| J5051 | 6510023120 | Connector CD6109SA1J0 | 1 |
| J5081 | 6510023120 | Connector CD6109SA1J0 | 1 |
| J5091 | 6510023750 | Connector 01K1971-10 | 1 |
| MP5101 | 8930014140 | Earth spring (D) | 1 |
| MP5103 | 8510010850 | 1897 D/A case | 1 |
| MP5501 | 8930062310 | Shield sponge (AE) | 1 |
| MP5701 | 8510006941 | DTMF shield case-1 | 1 |

[DSP BOARD]

| REF. NO. | ORDER NO. | DESCRIPTION | QTY. |
|----------|------------|-------------------|------|
| MP9001 | 8510014650 | 2429 DSP case | 1 |
| MP9003 | 8930058170 | Shield sponge (O) | 1 |
| MP9004 | 8930042620 | Sponge (ES) | 1 |

[DRIVER BOARD]

| REF. NO. | ORDER NO. | DESCRIPTION | QTY. |
|----------|------------|------------------|------|
| MP6851 | 8410002480 | 2429 PA heatsink | 1 |

[ACCESSORIES]

• IC-F7000

| REF. NO. | ORDER NO. | DESCRIPTION | QTY. |
|----------|------------|---------------------------|------|
| MC4001 | 0800007310 | HM-146 | 1 |
| SP4001 | 0800007490 | SP-25 | 1 |
| J4002 | 6450001280 | Connector TCP0587-71-5401 | 1 |
| P4001 | 5610000340 | Connector XMP-10V | 1 |
| P4002 | 5610000300 | Terminal BXA-001T-P0.6 | 10 |
| F4001 | 5210000840 | Fuse ATC-30 | 2 |
| F4002 | 5210000060 | Fuse FGB 5A | 2 |
| W4001 | 8900012700 | Cable OPC-1289 | 1 |
| EP4002 | 0880001450 | RC-26 | 1 |
| MP4005 | 8810001490 | Screw PH A0 M5 × 20 SUS | 4 |
| MP4006 | 8850000500 | Spring washer M5 SUS | 4 |
| MP4007 | 8850000180 | Flat washer M5 SUS | 4 |
| MP4008 | 8810010030 | Setscrew C M5 × 8 SUS | 2 |
| MP4011 | 8010019460 | 2620 bracket | 1 |
| MP4012 | 8930062060 | 2620 L-lock plate | 1 |
| MP4013 | 8930062070 | 2620 R-lock plate | 1 |
| MP4014 | 8930062050 | 2620 spacer | 2 |
| MP4015 | 8930062100 | 2620 rubber | 4 |
| MP4016 | 8930062110 | 2620 shaft | 2 |
| MP4017 | 8850002020 | Plain washer | 6 |
| MP4018 | 8850002030 | Wave washer M8 SUS | 2 |
| MP4019 | 8810010030 | Setscrew C M5 × 8 SUS | 4 |

• RC-26

| REF. NO. | ORDER NO. | DESCRIPTION | QTY. |
|----------|------------|-------------------------|------|
| MP8101 | 8810000470 | Screw PH M5 × 12 (+-) | 4 |
| MP8102 | 8810000950 | Screw PH A0 M5 × 16 | 4 |
| MP8103 | 8820000910 | 1765 screw | 2 |
| MP8104 | 8850000150 | Flat washer M5 NI BS | 4 |
| MP8105 | 8850000390 | Spring washer M5 | 4 |
| MP8106 | 8830000120 | Nut M5 | 4 |
| MP8107 | 8010016470 | 1765 bracket | 1 |
| MP8108 | 8950005110 | 2289 mic hanger | 1 |
| MP8109 | 8810004700 | Screw PH A0 M3 × 16 SUS | 2 |

Screw abbreviations BT, B0, A0: Self-tapping
 PH: Pan head BiH: Binding head
 FH: Flat head SUS: Stainless
 NI: Nickel BS: Brass
 NI-ZU: Nickel-Zinc ZK: Black

ACCESSORIES

MC4001 (F) SP4001 (F) MP4011 (F)

W4001 (F) MP4014 (F) MP4005 (F)
 MP4007 (F) MP4006 (F)

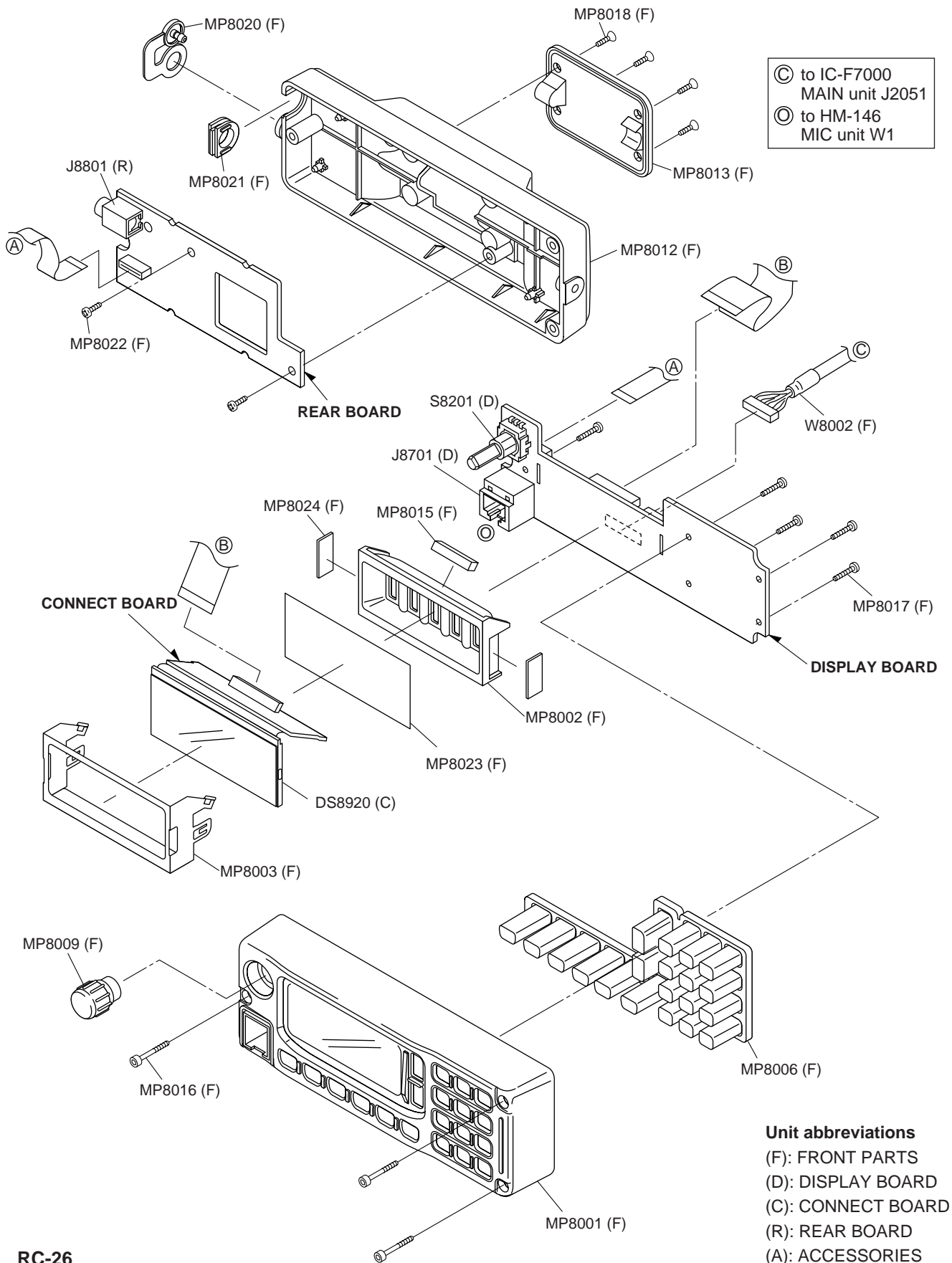
MP4019 (F)

F4002 (F) F4001 (F) P4001 (F)

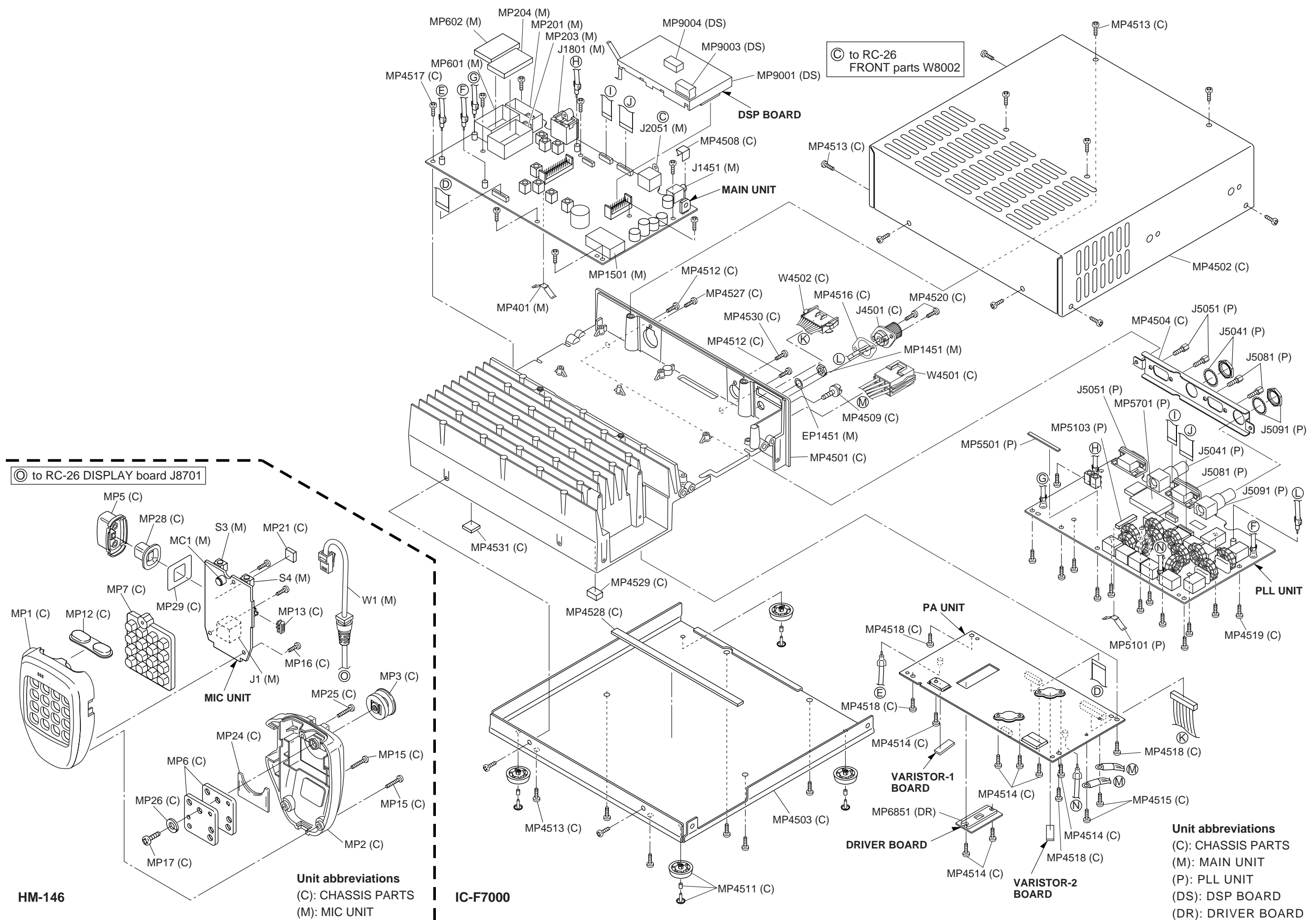
J4002 (F) MP8108 (R) MP8109 (R) P4002 (F)

EP4002 (F) MP8107 (R) MP8103 (R)
 MP8101 (R) MP8106 (R) MP8102 (R)
 MP8104 (R) MP8105 (R)

(R): RC-26
 (F): IC-F7000

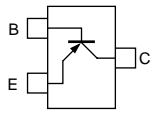
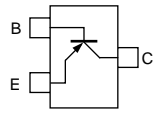
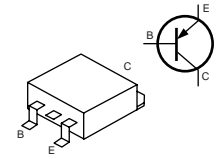
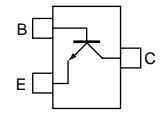
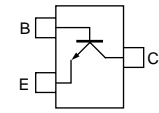
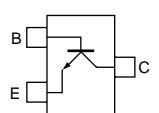
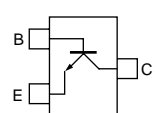
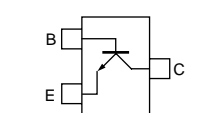
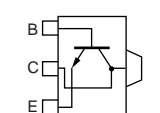
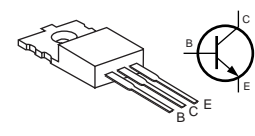
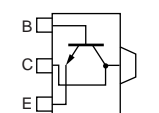
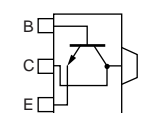
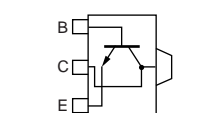
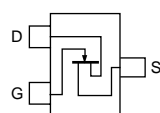
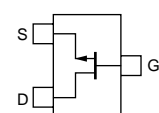
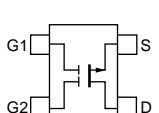
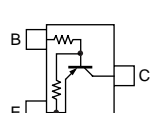
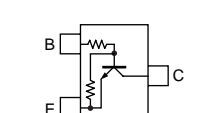
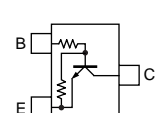
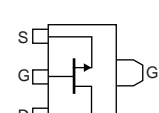
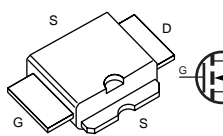
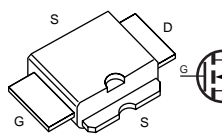
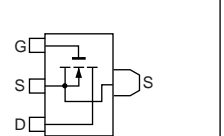
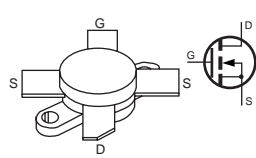
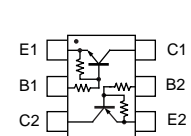
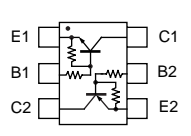
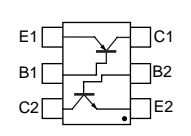


RC-26

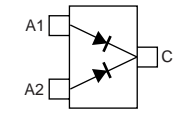
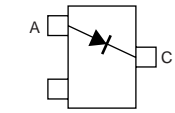
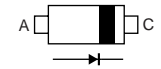
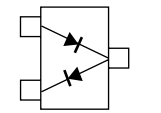
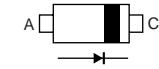
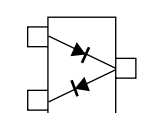
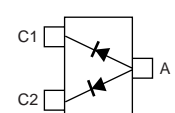
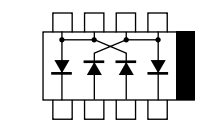
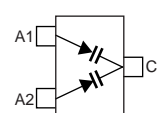
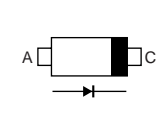
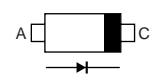
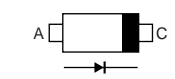
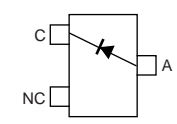
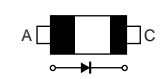
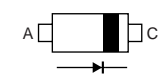
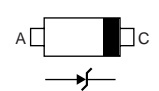
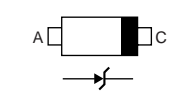
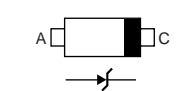
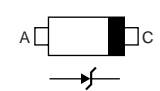
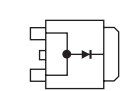
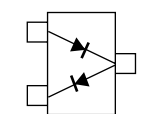
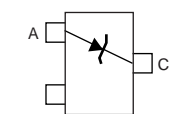
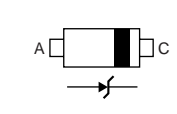
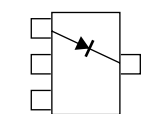
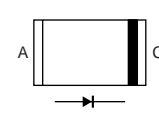


SECTION 8 SEMI-CONDUCTOR INFORMATION

• TRANSISTOR AND FET'S

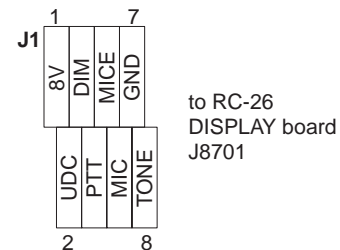
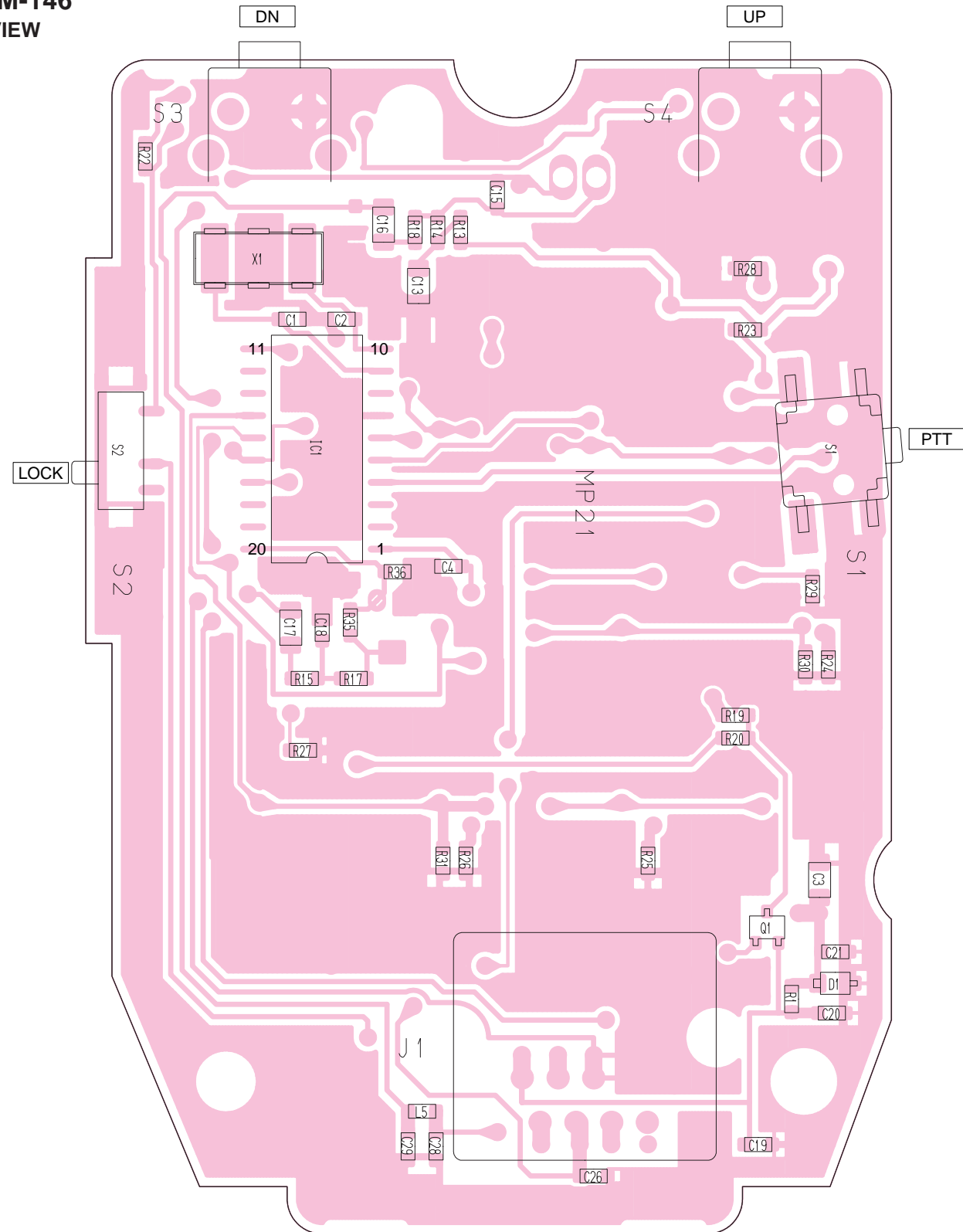
| | | | | |
|--|--|--|--|---|
| 2SA1037AK S (Symbol: FS)  | 2SA1586 GR (Symbol: SG)  | 2SB1201 S (Symbol: B1201)  | 2SC4081 T106 R (Symbol: BR)  | 2SC4116 BL (Symbol: LL)  |
| 2SC4116 GR (Symbol: LG)  | 2SC4213 B (Symbol: AB)  | 2SC4215 O (Symbol: QO)  | 2SC5551F (Symbol: EB)  | 2SD1585 K (Symbol: None)  |
| 2SD1619 T TD (Symbol: DB)  | 2SD1664 T100Q (Symbol: DAQ)  | 2SD1801 S TL (Symbol: CE)  | 2SK210 GR (Symbol: YG)  | 2SK508 K52 T2B (Symbol: K52)  |
| 3SK131 T2 MAS (Symbol: V11)  | DTA114EUA T106 (Symbol: 14)  | DTC114EUA T106 (Symbol: 24)  | DTC144EUA T106 (Symbol: 26_)  | MMBFU310LT1 (Symbol: 6C)  |
| PD55003 (Symbol: PD55003)  | PD55015 (Symbol: PD55015)  | RD01MUS1 (Symbol: K2)  | SD1405 (Symbol: SD1405)  | XP4311 (Symbol: 3X)  |
| XP4312 (Symbol: 7T)  | XP4601 (Symbol: 5C)  | | | |

• DIODES

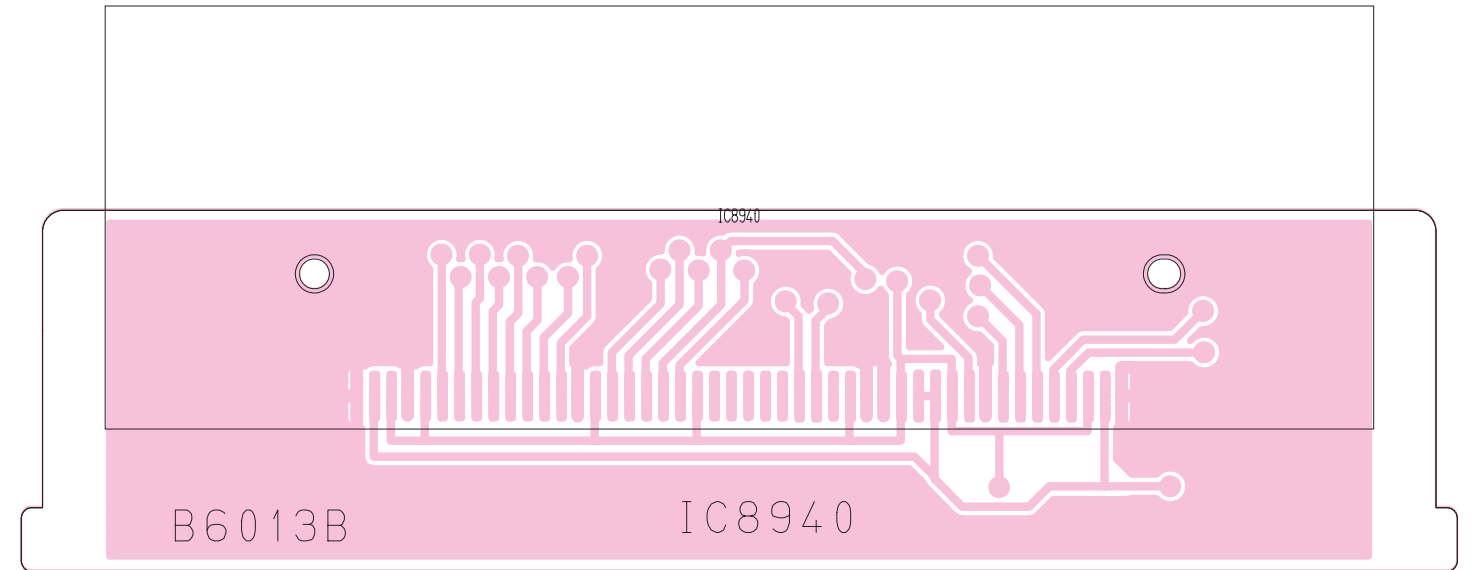
| | | | | |
|--|---|--|---|---|
| 1SS301 (Symbol: B3)  | 1SS322 (Symbol: A9)  | 1SS355 (Symbol: A)  | 1SS375-TL (Symbol: FH)  | 1SV307 (Symbol: TX)  |
| DA221 TL (Symbol: K)  | DAP222 TL (Symbol: P)  | HSB88WSTR (Symbol: Silver line)  | KV1770S (Symbol: C7)  | MA2S111 (Symbol: A)  |
| MA2S728 (Symbol: B)  | MA30-(TX) (Symbol: 3B)  | MA132A (Symbol: MB)  | MA338 (Symbol: 6H)  | MA728 (Symbol: 2A)  |
| MA8051 M (Symbol: 5-1)  | MA8062 M (Symbol: 6-2)  | MA8082 M (Symbol: 8-2)  | MA8091 M (Symbol: 9-1)  | MBRB4030 (Symbol: B4030)  |
| RB706F-40 T106 (Symbol: 3J)  | RD10M B3 (Symbol: 103)  | RD20E B2 (Symbol: 20 B2)  | SB20 03P (Symbol: SC)  | UM9957F/TR  |

SECTION 9 BOARD LAYOUTS

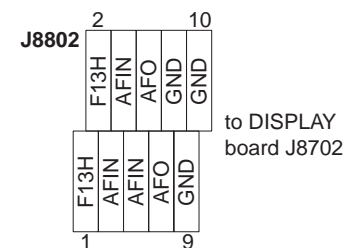
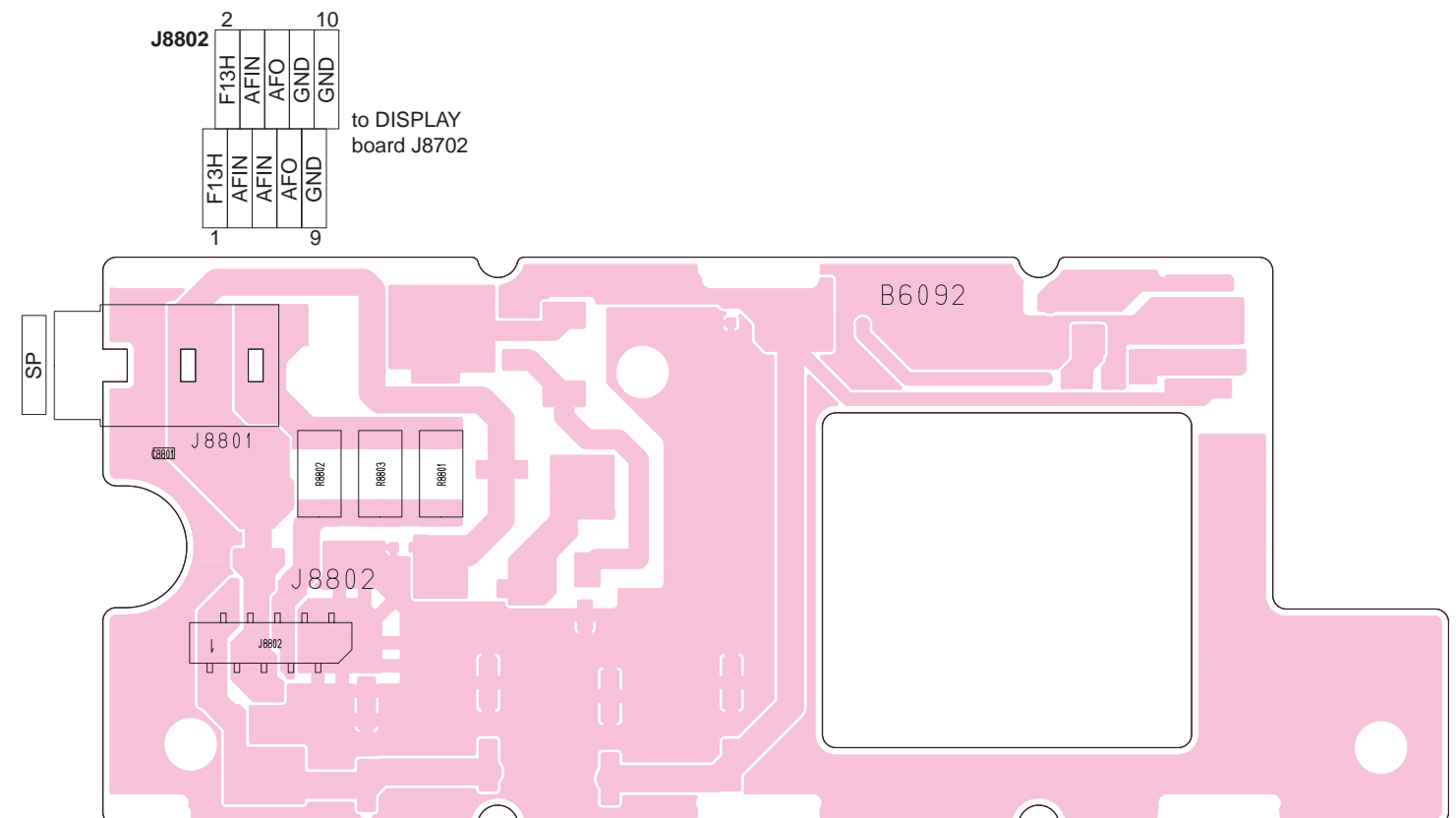
9-1 HM-146
• TOP VIEW



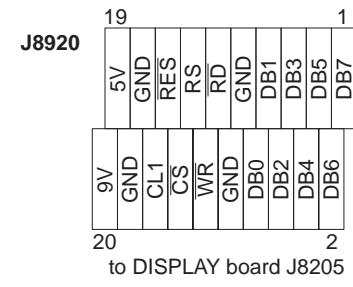
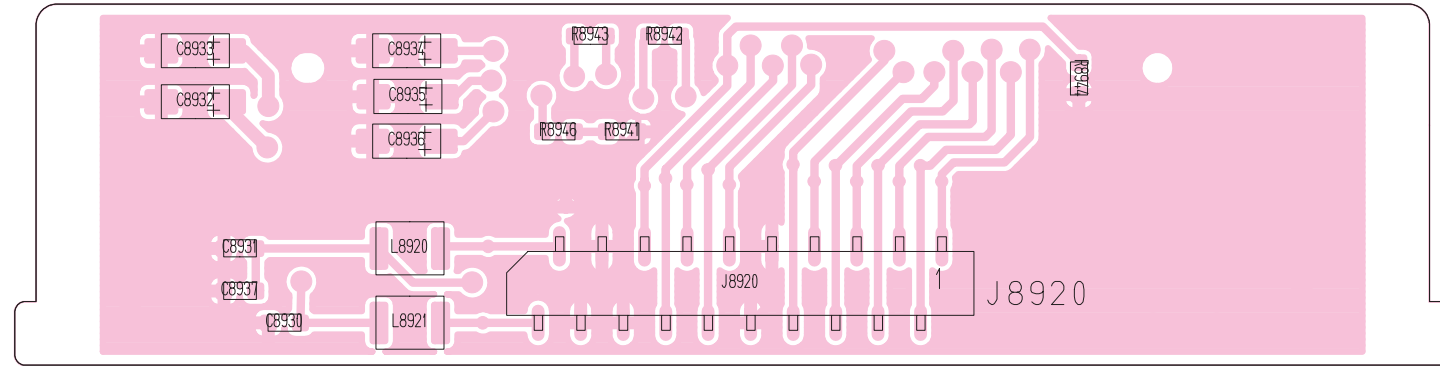
9-2 RC-26
9-2-1 CONNECT BOARD
• TOP VIEW



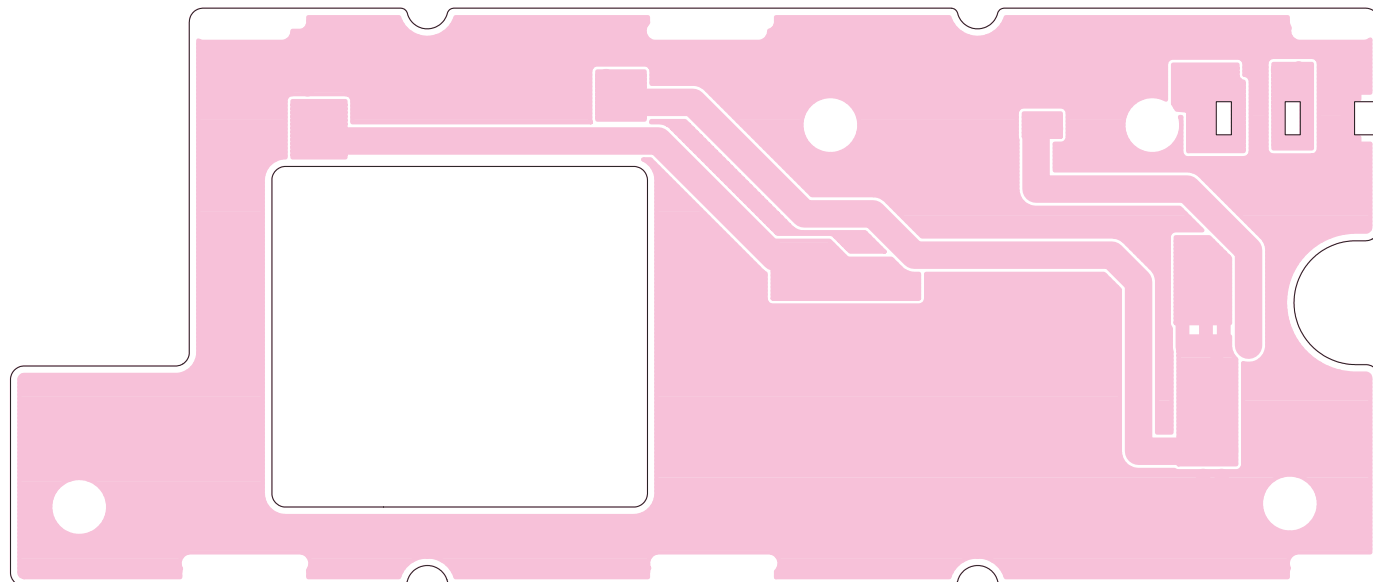
9-2-2 REAR BOARD
• TOP VIEW



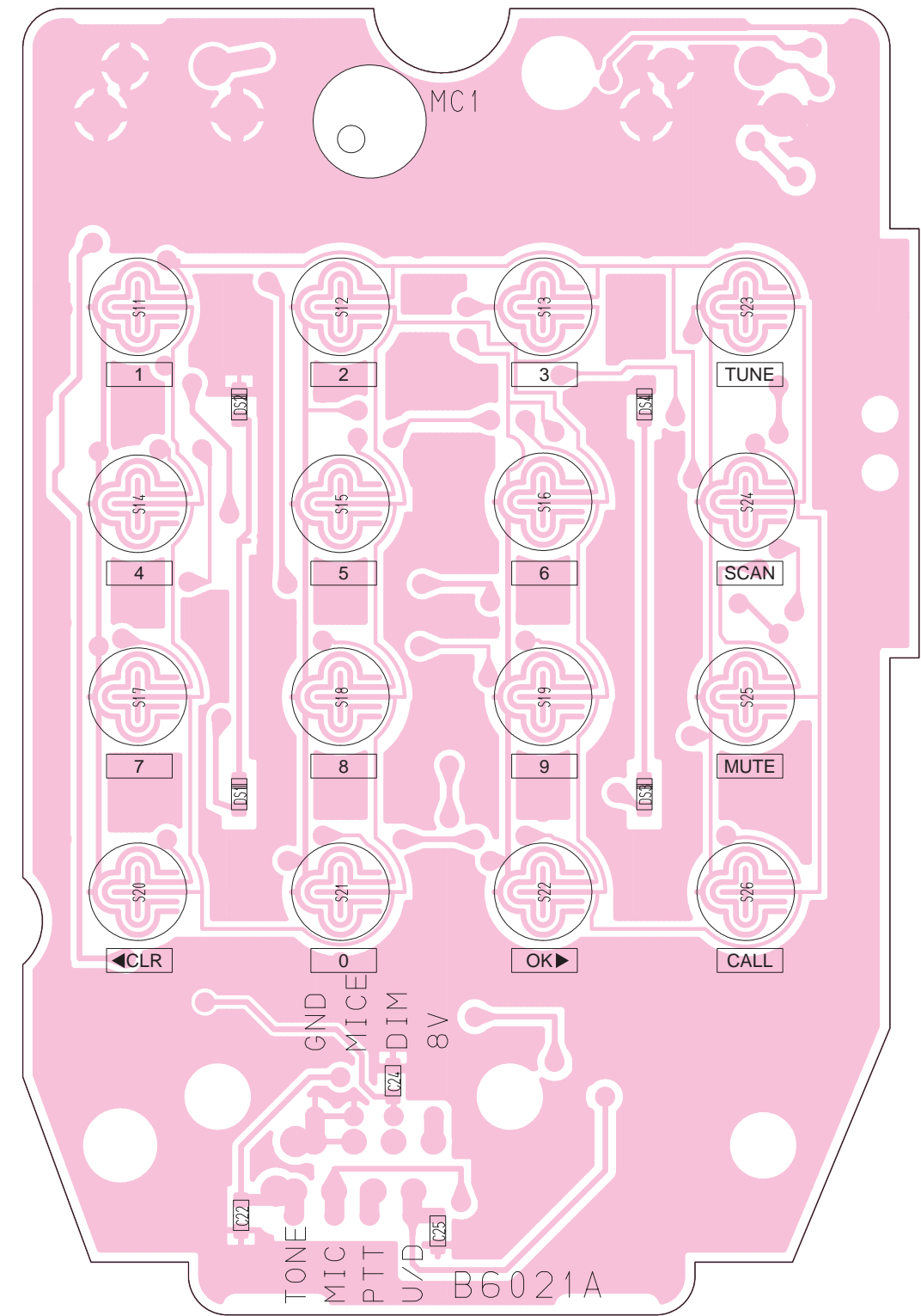
• BOTTOM VIEW (CONNECT BOARD)



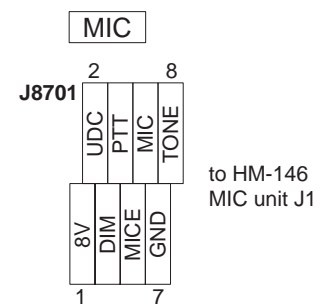
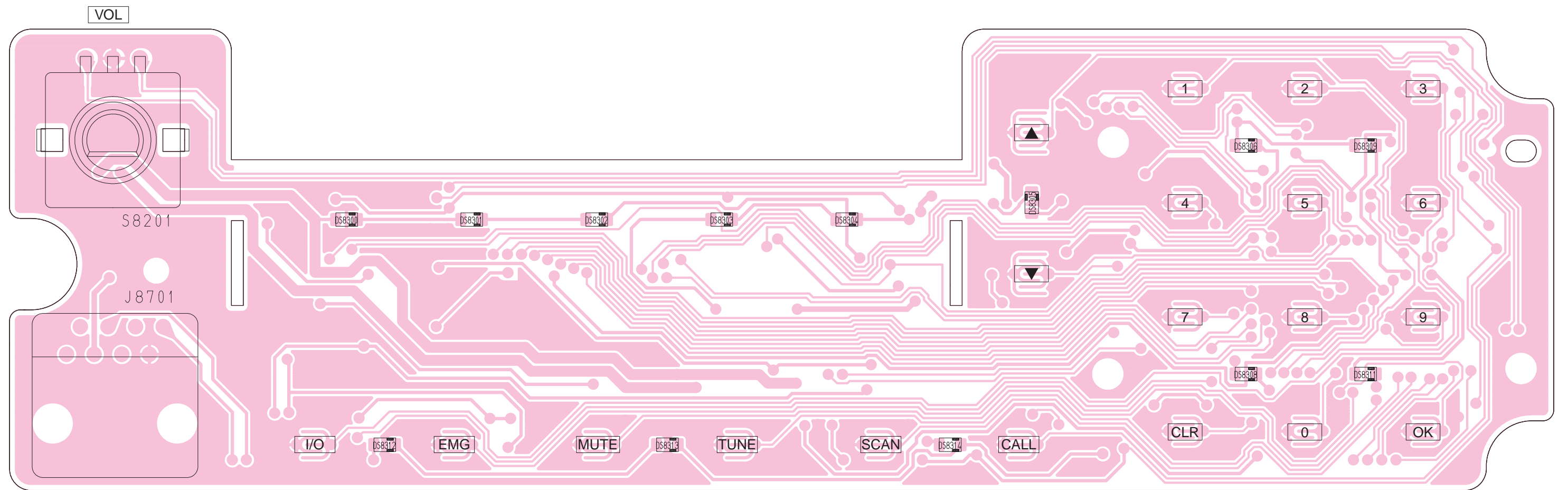
• BOTTOM VIEW (REAR BOARD)



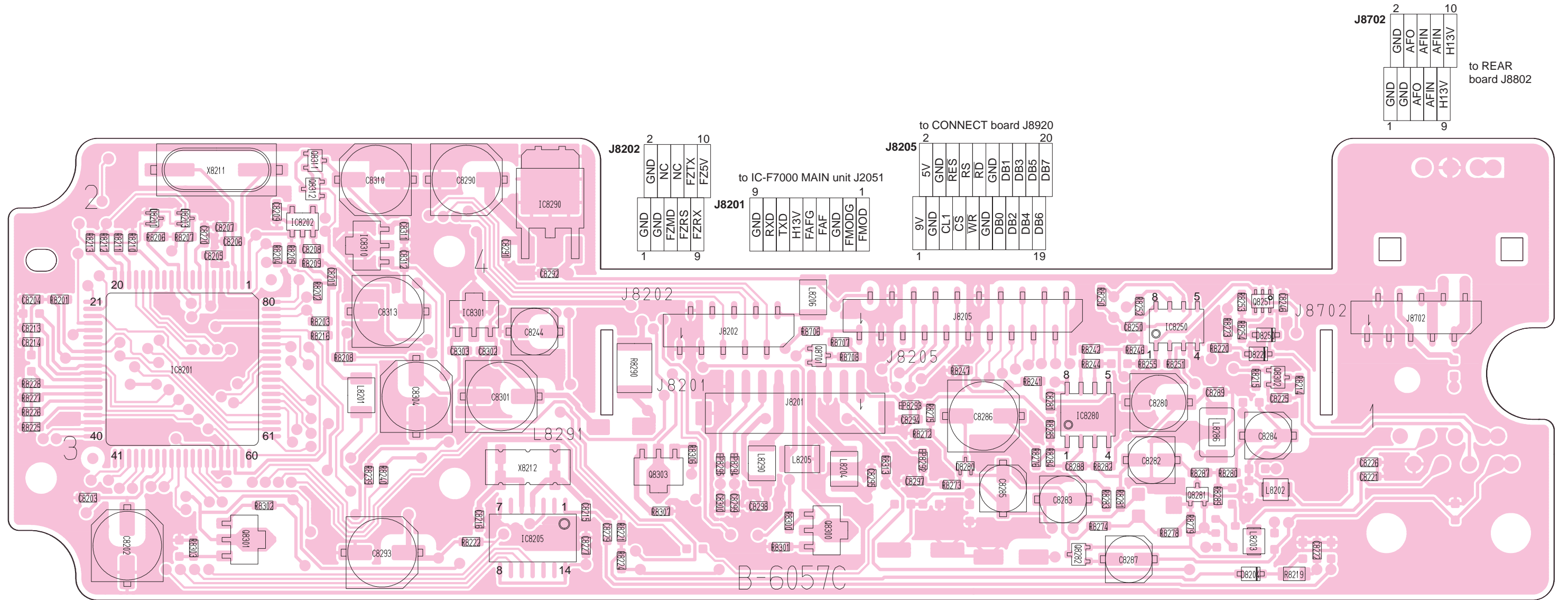
• BOTTOM VIEW (MIC UNIT)



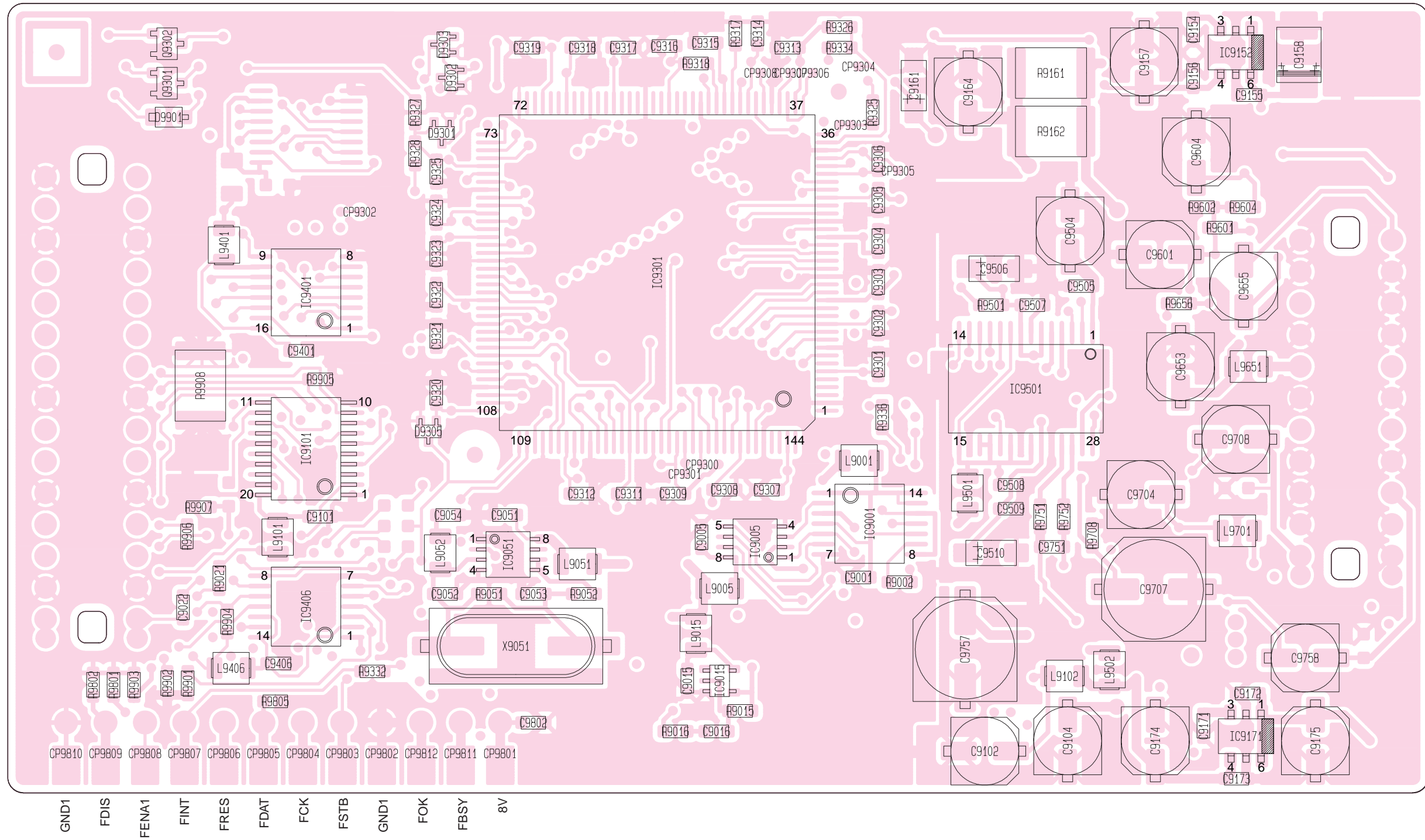
9-2-3 DISPLAY BOARD
• TOP VIEW



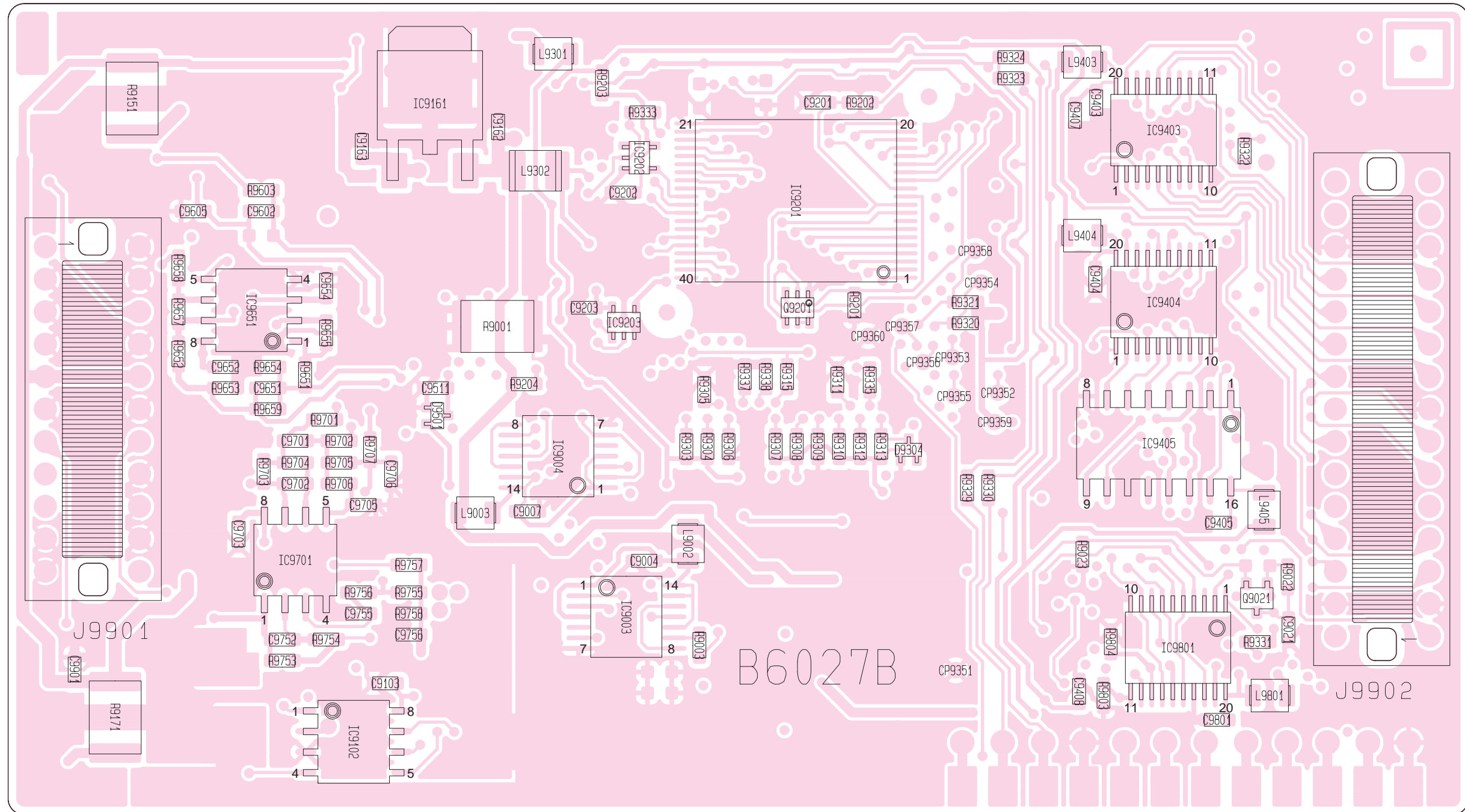
• BOTTOM VIEW (DISPLAY BOARD)



9-3 IC-F7000
9-3-1 DSP BOARD
• TOP VIEW



• BOTTOM VIEW (DSP BOARD)



| MAIN unit J1102 | |
|-----------------|-------|
| 2 | DSPI1 |
| | GND |
| 1 | GND |
| | GND |
| | DSPI2 |
| | GND |
| | GND |
| | 8V |
| | 8V |
| | GND |
| | GND |
| | AGC2 |
| | AGC1 |
| | GND |
| | GND |
| | DSPO1 |
| | GND |
| | GND |
| | GND |
| 22 | GND |
| | DSPO2 |
| 21 | |

| J9901 | |
|-------|-------|
| 1 | DSPI1 |
| | GND |
| 2 | GND |
| | GND |
| | DSPI2 |
| | GND |
| | GND |
| | 8V |
| | 8V |
| | GND |
| | GND |
| | AGC2 |
| | AGC1 |
| | GND |
| | GND |
| | DSPO1 |
| | GND |
| | GND |
| | GND |
| 21 | GND |
| | DSPO2 |
| 22 | |

to MAIN unit J1102

| J9902 | |
|-------|-------|
| 30 | DRES |
| | GND1 |
| 29 | DSKY |
| | UNLK |
| | GND1 |
| | GND1 |
| | NC |
| | OUT8 |
| | VSQ1 |
| | OUT6 |
| | ALE2 |
| | TRFO |
| | CWST |
| | ALE1 |
| | GND1 |
| | GND1 |
| | OBSY |
| | STBO |
| | RQO |
| | DO |
| | GND1 |
| | GND1 |
| | CK |
| | DI |
| | RQ1 |
| | IBSY |
| | GND1 |
| | GND1 |
| 2 | CK_IN |
| | 192K |
| 1 | |

to MAIN unit J1101

| MAIN unit J1101 | |
|-----------------|-------|
| 29 | DRES |
| | GND1 |
| 30 | DSKY |
| | UNLK |
| | GND1 |
| | GND1 |
| | NC |
| | OUT8 |
| | VSQ1 |
| | OUT6 |
| | ALE2 |
| | TRFO |
| | CWST |
| | ALE1 |
| | GND1 |
| | GND1 |
| | OBSY |
| | STBO |
| | RQO |
| | DO |
| | GND1 |
| | GND1 |
| | CK |
| | DI |
| | RQ1 |
| | IBSY |
| | GND1 |
| | GND1 |
| 1 | CK_IN |
| | 192K |
| 2 | |

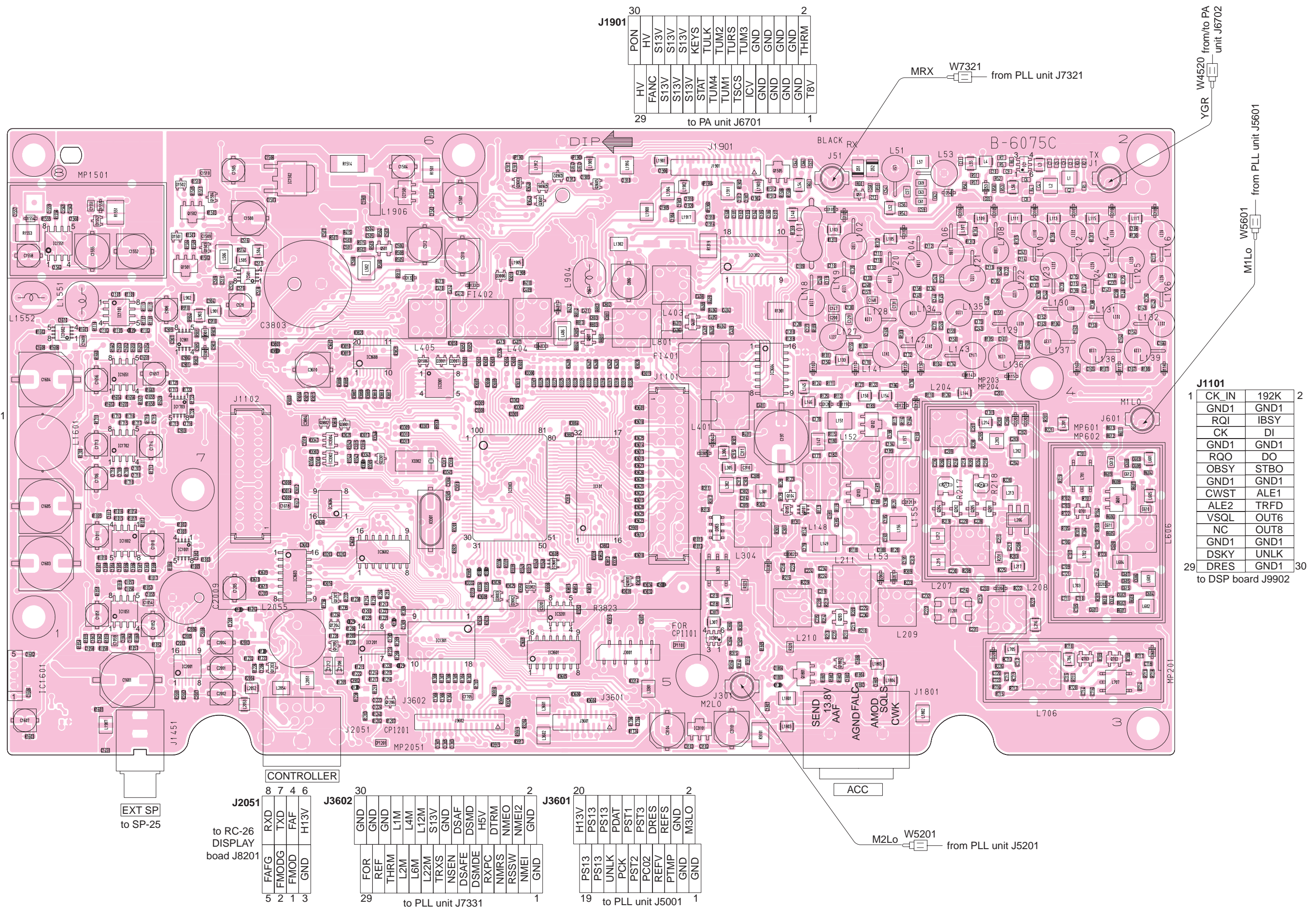
9-3-2 MAIN UNIT
• TOP VIEW

| J1102 | | | |
|-------|-------|-------|----|
| 22 | GND | DSPO2 | 21 |
| | GND | GND | |
| | DSPO1 | GND | |
| | GND | GND | |
| | AGC2 | AGC1 | |
| | GND | GND | |
| | 8V | 8V | |
| | GND | GND | |
| | GND | DSP12 | |
| | GND | GND | |
| 2 | DSP11 | GND | 1 |

to DSP board J9901

| J1101 | | | |
|-------|-------|------|----|
| 1 | CK_IN | 192K | 2 |
| | GND1 | GND1 | |
| | RQI | IBSY | |
| | CK | DI | |
| | GND1 | GND1 | |
| | RQO | DO | |
| | OBSY | STBO | |
| | GND1 | GND1 | |
| | CWST | ALE1 | |
| | ALE2 | TRFD | |
| | VSQI | OUT6 | |
| | NC | OUT8 | |
| | GND1 | GND1 | |
| | DSKY | UNLK | |
| 29 | DRES | GND1 | 30 |

to DSP board J9902



| J1901 | | |
|-------|------|---|
| 30 | PON | 2 |
| | HV | |
| | FANC | |
| | S13V | |
| | S13V | |
| | S13V | |
| | S13V | |
| | KEYS | |
| | STAT | |
| | TUM4 | |
| | TUM2 | |
| | TUM1 | |
| | TUM3 | |
| | ICV | |
| | GND | |
| | GND | |
| | GND | |
| | GND | |
| 29 | T8V | 1 |

to PA unit J6701

MRX W7321 from PLL unit J7321

YGR W4520 from/to PA unit J6702

M1Lo W5601 from PLL unit J5601

| J1101 | | | |
|-------|-------|------|----|
| 1 | CK_IN | 192K | 2 |
| | GND1 | GND1 | |
| | RQI | IBSY | |
| | CK | DI | |
| | GND1 | GND1 | |
| | RQO | DO | |
| | OBSY | STBO | |
| | GND1 | GND1 | |
| | CWST | ALE1 | |
| | ALE2 | TRFD | |
| | VSQI | OUT6 | |
| | NC | OUT8 | |
| | GND1 | GND1 | |
| | DSKY | UNLK | |
| 29 | DRES | GND1 | 30 |

to DSP board J9902

| J2051 | | | | | | | | | |
|-------|-------|---|-----|---|-----|---|------|---|------|
| 5 | FAFG | 8 | RXD | 7 | TXD | 4 | FAF | 6 | H13V |
| | FMODG | | TXD | | FAF | | H13V | | |
| 2 | FMOD | 1 | GND | | | | | | |
| 3 | GND | | | | | | | | |

to RC-26 DISPLAY board J8201

| J3602 | | |
|-------|-------|---|
| 30 | GND | 2 |
| | GND | |
| | L1M | |
| | L4M | |
| | L12M | |
| | S13V | |
| | GND | |
| | DSAF | |
| | DSMID | |
| | RXPC | |
| | H5V | |
| | DTRM | |
| | NMRS | |
| | RSSW | |
| | NMEI2 | |
| | NMEI | |
| 29 | GND | 1 |

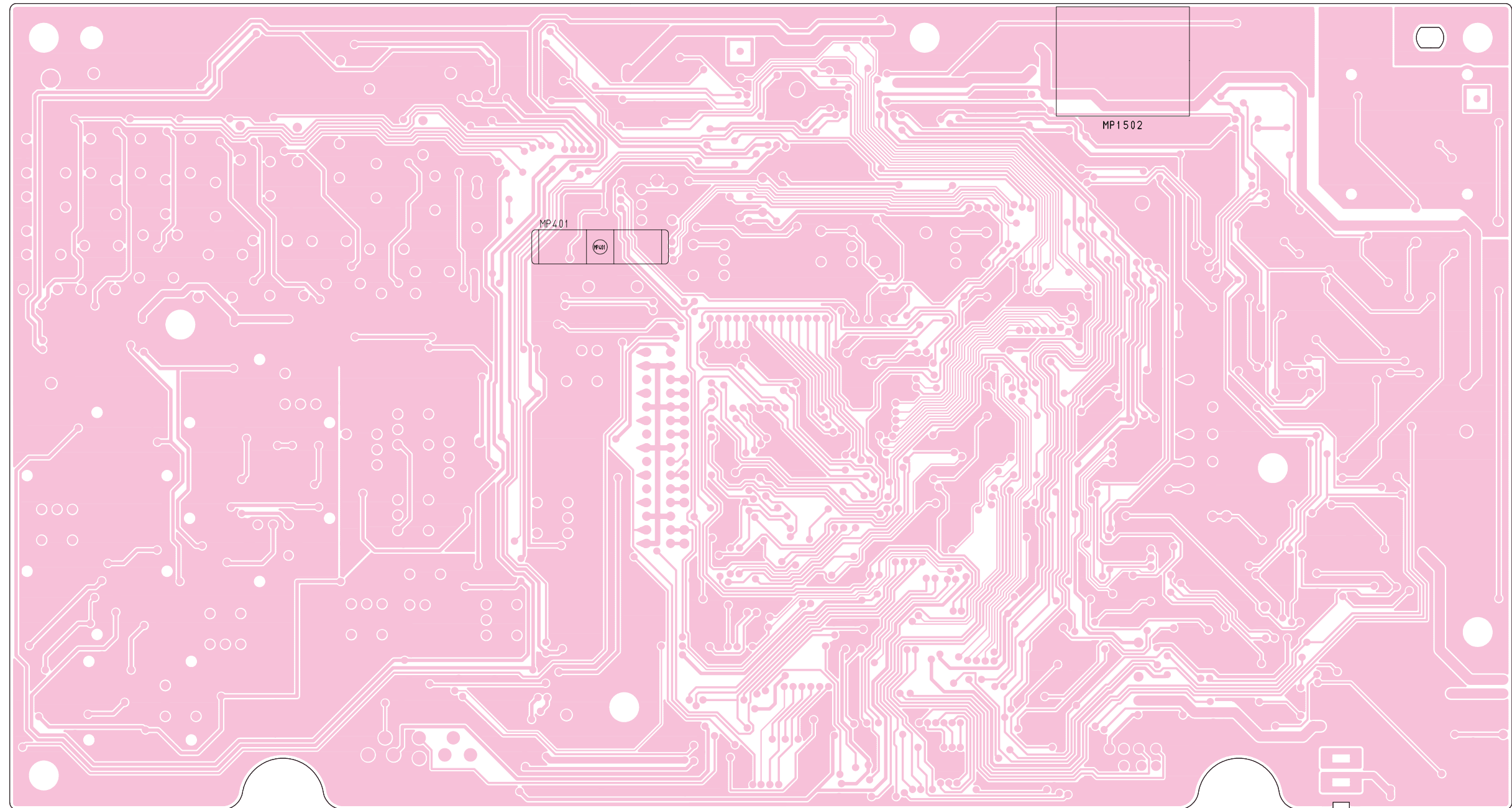
to PLL unit J7331

| J3601 | | |
|-------|------|---|
| 20 | H13V | 2 |
| | PS13 | |
| | PS13 | |
| | UNLK | |
| | PK | |
| | PST1 | |
| | PST2 | |
| | PC02 | |
| | REFV | |
| | PTMP | |
| | REFS | |
| 19 | GND | 1 |
| | M3LO | |

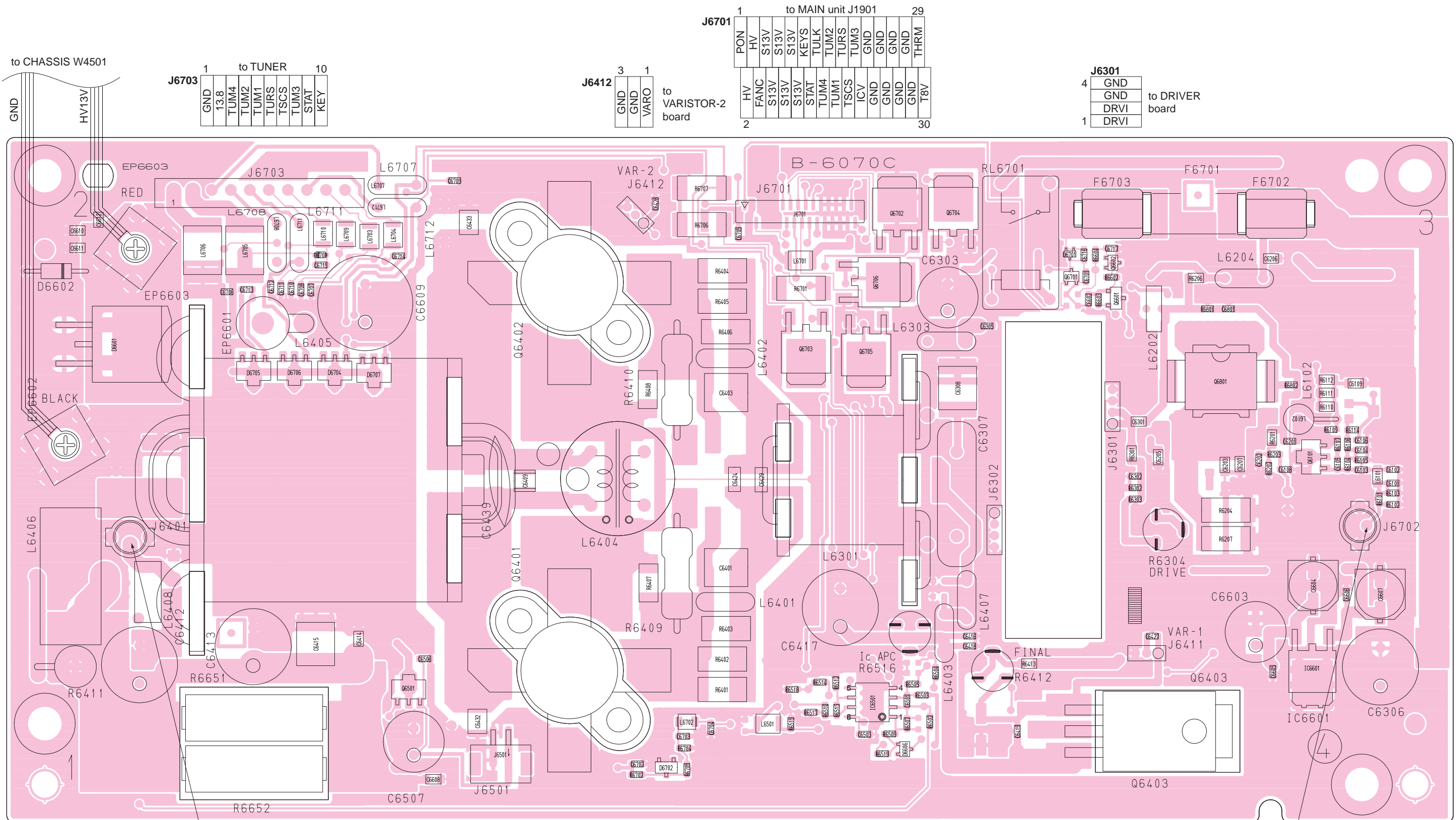
to PLL unit J5001

M2Lo W5201 from PLL unit J5201

• BOTTOM VIEW (MAIN UNIT)



9-3-3 PA UNIT
• TOP VIEW



J6703 to TUNER

| | |
|----|------|
| 1 | GND |
| 2 | 13.8 |
| 3 | TUM4 |
| 4 | TUM2 |
| 5 | TUM1 |
| 6 | TURS |
| 7 | TSCS |
| 8 | TUM3 |
| 9 | STAT |
| 10 | KEY |

J6412 to VARISTOR-2 board

| | |
|---|------|
| 3 | GND |
| 2 | GND |
| 1 | VARO |

J6701 to MAIN unit J1901

| | |
|----|------|
| 1 | PON |
| 2 | HV |
| 3 | FANC |
| 4 | S13V |
| 5 | S13V |
| 6 | S13V |
| 7 | S13V |
| 8 | KEYS |
| 9 | STAT |
| 10 | TUM4 |
| 11 | TUM1 |
| 12 | TUM2 |
| 13 | TUM3 |
| 14 | TUM3 |
| 15 | ICV |
| 16 | GND |
| 17 | GND |
| 18 | GND |
| 19 | GND |
| 20 | GND |
| 21 | GND |
| 22 | GND |
| 23 | GND |
| 24 | GND |
| 25 | GND |
| 26 | GND |
| 27 | GND |
| 28 | GND |
| 29 | THRM |
| 30 | T8V |

J6301 to DRIVER board

| | |
|---|------|
| 4 | GND |
| 3 | GND |
| 2 | DRVI |
| 1 | DRVI |

FLIN W7001 from PLL unit J7001

J6501 to FAN

| | |
|---|------|
| 2 | GND |
| 1 | FAN+ |

J6302 to DRIVER board

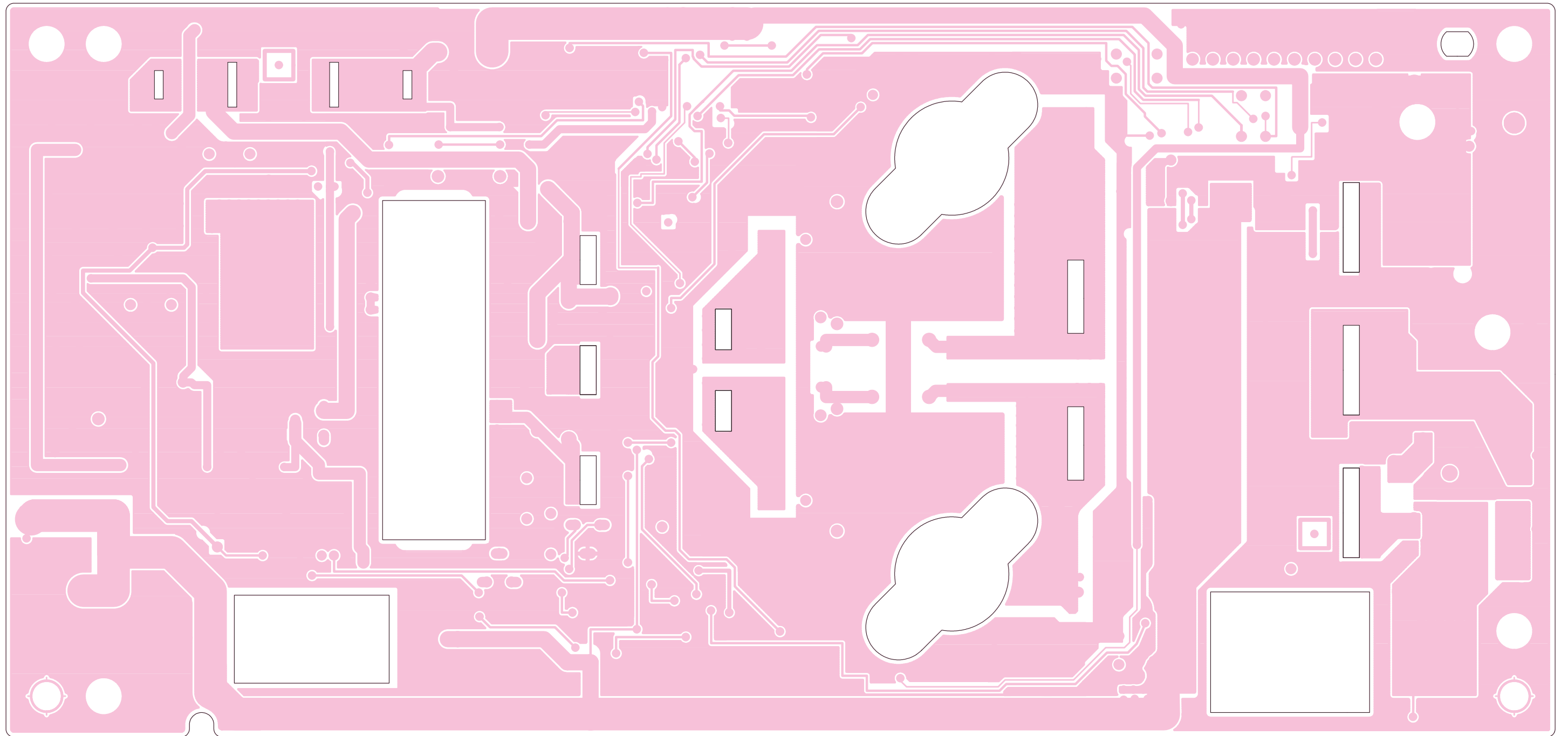
| | |
|---|------|
| 1 | DRVO |
| 2 | DRVO |
| 3 | GND |
| 4 | GND |

from/to MAIN unit J1 YGR

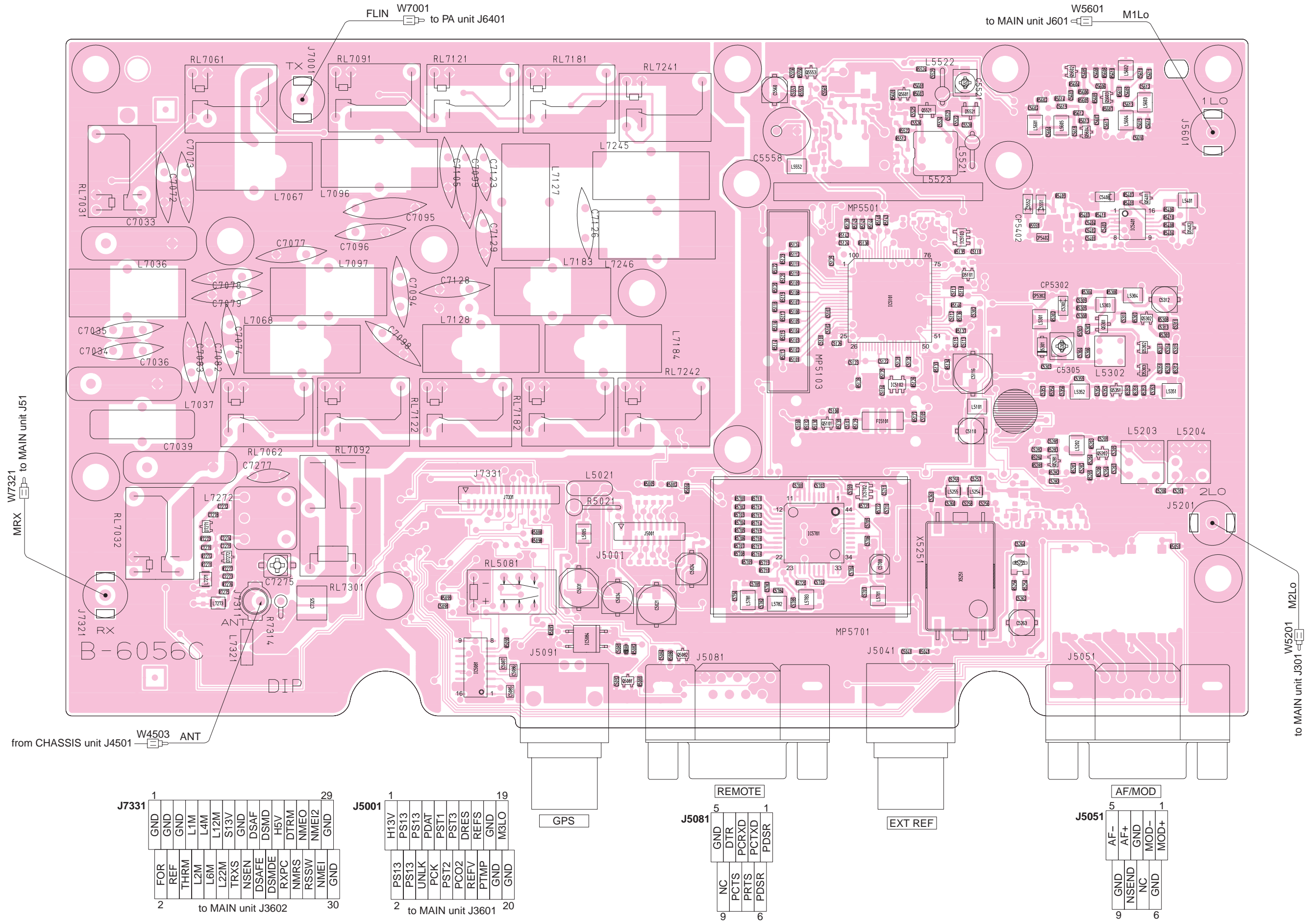
J6411 to VARISTOR-1 board

| | |
|---|------|
| 3 | GND |
| 2 | VARO |
| 1 | VARI |

• BOTTOM VIEW (PA UNIT)



9-3-4 PLL UNIT
• TOP VIEW



J7331

| | | |
|----|-------|-------|
| 1 | GND | 29 |
| 2 | GND | FOR |
| 3 | GND | REF |
| 4 | GND | THRM |
| 5 | L1M | L4M |
| 6 | L4M | L6M |
| 7 | L2M | L2M |
| 8 | L2M | TRXS |
| 9 | S13V | NSEN |
| 10 | GND | DSAF |
| 11 | GND | DSMD |
| 12 | DSAF | H5V |
| 13 | DSMD | DTRM |
| 14 | H5V | NMEO |
| 15 | DTRM | NMIE2 |
| 16 | NMEO | GND |
| 17 | NMIE2 | GND |
| 18 | GND | GND |
| 19 | GND | GND |
| 20 | GND | GND |

to MAIN unit J3602

J5001

| | | |
|----|------|------|
| 1 | H13V | 19 |
| 2 | PS13 | PS13 |
| 3 | PS13 | UNLK |
| 4 | PS13 | PDAT |
| 5 | PDAT | PST1 |
| 6 | PST1 | PST3 |
| 7 | PST3 | PCO2 |
| 8 | PCO2 | REFV |
| 9 | REFV | PTMP |
| 10 | PTMP | GND |
| 11 | GND | M3LO |
| 12 | M3LO | GND |
| 13 | GND | GND |
| 14 | GND | GND |
| 15 | GND | GND |
| 16 | GND | GND |
| 17 | GND | GND |
| 18 | GND | GND |
| 19 | GND | GND |
| 20 | GND | GND |

to MAIN unit J3601

J5081

| | | |
|---|-------|------|
| 5 | GND | 1 |
| 6 | DTR | PDSR |
| 7 | PCRXD | PDSR |
| 8 | PCTXS | PDSR |
| 9 | NC | PDSR |

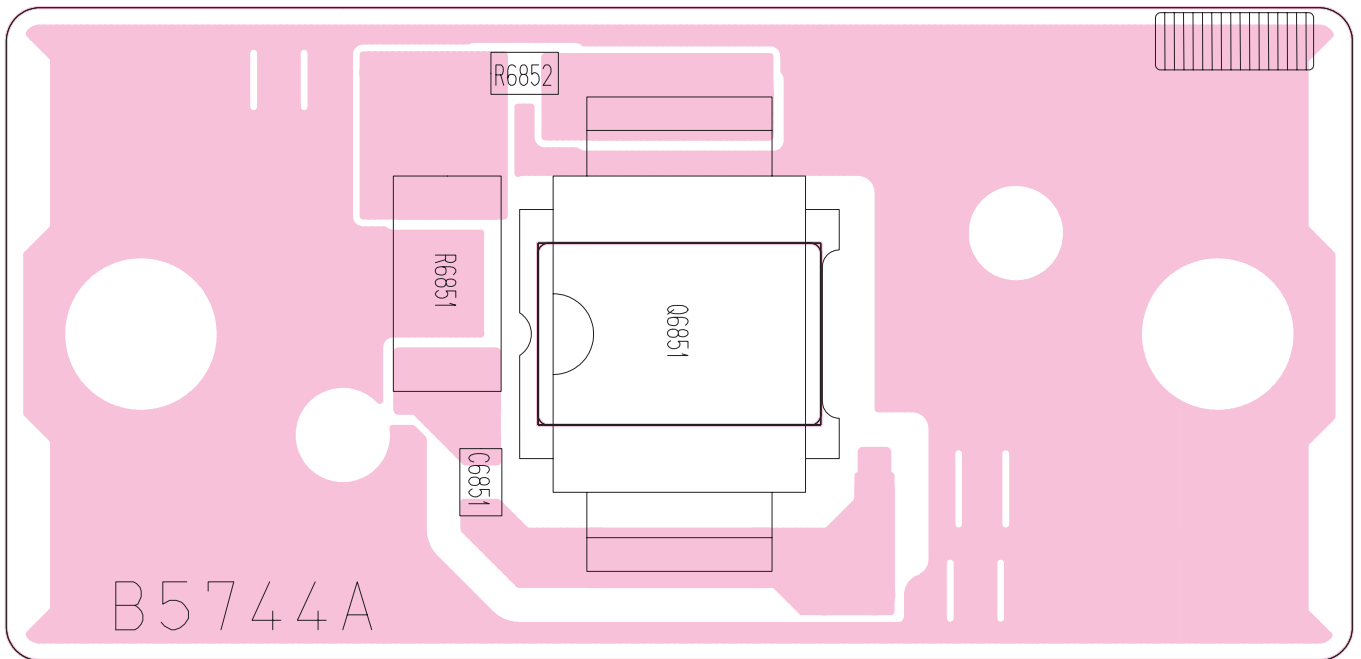
GPS

J5051

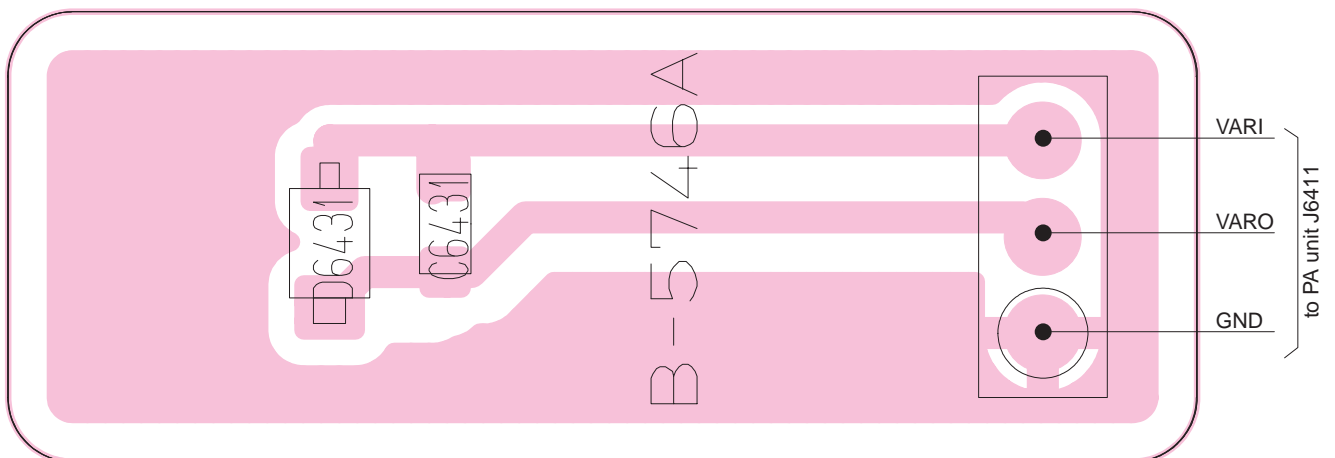
| | | |
|---|-----|------|
| 5 | AF- | 1 |
| 6 | AF+ | GND |
| 7 | GND | NC |
| 8 | NC | MOD+ |
| 9 | GND | MOD+ |

AF/MOD

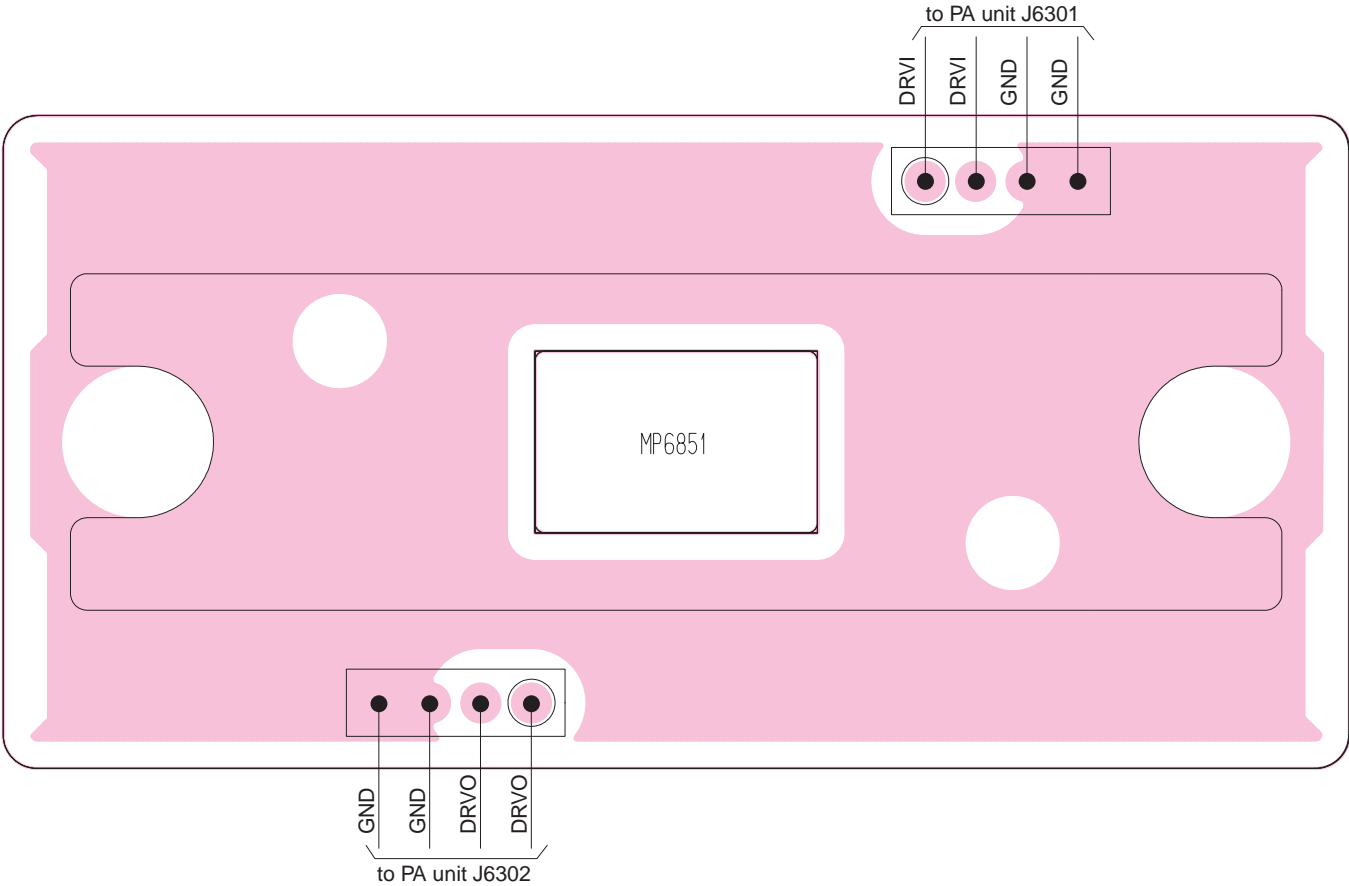
9-3-5 DRIVER BOARD
•TOP VIEW



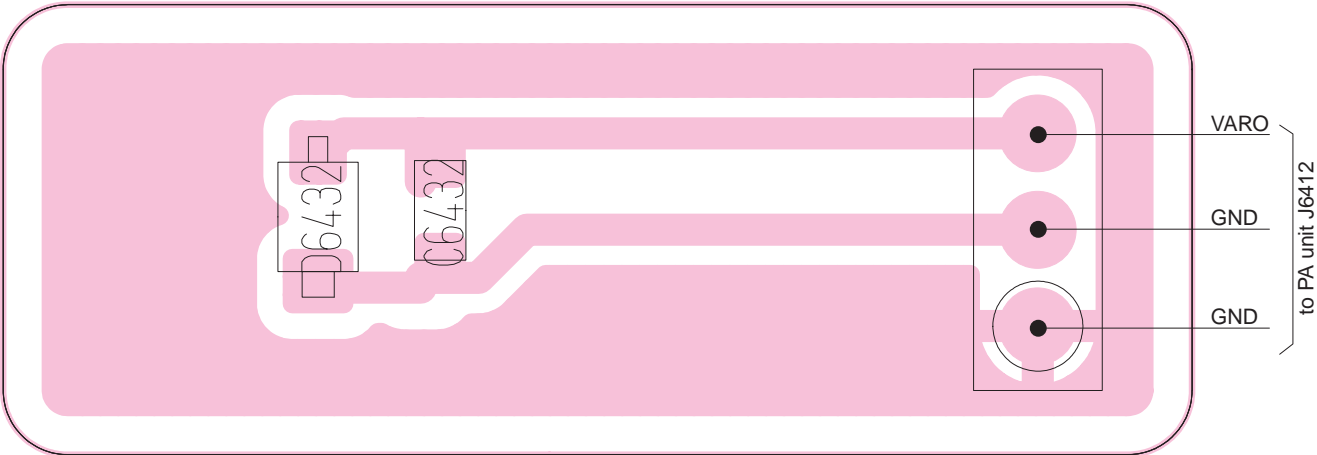
9-3-6 VARISTOR-1 BOARD



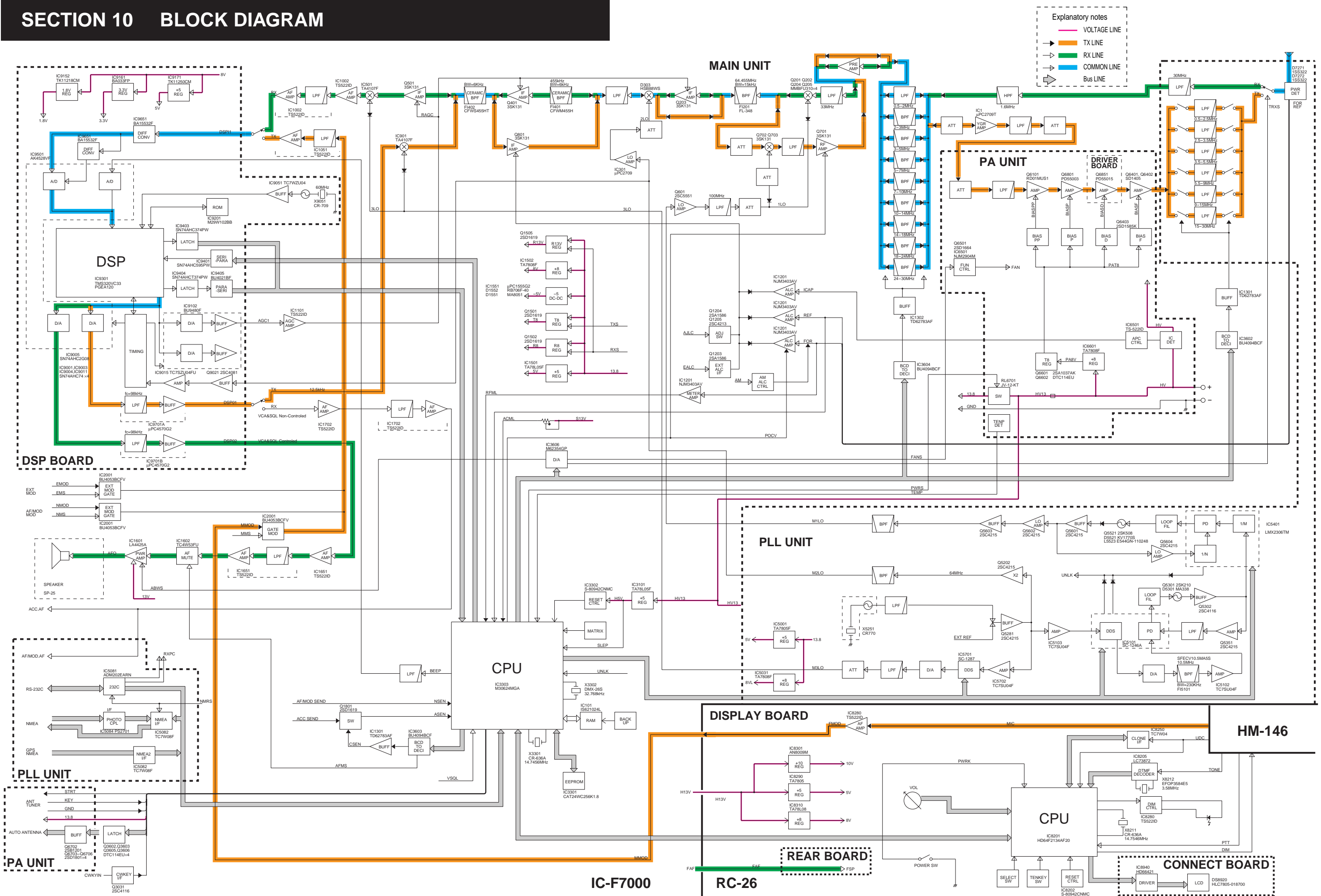
• **BOTTOM VIEW (DRIVER BOARD)**



9-3-7 VARISTOR-2 BOARD

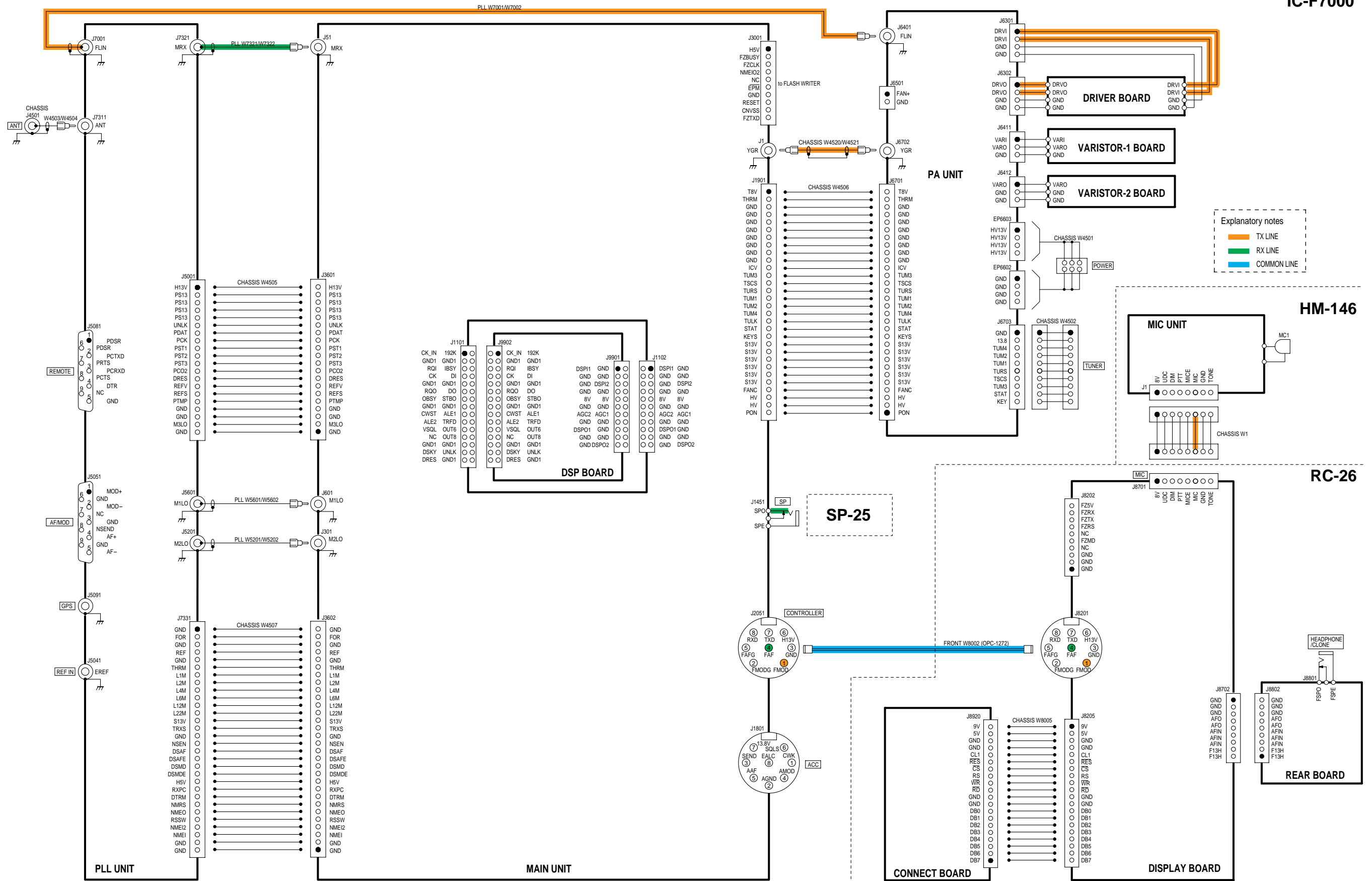


SECTION 10 BLOCK DIAGRAM



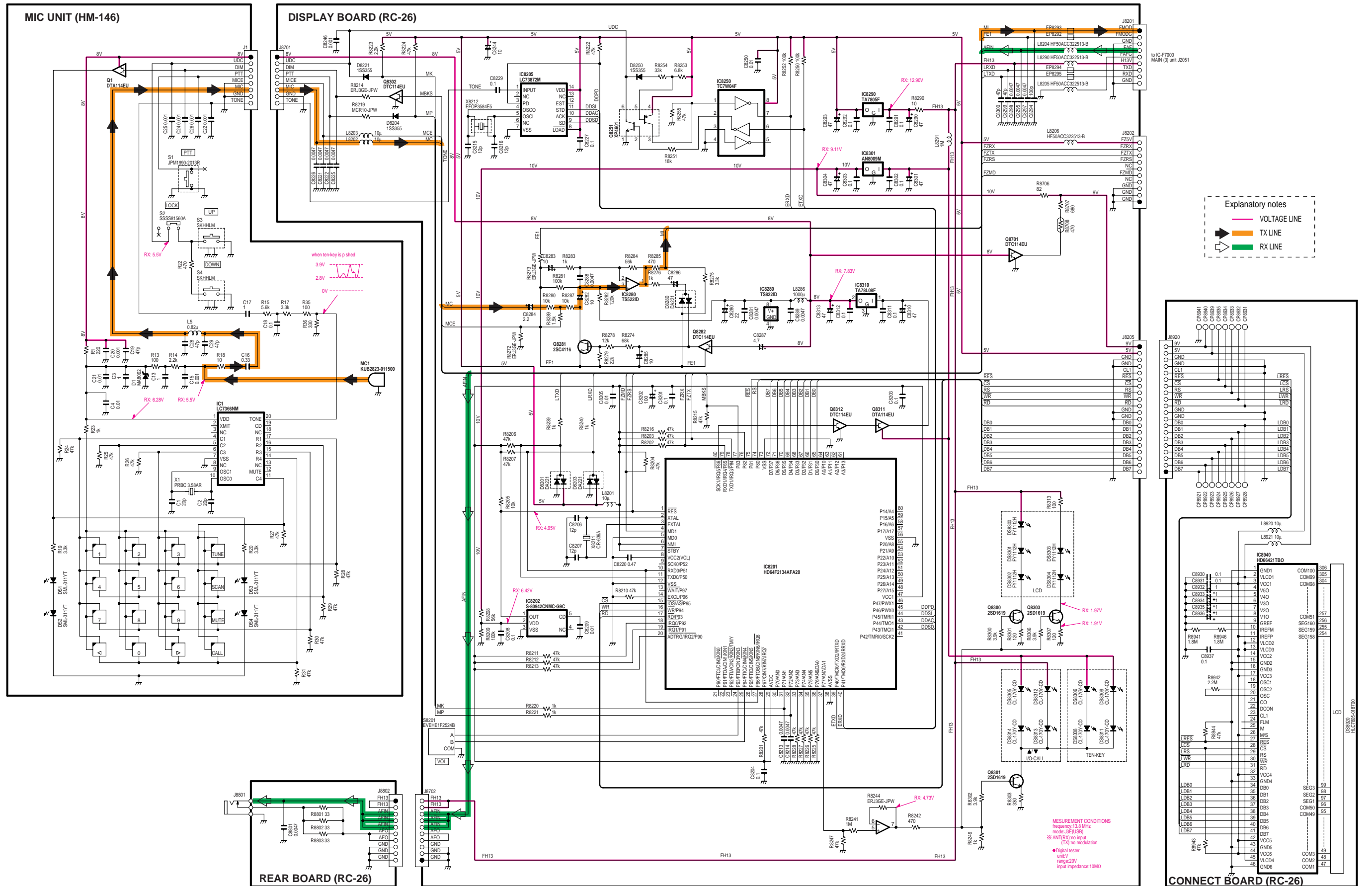
SECTION 11 WIRING DIAGRAM

IC-F7000

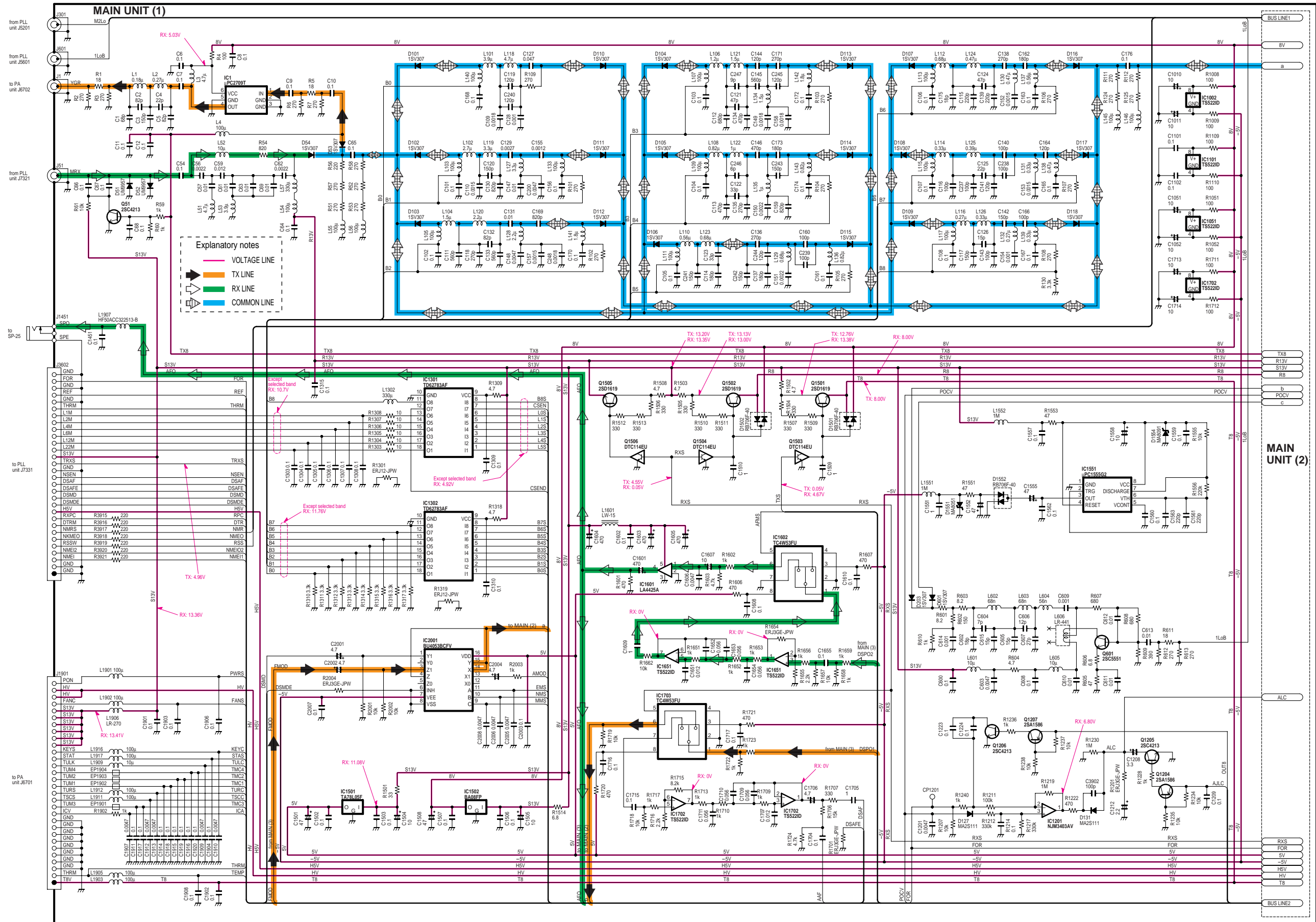


SECTION 12 VOLTAGE DIAGRAMS

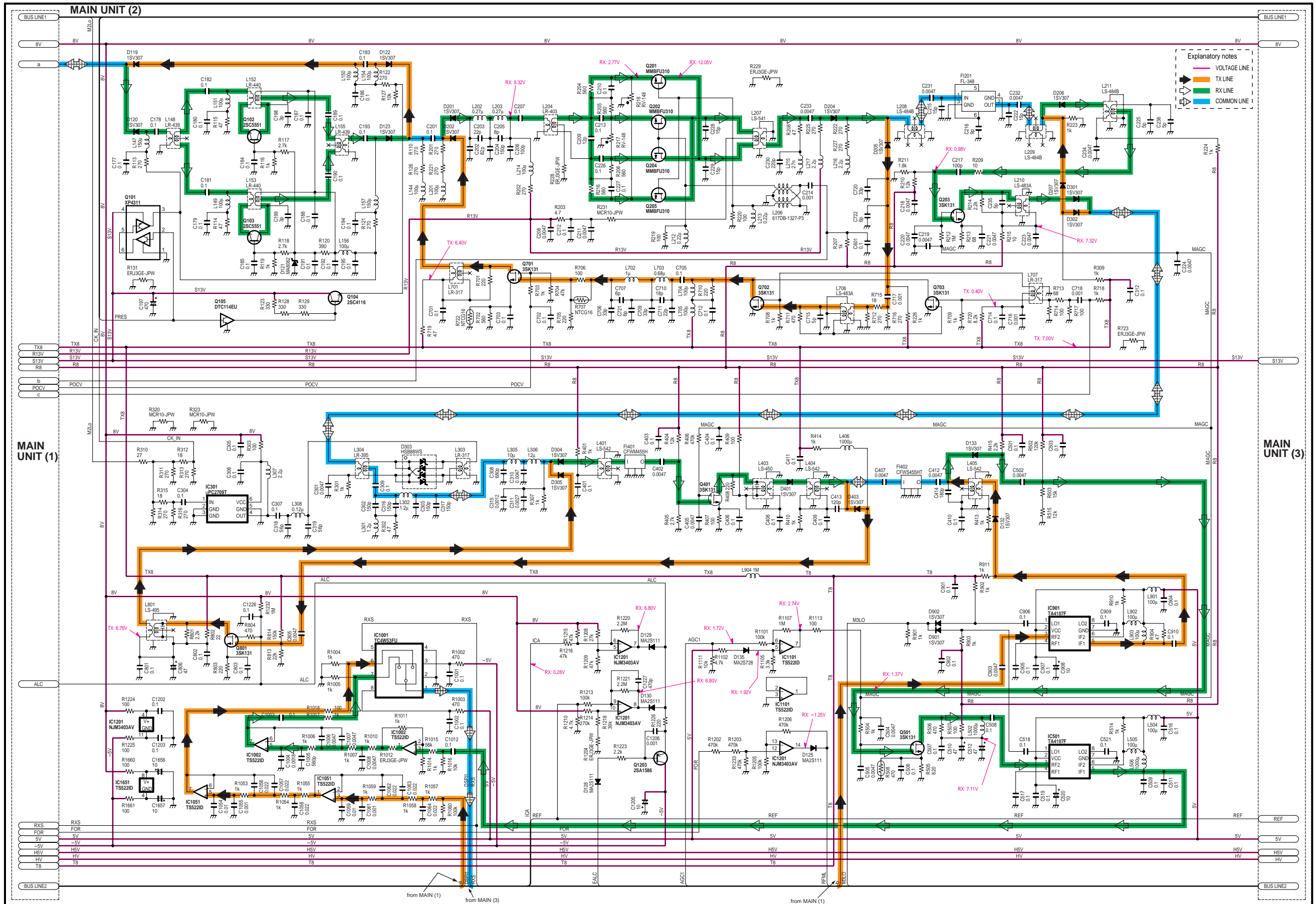
12-1 RC-26 and HM-146



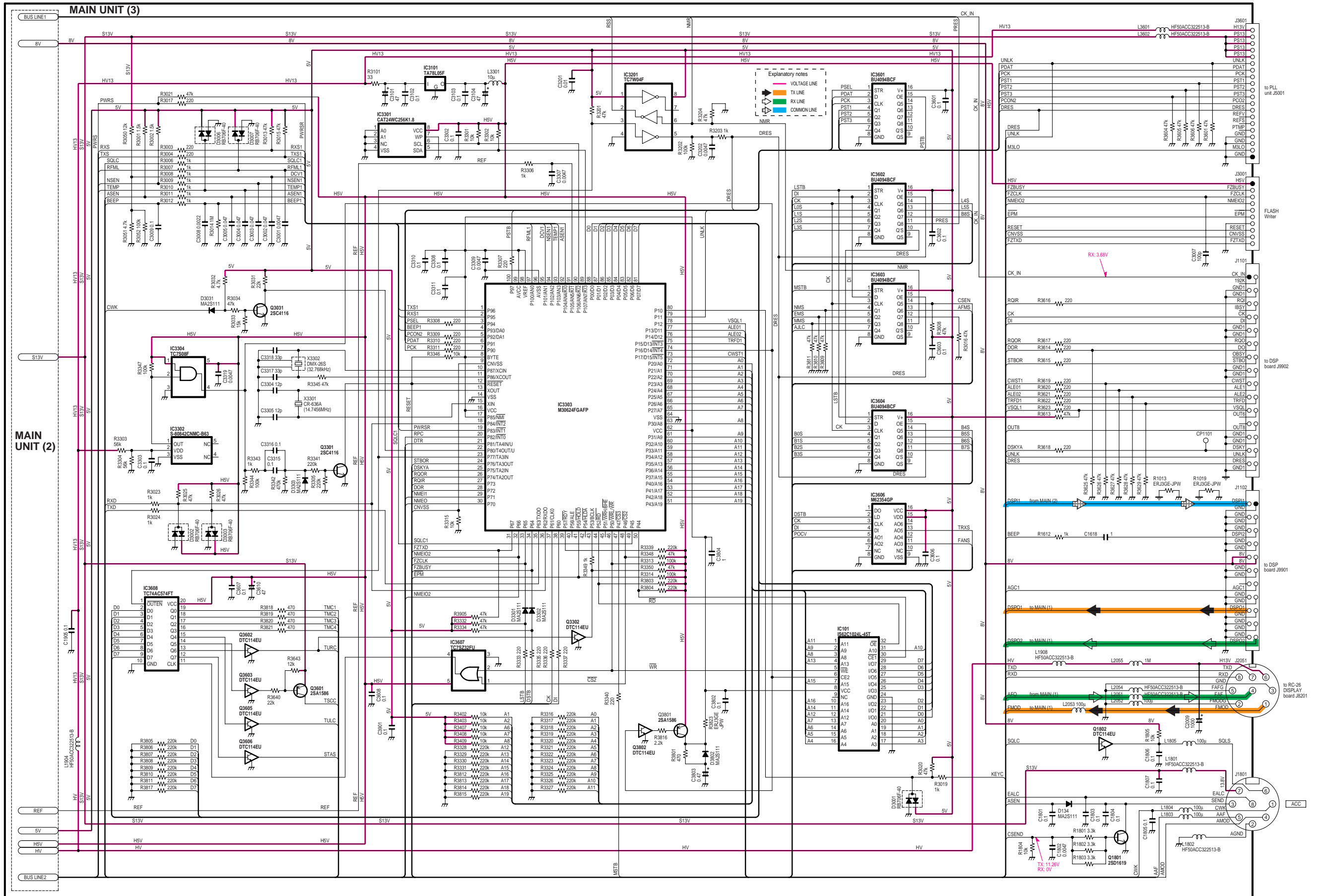
12-2 IC-F7000
12-2-1 MAIN UNIT (1)



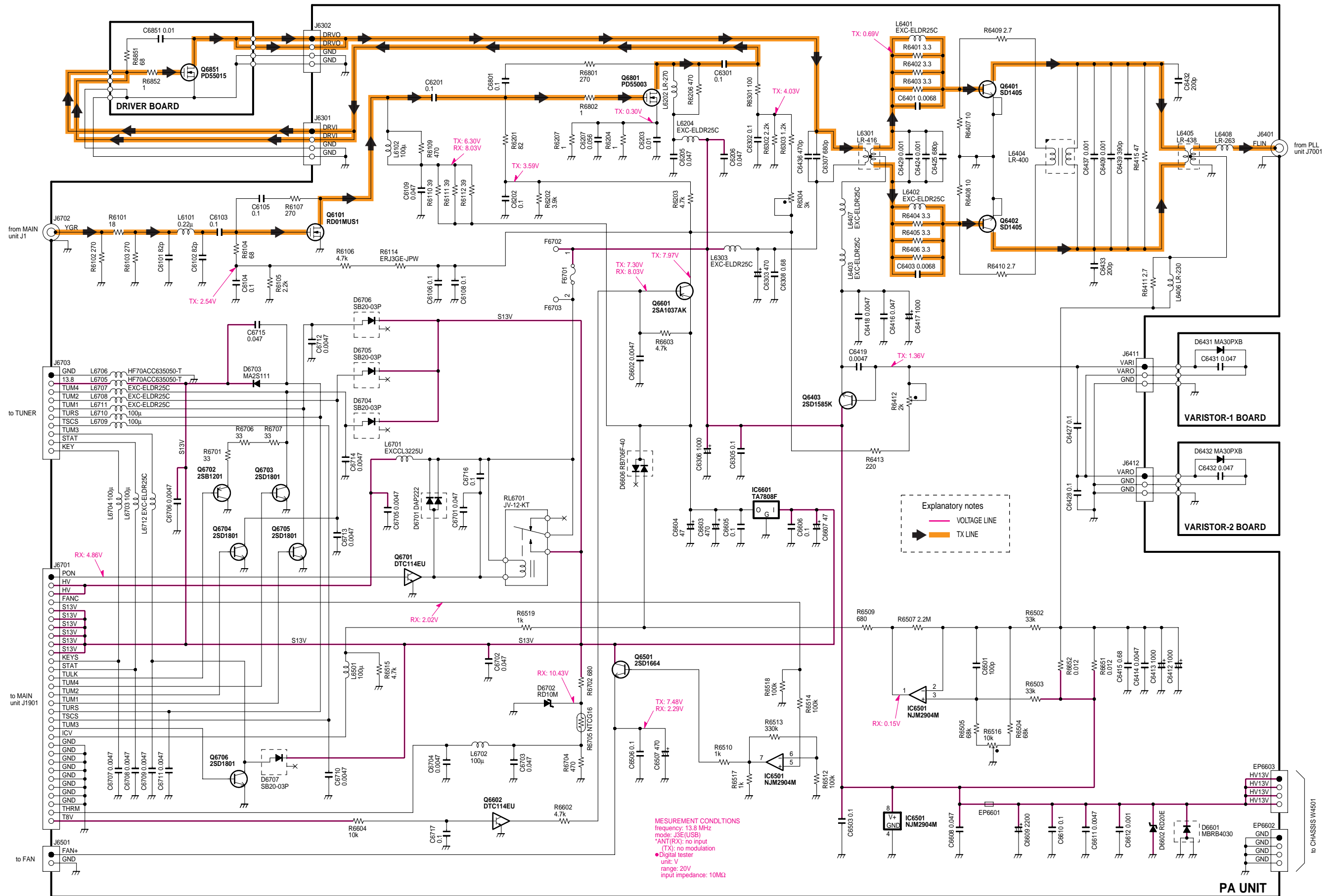
12-2-2 MAIN UNIT (2)



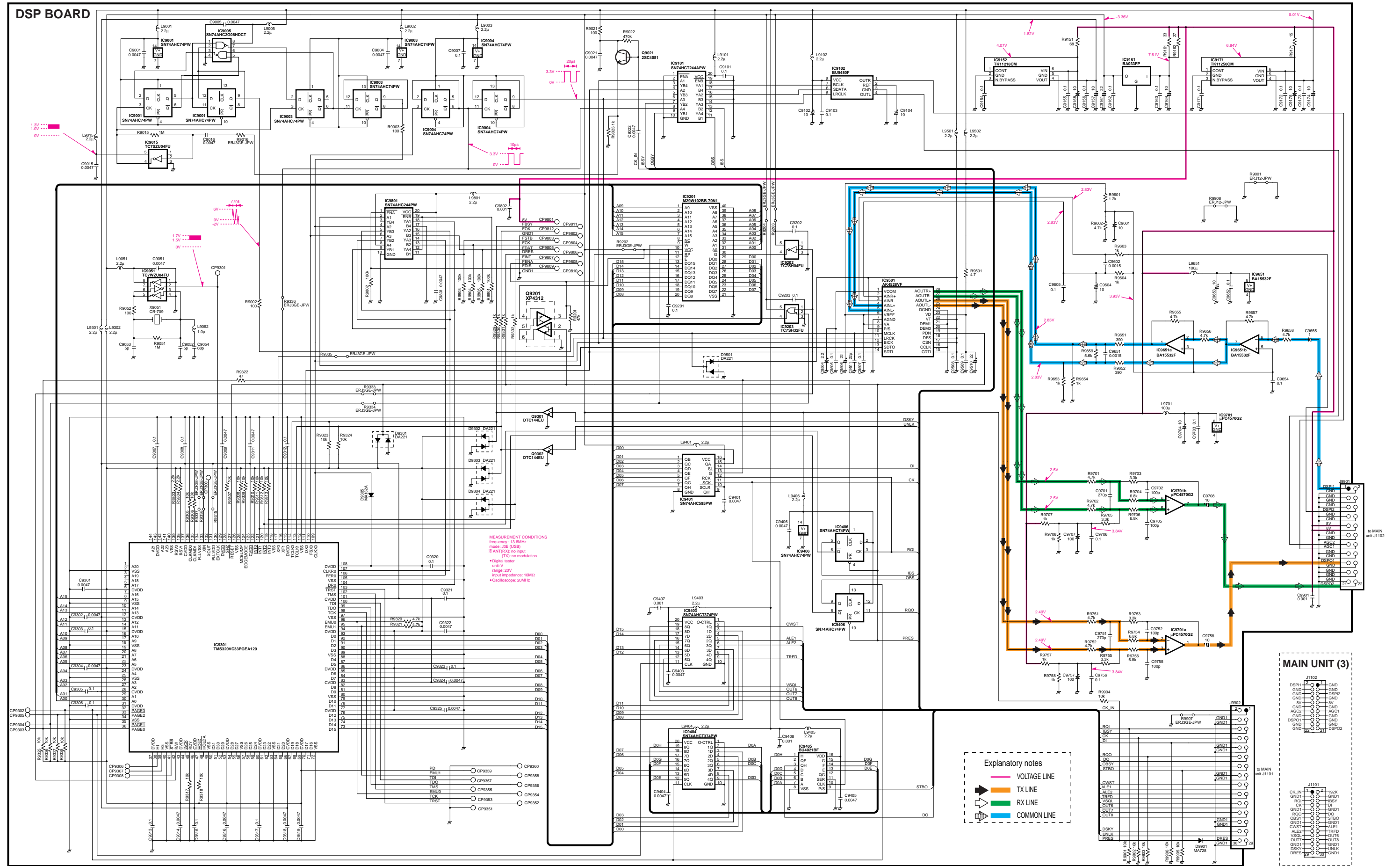
12-2-3 MAIN UNIT (3)



12-2-4 PA UNIT



12-2-7 DSP BOARD



Icom Inc.

1-1-32, Kamiminami, Hirano-ku, Osaka 547-0003, Japan

Phone : +81 (06) 6793 5302

Fax : +81 (06) 6793 0013

URL : <http://www.icom.co.jp/world/index.html>

Icom America Inc.

<Corporate Headquarters>
2380 116th Avenue N.E., Bellevue, WA 98004, U.S.A.
Phone : +1 (425) 454-8155 Fax : +1 (425) 454-1509
URL : <http://www.icomamerica.com>
<Customer Service>
Phone : +1 (425) 454-7619

Icom Canada

Glenwood Centre #150-6165
Highway 17 Delta, B.C., V4K 5B8, Canada
Phone : +1 (604) 952-4266 Fax : +1 (604) 952-0090
URL : <http://www.icomcanada.com>

Icom (Australia) Pty. Ltd.

A.B.N. 88 006 092 575
290-294 Albert Street, Brunswick, Victoria, 3056, Australia
Phone : +61 (03) 9387 0666 Fax : +61 (03) 9387 0022
URL : <http://www.icom.net.au>

Icom New Zealand

146A Harris Road, East Tamaki,
Auckland, New Zealand
Phone : +64 (09) 274 4062 Fax : +64 (09) 274 4708
URL : <http://www.icom.co.nz>

Beijing Icom Ltd.

1305, Wanshang Plaza, Shijingshan Road, Beijing China
Phone : +86 (010) 6866 6337 Fax : +86 (010) 6866 3553
URL : <http://www.bjicom.com>

Icom (Europe) GmbH

Communication Equipment
Himmelgeister Str. 100, D-40225 Düsseldorf, Germany
Phone : +49 (0211) 346047 Fax : +49 (0211) 333639
URL : <http://www.icomeurope.com>

Icom Spain S.L

Crta. de Gracia a Manresa Km. 14,750
08190 Sant Cugat del Valles Barcelona, SPAIN
Phone : +34 (93) 590 26 70 Fax : +34 (93) 589 04 46
URL : <http://www.icomspain.com>

Icom (UK) Ltd.

Unit 9, Sea St., Herne Bay, Kent, CT6 8LD, U.K.
Phone : +44 (01227) 741741 Fax : +44 (01227) 741742
URL : <http://www.icomuk.co.uk>

Icom France S.a

Zac de la Plaine, 1, Rue Brindejonc des Moulinais
BP 5804, 31505 Toulouse Cedex, France
Phone : +33 (5) 61 36 03 03 Fax : +33 (5) 61 36 03 00
URL : <http://www.icom-france.com>

Asia Icom Inc.

6F No. 68, Sec. 1 Cheng-Teh Road, Taipei, Taiwan, R.O.C.
Phone : +886 (02) 2559 1899 Fax : +886 (02) 2559 1874
URL : <http://www.asia-icom.com>

Count on us!

Icom Inc.

1-1-32, Kamiminami, Hirano-ku, Osaka 547-0003, Japan

S-14012HZ-C1
© 2003 Icom Inc.