



SERVICE MANUAL

HF MARINE TRANSCEIVER

IC-M710

INTRODUCTION

This service manual describes the latest service information for the **IC-M710** HF MARINE TRANSCEIVER.

| MODEL | Version | SYMBOL | |
|---------|---------|--------|--------|
| IC-M710 | GEN | GEN-21 | Others |
| | | GEN-22 | Others |
| | | GEN-23 | GMDSS |
| | EUR | EUR-21 | Others |
| | | EUR-22 | GMDSS |

To upgrade quality, any electrical or mechanical parts and internal circuits are subject to change without notice or obligation.

DANGER

NEVER connect the transceiver to an AC outlet or to a DC power supply that uses more than 16 V. This will ruin the transceiver.

DO NOT expose the transceiver to rain, snow or any liquids.

DO NOT reverse the polarities of the power supply when connecting the transceiver.

DO NOT apply an RF signal of more than 20 dBm (100 mW) to the antenna connector. This could damage the transceiver's front end.



ORDERING PARTS

Be sure to include the following four points when ordering replacement parts:

1. 10-digit order numbers
2. Component part number and name
3. Equipment model name and unit name
4. Quantity required

<SAMPLE ORDER>

1160000130 S.IC TD62783AF IC-M710 MAIN UNIT 5 pieces
8810008560 Screw PH M3x8 SUS ZK IC-M710 Top cover 10 pieces
Addresses are provided on the inside back cover for your convenience.

REPAIR NOTES

1. Make sure a problem is internal before disassembling the transceiver.
2. **DO NOT** open the transceiver until the transceiver is disconnected from its power source.
3. **DO NOT** force any of the variable components. Turn them slowly and smoothly.
4. **DO NOT** short any circuits or electronic parts. An insulated tuning tool **MUST** be used for all adjustments.
5. **DO NOT** keep power ON for a long time when the transceiver is defective.
6. **DO NOT** transmit power into a signal generator or a sweep generator.
7. **ALWAYS** connect a 50 dB to 60 dB attenuator between the transceiver and a deviation meter or spectrum analyzer when using such test equipment.
8. **READ** the instructions of test equipment thoroughly before connecting equipment to the transceiver.

TABLE OF CONTENTS

| | | |
|-------------------|---|--------|
| SECTION 1 | SPECIFICATIONS | |
| SECTION 2 | INSIDE VIEWS | |
| SECTION 3 | CIRCUIT DESCRIPTION | |
| 3 - 1 | RECEIVER CIRCUITS | 3 - 1 |
| 3 - 2 | TRANSMITTER CIRCUITS | 3 - 3 |
| 3 - 3 | PLL CIRCUITS | 3 - 5 |
| 3 - 4 | DC-DC CONVERTER CIRCUIT | 3 - 6 |
| 3 - 5 | CPU PORT ALLOCATIONS | 3 - 7 |
| SECTION 4 | ADJUSTMENT PROCEDURES | |
| 4 - 1 | PREPARATION BEFORE SERVICING | 4 - 1 |
| 4 - 2 | PLL ADJUSTMENT | 4 - 2 |
| 4 - 3 | POWER VOLTAGE ADJUSTMENT | 4 - 2 |
| 4 - 4 | TRANSMITTER ADJUSTMENT | 4 - 4 |
| 4 - 5 | RECEIVER ADJUSTMENT | 4 - 8 |
| SECTION 5 | PARTS LIST | |
| SECTION 6 | MECHANICAL PARTS AND DISASSEMBLY | |
| SECTION 7 | SEMI-CONDUCTOR INFORMATION | |
| SECTION 8 | BOARD LAYOUTS | |
| 8 - 1 | LOGIC UNIT | 8 - 1 |
| 8 - 2 | SENSOR1/2 BOARD | 8 - 1 |
| 8 - 3 | MIC BOARD | 8 - 1 |
| 8 - 4 | VR1 BOARD | 8 - 1 |
| 8 - 5 | VR2 BOARD | 8 - 1 |
| 8 - 6 | MAIN UNIT | 8 - 3 |
| 8 - 7 | PLL UNIT | 8 - 5 |
| 8 - 8 | PLL-A UNIT | 8 - 7 |
| 8 - 9 | PA150W BOARD | 8 - 9 |
| 8 - 10 | FILTER BOARD | 8 - 11 |
| 8 - 11 | TERMINAL BOARD | 8 - 12 |
| 8 - 12 | REG BOARD | 8 - 13 |
| 8 - 13 | ALARM BOARD | 8 - 13 |
| SECTION 9 | BLOCK DIAGRAM | |
| SECTION 10 | VOLTAGE DIAGRAMS | |
| 10 - 1 | FRONT UNIT | 10 - 1 |
| 10 - 2 | MAIN UNIT | 10 - 2 |
| 10 - 3 | PLL UNIT | 10 - 5 |
| 10 - 4 | PLL-A UNIT | 10 - 6 |
| 10 - 5 | PA150W, TERMINAL, FILTER AND REG BOARDS | 10 - 7 |

SECTION 1 SPECIFICATIONS

■ GENERAL

| | | | |
|--|---|---|---------------------|
| • Frequency coverage | : Receive | 0.5000 kHz–29.9999 MHz | |
| | Transmit | 1.6000–2.9999 MHz | 4.0000–4.9999 MHz |
| | | 6.0000–6.9999 MHz | 8.0000–8.9999 MHz |
| | | 12.0000–13.9999 MHz | 16.0000–17.9999 MHz |
| | | 18.0000–19.9999 MHz | 22.0000–22.9999 MHz |
| | | 25.0000–27.5000 MHz | |
| • Mode | : J3E (USB), H3E (AM), J2B (AFSK), F1B (FSK), R3E, A1A (CW) | | |
| | | (Available modes differ according to versions) | |
| • Number of channels | : 1136 channels (max.) | | |
| | | [160 (user programmable), 242 (ITU SSB duplex), 72 (ITU simplex), 662 (ITU FSK duplex)] | |
| • Antenna impedance | : 50 Ω (nominal) | | |
| • Usable temperature range | : –30°C to +60°C; –22°F to +140°F | | |
| | | (Specifications are guaranteed with –20°C to +40°C; –4°F to +104°F) | |
| • Frequency stability | : ± 10 Hz (–30°C to +60°C; –22°F to +140°F) | | |
| | | (± 20 Hz above 15 MHz for [GEN-21], [GEN-22], [EUR-21].) | |
| • Power supply requirement | : 13.6 V DC $\pm 15\%$ Negative ground | | [GEN] |
| | | 13.6 V DC $\pm 15\%$ Floating ground | [EUR] |
| • Current drain (at 13.6 V DC) | : Transmit (max. output power) | 30 A | |
| | Receive (max. audio output) | 2.5 A | [GEN] |
| | | 3 A | [EUR] |
| • Dimensions (projections not included) | : 291.4(W) \times 315(D) \times 116.4(H) mm | | |
| | | 11 $\frac{1}{2}$ (H) \times 12 $\frac{11}{32}$ (W) \times 4 $\frac{19}{32}$ (D) in | |
| • Weight | : 7.9 kg; 17 $\frac{13}{32}$ lb | | [Others] |
| | | | [GMDSS] |

■ TRANSMITTER

| | | |
|---------------------------------|--|---------|
| • Output power (at 13.6 V DC) | : 150, 60, 20 W PEP (60, 20 W PEP only above 25 MHz) | [GEN] |
| | 150, 60 W PEP (60 W PEP only above 25 MHz) | [EUR] |
| | 125 W PEP (85 W PEP MF and 25 MHz bands) | [GMDSS] |
| • Spurious emissions | : –65 dB | [GEN] |
| | –60 dB | [EUR] |
| • Carrier suppressions | : 40 dB | |
| • unwanted sideband suppression | : 55 dB | |
| • Microphone impedance | : 600 Ω | |

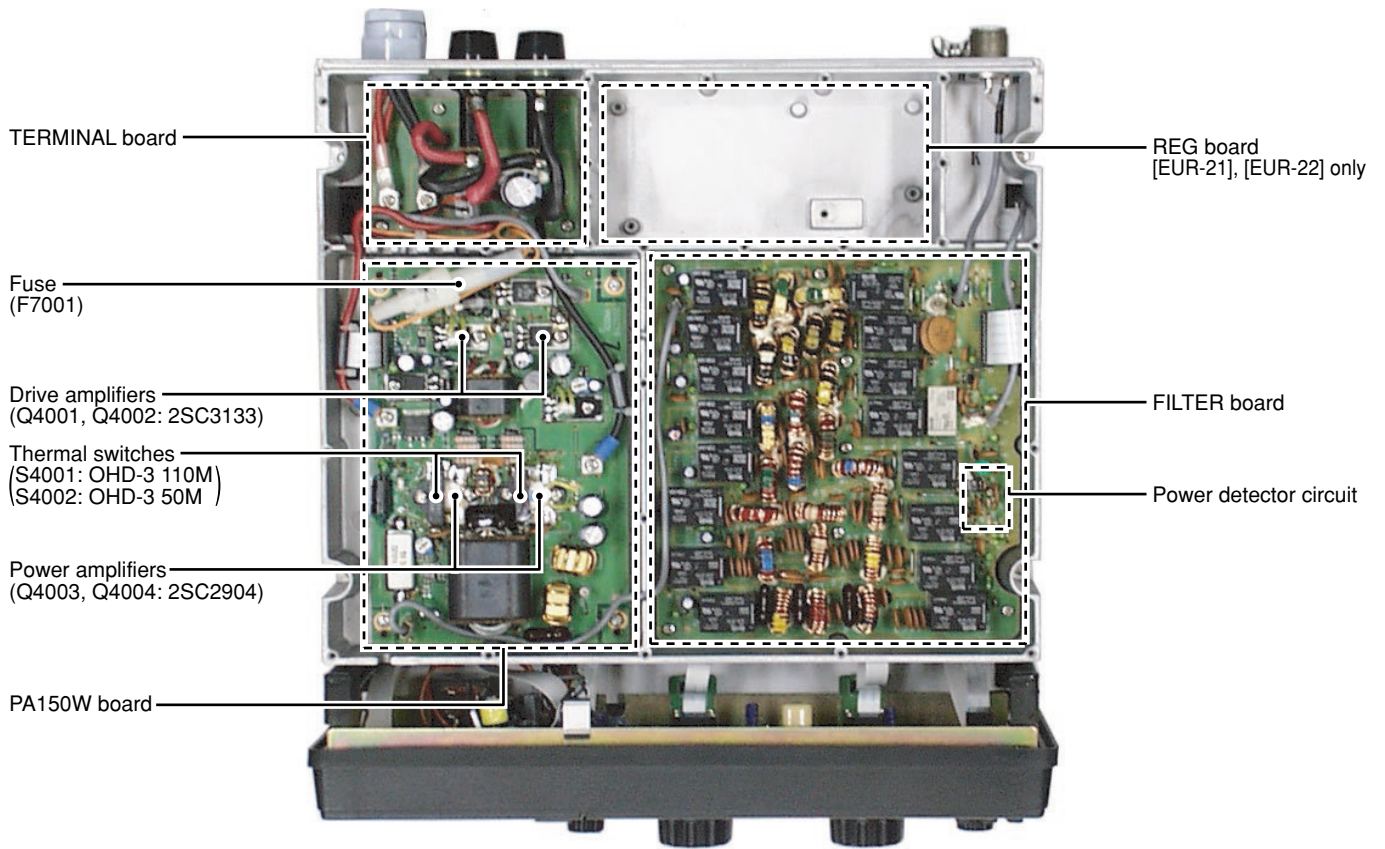
■ RECEIVER

| | | |
|---|--|----------------------------------|
| • Sensitivity | : | |
| J3E, R3E, J2B, A1A, F1B (for 12dB SINAD) | | 0.5 μ V (1.8000–29.9999 MHz) |
| | | 1.0 μ V (1.6000–1.7999 MHz) |
| | | 6.3 μ V (0.5000–1.5999 MHz) |
| H3E (for 10dB S/N) | | 3.2 μ V (1.8000–29.9999 MHz) |
| | | 6.3 μ V (1.6000–1.7999 MHz) |
| | | 32 μ V (0.5000–1.5999 MHz) |
| • Spurious response rejection | : 70 dB (1.6000–29.9999 MHz) | |
| • Audio output power | : 4.5 W (at 10% distortion with a 4 Ω load) | |
| • Audio impedance | : 4 to 8 Ω | |
| • Clarity variable range | : ± 150 Hz | |

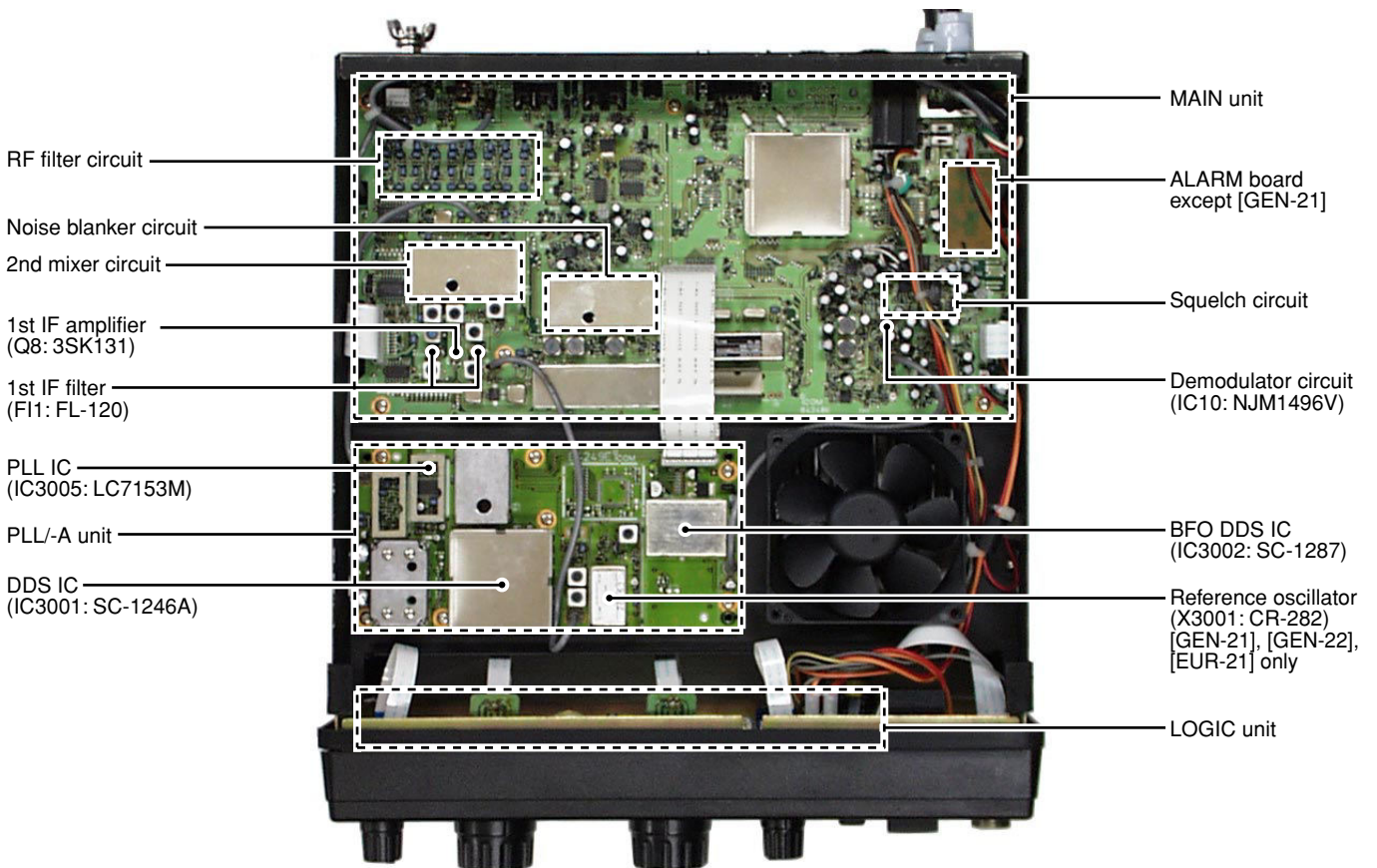
All stated specifications are subject to change without notice or obligation.

SECTION 2 INSIDE VIEWS

• PA150W, FILTER AND TERMINAL BOARDS



• MAIN, PLL AND LOGIC UNITS



SECTION 3 CIRCUIT DESCRIPTION

3-1 RECEIVER CIRCUITS

3-1-1 RF FILTER CIRCUIT (MAIN UNIT)

Received signals from the antenna connector pass through the transmit/receive switching relay (FILTER board RL4317) and are then applied to the MAIN unit via J2.

The signals pass through the protection relay (RL2), 1.6 MHz cut off high-pass filter (L2–L4, C4–C8, C629) and are then applied to one of nine bandpass filters (including one low-pass filter for below 2.0 MHz). These filters are selected by the filter control signals (B0–B8) as described in the table below.

The filtered signals pass through the 30 MHz cut-off low-pass filter (L71, L72, C130–C134, C618), and are then applied to the 1st mixer circuit (Q6, Q7).

• RF FILTERS USED

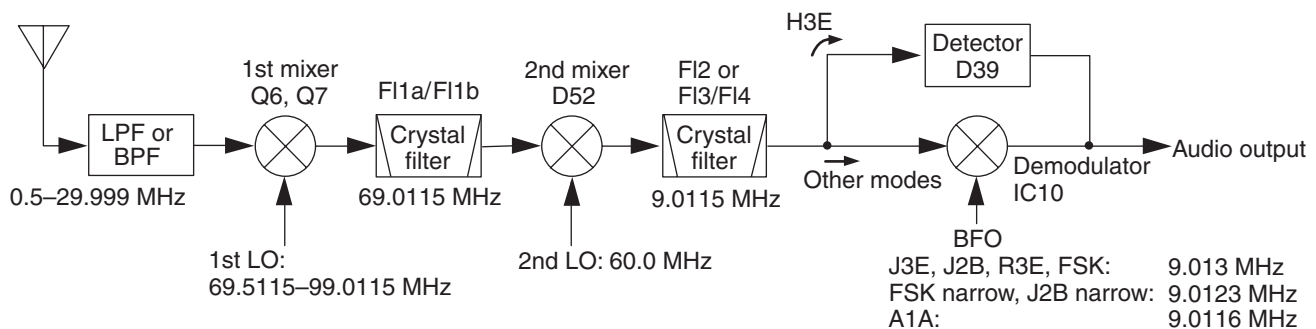
| Frequency (MHz) | Control signal | Entrance coil | Frequency (MHz) | Control signal | Entrance coil |
|-----------------|----------------|---------------|-----------------|----------------|---------------|
| 0.5–1.999 | B0 | L49 | 10–13.999 | B5 | L28 |
| 2–2.999 | B1 | L8 | 14–17.999 | B6 | L33 |
| 3–4.999 | B2 | L13 | 18–23.999 | B7 | L38 |
| 5–6.999 | B3 | L18 | 24–29.999 | B8 | L43 |
| 7–9.999 | B4 | L23 | | | |

3-1-2 1ST MIXER AND IF CIRCUITS (MAIN UNIT)

The 1st mixer circuit converts the received signals into a fixed frequency, 69.0115 MHz 1st IF signal using the PLL output frequency. By changing the PLL frequency, only the desired frequency is picked up at the pair of crystal filters (F11a, F11b) at the next stage.

The IF amplifier (Q8) and resonator circuits are designed between the filter pair. The PLL output signal (1LO) enters the MAIN unit via J3 and is amplified at the 1st LO amplifier (Q5) and then applied to the 1st mixer (Q6, Q7)

• RECEIVE FREQUENCY CONSTRUCTION



3-1-3 2ND MIXER AND IF CIRCUITS (MAIN UNIT)

The 1st IF signal from the crystal filter (F11b) is converted again into a 9.0115 MHz 2nd IF signal at the 2nd mixer circuit (D52, L66, L67). The 60 MHz 2nd local signal (2LO) from the PLL unit enters the MAIN unit via J4 to be applied to the 2nd mixer.

The 2nd IF signal is passed through the noise blanker gate (D15, D16) and amplified at the 2nd IF amplifier (Q16) and then applied to one of the 9 MHz IF filters as described below. The passed signal is amplified at the two stage 2nd IF amplifiers (Q32, Q33) and is applied to a demodulator circuit (D39 for H3E or IC10 for J3E and others).

• 2ND IF FILTERS USED

| MODE | Used filter | Control signal |
|------------------------|-------------------------|-----------------------|
| J3E, R3E, FSK | F12 | SEL8: low, H3E8: low |
| H3E | F13/F14 | SEL8: low, H3E8: high |
| FSK narrow, A1A narrow | Optional narrow filter* | SEL8: high, H3E8: low |

*Built-in to the GMDSS versions

3-1-4 NOISE BLANKER CIRCUIT (MAIN UNIT)

The noise blanker circuit cuts off the IF circuit line at the moment of receiving a pulse-type noise.

A portion of the 2nd IF signal between resonator circuits (L83, L84 after stage of the 2nd mixer, D52) is amplified at the noise amplifiers (Q9, IC8, Q11). The signal is then detected at the noise detector (D17) to convert the noise components to DC voltages.

The signals are then applied to the noise blanker switch (Q13, Q14). At the moment the detected voltage exceeds the Q13's threshold level, Q14 outputs a blanking signal to close the noise blanker gate (D15, D16) by applying reverse-biased voltage. Q15 turns the noise blanker circuit ON and OFF.

The detected voltage is also applied to the noise blanker AGC circuit (Q12, Q10) and is then fed back to the noise amplifier (IC8) as a bias voltage. The noise AGC circuit prevents closure of the noise blanker gate for long periods by non-pulse-type noise. The time constant of the noise blanker AGC circuit is determined by R58 and C114.

3-1-5 DEMODULATOR CIRCUIT (MAN UNIT)

This circuit mixes the 2nd IF and BFO signals to pick up the AF components (except H3E mode). The 2nd IF signal from the 2nd IF amplifier (Q33) is applied to the balanced mixer (IC10, pin 1). The 9.0116–9.0130 MHz BFO signal from the PLL unit is also applied to IC10 (pin 10). AF signals are output from pin 12 and are then applied to the AF circuits.

3-1-6 H3E DETECTOR CIRCUIT (MAIN UNIT)

The 2nd IF signal from the 2nd IF amplifier (Q33) is applied to the AM detector circuit (D39) to be demodulated into AF signals. The detected signals are amplified at the buffer amplifier (Q45), and are then applied to the AF circuits.

3-1-7 AGC CIRCUIT (MAIN UNIT)

The AGC (Automatic Gain Control) circuit reduces IF amplifier gain to prevent the receiver circuit from distorting and to keep the audio output at a constant level.

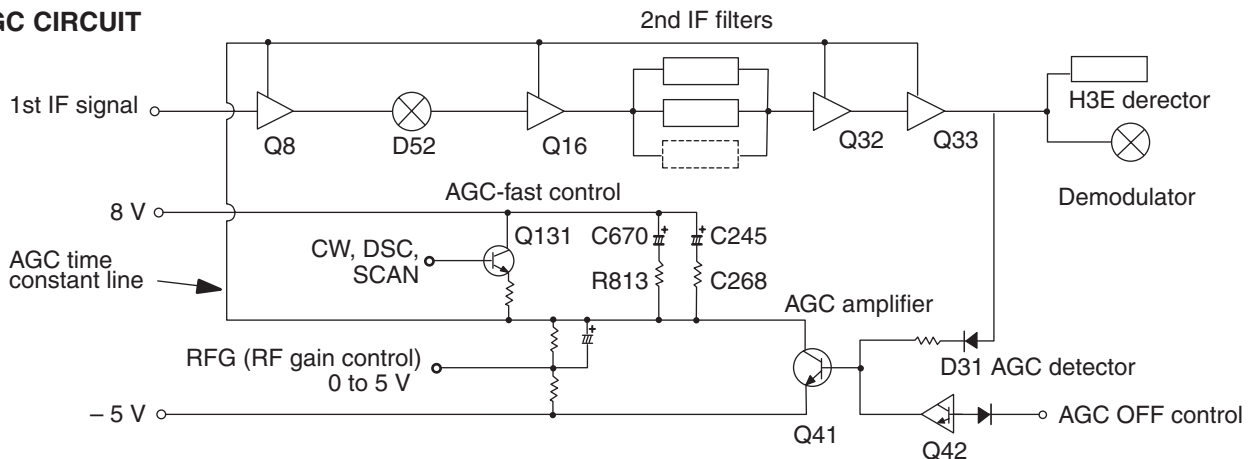
A portion of the IF signals from the 2nd IF amplifier (Q33) is detected at the AGC detector circuit (D31) and is then applied to the AGC amplifier (Q41) to control the AGC time constant line. The reference voltage of the AGC line is controlled by the “RFG” line which comes from the CPU for the RF gain setting.

When receiving a strong signal, the detected voltage increases and the voltage of the AGC line is decreased by the AGC amplifier (Q41) via the –5 V voltage line. The AGC line is used for the bias voltage of the IF amplifiers (Q8, Q16, Q32, Q33), so that these amplifiers reduce gain.

When the strong signal disappears, the AGC line voltage is released by C245/R268 and C670/R813.

The AGC switch (Q42, D38) turns the AGC circuit OFF when the AGC OFF function activates. The AGC-fast switch (Q131) sets the AGC line as fast-release during scanning, A1A mode selection and DSC operation.

• AGC CIRCUIT



3-1-8 S-METER CIRCUIT (MAIN UNIT)

The S-meter indicates the AGC level on the display, since the AGC level varies with the received signal strength.

The AGC bias voltage (AGC time constant line) from the AGC amplifier (Q41) is inverted and amplified at the meter amplifier (IC19b). The amplified signal is applied to the CPU via the “RSM” line.

3-1-9 AF AMPLIFIER CIRCUITS (MAIN UNIT AND LOGIC BOARD)

AF signals from the demodulator or H3E detector circuits pass through the active low-pass filter (IC20b) and squelch gate (IC12a), and are then applied to the electronic volume control (IC36). The CPU (IC132, pin 37) outputs the volume control signal (1 to 5 V) according to the [VOLUME] control setting.

The AF output signal from IC36 (9 pin) are supplied to the LOGIC unit via J23. The signals are amplified at the AF power amplifier (IC2007) and are then applied to the internal speaker via microphone connector (pins 3, 4) and external [SP] jack via the MAIN unit.

The speaker switch relay (RL2001) is connected to the (–) terminal of internal speaker for the [SPEAKER] switch function.

3-1-10 SQUELCH CIRCUIT (MAIN UNIT)

The transceiver has two squelch circuits, voice activated squelch for J3E/H3E and S-meter squelch for A1A/F1B/J2B.

(1) AF ACTIVATED SQUELCH

A portion of the AF signal from the active low-pass filter (IC20b) is amplified at the limiter amplifier (IC20a) and is then applied to the one-shot multi-vibrator (IC22c, IC22d). The one shot multi-vibrator functions as an F-V converter which generates a signal only when audio signals are received.

The output signals pass through the NOR gate (IC22b) and then the 3 Hz low-pass filter (IC21a) to remove the remaining noise components. The filtered signal is applied to the window comparator (IC21b). The NOR gate (IC22b) deactivates the audio activated squelch during A1A/F1B/J2B mode operation.

The comparator outputs “High” when the integrated signals exceed the reference voltage. C269, R310 and R780 are used as a time constant circuit. The resulting signal output from IC22a is inverted at Q46 and is then applied to the CPU as the “SQLS” signal. The CPU controls the squelch gate (IC12a) when the “SQLS” signal is received.

(2) S-METER SQUELCH

The S-meter signal from IC19b is applied to the squelch comparator (IC19a) to close or open the squelch circuit. The reference voltage is adjusted by R257 and then applied to the (–) terminal of the comparator (IC19a). When the S-meter signal exceeds the reference voltage, the comparator outputs “High” to the CPU via IC22a and Q46 in the same manner as the voice activated squelch circuit.

3-2 TRANSMITTER CIRCUITS

3-2-1 MICROPHONE AMPLIFIER CIRCUIT (LOGIC BOARD)

The AF signals from the [MICROPHONE] connector are pass through the AF amplifier (IC2008a), and are applied to the balanced modulator (MAIN unit; IC9, pin 1) via the AF switch (IC38b). The microphone AGC circuit (D2008, D2009, Q2009) controls the amplifier gain to prevent signal distortion.

External modulation inputs from the ACC, NBDP, DSC sockets or a 2-tone emergency signal from the CPU are applied to the balanced modulator directly via AF switches (IC37–IC39).

3-2-2 MODULATION CIRCUIT (MAIN UNIT)

(1) J3E AND J2B MODES

The balanced modulator is used for J3E and J2B modes to add the audio signal to the BFO frequency, and outputs the IF signal while suppressing the BFO signal.

The AF signals from the microphone amplifier or external audio from the modulation terminals are applied to the balanced modulator (IC9, pin 1). The BFO signal from the PLL unit is applied to (IC9, pin 10) as a carrier signal. A double sideband signal is output from IC9 (pin 6), and is then applied to the 9 MHz filter (F12) to create an SSB signal.

R238 adjusts the balanced level of IC9 for maximum carrier suppression. In J2B mode, the BFO frequency is shifted 1.7 kHz to set the transmit frequency the same as the displayed frequency.

The SSB signal from F12 is amplified at the 9 MHz amplifiers (Q17–Q19) and is then applied to the mixer circuit (D52). The switching diode (D19) is turned ON when R8 voltage disappears.

(2) H3E AND R3E MODES

An SSB signal is applied to the IF amplifier (Q18) in the same manner as with J3E/J2B mode. The BFO signal from the PLL unit is amplified at the buffer amplifier (Q30) and is then applied to the IF amplifier (Q18) as a carrier signal to be added to an SSB signal. R211 and R212 adjust the carrier levels in H3E and R3E modes, respectively.

(3) A1A AND F1B MODES

The CW8 or FSK8 voltage are applied to the balanced modulator (IC9, pin 4) to upset the balance and create a carrier signal.

In A1A mode, the CW keying circuit (IC18a) controls the bias voltage of the IF amplifiers (Q18, Q19) and T/R switching diode (D19) to switch the carrier transmission.

In F1B mode, BFO frequency is shifted in the PLL unit to create the mark and space frequencies.

3-2-3 1ST MIXER CIRCUIT (MAIN UNIT)

The amplified signal from the IF amplifier (Q17) is mixed with a 60 MHz LO signal at the 1st mixer circuit (D52) to produce a 69.0115 MHz IF signal. The mixer is commonly used with the receiver 2nd mixer.

The 69.0115 MHz IF signal passes through the filter (F11b) and is then applied to the 2nd mixer circuit.

3-2-4 2ND MIXER CIRCUIT (MAIN UNIT)

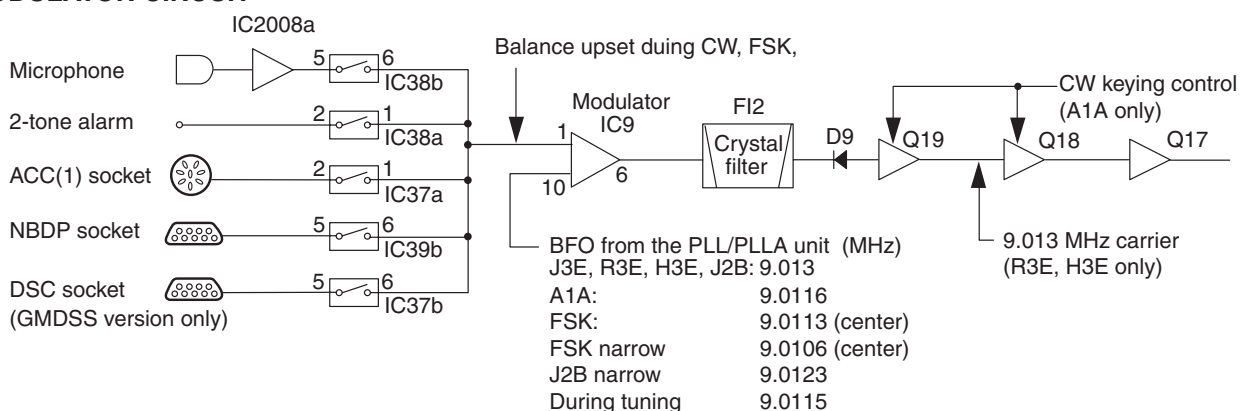
The filtered signal is mixed with a PLL output frequency (1LO: 69.5155–99.0155 MHz) at the 2nd mixer circuit (Q3, Q4) to produce an RF signal which is the same frequency as the displayed one.

3-2-5 RF FILTER CIRCUIT (MAIN UNIT)

The RF signal passes through the low-pass filter (L55, L56, C89–C93, C620, C628) and is then amplified at the RF amplifier (Q2).

The amplified signal is applied to one of nine RF filters. These RF filters are commonly used with the receiver circuit which consists of eight high-pass filters and one low-pass filter. The filtered signal is amplified at the RF amplifier (Q1) and is then applied to the PA150W board via J1.

• MODULATOR CIRCUIT



3-2-6 POWER AMPLIFIER CIRCUIT (PA150W BOARD)

This circuit provides a stable 150 W (at 13.6 V) of output power. The RF signal from the MAIN unit is amplified at the pre-driver (Q4008), drivers (Q4001, Q4002), and power amplifiers (Q4003, Q4004).

The driver and power amplifiers form class AB push-pull circuits. Bias voltage to these transistors is produced by diodes (D4001–D4003) which have temperature junctions with the transistors.

The amplified signal is then applied to one of eight low-pass filters to suppress high harmonic components. The filtered signal passes through the power detector circuit (FILTER board; L4341) and transmit/receive switching relay (FILTER board; RL4317) and is then applied to the antenna connector.

• LOW-PASS FILTERS USED (FILTER BOARD)

| Frequency (MHz) | Control signal | Entrance Relay | Frequency (MHz) | Control signal | Entrance Relay |
|-----------------|----------------|----------------|-----------------|----------------|----------------|
| 0.5–1.999 | L0 | RL4301 | 10–13.999 | L5 | RL4311 |
| 2–2.999 | L1 | RL4303 | 14–17.999 | L6 | RL4313 |
| 3–4.999 | L2 | RL4305 | 18–19.999 | | |
| 5–6.999 | L3 | RL4307 | 20–21.999 | L7 | RL4315 |
| 7–9.999 | L4 | RL4309 | 22–23.999 | | |
| | | | 24–29.999 | | |

3-2-7 ALC CIRCUIT

The transceiver has two ALC (Auto Level Control) loops for constant output power over all marine bands and for high power setting.

(1) IF ALC CIRCUIT (MAIN UNIT)

A portion of the IF signals from the IF amplifier (Q17) is applied to the IF ALC circuit. The signal is amplified at Q126 and then detected at the ALC detector (D46). The detected signal is amplified at the ALC amplifier (IC17b) and is then applied to the comparator (IC17a).

The reference voltage for the comparator is set by R184. The antenna tuning control voltage (TUN8) and low power set signal (POC1) are also affected by the reference voltage to decrease the IF signal level.

The comparator output controls the gate bias of the IF amplifier (Q19), so that the IF signal level is determined by the reference voltage of the comparator (IC17a).

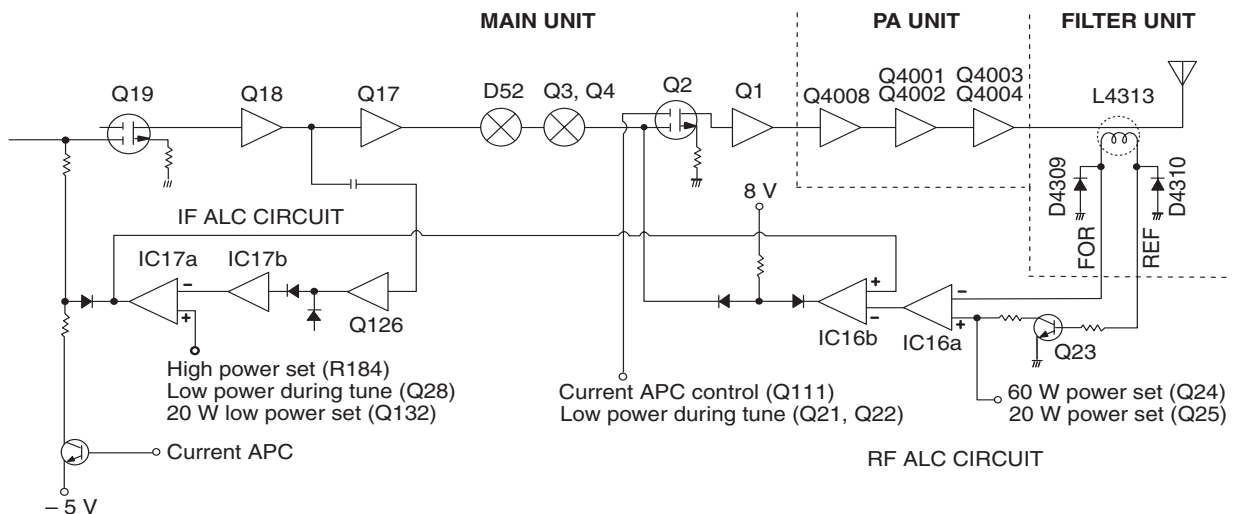
(2) RF ALC CIRCUIT (FILTER BOARD)

The RF output power level is detected at D4309 of the power detector circuit (FILTER board; L4341, D4309, D4310). The detected signal (“FOR” signal) is applied to the RF ALC amplifier (MAIN unit; IC16a).

The amplified signal enters the transmit gain controller (IC16b) which functions as an inversion amplifier. The gain controller decrease the gain of the IF amplifier (MAIN unit; Q2) to constant output power from differential amplifier gains which are occurred by their frequency characteristics.

The bias voltage of the RF ALC amplifier (IC16a) is controlled by the low power control signal (POC1 for 20 W, POC2 for 60 W) and APC signal.

• ALC CIRCUIT



3-2-8 APC CIRCUIT

The APC (Auto Power Control) circuit protects the power amplifiers on the PA unit from high SWR and excessive current.

(1) SWR APC (FILTER BOARD AND MAIN UNIT)

The reflected wave signal appears and increases on the antenna connector. When the antenna is mismatched, D4310 of the power detector circuit (FILTER board; D4309, D4310, L4341) detects the signal and applies it to the APC amplifier (MAIN unit; Q23). The amplified signal decreases the bias voltage of the RF ALC amplifier to reduce the output power.

(2) CURRENT APC (PA150W BOARD AND MAIN UNIT)

The power transistor current is detected from the different voltages between both terminals of a 0.012 Ω resistor (R4026) on the PA150W board. The detected voltage is applied to the differential amplifier (IC4002b). When the current of the final transistors is more than 30 A, the detected voltage is applied to the APC amplifier controller (MAIN unit; Q111) to reduce the gate-2 voltage of the IF amplifier (MAIN unit; Q2) and thus reduce the output power.

3-2-9 TEMPERATURE DETECTION (PA150W BOARD)

Thermal switches (S4001, S4002) protect the final transistors from excessive temperatures. When the temperature of the final transistors exceeds 50°C (122°F), S4002 is turned ON to start the cooling fan. When the temperature of the final transistors exceeds 110°C (230°F), S4001 is turned ON to control the “POC2” line and sets the power to 60 W.

3-2-10 RF METER CIRCUIT (MAIN UNIT)

The output of the ALC amplifier (IC16a) is applied to the CPU (pin 31) to indicate the transmit power level on the display.

For antenna current meter indication, the “ANTC” signal from an optional AT-130E is applied to the CPU (pin 32).

3-3 PLL CIRCUIT

3-3-1 GENERAL

The PLL unit generates a 1st LO frequency (69.5115–99.0114 MHz), 2nd LO frequency (60 MHz) and a BFO frequency (9.0106–9.013 MHz) for the MAIN unit. The 1st LO PLL adopts a mixerless dual loop PLL system. The BFO uses a DDS and a 2nd LO as a fixed frequency double that the crystal oscillator.

3-3-2 1ST LO PLL (PLL UNIT)

The 1st LO PLL contains a main loop and reference loop as a dual loop system. The reference loop generates a 10.65 to 10.75 MHz frequency using a DDS circuit, and the main loop generates a 69.5115 to 99.0114 MHz frequency using the reference loop frequency.

(1) REFERENCE LOOP PLL

The oscillated signal at the reference VCO (Q3005, D3003) is amplified at the buffer amplifiers (Q3006, Q3011) and is then applied to the DDS IC (IC3001, pin 46). The signal is then divided and detected on phase with the DDS generated frequency.

The detected signal output from IC3001 (pin 56) is converted into a DC voltage (lock voltage) at the loop filter (R3018, R3019, C3044) and then fed back to the varactor diode (D3003) in the VCO circuit.

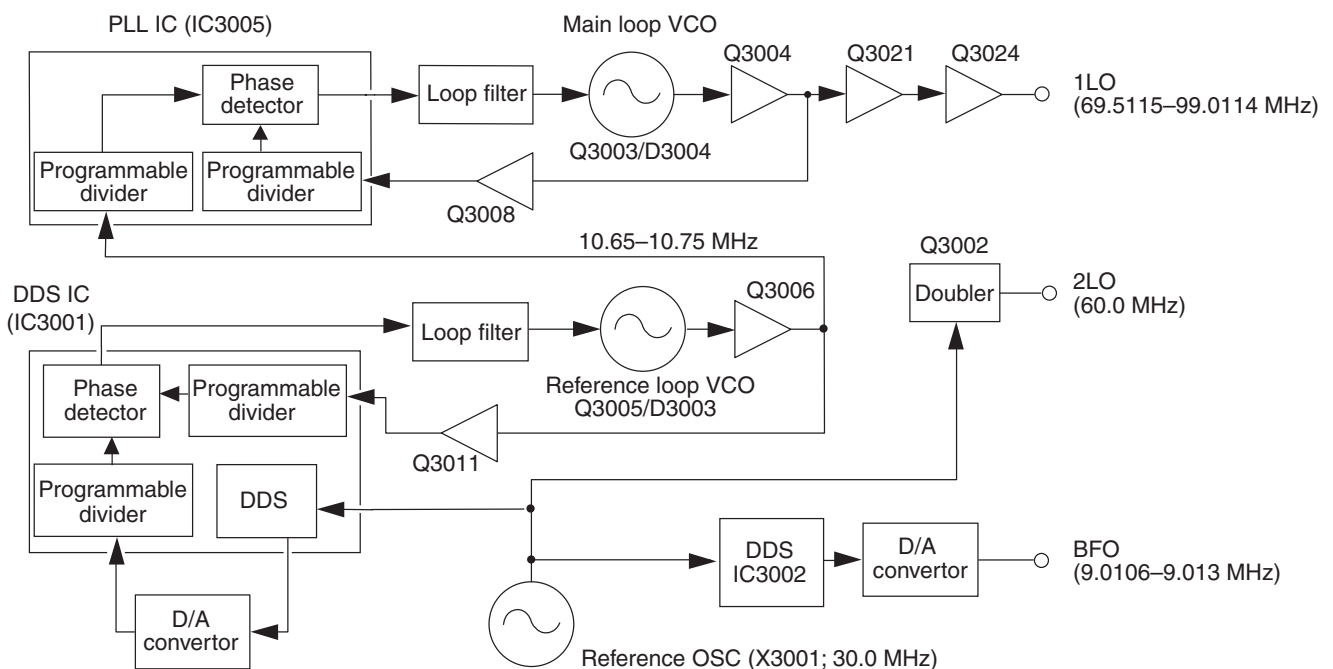
(2) MAIN LOOP PLL

The oscillated signal at the main loop VCO (Q3003, D3004) is amplified at the buffer amplifiers (Q3004, Q3008), and is then applied to the PLL IC (IC3005, pin 14). The signal is then divided and detected on phase with the reference loop output frequency.

The detected signal output from IC3005 (pins 3009, 3010) is converted into a DC voltage (lock voltage) at the loop filter and then fed back to the varactor diode (D3004) in the VCO circuit.

The oscillated signal is amplified at the buffer amplifiers (Q3004, Q3021, Q3024) and then applied to the MAIN unit as a 1st LO signal.

• PLL CIRCUIT



3-3-3 2ND LO AND REFERENCE OSCILLATOR CIRCUITS

The reference oscillator (X3001) generates 30.0 MHz frequency used for the both DDS ICs as a system clock and for the LO output. The oscillated signal is doubled at the driver (Q3002) and picked up the 60 MHz frequency at the resonator circuit (L3004, L3005). The 60 MHz signal is applied to the MAIN unit as a 2nd LO signal.

3-3-4 BFO CIRCUIT

The DDS IC (IC3002) generates a 10-bit digital signal using the 30 MHz system clock. The digital signal is converted to an analog wave signal at the D/A converter (R3120–R3139). The analog wave is passed through the low-pass filter (L3037, L3038, C3154–C3158), and is then applied to the MAIN unit as the BFO signal. The PA unit separate grounding from the other units to obtain floating.

3-4 DC-DC converter CIRCUIT (REG UNIT; [EUR] only)

The IC-M710 [EUR] version employs a floating grounding system which is not connected between transceiver's ground and (–) terminal of the power supply. The PA unit separate grounding from the other units to obtain floating.

The 13.6 V DC from the DC power connector passes through the noise filter (L8001, C8001–C8005), and is then applied to the switching transformer (T8001). The MOS FET (Q8001) is turned ON and OFF by D8003 and Q8003 respectively.

IC8001 is a switching control IC which contains a 5 V reference voltage regulator (pins 12, 14), two error amplifiers (pins 1–3, 15, 16), a saw tooth oscillator (pins 4–6) and a comparator. The switching frequency is determined by R8008 and C8007 and is set at 36 kHz.

AC voltage appear on the secondary terminals of T8001 and rectified by D8002. The rectified DC voltages are passed through the noise filter (L8003, C8009, C8010), and are then applied to the MAIN unit as a 13.6 V DC voltage line.

3-5 PORT ALLOCATIONS

CPU (MAIN unit; IC132)

| Pin number | Port name | Description |
|------------|-----------|---|
| 1 | RES | Input port for the CPU reset signal. When receiving a "LOW" pulse, the CPU is reset. |
| 10 | RXDO | Data input port from the sub CPU in the FRONT unit. |
| 11 | TXDO | Data output port to the sub CPU in the FRONT unit. |
| 16 | NSEN | Input port to the sub CPU in the FRONT unit. |
| 17 | POC2 | Outputs low power control signal for 60 W power. |
| 18 | POC1 | Outputs low power control signal for 20 W power. |
| 20 | CWIN | Input port for the CW keying. High: When key is closed. |
| 21 | ASEN | Outputs a "SEND" control signal for the ACC (1) and ACC (2) sockets. |
| 22 | CSEN | Outputs a "SEND" control signal for T8 and R8 voltage line control. Low : For transmit. |
| 23 | ALMS | Outputs an alarm control signal to activate the 2-tone emergency alarm encoder. High : Alarm ON. |
| 24 | ALMC | Outputs a tone switching signal for the 2-tone emergency alarm encoder. High : High tone. |
| 25 | SCL | Outputs a clock signal for the EEPROM (IC134). |
| 26 | SDA | Data bus line for the EEPROM (IC134). |
| 27 | SO | Outputs a serial signal for the EEPROM (IC135). |
| 28 | SDA | Data bus line for the EEPROM (IC135). |
| 30 | RSM | Input port for the S-meter indication. |
| 31 | MFOR | Input port for the RF-meter indication. |
| 32 | ANTC | Input port for the antenna current meter indication for [EUR] version. The ANTC signal can be received when an optional AT-130E is connected. |
| 33 | SQLS | Input port for the squelch detected signal. High : When squelch is open. |
| 34 | TRC | Input port for the transmit/receive switching signal. |
| 35 | SCAS | Input port for the scan control signal from the ACC (1) socket. |
| 36 | RFG | Outputs RF gain control signal to the AGC circuit. |

(MAIN unit; IC132)–Continued

| Pin number | Port name | Description |
|------------|---------------|--|
| 37 | AFG | Outputs AF gain control signal to the control (IC36). |
| 39 | STAT | Outputs the "tuner start" pulse to an optional AT-130E. |
| 40 | BEEP | Outputs a BEEP signal (1 kHz or 500 Hz). |
| 41 | STB1 | Outputs a strobe signal to the main loop PLL IC (C3005). |
| 42 | STB2 | Outputs a strobe signal to the reference loop DSS IC (IC3001). |
| 48 | STB3 | Outputs a strobe signal to the BFO PLL IC (IC3002). |
| 49 | DATA | Outputs a data signal to PLL and DDS ICs. |
| 50 | CK | Outputs a clock signal to PLL and DDS ICs. |
| 51 | SQL C | Outputs an AF mute signal for squelch function. High : Squelch closed. |
| 52 | NBS | Outputs a "noise blanker" signal. High : Noise blanker is on |
| 53 | AGCS | Outputs an AGC -OFF signal. High: AGC deactivate. |
| 54 | NMS | Outputs an external NBDP equipment control signal. Low: During NBDP data output. |
| 55 | P20 | Outputs a strobe signal for an initial matrix. |
| 57–60 | P17–P14 | Input ports for an initial matrix. |
| 61–64 | PD–PA | Output band signals for RF LPF and BPF selection. |
| 65–67 | J2B, R3E, H3E | Outputs mode signals. |
| 68 | KEY | Input port for an optional AT-130E. Low : During tuning. |
| 69 | CW | Outputs a mode signal. |
| 70 | TUNE | Outputs an antenna tuner tuning control signal for transceiver's power/mode control. |
| 71 | FSEL | Outputs a narrow filter selection signal. Low : Optional narrow filter selection. |
| 72 | PROG | Outputs a program scan control signal for "AGC fast" and "audio squelch" deactivation. |

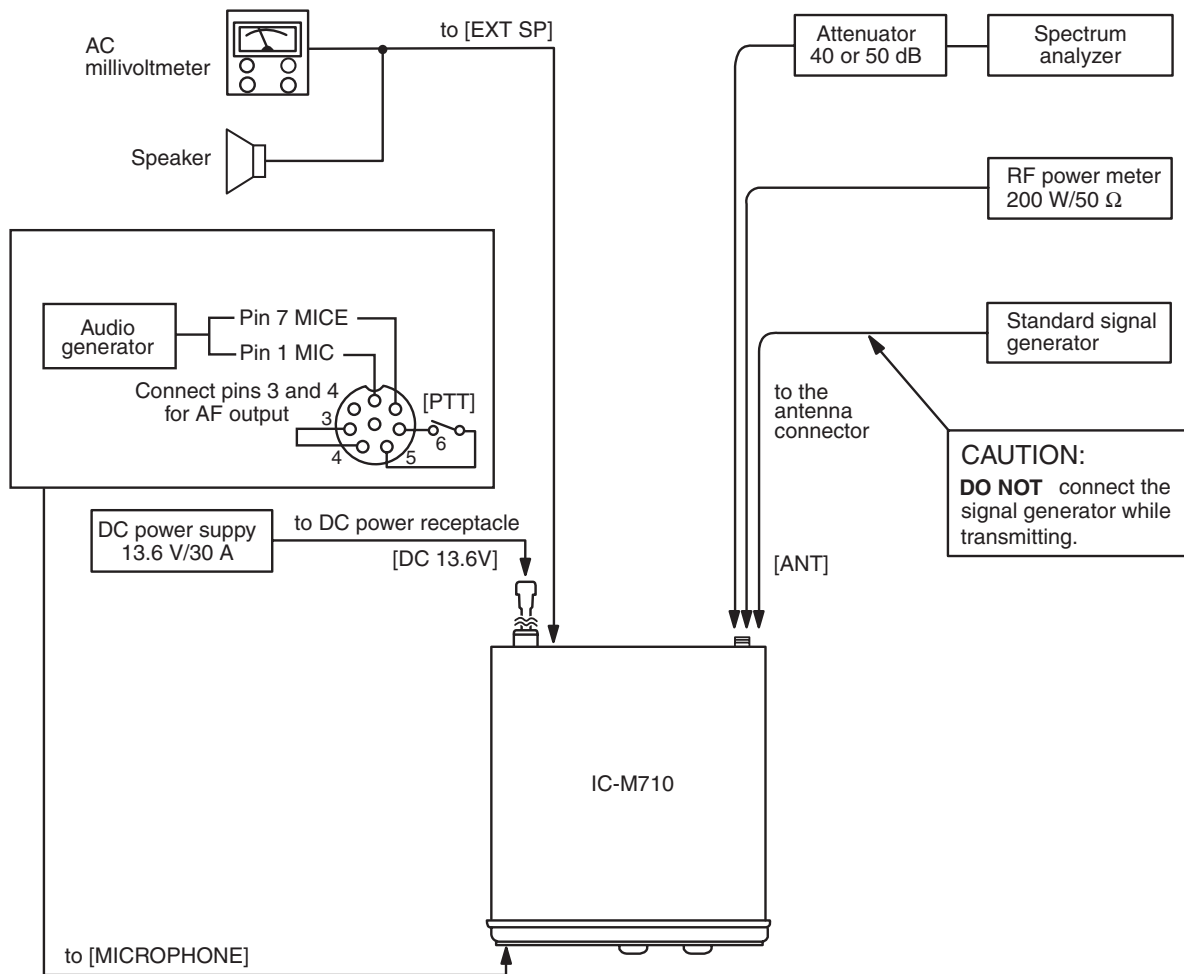
SECTION 4 ADJUSTMENT PROCEDURES

4-1 PREPARATION BEFORE SERVICING

■ REQUIRED TEST EQUIPMENT

| EQUIPMENT | GRADE AND RANGE | EQUIPMENT | GRADE AND RANGE |
|----------------------------------|---|---------------------------------|--|
| DC power supply | Output voltage : 13.6 V DC Current capacity : 30 A or more | Audio generator | Frequency range : 300–3000 Hz Measuring range : 1–500 mV |
| RF power meter (terminated type) | Measuring range : 10–200 W Frequency range : 1.8–30 MHz Impedance : 50 Ω SWR : Less than 1.2 : 1 | Standard signal generator (SSG) | Frequency range : 0.1–30 MHz Output level : –127 to –17 dBm (0.1 μV–32 mV) |
| Frequency counter | Frequency range : 0.1–100 MHz Frequency accuracy : ±1 ppm or better Sensitivity : 100 mV or better | Oscilloscope | Frequency range : DC–100 MHz Measuring range : 0.01–10 V |
| RF voltmeter | Frequency range : 0.1–100 MHz Measuring range : 0.01–10 V | AC millivoltmeter | Measuring range : 10 mV–10 V |
| DC voltmeter | Input impedance : 50 kΩ/V DC or better | External speaker | Input impedance : 4 Ω Capacity : 6 W or more |
| Spectrum analyzer | Frequency minimum : At least 90 MHz Spectrum bandwidth : ±100 kHz or more | Attenuator | Power attenuation : 40 or 50 dB Capacity : 150 W or more |
| | | DC ammeter | Measurement capability : 1 A/3 A /50 A |
| | | Electronic load | Input voltage : 13.6 V or more Load current : 10 A or more |

• CONNECTIONS



4-2 PLL ADJUSTMENTS

| ADJUSTMENT | ADJUSTMENT CONDITION | MEASUREMENT | | VALUE | ADJUSTMENT POINT | |
|-----------------------------|--|-------------|--|---|------------------|---------------------------------------|
| | | UNIT | LOCATION | | UNIT | ADJUST |
| REFERENCE LOOP LOCK VOLTAGE | 1 • Display frequency : 7.9999 MHz • Mode : J3E • Receiving | PLL | Connect a digital multimeter or oscilloscope to check point J3004. | 3.2 V | PLL | C3049 |
| | 2 • Display frequency : 0.0300 MHz | | | More than 1.5 V | | Verify |
| MAIN LOOP LOCK VOLTAGE | 1 • Display frequency : 0.5000 MHz • Receiving | PLL | Connect a digital multimeter or oscilloscope to check point J3005. | 4.0 V | PLL | L3024 [GMDSS] R3223 [Others] |
| | 2 • Display frequency : 29.9999 MHz | | | More than 1.0 V | | Verify |
| REFERENCE FREQUENCY | 1 • Wait for 5 minutes after power ON. • Terminate P3002 on the PLL unit to ground with a 50 Ω resistor. • Receiving | PLL | Connect an RF voltmeter to check point P3002. | Maximum level (More than +2 dBm) | PLL | L3004 L3005 |
| | | | 2 | Connect a frequency counter to check point P3002. | | 60.000000 MHz |

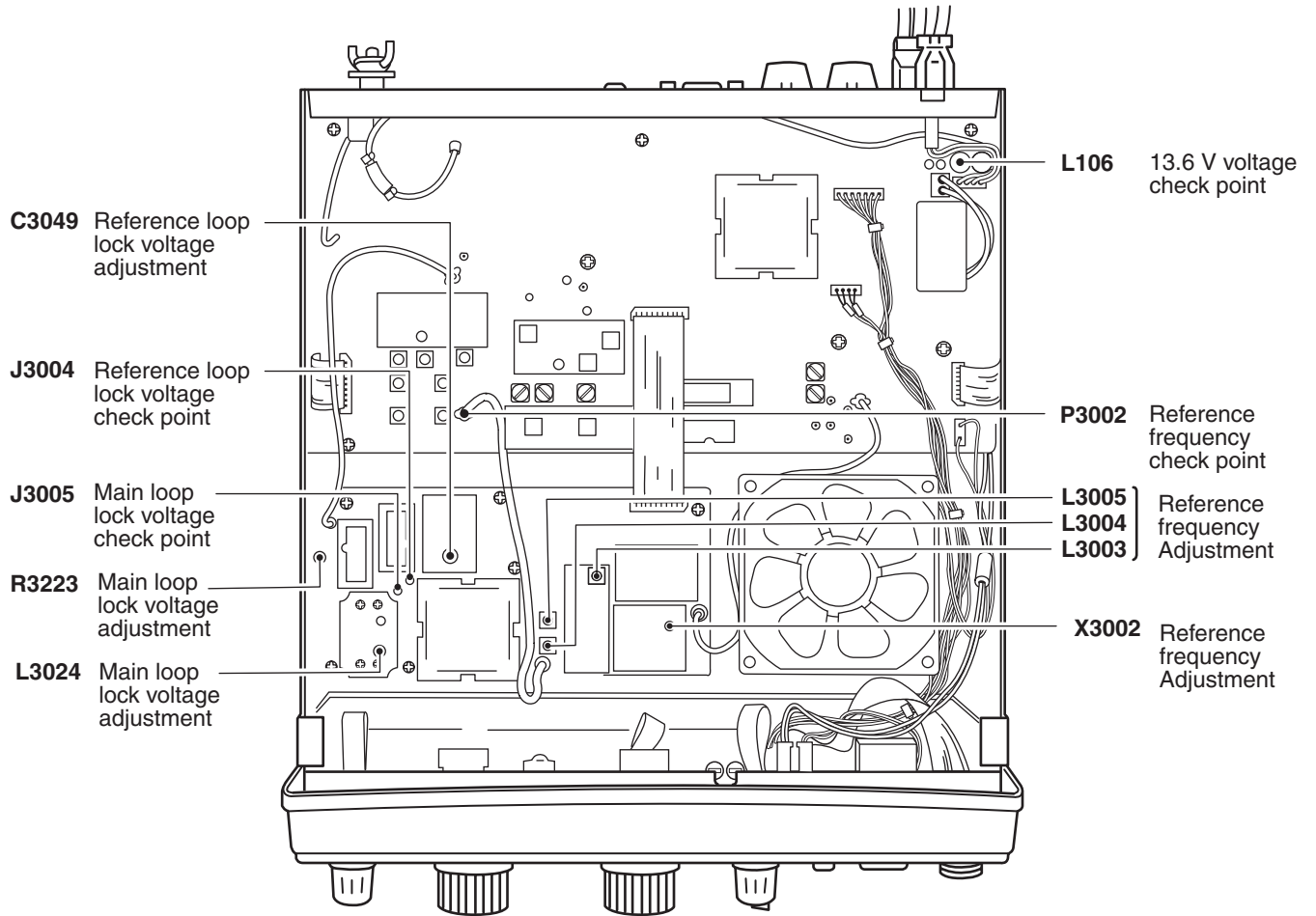
[GMDSS]: [GEN-23], [EUR-22] [Others]: [GEN-21], [GEN-22], [EUR-21]

4-3 POWER VOLTAGE ADJUSTMENT

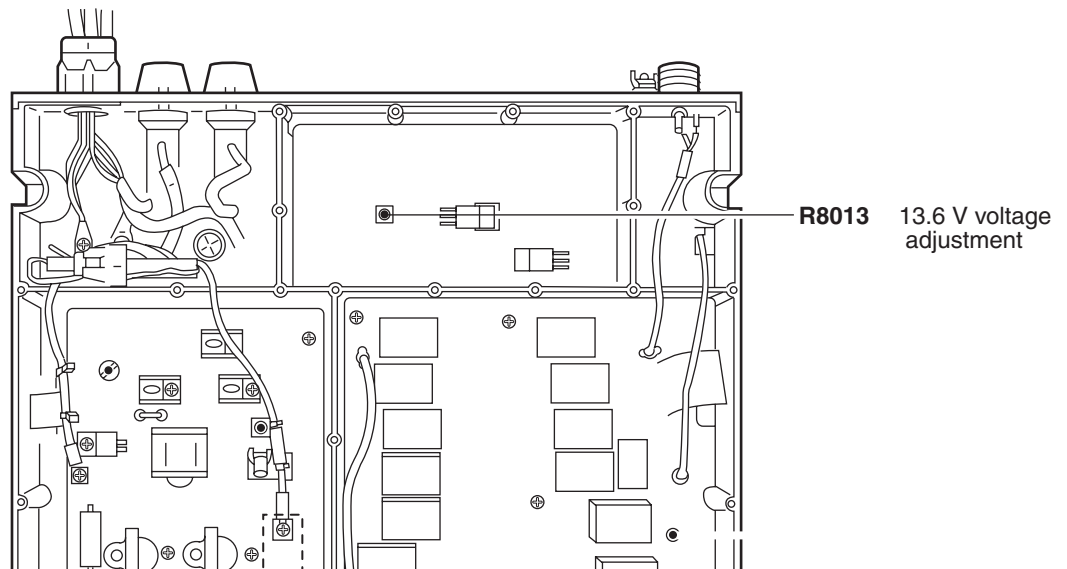
| ADJUSTMENT | ADJUSTMENT CONDITION | MEASUREMENT | | VALUE | ADJUSTMENT POINT | |
|-----------------------------|----------------------|-------------|---------------------------------|--------|------------------|--------|
| | | UNIT | LOCATION | | UNIT | ADJUST |
| 13.6 V VOLTAGE ([EUR] only) | 1 • Turn power ON. | MAIN | Connect a DC voltmeter to L106. | 13.6 V | REG | R8013 |

[EUR]: [EUR-21], [EUR-22]

• MAIN AND PLL UNITS



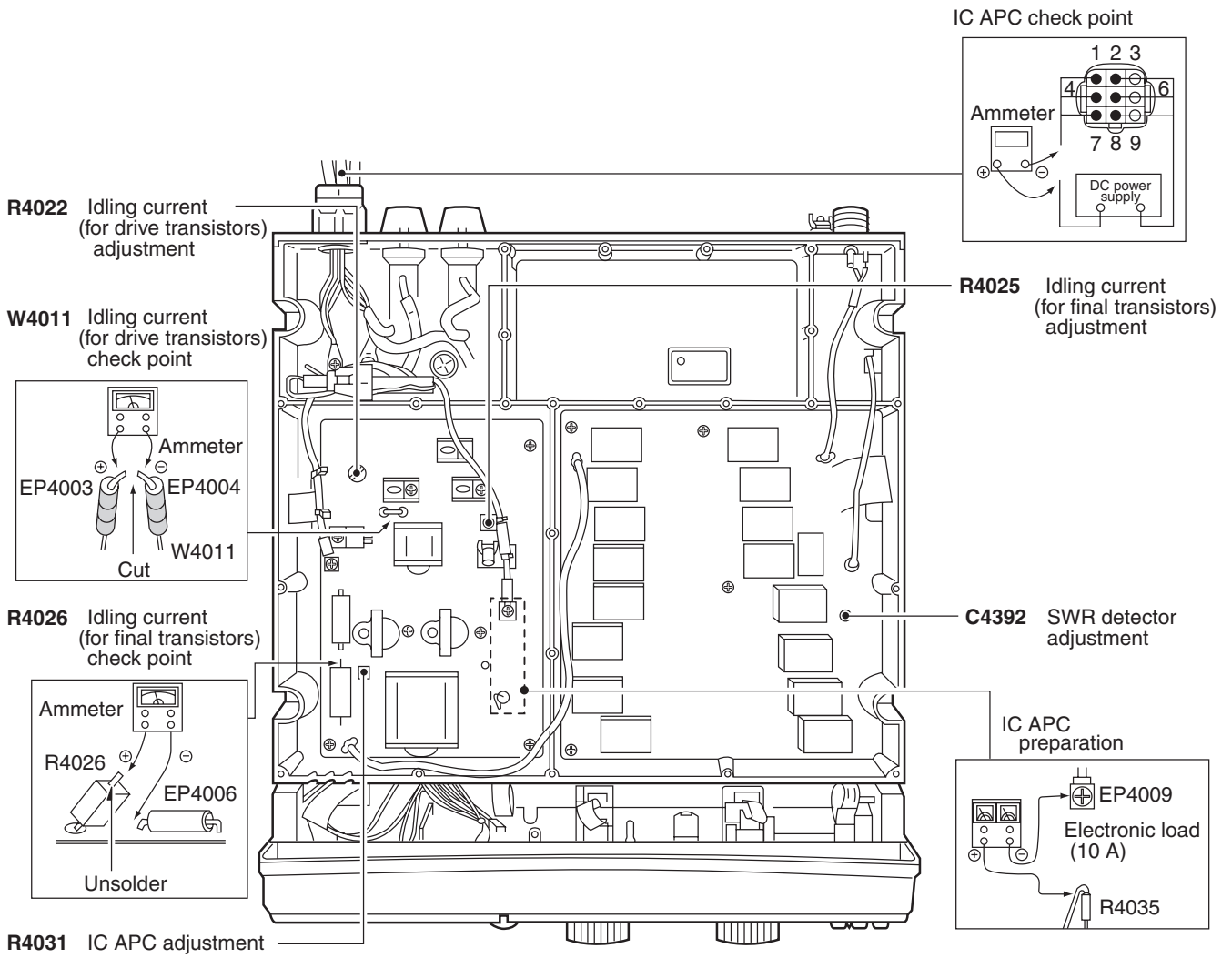
• REG BOARD ([EUR] only)



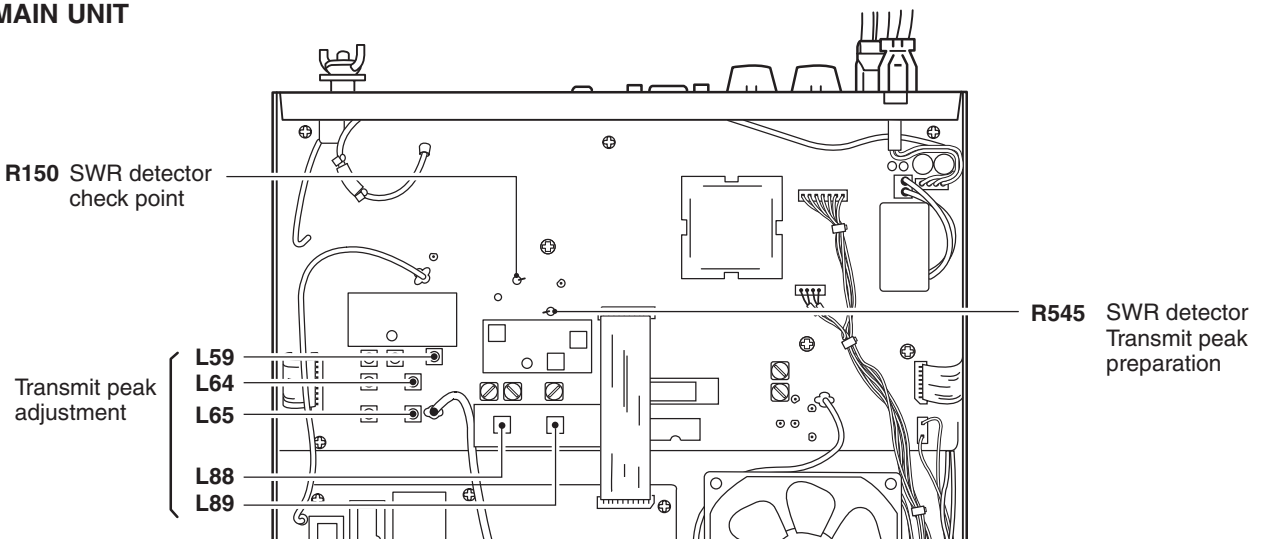
4-4 TRANSMITTER ADJUSTMENTS

| ADJUSTMENT | ADJUSTMENT CONDITION | MEASUREMENT | | VALUE | ADJUSTMENT POINT | | |
|---|--|---|------------|---|----------------------|-----------------|--|
| | | UNIT | LOCATION | | UNIT | ADJUST | |
| IDLING CURRENT (For drive transistors) | 1 | <ul style="list-style-type: none"> • Display frequency : 12.2300 MHz • Mode : J3E • Apply no audio signal to the [MICROPHONE] connector. • Transmitting | PA150W | Cut the lead wire (W4011) and connect a DC ammeter (1 A) to the cut points. | 100 mA | PA150W | R4022 |
| | After adjustment, re-solder the lead wire (W4011) on the PA150W board. | | | | | | |
| (For final transistors) | 2 | <ul style="list-style-type: none"> • Display frequency : 12.2300 MHz • Mode : J3E • Apply no audio signal to the [MICROPHONE] connector. • Transmitting | PA150W | Unsolder R4026 and connect the DC ammeter (3 A) to the unsoldered points. | 500 mA | PA150W | R4025 |
| | After adjustment, re-solder R4026 on the PA150W board. | | | | | | |
| IC APC | 1 | <ul style="list-style-type: none"> • Display frequency : 22.0000 MHz • Mode : J3E • Preset R4031 on the PA150W board to the maximum counter-clockwise position. • Connect an electronic load with 10 A load current (example: KIKUSUI PLZ72W) between lead of R4035 (power line) and EP4009 (ground) on the PA150W board. • Connect an audio generator to the [MICROPHONE] connector and set as: Frequency : 1.5 kHz Level : 100 mV rms • Connect an RF power meter to the [ANT] connector. • Transmitting | Rear Panel | Connect a DC ammeter (50 A) between the DC power supply and DC power receptacle (DC input +). | 30A | PA150W | R4031 |
| | After adjustment, remove the electronic load on the PA150W board.. | | | | | | |
| SWR DETECTOR | 1 | <ul style="list-style-type: none"> • Display frequency : 22.0000 MHz • Mode : J3E • Ground the lead of R545 on the MAIN unit with a wire. | Rear Panel | Connect an RF power meter to the [ANT] connector. | 140 W | Audio generator | Output level |
| | 2 | <ul style="list-style-type: none"> • Connect an audio generator to the [MICROPHONE] connector and set as: Frequency : 1.5 kHz • Transmitting | MAIN | Connect a DC voltmeter to R150. | Minimum level | FILTER | C4392 |
| After adjustment, remove the wire from R545 on the MAIN unit. | | | | | | | |
| TRANSMIT PEAK | 1 | <ul style="list-style-type: none"> • Display frequency : 12.2300 MHz • Mode : J3E • Ground the lead of R545 on the MAIN unit with a wire. • Connect an audio generator to the [MICROPHONE] connector and set as: Frequency : 1.5 kHz Level : 3 mV • Transmitting | Rear Panel | Connect an RF power meter to the [ANT] connector. | Maximum output power | MAIN | Adjust in sequence L89, L88, L65, L64, L59 |
| | After adjustment, remove the wire from R545 on the MAIN unit. | | | | | | |

• PA AND FILTER BOARDS



• MAIN UNIT

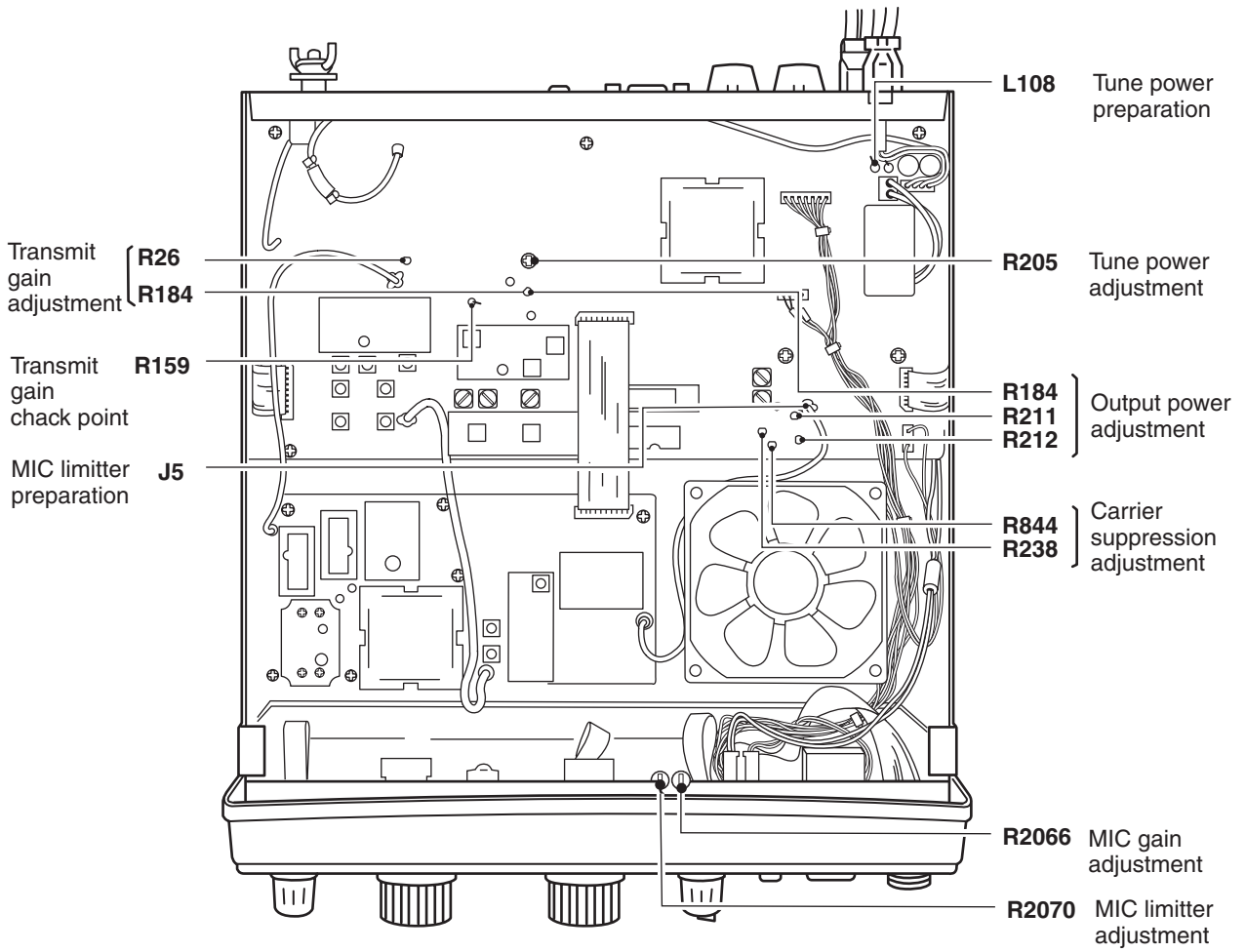


TRANSMITTER ADJUSTMENTS (continued)


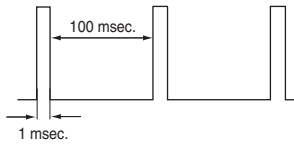
| ADJUSTMENT | ADJUSTMENT CONDITION | MEASUREMENT | | VALUE | ADJUSTMENT POINT | | |
|--|----------------------|--|------------|---|---|-----------------|-------------------------------|
| | | UNIT | LOCATION | | UNIT | ADJUST | |
| TRANSMIT GAIN | 1 | <ul style="list-style-type: none"> • Display frequency : 12.2300 MHz • Mode : A1A [Others] F1A [GMDSS] • Transmitting | Rear Panel | Connect an RF power meter to the [ANT] connector. | 140 W | MAIN | R184 |
| | 2 | <ul style="list-style-type: none"> • Display frequency : 16.3650 MHz • Transmitting | MAIN | Connect a digital multimeter to R159. | 0.5 V | | R26 |
| OUTPUT POWER | 1 | <ul style="list-style-type: none"> • Display frequency : 12.2300 MHz • Mode : H3E • Apply no audio signal to the [MICROPHONE] connector. • Transmitting | Rear Panel | Connect an RF power meter to the [ANT] connector. | 45 W | MAIN | R211 |
| | 2 | <ul style="list-style-type: none"> • Mode : R3E • Transmitting | | | 2.0 W | | R212 |
| | 3 | <ul style="list-style-type: none"> • Mode : F1B [GMDSS] A1A [Others] • Transmitting | | | 130 W [GMDSS] 140 W [Others] | | R184 |
| CARRIER SUPPRESSION | 1 | <ul style="list-style-type: none"> • Display frequency : 12.2300 MHz • Mode : J3E • Apply no audio signal to the [MICROPHONE] connector. • Transmitting | Rear Panel | Connect a spectrum analyzer or RF voltmeter to the [ANT] connector via an attenuator. | Minimum carrier level (Less than -40 dB) | MAIN | Adjust alternately R238, R844 |
| TUNE POWER | 1 | <ul style="list-style-type: none"> • Display frequency : 12.2300 MHz • Ground the lead of L108 (KEY line) on the MAIN unit with a wire. • Transmitting | Rear Panel | Connect an RF power meter to the [ANT] connector. | 10 W | MAIN | R205 |
| POWER METER | 1 | <ul style="list-style-type: none"> • While pushing the [SQL] and [TX] switches, turn power ON. • Display frequency : 12.2300 MHz • Mode : J3E • Connect an audio generator to the [MICROPHONE] connector and set as: Frequency : 1.5 kHz Level : 100 mV | Rear Panel | Connect an RF power meter to the [ANT] connector. | [GEN] versions: 17 W [EUR] versions: 120 W | Audio generator | Output level |
| | 2 | <ul style="list-style-type: none"> • Set the transmit power level: [GEN] versions: PO-1 [EUR] versions: PO-3 • Transmitting | | | Push the [DIMMER] switch. | Font Panel | [DIMMER] |
| MIC LIMITER for [GMDSS], [EUR] | 1 | <ul style="list-style-type: none"> • Display frequency : 12.2300 MHz • Mode : J3E • Disconnect the BFO plug (J5) on the MAIN unit. • Connect an audio generator to the [MICROPHONE] connector and set as: Frequency : 1.5 kHz Level : 150 mV • Transmitting | MAIN | Connect an oscilloscope to R243. | 130 mV PEP | LOGIC | R2070 |
| After adjustment, connect the BFO plug to the J5 on the MAIN unit. | | | | | | | |
| MIC GAIN | 1 | <ul style="list-style-type: none"> • Display frequency : 12.2300 MHz • Mode : J3E • Connect an audio generator to the [MICROPHONE] connector and set as: Frequency : 1.5 kHz Level : 10 mV • Transmitting | Rear Panel | Connect an RF meter to the [ANT] connector. | 100 W | LOGIC | R2066 |

[GEN]: [GEN-21], [GEN-22], [GEN-23] [EUR]: [EUR-21], [EUR-22]
[GMDSS]: [GEN-23], [EUR-22]

• MAIN AND LOGIC UNITS

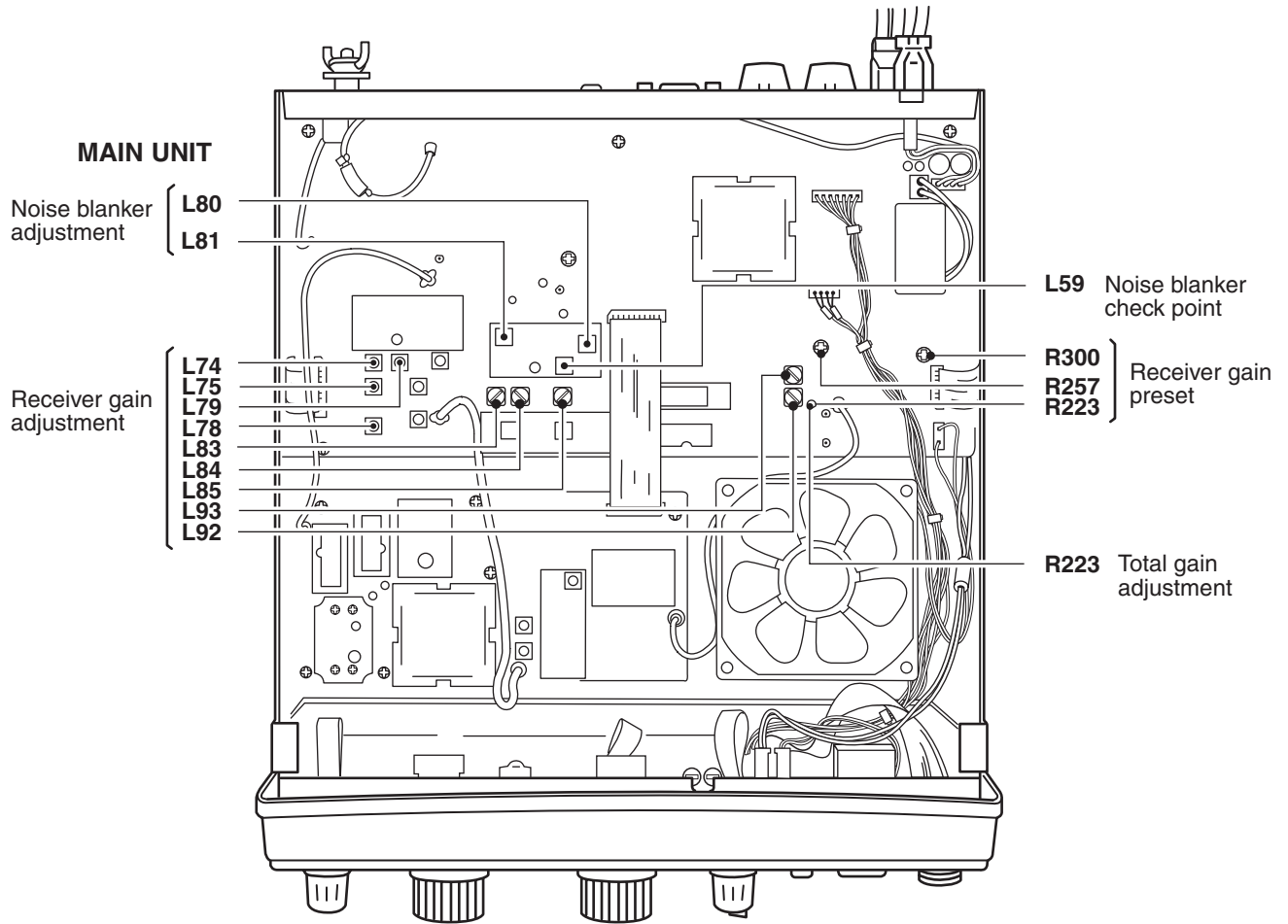


4-5 RECEIVER ADJUSTMENTS

| ADJUSTMENT | ADJUSTMENT CONDITION | MEASUREMENT | | VALUE | ADJUSTMENT POINT | |
|---------------|---|--|---|---|------------------|--|
| | | UNIT | LOCATION | | UNIT | ADJUST |
| RECEIVER GAIN | 1 <ul style="list-style-type: none"> • Display frequency : 2.1820 MHz • Mode : J3E • Noise blanker : OFF • Squelch : OFF • Speaker : OFF • AGC : ON • RF gain : 9 • R223 (MAIN unit) : Max. clockwise • R257 (MAIN unit) : Center • R300 (MAIN unit) : Center • Connect a standard signal generator to the [ANT] connector and set as: <ul style="list-style-type: none"> Frequency : 2.1835 MHz Level : 0.5 μV* (-113 dBm) Modulation : OFF • Receiving | Rear Panel | Connect an AC millivoltmeter to the [EXT SP] jack with a 4 Ω dummy load. | Maximum output level | MAIN | Adjust in sequence L74, L75, L78, L79, L83, L84, L85, L92, L93 |
| CLARITY | 1 <ul style="list-style-type: none"> • While pushing the [SQL] and [CE] switches, turn power ON. | Set the [CLARITY] control to the center position and push the [DIMMER] switch. | | | Front Panel | [CLARITY] |
| TOTAL GAIN | 1 <ul style="list-style-type: none"> • Display frequency : 12.2300 MHz • Mode : J3E • Connect a standard signal generator to the [ANT] connector and set as: <ul style="list-style-type: none"> Frequency : 12.2315 MHz Level : 0.32 mV* (-57 dBm) Modulation : OFF • Receiving | Rear Panel | Connect an AC millivoltmeter to the [EXT SP] jack with a 4 Ω dummy load. | 1.0 V | Front Panel | [VOLUME] |
| | 2 <ul style="list-style-type: none"> • Set the signal generator to OFF (no output). | | | -30 dB (32 mV) | MAIN | R223 |
| S-METER | 1 <ul style="list-style-type: none"> • While pushing the [SQL] and [RX] switches, turn power ON. • Display frequency : 12.2300 MHz • Mode : J3E • Connect a standard signal generator to the [ANT] connector and set as: <ul style="list-style-type: none"> Frequency : 12.2315 MHz Level : 3.2 mV* (-37 dBm) • Receiving | Function display | S/RF meter | Push the [DIMMER] switch and then verify the 7th dot just appears on the S/RF meter.  | Font Panel | [DIMMER] |
| NOISE BLANKER | 1 <ul style="list-style-type: none"> • Display frequency : 12.2300 MHz • Mode : J3E • Connect a standard signal generator to the [ANT] connector and set as: <ul style="list-style-type: none"> Frequency : 12.2315 MHz Level : 3.2 μV* (-97 dBm) Add the following signal into the signal generator output.  • Receiving | MAIN | Connect an oscilloscope to R59. | Adjust the maximum noise wave displayed on the oscilloscope. | MAIN | L80, L81 |

*This output level of the standard signal generator (SSG) is indicated as SSG's open circuit.

• MAIN UNIT



SECTION 5 PARTS LIST

[FRONT UNIT]

| REF NO. | ORDER NO. | DESCRIPTION | |
|---------|------------|-------------|----------------------|
| S2801 | 2260001580 | SWITCH | JPZ2120-0101 (TV-3) |
| SP2801 | 2510000441 | SPEAKER | F77G08-6205 |
| W2807 | 8900005340 | CABLE | OPC-522 (N:6 L:100) |
| W2808 | 8900005340 | CABLE | OPC-522 (N:6 L:100) |
| W2809 | 8900005370 | CABLE | OPC-524 (N:10 L:150) |
| W2810 | 8900005340 | CABLE | OPC-522 (N:6 L:100) |
| W2811 | 8900005340 | CABLE | OPC-522 (N:6 L:100) |
| WS1 | 8600034520 | M.OTHER | SX1632 P2801FR |
| WS2 | 8600034530 | M.OTHER | SX1632 P2802FR |

[LOGIC BOARD]

| REF NO. | ORDER NO. | DESCRIPTION | |
|---------|------------|--------------|--------------------------|
| IC2001 | 1140006930 | S.IC | HD6433834A95F SX-1632SA |
| IC2002 | 1140005130 | S.IC | HD66100F |
| IC2003 | 1110005710 | S.IC | S-80842CLUA-B63-T2 |
| IC2005 | 1180001460 | S.IC | μPC78L05T-E1 |
| IC2006 | 1180001450 | S.IC | μPC78L08T-E1 |
| IC2007 | 1110002550 | IC | TA7252AP |
| IC2008 | 1110000960 | S.IC | NJM4558M-TE1 |
| IC2009 | 1180000420 | S.IC | TA78L05F (TE12R) [GMDSS] |
| Q2002 | 1530001970 | S.TRANSISTOR | 2SC1623-T2B-L6 |
| Q2003 | 1520000290 | TRANSISTOR | 2SB1015-Y |
| Q2005 | 1530001970 | S.TRANSISTOR | 2SC1623-T2B-L6 |
| Q2006 | 1530001970 | S.TRANSISTOR | 2SC1623-T2B-L6 |
| Q2007 | 1590001380 | S.TRANSISTOR | DTC114EKA T146 |
| Q2008 | 1590001380 | S.TRANSISTOR | DTC114EKA T146 |
| Q2009 | 1530001970 | S.TRANSISTOR | 2SC1623-T2B-L6 |
| Q2011 | 1590001380 | S.TRANSISTOR | DTC114EKA T146 |
| Q2012 | 1590001380 | S.TRANSISTOR | DTC114EKA T146 |
| Q2013 | 1590001380 | S.TRANSISTOR | DTC114EKA T146 |
| D2001 | 1750000020 | S.DIODE | 1SS184 (TE85R) |
| D2002 | 1730000830 | S.ZENER | RD9.1M-T2B1 |
| D2003 | 1750000020 | S.DIODE | 1SS184 (TE85R) |
| D2004 | 1750000020 | S.DIODE | 1SS184 (TE85R) |
| D2005 | 1750000020 | S.DIODE | 1SS184 (TE85R) |
| D2006 | 1750000020 | S.DIODE | 1SS184 (TE85R) |
| D2007 | 1750000020 | S.DIODE | 1SS184 (TE85R) |
| D2008 | 1750000020 | S.DIODE | 1SS184 (TE85R) |
| D2009 | 1750000020 | S.DIODE | 1SS184 (TE85R) |
| D2010 | 1750000020 | S.DIODE | 1SS184 (TE85R) |
| X2001 | 6050009450 | XTAL | CR-513 (9.8304 MHz) |
| L2002 | 6910000670 | COIL | BL01RN1A1D2B |
| L2003 | 6910000670 | COIL | BL01RN1A1D2B |
| L2004 | 6200003260 | S.COIL | NL 322522T-101J |
| L2005 | 6910000670 | COIL | BL01RN1A1D2B |
| L2006 | 6200003260 | S.COIL | NL 322522T-101J |
| L2007 | 6200003260 | S.COIL | NL 322522T-101J |
| L2008 | 6200003260 | S.COIL | NL 322522T-101J |
| L2009 | 6200003260 | S.COIL | NL 322522T-101J |
| L2010 | 6170000140 | COIL | LW-15 |
| R2003 | 7030000520 | S.RESISTOR | MCR10EZHZ 15 kΩ |
| R2005 | 7030000400 | S.RESISTOR | MCR10EZHZ 1.5 kΩ |

[LOGIC BOARD]

| REF NO. | ORDER NO. | DESCRIPTION | |
|---------|------------|--------------|-------------------------------|
| R2007 | 7030000430 | S.RESISTOR | MCR10EZHZ 2.7 kΩ |
| R2009 | 7030000580 | S.RESISTOR | MCR10EZHZ 47 kΩ |
| R2011 | 7030000580 | S.RESISTOR | MCR10EZHZ 47 kΩ |
| R2012 | 7030000740 | S.RESISTOR | MCR10EZHZ 1 MΩ |
| R2013 | 7030000580 | S.RESISTOR | MCR10EZHZ 47 kΩ |
| R2014 | 7030000580 | S.RESISTOR | MCR10EZHZ 47 kΩ |
| R2015 | 7030000380 | S.RESISTOR | MCR10EZHZ 1 kΩ |
| R2016 | 7030000380 | S.RESISTOR | MCR10EZHZ 1 kΩ |
| R2017 | 7030000620 | S.RESISTOR | MCR10EZHZ 100 kΩ |
| R2018 | 7030000380 | S.RESISTOR | MCR10EZHZ 1 kΩ |
| R2019 | 7030000700 | S.RESISTOR | MCR10EZHZ 470 kΩ |
| R2020 | 7030000660 | S.RESISTOR | MCR10EZHZ 220 kΩ |
| R2021 | 7030000660 | S.RESISTOR | MCR10EZHZ 220 kΩ |
| R2022 | 7030000620 | S.RESISTOR | MCR10EZHZ 100 kΩ |
| R2024 | 7030000010 | S.RESISTOR | MCR10EZHZ JPW (000) |
| R2039 | 7030000580 | S.RESISTOR | MCR10EZHZ 47 kΩ |
| R2040 | 7030000560 | S.RESISTOR | MCR10EZHZ 33 kΩ |
| R2041 | 7030000460 | S.RESISTOR | MCR10EZHZ 4.7 kΩ |
| R2042 | 7030000580 | S.RESISTOR | MCR10EZHZ 47 kΩ |
| R2043 | 7030000520 | S.RESISTOR | MCR10EZHZ 15 kΩ |
| R2044 | 7030000500 | S.RESISTOR | MCR10EZHZ 10 kΩ |
| R2045 | 7030000500 | S.RESISTOR | MCR10EZHZ 10 kΩ |
| R2046 | 7030000500 | S.RESISTOR | MCR10EZHZ 10 kΩ |
| R2047 | 7030000470 | S.RESISTOR | MCR10EZHZ 5.6 kΩ |
| R2048 | 7030000380 | S.RESISTOR | MCR10EZHZ 1 kΩ |
| R2049 | 7030000580 | S.RESISTOR | MCR10EZHZ 47 kΩ |
| R2054 | 7010003241 | RESISTOR | PSD1/4V 47 Ω |
| R2055 | 7030000500 | S.RESISTOR | MCR10EZHZ 10 kΩ |
| R2056 | 7030000020 | S.RESISTOR | MCR10EZHZ 1 Ω (010) |
| R2057 | 7030000380 | S.RESISTOR | MCR10EZHZ 1 kΩ |
| R2058 | 7010003101 | RESISTOR | PSD1/4V 3.3 Ω |
| R2061 | 7030000260 | S.RESISTOR | MCR10EZHZ 100 Ω (101) |
| R2062 | 7030000440 | S.RESISTOR | MCR10EZHZ 3.3 kΩ |
| R2063 | 7030000300 | S.RESISTOR | MCR10EZHZ 220 Ω (221) |
| R2064 | 7030000610 | S.RESISTOR | MCR10EZHZ 82 kΩ |
| R2065 | 7030000620 | S.RESISTOR | MCR10EZHZ 100 kΩ |
| R2066 | 7310004980 | TRIMMER | KVSF639AC 103 10 kΩ |
| R2067 | 7030000540 | S.RESISTOR | MCR10EZHZ 22 kΩ |
| R2068 | 7030000610 | S.RESISTOR | MCR10EZHZ 82 kΩ |
| R2069 | 7030000380 | S.RESISTOR | MCR10EZHZ 1 kΩ |
| R2070 | 7310004960 | TRIMMER | KVSF639AC 104 100 kΩ |
| R2071 | 7030000400 | S.RESISTOR | MCR10EZHZ 1.5 kΩ |
| R2072 | 7030000360 | S.RESISTOR | MCR10EZHZ 680 Ω (681) |
| R2073 | 7030000340 | S.RESISTOR | MCR10EZHZ 470 Ω (471) |
| R2077 | 7030000530 | S.RESISTOR | MCR10EZHZ 18 kΩ |
| R2078 | 7030000500 | S.RESISTOR | MCR10EZHZ 10 kΩ |
| R2079 | 7030000530 | S.RESISTOR | MCR10EZHZ 18 kΩ |
| R2080 | 7030000500 | S.RESISTOR | MCR10EZHZ 10 kΩ |
| R2081 | 7030000530 | S.RESISTOR | MCR10EZHZ 18 kΩ |
| R2082 | 7030000500 | S.RESISTOR | MCR10EZHZ 10 kΩ |
| R2083 | 7030000530 | S.RESISTOR | MCR10EZHZ 18 kΩ |
| R2084 | 7030000530 | S.RESISTOR | MCR10EZHZ 18 kΩ |
| R2085 | 7030000580 | S.RESISTOR | MCR10EZHZ 47 kΩ |
| R2086 | 7030000540 | S.RESISTOR | MCR10EZHZ 22 kΩ |
| R2087 | 7030000520 | S.RESISTOR | MCR10EZHZ 15 kΩ |
| R2088 | 7030000580 | S.RESISTOR | MCR10EZHZ 47 kΩ |
| R2090 | 7030000240 | S.RESISTOR | MCR10EZHZ 68 Ω (680) [Others] |
| C2002 | 4030004740 | S.CERAMIC | C2012 JB 1H 472K-T |
| C2003 | 4030004740 | S.CERAMIC | C2012 JB 1H 472K-T |
| C2004 | 4030004740 | S.CERAMIC | C2012 JB 1H 472K-T |
| C2005 | 4030004880 | S.CERAMIC | C2012 CH 1H 120J-T |
| C2006 | 4030004880 | S.CERAMIC | C2012 CH 1H 120J-T |
| C2007 | 4030004750 | S.CERAMIC | C2012 JB 1H 103K-T |
| C2008 | 4310000520 | MYLAR | 50 F2D 224J |
| C2009 | 4030004750 | S.CERAMIC | C2012 JB 1H 103K-T |
| C2012 | 4510005150 | ELECTROLYTIC | 50 MV 10 HC |
| C2013 | 4030004740 | S.CERAMIC | C2012 JB 1H 472K-T |
| C2014 | 4030004740 | S.CERAMIC | C2012 JB 1H 472K-T |
| C2015 | 4030004740 | S.CERAMIC | C2012 JB 1H 472K-T |
| C2016 | 4030004740 | S.CERAMIC | C2012 JB 1H 472K-T |
| C2017 | 4030004740 | S.CERAMIC | C2012 JB 1H 472K-T |
| C2018 | 4030004740 | S.CERAMIC | C2012 JB 1H 472K-T |
| C2019 | 4030004740 | S.CERAMIC | C2012 JB 1H 472K-T |

[GEN]: [GEN-21], [GEN-22], [GEN-23] [EUR]: [EUR-21], [EUR-22]

[GMDSS]: [GEN-23], [EUR-22] [Others]: [GEN-21], [GEN-22], [EUR-21]

S.=Surface mount

[LOGIC BOARD]

| REF NO. | ORDER NO. | DESCRIPTION | |
|---------|------------|--------------|---------------------|
| C2020 | 4510004600 | ELECTROLYTIC | 16 MV 1000 HC |
| C2021 | 4030004740 | S.CERAMIC | C2012 JB 1H 472K-T |
| C2022 | 4510007480 | ELECTROLYTIC | 16 MV 470 CA |
| C2023 | 4030008960 | S.CERAMIC | C2012 JB 1C 104K-T |
| C2024 | 4510005120 | ELECTROLYTIC | 16 MV 47 HC |
| C2025 | 4510004990 | ELECTROLYTIC | 16 MV 100 HC |
| C2026 | 4510005120 | ELECTROLYTIC | 16 MV 47 HC |
| C2027 | 4030004740 | S.CERAMIC | C2012 JB 1H 472K-T |
| C2028 | 4510008400 | ELECTROLYTIC | 25 MV 22 HC |
| C2029 | 4510008400 | ELECTROLYTIC | 25 MV 22 HC |
| C2030 | 4030004740 | S.CERAMIC | C2012 JB 1H 472K-T |
| C2031 | 4510005490 | ELECTROLYTIC | 50 MV 2R2 HC |
| C2032 | 4510005480 | ELECTROLYTIC | 50 MV 1 HC |
| C2033 | 4510005480 | ELECTROLYTIC | 50 MV 1 HC |
| C2034 | 4510008410 | ELECTROLYTIC | 25 MV 4R7 HC |
| C2035 | 4510008410 | ELECTROLYTIC | 25 MV 4R7 HC |
| C2036 | 4510005120 | ELECTROLYTIC | 16 MV 47 HC |
| C2037 | 4510008410 | ELECTROLYTIC | 25 MV 4R7 HC |
| C2038 | 4510005500 | ELECTROLYTIC | 16 MV 10 HC |
| C2039 | 4030004740 | S.CERAMIC | C2012 JB 1H 472K-T |
| C2040 | 4510005120 | ELECTROLYTIC | 16 MV 47 HC |
| C2041 | 4030004740 | S.CERAMIC | C2012 JB 1H 472K-T |
| C2042 | 4510005120 | ELECTROLYTIC | 16 MV 47 HC |
| C2043 | 4030004740 | S.CERAMIC | C2012 JB 1H 472K-T |
| C2044 | 4510005500 | ELECTROLYTIC | 16 MV 10 HC |
| C2049 | 4030008960 | S.CERAMIC | C2012 JB 1C 104K-T |
| C2050 | 4030008960 | S.CERAMIC | C2012 JB 1C 104K-T |
| C2051 | 4510008400 | ELECTROLYTIC | 25 MV 22 HC |
| C2052 | 4030004740 | S.CERAMIC | C2012 JB 1H 472K-T |
| C2053 | 4030004740 | S.CERAMIC | C2012 JB 1H 472K-T |
| C2054 | 4510005120 | ELECTROLYTIC | 16 MV 47 HC |
| C2060 | 4310000480 | MYLAR | 50 F2D 104J |
| RL2001 | 6330001330 | RELAY | AG 201344 |
| J2007 | 6510003390 | CONNECTOR | B03B-EH-S |
| J2008 | 6510018381 | CONNECTOR | 10FE-BT-VK-N |
| J2009 | 6510018391 | CONNECTOR | 06FE-BT-VK-N |
| J2010 | 6510018391 | CONNECTOR | 06FE-BT-VK-N |
| J2011 | 6510018391 | CONNECTOR | 06FE-BT-VK-N |
| J2012 | 6510018391 | CONNECTOR | 06FE-BT-VK-N |
| J2013 | 6510010020 | CONNECTOR | RTB-1.5-2F |
| J2014 | 6510010020 | CONNECTOR | RTB-1.5-2F |
| J2016 | 6510003400 | CONNECTOR | B04B-EH-S |
| DS2001 | 5080000305 | LAMP | HRT-3290A-F |
| DS2002 | 5080000305 | LAMP | HRT-3290A-F |
| DS2003 | 5080000305 | LAMP | HRT-3290A-F |
| DS2004 | 5010000180 | LCD | DLC-7978P |
| DS2005 | 5080000150 | LAMP | HRS-7219A |
| S2003 | 2260002230 | SWITCH | SW-158 (SKHHPM) |
| S2004 | 2260002230 | SWITCH | SW-158 (SKHHPM) |
| S2005 | 2260002230 | SWITCH | SW-158 (SKHHPM) |
| S2006 | 2260002230 | SWITCH | SW-158 (SKHHPM) |
| S2007 | 2260002230 | SWITCH | SW-158 (SKHHPM) |
| S2008 | 2260002230 | SWITCH | SW-158 (SKHHPM) |
| S2009 | 2260002230 | SWITCH | SW-158 (SKHHPM) |
| S2010 | 2260002230 | SWITCH | SW-158 (SKHHPM) |
| S2011 | 2260002230 | SWITCH | SW-158 (SKHHPM) |
| S2012 | 2260002230 | SWITCH | SW-158 (SKHHPM) |
| S2013 | 2260002230 | SWITCH | SW-158 (SKHHPM) |
| S2014 | 2260002230 | SWITCH | SW-158 (SKHHPM) |
| S2015 | 2260002230 | SWITCH | SW-158 (SKHHPM) |
| S2016 | 2260002230 | SWITCH | SW-158 (SKHHPM) |
| S2017 | 2260002230 | SWITCH | SW-158 (SKHHPM) |
| S2018 | 2260002230 | SWITCH | SW-158 (SKHHPM) |
| S2019 | 2260002230 | SWITCH | SW-158 (SKHHPM) |
| S2020 | 2260002230 | SWITCH | SW-158 (SKHHPM) |
| S2021 | 2260002230 | SWITCH | SW-158 (SKHHPM) |
| S2022 | 2260002230 | SWITCH | SW-158 (SKHHPM) |
| S2023 | 2260002230 | SWITCH | SW-158 (SKHHPM) |
| S2024 | 2260002230 | SWITCH | SW-158 (SKHHPM) |
| S2025 | 2260002230 | SWITCH | SW-158 (SKHHPM) |
| S2026 | 2260002230 | SWITCH | SW-158 (SKHHPM) |
| S2027 | 2260002230 | SWITCH | SW-158 (SKHHPM) |
| W2012 | 7030000010 | S.RESISTOR | MCR10EZHZ JPW (000) |
| W2013 | 7030000010 | S.RESISTOR | MCR10EZHZ JPW (000) |

[LOGIC BOARD]

| REF NO. | ORDER NO. | DESCRIPTION | |
|---------|------------|-------------|----------------------|
| W2014 | 7030000010 | S.RESISTOR | MCR10EZHZ JPW (000) |
| W2015 | 7030000010 | S.RESISTOR | MCR10EZHZ JPW (000) |
| W2018 | 7030000010 | S.RESISTOR | MCR10EZHZ JPW (000) |
| W2019 | 7030000010 | S.RESISTOR | MCR10EZHZ JPW (000) |
| WS1 | 8600034540 | M.OTHER | SX1632 P2002*J2002L0 |
| WS2 | 8600034550 | M.OTHER | SX1632 P2003*J2003L0 |
| WS3 | 8600036420 | M.OTHER | SX1632 P2004L0 |
| | 8970023230 | M.OTHER | SX1632 LEAD SET |
| EP2001 | 0910045067 | PCB | B 4252G |

[SENSOR1 BOARD]

| REF NO. | ORDER NO. | DESCRIPTION | |
|---------|------------|-------------|---------------|
| J2601 | 6510018391 | CONNECTOR | 06FE-BT-VK-N |
| S2601 | 2250000020 | ENCODER | SRB18100 25KC |
| EP2601 | 0910044811 | PCB | B 4366A |

[SENSOR2 BOARD]

| REF NO. | ORDER NO. | DESCRIPTION | |
|---------|------------|-------------|---------------|
| J2701 | 6510018391 | CONNECTOR | 06FE-BT-VK-N |
| S2701 | 2250000020 | ENCODER | SRB18100 25KC |
| EP2701 | 0910044811 | PCB | B 4366A |

[MAIN UNIT]

| REF NO. | ORDER NO. | DESCRIPTION | |
|---------|------------|-------------|------------------|
| IC4 | 1160000130 | S.IC | TD62783AF (S,EL) |
| IC5 | 1160000130 | S.IC | TD62783AF (S,EL) |
| IC6 | 1160000130 | S.IC | TD62783AF (S,EL) |
| IC8 | 1110003140 | IC | LA1150N |
| IC9 | 1110004840 | S.IC | NJM1496V-TE1 |
| IC10 | 1110004840 | S.IC | NJM1496V-TE1 |
| IC11 | 1130011190 | S.IC | BU4011BF-E2 |
| IC12 | 1140003830 | S.IC | TC4W66F (TE12L) |
| IC16 | 1110000960 | S.IC | NJM4558M-TE1 |
| IC17 | 1110000960 | S.IC | NJM4558M-TE1 |
| IC18 | 1110000960 | S.IC | NJM4558M-TE1 |
| IC19 | 1110000960 | S.IC | NJM4558M-TE1 |
| IC20 | 1110000960 | S.IC | NJM4558M-TE1 |
| IC21 | 1110000960 | S.IC | NJM4558M-TE1 |
| IC22 | 1130011170 | S.IC | BU4001BF-E2 |
| IC23 | 1110001400 | S.IC | µPC1555G2-T1 |
| IC24 | 1180001250 | S.IC | TA7808F (TE16L) |
| IC27 | 1170000280 | S.IC | TLP121 (GB-TPL) |
| IC31 | 1130008630 | S.IC | MC14028BF-EL |
| IC32 | 1130003760 | S.IC | TC4S81F (TE85R) |
| IC33 | 1130003760 | S.IC | TC4S81F (TE85R) |
| IC34 | 1130011200 | S.IC | BU4069UBF-E2 |
| IC35 | 1130008650 | S.IC | MC14071BF-EL |
| IC36 | 1110003300 | S.IC | M5282FP 70CD |

[GEN]: [GEN-21], [GEN-22], [GEN-23] [EUR]: [EUR-21], [EUR-22]
 [GMDSS]: [GEN-23], [EUR-22] [Others]: [GEN-21], [GEN-22], [EUR-21]

S.=Surface mount

[MAIN UNIT]

| REF NO. | ORDER NO. | DESCRIPTION | |
|---------|------------|--------------|------------------------|
| IC38 | 1140003830 | S.IC | TC4W66F (TE12L) |
| IC39 | 1140003830 | S.IC | TC4W66F (TE12L) |
| IC131 | 1180000420 | S.IC | TA78L05F (TE12R) |
| IC132 | 1140006940 | S.IC | HD6433378B26F SX-1632A |
| IC133 | 1110005710 | S.IC | S-80842CLUA-B63-T2 |
| IC134 | 1130007290 | S.IC | 24LC16BT-I/SN |
| IC135 | 1130007290 | S.IC | 24LC16BT-I/SN |
| Q1 | 1530003150 | S.TRANSISTOR | 2SC4673D-TD |
| Q2 | 1580000620 | S.FET | 3SK131-T2 MAS |
| Q3 | 1580000620 | S.FET | 3SK131-T2 MAS |
| Q4 | 1580000620 | S.FET | 3SK131-T2 MAS |
| Q5 | 1530003150 | S.TRANSISTOR | 2SC4673D-TD |
| Q6 | 1560000720 | S.FET | 2SK2171-4-TD |
| Q7 | 1560000720 | S.FET | 2SK2171-4-TD |
| Q8 | 1580000620 | S.FET | 3SK131-T2 MAS |
| Q9 | 1560000330 | S.FET | 2SK210-GR (TE85R) |
| Q10 | 1510000770 | S.TRANSISTOR | 2SA1586-GR (TE85R) |
| Q11 | 1530002690 | S.TRANSISTOR | 2SC4116-GR (TE85R) |
| Q12 | 1530002690 | S.TRANSISTOR | 2SC4116-GR (TE85R) |
| Q13 | 1530002690 | S.TRANSISTOR | 2SC4116-GR (TE85R) |
| Q14 | 1590001330 | S.TRANSISTOR | DTA114EUA T106 |
| Q15 | 1590000680 | S.TRANSISTOR | DTC114EUA T106 |
| Q16 | 1580000620 | S.FET | 3SK131-T2 MAS |
| Q17 | 1540000440 | S.TRANSISTOR | 2SD1619-TD |
| Q18 | 1530002690 | S.TRANSISTOR | 2SC4116-GR (TE85R) |
| Q19 | 1580000620 | S.FET | 3SK131-T2 MAS |
| Q20 | 1590000680 | S.TRANSISTOR | DTC114EUA T106 |
| Q21 | 1590000680 | S.TRANSISTOR | DTC114EUA T106 |
| Q22 | 1590000680 | S.TRANSISTOR | DTC114EUA T106 |
| Q23 | 1530002690 | S.TRANSISTOR | 2SC4116-GR (TE85R) |
| Q24 | 1590000680 | S.TRANSISTOR | DTC114EUA T106 |
| Q25 | 1590000680 | S.TRANSISTOR | DTC114EUA T106 |
| Q26 | 1510000770 | S.TRANSISTOR | 2SA1586-GR (TE85R) |
| Q27 | 1530002690 | S.TRANSISTOR | 2SC4116-GR (TE85R) |
| Q28 | 1590000680 | S.TRANSISTOR | DTC114EUA T106 |
| Q30 | 1530002690 | S.TRANSISTOR | 2SC4116-GR (TE85R) |
| Q31 | 1530003090 | S.TRANSISTOR | 2SC4213-B (TE85R) |
| Q32 | 1580000620 | S.FET | 3SK131-T2 MAS |
| Q33 | 1580000620 | S.FET | 3SK131-T2 MAS |
| Q34 | 1530002690 | S.TRANSISTOR | 2SC4116-GR (TE85R) |
| Q35 | 1590000680 | S.TRANSISTOR | DTC114EUA T106 |
| Q36 | 1590001330 | S.TRANSISTOR | DTA114EUA T106 |
| Q40 | 1590000680 | S.TRANSISTOR | DTC114EUA T106 |
| Q41 | 1530003090 | S.TRANSISTOR | 2SC4213-B (TE85R) |
| Q42 | 1590000680 | S.TRANSISTOR | DTC114EUA T106 |
| Q43 | 1590000680 | S.TRANSISTOR | DTC114EUA T106 |
| Q44 | 1590001330 | S.TRANSISTOR | DTA114EUA T106 |
| Q45 | 1530002690 | S.TRANSISTOR | 2SC4116-GR (TE85R) |
| Q46 | 1590000680 | S.TRANSISTOR | DTC114EUA T106 |
| Q52 | 1530002690 | S.TRANSISTOR | 2SC4116-GR (TE85R) |
| Q54 | 1540000440 | S.TRANSISTOR | 2SD1619-TD |
| Q55 | 1590000680 | S.TRANSISTOR | DTC114EUA T106 |
| Q56 | 1590000680 | S.TRANSISTOR | DTC114EUA T106 |
| Q57 | 1530002690 | S.TRANSISTOR | 2SC4116-GR (TE85R) |
| Q58 | 1530003300 | S.TRANSISTOR | 2SC3647S-TD |
| Q59 | 1530002690 | S.TRANSISTOR | 2SC4116-GR (TE85R) |
| Q60 | 1530002690 | S.TRANSISTOR | 2SC4116-GR (TE85R) |
| Q61 | 1540000440 | S.TRANSISTOR | 2SD1619-TD |
| Q62 | 1540000440 | S.TRANSISTOR | 2SD1619-TD |
| Q64 | 1530002690 | S.TRANSISTOR | 2SC4116-GR (TE85R) |
| Q65 | 1590000680 | S.TRANSISTOR | DTC114EUA T106 |
| Q69 | 1590000680 | S.TRANSISTOR | DTC114EUA T106 |
| Q70 | 1530002690 | S.TRANSISTOR | 2SC4116-GR (TE85R) |
| Q71 | 1590001330 | S.TRANSISTOR | DTA114EUA T106 |
| Q72 | 1590000680 | S.TRANSISTOR | DTC114EUA T106 |
| Q74 | 1590001330 | S.TRANSISTOR | DTA114EUA T106 |
| Q78 | 1530002690 | S.TRANSISTOR | 2SC4116-GR (TE85R) |
| Q79 | 1590000680 | S.TRANSISTOR | DTC114EUA T106 |
| Q80 | 1590000680 | S.TRANSISTOR | DTC114EUA T106 |
| Q82 | 1530002690 | S.TRANSISTOR | 2SC4116-GR (TE85R) |
| Q83 | 1590000680 | S.TRANSISTOR | DTC114EUA T106 |
| Q84 | 1590000680 | S.TRANSISTOR | DTC114EUA T106 |
| Q101 | 1510000770 | S.TRANSISTOR | 2SA1586-GR (TE85R) |
| Q102 | 1590000680 | S.TRANSISTOR | DTC114EUA T106 |
| Q103 | 1530002690 | S.TRANSISTOR | 2SC4116-GR (TE85R) |
| Q104 | 1530002690 | S.TRANSISTOR | 2SC4116-GR (TE85R) |
| Q106 | 1510000770 | S.TRANSISTOR | 2SA1586-GR (TE85R) |
| Q111 | 1510000770 | S.TRANSISTOR | 2SA1586-GR (TE85R) |
| Q113 | 1530002690 | S.TRANSISTOR | 2SC4116-GR (TE85R) |
| Q114 | 1530002690 | S.TRANSISTOR | 2SC4116-GR (TE85R) |

[MAIN UNIT]

| REF NO. | ORDER NO. | DESCRIPTION | |
|---------|------------|--------------|----------------------------|
| Q115 | 1590000680 | S.TRANSISTOR | DTC114EUA T106 |
| Q118 | 1530002690 | S.TRANSISTOR | 2SC4116-GR (TE85R) [GMDSS] |
| Q119 | 1530002690 | S.TRANSISTOR | 2SC4116-GR (TE85R) |
| Q122 | 1590000680 | S.TRANSISTOR | DTC114EUA T106 |
| Q123 | 1590000680 | S.TRANSISTOR | DTC114EUA T106 |
| Q124 | 1590000680 | S.TRANSISTOR | DTC114EUA T106 |
| Q125 | 1590000680 | S.TRANSISTOR | DTC114EUA T106 |
| Q126 | 1560000330 | S.FET | 2SK210-GR (TE85R) |
| Q128 | 1530002690 | S.TRANSISTOR | 2SC4116-GR (TE85R) |
| Q129 | 1590000680 | S.TRANSISTOR | DTC114EUA T106 |
| Q130 | 1590001330 | S.TRANSISTOR | DTA114EUA T106 |
| Q131 | 1530002690 | S.TRANSISTOR | 2SC4116-GR (TE85R) |
| Q132 | 1590000680 | S.TRANSISTOR | DTC114EUA T106 |
| Q135 | 1590001330 | S.TRANSISTOR | DTA114EUA T106 |
| Q137 | 1530002690 | S.TRANSISTOR | 2SC4116-GR (TE85R) |
| Q138 | 1540000440 | S.TRANSISTOR | 2SD1619-TD |
| Q139 | 1530002690 | S.TRANSISTOR | 2SC4116-GR (TE85R) |
| Q140 | 1590000680 | S.TRANSISTOR | DTC114EUA T106 |
| D1 | 1790000450 | S.DIODE | MA862 (TX) |
| D2 | 1790000450 | S.DIODE | MA862 (TX) |
| D3 | 1790000620 | S.DIODE | MA77 (TX) |
| D4 | 1790000620 | S.DIODE | MA77 (TX) |
| D5 | 1790000450 | S.DIODE | MA862 (TX) |
| D6 | 1790000450 | S.DIODE | MA862 (TX) |
| D7 | 1790000450 | S.DIODE | MA862 (TX) |
| D8 | 1790000450 | S.DIODE | MA862 (TX) |
| D9 | 1790000450 | S.DIODE | MA862 (TX) |
| D10 | 1790000450 | S.DIODE | MA862 (TX) |
| D11 | 1790000450 | S.DIODE | MA862 (TX) |
| D12 | 1790000450 | S.DIODE | MA862 (TX) |
| D13 | 1790000450 | S.DIODE | MA862 (TX) |
| D14 | 1790000450 | S.DIODE | MA862 (TX) |
| D15 | 1790000450 | S.DIODE | MA862 (TX) |
| D16 | 1790000450 | S.DIODE | MA862 (TX) |
| D17 | 1790000690 | S.DIODE | HSM88ASR-TR |
| D18 | 1790000620 | S.DIODE | MA77 (TX) |
| D19 | 1710001020 | DIODE | XB15A204 |
| D20 | 1750000270 | S.DIODE | 1SS301 (TE85R) |
| D21 | 1790000450 | S.DIODE | MA862 (TX) |
| D22 | 1790000450 | S.DIODE | MA862 (TX) |
| D23 | 1790000450 | S.DIODE | MA862 (TX) |
| D24 | 1790000450 | S.DIODE | MA862 (TX) |
| D25 | 1790000450 | S.DIODE | MA862 (TX) |
| D26 | 1790000450 | S.DIODE | MA862 (TX) |
| D27 | 1750000270 | S.DIODE | 1SS301 (TE85R) |
| D28 | 1750000270 | S.DIODE | 1SS301 (TE85R) |
| D30 | 1790000450 | S.DIODE | MA862 (TX) |
| D31 | 1790000690 | S.DIODE | HSM88ASR-TR |
| D32 | 1750000520 | S.DIODE | DAN222TL |
| D33 | 1790000450 | S.DIODE | MA862 (TX) |
| D34 | 1750000520 | S.DIODE | DAN222TL |
| D35 | 1750000270 | S.DIODE | 1SS301 (TE85R) |
| D36 | 1750000270 | S.DIODE | 1SS301 (TE85R) |
| D37 | 1750000270 | S.DIODE | 1SS301 (TE85R) |
| D38 | 1730000120 | ZENER | RD6.2E B2 |
| D39 | 1790000690 | S.DIODE | HSM88ASR-TR |
| D40 | 1750000300 | S.DIODE | 1SS302 (TE85R) |
| D41 | 1750000270 | S.DIODE | 1SS301 (TE85R) |
| D42 | 1750000270 | S.DIODE | 1SS301 (TE85R) |
| D43 | 1750000270 | S.DIODE | 1SS301 (TE85R) |
| D45 | 1750000270 | S.DIODE | 1SS301 (TE85R) |
| D46 | 1790000690 | S.DIODE | HSM88ASR-TR |
| D47 | 1750000270 | S.DIODE | 1SS301 (TE85R) |
| D48 | 1750000270 | S.DIODE | 1SS301 (TE85R) |
| D49 | 1790000450 | S.DIODE | MA862 (TX) |
| D50 | 1750000520 | S.DIODE | DAN222TL |
| D51 | 1790000450 | S.DIODE | MA862 (TX) |
| D52 | 1790000890 | S.DIODE | ND433G [EUR] |
| D53 | 1750000270 | S.DIODE | 1SS301 (TE85R) |
| D59 | 1750000270 | S.DIODE | 1SS301 (TE85R) |
| D60 | 1750000270 | S.DIODE | 1SS301 (TE85R) |
| D61 | 1750000270 | S.DIODE | 1SS301 (TE85R) |
| D62 | 1750000270 | S.DIODE | 1SS301 (TE85R) |
| D63 | 1750000270 | S.DIODE | 1SS301 (TE85R) |
| D65 | 1750000270 | S.DIODE | 1SS301 (TE85R) |
| D66 | 1750000270 | S.DIODE | 1SS301 (TE85R) |
| D68 | 1750000270 | S.DIODE | 1SS301 (TE85R) |
| D69 | 1750000300 | S.DIODE | 1SS302 (TE85R) |
| D70 | 1750000300 | S.DIODE | 1SS302 (TE85R) |
| D73 | 1730000210 | ZENER | RD9.1E B3 |

[GEN]: [GEN-21], [GEN-22], [GEN-23] [EUR]: [EUR-21], [EUR-22]
 [GMDSS]: [GEN-23], [EUR-22] [Others]: [GEN-21], [GEN-22], [EUR-21]

S.=Surface mount

[MAIN UNIT]

| REF NO. | ORDER NO. | DESCRIPTION | |
|---------|------------|-------------|-----------------------|
| D74 | 1730000100 | ZENER | RD5.1E B2 |
| D75 | 1750000300 | S.DIODE | 1SS302 (TE85R) |
| D76 | 1750000300 | S.DIODE | 1SS302 (TE85R) |
| D79 | 1750000270 | S.DIODE | 1SS301 (TE85R) |
| D88 | 1790000690 | S.DIODE | HSM88ASR-TR |
| D89 | 1750000270 | S.DIODE | 1SS301 (TE85R) |
| D90 | 1750000270 | S.DIODE | 1SS301 (TE85R) |
| D97 | 1750000270 | S.DIODE | 1SS301 (TE85R) |
| D98 | 1750000270 | S.DIODE | 1SS301 (TE85R) |
| D99 | 1790000450 | S.DIODE | MA862 (TX) |
| D100 | 1750000300 | S.DIODE | 1SS302 (TE85R) |
| D101 | 1750000300 | S.DIODE | 1SS302 (TE85R) |
| D102 | 1750000270 | S.DIODE | 1SS301 (TE85R) |
| D103 | 1750000270 | S.DIODE | 1SS301 (TE85R) |
| D201 | 1710000160 | DIODE | 1SS133 |
| D202 | 1710000160 | DIODE | 1SS133 |
| D203 | 1710000160 | DIODE | 1SS133 |
| D204 | 1710000160 | DIODE | 1SS133 |
| D205 | 1710000160 | DIODE | 1SS133 |
| D206 | 1710000160 | DIODE | 1SS133 |
| D207 | 1710000160 | DIODE | 1SS133 |
| D209 | 1750000270 | S.DIODE | 1SS301 (TE85R) |
| D210 | 1750000270 | S.DIODE | 1SS301 (TE85R) |
| D211 | 1750000270 | S.DIODE | 1SS301 (TE85R) |
| D212 | 1750000270 | S.DIODE | 1SS301 (TE85R) |
| D213 | 1750000300 | S.DIODE | 1SS302 (TE85R) |
| D214 | 1750000300 | S.DIODE | 1SS302 (TE85R) |
| D215 | 1750000300 | S.DIODE | 1SS302 (TE85R) |
| D217 | 1750000270 | S.DIODE | 1SS301 (TE85R) |
| D218 | 1750000300 | S.DIODE | 1SS302 (TE85R) |
| D220 | 1730000250 | ZENER | RD12E B2 |
| D222 | 1750000270 | S.DIODE | 1SS301 (TE85R) |
| D223 | 1750000270 | S.DIODE | 1SS301 (TE85R) |
| D224 | 1730000500 | ZENER | RD13E B2 |
| D225 | 1750000270 | S.DIODE | 1SS301 (TE85R) |
| D226 | 1750000270 | S.DIODE | 1SS301 (TE85R) |
| D227 | 1750000270 | S.DIODE | 1SS301 (TE85R) |
| D228 | 1750000270 | S.DIODE | 1SS301 (TE85R) |
| D235 | 1750000810 | S.DIODE | UM9957F/TR |
| D236 | 1750000810 | S.DIODE | UM9957F/TR |
| D241 | 1790001240 | S.DIODE | MA2S728-(TX) |
| D242 | 1790001240 | S.DIODE | MA2S728-(TX) |
| D243 | 1730002360 | S.ZENER | MA8062-M (TX) |
| D244 | 1710000160 | DIODE | 1SS133 |
| F11 | 2010001010 | FILTER | 69M15B (FL-120) |
| F12 | 2010000320 | FILTER | 9M22D2 (FL-30) |
| | 2010000600 | FILTER | 9M26F (FL-80) |
| F13 | 2010000950 | FILTER | 9M 6A1 (FL-116) |
| F14 | 2010000950 | FILTER | 9M 6A1 (FL-116) |
| F15 | 2010001860 | FILTER | FL-232 (9.010600 MHz) |
| X2 | 6050009660 | S.XTAL | MA-406 (9.8304 MHz) |
| L1 | 6140000060 | COIL | LR-18 |
| L2 | 6180002480 | COIL | LAL 03NA 820K |
| L3 | 6200002960 | S.COIL | NL 322522T-4R7J-3 |
| L4 | 6200003100 | S.COIL | NL 322522T-3R9J-3 |
| L7 | 6200003260 | S.COIL | NL 322522T-101J |
| L8 | 6200002960 | S.COIL | NL 322522T-4R7J-3 |
| L9 | 6200003320 | S.COIL | NL 322522T-3R3J-3 |
| L10 | 6200003100 | S.COIL | NL 322522T-3R9J-3 |
| L11 | 6200001850 | S.COIL | NL 322522T-5R6J |
| L12 | 6200003260 | S.COIL | NL 322522T-101J |
| L13 | 6200002990 | S.COIL | NL 322522T-2R2J-3 |
| L14 | 6200002990 | S.COIL | NL 322522T-2R2J-3 |
| L15 | 6200002990 | S.COIL | NL 322522T-2R2J-3 |
| L16 | 6200003080 | S.COIL | NL 322522T-1R8J-3 |
| L17 | 6200003260 | S.COIL | NL 322522T-101J |
| L18 | 6200003070 | S.COIL | NL 322522T-1R5J-3 |
| L19 | 6200003070 | S.COIL | NL 322522T-1R5J-3 |
| L20 | 6200003080 | S.COIL | NL 322522T-1R8J-3 |
| L21 | 6200003060 | S.COIL | NL 322522T-1R2J-3 |
| L22 | 6200003260 | S.COIL | NL 322522T-101J |
| L23 | 6200001720 | S.COIL | NL 322522T-1R0J |
| L24 | 6200001720 | S.COIL | NL 322522T-1R0J |
| L25 | 6200001720 | S.COIL | NL 322522T-1R0J |
| L26 | 6200003050 | S.COIL | NL 322522T-R82J-3 |
| L27 | 6200003260 | S.COIL | NL 322522T-101J |

[EUR]

[GEN]

[EUR]

[GMDSS]

[MAIN UNIT]

| REF NO. | ORDER NO. | DESCRIPTION | |
|---------|------------|-------------|-------------------------|
| L28 | 6200003050 | S.COIL | NL 322522T-R82J-3 |
| L29 | 6200003040 | S.COIL | NL 322522T-R68J-3 |
| L30 | 6200003040 | S.COIL | NL 322522T-R68J-3 |
| L31 | 6200003040 | S.COIL | NL 322522T-R68J-3 |
| L32 | 6200003260 | S.COIL | NL 322522T-101J |
| L33 | 6200003040 | S.COIL | NL 322522T-R68J-3 |
| L34 | 6200003030 | S.COIL | NL 322522T-R47J-3 |
| L35 | 6200003030 | S.COIL | NL 322522T-R47J-3 |
| L36 | 6200002980 | S.COIL | NL 322522T-R56J-3 |
| L37 | 6200003260 | S.COIL | NL 322522T-101J |
| L38 | 6200003030 | S.COIL | NL 322522T-R47J-3 |
| L39 | 6200003250 | S.COIL | NL 322522T-R39J-3 |
| L40 | 6200003250 | S.COIL | NL 322522T-R39J-3 |
| L41 | 6200003250 | S.COIL | NL 322522T-R39J-3 |
| L42 | 6200003260 | S.COIL | NL 322522T-101J |
| L43 | 6200003020 | S.COIL | NL 322522T-R33J-3 |
| L44 | 6200003010 | S.COIL | NL 322522T-R27J-3 |
| L45 | 6200003010 | S.COIL | NL 322522T-R27J-3 |
| L46 | 6200003020 | S.COIL | NL 322522T-R33J-3 |
| L49 | 6200001850 | S.COIL | NL 322522T-5R6J |
| L50 | 6200002960 | S.COIL | NL 322522T-4R7J-3 |
| L51 | 6180001710 | COIL | LAL 03NA 561K |
| L52 | 6140002060 | COIL | LR-225 (RIB3X6.5X3 3A6) |
| L53 | 6180001710 | COIL | LAL 03NA 561K |
| L54 | 6200003260 | S.COIL | NL 322522T-101J |
| L55 | 6200001720 | S.COIL | NL 322522T-1R0J |
| L56 | 6200003040 | S.COIL | NL 322522T-R68J-3 |
| L57 | 6200003260 | S.COIL | NL 322522T-101J |
| L58 | 6140002220 | COIL | LR-270 (TR6X3X2 3A9) |
| L59 | 6150004270 | COIL | LS-483A (C-14924) |
| L60 | 6140000930 | COIL | LR-116 |
| L61 | 6200001830 | S.COIL | NL 322522T-100J |
| L62 | 6200003020 | S.COIL | NL 322522T-R33J-3 |
| L63 | 6200003000 | S.COIL | NL 322522T-R22J-3 |
| L64 | 6150004280 | COIL | LS-484B (C-14927) |
| L65 | 6150004280 | COIL | LS-484B (C-14927) |
| L66 | 6140002060 | COIL | LR-225 (RIB3X6.5X3 3A6) |
| L67 | 6140002060 | COIL | LR-225 (RIB3X6.5X3 3A6) |
| L69 | 6200003060 | S.COIL | NL 322522T-1R2J-3 |
| L70 | 6200003060 | S.COIL | NL 322522T-1R2J-3 |
| L71 | 6200003000 | S.COIL | NL 322522T-R22J-3 |
| L72 | 6200003010 | S.COIL | NL 322522T-R27J-3 |
| L73 | 6140000930 | COIL | LR-116 |
| L74 | 6150004270 | COIL | LS-483A (C-14924) |
| L75 | 6150002430 | COIL | LS-254 |
| L76 | 6110001620 | COIL | LA-245 |
| L77 | 6200001830 | S.COIL | NL 322522T-100J |
| L78 | 6150004280 | COIL | LS-484B (C-14927) |
| L79 | 6150004250 | COIL | LS-471A (C-14922) |
| L80 | 6150004050 | COIL | LS-466 |
| L81 | 6150004050 | COIL | LS-466 |
| L82 | 6200003260 | S.COIL | NL 322522T-101J |
| L83 | 6150004310 | COIL | LS-487A (C-14930) |
| L84 | 6150004290 | COIL | LS-485A (C-14928) |
| L85 | 6150004290 | COIL | LS-485A (C-14928) |
| L86 | 6200001830 | S.COIL | NL 322522T-100J |
| L87 | 6140001600 | COIL | LR-178 |
| L88 | 6150001590 | COIL | LS-175 |
| L89 | 6150001590 | COIL | LS-175 |
| L90 | 6200003140 | S.COIL | NL 322522T-150J |
| L91 | 6200003140 | S.COIL | NL 322522T-150J |
| L92 | 6150004430 | COIL | LS-501 (C-14872) |
| L93 | 6150004300 | COIL | LS-486A (C-14929) |
| L94 | 2040000490 | COIL | EXC-ELDR25C |
| L95 | 6180000960 | COIL | LAL 03NA 102K |
| L96 | 6180000960 | COIL | LAL 03NA 102K |
| L100 | 6200003090 | S.COIL | NL 322522T-2R7J-3 |
| L101 | 2040000490 | COIL | EXC-ELDR25C |
| L102 | 2040000490 | COIL | EXC-ELDR25C |
| L103 | 2040000490 | COIL | EXC-ELDR25C |
| L104 | 2040000490 | COIL | EXC-ELDR25C |
| L105 | 6910003570 | COIL | 2943-666663 |
| L106 | 6910003570 | COIL | 2943-666663 |
| L107 | 6180001710 | COIL | LAL 03NA 561K |
| L108 | 6180001710 | COIL | LAL 03NA 561K |
| L115 | 6200003260 | S.COIL | NL 322522T-101J |
| L116 | 6200003260 | S.COIL | NL 322522T-101J |
| L117 | 6180001710 | COIL | LAL 03NA 561K |
| L118 | 6180001710 | COIL | LAL 03NA 561K |
| L119 | 6180001710 | COIL | LAL 03NA 561K |
| L120 | 6180001710 | COIL | LAL 03NA 561K |
| L121 | 6180001710 | COIL | LAL 03NA 561K |

S.=Surface mount

[GEN]: [GEN-21], [GEN-22], [GEN-23] [EUR]: [EUR-21], [EUR-22]
 [GMDSS]: [GEN-23], [EUR-22] [Others]: [GEN-21], [GEN-22], [EUR-21]

[MAIN UNIT]

| REF NO. | ORDER NO. | DESCRIPTION | |
|---------|------------|-------------|-------------------------|
| L122 | 6180001710 | COIL | LAL 03NA 561K |
| L123 | 6200003020 | S.COIL | NL 322522T-R33J-3 |
| L124 | 6200003000 | S.COIL | NL 322522T-R22J-3 |
| L125 | 6200003260 | S.COIL | NL 322522T-101J |
| L126 | 6180000990 | COIL | LAL 04NA 101K |
| L127 | 6200003260 | S.COIL | NL 322522T-101J |
| L129 | 6180000900 | COIL | LAL 03NA 101K |
| L130 | 6180000900 | COIL | LAL 03NA 101K |
| L131 | 6180000900 | COIL | LAL 03NA 101K |
| L132 | 6200003260 | S.COIL | NL 322522T-101J |
| L133 | 2040000490 | COIL | EXC-ELDR25C |
| L134 | 2040000490 | COIL | EXC-ELDR25C |
| L135 | 2040000490 | COIL | EXC-ELDR25C |
| L136 | 2040000490 | COIL | EXC-ELDR25C |
| L137 | 6200001720 | S.COIL | NL 322522T-1R0J |
| L138 | 2040000490 | COIL | EXC-ELDR25C |
| L139 | 6200001830 | S.COIL | NL 322522T-100J |
| L140 | 6200003260 | S.COIL | NL 322522T-101J |
| L141 | 2040000490 | COIL | EXC-ELDR25C |
| L142 | 6180000900 | COIL | LAL 03NA 101K |
| L143 | 2040000490 | COIL | EXC-ELDR25C |
| L144 | 6200003260 | S.COIL | NL 322522T-101J |
| L145 | 6200003260 | S.COIL | NL 322522T-101J |
| L147 | 6200003260 | S.COIL | NL 322522T-101J |
| L148 | 6200001710 | S.COIL | NL 322522T-220J |
| L149 | 6200003190 | S.COIL | NL 322522T-470J |
| R1 | 7030003380 | S.RESISTOR | ERJ3GEYJ 331 V (330 Ω) |
| R2 | 7010003180 | RESISTOR | ELR20J 15 Ω |
| R3 | 7030003380 | S.RESISTOR | ERJ3GEYJ 331 V (330 Ω) |
| R4 | 7010003200 | RESISTOR | ELR20J 22 Ω |
| R5 | 7030003200 | S.RESISTOR | ERJ3GEYJ 100 V (10 Ω) |
| R6 | 7030003520 | S.RESISTOR | ERJ3GEYJ 472 V (4.7 kΩ) |
| R7 | 7010003390 | RESISTOR | ELR20J 820 Ω |
| R8 | 7030003400 | S.RESISTOR | ERJ3GEYJ 471 V (470 Ω) |
| R9 | 7030003400 | S.RESISTOR | ERJ3GEYJ 471 V (470 Ω) |
| R10 | 7030003400 | S.RESISTOR | ERJ3GEYJ 471 V (470 Ω) |
| R11 | 7030003360 | S.RESISTOR | ERJ3GEYJ 221 V (220 Ω) |
| R12 | 7030003360 | S.RESISTOR | ERJ3GEYJ 221 V (220 Ω) |
| R13 | 7030003360 | S.RESISTOR | ERJ3GEYJ 221 V (220 Ω) |
| R14 | 7030003360 | S.RESISTOR | ERJ3GEYJ 221 V (220 Ω) |
| R15 | 7030003360 | S.RESISTOR | ERJ3GEYJ 221 V (220 Ω) |
| R16 | 7030003360 | S.RESISTOR | ERJ3GEYJ 221 V (220 Ω) |
| R17 | 7030003360 | S.RESISTOR | ERJ3GEYJ 221 V (220 Ω) |
| R18 | 7030003360 | S.RESISTOR | ERJ3GEYJ 221 V (220 Ω) |
| R19 | 7030003360 | S.RESISTOR | ERJ3GEYJ 221 V (220 Ω) |
| R20 | 7030003440 | S.RESISTOR | ERJ3GEYJ 102 V (1 kΩ) |
| R21 | 7030003440 | S.RESISTOR | ERJ3GEYJ 102 V (1 kΩ) |
| R22 | 7030003400 | S.RESISTOR | ERJ3GEYJ 471 V (470 Ω) |
| R23 | 7030003400 | S.RESISTOR | ERJ3GEYJ 471 V (470 Ω) |
| R24 | 7030003400 | S.RESISTOR | ERJ3GEYJ 471 V (470 Ω) |
| R25 | 7030003560 | S.RESISTOR | ERJ3GEYJ 103 V (10 kΩ) |
| R26 | 7310002670 | S.TRIMMER | RV-143 (RH03A3AS2) 471 |
| R27 | 7030003440 | S.RESISTOR | ERJ3GEYJ 102 V (1 kΩ) |
| R28 | 7010003350 | RESISTOR | ELR20J 390 Ω |
| R29 | 7030003480 | S.RESISTOR | ERJ3GEYJ 222 V (2.2 kΩ) |
| R32 | 7030003340 | S.RESISTOR | ERJ3GEYJ 151 V (150 Ω) |
| R33 | 7010003230 | RESISTOR | ELR20J 39 Ω |
| R34 | 7030003340 | S.RESISTOR | ERJ3GEYJ 151 V (150 Ω) |
| R35 | 7030003480 | S.RESISTOR | ERJ3GEYJ 222 V (2.2 kΩ) |
| R36 | 7030003640 | S.RESISTOR | ERJ3GEYJ 473 V (47 kΩ) |
| R37 | 7030003440 | S.RESISTOR | ERJ3GEYJ 102 V (1 kΩ) |
| R38 | 7030003440 | S.RESISTOR | ERJ3GEYJ 102 V (1 kΩ) |
| R39 | 7010003180 | RESISTOR | ELR20J 15 Ω |
| R41 | 7010003240 | RESISTOR | ELR20J 47 Ω |
| R43 | 7030003530 | S.RESISTOR | ERJ3GEYJ 562 V (5.6 kΩ) |
| R44 | 7030003280 | S.RESISTOR | ERJ3GEYJ 470 V (47 Ω) |
| R45 | 7030003460 | S.RESISTOR | ERJ3GEYJ 152 V (1.5 kΩ) |
| R46 | 7030003200 | S.RESISTOR | ERJ3GEYJ 100 V (10 Ω) |
| R47 | 7030003440 | S.RESISTOR | ERJ3GEYJ 102 V (1 kΩ) |
| R48 | 7030003520 | S.RESISTOR | ERJ3GEYJ 472 V (4.7 kΩ) |
| R49 | 7030003440 | S.RESISTOR | ERJ3GEYJ 102 V (1 kΩ) |
| R50 | 7030003520 | S.RESISTOR | ERJ3GEYJ 472 V (4.7 kΩ) |
| R51 | 7030003320 | S.RESISTOR | ERJ3GEYJ 101 V (100 Ω) |
| R52 | 7030003680 | S.RESISTOR | ERJ3GEYJ 104 V (100 kΩ) |
| R53 | 7030003640 | S.RESISTOR | ERJ3GEYJ 473 V (47 kΩ) |
| R54 | 7030003640 | S.RESISTOR | ERJ3GEYJ 473 V (47 kΩ) |
| R55 | 7030003320 | S.RESISTOR | ERJ3GEYJ 101 V (100 Ω) |
| R56 | 7030003440 | S.RESISTOR | ERJ3GEYJ 102 V (1 kΩ) |
| R57 | 7030003520 | S.RESISTOR | ERJ3GEYJ 472 V (4.7 kΩ) |
| R58 | 7030003560 | S.RESISTOR | ERJ3GEYJ 103 V (10 kΩ) |

[MAIN UNIT]

| REF NO. | ORDER NO. | DESCRIPTION | |
|---------|------------|-------------|-------------------------|
| R59 | 7010004450 | RESISTOR | R20J 100 kΩ |
| R60 | 7030003640 | S.RESISTOR | ERJ3GEYJ 473 V (47 kΩ) |
| R61 | 7030003540 | S.RESISTOR | ERJ3GEYJ 682 V (6.8 kΩ) |
| R62 | 7030003380 | S.RESISTOR | ERJ3GEYJ 331 V (330 Ω) |
| R63 | 7030003600 | S.RESISTOR | ERJ3GEYJ 223 V (22 kΩ) |
| R64 | 7030006520 | S.RESISTOR | RR0816P-561-D (560 Ω) |
| R65 | 7030003280 | S.RESISTOR | ERJ3GEYJ 470 V (47 Ω) |
| R66 | 7030003200 | S.RESISTOR | ERJ3GEYJ 100 V (10 Ω) |
| R67 | 7030003480 | S.RESISTOR | ERJ3GEYJ 222 V (2.2 kΩ) |
| R68 | 7030003280 | S.RESISTOR | ERJ3GEYJ 470 V (47 Ω) |
| R69 | 7030003520 | S.RESISTOR | ERJ3GEYJ 472 V (4.7 kΩ) |
| R70 | 7030003400 | S.RESISTOR | ERJ3GEYJ 471 V (470 Ω) |
| R71 | 7030003400 | S.RESISTOR | ERJ3GEYJ 471 V (470 Ω) |
| R72 | 7030003400 | S.RESISTOR | ERJ3GEYJ 471 V (470 Ω) |
| R73 | 7030003600 | S.RESISTOR | ERJ3GEYJ 223 V (22 kΩ) |
| R74 | 7030003280 | S.RESISTOR | ERJ3GEYJ 470 V (47 Ω) |
| R75 | 7010003200 | RESISTOR | ELR20J 22 Ω |
| R76 | 7030003600 | S.RESISTOR | ERJ3GEYJ 223 V (22 kΩ) |
| R77 | 7030003560 | S.RESISTOR | ERJ3GEYJ 103 V (10 kΩ) |
| R79 | 7030003800 | S.RESISTOR | ERJ3GEYJ 105 V (1 MΩ) |
| R80 | 7030003320 | S.RESISTOR | ERJ3GEYJ 101 V (100 Ω) |
| R81 | 7030003320 | S.RESISTOR | ERJ3GEYJ 101 V (100 Ω) |
| R82 | 7030003480 | S.RESISTOR | ERJ3GEYJ 222 V (2.2 kΩ) |
| R83 | 7030003480 | S.RESISTOR | ERJ3GEYJ 222 V (2.2 kΩ) |
| R84 | 7030003480 | S.RESISTOR | ERJ3GEYJ 222 V (2.2 kΩ) |
| R85 | 7030003360 | S.RESISTOR | ERJ3GEYJ 221 V (220 Ω) |
| R86 | 7030003440 | S.RESISTOR | ERJ3GEYJ 102 V (1 kΩ) |
| R87 | 7030003660 | S.RESISTOR | ERJ3GEYJ 683 V (68 kΩ) |
| R88 | 7030003610 | S.RESISTOR | ERJ3GEYJ 273 V (27 kΩ) |
| R89 | 7030003760 | S.RESISTOR | ERJ3GEYJ 474 V (470 kΩ) |
| R90 | 7510000290 | THERMISTOR | ERT-D2ZGL 301S |
| R91 | 7030003320 | S.RESISTOR | ERJ3GEYJ 101 V (100 Ω) |
| R92 | 7030003320 | S.RESISTOR | ERJ3GEYJ 101 V (100 Ω) |
| R94 | 7030003560 | S.RESISTOR | ERJ3GEYJ 103 V (10 kΩ) |
| R95 | 7010003170 | RESISTOR | ELR20J 12 Ω |
| R96 | 7010003170 | RESISTOR | ELR20J 12 Ω |
| R97 | 7030003320 | S.RESISTOR | ERJ3GEYJ 101 V (100 Ω) |
| R98 | 7010003200 | RESISTOR | ELR20J 22 Ω |
| R99 | 7030003520 | S.RESISTOR | ERJ3GEYJ 472 V (4.7 kΩ) |
| R100 | 7030003530 | S.RESISTOR | ERJ3GEYJ 562 V (5.6 kΩ) |
| R101 | 7010003200 | RESISTOR | ELR20J 22 Ω |
| R102 | 7030003440 | S.RESISTOR | ERJ3GEYJ 102 V (1 kΩ) |
| R103 | 7030003640 | S.RESISTOR | ERJ3GEYJ 473 V (47 kΩ) |
| R104 | 7030003320 | S.RESISTOR | ERJ3GEYJ 101 V (100 Ω) |
| R105 | 7030003440 | S.RESISTOR | ERJ3GEYJ 102 V (1 kΩ) |
| R106 | 7030003380 | S.RESISTOR | ERJ3GEYJ 331 V (330 Ω) |
| R107 | 7030003560 | S.RESISTOR | ERJ3GEYJ 103 V (10 kΩ) |
| R108 | 7030003620 | S.RESISTOR | ERJ3GEYJ 333 V (33 kΩ) |
| R109 | 7030003460 | S.RESISTOR | ERJ3GEYJ 152 V (1.5 kΩ) |
| R110 | 7030003320 | S.RESISTOR | ERJ3GEYJ 101 V (100 Ω) |
| R111 | 7030003380 | S.RESISTOR | ERJ3GEYJ 331 V (330 Ω) |
| R112 | 7030003680 | S.RESISTOR | ERJ3GEYJ 104 V (100 kΩ) |
| R113 | 7030003680 | S.RESISTOR | ERJ3GEYJ 104 V (100 kΩ) |
| R114 | 7030003720 | S.RESISTOR | ERJ3GEYJ 224 V (220 kΩ) |
| R116 | 7030003460 | S.RESISTOR | ERJ3GEYJ 152 V (1.5 kΩ) |
| R117 | 7030003560 | S.RESISTOR | ERJ3GEYJ 103 V (10 kΩ) |
| R118 | 7030003560 | S.RESISTOR | ERJ3GEYJ 103 V (10 kΩ) |
| R119 | 7030003320 | S.RESISTOR | ERJ3GEYJ 101 V (100 Ω) |
| R120 | 7030003320 | S.RESISTOR | ERJ3GEYJ 101 V (100 Ω) |
| R121 | 7030003480 | S.RESISTOR | ERJ3GEYJ 222 V (2.2 kΩ) |
| R122 | 7030003480 | S.RESISTOR | ERJ3GEYJ 222 V (2.2 kΩ) |
| R123 | 7030003480 | S.RESISTOR | ERJ3GEYJ 222 V (2.2 kΩ) |
| R124 | 7030003320 | S.RESISTOR | ERJ3GEYJ 101 V (100 Ω) |
| R125 | 7030003320 | S.RESISTOR | ERJ3GEYJ 101 V (100 Ω) |
| R126 | 7030003480 | S.RESISTOR | ERJ3GEYJ 222 V (2.2 kΩ) |
| R127 | 7030003480 | S.RESISTOR | ERJ3GEYJ 222 V (2.2 kΩ) |
| R128 | 7030003480 | S.RESISTOR | ERJ3GEYJ 222 V (2.2 kΩ) |
| R129 | 7030003320 | S.RESISTOR | ERJ3GEYJ 101 V (100 Ω) |
| R130 | 7030003320 | S.RESISTOR | ERJ3GEYJ 101 V (100 Ω) |
| R131 | 7010003380 | RESISTOR | ELR20J 680 Ω |
| R132 | 7030003480 | S.RESISTOR | ERJ3GEYJ 222 V (2.2 kΩ) |
| R133 | 7030003480 | S.RESISTOR | ERJ3GEYJ 222 V (2.2 kΩ) |
| R134 | 7030003480 | S.RESISTOR | ERJ3GEYJ 222 V (2.2 kΩ) |
| R135 | 7030003320 | S.RESISTOR | ERJ3GEYJ 101 V (100 Ω) |
| R136 | 7030003560 | S.RESISTOR | ERJ3GEYJ 103 V (10 kΩ) |
| R138 | 7030003680 | S.RESISTOR | ERJ3GEYJ 104 V (100 kΩ) |
| R139 | 7030003640 | S.RESISTOR | ERJ3GEYJ 473 V (47 kΩ) |
| R140 | 7030003680 | S.RESISTOR | ERJ3GEYJ 104 V (100 kΩ) |
| R143 | 7030003640 | S.RESISTOR | ERJ3GEYJ 473 V (47 kΩ) |
| R149 | 7030003200 | S.RESISTOR | ERJ3GEYJ 100 V (10 Ω) |
| R150 | 7010004270 | RESISTOR | R20J 4.7 kΩ |
| R157 | 7030003620 | S.RESISTOR | ERJ3GEYJ 333 V (33 kΩ) |

[GEN]
[GEN]

[GEN]: [GEN-21], [GEN-22], [GEN-23] [EUR]: [EUR-21], [EUR-22]
[GMDSS]: [GEN-23], [EUR-22] [Others]: [GEN-21], [GEN-22], [EUR-21]

S.=Surface mount

[MAIN UNIT]

| REF NO. | ORDER NO. | DESCRIPTION |
|---------|------------|--------------------------------------|
| R158 | 7030003560 | S.RESISTOR ERJ3GEYJ 103 V (10 kΩ) |
| R159 | 7010004340 | RESISTOR R20J 15 kΩ |
| R161 | 7030003840 | S.RESISTOR ERJ3GEYJ 225 V (2.2 MΩ) |
| R162 | 7030003800 | S.RESISTOR ERJ3GEYJ 105 V (1 MΩ) |
| R163 | 7030003840 | S.RESISTOR ERJ3GEYJ 225 V (2.2 MΩ) |
| R164 | 7030003720 | S.RESISTOR ERJ3GEYJ 224 V (220 kΩ) |
| R165 | 7030003720 | S.RESISTOR ERJ3GEYJ 224 V (220 kΩ) |
| R166 | 7030003680 | S.RESISTOR ERJ3GEYJ 104 V (100 kΩ) |
| R167 | 7030003360 | S.RESISTOR ERJ3GEYJ 221 V (220 Ω) |
| R168 | 7030003760 | S.RESISTOR ERJ3GEYJ 474 V (470 kΩ) |
| R169 | 7030003760 | S.RESISTOR ERJ3GEYJ 474 V (470 kΩ) |
| R170 | 7030003560 | S.RESISTOR ERJ3GEYJ 103 V (10 kΩ) |
| R171 | 7010003550 | RESISTOR ELR20J 15 kΩ |
| R172 | 7030003620 | S.RESISTOR ERJ3GEYJ 333 V (33 kΩ) |
| R173 | 7030003320 | S.RESISTOR ERJ3GEYJ 101 V (100 Ω) |
| R174 | 7030003600 | S.RESISTOR ERJ3GEYJ 223 V (22 kΩ) |
| R175 | 7030003440 | S.RESISTOR ERJ3GEYJ 102 V (1 kΩ) |
| R176 | 7030003640 | S.RESISTOR ERJ3GEYJ 473 V (47 kΩ) |
| R177 | 7030003680 | S.RESISTOR ERJ3GEYJ 104 V (100 kΩ) |
| R183 | 7030003600 | S.RESISTOR ERJ3GEYJ 223 V (22 kΩ) |
| R184 | 7310002740 | S.TRIMMER RV-150 (RH03A3A14X0FC) 103 |
| R185 | 7030003520 | S.RESISTOR ERJ3GEYJ 472 V (4.7 kΩ) |
| R186 | 7030003680 | S.RESISTOR ERJ3GEYJ 104 V (100 kΩ) |
| R187 | 7030003360 | S.RESISTOR ERJ3GEYJ 221 V (220 Ω) |
| R188 | 7030003360 | S.RESISTOR ERJ3GEYJ 221 V (220 Ω) |
| R189 | 7030003720 | S.RESISTOR ERJ3GEYJ 224 V (220 kΩ) |
| R190 | 7030003320 | S.RESISTOR ERJ3GEYJ 101 V (100 Ω) |
| R191 | 7030003480 | S.RESISTOR ERJ3GEYJ 222 V (2.2 kΩ) |
| R192 | 7030003360 | S.RESISTOR ERJ3GEYJ 221 V (220 Ω) |
| R193 | 7030003360 | S.RESISTOR ERJ3GEYJ 221 V (220 Ω) |
| R194 | 7030003680 | S.RESISTOR ERJ3GEYJ 104 V (100 kΩ) |
| R196 | 7030003480 | S.RESISTOR ERJ3GEYJ 222 V (2.2 kΩ) |
| R197 | 7030003560 | S.RESISTOR ERJ3GEYJ 103 V (10 kΩ) |
| R198 | 7030003560 | S.RESISTOR ERJ3GEYJ 103 V (10 kΩ) |
| R199 | 7030003560 | S.RESISTOR ERJ3GEYJ 103 V (10 kΩ) |
| R200 | 7030003560 | S.RESISTOR ERJ3GEYJ 103 V (10 kΩ) |
| R201 | 7030003360 | S.RESISTOR ERJ3GEYJ 221 V (220 Ω) |
| R202 | 7030003590 | S.RESISTOR ERJ3GEYJ 183 V (18 kΩ) |
| R204 | 7030003480 | S.RESISTOR ERJ3GEYJ 222 V (2.2 kΩ) |
| R205 | 7310000660 | TRIMMER RH0621C14J19A (103) |
| R207 | 7030003320 | S.RESISTOR ERJ3GEYJ 101 V (100 Ω) |
| R208 | 7030003480 | S.RESISTOR ERJ3GEYJ 222 V (2.2 kΩ) |
| R209 | 7030003580 | S.RESISTOR ERJ3GEYJ 153 V (15 kΩ) |
| R210 | 7030003340 | S.RESISTOR ERJ3GEYJ 151 V (150 Ω) |
| R211 | 7310002670 | S.TRIMMER RV-143 (RH03A3AS2) 471 |
| R212 | 7310002630 | S.TRIMMER RV-139 (RH03A3A12) 101 |
| R213 | 7510000240 | THERMISTOR ERT-D2ZGL 332S |
| R214 | 7030003560 | S.RESISTOR ERJ3GEYJ 103 V (10 kΩ) |
| R215 | 7030003440 | S.RESISTOR ERJ3GEYJ 102 V (1 kΩ) |
| R216 | 7030003520 | S.RESISTOR ERJ3GEYJ 472 V (4.7 kΩ) |
| R217 | 7030003560 | S.RESISTOR ERJ3GEYJ 103 V (10 kΩ) |
| R218 | 7030003620 | S.RESISTOR ERJ3GEYJ 333 V (33 kΩ) |
| R219 | 7030003520 | S.RESISTOR ERJ3GEYJ 472 V (4.7 kΩ) |
| R220 | 7030003400 | S.RESISTOR ERJ3GEYJ 471 V (470 Ω) |
| R221 | 7030003320 | S.RESISTOR ERJ3GEYJ 101 V (100 Ω) |
| R222 | 7030003320 | S.RESISTOR ERJ3GEYJ 101 V (100 Ω) |
| R223 | 7310002720 | S.TRIMMER RV-148 (RH03A3AS3X0DA) 472 |
| R224 | 7030003620 | S.RESISTOR ERJ3GEYJ 333 V (33 kΩ) |
| R225 | 7030003520 | S.RESISTOR ERJ3GEYJ 472 V (4.7 kΩ) |
| R226 | 7030003400 | S.RESISTOR ERJ3GEYJ 471 V (470 Ω) |
| R227 | 7030003320 | S.RESISTOR ERJ3GEYJ 101 V (100 Ω) |
| R228 | 7030003320 | S.RESISTOR ERJ3GEYJ 101 V (100 Ω) |
| R229 | 7030003360 | S.RESISTOR ERJ3GEYJ 221 V (220 Ω) |
| R230 | 7030003520 | S.RESISTOR ERJ3GEYJ 472 V (4.7 kΩ) |
| R231 | 7030003460 | S.RESISTOR ERJ3GEYJ 152 V (1.5 kΩ) |
| R232 | 7030003500 | S.RESISTOR ERJ3GEYJ 332 V (3.3 kΩ) |
| R233 | 7030003500 | S.RESISTOR ERJ3GEYJ 332 V (3.3 kΩ) |
| R234 | 7030003560 | S.RESISTOR ERJ3GEYJ 103 V (10 kΩ) |
| R235 | 7030004050 | S.RESISTOR ERJ3GEYJ 1R0 V (1 Ω) |
| R236 | 7030003460 | S.RESISTOR ERJ3GEYJ 152 V (1.5 kΩ) |
| R237 | 7030003390 | S.RESISTOR ERJ3GEYJ 391 V (390 Ω) |
| R238 | 7310002710 | S.TRIMMER RV-147 (RH03A3AN3X02A) 332 |
| R239 | 7030003400 | S.RESISTOR ERJ3GEYJ 471 V (470 Ω) |
| R240 | 7030003400 | S.RESISTOR ERJ3GEYJ 471 V (470 Ω) |
| R241 | 7030003620 | S.RESISTOR ERJ3GEYJ 333 V (33 kΩ) |
| R242 | 7030003620 | S.RESISTOR ERJ3GEYJ 333 V (33 kΩ) |
| R243 | 7010006930 | RESISTOR PSD1/4 470 Ω |
| R244 | 7030003520 | S.RESISTOR ERJ3GEYJ 472 V (4.7 kΩ) |
| R245 | 7030003360 | S.RESISTOR ERJ3GEYJ 221 V (220 Ω) |
| R246 | 7030003680 | S.RESISTOR ERJ3GEYJ 104 V (100 kΩ) |
| R247 | 7030003520 | S.RESISTOR ERJ3GEYJ 472 V (4.7 kΩ) |
| R254 | 7030003360 | S.RESISTOR ERJ3GEYJ 221 V (220 Ω) |

[MAIN UNIT]

| REF NO. | ORDER NO. | DESCRIPTION |
|---------|------------|------------------------------------|
| R255 | 7030003520 | S.RESISTOR ERJ3GEYJ 472 V (4.7 kΩ) |
| R256 | 7030003320 | S.RESISTOR ERJ3GEYJ 101 V (100 Ω) |
| R257 | 7310000660 | TRIMMER RH0621C14J19A (103) |
| R258 | 7030003600 | S.RESISTOR ERJ3GEYJ 223 V (22 kΩ) |
| R259 | 7030003840 | S.RESISTOR ERJ3GEYJ 225 V (2.2 MΩ) |
| R261 | 7030003840 | S.RESISTOR ERJ3GEYJ 225 V (2.2 MΩ) |
| R262 | 7030003800 | S.RESISTOR ERJ3GEYJ 105 V (1 MΩ) |
| R263 | 7030003800 | S.RESISTOR ERJ3GEYJ 105 V (1 MΩ) |
| R264 | 7030003360 | S.RESISTOR ERJ3GEYJ 221 V (220 Ω) |
| R265 | 7030003710 | S.RESISTOR ERJ3GEYJ 184 V (180 kΩ) |
| R266 | 7030003600 | S.RESISTOR ERJ3GEYJ 223 V (22 kΩ) |
| R267 | 7030003800 | S.RESISTOR ERJ3GEYJ 105 V (1 MΩ) |
| R268 | 7030003280 | S.RESISTOR ERJ3GEYJ 470 V (47 Ω) |
| R269 | 7030003520 | S.RESISTOR ERJ3GEYJ 472 V (4.7 kΩ) |
| R270 | 7030003680 | S.RESISTOR ERJ3GEYJ 104 V (100 kΩ) |
| R271 | 7030003520 | S.RESISTOR ERJ3GEYJ 472 V (4.7 kΩ) |
| R272 | 7030003520 | S.RESISTOR ERJ3GEYJ 472 V (4.7 kΩ) |
| R273 | 7030003640 | S.RESISTOR ERJ3GEYJ 473 V (47 kΩ) |
| R274 | 7030003680 | S.RESISTOR ERJ3GEYJ 104 V (100 kΩ) |
| R275 | 7030003680 | S.RESISTOR ERJ3GEYJ 104 V (100 kΩ) |
| R276 | 7030003440 | S.RESISTOR ERJ3GEYJ 102 V (1 kΩ) |
| R277 | 7030003360 | S.RESISTOR ERJ3GEYJ 221 V (220 Ω) |
| R278 | 7030003620 | S.RESISTOR ERJ3GEYJ 333 V (33 kΩ) |
| R279 | 7030003320 | S.RESISTOR ERJ3GEYJ 101 V (100 Ω) |
| R280 | 7030003380 | S.RESISTOR ERJ3GEYJ 331 V (330 Ω) |
| R281 | 7030003500 | S.RESISTOR ERJ3GEYJ 332 V (3.3 kΩ) |
| R282 | 7030003580 | S.RESISTOR ERJ3GEYJ 153 V (15 kΩ) |
| R283 | 7030003460 | S.RESISTOR ERJ3GEYJ 152 V (1.5 kΩ) |
| R284 | 7030003560 | S.RESISTOR ERJ3GEYJ 103 V (10 kΩ) |
| R285 | 7030003520 | S.RESISTOR ERJ3GEYJ 472 V (4.7 kΩ) |
| R286 | 7030003720 | S.RESISTOR ERJ3GEYJ 224 V (220 kΩ) |
| R287 | 7030003650 | S.RESISTOR ERJ3GEYJ 563 V (56 kΩ) |
| R288 | 7010003300 | RESISTOR ELR20J 150 Ω |
| R290 | 7030003400 | S.RESISTOR ERJ3GEYJ 471 V (470 Ω) |
| R291 | 7030006520 | S.RESISTOR RR0816P-561-D (560 Ω) |
| R292 | 7030003580 | S.RESISTOR ERJ3GEYJ 153 V (15 kΩ) |
| R293 | 7030003560 | S.RESISTOR ERJ3GEYJ 103 V (10 kΩ) |
| R294 | 7030003580 | S.RESISTOR ERJ3GEYJ 153 V (15 kΩ) |
| R295 | 7030003560 | S.RESISTOR ERJ3GEYJ 103 V (10 kΩ) |
| R296 | 7030003680 | S.RESISTOR ERJ3GEYJ 104 V (100 kΩ) |
| R297 | 7030003680 | S.RESISTOR ERJ3GEYJ 104 V (100 kΩ) |
| R298 | 7030003320 | S.RESISTOR ERJ3GEYJ 101 V (100 Ω) |
| R299 | 7030003480 | S.RESISTOR ERJ3GEYJ 222 V (2.2 kΩ) |
| R300 | 7310000660 | TRIMMER RH0621C14J19A (103) |
| R301 | 7030003580 | S.RESISTOR ERJ3GEYJ 153 V (15 kΩ) |
| R302 | 7030003600 | S.RESISTOR ERJ3GEYJ 223 V (22 kΩ) |
| R303 | 7030003520 | S.RESISTOR ERJ3GEYJ 472 V (4.7 kΩ) |
| R304 | 7030003640 | S.RESISTOR ERJ3GEYJ 473 V (47 kΩ) |
| R305 | 7030003840 | S.RESISTOR ERJ3GEYJ 225 V (2.2 MΩ) |
| R306 | 7030003620 | S.RESISTOR ERJ3GEYJ 333 V (33 kΩ) |
| R307 | 7030003440 | S.RESISTOR ERJ3GEYJ 102 V (1 kΩ) |
| R308 | 7030003440 | S.RESISTOR ERJ3GEYJ 102 V (1 kΩ) |
| R310 | 7030003770 | S.RESISTOR ERJ3GEYJ 564 V (560 kΩ) |
| R324 | 7030003480 | S.RESISTOR ERJ3GEYJ 222 V (2.2 kΩ) |
| R325 | 7030003320 | S.RESISTOR ERJ3GEYJ 101 V (100 Ω) |
| R328 | 7030003520 | S.RESISTOR ERJ3GEYJ 472 V (4.7 kΩ) |
| R329 | 7030003440 | S.RESISTOR ERJ3GEYJ 102 V (1 kΩ) |
| R333 | 7030003480 | S.RESISTOR ERJ3GEYJ 222 V (2.2 kΩ) |
| R334 | 7030003440 | S.RESISTOR ERJ3GEYJ 102 V (1 kΩ) |
| R335 | 7030003440 | S.RESISTOR ERJ3GEYJ 102 V (1 kΩ) |
| R336 | 7030003680 | S.RESISTOR ERJ3GEYJ 104 V (100 kΩ) |
| R337 | 7030003480 | S.RESISTOR ERJ3GEYJ 222 V (2.2 kΩ) |
| R338 | 7030003480 | S.RESISTOR ERJ3GEYJ 222 V (2.2 kΩ) |
| R339 | 7030003680 | S.RESISTOR ERJ3GEYJ 104 V (100 kΩ) |
| R340 | 7030003520 | S.RESISTOR ERJ3GEYJ 472 V (4.7 kΩ) |
| R342 | 7030003680 | S.RESISTOR ERJ3GEYJ 104 V (100 kΩ) |
| R344 | 7030003680 | S.RESISTOR ERJ3GEYJ 104 V (100 kΩ) |
| R345 | 7030003560 | S.RESISTOR ERJ3GEYJ 103 V (10 kΩ) |
| R346 | 7030003400 | S.RESISTOR ERJ3GEYJ 471 V (470 Ω) |
| R348 | 7030003680 | S.RESISTOR ERJ3GEYJ 104 V (100 kΩ) |
| R349 | 7030003560 | S.RESISTOR ERJ3GEYJ 103 V (10 kΩ) |
| R350 | 7030003400 | S.RESISTOR ERJ3GEYJ 471 V (470 Ω) |
| R352 | 7030003680 | S.RESISTOR ERJ3GEYJ 104 V (100 kΩ) |
| R353 | 7030003400 | S.RESISTOR ERJ3GEYJ 471 V (470 Ω) |
| R354 | 7030003560 | S.RESISTOR ERJ3GEYJ 103 V (10 kΩ) |
| R362 | 7030003480 | S.RESISTOR ERJ3GEYJ 222 V (2.2 kΩ) |
| R363 | 7030003500 | S.RESISTOR ERJ3GEYJ 332 V (3.3 kΩ) |
| R364 | 7030003480 | S.RESISTOR ERJ3GEYJ 222 V (2.2 kΩ) |
| R365 | 7030003440 | S.RESISTOR ERJ3GEYJ 102 V (1 kΩ) |
| R369 | 7030003500 | S.RESISTOR ERJ3GEYJ 332 V (3.3 kΩ) |
| R370 | 7030003550 | S.RESISTOR ERJ3GEYJ 822 V (8.2 kΩ) |
| R371 | 7030003560 | S.RESISTOR ERJ3GEYJ 103 V (10 kΩ) |

[GEN]: [GEN-21], [GEN-22], [GEN-23] [EUR]: [EUR-21], [EUR-22]
 [GMDSS]: [GEN-23], [EUR-22] [Others]: [GEN-21], [GEN-22], [EUR-21]

S.=Surface mount

[MAIN UNIT]

| REF NO. | ORDER NO. | DESCRIPTION |
|---------|------------|------------------------------------|
| R372 | 7030003440 | S.RESISTOR ERJ3GEYJ 102 V (1 kΩ) |
| R373 | 7030003760 | S.RESISTOR ERJ3GEYJ 474 V (470 kΩ) |
| R374 | 7030003760 | S.RESISTOR ERJ3GEYJ 474 V (470 kΩ) |
| R375 | 7030003560 | S.RESISTOR ERJ3GEYJ 103 V (10 kΩ) |
| R376 | 7030003560 | S.RESISTOR ERJ3GEYJ 103 V (10 kΩ) |
| R377 | 7010000090 | RESISTOR ELR25J 4.7 Ω |
| R378 | 7010004190 | RESISTOR R20J 1 kΩ |
| R379 | 7010000090 | RESISTOR ELR25J 4.7 Ω |
| R380 | 7010004190 | RESISTOR R20J 1 kΩ |
| R381 | 7030003480 | S.RESISTOR ERJ3GEYJ 222 V (2.2 kΩ) |
| R382 | 7030003720 | S.RESISTOR ERJ3GEYJ 224 V (220 kΩ) |
| R383 | 7030003440 | S.RESISTOR ERJ3GEYJ 102 V (1 kΩ) |
| R385 | 7030003360 | S.RESISTOR ERJ3GEYJ 221 V (220 Ω) |
| R386 | 7030003530 | S.RESISTOR ERJ3GEYJ 562 V (5.6 kΩ) |
| R387 | 7030003530 | S.RESISTOR ERJ3GEYJ 562 V (5.6 kΩ) |
| R388 | 7030003530 | S.RESISTOR ERJ3GEYJ 562 V (5.6 kΩ) |
| R389 | 7030003590 | S.RESISTOR ERJ3GEYJ 183 V (18 kΩ) |
| R390 | 7030003440 | S.RESISTOR ERJ3GEYJ 102 V (1 kΩ) |
| R391 | 7030003500 | S.RESISTOR ERJ3GEYJ 332 V (3.3 kΩ) |
| R392 | 7030003380 | S.RESISTOR ERJ3GEYJ 331 V (330 Ω) |
| R393 | 7010004690 | RESISTOR R50XJ 47 Ω |
| R394 | 7030003280 | S.RESISTOR ERJ3GEYJ 470 V (47 Ω) |
| R395 | 7030003560 | S.RESISTOR ERJ3GEYJ 103 V (10 kΩ) |
| R396 | 7030003680 | S.RESISTOR ERJ3GEYJ 104 V (100 kΩ) |
| R403 | 7030003640 | S.RESISTOR ERJ3GEYJ 473 V (47 kΩ) |
| R404 | 7030003440 | S.RESISTOR ERJ3GEYJ 102 V (1 kΩ) |
| R411 | 7030003560 | S.RESISTOR ERJ3GEYJ 103 V (10 kΩ) |
| R412 | 7030003560 | S.RESISTOR ERJ3GEYJ 103 V (10 kΩ) |
| R413 | 7010003280 | RESISTOR ELR20J 100 Ω |
| R414 | 7030003560 | S.RESISTOR ERJ3GEYJ 103 V (10 kΩ) |
| R415 | 7030003620 | S.RESISTOR ERJ3GEYJ 333 V (33 kΩ) |
| R416 | 7030003600 | S.RESISTOR ERJ3GEYJ 223 V (22 kΩ) |
| R448 | 7030003380 | S.RESISTOR ERJ3GEYJ 331 V (330 Ω) |
| R449 | 7010003180 | RESISTOR ELR20J 15 Ω |
| R450 | 7030003380 | S.RESISTOR ERJ3GEYJ 331 V (330 Ω) |
| R465 | 7010003200 | RESISTOR ELR20J 22 Ω |
| R466 | 7010003200 | RESISTOR ELR20J 22 Ω |
| R467 | 7010003200 | RESISTOR ELR20J 22 Ω |
| R468 | 7010003200 | RESISTOR ELR20J 22 Ω |
| R469 | 7010003200 | RESISTOR ELR20J 22 Ω |
| R470 | 7010003200 | RESISTOR ELR20J 22 Ω |
| R471 | 7010003200 | RESISTOR ELR20J 22 Ω |
| R472 | 7010003200 | RESISTOR ELR20J 22 Ω |
| R481 | 7030003640 | S.RESISTOR ERJ3GEYJ 473 V (47 kΩ) |
| R493 | 7030003640 | S.RESISTOR ERJ3GEYJ 473 V (47 kΩ) |
| R494 | 7030003640 | S.RESISTOR ERJ3GEYJ 473 V (47 kΩ) |
| R501 | 7030003560 | S.RESISTOR ERJ3GEYJ 103 V (10 kΩ) |
| R502 | 7030003560 | S.RESISTOR ERJ3GEYJ 103 V (10 kΩ) |
| R503 | 7030003560 | S.RESISTOR ERJ3GEYJ 103 V (10 kΩ) |
| R504 | 7030003640 | S.RESISTOR ERJ3GEYJ 473 V (47 kΩ) |
| R505 | 7030003440 | S.RESISTOR ERJ3GEYJ 102 V (1 kΩ) |
| R506 | 7030003680 | S.RESISTOR ERJ3GEYJ 104 V (100 kΩ) |
| R510 | 7030003540 | S.RESISTOR ERJ3GEYJ 682 V (6.8 kΩ) |
| R514 | 7010000290 | RESISTOR ELR25J 220 Ω |
| R515 | 7030003520 | S.RESISTOR ERJ3GEYJ 472 V (4.7 kΩ) |
| R517 | 7030003480 | S.RESISTOR ERJ3GEYJ 222 V (2.2 kΩ) |
| R518 | 7030003400 | S.RESISTOR ERJ3GEYJ 471 V (470 Ω) |
| R519 | 7030003640 | S.RESISTOR ERJ3GEYJ 473 V (47 kΩ) |
| R520 | 7030003380 | S.RESISTOR ERJ3GEYJ 331 V (330 Ω) |
| R521 | 7010003180 | RESISTOR ELR20J 15 Ω |
| R522 | 7030003380 | S.RESISTOR ERJ3GEYJ 331 V (330 Ω) |
| R523 | 7010004690 | RESISTOR R50XJ 47 Ω |
| R525 | 7030003600 | S.RESISTOR ERJ3GEYJ 223 V (22 kΩ) |
| R526 | 7030003520 | S.RESISTOR ERJ3GEYJ 472 V (4.7 kΩ) |
| R527 | 7030003640 | S.RESISTOR ERJ3GEYJ 473 V (47 kΩ) |
| R528 | 7030003580 | S.RESISTOR ERJ3GEYJ 153 V (15 kΩ) |
| R529 | 7070000281 | RESISTOR ERX1SJ 2R2 (2.2 Ω) |
| R533 | 7030003560 | S.RESISTOR ERJ3GEYJ 103 V (10 kΩ) |
| R534 | 7030003440 | S.RESISTOR ERJ3GEYJ 102 V (1 kΩ) |
| R535 | 7030003440 | S.RESISTOR ERJ3GEYJ 102 V (1 kΩ) |
| R536 | 7030003560 | S.RESISTOR ERJ3GEYJ 103 V (10 kΩ) |
| R537 | 7030003440 | S.RESISTOR ERJ3GEYJ 102 V (1 kΩ) |
| R538 | 7030003440 | S.RESISTOR ERJ3GEYJ 102 V (1 kΩ) |
| R539 | 7030003440 | S.RESISTOR ERJ3GEYJ 102 V (1 kΩ) |
| R540 | 7030003440 | S.RESISTOR ERJ3GEYJ 102 V (1 kΩ) |
| R541 | 7030003440 | S.RESISTOR ERJ3GEYJ 102 V (1 kΩ) |
| R542 | 7030003440 | S.RESISTOR ERJ3GEYJ 102 V (1 kΩ) |
| R543 | 7030003440 | S.RESISTOR ERJ3GEYJ 102 V (1 kΩ) |
| R544 | 7030003440 | S.RESISTOR ERJ3GEYJ 102 V (1 kΩ) |
| R545 | 7010004450 | RESISTOR R20J 100 kΩ |
| R601 | 7030003400 | S.RESISTOR ERJ3GEYJ 471 V (470 Ω) |
| R602 | 7030003480 | S.RESISTOR ERJ3GEYJ 222 V (2.2 kΩ) |

[MAIN UNIT]

| REF NO. | ORDER NO. | DESCRIPTION |
|---------|------------|------------------------------------|
| R603 | 7030003440 | S.RESISTOR ERJ3GEYJ 102 V (1 kΩ) |
| R604 | 7030003760 | S.RESISTOR ERJ3GEYJ 474 V (470 kΩ) |
| R605 | 7030003720 | S.RESISTOR ERJ3GEYJ 224 V (220 kΩ) |
| R606 | 7030003720 | S.RESISTOR ERJ3GEYJ 224 V (220 kΩ) |
| R607 | 7030003680 | S.RESISTOR ERJ3GEYJ 104 V (100 kΩ) |
| R608 | 7030003600 | S.RESISTOR ERJ3GEYJ 223 V (22 kΩ) |
| R609 | 7030003600 | S.RESISTOR ERJ3GEYJ 223 V (22 kΩ) |
| R610 | 7030003600 | S.RESISTOR ERJ3GEYJ 223 V (22 kΩ) |
| R611 | 7030003600 | S.RESISTOR ERJ3GEYJ 223 V (22 kΩ) |
| R612 | 7030003640 | S.RESISTOR ERJ3GEYJ 473 V (47 kΩ) |
| R633 | 7030003640 | S.RESISTOR ERJ3GEYJ 473 V (47 kΩ) |
| R634 | 7030003440 | S.RESISTOR ERJ3GEYJ 102 V (1 kΩ) |
| R635 | 7030003440 | S.RESISTOR ERJ3GEYJ 102 V (1 kΩ) |
| R636 | 7030003440 | S.RESISTOR ERJ3GEYJ 102 V (1 kΩ) |
| R637 | 7030003440 | S.RESISTOR ERJ3GEYJ 102 V (1 kΩ) |
| R638 | 7030003440 | S.RESISTOR ERJ3GEYJ 102 V (1 kΩ) |
| R639 | 7030003440 | S.RESISTOR ERJ3GEYJ 102 V (1 kΩ) |
| R640 | 7030003440 | S.RESISTOR ERJ3GEYJ 102 V (1 kΩ) |
| R641 | 7030003500 | S.RESISTOR ERJ3GEYJ 332 V (3.3 kΩ) |
| R642 | 7030003640 | S.RESISTOR ERJ3GEYJ 473 V (47 kΩ) |
| R646 | 7030003440 | S.RESISTOR ERJ3GEYJ 102 V (1 kΩ) |
| R647 | 7030003560 | S.RESISTOR ERJ3GEYJ 103 V (10 kΩ) |
| R648 | 7030003560 | S.RESISTOR ERJ3GEYJ 103 V (10 kΩ) |
| R650 | 7030003600 | S.RESISTOR ERJ3GEYJ 223 V (22 kΩ) |
| R651 | 7030003440 | S.RESISTOR ERJ3GEYJ 102 V (1 kΩ) |
| R652 | 7030003440 | S.RESISTOR ERJ3GEYJ 102 V (1 kΩ) |
| R653 | 7030003640 | S.RESISTOR ERJ3GEYJ 473 V (47 kΩ) |
| R654 | 7030003440 | S.RESISTOR ERJ3GEYJ 102 V (1 kΩ) |
| R655 | 7030003440 | S.RESISTOR ERJ3GEYJ 102 V (1 kΩ) |
| R657 | 7030003440 | S.RESISTOR ERJ3GEYJ 102 V (1 kΩ) |
| R658 | 7030003440 | S.RESISTOR ERJ3GEYJ 102 V (1 kΩ) |
| R659 | 7030003440 | S.RESISTOR ERJ3GEYJ 102 V (1 kΩ) |
| R663 | 7030003640 | S.RESISTOR ERJ3GEYJ 473 V (47 kΩ) |
| R664 | 7030003640 | S.RESISTOR ERJ3GEYJ 473 V (47 kΩ) |
| R670 | 7030003620 | S.RESISTOR ERJ3GEYJ 333 V (33 kΩ) |
| R671 | 7030003540 | S.RESISTOR ERJ3GEYJ 682 V (6.8 kΩ) |
| R672 | 7030003640 | S.RESISTOR ERJ3GEYJ 473 V (47 kΩ) |
| R673 | 7030003590 | S.RESISTOR ERJ3GEYJ 183 V (18 kΩ) |
| R674 | 7030003440 | S.RESISTOR ERJ3GEYJ 102 V (1 kΩ) |
| R675 | 7030003440 | S.RESISTOR ERJ3GEYJ 102 V (1 kΩ) |
| R676 | 7030003640 | S.RESISTOR ERJ3GEYJ 473 V (47 kΩ) |
| R677 | 7030003640 | S.RESISTOR ERJ3GEYJ 473 V (47 kΩ) |
| R678 | 7030003640 | S.RESISTOR ERJ3GEYJ 473 V (47 kΩ) |
| R679 | 7030003640 | S.RESISTOR ERJ3GEYJ 473 V (47 kΩ) |
| R680 | 7030003360 | S.RESISTOR ERJ3GEYJ 221 V (220 Ω) |
| R681 | 7030003440 | S.RESISTOR ERJ3GEYJ 102 V (1 kΩ) |
| R682 | 7030003440 | S.RESISTOR ERJ3GEYJ 102 V (1 kΩ) |
| R683 | 7030003440 | S.RESISTOR ERJ3GEYJ 102 V (1 kΩ) |
| R684 | 7030003440 | S.RESISTOR ERJ3GEYJ 102 V (1 kΩ) |
| R690 | 7030003200 | S.RESISTOR ERJ3GEYJ 100 V (10 Ω) |
| R691 | 7030003200 | S.RESISTOR ERJ3GEYJ 100 V (10 Ω) |
| R692 | 7030003200 | S.RESISTOR ERJ3GEYJ 100 V (10 Ω) |
| R693 | 7030003200 | S.RESISTOR ERJ3GEYJ 100 V (10 Ω) |
| R694 | 7030003200 | S.RESISTOR ERJ3GEYJ 100 V (10 Ω) |
| R695 | 7030003200 | S.RESISTOR ERJ3GEYJ 100 V (10 Ω) |
| R696 | 7030003200 | S.RESISTOR ERJ3GEYJ 100 V (10 Ω) |
| R697 | 7030003200 | S.RESISTOR ERJ3GEYJ 100 V (10 Ω) |
| R698 | 7010003380 | RESISTOR ELR20J 680 Ω |
| R699 | 7030003320 | S.RESISTOR ERJ3GEYJ 101 V (100 Ω) |
| R700 | 7030003320 | S.RESISTOR ERJ3GEYJ 101 V (100 Ω) |
| R701 | 7010007560 | RESISTOR ERDS2TJ 1R0 (1 Ω) |
| R702 | 7030003400 | S.RESISTOR ERJ3GEYJ 471 V (470 Ω) |
| R703 | 7030003580 | S.RESISTOR ERJ3GEYJ 153 V (15 kΩ) |
| R704 | 7030003500 | S.RESISTOR ERJ3GEYJ 332 V (3.3 kΩ) |
| R705 | 7030003640 | S.RESISTOR ERJ3GEYJ 473 V (47 kΩ) |
| R706 | 7030003600 | S.RESISTOR ERJ3GEYJ 223 V (22 kΩ) |
| R707 | 7030003360 | S.RESISTOR ERJ3GEYJ 221 V (220 Ω) |
| R708 | 7030003440 | S.RESISTOR ERJ3GEYJ 102 V (1 kΩ) |
| R709 | 7030003620 | S.RESISTOR ERJ3GEYJ 333 V (33 kΩ) |
| R714 | 7030003640 | S.RESISTOR ERJ3GEYJ 473 V (47 kΩ) |
| R719 | 7030003640 | S.RESISTOR ERJ3GEYJ 473 V (47 kΩ) |
| R720 | 7030003620 | S.RESISTOR ERJ3GEYJ 333 V (33 kΩ) |
| R721 | 7030003520 | S.RESISTOR ERJ3GEYJ 472 V (4.7 kΩ) |
| R722 | 7030003640 | S.RESISTOR ERJ3GEYJ 473 V (47 kΩ) |
| R723 | 7030003580 | S.RESISTOR ERJ3GEYJ 153 V (15 kΩ) |
| R724 | 7030003440 | S.RESISTOR ERJ3GEYJ 102 V (1 kΩ) |
| R725 | 7030003440 | S.RESISTOR ERJ3GEYJ 102 V (1 kΩ) |
| R726 | 7030003440 | S.RESISTOR ERJ3GEYJ 102 V (1 kΩ) |
| R729 | 7030003680 | S.RESISTOR ERJ3GEYJ 104 V (100 kΩ) |
| R730 | 7010003170 | RESISTOR ELR20J 12 Ω |
| R731 | 7030003520 | S.RESISTOR ERJ3GEYJ 472 V (4.7 kΩ) |
| R732 | 7030003640 | S.RESISTOR ERJ3GEYJ 473 V (47 kΩ) |

[GEN]: [GEN-21], [GEN-22], [GEN-23] [EUR]: [EUR-21], [EUR-22]
 [GMDSS]: [GEN-23], [EUR-22] [Others]: [GEN-21], [GEN-22], [EUR-21]

S.=Surface mount

[MAIN UNIT]

| REF NO. | ORDER NO. | DESCRIPTION |
|---------|------------|---|
| R733 | 7030003680 | S.RESISTOR ERJ3GEYJ 104 V (100 kΩ) |
| R734 | 7030003680 | S.RESISTOR ERJ3GEYJ 104 V (100 kΩ) |
| R735 | 7030003680 | S.RESISTOR ERJ3GEYJ 104 V (100 kΩ) |
| R736 | 7030003680 | S.RESISTOR ERJ3GEYJ 104 V (100 kΩ) |
| R738 | 7030003640 | S.RESISTOR ERJ3GEYJ 473 V (47 kΩ) |
| R739 | 7030003640 | S.RESISTOR ERJ3GEYJ 473 V (47 kΩ) |
| R740 | 7030003320 | S.RESISTOR ERJ3GEYJ 101 V (100 Ω) |
| R741 | 7030003620 | S.RESISTOR ERJ3GEYJ 333 V (33 kΩ) |
| R742 | 7030003640 | S.RESISTOR ERJ3GEYJ 473 V (47 kΩ) |
| R743 | 7030003480 | S.RESISTOR ERJ3GEYJ 222 V (2.2 kΩ) |
| R744 | 7030006521 | S.RESISTOR ERA3YED 561V [GMDSS] |
| R745 | 7030006521 | S.RESISTOR ERA3YED 561V [GMDSS] |
| R746 | 7030003320 | S.RESISTOR ERJ3GEYJ 101 V (100 Ω) [GMDSS] |
| R747 | 7030003400 | S.RESISTOR ERJ3GEYJ 471 V (470 Ω) [GMDSS] |
| R748 | 7030003600 | S.RESISTOR ERJ3GEYJ 223 V (22 kΩ) [GMDSS] |
| R749 | 7030003640 | S.RESISTOR ERJ3GEYJ 473 V (47 kΩ) [GMDSS] |
| R750 | 7030003440 | S.RESISTOR ERJ3GEYJ 102 V (1 kΩ) [GMDSS] |
| R751 | 7030006521 | S.RESISTOR ERA3YED 561V [GMDSS] |
| R752 | 7030003320 | S.RESISTOR ERJ3GEYJ 101 V (100 Ω) |
| R753 | 7030003400 | S.RESISTOR ERJ3GEYJ 471 V (470 Ω) |
| R754 | 7030003600 | S.RESISTOR ERJ3GEYJ 223 V (22 kΩ) |
| R755 | 7030003640 | S.RESISTOR ERJ3GEYJ 473 V (47 kΩ) |
| R756 | 7030003440 | S.RESISTOR ERJ3GEYJ 102 V (1 kΩ) |
| R757 | 7030006520 | S.RESISTOR RR0816P-561-D (560 Ω) |
| R764 | 7030003620 | S.RESISTOR ERJ3GEYJ 333 V (33 kΩ) |
| R765 | 7030003380 | S.RESISTOR ERJ3GEYJ 331 V (330 Ω) |
| R766 | 7030003200 | S.RESISTOR ERJ3GEYJ 100 V (10 Ω) |
| R771 | 7030003480 | S.RESISTOR ERJ3GEYJ 222 V (2.2 kΩ) |
| R772 | 7030003530 | S.RESISTOR ERJ3GEYJ 562 V (5.6 kΩ) |
| R773 | 7030003530 | S.RESISTOR ERJ3GEYJ 562 V (5.6 kΩ) |
| R774 | 7030003600 | S.RESISTOR ERJ3GEYJ 223 V (22 kΩ) |
| R777 | 7030003760 | S.RESISTOR ERJ3GEYJ 474 V (470 kΩ) |
| R778 | 7030003440 | S.RESISTOR ERJ3GEYJ 102 V (1 kΩ) |
| R779 | 7030003720 | S.RESISTOR ERJ3GEYJ 224 V (220 kΩ) |
| R781 | 7030003520 | S.RESISTOR ERJ3GEYJ 472 V (4.7 kΩ) |
| R782 | 7030003520 | S.RESISTOR ERJ3GEYJ 472 V (4.7 kΩ) |
| R783 | 7030003440 | S.RESISTOR ERJ3GEYJ 102 V (1 kΩ) |
| R784 | 7030003440 | S.RESISTOR ERJ3GEYJ 102 V (1 kΩ) |
| R785 | 7030003440 | S.RESISTOR ERJ3GEYJ 102 V (1 kΩ) |
| R786 | 7030003440 | S.RESISTOR ERJ3GEYJ 102 V (1 kΩ) |
| R787 | 7030003440 | S.RESISTOR ERJ3GEYJ 102 V (1 kΩ) |
| R788 | 7030003560 | S.RESISTOR ERJ3GEYJ 103 V (10 kΩ) |
| R789 | 7030003340 | S.RESISTOR ERJ3GEYJ 151 V (150 Ω) |
| R790 | 7030003380 | S.RESISTOR ERJ3GEYJ 331 V (330 Ω) |
| R791 | 7030003320 | S.RESISTOR ERJ3GEYJ 101 V (100 Ω) |
| R792 | 7030003680 | S.RESISTOR ERJ3GEYJ 104 V (100 kΩ) |
| R793 | 7030003560 | S.RESISTOR ERJ3GEYJ 103 V (10 kΩ) |
| R794 | 7030003360 | S.RESISTOR ERJ3GEYJ 221 V (220 Ω) |
| R796 | 7030003320 | S.RESISTOR ERJ3GEYJ 101 V (100 Ω) |
| R797 | 7030003520 | S.RESISTOR ERJ3GEYJ 472 V (4.7 kΩ) |
| R798 | 7030003440 | S.RESISTOR ERJ3GEYJ 102 V (1 kΩ) |
| R799 | 7030003560 | S.RESISTOR ERJ3GEYJ 103 V (10 kΩ) |
| R800 | 7030003600 | S.RESISTOR ERJ3GEYJ 223 V (22 kΩ) |
| R801 | 7030003680 | S.RESISTOR ERJ3GEYJ 104 V (100 kΩ) |
| R802 | 7030003560 | S.RESISTOR ERJ3GEYJ 103 V (10 kΩ) |
| R803 | 7510000540 | THERMISTOR ERT-D2ZGL 171S |
| R804 | 7030003520 | S.RESISTOR ERJ3GEYJ 472 V (4.7 kΩ) |
| R805 | 7030003670 | S.RESISTOR ERJ3GEYJ 823 V (82 kΩ) |
| R806 | 7030003720 | S.RESISTOR ERJ3GEYJ 224 V (220 kΩ) |
| R807 | 7510000300 | THERMISTOR ERT-D2ZGL 601S |
| R808 | 7030003440 | S.RESISTOR ERJ3GEYJ 102 V (1 kΩ) |
| R809 | 7030003600 | S.RESISTOR ERJ3GEYJ 223 V (22 kΩ) |
| R810 | 7030003680 | S.RESISTOR ERJ3GEYJ 104 V (100 kΩ) |
| R811 | 7030003560 | S.RESISTOR ERJ3GEYJ 103 V (10 kΩ) |
| R812 | 7030003680 | S.RESISTOR ERJ3GEYJ 104 V (100 kΩ) |
| R813 | 7030003440 | S.RESISTOR ERJ3GEYJ 102 V (1 kΩ) |
| R820 | 7030003560 | S.RESISTOR ERJ3GEYJ 103 V (10 kΩ) |
| R821 | 7030003600 | S.RESISTOR ERJ3GEYJ 223 V (22 kΩ) |
| R822 | 7030003680 | S.RESISTOR ERJ3GEYJ 104 V (100 kΩ) |
| R823 | 7030003560 | S.RESISTOR ERJ3GEYJ 103 V (10 kΩ) |
| R824 | 7030009220 | S.RESISTOR ERJ12YJ561U |
| R825 | 7030003460 | S.RESISTOR ERJ3GEYJ 152 V (1.5 kΩ) |
| R826 | 7030003520 | S.RESISTOR ERJ3GEYJ 472 V (4.7 kΩ) |
| R827 | 7030003500 | S.RESISTOR ERJ3GEYJ 332 V (3.3 kΩ) |
| R828 | 7030003560 | S.RESISTOR ERJ3GEYJ 103 V (10 kΩ) |
| R829 | 7030003560 | S.RESISTOR ERJ3GEYJ 103 V (10 kΩ) |
| R830 | 7030003560 | S.RESISTOR ERJ3GEYJ 103 V (10 kΩ) |

[MAIN UNIT]

| REF NO. | ORDER NO. | DESCRIPTION |
|---------|------------|--------------------------------------|
| R831 | 7030003560 | S.RESISTOR ERJ3GEYJ 103 V (10 kΩ) |
| R832 | 7030003560 | S.RESISTOR ERJ3GEYJ 103 V (10 kΩ) |
| R833 | 7030003560 | S.RESISTOR ERJ3GEYJ 103 V (10 kΩ) |
| R834 | 7030003560 | S.RESISTOR ERJ3GEYJ 103 V (10 kΩ) |
| R835 | 7030003560 | S.RESISTOR ERJ3GEYJ 103 V (10 kΩ) |
| R836 | 7030007360 | S.RESISTOR ERJ1WYJ470U (47 Ω) |
| R837 | 7030003440 | S.RESISTOR ERJ3GEYJ 102 V (1 kΩ) |
| R839 | 7030003500 | S.RESISTOR ERJ3GEYJ 332 V (3.3 kΩ) |
| R840 | 7030003500 | S.RESISTOR ERJ3GEYJ 332 V (3.3 kΩ) |
| R841 | 7030003440 | S.RESISTOR ERJ3GEYJ 102 V (1 kΩ) |
| R842 | 7030003440 | S.RESISTOR ERJ3GEYJ 102 V (1 kΩ) |
| R843 | 7030003420 | S.RESISTOR ERJ3GEYJ 681 V (680 Ω) |
| R844 | 7310002740 | S.TRIMMER RV-150 (RH03A3A14X0FC) 103 |
| R845 | 7030003440 | S.RESISTOR ERJ3GEYJ 102 V (1 kΩ) |
| R858 | 7030003460 | S.RESISTOR ERJ3GEYJ 152 V (1.5 kΩ) |
| R876 | 7030003440 | S.RESISTOR ERJ3GEYJ 102 V (1 kΩ) |
| R885 | 7030003510 | S.RESISTOR ERJ3GEYJ 392 V (3.9 kΩ) |
| R886 | 7030003510 | S.RESISTOR ERJ3GEYJ 392 V (3.9 kΩ) |
| R887 | 7030003320 | S.RESISTOR ERJ3GEYJ 101 V (100 Ω) |
| R888 | 7030003460 | S.RESISTOR ERJ3GEYJ 152 V (1.5 kΩ) |
| R900 | 7030003440 | S.RESISTOR ERJ3GEYJ 102 V (1 kΩ) |
| R901 | 7030003560 | S.RESISTOR ERJ3GEYJ 103 V (10 kΩ) |
| R902 | 7510001350 | THERMISTOR ERT-D2ZHL 103S |
| R903 | 7510000230 | THERMISTOR ERT-D2ZGL 251S |
| R904 | 7030003280 | S.RESISTOR ERJ3GEYJ 470 V (47 Ω) |
| C2 | 4030008920 | S.CERAMIC C1608 JB 1H 473K-T |
| C3 | 4030006880 | S.CERAMIC C1608 JB 1H 472K-T |
| C4 | 4030006870 | S.CERAMIC C1608 JB 1H 222K-T |
| C5 | 4030006900 | S.CERAMIC C1608 JB 1H 103K-T |
| C6 | 4030010020 | S.CERAMIC C1608 JB 1H 122K-T |
| C7 | 4030008860 | S.CERAMIC C1608 JB 1H 153K-T |
| C8 | 4030006870 | S.CERAMIC C1608 JB 1H 222K-T |
| C9 | 4030008920 | S.CERAMIC C1608 JB 1H 473K-T |
| C10 | 4030008920 | S.CERAMIC C1608 JB 1H 473K-T |
| C11 | 4030006870 | S.CERAMIC C1608 JB 1H 222K-T |
| C12 | 4030006810 | S.CERAMIC C1608 SL 1H 271J-T |
| C13 | 4030009970 | S.CERAMIC C1608 JB 1H 182K-T |
| C14 | 4030008920 | S.CERAMIC C1608 JB 1H 473K-T |
| C15 | 4030010070 | S.CERAMIC C1608 X7S 1C 104K-T |
| C16 | 4030010070 | S.CERAMIC C1608 X7S 1C 104K-T |
| C17 | 4030009980 | S.CERAMIC C1608 JB 1H 152K-T |
| C18 | 4030010750 | S.CERAMIC C1608 CH 1H 201J-T |
| C19 | 4030009980 | S.CERAMIC C1608 JB 1H 152K-T |
| C20 | 4030008470 | S.CERAMIC C1608 JB 1H 272K-T |
| C21 | 4030008850 | S.CERAMIC C1608 JB 1H 123K-T |
| C22 | 4030009980 | S.CERAMIC C1608 JB 1H 152K-T |
| C23 | 4030010070 | S.CERAMIC C1608 X7S 1C 104K-T |
| C24 | 4030010070 | S.CERAMIC C1608 X7S 1C 104K-T |
| C25 | 4030010040 | S.CERAMIC C1608 JB 1H 561K-T |
| C26 | 4030007140 | S.CERAMIC C1608 CH 1H 121J-T |
| C27 | 4030010040 | S.CERAMIC C1608 JB 1H 561K-T |
| C28 | 4030009980 | S.CERAMIC C1608 JB 1H 152K-T |
| C29 | 4030006880 | S.CERAMIC C1608 JB 1H 472K-T |
| C30 | 4030006860 | S.CERAMIC C1608 JB 1H 102K-T |
| C31 | 4030010070 | S.CERAMIC C1608 X7S 1C 104K-T |
| C32 | 4030010070 | S.CERAMIC C1608 X7S 1C 104K-T |
| C33 | 4030010040 | S.CERAMIC C1608 JB 1H 561K-T |
| C34 | 4030007130 | S.CERAMIC C1608 CH 1H 101J-T |
| C35 | 4030006850 | S.CERAMIC C1608 JB 1H 471K-T |
| C36 | 4030010040 | S.CERAMIC C1608 JB 1H 561K-T |
| C37 | 4030009970 | S.CERAMIC C1608 JB 1H 182K-T |
| C38 | 4030006850 | S.CERAMIC C1608 JB 1H 471K-T |
| C39 | 4030010070 | S.CERAMIC C1608 X7S 1C 104K-T |
| C40 | 4030010070 | S.CERAMIC C1608 X7S 1C 104K-T |
| C41 | 4030006850 | S.CERAMIC C1608 JB 1H 471K-T |
| C42 | 4030007100 | S.CERAMIC C1608 CH 1H 560J-T |
| C43 | 4030006830 | S.CERAMIC C1608 SL 1H 331J-T |
| C44 | 4030006850 | S.CERAMIC C1608 JB 1H 471K-T |
| C45 | 4030006870 | S.CERAMIC C1608 JB 1H 222K-T |
| C46 | 4030006830 | S.CERAMIC C1608 SL 1H 331J-T |
| C47 | 4030010070 | S.CERAMIC C1608 X7S 1C 104K-T |
| C48 | 4030010070 | S.CERAMIC C1608 X7S 1C 104K-T |
| C49 | 4030006840 | S.CERAMIC C1608 SL 1H 391J-T |
| C50 | 4030007080 | S.CERAMIC C1608 CH 1H 390J-T |
| C51 | 4030006820 | S.CERAMIC C1608 SL 1H 301J-T |
| C52 | 4030006810 | S.CERAMIC C1608 SL 1H 271J-T |
| C53 | 4030006870 | S.CERAMIC C1608 JB 1H 222K-T |
| C54 | 4030007170 | S.CERAMIC C1608 CH 1H 221J-T |
| C55 | 4030010070 | S.CERAMIC C1608 X7S 1C 104K-T |
| C56 | 4030010070 | S.CERAMIC C1608 X7S 1C 104K-T |

[GEN]: [GEN-21], [GEN-22], [GEN-23] [EUR]: [EUR-21], [EUR-22]
 [GMDSS]: [GEN-23], [EUR-22] [Others]: [GEN-21], [GEN-22], [EUR-21]

S.=Surface mount

[MAIN UNIT]

| REF NO. | ORDER NO. | DESCRIPTION |
|---------|------------|-------------------------------|
| C57 | 4030006820 | S.CERAMIC C1608 SL 1H 301J-T |
| C58 | 4030007090 | S.CERAMIC C1608 CH 1H 470J-T |
| C59 | 4030007170 | S.CERAMIC C1608 CH 1H 221J-T |
| C60 | 4030006810 | S.CERAMIC C1608 SL 1H 271J-T |
| C61 | 4030009980 | S.CERAMIC C1608 JB 1H 152K-T |
| C62 | 4030007160 | S.CERAMIC C1608 CH 1H 181J-T |
| C63 | 4030010070 | S.CERAMIC C1608 X7S 1C 104K-T |
| C64 | 4030010070 | S.CERAMIC C1608 X7S 1C 104K-T |
| C65 | 4030010750 | S.CERAMIC C1608 CH 1H 201J-T |
| C66 | 4030007050 | S.CERAMIC C1608 CH 1H 220J-T |
| C67 | 4030007160 | S.CERAMIC C1608 CH 1H 181J-T |
| C68 | 4030007160 | S.CERAMIC C1608 CH 1H 181J-T |
| C69 | 4030009980 | S.CERAMIC C1608 JB 1H 152K-T |
| C70 | 4030007150 | S.CERAMIC C1608 CH 1H 151J-T |
| C71 | 4030010070 | S.CERAMIC C1608 X7S 1C 104K-T |
| C72 | 4030010070 | S.CERAMIC C1608 X7S 1C 104K-T |
| C73 | 4030007150 | S.CERAMIC C1608 CH 1H 151J-T |
| C74 | 4030007040 | S.CERAMIC C1608 CH 1H 180J-T |
| C75 | 4030007130 | S.CERAMIC C1608 CH 1H 101J-T |
| C76 | 4030007150 | S.CERAMIC C1608 CH 1H 151J-T |
| C77 | 4030006860 | S.CERAMIC C1608 JB 1H 102K-T |
| C78 | 4030007130 | S.CERAMIC C1608 CH 1H 101J-T |
| C79 | 4030010070 | S.CERAMIC C1608 X7S 1C 104K-T |
| C80 | 4030008920 | S.CERAMIC C1608 JB 1H 473K-T |
| C81 | 4030008920 | S.CERAMIC C1608 JB 1H 473K-T |
| C82 | 4030006880 | S.CERAMIC C1608 JB 1H 472K-T |
| C83 | 4030008920 | S.CERAMIC C1608 JB 1H 473K-T |
| C84 | 4030008920 | S.CERAMIC C1608 JB 1H 473K-T |
| C85 | 4030006880 | S.CERAMIC C1608 JB 1H 472K-T |
| C86 | 4030010070 | S.CERAMIC C1608 X7S 1C 104K-T |
| C87 | 4030006880 | S.CERAMIC C1608 JB 1H 472K-T |
| C88 | 4030008920 | S.CERAMIC C1608 JB 1H 473K-T |
| C89 | 4030007030 | S.CERAMIC C1608 CH 1H 150J-T |
| C90 | 4030006960 | S.CERAMIC C1608 CH 1H 050C-T |
| C91 | 4030007080 | S.CERAMIC C1608 CH 1H 390J-T |
| C92 | 4030007040 | S.CERAMIC C1608 CH 1H 180J-T |
| C93 | 4030007050 | S.CERAMIC C1608 CH 1H 220J-T |
| C94 | 4030008920 | S.CERAMIC C1608 JB 1H 473K-T |
| C95 | 4030008920 | S.CERAMIC C1608 JB 1H 473K-T |
| C96 | 4030006960 | S.CERAMIC C1608 CH 1H 050C-T |
| C98 | 4030006860 | S.CERAMIC C1608 JB 1H 102K-T |
| C99 | 4030006880 | S.CERAMIC C1608 JB 1H 472K-T |
| C100 | 4030006880 | S.CERAMIC C1608 JB 1H 472K-T |
| C101 | 4030007090 | S.CERAMIC C1608 CH 1H 470J-T |
| C102 | 4030007090 | S.CERAMIC C1608 CH 1H 470J-T |
| C103 | 4030007170 | S.CERAMIC C1608 CH 1H 221J-T |
| C104 | 4030006930 | S.CERAMIC C1608 CH 1H 020C-T |
| C106 | 4030006880 | S.CERAMIC C1608 JB 1H 472K-T |
| C107 | 4030006880 | S.CERAMIC C1608 JB 1H 472K-T |
| C108 | 4030006880 | S.CERAMIC C1608 JB 1H 472K-T |
| C109 | 4030006880 | S.CERAMIC C1608 JB 1H 472K-T |
| C110 | 4510006160 | ELECTROLYTIC 25 MV 10 HC |
| C111 | 4030006860 | S.CERAMIC C1608 JB 1H 102K-T |
| C112 | 4030006880 | S.CERAMIC C1608 JB 1H 472K-T |
| C113 | 4030008920 | S.CERAMIC C1608 JB 1H 473K-T |
| C114 | 4510006160 | ELECTROLYTIC 25 MV 10 HC |
| C115 | 4030007140 | S.CERAMIC C1608 CH 1H 121J-T |
| C116 | 4030007050 | S.CERAMIC C1608 CH 1H 220J-T |
| C117 | 4510005120 | ELECTROLYTIC 16 MV 47 HC |
| C118 | 4510006160 | ELECTROLYTIC 25 MV 10 HC |
| C119 | 4030010070 | S.CERAMIC C1608 X7S 1C 104K-T |
| C120 | 4030006880 | S.CERAMIC C1608 JB 1H 472K-T |
| C121 | 4030007030 | S.CERAMIC C1608 CH 1H 150J-T |
| C122 | 4030007030 | S.CERAMIC C1608 CH 1H 150J-T |
| C123 | 4030007040 | S.CERAMIC C1608 CH 1H 180J-T |
| C125 | 4030006810 | S.CERAMIC C1608 SL 1H 271J-T |
| C126 | 4030007100 | S.CERAMIC C1608 CH 1H 560J-T |
| C127 | 4030006880 | S.CERAMIC C1608 JB 1H 472K-T |
| C128 | 4030006830 | S.CERAMIC C1608 SL 1H 331J-T |
| C129 | 4030006830 | S.CERAMIC C1608 SL 1H 331J-T |
| C130 | 4030007120 | S.CERAMIC C1608 CH 1H 820J-T |
| C131 | 4030007030 | S.CERAMIC C1608 CH 1H 150J-T |
| C132 | 4030007150 | S.CERAMIC C1608 CH 1H 151J-T |
| C133 | 4030007010 | S.CERAMIC C1608 CH 1H 100D-T |
| C134 | 4030007120 | S.CERAMIC C1608 CH 1H 820J-T |
| C135 | 4030008920 | S.CERAMIC C1608 JB 1H 473K-T |
| C136 | 4030007010 | S.CERAMIC C1608 CH 1H 100D-T |
| C137 | 4030010070 | S.CERAMIC C1608 X7S 1C 104K-T |
| C138 | 4030010070 | S.CERAMIC C1608 X7S 1C 104K-T |
| C139 | 4030007000 | S.CERAMIC C1608 CH 1H 090D-T |
| C140 | 4030008920 | S.CERAMIC C1608 JB 1H 473K-T |
| C141 | 4030006880 | S.CERAMIC C1608 JB 1H 472K-T |

[MAIN UNIT]

| REF NO. | ORDER NO. | DESCRIPTION |
|---------|------------|--------------------------------|
| C142 | 4030007030 | S.CERAMIC C1608 CH 1H 150J-T |
| C143 | 4030006960 | S.CERAMIC C1608 CH 1H 050C-T |
| C144 | 4030006860 | S.CERAMIC C1608 JB 1H 102K-T |
| C145 | 4030006880 | S.CERAMIC C1608 JB 1H 472K-T |
| C146 | 4030006880 | S.CERAMIC C1608 JB 1H 472K-T |
| C147 | 4030006880 | S.CERAMIC C1608 JB 1H 472K-T |
| C148 | 4030006880 | S.CERAMIC C1608 JB 1H 472K-T |
| C149 | 4030006880 | S.CERAMIC C1608 JB 1H 472K-T |
| C150 | 4030006990 | S.CERAMIC C1608 CH 1H 080D-T |
| C151 | 4030006880 | S.CERAMIC C1608 JB 1H 472K-T |
| C152 | 4030006880 | S.CERAMIC C1608 JB 1H 472K-T |
| C153 | 4030006930 | S.CERAMIC C1608 CH 1H 020C-T |
| C154 | 4030008920 | S.CERAMIC C1608 JB 1H 473K-T |
| C155 | 4030006860 | S.CERAMIC C1608 JB 1H 102K-T |
| C156 | 4030006880 | S.CERAMIC C1608 JB 1H 472K-T |
| C157 | 4030006880 | S.CERAMIC C1608 JB 1H 472K-T |
| C158 | 4030006880 | S.CERAMIC C1608 JB 1H 472K-T |
| C159 | 4030006880 | S.CERAMIC C1608 JB 1H 472K-T |
| C160 | 4030008920 | S.CERAMIC C1608 JB 1H 473K-T |
| C161 | 4030006850 | S.CERAMIC C1608 JB 1H 471K-T |
| C162 | 4030006880 | S.CERAMIC C1608 JB 1H 472K-T |
| C163 | 4030008920 | S.CERAMIC C1608 JB 1H 473K-T |
| C164 | 4510008400 | ELECTROLYTIC 25 MV 22 HC |
| C165 | 4030006880 | S.CERAMIC C1608 JB 1H 472K-T |
| C166 | 4510008400 | ELECTROLYTIC 25 MV 22 HC |
| C167 | 4030007010 | S.CERAMIC C1608 CH 1H 100D-T |
| C168 | 4510005490 | ELECTROLYTIC 50 MV 2R2 HC |
| C169 | 4030006880 | S.CERAMIC C1608 JB 1H 472K-T |
| C170 | 4030008920 | S.CERAMIC C1608 JB 1H 473K-T |
| C171 | 4030006880 | S.CERAMIC C1608 JB 1H 472K-T |
| C172 | 4030008930 | S.CERAMIC C2012 JB 1C 563K-T |
| C173 | 4030008920 | S.CERAMIC C1608 JB 1H 473K-T |
| C174 | 4030006880 | S.CERAMIC C1608 JB 1H 472K-T |
| C175 | 4030006880 | S.CERAMIC C1608 JB 1H 472K-T |
| C176 | 4030006880 | S.CERAMIC C1608 JB 1H 472K-T |
| C177 | 4030006880 | S.CERAMIC C1608 JB 1H 472K-T |
| C178 | 4030006880 | S.CERAMIC C1608 JB 1H 472K-T |
| C179 | 4030006880 | S.CERAMIC C1608 JB 1H 472K-T |
| C180 | 4030006880 | S.CERAMIC C1608 JB 1H 472K-T |
| C181 | 4030006880 | S.CERAMIC C1608 JB 1H 472K-T |
| C182 | 4030006880 | S.CERAMIC C1608 JB 1H 472K-T |
| C183 | 4030007030 | S.CERAMIC C1608 CH 1H 150J-T |
| C184 | 4030006990 | S.CERAMIC C1608 CH 1H 080D-T |
| C185 | 4030007030 | S.CERAMIC C1608 CH 1H 150J-T |
| C186 | 4030006880 | S.CERAMIC C1608 JB 1H 472K-T |
| C187 | 4030006880 | S.CERAMIC C1608 JB 1H 472K-T |
| C188 | 4030006880 | S.CERAMIC C1608 JB 1H 472K-T |
| C189 | 4030006880 | S.CERAMIC C1608 JB 1H 472K-T |
| C190 | 4030006900 | S.CERAMIC C1608 JB 1H 103K-T |
| C191 | 4030006880 | S.CERAMIC C1608 JB 1H 472K-T |
| C192 | 4030006880 | S.CERAMIC C1608 JB 1H 472K-T |
| C193 | 4510006160 | ELECTROLYTIC 25 MV 10 HC |
| C194 | 4030006880 | S.CERAMIC C1608 JB 1H 472K-T |
| C195 | 4030006900 | S.CERAMIC C1608 JB 1H 103K-T |
| C196 | 4030006880 | S.CERAMIC C1608 JB 1H 472K-T |
| C197 | 4030006880 | S.CERAMIC C1608 JB 1H 472K-T |
| C198 | 4030006880 | S.CERAMIC C1608 JB 1H 472K-T |
| C199 | 4510005120 | ELECTROLYTIC 16 MV 47 HC |
| C200 | 4030006830 | S.CERAMIC C1608 SL 1H 331J-T |
| C201 | 4030006880 | S.CERAMIC C1608 JB 1H 472K-T |
| C202 | 4030007170 | S.CERAMIC C1608 CH 1H 221J-T |
| C203 | 4030007050 | S.CERAMIC C1608 CH 1H 220J-T |
| C204 | 4030010070 | S.CERAMIC C1608 X7S 1C 104K-T |
| C205 | 4030011600 | S.CERAMIC C1608 JB 1E 104K-T |
| C206 | 4510001910 | ELECTROLYTIC 25 MS7 10UF (5X7) |
| C207 | 4030012610 | S.CERAMIC C2012 JB 1C 474K-T |
| C208 | 4030006880 | S.CERAMIC C1608 JB 1H 472K-T |
| C209 | 4030011600 | S.CERAMIC C1608 JB 1E 104K-T |
| C210 | 4510001910 | ELECTROLYTIC 25 MS7 10UF (5X7) |
| C211 | 4030006880 | S.CERAMIC C1608 JB 1H 472K-T |
| C212 | 4030006880 | S.CERAMIC C1608 JB 1H 472K-T |
| C213 | 4030010070 | S.CERAMIC C1608 X7S 1C 104K-T |
| C214 | 4510001910 | ELECTROLYTIC 25 MS7 10UF (5X7) |
| C215 | 4030011600 | S.CERAMIC C1608 JB 1E 104K-T |
| C216 | 4030007050 | S.CERAMIC C1608 CH 1H 220J-T |
| C217 | 4030006880 | S.CERAMIC C1608 JB 1H 472K-T |
| C218 | 4510008400 | ELECTROLYTIC 25 MV 22 HC |
| C222 | 4030007170 | S.CERAMIC C1608 CH 1H 221J-T |
| C225 | 4030006880 | S.CERAMIC C1608 JB 1H 472K-T |
| C226 | 4510008400 | ELECTROLYTIC 25 MV 22 HC |
| C228 | 4030006880 | S.CERAMIC C1608 JB 1H 472K-T |
| C229 | 4030006850 | S.CERAMIC C1608 JB 1H 471K-T |

[GEN]: [GEN-21], [GEN-22], [GEN-23] [EUR]: [EUR-21], [EUR-22]
 [GMDSS]: [GEN-23], [EUR-22] [Others]: [GEN-21], [GEN-22], [EUR-21]

S.=Surface mount

[MAIN UNIT]

| REF NO. | ORDER NO. | DESCRIPTION |
|---------|------------|-------------------------------|
| C230 | 4510006160 | ELECTROLYTIC 25 MV 10 HC |
| C231 | 4510006160 | ELECTROLYTIC 25 MV 10 HC |
| C232 | 4030006860 | S.CERAMIC C1608 JB 1H 102K-T |
| C234 | 4510006160 | ELECTROLYTIC 25 MV 10 HC |
| C235 | 4510006160 | ELECTROLYTIC 25 MV 10 HC |
| C236 | 4510006160 | ELECTROLYTIC 25 MV 10 HC |
| C237 | 4030006880 | S.CERAMIC C1608 JB 1H 472K-T |
| C238 | 4030007130 | S.CERAMIC C1608 CH 1H 101J-T |
| C239 | 4030007150 | S.CERAMIC C1608 CH 1H 151J-T |
| C240 | 4030006880 | S.CERAMIC C1608 JB 1H 472K-T |
| C241 | 4030006810 | S.CERAMIC C1608 SL 1H 271J-T |
| C242 | 4030007090 | S.CERAMIC C1608 CH 1H 470J-T |
| C243 | 4510008400 | ELECTROLYTIC 25 MV 22 HC |
| C244 | 4030008920 | S.CERAMIC C1608 JB 1H 473K-T |
| C245 | 4510005490 | ELECTROLYTIC 50 MV 2R2 HC |
| C246 | 4030006880 | S.CERAMIC C1608 JB 1H 472K-T |
| C247 | 4030006830 | S.CERAMIC C1608 SL 1H 331J-T |
| C248 | 4030006860 | S.CERAMIC C1608 JB 1H 102K-T |
| C249 | 4030010070 | S.CERAMIC C1608 X7S 1C 104K-T |
| C250 | 4510005120 | ELECTROLYTIC 16 MV 47 HC |
| C251 | 4510008400 | ELECTROLYTIC 25 MV 22 HC |
| C252 | 4030008920 | S.CERAMIC C1608 JB 1H 473K-T |
| C253 | 4030014300 | S.CERAMIC C1005 JB 1H 473K-T |
| C254 | 4030012610 | S.CERAMIC C2012 JB 1C 474K-T |
| C256 | 4030009980 | S.CERAMIC C1608 JB 1H 152K-T |
| C257 | 4310000610 | MYLAR 50 F2D 472J |
| C258 | 4510008410 | ELECTROLYTIC 25 MV 4R7 HC |
| C259 | 4030007170 | S.CERAMIC C1608 CH 1H 221J-T |
| C260 | 4030006880 | S.CERAMIC C1608 JB 1H 472K-T |
| C261 | 4510005120 | ELECTROLYTIC 16 MV 47 HC |
| C262 | 4310000360 | MYLAR 50 F2D 103J |
| C263 | 4510004990 | ELECTROLYTIC 16 MV 100 HC |
| C264 | 4310000360 | MYLAR 50 F2D 103J |
| C265 | 4510004910 | ELECTROLYTIC 16 MV 10 SWN |
| C266 | 4510008410 | ELECTROLYTIC 25 MV 4R7 HC |
| C267 | 4510008420 | ELECTROLYTIC 50 MV R47 HC |
| C268 | 4510005120 | ELECTROLYTIC 16 MV 47 HC |
| C269 | 4510005490 | ELECTROLYTIC 50 MV 2R2 HC |
| C270 | 4510008410 | ELECTROLYTIC 25 MV 4R7 HC |
| C271 | 4030010070 | S.CERAMIC C1608 X7S 1C 104K-T |
| C275 | 4510005120 | ELECTROLYTIC 16 MV 47 HC |
| C276 | 4030006880 | S.CERAMIC C1608 JB 1H 472K-T |
| C277 | 4510008410 | ELECTROLYTIC 25 MV 4R7 HC |
| C278 | 4510005250 | ELECTROLYTIC 50 MV 2R2 SWN |
| C279 | 4510005250 | ELECTROLYTIC 50 MV 2R2 SWN |
| C280 | 4510005250 | ELECTROLYTIC 50 MV 2R2 SWN |
| C281 | 4030010070 | S.CERAMIC C1608 X7S 1C 104K-T |
| C282 | 4030006880 | S.CERAMIC C1608 JB 1H 472K-T |
| C283 | 4030006900 | S.CERAMIC C1608 JB 1H 103K-T |
| C284 | 4030006900 | S.CERAMIC C1608 JB 1H 103K-T |
| C285 | 4510008420 | ELECTROLYTIC 50 MV R47 HC |
| C286 | 4510008420 | ELECTROLYTIC 50 MV R47 HC |
| C287 | 4510006160 | ELECTROLYTIC 25 MV 10 HC |
| C288 | 4030006880 | S.CERAMIC C1608 JB 1H 472K-T |
| C289 | 4030006880 | S.CERAMIC C1608 JB 1H 472K-T |
| C290 | 4510006160 | ELECTROLYTIC 25 MV 10 HC |
| C293 | 4510006160 | ELECTROLYTIC 25 MV 10 HC |
| C294 | 4310000380 | MYLAR 50 F2D 153J |
| C295 | 4310000380 | MYLAR 50 F2D 153J |
| C296 | 4310000380 | MYLAR 50 F2D 153J |
| C297 | 4030008920 | S.CERAMIC C1608 JB 1H 473K-T |
| C298 | 4510006160 | ELECTROLYTIC 25 MV 10 HC |
| C299 | 4510003790 | ELECTROLYTIC 16 MV 10 SWB |
| C300 | 4030006880 | S.CERAMIC C1608 JB 1H 472K-T |
| C301 | 4510003790 | ELECTROLYTIC 16 MV 10 SWB |
| C302 | 4030006880 | S.CERAMIC C1608 JB 1H 472K-T |
| C303 | 4510003850 | ELECTROLYTIC 50 MV 2R2 SWB |
| C304 | 4510001360 | ELECTROLYTIC 16 MS5 22UF |
| C305 | 4550000340 | TANTALUM DN 1C 100M |
| C306 | 4030006900 | S.CERAMIC C1608 JB 1H 103K-T |
| C307 | 4030006860 | S.CERAMIC C1608 JB 1H 102K-T |
| C317 | 4030006880 | S.CERAMIC C1608 JB 1H 472K-T |
| C319 | 4030006880 | S.CERAMIC C1608 JB 1H 472K-T |
| C320 | 4030006880 | S.CERAMIC C1608 JB 1H 472K-T |
| C321 | 4030006880 | S.CERAMIC C1608 JB 1H 472K-T |
| C322 | 4030006880 | S.CERAMIC C1608 JB 1H 472K-T |
| C323 | 4030006880 | S.CERAMIC C1608 JB 1H 472K-T |
| C324 | 4030006880 | S.CERAMIC C1608 JB 1H 472K-T |
| C325 | 4030006880 | S.CERAMIC C1608 JB 1H 472K-T |
| C326 | 4030006880 | S.CERAMIC C1608 JB 1H 472K-T |
| C343 | 4510008410 | ELECTROLYTIC 25 MV 4R7 HC |
| C361 | 4030006880 | S.CERAMIC C1608 JB 1H 472K-T |

[MAIN UNIT]

| REF NO. | ORDER NO. | DESCRIPTION |
|---------|------------|-------------------------------|
| C362 | 4030006880 | S.CERAMIC C1608 JB 1H 472K-T |
| C363 | 4030006880 | S.CERAMIC C1608 JB 1H 472K-T |
| C364 | 4030006880 | S.CERAMIC C1608 JB 1H 472K-T |
| C374 | 4030006880 | S.CERAMIC C1608 JB 1H 472K-T |
| C387 | 4030006880 | S.CERAMIC C1608 JB 1H 472K-T |
| C397 | 4030006880 | S.CERAMIC C1608 JB 1H 472K-T |
| C398 | 4030006880 | S.CERAMIC C1608 JB 1H 472K-T |
| C401 | 4030008920 | S.CERAMIC C1608 JB 1H 473K-T |
| C403 | 4030006880 | S.CERAMIC C1608 JB 1H 472K-T |
| C408 | 4030007130 | S.CERAMIC C1608 CH 1H 101J-T |
| C409 | 4030006880 | S.CERAMIC C1608 JB 1H 472K-T |
| C410 | 4030006880 | S.CERAMIC C1608 JB 1H 472K-T |
| C411 | 4030006880 | S.CERAMIC C1608 JB 1H 472K-T |
| C412 | 4030006880 | S.CERAMIC C1608 JB 1H 472K-T |
| C413 | 4030006880 | S.CERAMIC C1608 JB 1H 472K-T |
| C414 | 4030006880 | S.CERAMIC C1608 JB 1H 472K-T |
| C416 | 4030006880 | S.CERAMIC C1608 JB 1H 472K-T |
| C417 | 4030006880 | S.CERAMIC C1608 JB 1H 472K-T |
| C418 | 4030006880 | S.CERAMIC C1608 JB 1H 472K-T |
| C419 | 4030006880 | S.CERAMIC C1608 JB 1H 472K-T |
| C420 | 4030006880 | S.CERAMIC C1608 JB 1H 472K-T |
| C421 | 4030006880 | S.CERAMIC C1608 JB 1H 472K-T |
| C434 | 4030006880 | S.CERAMIC C1608 JB 1H 472K-T |
| C435 | 4030006880 | S.CERAMIC C1608 JB 1H 472K-T |
| C436 | 4510005490 | ELECTROLYTIC 50 MV 2R2 HC |
| C437 | 4030008920 | S.CERAMIC C1608 JB 1H 473K-T |
| C438 | 4030007030 | S.CERAMIC C1608 CH 1H 150J-T |
| C439 | 4030007010 | S.CERAMIC C1608 CH 1H 100D-T |
| C444 | 4030011600 | S.CERAMIC C1608 JB 1E 104K-T |
| C448 | 4030006880 | S.CERAMIC C1608 JB 1H 472K-T |
| C449 | 4510008410 | ELECTROLYTIC 25 MV 4R7 HC |
| C450 | 4030006880 | S.CERAMIC C1608 JB 1H 472K-T |
| C451 | 4510008410 | ELECTROLYTIC 25 MV 4R7 HC |
| C452 | 4030006880 | S.CERAMIC C1608 JB 1H 472K-T |
| C454 | 4030006880 | S.CERAMIC C1608 JB 1H 472K-T |
| C455 | 4510004590 | ELECTROLYTIC 16 MV 470 HC |
| C456 | 4030007010 | S.CERAMIC C1608 CH 1H 100D-T |
| C457 | 4030006920 | S.CERAMIC C1608 CH 1H 010C-T |
| C458 | 4030007010 | S.CERAMIC C1608 CH 1H 100D-T |
| C459 | 4030006970 | S.CERAMIC C1608 CH 1H 060D-T |
| C460 | 4030006920 | S.CERAMIC C1608 CH 1H 010C-T |
| C461 | 4030006860 | S.CERAMIC C1608 JB 1H 102K-T |
| C462 | 4030006880 | S.CERAMIC C1608 JB 1H 472K-T |
| C463 | 4030006860 | S.CERAMIC C1608 JB 1H 102K-T |
| C464 | 4030006880 | S.CERAMIC C1608 JB 1H 472K-T |
| C501 | 4030010070 | S.CERAMIC C1608 X7S 1C 104K-T |
| C502 | 4510004470 | ELECTROLYTIC FYLOH 473Z |
| C503 | 4510006160 | ELECTROLYTIC 25 MV 10 HC |
| C504 | 4510003820 | ELECTROLYTIC 50 MV R22 SWB |
| C507 | 4030010070 | S.CERAMIC C1608 X7S 1C 104K-T |
| C508 | 4030010070 | S.CERAMIC C1608 X7S 1C 104K-T |
| C509 | 4030007020 | S.CERAMIC C1608 CH 1H 120J-T |
| C510 | 4030007020 | S.CERAMIC C1608 CH 1H 120J-T |
| C511 | 4030006880 | S.CERAMIC C1608 JB 1H 472K-T |
| C512 | 4030006880 | S.CERAMIC C1608 JB 1H 472K-T |
| C513 | 4030006880 | S.CERAMIC C1608 JB 1H 472K-T |
| C514 | 4030006880 | S.CERAMIC C1608 JB 1H 472K-T |
| C515 | 4030006880 | S.CERAMIC C1608 JB 1H 472K-T |
| C516 | 4030006880 | S.CERAMIC C1608 JB 1H 472K-T |
| C517 | 4030006880 | S.CERAMIC C1608 JB 1H 472K-T |
| C518 | 4030006880 | S.CERAMIC C1608 JB 1H 472K-T |
| C519 | 4030006880 | S.CERAMIC C1608 JB 1H 472K-T |
| C520 | 4030006880 | S.CERAMIC C1608 JB 1H 472K-T |
| C521 | 4030006880 | S.CERAMIC C1608 JB 1H 472K-T |
| C522 | 4030006880 | S.CERAMIC C1608 JB 1H 472K-T |
| C523 | 4030006880 | S.CERAMIC C1608 JB 1H 472K-T |
| C524 | 4030006880 | S.CERAMIC C1608 JB 1H 472K-T |
| C525 | 4030006880 | S.CERAMIC C1608 JB 1H 472K-T |
| C526 | 4030006880 | S.CERAMIC C1608 JB 1H 472K-T |
| C527 | 4030006880 | S.CERAMIC C1608 JB 1H 472K-T |
| C528 | 4030006880 | S.CERAMIC C1608 JB 1H 472K-T |
| C531 | 4030006880 | S.CERAMIC C1608 JB 1H 472K-T |
| C532 | 4030006880 | S.CERAMIC C1608 JB 1H 472K-T |
| C533 | 4030006880 | S.CERAMIC C1608 JB 1H 472K-T |
| C534 | 4030006880 | S.CERAMIC C1608 JB 1H 472K-T |
| C535 | 4030006880 | S.CERAMIC C1608 JB 1H 472K-T |
| C538 | 4030006880 | S.CERAMIC C1608 JB 1H 472K-T |
| C539 | 4030006880 | S.CERAMIC C1608 JB 1H 472K-T |
| C542 | 4030006880 | S.CERAMIC C1608 JB 1H 472K-T |
| C543 | 4030006880 | S.CERAMIC C1608 JB 1H 472K-T |
| C544 | 4030006880 | S.CERAMIC C1608 JB 1H 472K-T |
| C546 | 4030006880 | S.CERAMIC C1608 JB 1H 472K-T |

[GEN]: [GEN-21], [GEN-22], [GEN-23] [EUR]: [EUR-21], [EUR-22]

[GMDSS]: [GEN-23], [EUR-22] [Others]: [GEN-21], [GEN-22], [EUR-21]

S.=Surface mount

[MAIN UNIT]

| REF NO. | ORDER NO. | DESCRIPTION | |
|---------|------------|--------------|----------------------------|
| C547 | 4030006880 | S.CERAMIC | C1608 JB 1H 472K-T |
| C548 | 4030006880 | S.CERAMIC | C1608 JB 1H 472K-T |
| C550 | 4030006880 | S.CERAMIC | C1608 JB 1H 472K-T |
| C551 | 4030006880 | S.CERAMIC | C1608 JB 1H 472K-T |
| C555 | 4030006880 | S.CERAMIC | C1608 JB 1H 472K-T |
| C558 | 4510005120 | ELECTROLYTIC | 16 MV 47 HC |
| C559 | 4030006880 | S.CERAMIC | C1608 JB 1H 472K-T |
| C560 | 4030006880 | S.CERAMIC | C1608 JB 1H 472K-T |
| C561 | 4030007130 | S.CERAMIC | C1608 CH 1H 101J-T |
| C562 | 4030008920 | S.CERAMIC | C1608 JB 1H 473K-T |
| C564 | 4030006880 | S.CERAMIC | C1608 JB 1H 472K-T |
| C565 | 4030006880 | S.CERAMIC | C1608 JB 1H 472K-T |
| C568 | 4030006880 | S.CERAMIC | C1608 JB 1H 472K-T |
| C569 | 4030006880 | S.CERAMIC | C1608 JB 1H 472K-T |
| C571 | 4030008920 | S.CERAMIC | C1608 JB 1H 473K-T |
| C572 | 4030008920 | S.CERAMIC | C1608 JB 1H 473K-T |
| C573 | 4030008920 | S.CERAMIC | C1608 JB 1H 473K-T |
| C574 | 4030007130 | S.CERAMIC | C1608 CH 1H 101J-T |
| C581 | 4030006880 | S.CERAMIC | C1608 JB 1H 472K-T |
| C582 | 4030006880 | S.CERAMIC | C1608 JB 1H 472K-T |
| C583 | 4030006880 | S.CERAMIC | C1608 JB 1H 102K-T |
| C584 | 4030006880 | S.CERAMIC | C1608 JB 1H 472K-T |
| C585 | 4030010070 | S.CERAMIC | C1608 X7S 1C 104K-T |
| C593 | 4030010070 | S.CERAMIC | C1608 X7S 1C 104K-T |
| C594 | 4030010070 | S.CERAMIC | C1608 X7S 1C 104K-T |
| C595 | 4030010070 | S.CERAMIC | C1608 X7S 1C 104K-T |
| C597 | 4030006880 | S.CERAMIC | C1608 JB 1H 472K-T |
| C598 | 4510008420 | ELECTROLYTIC | 50 MV R47 HC |
| C599 | 4510005000 | ELECTROLYTIC | 16 MV 220 HC |
| C600 | 4510004910 | ELECTROLYTIC | 16 MV 10 SWN |
| C601 | 4510004910 | ELECTROLYTIC | 16 MV 10 SWN |
| C602 | 4030011600 | S.CERAMIC | C1608 JB 1E 104K-T [GMDSS] |
| C603 | 4030011600 | S.CERAMIC | C1608 JB 1E 104K-T [GMDSS] |
| C604 | 4030011600 | S.CERAMIC | C1608 JB 1E 104K-T [GMDSS] |
| C605 | 4510004490 | ELECTROLYTIC | 25 MV 22 HW [GMDSS] |
| C606 | 4030011600 | S.CERAMIC | C1608 JB 1E 104K-T [GMDSS] |
| C607 | 4030011600 | S.CERAMIC | C1608 JB 1E 104K-T [GMDSS] |
| C608 | 4030010070 | S.CERAMIC | C1608 X7S 1C 104K-T |
| C609 | 4510008400 | ELECTROLYTIC | 25 MV 22 HC |
| C610 | 4030010070 | S.CERAMIC | C1608 X7S 1C 104K-T |
| C611 | 4030011600 | S.CERAMIC | C1608 JB 1E 104K-T [GMDSS] |
| C614 | 4510005210 | ELECTROLYTIC | 50 MV 1 SWN |
| C616 | 4030006880 | S.CERAMIC | C1608 JB 1H 472K-T [GMDSS] |
| C618 | 4030007030 | S.CERAMIC | C1608 CH 1H 150J-T |
| C620 | 4030006920 | S.CERAMIC | C1608 CH 1H 010C-T |
| C622 | 4030006850 | S.CERAMIC | C1608 JB 1H 471K-T |
| C623 | 4030009980 | S.CERAMIC | C1608 JB 1H 152K-T |
| C624 | 4030007140 | S.CERAMIC | C1608 CH 1H 121J-T |
| C625 | 4030006870 | S.CERAMIC | C1608 JB 1H 222K-T |
| C627 | 4030006810 | S.CERAMIC | C1608 SL 1H 271J-T |
| C628 | 4030007030 | S.CERAMIC | C1608 CH 1H 150J-T |
| C629 | 4030008850 | S.CERAMIC | C1608 JB 1H 123K-T |
| C631 | 4510008410 | ELECTROLYTIC | 25 MV 4R7 HC |
| C632 | 4510006160 | ELECTROLYTIC | 25 MV 10 HC |
| C633 | 4030008920 | S.CERAMIC | C1608 JB 1H 473K-T |
| C634 | 4030008920 | S.CERAMIC | C1608 JB 1H 473K-T |
| C635 | 4510003790 | ELECTROLYTIC | 16 MV 10 SWB |
| C637 | 4030006860 | S.CERAMIC | C1608 JB 1H 102K-T |
| C639 | 4030009980 | S.CERAMIC | C1608 JB 1H 152K-T |
| C640 | 4030006880 | S.CERAMIC | C1608 JB 1H 472K-T |
| C641 | 4030006880 | S.CERAMIC | C1608 JB 1H 472K-T |
| C642 | 4030006880 | S.CERAMIC | C1608 JB 1H 472K-T |
| C643 | 4030006880 | S.CERAMIC | C1608 JB 1H 472K-T |
| C644 | 4030006880 | S.CERAMIC | C1608 JB 1H 472K-T |
| C645 | 4030006880 | S.CERAMIC | C1608 JB 1H 472K-T |
| C646 | 4030006860 | S.CERAMIC | C1608 JB 1H 102K-T |
| C647 | 4030006850 | S.CERAMIC | C1608 JB 1H 471K-T |
| C648 | 4030006880 | S.CERAMIC | C1608 JB 1H 472K-T |
| C649 | 4030010070 | S.CERAMIC | C1608 X7S 1C 104K-T |
| C650 | 4030008920 | S.CERAMIC | C1608 JB 1H 473K-T |
| C651 | 4030007050 | S.CERAMIC | C1608 CH 1H 220J-T |
| C652 | 4030010070 | S.CERAMIC | C1608 X7S 1C 104K-T |
| C653 | 4030010070 | S.CERAMIC | C1608 X7S 1C 104K-T |
| C654 | 4030006880 | S.CERAMIC | C1608 JB 1H 472K-T |
| C655 | 4030010070 | S.CERAMIC | C1608 X7S 1C 104K-T |
| C656 | 4030010070 | S.CERAMIC | C1608 X7S 1C 104K-T |
| C657 | 4030010070 | S.CERAMIC | C1608 X7S 1C 104K-T |
| C658 | 4030010070 | S.CERAMIC | C1608 X7S 1C 104K-T |
| C659 | 4030010070 | S.CERAMIC | C1608 X7S 1C 104K-T |
| C660 | 4030010070 | S.CERAMIC | C1608 X7S 1C 104K-T |
| C661 | 4030010070 | S.CERAMIC | C1608 X7S 1C 104K-T |
| C662 | 4030010070 | S.CERAMIC | C1608 X7S 1C 104K-T |

[MAIN UNIT]

| REF NO. | ORDER NO. | DESCRIPTION | |
|---------|------------|--------------|-----------------------------|
| C663 | 4030007050 | S.CERAMIC | C1608 CH 1H 220J-T |
| C664 | 4030006880 | S.CERAMIC | C1608 JB 1H 472K-T |
| C665 | 4030006880 | S.CERAMIC | C1608 JB 1H 472K-T |
| C666 | 4030006880 | S.CERAMIC | C1608 JB 1H 472K-T |
| C667 | 4030006880 | S.CERAMIC | C1608 JB 1H 472K-T |
| C668 | 4030006880 | S.CERAMIC | C1608 JB 1H 472K-T |
| C669 | 4030006880 | S.CERAMIC | C1608 JB 1H 472K-T |
| C670 | 4510005150 | ELECTROLYTIC | 50 MV 10 HC |
| C671 | 4510004990 | ELECTROLYTIC | 16 MV 100 HC |
| C672 | 4510004990 | ELECTROLYTIC | 16 MV 100 HC |
| C673 | 4510004990 | ELECTROLYTIC | 16 MV 100 HC |
| C674 | 4510003840 | ELECTROLYTIC | 50 MV 1 SWB |
| C675 | 4030006880 | S.CERAMIC | C1608 JB 1H 472K-T [EUR] |
| C676 | 4030006880 | S.CERAMIC | C1608 JB 1H 472K-T [EUR] |
| C677 | 4030006880 | S.CERAMIC | C1608 JB 1H 472K-T [EUR] |
| C678 | 4030006880 | S.CERAMIC | C1608 JB 1H 472K-T [EUR] |
| C679 | 4030006880 | S.CERAMIC | C1608 JB 1H 472K-T [EUR] |
| C680 | 4030006880 | S.CERAMIC | C1608 JB 1H 472K-T [EUR-22] |
| C681 | 4030006880 | S.CERAMIC | C1608 JB 1H 472K-T [EUR-22] |
| C682 | 4030011600 | S.CERAMIC | C1608 JB 1E 104K-T |
| C683 | 4510004910 | ELECTROLYTIC | 16 MV 10 SWN |
| C684 | 4510008420 | ELECTROLYTIC | 50 MV R47 HC |
| C685 | 4030011600 | S.CERAMIC | C1608 JB 1E 104K-T |
| C686 | 4510001910 | ELECTROLYTIC | 25 MS7 10UF (5X7) |
| C687 | 4030001910 | ELECTROLYTIC | 25 MS7 10UF (5X7) |
| C688 | 4030001910 | ELECTROLYTIC | 25 MS7 10UF (5X7) |
| C690 | 4030011600 | S.CERAMIC | C1608 JB 1E 104K-T |
| C708 | 4030011600 | S.CERAMIC | C1608 JB 1E 104K-T |
| C711 | 4030011600 | S.CERAMIC | C1608 JB 1E 104K-T |
| C712 | 4030011600 | S.CERAMIC | C1608 JB 1E 104K-T |
| C713 | 4030011600 | S.CERAMIC | C1608 JB 1E 104K-T |
| C717 | 4030006880 | S.CERAMIC | C1608 JB 1H 472K-T |
| C718 | 4030011600 | S.CERAMIC | C1608 JB 1E 104K-T |
| C1051 | 4030006880 | S.CERAMIC | C1608 JB 1H 472K-T |
| RL2 | 6330001320 | RELAY | AHY103 |
| J1 | 6510017150 | CONNECTOR | TMP-S01X-C1 |
| J2 | 6510017150 | CONNECTOR | TMP-S01X-C1 |
| J3 | 6510007020 | CONNECTOR | TMP-J01X-V6 |
| J4 | 6510007020 | CONNECTOR | TMP-J01X-V6 |
| J5 | 6510007020 | CONNECTOR | TMP-J01X-V6 |
| J6 | 6450001240 | CONNECTOR | HLJ4306-01-3000 |
| J7 | 6450001440 | CONNECTOR | HSJ1403-01-010 |
| J9 | 6510017660 | CONNECTOR | 52045-1645 |
| J11 | 6510023120 | CONNECTOR | CD6109SA1J0 <CVI> |
| J12 | 6450001580 | CONNECTOR | TCS5073-28-4151 [Others] |
| J13 | 6510024540 | CONNECTOR | TCS5073-27-4151 |
| J15 | 6510003400 | CONNECTOR | B04B-EH-S |
| J16 | 6510003430 | CONNECTOR | B07B-EH-S |
| J19 | 6510017660 | CONNECTOR | 52045-1645 |
| J20 | 6510003390 | CONNECTOR | B03B-EH-S |
| J22 | 6510017650 | CONNECTOR | 52045-1045 |
| J23 | 6510003400 | CONNECTOR | B04B-EH-S |
| J29 | 6510018150 | S.CONNECTOR | 4-175638-0 |
| J30 | 6510017950 | S.CONNECTOR | 4-175638-4 |
| J31 | 6510023120 | CONNECTOR | DCD6109SA1J0 [GMDSS] |
| J32 | 6510010020 | CONNECTOR | RTB-1.5-2F |
| J33 | 6450001560 | CONNECTOR | PD-72 |
| S9 | 2220000520 | SWITCH | ESD-11V120 |
| S11 | 2220000520 | SWITCH | ESD-11V120 |
| T1 | 5920000570 | TRANSFORMER | 12T01 [GMDSS] |
| T2 | 5920000570 | TRANSFORMER | 12T01 [GMDSS] |
| T3 | 5920000570 | TRANSFORMER | 12T01 [GMDSS] |
| T4 | 5920000570 | TRANSFORMER | 12T01 [GMDSS] |
| W1 | 7120000470 | JUMPER | ERDS2T0 |
| W10 | 7030003860 | S.RESISTOR | ERJ3GE JPW V [GEN] |
| W11 | 7120000010 | JUMPER | JPW 02A [Others] |
| W12 | 7030003860 | S.RESISTOR | ERJ3GE JPW V [Others] |
| W13 | 7120000010 | JUMPER | JPW 02A [Others] |
| W14 | 7030003860 | S.RESISTOR | ERJ3GE JPW V [Others] |
| W17 | 7030003860 | S.RESISTOR | ERJ3GE JPW V [Others] |

[GEN]: [GEN-21], [GEN-22], [GEN-23] [EUR]: [EUR-21], [EUR-22]
 [GMDSS]: [GEN-23], [EUR-22] [Others]: [GEN-21], [GEN-22], [EUR-21]

S.=Surface mount

[MAIN UNIT]

| REF NO. | ORDER NO. | DESCRIPTION | |
|---------|------------|-------------|--------------|
| W18 | 7030003860 | S.RESISTOR | ERJ3GE JPW V |
| W23 | 7030003860 | S.RESISTOR | ERJ3GE JPW V |
| W24 | 7030003860 | S.RESISTOR | ERJ3GE JPW V |
| W25 | 7030003860 | S.RESISTOR | ERJ3GE JPW V |
| W27 | 7030003860 | S.RESISTOR | ERJ3GE JPW V |
| W30 | 7030003860 | S.RESISTOR | ERJ3GE JPW V |
| W31 | 7030003860 | S.RESISTOR | ERJ3GE JPW V |
| W33 | 7030003860 | S.RESISTOR | ERJ3GE JPW V |
| W34 | 7030003860 | S.RESISTOR | ERJ3GE JPW V |
| EP1 | 0910049858 | PCB | B 4248R |

[PLL UNIT]

| REF NO. | ORDER NO. | DESCRIPTION | |
|---------|------------|-------------|-------------------------|
| L3024 | 6190001550 | COIL | MC138-E544GN-110272 |
| L3026 | 6200003260 | S.COIL | NL 322522T-101J |
| L3028 | 6200003260 | S.COIL | NL 322522T-101J |
| L3035 | 6200003430 | S.COIL | NL 322522T-R10J |
| L3036 | 6200003430 | S.COIL | NL 322522T-R10J |
| L3037 | 6200003120 | S.COIL | NL 322522T-8R2J |
| L3038 | 6200001830 | S.COIL | NL 322522T-100J |
| L3040 | 6200003320 | S.COIL | NL 322522T-3R3J-3 |
| L3041 | 2040000490 | COIL | EXC-ELDR25C |
| L3042 | 2040000490 | COIL | EXC-ELDR25C |
| L3043 | 6200003420 | S.COIL | NL 322522T-R15J-3 |
| L3044 | 6200003430 | S.COIL | NL 322522T-R10J |
| L3045 | 6180000880 | COIL | LAL 03NA 100K |
| L3046 | 6200001830 | S.COIL | NL 322522T-100J |
| L3047 | 6200001830 | S.COIL | NL 322522T-100J |
| R3001 | 7030003580 | S.RESISTOR | ERJ3GEYJ 153 V (15 kΩ) |
| R3002 | 7030003520 | S.RESISTOR | ERJ3GEYJ 472 V (4.7 kΩ) |
| R3003 | 7030003400 | S.RESISTOR | ERJ3GEYJ 471 V (470 Ω) |
| R3005 | 7030003280 | S.RESISTOR | ERJ3GEYJ 470 V (47 Ω) |
| R3006 | 7030003320 | S.RESISTOR | ERJ3GEYJ 101 V (100 Ω) |
| R3007 | 7030003600 | S.RESISTOR | ERJ3GEYJ 223 V (22 kΩ) |
| R3008 | 7030003560 | S.RESISTOR | ERJ3GEYJ 103 V (10 kΩ) |
| R3009 | 7030003360 | S.RESISTOR | ERJ3GEYJ 221 V (220 Ω) |
| R3010 | 7070000820 | RESISTOR | ERG1SJ 220 (22 Ω) |
| R3011 | 7030003320 | S.RESISTOR | ERJ3GEYJ 101 V (100 Ω) |
| R3012 | 7030003440 | S.RESISTOR | ERJ3GEYJ 102 V (1 kΩ) |
| R3014 | 7030003800 | S.RESISTOR | ERJ3GEYJ 105 V (1 MΩ) |
| R3017 | 7030003440 | S.RESISTOR | ERJ3GEYJ 102 V (1 kΩ) |
| R3018 | 7030003430 | S.RESISTOR | ERJ3GEYJ 821 V (820 Ω) |
| R3019 | 7030003340 | S.RESISTOR | ERJ3GEYJ 151 V (150 Ω) |
| R3020 | 7030005400 | S.RESISTOR | RR0816P-202-D (2 kΩ) |
| R3021 | 7030005400 | S.RESISTOR | RR0816P-202-D (2 kΩ) |
| R3022 | 7030005390 | S.RESISTOR | RR0816P-102-D (1 kΩ) |
| R3023 | 7030005400 | S.RESISTOR | RR0816P-202-D (2 kΩ) |
| R3024 | 7030005390 | S.RESISTOR | RR0816P-102-D (1 kΩ) |
| R3025 | 7030005400 | S.RESISTOR | RR0816P-202-D (2 kΩ) |
| R3026 | 7030005390 | S.RESISTOR | RR0816P-102-D (1 kΩ) |
| R3027 | 7030005400 | S.RESISTOR | RR0816P-202-D (2 kΩ) |
| R3028 | 7030005390 | S.RESISTOR | RR0816P-102-D (1 kΩ) |
| R3029 | 7030005400 | S.RESISTOR | RR0816P-202-D (2 kΩ) |
| R3030 | 7030005390 | S.RESISTOR | RR0816P-102-D (1 kΩ) |
| R3031 | 7030005400 | S.RESISTOR | RR0816P-202-D (2 kΩ) |
| R3032 | 7030005390 | S.RESISTOR | RR0816P-102-D (1 kΩ) |
| R3033 | 7030005400 | S.RESISTOR | RR0816P-202-D (2 kΩ) |
| R3034 | 7030005380 | S.RESISTOR | RR0816P-102-B (1 kΩ) |
| R3035 | 7030005370 | S.RESISTOR | RR0816P-202-B (2 kΩ) |
| R3036 | 7030005380 | S.RESISTOR | RR0816P-102-B (1 kΩ) |
| R3037 | 7030005370 | S.RESISTOR | RR0816P-202-B (2 kΩ) |
| R3038 | 7030005380 | S.RESISTOR | RR0816P-102-B (1 kΩ) |
| R3039 | 7030005370 | S.RESISTOR | RR0816P-202-B (2 kΩ) |
| R3040 | 7030005380 | S.RESISTOR | RR0816P-102-B (1 kΩ) |
| R3041 | 7030005370 | S.RESISTOR | RR0816P-202-B (2 kΩ) |
| R3042 | 7030005380 | S.RESISTOR | RR0816P-102-B (1 kΩ) |
| R3043 | 7030005370 | S.RESISTOR | RR0816P-202-B (2 kΩ) |
| R3044 | 7030003380 | S.RESISTOR | ERJ3GEYJ 331 V (330 Ω) |
| R3045 | 7030003800 | S.RESISTOR | ERJ3GEYJ 105 V (1 MΩ) |
| R3046 | 7030003570 | S.RESISTOR | ERJ3GEYJ 123 V (12 kΩ) |
| R3048 | 7030003360 | S.RESISTOR | ERJ3GEYJ 221 V (220 Ω) |
| R3050 | 7030003360 | S.RESISTOR | ERJ3GEYJ 221 V (220 Ω) |
| R3052 | 7030003340 | S.RESISTOR | ERJ3GEYJ 151 V (150 Ω) |
| R3053 | 7030003270 | S.RESISTOR | ERJ3GEYJ 390 V (39 Ω) |
| R3054 | 7030003340 | S.RESISTOR | ERJ3GEYJ 151 V (150 Ω) |
| R3055 | 7030003320 | S.RESISTOR | ERJ3GEYJ 101 V (100 Ω) |
| R3056 | 7030003650 | S.RESISTOR | ERJ3GEYJ 563 V (56 kΩ) |
| R3057 | 7030003360 | S.RESISTOR | ERJ3GEYJ 221 V (220 Ω) |
| R3058 | 7030003250 | S.RESISTOR | ERJ3GEYJ 270 V (27 Ω) |
| R3060 | 7030003320 | S.RESISTOR | ERJ3GEYJ 101 V (100 Ω) |
| R3061 | 7030003680 | S.RESISTOR | ERJ3GEYJ 104 V (100 kΩ) |
| R3062 | 7030003680 | S.RESISTOR | ERJ3GEYJ 104 V (100 kΩ) |
| R3063 | 7030003340 | S.RESISTOR | ERJ3GEYJ 151 V (150 Ω) |
| R3064 | 7030003690 | S.RESISTOR | ERJ3GEYJ 124 V (120 kΩ) |
| R3065 | 7030003320 | S.RESISTOR | ERJ3GEYJ 101 V (100 Ω) |
| R3066 | 7030003400 | S.RESISTOR | ERJ3GEYJ 471 V (470 Ω) |
| R3067 | 7030003400 | S.RESISTOR | ERJ3GEYJ 471 V (470 Ω) |
| R3068 | 7030003320 | S.RESISTOR | ERJ3GEYJ 101 V (100 Ω) |
| R3069 | 7030003480 | S.RESISTOR | ERJ3GEYJ 222 V (2.2 kΩ) |
| R3070 | 7030003400 | S.RESISTOR | ERJ3GEYJ 471 V (470 Ω) |
| R3071 | 7030003320 | S.RESISTOR | ERJ3GEYJ 101 V (100 Ω) |
| R3072 | 7030003640 | S.RESISTOR | ERJ3GEYJ 473 V (47 kΩ) |
| R3074 | 7030003600 | S.RESISTOR | ERJ3GEYJ 223 V (22 kΩ) |

[PLL UNIT]

| REF NO. | ORDER NO. | DESCRIPTION | |
|---------|------------|--------------|----------------------------|
| IC3001 | 1140007880 | S.IC | TC190G08AF-0046-Z/SC-1246A |
| IC3002 | 1140004550 | S.IC | M65343FP/SC1287 |
| IC3003 | 1180001070 | S.IC | TA7805F (TE16L) |
| IC3004 | 1130004830 | S.IC | TC7SU04F (TE85R) |
| IC3005 | 1130007660 | S.IC | LC7153M-TLM |
| IC3006 | 1130004830 | S.IC | TC7SU04F (TE85R) |
| IC3008 | 1130004830 | S.IC | TC7SU04F (TE85R) |
| Q3001 | 1530002600 | S.TRANSISTOR | 2SC4215-O (TE85R) |
| Q3002 | 1530002600 | S.TRANSISTOR | 2SC4215-O (TE85R) |
| Q3003 | 1560000720 | S.FET | 2SK2171-4-TD |
| Q3004 | 1530002600 | S.TRANSISTOR | 2SC4215-O (TE85R) |
| Q3005 | 1560000330 | S.FET | 2SK210-GR (TE85R) |
| Q3006 | 1530002690 | S.TRANSISTOR | 2SC4116-GR (TE85R) |
| Q3007 | 1530002600 | S.TRANSISTOR | 2SC4215-O (TE85R) |
| Q3008 | 1530002600 | S.TRANSISTOR | 2SC4215-O (TE85R) |
| Q3010 | 1530002690 | S.TRANSISTOR | 2SC4116-GR (TE85R) |
| Q3011 | 1530002600 | S.TRANSISTOR | 2SC4215-O (TE85R) |
| Q3021 | 1530002600 | S.TRANSISTOR | 2SC4215-O (TE85R) |
| Q3022 | 1590001330 | S.TRANSISTOR | DTA114EUA T106 |
| Q3024 | 1530002600 | S.TRANSISTOR | 2SC4215-O (TE85R) |
| Q3025 | 1530002690 | S.TRANSISTOR | 2SC4116-GR (TE85R) |
| D3001 | 1750000270 | S.DIODE | 1SS301 (TE85R) |
| D3002 | 1750000270 | S.DIODE | 1SS301 (TE85R) |
| D3003 | 1790000540 | S.VARICAP | MA338 (TX) |
| D3004 | 1720000670 | S.VARICAP | HVU17TRF |
| D3005 | 1750000070 | S.DIODE | 1SS226 (TE85R) |
| D3015 | 1790000490 | S.DIODE | HSM88AS-TR |
| D3016 | 1790000490 | S.DIODE | HSM88AS-TR |
| D3020 | 1720000670 | S.VARICAP | HVU17TRF |
| FI3001 | 2020001140 | S.CERAMIC | SFECA10.7MA5-A-TC |
| X3001 | 6050011400 | XTAL | CR-282. (30.00000 MHz) |
| L3001 | 6200001830 | S.COIL | NL 322522T-100J |
| L3002 | 6170000230 | COIL | LW-25 |
| L3003 | 6150004370 | COIL | LS-472C (C-15045) |
| L3004 | 6150004250 | COIL | LS-471A (C-14922) |
| L3005 | 6150004250 | COIL | LS-471A (C-14922) |
| L3007 | 6200003260 | S.COIL | NL 322522T-101J |
| L3008 | 6180001220 | COIL | LAL 04NA 100K |
| L3009 | 6200003260 | S.COIL | NL 322522T-101J |
| L3010 | 6200003100 | S.COIL | NL 322522T-3R9J-3 |
| L3012 | 6200003260 | S.COIL | NL 322522T-101J |
| L3013 | 6130001850 | COIL | LB-185 |
| L3015 | 6200001830 | S.COIL | NL 322522T-100J |
| L3016 | 6200003260 | S.COIL | NL 322522T-101J |
| L3017 | 6200001830 | S.COIL | NL 322522T-100J |
| L3019 | 6200001830 | S.COIL | NL 322522T-100J |
| L3020 | 6170000180 | COIL | LW-19 |
| L3021 | 6170000230 | COIL | LW-25 |
| L3022 | 6200003260 | S.COIL | NL 322522T-101J |
| L3023 | 6200003260 | S.COIL | NL 322522T-101J |

[GEN]: [GEN-21], [GEN-22], [GEN-23] [EUR]: [EUR-21], [EUR-22]
 [GMDSS]: [GEN-23], [EUR-22] [Others]: [GEN-21], [GEN-22], [EUR-21]

S.=Surface mount

[PLL UNIT]

| REF NO. | ORDER NO. | DESCRIPTION | |
|---------|------------|-------------|-------------------------|
| R3077 | 7030003430 | S.RESISTOR | ERJ3GEYJ 821 V (820 Ω) |
| R3079 | 7030003800 | S.RESISTOR | ERJ3GEYJ 105 V (1 MΩ) |
| R3080 | 7030003650 | S.RESISTOR | ERJ3GEYJ 563 V (56 kΩ) |
| R3081 | 7030003520 | S.RESISTOR | ERJ3GEYJ 472 V (4.7 kΩ) |
| R3082 | 7030003380 | S.RESISTOR | ERJ3GEYJ 331 V (330 Ω) |
| R3083 | 7030003360 | S.RESISTOR | ERJ3GEYJ 221 V (220 Ω) |
| R3084 | 7030003480 | S.RESISTOR | ERJ3GEYJ 222 V (2.2 kΩ) |
| R3085 | 7030003280 | S.RESISTOR | ERJ3GEYJ 470 V (47 Ω) |
| R3086 | 7030003560 | S.RESISTOR | ERJ3GEYJ 103 V (10 kΩ) |
| R3087 | 7030003240 | S.RESISTOR | ERJ3GEYJ 220 V (22 Ω) |
| R3090 | 7030003520 | S.RESISTOR | ERJ3GEYJ 472 V (4.7 kΩ) |
| R3091 | 7030003440 | S.RESISTOR | ERJ3GEYJ 102 V (1 kΩ) |
| R3092 | 7030003320 | S.RESISTOR | ERJ3GEYJ 101 V (100 Ω) |
| R3093 | 7030003630 | S.RESISTOR | ERJ3GEYJ 393 V (39 kΩ) |
| R3095 | 7030003520 | S.RESISTOR | ERJ3GEYJ 472 V (4.7 kΩ) |
| R3097 | 7030003640 | S.RESISTOR | ERJ3GEYJ 473 V (47 kΩ) |
| R3098 | 7030003640 | S.RESISTOR | ERJ3GEYJ 473 V (47 kΩ) |
| R3099 | 7030003320 | S.RESISTOR | ERJ3GEYJ 101 V (100 Ω) |
| R3100 | 7030003350 | S.RESISTOR | ERJ3GEYJ 181 V (180 Ω) |
| R3103 | 7030003280 | S.RESISTOR | ERJ3GEYJ 470 V (47 Ω) |
| R3104 | 7030003400 | S.RESISTOR | ERJ3GEYJ 471 V (470 Ω) |
| R3105 | 7030003430 | S.RESISTOR | ERJ3GEYJ 821 V (820 Ω) |
| R3120 | 7030005400 | S.RESISTOR | RR0816P-202-D (2 kΩ) |
| R3121 | 7030005400 | S.RESISTOR | RR0816P-202-D (2 kΩ) |
| R3122 | 7030005390 | S.RESISTOR | RR0816P-102-D (1 kΩ) |
| R3123 | 7030005400 | S.RESISTOR | RR0816P-202-D (2 kΩ) |
| R3124 | 7030005390 | S.RESISTOR | RR0816P-102-D (1 kΩ) |
| R3125 | 7030005400 | S.RESISTOR | RR0816P-202-D (2 kΩ) |
| R3126 | 7030005390 | S.RESISTOR | RR0816P-102-D (1 kΩ) |
| R3127 | 7030005400 | S.RESISTOR | RR0816P-202-D (2 kΩ) |
| R3128 | 7030005390 | S.RESISTOR | RR0816P-102-D (1 kΩ) |
| R3129 | 7030005400 | S.RESISTOR | RR0816P-202-D (2 kΩ) |
| R3130 | 7030005390 | S.RESISTOR | RR0816P-102-D (1 kΩ) |
| R3131 | 7030005400 | S.RESISTOR | RR0816P-202-D (2 kΩ) |
| R3132 | 7030005390 | S.RESISTOR | RR0816P-102-D (1 kΩ) |
| R3133 | 7030005400 | S.RESISTOR | RR0816P-202-D (2 kΩ) |
| R3134 | 7030005380 | S.RESISTOR | RR0816P-102-B (1 kΩ) |
| R3135 | 7030005370 | S.RESISTOR | RR0816P-202-B (2 kΩ) |
| R3136 | 7030005380 | S.RESISTOR | RR0816P-102-B (1 kΩ) |
| R3137 | 7030005370 | S.RESISTOR | RR0816P-202-B (2 kΩ) |
| R3138 | 7030005380 | S.RESISTOR | RR0816P-102-B (1 kΩ) |
| R3139 | 7030005370 | S.RESISTOR | RR0816P-202-B (2 kΩ) |
| R3140 | 7030003440 | S.RESISTOR | ERJ3GEYJ 102 V (1 kΩ) |
| R3141 | 7030003440 | S.RESISTOR | ERJ3GEYJ 102 V (1 kΩ) |
| R3142 | 7030003440 | S.RESISTOR | ERJ3GEYJ 102 V (1 kΩ) |
| R3143 | 7030003440 | S.RESISTOR | ERJ3GEYJ 102 V (1 kΩ) |
| R3144 | 7030003440 | S.RESISTOR | ERJ3GEYJ 102 V (1 kΩ) |
| R3145 | 7030003440 | S.RESISTOR | ERJ3GEYJ 102 V (1 kΩ) |
| R3146 | 7030003440 | S.RESISTOR | ERJ3GEYJ 102 V (1 kΩ) |
| R3147 | 7030003440 | S.RESISTOR | ERJ3GEYJ 102 V (1 kΩ) |
| R3148 | 7030003440 | S.RESISTOR | ERJ3GEYJ 102 V (1 kΩ) |
| R3168 | 7030003520 | S.RESISTOR | ERJ3GEYJ 472 V (4.7 kΩ) |
| R3173 | 7030003320 | S.RESISTOR | ERJ3GEYJ 101 V (100 Ω) |
| R3174 | 7030003380 | S.RESISTOR | ERJ3GEYJ 331 V (330 Ω) |
| R3176 | 7030003640 | S.RESISTOR | ERJ3GEYJ 473 V (47 kΩ) |
| R3177 | 7030003640 | S.RESISTOR | ERJ3GEYJ 473 V (47 kΩ) |
| R3178 | 7030003640 | S.RESISTOR | ERJ3GEYJ 473 V (47 kΩ) |
| R3179 | 7030003640 | S.RESISTOR | ERJ3GEYJ 473 V (47 kΩ) |
| R3180 | 7030003640 | S.RESISTOR | ERJ3GEYJ 473 V (47 kΩ) |
| R3181 | 7030003640 | S.RESISTOR | ERJ3GEYJ 473 V (47 kΩ) |
| R3183 | 7030003640 | S.RESISTOR | ERJ3GEYJ 473 V (47 kΩ) |
| R3184 | 7030003640 | S.RESISTOR | ERJ3GEYJ 473 V (47 kΩ) |
| R3186 | 7030003360 | S.RESISTOR | ERJ3GEYJ 221 V (220 Ω) |
| R3187 | 7030003640 | S.RESISTOR | ERJ3GEYJ 473 V (47 kΩ) |
| R3188 | 7030003440 | S.RESISTOR | ERJ3GEYJ 102 V (1 kΩ) |
| R3189 | 7030003440 | S.RESISTOR | ERJ3GEYJ 102 V (1 kΩ) |
| R3190 | 7030003440 | S.RESISTOR | ERJ3GEYJ 102 V (1 kΩ) |
| R3191 | 7030003440 | S.RESISTOR | ERJ3GEYJ 102 V (1 kΩ) |
| R3193 | 7030003430 | S.RESISTOR | ERJ3GEYJ 821 V (820 Ω) |
| R3194 | 7030003460 | S.RESISTOR | ERJ3GEYJ 152 V (1.5 kΩ) |
| R3195 | 7030003380 | S.RESISTOR | ERJ3GEYJ 331 V (330 Ω) |
| R3196 | 7030003400 | S.RESISTOR | ERJ3GEYJ 471 V (470 Ω) |
| R3197 | 7030003490 | S.RESISTOR | ERJ3GEYJ 272 V (2.7 kΩ) |
| R3198 | 7030003320 | S.RESISTOR | ERJ3GEYJ 101 V (100 Ω) |
| R3199 | 7030003360 | S.RESISTOR | ERJ3GEYJ 221 V (220 Ω) |
| R3200 | 7030003360 | S.RESISTOR | ERJ3GEYJ 221 V (220 Ω) |
| R3201 | 7030003680 | S.RESISTOR | ERJ3GEYJ 104 V (100 kΩ) |
| R3211 | 7030003440 | S.RESISTOR | ERJ3GEYJ 102 V (1 kΩ) |
| R3220 | 7030004040 | S.RESISTOR | ERJ3GEYJ 4R7 V (4.7 Ω) |
| R3221 | 7030003840 | S.RESISTOR | ERJ3GEYJ 225 V (2.2 MΩ) |
| R3222 | 7030003220 | S.RESISTOR | ERJ3GEYJ 150 V (15 Ω) |
| R3223 | 7310002800 | S.TRIMMER | RV-156 (RH03A3AJ5) 224 |

[PLL UNIT]

| REF NO. | ORDER NO. | DESCRIPTION | |
|---------|------------|----------------|---------------------|
| C3001 | 4030008320 | S.CERAMIC | C1608 UJ 1H 470J-T |
| C3002 | 4030006880 | S.CERAMIC | C1608 JB 1H 472K-T |
| C3003 | 4030018710 | S.CERAMIC | GRM1882S1H820JZ01D |
| C3004 | 4030007630 | S.CERAMIC | C1608 RH 1H 121J-T |
| C3005 | 4030006880 | S.CERAMIC | C1608 JB 1H 472K-T |
| C3006 | 4510005600 | S.ELECTROLYTIC | ECEV1CS100SR |
| C3007 | 4030006860 | S.CERAMIC | C1608 JB 1H 102K-T |
| C3008 | 4030006880 | S.CERAMIC | C1608 JB 1H 472K-T |
| C3009 | 4030007030 | S.CERAMIC | C1608 CH 1H 150J-T |
| C3010 | 4030006910 | S.CERAMIC | C1608 CH 1H 0R5C-T |
| C3011 | 4030007030 | S.CERAMIC | C1608 CH 1H 150J-T |
| C3012 | 4510004630 | S.ELECTROLYTIC | ECEV1CA100SR |
| C3013 | 4030006880 | S.CERAMIC | C1608 JB 1H 472K-T |
| C3014 | 4030006860 | S.CERAMIC | C1608 JB 1H 102K-T |
| C3015 | 4510005600 | S.ELECTROLYTIC | ECEV1CS100SR |
| C3016 | 4030006880 | S.CERAMIC | C1608 JB 1H 472K-T |
| C3017 | 4510004630 | S.ELECTROLYTIC | ECEV1CA100SR |
| C3018 | 4510004640 | S.ELECTROLYTIC | ECEV1CA470SP |
| C3019 | 4030006880 | S.CERAMIC | C1608 JB 1H 472K-T |
| C3020 | 4030006860 | S.CERAMIC | C1608 JB 1H 102K-T |
| C3021 | 4030006880 | S.CERAMIC | C1608 JB 1H 472K-T |
| C3023 | 4510004640 | S.ELECTROLYTIC | ECEV1CA470SP |
| C3024 | 4030006880 | S.CERAMIC | C1608 JB 1H 472K-T |
| C3025 | 4030006880 | S.CERAMIC | C1608 JB 1H 472K-T |
| C3026 | 4030006880 | S.CERAMIC | C1608 JB 1H 472K-T |
| C3027 | 4030006880 | S.CERAMIC | C1608 JB 1H 472K-T |
| C3030 | 4030006880 | S.CERAMIC | C1608 JB 1H 472K-T |
| C3031 | 4030010070 | S.CERAMIC | C1608 X7S 1C 104K-T |
| C3032 | 4030010070 | S.CERAMIC | C1608 X7S 1C 104K-T |
| C3033 | 4030006880 | S.CERAMIC | C1608 JB 1H 472K-T |
| C3034 | 4030006880 | S.CERAMIC | C1608 JB 1H 472K-T |
| C3035 | 4030006880 | S.CERAMIC | C1608 JB 1H 472K-T |
| C3036 | 4030006880 | S.CERAMIC | C1608 JB 1H 472K-T |
| C3037 | 4030006880 | S.CERAMIC | C1608 JB 1H 472K-T |
| C3038 | 4030006880 | S.CERAMIC | C1608 JB 1H 472K-T |
| C3039 | 4030010000 | S.CERAMIC | C1608 CH 1H 510J-T |
| C3040 | 4030006960 | S.CERAMIC | C1608 CH 1H 050C-T |
| C3041 | 4030010000 | S.CERAMIC | C1608 CH 1H 510J-T |
| C3042 | 4030006880 | S.CERAMIC | C1608 JB 1H 472K-T |
| C3043 | 4030006860 | S.CERAMIC | C1608 JB 1H 102K-T |
| C3044 | 4550000730 | S.TANTALUM | TEESVA 0J 225M8L |
| C3045 | 4030007010 | S.CERAMIC | C1608 CH 1H 100D-T |
| C3046 | 4030007080 | S.CERAMIC | C1608 CH 1H 390J-T |
| C3047 | 4030006880 | S.CERAMIC | C1608 JB 1H 472K-T |
| C3048 | 4030018020 | S.CERAMIC | C1608 CH 1H 910J-T |
| C3049 | 4610001820 | S.TRIMMER | TZB4P300AB10R00 |
| C3050 | 4030007150 | S.CERAMIC | C1608 CH 1H 151J-T |
| C3052 | 4030006880 | S.CERAMIC | C1608 JB 1H 472K-T |
| C3053 | 4510005600 | S.ELECTROLYTIC | ECEV1CS100SR |
| C3054 | 4030007150 | S.CERAMIC | C1608 CH 1H 151J-T |
| C3055 | 4030007150 | S.CERAMIC | C1608 CH 1H 151J-T |
| C3056 | 4030007010 | S.CERAMIC | C1608 CH 1H 100D-T |
| C3059 | 4030006880 | S.CERAMIC | C1608 JB 1H 472K-T |
| C3060 | 4030006880 | S.CERAMIC | C1608 JB 1H 472K-T |
| C3061 | 4030006880 | S.CERAMIC | C1608 JB 1H 472K-T |
| C3062 | 4510005600 | S.ELECTROLYTIC | ECEV1CS100SR |
| C3063 | 4030006880 | S.CERAMIC | C1608 JB 1H 472K-T |
| C3064 | 4030006880 | S.CERAMIC | C1608 JB 1H 472K-T |
| C3065 | 4030006880 | S.CERAMIC | C1608 JB 1H 472K-T |
| C3066 | 4030006860 | S.CERAMIC | C1608 JB 1H 102K-T |
| C3067 | 4030006880 | S.CERAMIC | C1608 JB 1H 472K-T |
| C3068 | 4030006880 | S.CERAMIC | C1608 JB 1H 472K-T |
| C3069 | 4030006880 | S.CERAMIC | C1608 JB 1H 472K-T |
| C3070 | 4030006880 | S.CERAMIC | C1608 JB 1H 472K-T |
| C3071 | 4030007130 | S.CERAMIC | C1608 CH 1H 101J-T |
| C3072 | 4030006880 | S.CERAMIC | C1608 JB 1H 472K-T |
| C3073 | 4510005600 | S.ELECTROLYTIC | ECEV1CS100SR |
| C3077 | 4030006880 | S.CERAMIC | C1608 JB 1H 472K-T |
| C3083 | 4030006860 | S.CERAMIC | C1608 JB 1H 102K-T |
| C3084 | 4550006050 | S.TANTALUM | TEESVA 0J 106M8L |
| C3085 | 4550006110 | S.TANTALUM | TEESVB2 0J 336M8L |
| C3086 | 4340000100 | S.MYLAR | ECHU 1C 473J85 |
| C3087 | 4510005600 | S.ELECTROLYTIC | ECEV1CS100SR |
| C3088 | 4030010070 | S.CERAMIC | C1608 X7S 1C 104K-T |
| C3089 | 4030006880 | S.CERAMIC | C1608 JB 1H 472K-T |
| C3090 | 4030006860 | S.CERAMIC | C1608 JB 1H 102K-T |
| C3091 | 4030007140 | S.CERAMIC | C1608 CH 1H 121J-T |
| C3092 | 4030011340 | S.CERAMIC | C1608 CH 1H 471J-T |
| C3093 | 4510004590 | ELECTROLYTIC | 16 MV 470 HC |
| C3094 | 4030006860 | S.CERAMIC | C1608 JB 1H 102K-T |
| C3095 | 4030010070 | S.CERAMIC | C1608 X7S 1C 104K-T |
| C3096 | 4510004590 | ELECTROLYTIC | 16 MV 470 HC |

[GEN]: [GEN-21], [GEN-22], [GEN-23] [EUR]: [EUR-21], [EUR-22]

[GMDSS]: [GEN-23], [EUR-22] [Others]: [GEN-21], [GEN-22], [EUR-21]

S.=Surface mount

[PLL UNIT]

| REF NO. | ORDER NO. | DESCRIPTION | |
|---------|------------|-------------|--------------------|
| C3097 | 4030006880 | S.CERAMIC | C1608 JB 1H 472K-T |
| C3098 | 4030006920 | S.CERAMIC | C1608 CH 1H 010C-T |
| C3099 | 4030006860 | S.CERAMIC | C1608 JB 1H 102K-T |
| C3100 | 4030006880 | S.CERAMIC | C1608 JB 1H 472K-T |
| C3101 | 4030006930 | S.CERAMIC | C1608 CH 1H 020C-T |
| C3102 | 4030006880 | S.CERAMIC | C1608 JB 1H 472K-T |
| C3105 | 4030006860 | S.CERAMIC | C1608 JB 1H 102K-T |
| C3106 | 4030006880 | S.CERAMIC | C1608 JB 1H 472K-T |
| C3109 | 4030006880 | S.CERAMIC | C1608 JB 1H 472K-T |
| C3110 | 4030006880 | S.CERAMIC | C1608 JB 1H 472K-T |
| C3111 | 4030006880 | S.CERAMIC | C1608 JB 1H 472K-T |
| C3124 | 4030007090 | S.CERAMIC | C1608 CH 1H 470J-T |
| C3125 | 4030006860 | S.CERAMIC | C1608 JB 1H 102K-T |
| C3129 | 4030006880 | S.CERAMIC | C1608 JB 1H 472K-T |
| C3130 | 4030007110 | S.CERAMIC | C1608 CH 1H 680J-T |
| C3132 | 4030006960 | S.CERAMIC | C1608 CH 1H 050C-T |
| C3133 | 4030006880 | S.CERAMIC | C1608 JB 1H 472K-T |
| C3135 | 4030007060 | S.CERAMIC | C1608 CH 1H 270J-T |
| C3136 | 4030007020 | S.CERAMIC | C1608 CH 1H 120J-T |
| C3137 | 4030007060 | S.CERAMIC | C1608 CH 1H 270J-T |
| C3138 | 4030006980 | S.CERAMIC | C1608 CH 1H 070D-T |
| C3139 | 4030007040 | S.CERAMIC | C1608 CH 1H 180J-T |
| C3141 | 4030006880 | S.CERAMIC | C1608 JB 1H 472K-T |
| C3142 | 4030006880 | S.CERAMIC | C1608 JB 1H 472K-T |
| C3143 | 4030006880 | S.CERAMIC | C1608 JB 1H 472K-T |
| C3144 | 4030006880 | S.CERAMIC | C1608 JB 1H 472K-T |
| C3145 | 4030006880 | S.CERAMIC | C1608 JB 1H 472K-T |
| C3154 | 4030007040 | S.CERAMIC | C1608 CH 1H 180J-T |
| C3155 | 4030007000 | S.CERAMIC | C1608 CH 1H 090D-T |
| C3156 | 4030007060 | S.CERAMIC | C1608 CH 1H 270J-T |
| C3157 | 4030006960 | S.CERAMIC | C1608 CH 1H 050C-T |
| C3158 | 4030008560 | S.CERAMIC | C1608 CH 1H 300J-T |
| C3161 | 4030006880 | S.CERAMIC | C1608 JB 1H 472K-T |
| C3164 | 4030006880 | S.CERAMIC | C1608 JB 1H 472K-T |
| C3165 | 4030006880 | S.CERAMIC | C1608 JB 1H 472K-T |
| C3170 | 4030007090 | S.CERAMIC | C1608 CH 1H 470J-T |
| C3171 | 4030011280 | S.CERAMIC | C1608 CH 1H 271J-T |
| C3173 | 4030006880 | S.CERAMIC | C1608 JB 1H 472K-T |
| C3174 | 4030006880 | S.CERAMIC | C1608 JB 1H 472K-T |
| C3175 | 4030006880 | S.CERAMIC | C1608 JB 1H 472K-T |
| C3177 | 4030006880 | S.CERAMIC | C1608 JB 1H 472K-T |
| C3178 | 4030006880 | S.CERAMIC | C1608 JB 1H 472K-T |
| C3179 | 4030006880 | S.CERAMIC | C1608 JB 1H 472K-T |
| C3180 | 4030006880 | S.CERAMIC | C1608 JB 1H 472K-T |
| C3181 | 4030006880 | S.CERAMIC | C1608 JB 1H 472K-T |
| C3182 | 4030006860 | S.CERAMIC | C1608 JB 1H 102K-T |
| C3183 | 4030007130 | S.CERAMIC | C1608 CH 1H 101J-T |
| C3201 | 4030007060 | S.CERAMIC | C1608 CH 1H 270J-T |
| C3202 | 4030007010 | S.CERAMIC | C1608 CH 1H 100D-T |
| C3203 | 4030006960 | S.CERAMIC | C1608 CH 1H 050C-T |
| C3204 | 4030006880 | S.CERAMIC | C1608 JB 1H 472K-T |
| C3205 | 4030007090 | S.CERAMIC | C1608 CH 1H 470J-T |
| J3001 | 6510007900 | CONNECTOR | TBP-P01X-A1 (B1) |
| J3002 | 6510007900 | CONNECTOR | TBP-P01X-A1 (B1) |
| J3003 | 6510007900 | CONNECTOR | TBP-P01X-A1 (B1) |
| J3004 | 6510003080 | CONNECTOR | RT01T-1.0B |
| J3005 | 6510003080 | CONNECTOR | RT01T-1.0B |
| J3006 | 6910003140 | CONNECTOR | IMSA-9202B-1-02T |
| J3007 | 6510017660 | CONNECTOR | 52045-1645 |
| P3001 | 6510003240 | CONNECTOR | TMP-P01X-A1 |
| P3002 | 6510003240 | CONNECTOR | TMP-P01X-A1 |
| P3003 | 6510003240 | CONNECTOR | TMP-P01X-A1 |
| P3004 | 6910003120 | CONNECTOR | IMSA-9206H-T |
| W3001 | 9009130165 | WIRE | 62/99/200/C24/C31 |
| W3002 | 9086700300 | WIRE | 08 |
| W3003 | 9009130165 | WIRE | 62/99/200/C24/C31 |
| W3004 | 9086700300 | WIRE | 08 |
| W3005 | 9009130165 | WIRE | 62/99/200/C24/C31 |
| W3006 | 9086700300 | WIRE | 08 |
| W3007 | 7030003860 | S.RESISTOR | ERJ3GE JPW V |
| W3010 | 7030003860 | S.RESISTOR | ERJ3GE JPW V |
| W3011 | 7030003860 | S.RESISTOR | ERJ3GE JPW V |
| EP3001 | 0910044669 | PCB | B 4249I |
| EP3002 | 6910000630 | BEAD | FSOH070RN |

[PA UNIT]

| REF NO. | ORDER NO. | DESCRIPTION | |
|---------|------------|-------------|------------------------------|
| J4601 | 6510000370 | CONNECTOR | MR-DS |
| F4601 | 5220000210 | HOLDER | FH-052S |
| F4602 | 5220000210 | HOLDER | FH-052S |
| F4603 | 5210000090 | FUSE | FGB 30A (FGB0 125V) |
| F4604 | 5210000090 | FUSE | FGB 30A (FGB0 125V) |
| W4603 | 8900005701 | CABLE | OPC-569A |
| W4604 | 8900005770 | CABLE | OPC-564 (N:16 L:220) |
| W4605 | 8900005780 | CABLE | OPC-565 (N:10 L:220) [Other] |
| | | | OPC-627 [EUR] |
| WS1 | 8970022010 | M.OTHER | SX1632 1.5D COAXIAL TUBE (1) |
| EP4603 | 6910000340 | SHEET | P101 KD [EUR] |
| EP4604 | 6910000340 | SHEET | P101 KD [EUR] |
| EP4605 | 6910000340 | SHEET | P101 KD |
| EP4607 | 6910000310 | INSULATOR | B312D [EUR] |
| EP4608 | 6910000310 | INSULATOR | B312D [EUR] |
| EP4609 | 6910000310 | INSULATOR | B312D |
| EP4611 | 8930024970 | SHEET | 1241 SHEET [EUR] |
| EP4612 | 8930024970 | SHEET | 1241 SHEET [EUR] |
| EP4614 | 9017680190 | TUBE | 10 (d) L=25 mm [GEN-23] |

[FILTER BOARD]

| REF NO. | ORDER NO. | DESCRIPTION | |
|---------|------------|-------------|----------------|
| Q4301 | 1590002190 | TRANSISTOR | DTC114ES TP |
| D4301 | 1710000060 | DIODE | 1SS55-T4 |
| D4302 | 1710000060 | DIODE | 1SS55-T4 |
| D4303 | 1710000060 | DIODE | 1SS55-T4 |
| D4304 | 1710000060 | DIODE | 1SS55-T4 |
| D4305 | 1710000060 | DIODE | 1SS55-T4 |
| D4306 | 1710000060 | DIODE | 1SS55-T4 |
| D4307 | 1710000060 | DIODE | 1SS55-T4 |
| D4308 | 1710000060 | DIODE | 1SS55-T4 |
| D4309 | 1710000980 | DIODE | MBD701 |
| D4310 | 1710000980 | DIODE | MBD701 |
| D4311 | 1710000060 | DIODE | 1SS55-T4 |
| L4301 | 6180000900 | COIL | LAL 03NA 101K |
| L4302 | 6140001990 | COIL | LR-226 (T68-2) |
| L4303 | 6140002000 | COIL | LR-227 (T68-2) |
| L4304 | 6180000900 | COIL | LAL 03NA 101K |
| L4305 | 6180000900 | COIL | LAL 03NA 101K |
| L4306 | 6140002900 | COIL | LR-263 <KN> |
| L4307 | 6140002820 | COIL | LR-235 <KN> |
| L4308 | 6140002830 | COIL | LR-236 <KN> |
| L4309 | 6180000900 | COIL | LAL 03NA 101K |
| L4310 | 6180000900 | COIL | LAL 03NA 101K |
| L4311 | 6140002850 | COIL | LR-238 <KN> |
| L4312 | 6140002820 | COIL | LR-235 <KN> |
| L4313 | 6140002820 | COIL | LR-235 <KN> |
| L4314 | 6180000900 | COIL | LAL 03NA 101K |
| L4315 | 6180000900 | COIL | LAL 03NA 101K |
| L4316 | 6140002840 | COIL | LR-237 <KN> |
| L4317 | 6140002900 | COIL | LR-263 <KN> |
| L4318 | 6140002900 | COIL | LR-263 <KN> |
| L4319 | 6180000900 | COIL | LAL 03NA 101K |
| L4320 | 6180000900 | COIL | LAL 03NA 101K |
| L4321 | 6140002860 | COIL | LR-241 <KN> |
| L4322 | 6140002840 | COIL | LR-237 <KN> |
| L4323 | 6140002840 | COIL | LR-237 <KN> |
| L4324 | 6180000900 | COIL | LAL 03NA 101K |
| L4325 | 6180000900 | COIL | LAL 03NA 101K |
| L4327 | 6140002880 | COIL | LR-243 <KN> |
| L4328 | 6140002870 | COIL | LR-242 <KN> |
| L4329 | 6140002870 | COIL | LR-242 <KN> |
| L4330 | 6180000900 | COIL | LAL 03NA 101K |

[GEN]: [GEN-21], [GEN-22], [GEN-23] [EUR]: [EUR-21], [EUR-22]

[GMDSS]: [GEN-23], [EUR-22] [Others]: [GEN-21], [GEN-22], [EUR-21]

S.=Surface mount

[FILTER BOARD]

| REF NO. | ORDER NO. | DESCRIPTION | |
|---------|------------|-------------|-----------------------|
| L4331 | 6180000900 | COIL | LAL 03NA 101K |
| L4332 | 6140003580 | COIL | LR-399 (3.5%) |
| L4333 | 6140002290 | COIL | LR-242L4334 |
| L4334 | 6180000900 | COIL | LAL 03NA 101K |
| L4335 | 6180000900 | COIL | LAL 03NA 101K |
| L4336 | 6140002890 | COIL | LR-262 <KN> |
| L4337 | 6140002890 | COIL | LR-262 <KN> |
| L4338 | 6180000900 | COIL | LAL 03NA 101K |
| L4339 | 6180000900 | COIL | LAL 03NA 101K |
| L4340 | 6180000900 | COIL | LAL 03NA 101K |
| L4341 | 6140002530 | COIL | LR-291 (TR10X5X5 3A6) |
| L4342 | 6140001460 | COIL | LR-170 |
| L4343 | 6180000900 | COIL | LAL 03NA 101K |
| L4344 | 6180000900 | COIL | LAL 03NA 101K |
| L4345 | 6140002830 | COIL | LR-236 <KN> |
| L4346 | 6140003570 | COIL | LR-398 (3.5%) |
| R4301 | 7010004372 | RESISTOR | PSD1/4 22 kΩ |
| R4302 | 7010007240 | RESISTOR | PSD1/4V 100 KΩ |
| R4303 | 7010006980 | RESISTOR | PSD1/4 10 KΩ |
| R4304 | 7010007240 | RESISTOR | PSD1/4V 100 KΩ |
| R4305 | 7010007180 | RESISTOR | PSD1/4V 22 KΩ |
| R4306 | 7010006980 | RESISTOR | PSD1/4 10 KΩ |
| R4307 | 7010004701 | RESISTOR | PSD1/2 68 Ω |
| R4308 | 7010000911 | RESISTOR | R25X T-24J 10 Ω |
| R4309 | 7540000010 | ABSORBER | DSA-301LA |
| R4312 | 7010004272 | RESISTOR | PSD1/4 4.7 kΩ |
| R4313 | 7010007140 | RESISTOR | PSD1/4V 4.7KΩ |
| R4314 | 7010007290 | RESISTOR | PSD1/4V 1 MΩ |
| C4301 | 4020000980 | CYLINDER | UP050 B 104K-NA-CZ |
| C4302 | 4320000651 | DIP MICA | KD20C 102J5A |
| C4303 | 4010006410 | CERAMIC | HM13SJ SL 471J 500V |
| C4304 | 4010006410 | CERAMIC | HM13SJ SL 471J 500V |
| C4305 | 4320000981 | DIP MICA | KD20C 222J5A |
| C4306 | 4010005360 | CERAMIC | HM11SJ SL 301J 500V |
| C4307 | 4010005880 | CERAMIC | HM95SJ SL 271J 500V |
| C4308 | 4320000951 | DIP MICA | KD20C 272J5A |
| C4309 | 4010005850 | CERAMIC | HM95SJ SL 181J 500V |
| C4310 | 4010005480 | CERAMIC | HM60SJ CH 100D 500V |
| C4311 | 4010005930 | CERAMIC | HM11SJ SL 391J 500V |
| C4312 | 4010005930 | CERAMIC | HM11SJ SL 391J 500V |
| C4313 | 4010005370 | CERAMIC | HM11SJ SL 331J 500V |
| C4314 | 4010005930 | CERAMIC | HM11SJ SL 391J 500V |
| C4315 | 4020000980 | CYLINDER | UP050 B 104K-NA-CZ |
| C4316 | 4020000980 | CYLINDER | UP050 B 104K-NA-CZ |
| C4317 | 4010005690 | CERAMIC | HM60SJ SL 300J 500V |
| C4318 | 4010005370 | CERAMIC | HM11SJ SL 331J 500V |
| C4319 | 4010006410 | CERAMIC | HM13SJ SL 471J 500V |
| C4320 | 4010005370 | CERAMIC | HM11SJ SL 331J 500V |
| C4321 | 4010005880 | CERAMIC | HM95SJ SL 271J 500V |
| C4322 | 4010005880 | CERAMIC | HM95SJ SL 271J 500V |
| C4323 | 4010005880 | CERAMIC | HM95SJ SL 271J 500V |
| C4324 | 4010006410 | CERAMIC | HM13SJ SL 471J 500V |
| C4325 | 4010006410 | CERAMIC | HM13SJ SL 471J 500V |
| C4326 | 4010006410 | CERAMIC | HM13SJ SL 471J 500V |
| C4327 | 4010005880 | CERAMIC | HM95SJ SL 271J 500V |
| C4328 | 4010005370 | CERAMIC | HM11SJ SL 331J 500V |
| C4329 | 4010005370 | CERAMIC | HM11SJ SL 331J 500V |
| C4330 | 4010006410 | CERAMIC | HM13SJ SL 471J 500V |
| C4331 | 4010005930 | CERAMIC | HM11SJ SL 391J 500V |
| C4332 | 4010005370 | CERAMIC | HM11SJ SL 331J 500V |
| C4333 | 4010005820 | CERAMIC | HM74SJ SL 121J 500V |
| C4334 | 4010005820 | CERAMIC | HM74SJ SL 121J 500V |
| C4335 | 4010005930 | CERAMIC | HM11SJ SL 391J 500V |
| C4336 | 4010005930 | CERAMIC | HM11SJ SL 391J 500V |
| C4337 | 4010005750 | CERAMIC | HM60SJ SL 820J 500V |
| C4338 | 4020000980 | CYLINDER | UP050 B 104K-NA-CZ |
| C4339 | 4010006900 | CERAMIC | HE80SJ YB 472K 50V |
| C4340 | 4010005870 | CERAMIC | HM95SJ SL 221J 500V |
| C4341 | 4010005370 | CERAMIC | HM11SJ SL 331J 500V |
| C4342 | 4010005370 | CERAMIC | HM11SJ SL 331J 500V |
| C4343 | 4010005930 | CERAMIC | HM11SJ SL 391J 500V |
| C4344 | 4010005830 | CERAMIC | HM74SJ SL 151J 500V |
| C4345 | 4010005370 | CERAMIC | HM11SJ SL 331J 500V |
| C4346 | 4010006410 | CERAMIC | HM13SJ SL 471J 500V |
| C4347 | 4010005780 | CERAMIC | HM60SJ SL 101J 500V |
| C4348 | 4010005360 | CERAMIC | HM11SJ SL 301J 500V |
| C4349 | 4010006900 | CERAMIC | HE80SJ YB 472K 50V |
| C4350 | 4010006900 | CERAMIC | HE80SJ YB 472K 50V |

[FILTER BOARD]

| REF NO. | ORDER NO. | DESCRIPTION | |
|---------|------------|--------------|---------------------|
| C4351 | 4010005850 | CERAMIC | HM95SJ SL 181J 500V |
| C4352 | 4010005370 | CERAMIC | HM11SJ SL 331J 500V |
| C4353 | 4010005820 | CERAMIC | HM74SJ SL 121J 500V |
| C4354 | 4010005880 | CERAMIC | HM95SJ SL 271J 500V |
| C4355 | 4010005360 | CERAMIC | HM11SJ SL 301J 500V |
| C4356 | 4010005740 | CERAMIC | HM60SJ SL 560J 500V |
| C4357 | 4010005560 | CERAMIC | HM60SJ SL 050C 500V |
| C4358 | 4010005360 | CERAMIC | HM11SJ SL 301J 500V |
| C4359 | 4010006900 | CERAMIC | HE80SJ YB 472K 50V |
| C4360 | 4010006900 | CERAMIC | HE80SJ YB 472K 50V |
| C4361 | 4010005930 | CERAMIC | HM11SJ SL 391J 500V |
| C4362 | 4010005820 | CERAMIC | HM74SJ SL 121J 500V |
| C4363 | 4010005930 | CERAMIC | HM11SJ SL 391J 500V |
| C4364 | 4010005770 | CERAMIC | HM60SJ SL 820J 500V |
| C4365 | 4010005870 | CERAMIC | HM95SJ SL 221J 500V |
| C4366 | 4010006900 | CERAMIC | HE80SJ YB 472K 50V |
| C4367 | 4010006900 | CERAMIC | HE80SJ YB 472K 50V |
| C4368 | 4010005880 | CERAMIC | HM95SJ SL 271J 500V |
| C4369 | 4010008600 | CERAMIC | HP74SJ SL 101J 1KV |
| C4370 | 4010005370 | CERAMIC | HM11SJ SL 331J 500V |
| C4371 | 4010005750 | CERAMIC | HM60SJ SL 680J 500V |
| C4372 | 4010005770 | CERAMIC | HM60SJ SL 820J 500V |
| C4373 | 4010006900 | CERAMIC | HE80SJ YB 472K 50V |
| C4374 | 4010006900 | CERAMIC | HE80SJ YB 472K 50V |
| C4377 | 4010005860 | CERAMIC | HM95SJ SL 201J 500V |
| C4378 | 4010008610 | CERAMIC | HP60SJ SL 470J 1KV |
| C4379 | 4010005870 | CERAMIC | HM95SJ SL 221J 500V |
| C4380 | 4010006900 | CERAMIC | HE80SJ YB 472K 50V |
| C4381 | 4010006900 | CERAMIC | HE80SJ YB 472K 50V |
| C4382 | 4010005830 | CERAMIC | HM74SJ SL 151J 500V |
| C4383 | 4010005660 | CERAMIC | HM60SJ SL 220J 500V |
| C4384 | 4010005360 | CERAMIC | HM11SJ SL 301J 500V |
| C4385 | 4010008610 | CERAMIC | HP60SJ SL 470J 1KV |
| C4386 | 4010005830 | CERAMIC | HM74SJ SL 151J 500V |
| C4387 | 4010006900 | CERAMIC | HE80SJ YB 472K 50V |
| C4388 | 4010006850 | CERAMIC | HE40SJ YB 471K 50V |
| C4389 | 4010006850 | CERAMIC | HE40SJ YB 471K 50V |
| C4390 | 4010006380 | CERAMIC | HE90SJ SL 471J 50V |
| C4391 | 4010006380 | CERAMIC | HE90SJ SL 471J 50V |
| C4392 | 4610002240 | TRIMMER | ECR-LA030E52 |
| C4393 | 4010006310 | CERAMIC | HE60SJ SL 181J 50V |
| C4394 | 4010006900 | CERAMIC | HE80SJ YB 472K 50V |
| C4395 | 4010006900 | CERAMIC | HE80SJ YB 472K 50V |
| C4396 | 4010006900 | CERAMIC | HE80SJ YB 472K 50V |
| C4398 | 4010007600 | CERAMIC | HM17SJ YB 103K 500V |
| C4399 | 4010007600 | CERAMIC | HM17SJ YB 103K 500V |
| C4400 | 4010006280 | CERAMIC | HE50SJ SL 101J 50V |
| C4401 | 4010006110 | CERAMIC | HE40SJ SL 180J 50V |
| C4402 | 4010006280 | CERAMIC | HE50SJ SL 101J 50V |
| C4404 | 4010006900 | CERAMIC | HE80SJ YB 472K 50V |
| C4406 | 4020000990 | CYLINDER | UP050 B 473K-NA-CZ |
| C4407 | 4510006160 | ELECTROLYTIC | 25 MV 10 HC |
| C4408 | 4010005730 | CERAMIC | HM60SJ SL 470J 500V |
| C4409 | 4010005480 | CERAMIC | HM60SJ CH 100D 500V |
| C4410 | 4010005820 | CERAMIC | HM74SJ SL 121J 500V |
| C4411 | 4010005480 | CERAMIC | HM60SJ CH 100D 500V |
| C4412 | 4010005770 | CERAMIC | HM60SJ SL 820J 500V |
| C4413 | 4010005740 | CERAMIC | HM60SJ SL 560J 500V |
| C4414 | 4010005480 | CERAMIC | HM60SJ CH 100D 500V |
| C4415 | 4010005780 | CERAMIC | HM60SJ SL 101J 500V |
| C4416 | 4010006900 | CERAMIC | HE80SJ YB 472K 50V |
| C4417 | 4010005780 | CERAMIC | HM60SJ SL 101J 500V |
| C4420 | 4010005770 | CERAMIC | HM60SJ SL 820J 500V |
| C4421 | 4010005660 | CERAMIC | HM60SJ SL 220J 500V |
| C4422 | 4510005480 | ELECTROLYTIC | 50 MV 1 HC |
| C4423 | 4510005480 | ELECTROLYTIC | 50 MV 1 HC |
| C4424 | 4510005480 | ELECTROLYTIC | 50 MV 1 HC |
| C4425 | 4510005480 | ELECTROLYTIC | 50 MV 1 HC |
| C4426 | 4510005480 | ELECTROLYTIC | 50 MV 1 HC |
| C4427 | 4510005480 | ELECTROLYTIC | 50 MV 1 HC |
| C4428 | 4510005480 | ELECTROLYTIC | 50 MV 1 HC |
| C4429 | 4010005640 | CERAMIC | HM60SJ SL 180J 500V |
| C4430 | 4010006900 | CERAMIC | HE80SJ YB 472K 50V |
| C4431 | 4010005480 | CERAMIC | HM60SJ CH 100D 500V |
| RL4301 | 330001570 | RELAY | AJS1315 |
| RL4302 | 6330001570 | RELAY | AJS1315 |
| RL4303 | 6330001570 | RELAY | AJS1315 |
| RL4304 | 6330001570 | RELAY | AJS1315 |
| RL4305 | 6330001570 | RELAY | AJS1315 |
| RL4306 | 6330001570 | RELAY | AJS1315 |

[GEN]: [GEN-21], [GEN-22], [GEN-23] [EUR]: [EUR-21], [EUR-22]
 [GMDSS]: [GEN-23], [EUR-22] [Others]: [GEN-21], [GEN-22], [EUR-21]

S.=Surface mount

[FILTER BOARD]

| REF NO. | ORDER NO. | DESCRIPTION | |
|---------|------------|-------------|-----------------------------|
| RL4307 | 6330001570 | RELAY | AJS1315 |
| RL4308 | 6330001570 | RELAY | AJS1315 |
| RL4309 | 6330001570 | RELAY | AJS1315 |
| RL4310 | 6330001570 | RELAY | AJS1315 |
| RL4311 | 6330001570 | RELAY | AJS1315 |
| RL4312 | 6330001570 | RELAY | AJS1315 |
| RL4313 | 6330001570 | RELAY | AJS1315 |
| RL4314 | 6330001570 | RELAY | AJS1315 |
| RL4315 | 6330001570 | RELAY | AJS1315 |
| RL4316 | 6330001570 | RELAY | AJS1315 |
| RL4317 | 6330000780 | RELAY | AGP 2013 (DSP1-DC12V) |
| J4303 | 6510018571 | CONNECTOR | 16FE-BT-VK-N |
| J4304 | 6510007020 | CONNECTOR | TMP-J01X-V6 |
| W4302 | 9019601025 | JUMPER | 74/98/025/X98/X98 |
| W4303 | 9019601025 | JUMPER | 74/98/025/X98/X98 |
| W4304 | 9019601025 | JUMPER | 74/98/025/X98/X98 |
| W4305 | 9019601025 | JUMPER | 74/98/025/X98/X98 |
| W4306 | 9019601025 | JUMPER | 74/98/025/X98/X98 |
| W4307 | 9019601025 | JUMPER | 74/98/025/X98/X98 |
| W4308 | 9019601025 | JUMPER | 74/98/025/X98/X98 |
| W4309 | 9019601025 | JUMPER | 74/98/025/X98/X98 |
| W4310 | 9019601025 | JUMPER | 74/98/025/X98/X98 |
| W4312 | 6910001030 | JUMPER | IPS-1041-4 |
| W4313 | 6910001030 | JUMPER | IPS-1041-4 |
| W4314 | 6910001030 | JUMPER | IPS-1041-4 |
| W4315 | 9008503020 | JUMPER | 74/98/030/X98/X98 |
| W4316 | 9019601025 | JUMPER | 74/98/025/X98/X98 |
| W4317 | 9008503020 | JUMPER | 74/98/030/X98/X98 |
| W4319 | 7120000010 | JUMPER | JPW 02A |
| W4320 | 6910001030 | JUMPER | IPS-1041-4 |
| W4321 | 6910001030 | JUMPER | IPS-1041-4 |
| W4328 | 9019601025 | JUMPER | 74/98/025/X98/X98 |
| W4329 | 7120000380 | JUMPER | JPW 01 R-01 |
| W4330 | 7120000010 | JUMPER | JPW 02A |
| WS1 | 8970022020 | M.OTHER | SX1632 1.5D COAXAL TUBE (2) |
| EP4301 | 0910045057 | PCB | B 4251G |

[PA150W BOARD]

| REF NO. | ORDER NO. | DESCRIPTION | |
|---------|------------|--------------|------------------------|
| IC4001 | 1110002030 | IC | TA7808S |
| IC4002 | 1110000960 | S.IC | NJM4558M-TE1 |
| IC4003 | 1170000290 | S.IC | PS2701-1-F3 |
| IC4004 | 1170000290 | S.IC | PS2701-1-F3 |
| Q4001 | 1530000190 | TRANSISTOR | 2SC3133 |
| Q4002 | 1530000190 | TRANSISTOR | 2SC3133 |
| Q4003 | 1530000200 | TRANSISTOR | 2SC2904 |
| Q4004 | 1530000200 | TRANSISTOR | 2SC2904 |
| Q4005 | 1510001040 | S.TRANSISTOR | 2SA1037AKT146S |
| Q4006 | 1540000500 | TRANSISTOR | 2SD1585K |
| Q4007 | 1530001970 | S.TRANSISTOR | 2SC1623-T2B-L6 |
| Q4008 | 1530000790 | TRANSISTOR | 2SC1971 |
| D4001 | 790000710 | VARISTOR | MA29B |
| D4002 | 1790000710 | VARISTOR | MA29B |
| D4003 | 1790000710 | VARISTOR | MA29B |
| D4004 | 1710000830 | S.DIODE | DF30SC4M-4072 [Others] |
| L4001 | 6140002350 | COIL | LR-274 (RIB4X7X5 3A6) |
| L4003 | 6140003610 | COIL | LR-402 |
| L4004 | 6140002980 | COIL | LR-143 <KN> |
| L4005 | 2040000490 | COIL | EXC-ELDR25C |
| L4006 | 6140002220 | COIL | LR-270 (TR6X3X2 3A9) |
| L4007 | 2040000490 | COIL | EXC-ELDR25C |
| L4009 | 6140000610 | COIL | LR-83 |
| L4010 | 6140002990 | COIL | LR-148 <KN> [Others] |
| | 6140003390 | COIL | LR-381 <KN> [GMDSS] |
| L4011 | 2040000490 | COIL | EXC-ELDR25C |
| L4012 | 6170000140 | COIL | LW-15 |
| L4013 | 6140003610 | COIL | LR-402 |
| L4014 | 6200003260 | S.COIL | NL 322522T-101J |
| L4016 | 6180001220 | COIL | LAL 04NA 100K |
| L4018 | 2040000490 | COIL | EXC-ELDR25C |
| L4020 | 6200003260 | S.COIL | NL 322522T-101J |
| L4021 | 6200003260 | S.COIL | NL 322522T-101J |
| L4022 | 6200003260 | S.COIL | NL 322522T-101J |
| L4023 | 6180001220 | COIL | LAL 04NA 100K |
| R4004 | 7010000211 | RESISTOR | PSN1/4V 47 Ω |
| R4005 | 7010000211 | RESISTOR | PSN1/4V 47 Ω |
| R4006 | 7030006490 | S.RESISTOR | MCR100JZHJ 68 Ω (680) |
| R4007 | 7030006490 | S.RESISTOR | MCR100JZHJ 68 Ω (680) |
| R4008 | 7070000321 | RESISTOR | ERX1SJ 3R3 (3.3 Ω) |
| R4009 | 7070000321 | RESISTOR | ERX1SJ 3R3 (3.3 Ω) |
| R4010 | 7070000321 | RESISTOR | ERX1SJ 3R3 (3.3 Ω) |
| R4011 | 7070000321 | RESISTOR | ERX1SJ 3R3 (3.3 Ω) |
| R4012 | 7070000321 | RESISTOR | ERX1SJ 3R3 (3.3 Ω) |
| R4013 | 7070000321 | RESISTOR | ERX1SJ 3R3 (3.3 Ω) |
| R4014 | 7010004651 | RESISTOR | PSD1/2 10 Ω |
| R4015 | 7010004651 | RESISTOR | PSD1/2 10 Ω |
| R4016 | 7070000281 | RESISTOR | ERX1SJ 2R2 (2.2 Ω) |
| R4017 | 7070000281 | RESISTOR | ERX1SJ 2R2 (2.2 Ω) |
| R4018 | 7030000460 | S.RESISTOR | MCR10EZHZ 4.7 kΩ |
| R4019 | 7030000460 | S.RESISTOR | MCR10EZHZ 4.7 kΩ |
| R4020 | 7010004741 | RESISTOR | PSD1/2 150 Ω |
| R4022 | 7310004950 | TRIMMER | KVSF687AC 101 100 Ω |
| R4023 | 7070000311 | RESISTOR | ERG1SJ 100 (10 Ω) |
| R4024 | 7030000290 | S.RESISTOR | MCR10EZHZ 180 Ω (181) |
| R4025 | 7310004940 | TRIMMER | KVSF637AC 471 470 Ω |
| R4026 | 7100000640 | RESISTOR | 5 SI 0.012 Ω(J) |
| R4027 | 7030000600 | S.RESISTOR | MCR10EZHZ 68 kΩ |
| R4028 | 7030000600 | S.RESISTOR | MCR10EZHZ 68 kΩ |
| R4029 | 7030000560 | S.RESISTOR | MCR10EZHZ 33 kΩ |
| R4030 | 7030000560 | S.RESISTOR | MCR10EZHZ 33 kΩ |
| R4031 | 7310004970 | TRIMMER | KVSF637AC 472 4.7 kΩ |
| R4032 | 7030000740 | S.RESISTOR | MCR10EZHZ 1 MΩ |
| R4033 | 7030000500 | S.RESISTOR | MCR10EZHZ 10 kΩ |
| R4034 | 7010000301 | RESISTOR | PSN1/4V 270 Ω |
| R4035 | 7070000251 | RESISTOR | ERX2SJ 4R7 (4.7 Ω) |
| R4036 | 7010000331 | RESISTOR | PSN1/4V 470 Ω |
| R4039 | 7010000091 | RESISTOR | PSN1/4V 4.7 Ω |
| R4040 | 7030006500 | S.RESISTOR | MCR100JZHJ 100 Ω (101) |
| R4044 | 7010000331 | RESISTOR | PSN1/4V 470 Ω |
| R4045 | 7030000140 | S.RESISTOR | MCR10EZHZ 10 Ω (100) |
| R4046 | 7030000290 | S.RESISTOR | MCR10EZHZ 180 Ω (181) |
| R4047 | 7010000051 | RESISTOR | PSN1/4V 2.2 Ω |
| R4048 | 7010000061 | RESISTOR | PSN1/4V 2.7 Ω |

[GEN]: [GEN-21], [GEN-22], [GEN-23] [EUR]: [EUR-21], [EUR-22]

[GMDSS]: [GEN-23], [EUR-22] [Others]: [GEN-21], [GEN-22], [EUR-21]

S.=Surface mount

[PA150W BOARD]

| REF NO. | ORDER NO. | DESCRIPTION | |
|---------|------------|--------------|-----------------------|
| R4049 | 7010000281 | RESISTOR | PSN1/4V 180 Ω |
| R4050 | 7010000411 | RESISTOR | PSN1/4V 2.2 kΩ |
| R4051 | 7030000340 | S.RESISTOR | MCR10EZHZ 470 Ω (471) |
| R4052 | 7030000150 | S.RESISTOR | MCR10EZHZ 12 Ω (120) |
| R4053 | 7030000340 | S.RESISTOR | MCR10EZHZ 470 Ω (471) |
| C4003 | 4010005360 | CERAMIC | HM11SJ SL 301J 500V |
| C4004 | 4010005360 | CERAMIC | HM11SJ SL 301J 500V |
| C4006 | 4310000360 | MYLAR | 50 F2D 103J |
| C4007 | 4310000360 | MYLAR | 50 F2D 103J |
| C4008 | 4030005050 | S.CERAMIC | C2012 CH 1H 331J-T |
| C4010 | 4030011760 | S.CERAMIC | GRM55R1X2D682JV01L |
| C4011 | 4030011760 | S.CERAMIC | GRM55R1X2D682JV01L |
| C4012 | 4010006410 | CERAMIC | HM13SJ SL 471J 500V |
| C4013 | 4030018370 | S.CERAMIC | ERF22X 6C1H 102J D01L |
| C4014 | 4030018370 | S.CERAMIC | ERF22X 6C1H 102J D01L |
| C4015 | 4030011760 | S.CERAMIC | GRM55R1X2D682JV01L |
| C4016 | 4030011760 | S.CERAMIC | GRM55R1X2D682JV01L |
| C4018 | 4030004740 | S.CERAMIC | C2012 JB 1H 472K-T |
| C4019 | 4030004740 | S.CERAMIC | C2012 JB 1H 472K-T |
| C4020 | 4510005120 | ELECTROLYTIC | 16 MV 47 HC |
| C4021 | 4510004990 | ELECTROLYTIC | 16 MV 100 HC |
| C4022 | 4030005110 | S.CERAMIC | C2012 JB 1E 473K-T |
| C4023 | 4510004510 | ELECTROLYTIC | 25 MV 470 HC |
| C4024 | 4030005110 | S.CERAMIC | C2012 JB 1E 473K-T |
| C4026 | 4510006160 | ELECTROLYTIC | 25 MV 10 HC |
| C4027 | 4030004740 | S.CERAMIC | C2012 JB 1H 472K-T |
| C4028 | 4510004600 | ELECTROLYTIC | 16 MV 1000 HC |
| C4029 | 4030005110 | S.CERAMIC | C2012 JB 1E 473K-T |
| C4030 | 4030005110 | S.CERAMIC | C2012 JB 1E 473K-T |
| C4031 | 4030005110 | S.CERAMIC | C2012 JB 1E 473K-T |
| C4032 | 4030004990 | S.CERAMIC | C2012 CH 1H 101J-T |
| C4033 | 4030011790 | S.CERAMIC | GRM55RF52A684ZD01L |
| C4034 | 4030004740 | S.CERAMIC | C2012 JB 1H 472K-T |
| C4035 | 4510005040 | ELECTROLYTIC | 25 MV 1000 HC |
| C4036 | 4030004740 | S.CERAMIC | C2012 JB 1H 472K-T |
| C4038 | 4030004740 | S.CERAMIC | C2012 JB 1H 472K-T |
| C4041 | 4030008960 | S.CERAMIC | C2012 JB 1C 104K-T |
| C4042 | 4030008960 | S.CERAMIC | C2012 JB 1C 104K-T |
| C4043 | 4030008960 | S.CERAMIC | C2012 JB 1C 104K-T |
| C4044 | 4030008960 | S.CERAMIC | C2012 JB 1C 104K-T |
| C4045 | 4320000961 | DIP MICA | KD20C 472J5A |
| C4046 | 4030004740 | S.CERAMIC | C2012 JB 1H 472K-T |
| C4047 | 4030004740 | S.CERAMIC | C2012 JB 1H 472K-T |
| C4048 | 4030004740 | S.CERAMIC | C2012 JB 1H 472K-T |
| C4050 | 4510005040 | ELECTROLYTIC | 25 MV 1000 HC |
| C4051 | 4510004590 | ELECTROLYTIC | 16 MV 470 HC |
| C4052 | 4510006160 | ELECTROLYTIC | 25 MV 10 HC |
| C4053 | 4030004740 | S.CERAMIC | C2012 JB 1H 472K-T |
| C4054 | 4030004740 | S.CERAMIC | C2012 JB 1H 472K-T |
| C4055 | 4030018370 | S.CERAMIC | ERF22X 6C1H 102J D01L |
| C4056 | 4030004740 | S.CERAMIC | C2012 JB 1H 472K-T |
| C4057 | 4320000811 | DIP MICA | KD20C 681J5A |
| C4059 | 4030004740 | S.CERAMIC | C2012 JB 1H 472K-T |
| C4063 | 4510004590 | ELECTROLYTIC | 16 MV 470 HC |
| C4064 | 4030005030 | S.CERAMIC | C2012 CH 1H 221J-T |
| C4065 | 4020000990 | CYLINDER | UP050 B 473K-NA-CZ |
| C4066 | 4020000990 | CYLINDER | UP050 B 473K-NA-CZ |
| C4067 | 4010008570 | CERAMIC | RPER11H473K2K1A01 |
| C4068 | 4030004740 | S.CERAMIC | C2012 JB 1H 472K-T |
| C4069 | 4030005110 | S.CERAMIC | C2012 JB 1E 473K-T |
| C4070 | 4030004720 | S.CERAMIC | C2012 JB 1H 102K-T |
| C4071 | 4030004930 | S.CERAMIC | C2012 CH 1H 330J-T |
| C4072 | 4030008960 | S.CERAMIC | C2012 JB 1C 104K-T |
| C4073 | 4030008960 | S.CERAMIC | C2012 JB 1C 104K-T |
| C4074 | 4030008960 | S.CERAMIC | C2012 JB 1C 104K-T |
| C4075 | 4030008960 | S.CERAMIC | C2012 JB 1C 104K-T |
| C4076 | 4030008960 | S.CERAMIC | C2012 JB 1C 104K-T |
| C4077 | 4030004720 | S.CERAMIC | C2012 JB 1H 102K-T |
| C4078 | 4030008960 | S.CERAMIC | C2012 JB 1C 104K-T |
| C4079 | 4030004990 | S.CERAMIC | C2012 CH 1H 101J-T |
| C4080 | 4040000260 | BARRIERLAYR | UZE 08X 104M [EUR] |
| C4081 | 4040000260 | BARRIERLAYR | UZE 08X 104M [EUR] |
| J4002 | 6510007020 | CONNECTOR | TMP-J01X-V6 |
| J4003 | 6510018381 | CONNECTOR | 10FE-BT-VK-N |
| J4004 | 6510003080 | CONNECTOR | RT01T-1.0B |
| J4005 | 6510003080 | CONNECTOR | RT01T-1.0B |

[PA150W BOARD]

| REF NO. | ORDER NO. | DESCRIPTION | |
|---------|------------|-------------|------------------------------|
| S4001 | 6910006900 | THERMAL | OHD-3 110M |
| S4002 | 6910000050 | THERMAL | OHD-3 50M |
| W4001 | 7120000010 | JUMPER | JPW-02A [Others] |
| | 9040300020 | WIRE | 15/08/065/W07/W07 [GMDSS] |
| W4002 | 7120000010 | JUMPER | JPW-02A [Others] |
| | 9040300010 | WIRE | 15/08/065/W07/W07 [GMDSS] |
| W4003 | 7120000010 | JUMPER | JPW-02A [Others] |
| | 9040300020 | WIRE | 15/08/065/W07/W07 [GMDSS] |
| W4004 | 7120000010 | JUMPER | JPW-02A [Others] |
| | 9040300020 | WIRE | 15/08/065/W07/W07 [GMDSS] |
| W4008 | 9045201001 | WIRE | 74/98/040/X98/X98 |
| W4009 | 9045201001 | WIRE | 74/98/040/X98/X98 |
| W4010 | 9040401001 | JUMPER | 74/98/050/X98/X98 |
| W4011 | 9056000180 | WIRE | 74/98/080/X98/X98 |
| WS1 | 8970022030 | M.OTHER | SX1632 J LEAD SET (1) |
| WS2 | 8970022040 | M.OTHER | SX1632 1.5D COAXIAL TUBE (1) |
| EP4001 | 0910045048 | PCB | B 4250H |
| EP4003 | 6910000610 | BEAD | FSRH050100RN000B |
| EP4004 | 6910000610 | BEAD | FSRH050100RN000B |
| EP4006 | 6910000630 | BEAD | FSRH070140RN000B |
| EP4008 | 6510018330 | TERMINAL | F4053A |
| EP4009 | 6510018330 | TERMINAL | F4053A |
| EP4010 | 9001602001 | TUBE | IRRAX 0.7 (d) L=10 mm |
| EP4011 | 9001602001 | TUBE | IRRAX 0.7 (d) L=10 mm |
| EP4012 | 9034701901 | TUBE | IRRAX 0.7 (d) L=20 mm |
| EP4014 | 9029305901 | TUBE | IRRAX 1 (d) L=15 mm |

[TERMINAL BOARD]

| REF NO. | ORDER NO. | DESCRIPTION | |
|---------|------------|--------------|-------------------------|
| D7001 | 1710000830 | S.DIODE | DF30SC4M-4072 [GMDSS] |
| C7001 | 4510005980 | ELECTROLYTIC | 16 MV 4700 HC |
| C7002 | 4010006900 | CERAMIC | HE80SJ YB 472K 50V |
| C7003 | 4010006890 | CERAMIC | HE60SJ YB 222K 50V |
| C7004 | 4010006890 | CERAMIC | HE60SJ YB 222K 50V |
| C7005 | 4010006900 | CERAMIC | HE80SJ YB 472K 50V |
| C7006 | 4010006900 | CERAMIC | HE80SJ YB 472K 50V |
| C7008 | 4030001370 | S.CERAMIC | GR44 CH 682K [GMDSS] |
| C7009 | 4030001370 | S.CERAMIC | GR44 CH 682K [GMDSS] |
| C7010 | 4030001370 | S.CERAMIC | GR44 CH 682K [GMDSS] |
| J7001 | 6510010020 | CONNECTOR | RTB-1.5-2F |
| EP7001 | 0910044565 | PCB | B 4421E |
| EP7003 | 6510018330 | TERMINAL | F4053A |
| EP7004 | 6510018330 | TERMINAL | F4053A |
| EP7010 | 9017680190 | TUBE | 10 (d) L=25 mm [Others] |

[GEN]: [GEN-21], [GEN-22], [GEN-23] [EUR]: [EUR-21], [EUR-22]
 [GMDSS]: [GEN-23], [EUR-22] [Others]: [GEN-21], [GEN-22], [EUR-21]

S.=Surface mount

[REG BOARD]

| REF NO. | ORDER NO. | DESCRIPTION | |
|---------|------------|----------------|-----------------------|
| IC8001 | 1110003070 | S.IC | μPC494GS-E1 |
| IC8002 | 1110001820 | S.IC | μPC1093T-E1 |
| IC8003 | 1170000290 | S.IC | PS2701-1-F3 |
| Q8001 | 1560001180 | S.TRANSISTOR | 2SK2266 |
| Q8003 | 1510000800 | S.TRANSISTOR | 2SA1213-Y (TE12R,C) |
| D8002 | 1790001360 | DIODE | SF10SC6 |
| D8003 | 1790001780 | DIODE | MA700 |
| L8001 | 5920000450 | COIL | FK-080E-1020 |
| L8003 | 5920000450 | COIL | FK-080E-1020 |
| R8001 | 7030000430 | S.RESISTOR | MCR10EZHZ 2.7 kΩ |
| R8002 | 7030000460 | S.RESISTOR | MCR10EZHZ 4.7 kΩ |
| R8003 | 7030000490 | S.RESISTOR | MCR10EZHZ 8.2 kΩ |
| R8004 | 7030000390 | S.RESISTOR | MCR10EZHZ 1.2 kΩ |
| R8005 | 7030000460 | S.RESISTOR | MCR10EZHZ 4.7 kΩ |
| R8006 | 7030000460 | S.RESISTOR | MCR10EZHZ 4.7 kΩ |
| R8007 | 7030000480 | S.RESISTOR | MCR10EZHZ 6.8 kΩ |
| R8008 | 7030000440 | S.RESISTOR | MCR10EZHZ 3.3 kΩ |
| R8009 | 7030001090 | S.RESISTOR | MCR50JZHJ 47 Ω (470) |
| R8010 | 7030001210 | S.RESISTOR | MCR50JZHJ 470 Ω (471) |
| R8011 | 7030000460 | S.RESISTOR | MCR10EZHZ 4.7 kΩ |
| R8012 | 7030000260 | S.RESISTOR | MCR10EZHZ 100 Ω (101) |
| R8013 | 7310005010 | S.RESISTOR | KVSF637AC 102 |
| R8014 | 7030000450 | S.RESISTOR | MCR10EZHZ 3.9 kΩ |
| R8015 | 7030000380 | S.RESISTOR | MCR10EZHZ 1 kΩ |
| R8016 | 7030000200 | S.RESISTOR | MCR10EZHZ 33 Ω (330) |
| R8019 | 7030000340 | S.RESISTOR | MCR10EZHZ 470 Ω (471) |
| R8020 | 7030000380 | S.RESISTOR | MCR10EZHZ 1 kΩ |
| C8001 | 4510004590 | ELECTROLYTIC | 16 MV 470 HC |
| C8002 | 4030005110 | S.CERAMIC | C2012 JB 1E 473K-T |
| C8003 | 4560000050 | CERAMIC | D67X5T 1E 684M51 |
| C8004 | 4510007250 | ELECTROLYTIC | 25 MV 1000 AX |
| C8005 | 4510007250 | ELECTROLYTIC | 25 MV 1000 AX |
| C8006 | 4510006160 | ELECTROLYTIC | 25 MV 10 HC |
| C8007 | 4310000360 | MYLAR | 50 F2D 103J |
| C8008 | 4030004740 | S.CERAMIC | C2012 JB 1H 472K-T |
| C8009 | 4510007250 | ELECTROLYTIC | 25 MV 1000 AX |
| C8010 | 4510007250 | ELECTROLYTIC | 25 MV 1000 AX |
| C8011 | 4560000050 | CERAMIC | D67X5T 1E 684M51 |
| C8012 | 4030004730 | S.CERAMIC | C2012 JB 1H 222K-T |
| C8013 | 4510006020 | ELECTROLYTIC | 16 MV 2200 HC |
| C8014 | 4560000050 | CERAMIC | D67X5T 1E 684M51 |
| C8015 | 4560000050 | CERAMIC | D67X5T 1E 684M51 |
| T8001 | 5920000440 | TRANSFORMER | TO-25 |
| EP8001 | 0910045073 | B4420C SX-1632 | |

[MIC BOARD]

| REF NO. | ORDER NO. | DESCRIPTION | |
|---------|------------|-------------|--------------|
| J2301 | 6510021050 | CONNECTOR | A28 SOCKET |
| J2302 | 6510018381 | CONNECTOR | 10FE-BT-VK-N |
| EP2301 | 0910044821 | PCB | B 4503A |

[VR1 BOARD]

| REF NO. | ORDER NO. | DESCRIPTION | |
|---------|------------|-------------|------------------------|
| R2401 | 7210002540 | VARIABLE | TP96N937-15F-10KB-1540 |
| J2401 | 6510018391 | CONNECTOR | 06FE-BT-VK-N |
| EP2401 | 0910044832 | PCB | B 4367B |

[VR2 BOARD]

| REF NO. | ORDER NO. | DESCRIPTION | |
|---------|------------|-------------|------------------------|
| R2401 | 7210002730 | VARIABLE | TP96N944-15F-10KB-1632 |
| J2501 | 6510018391 | CONNECTOR | 06FE-BT-VK-N |
| EP2501 | 0910044842 | PCB | B 4508B |

[PLL-A UNIT] ([GMDSS] only)

| PLL NO. | REF NO. | ORDER | DESCRIPTION |
|---------|------------|--------------|----------------------------|
| IC3001 | 1140007880 | S.IC | TC190G08AF-0046-Z/SC-1246A |
| IC3002 | 1140004550 | S.IC | M65343FP/SC1287 |
| IC3003 | 1180001070 | S.IC | TA7805F (TE16L) |
| IC3004 | 1130004830 | S.IC | TC7SU04F (TE85R) |
| IC3005 | 1130007660 | S.IC | LC7153M-TLM |
| IC3006 | 1130004830 | S.IC | TC7SU04F (TE85R) |
| IC3008 | 1130004830 | S.IC | TC7SU04F (TE85R) |
| IC3009 | 1180000420 | S.IC | TA78L05F (TE12R) |
| IC3010 | 1110000960 | S.IC | NJM4558M-TE1 |
| Q3002 | 1530002600 | S.TRANSISTOR | 2SC4215-O (TE85R) |
| Q3003 | 1560000720 | S.FET | 2SK2171-4-TD |
| Q3004 | 1530002600 | S.TRANSISTOR | 2SC4215-O (TE85R) |
| Q3005 | 1560000330 | S.FET | 2SK210-GR (TE85R) |
| Q3006 | 1530002690 | S.TRANSISTOR | 2SC4116-GR (TE85R) |
| Q3007 | 1530002600 | S.TRANSISTOR | 2SC4215-O (TE85R) |
| Q3008 | 1530002600 | S.TRANSISTOR | 2SC4215-O (TE85R) |
| Q3009 | 1530002690 | S.TRANSISTOR | 2SC4116-GR (TE85R) |
| Q3010 | 1530002690 | S.TRANSISTOR | 2SC4116-GR (TE85R) |
| Q3011 | 1530002600 | S.TRANSISTOR | 2SC4215-O (TE85R) |
| Q3021 | 1530002600 | S.TRANSISTOR | 2SC4215-O (TE85R) |
| Q3022 | 1590001330 | S.TRANSISTOR | DTA114EUA T106 |
| Q3024 | 1530002600 | S.TRANSISTOR | 2SC4215-O (TE85R) |
| Q3025 | 1530002690 | S.TRANSISTOR | 2SC4116-GR (TE85R) |
| Q3026 | 1590000680 | S.TRANSISTOR | DTC114EUA T106 |
| D3001 | 1750000270 | S.DIODE | 1SS301 (TE85R) |
| D3002 | 1750000270 | S.DIODE | 1SS301 (TE85R) |
| D3003 | 1790000540 | S.VARICAP | MA338 (TX) |
| D3004 | 1720000670 | S.VARICAP | HVU17D3005 |
| D3005 | 1750000070 | S.DIODE | 1SS226 (TE85R) |
| D3006 | 1790000620 | S.DIODE | MA77 (TX) |
| D3015 | 1790000490 | S.DIODE | HSM88AS-TR |
| D3016 | 1790000490 | S.DIODE | HSM88AS-TR |
| D3017 | 1750000270 | S.DIODE | 1SS301 (TE85R) |
| D3020 | 1720000670 | S.VARICAP | HVU17 |
| FI3001 | 2020001140 | S.CERAMIC | SFECA10.7MA5-A-TC |
| X3002 | 6050011360 | XTAL | CR-612 POCO 30.00000 MHz |

[GEN]: [GEN-21], [GEN-22], [GEN-23] [EUR]: [EUR-21], [EUR-22]

[GMDSS]: [GEN-23], [EUR-22] [Others]: [GEN-21], [GEN-22], [EUR-21]

S.=Surface mount

[PLL-A UNIT]

| REF NO. | ORDER NO. | DESCRIPTION |
|---------|------------|-----------------------------------|
| L3004 | 6150004250 | COIL LS-471A (C-14922) |
| L3005 | 6150004250 | COIL LS-471A (C-14922) |
| L3007 | 6200003260 | S.COIL NL 322522T-101J |
| L3008 | 6180001220 | COIL LAL 04NA 100K |
| L3009 | 6200003260 | S.COIL NL 322522T-101J |
| L3010 | 6200003100 | S.COIL NL 322522T-3R9J-3 |
| L3011 | 6200003260 | S.COIL NL 322522T-101J |
| L3012 | 6200003260 | S.COIL NL 322522T-101J |
| L3013 | 6130001850 | COIL LB-185 |
| L3015 | 6200001830 | S.COIL NL 322522T-100J |
| L3016 | 6200003260 | S.COIL NL 322522T-101J |
| L3017 | 6200001830 | S.COIL NL 322522T-100J |
| L3019 | 6200001830 | S.COIL NL 322522T-100J |
| L3020 | 6170000180 | COIL LW-19 |
| L3021 | 6170000230 | COIL LW-25 |
| L3022 | 6200003260 | S.COIL NL 322522T-101J |
| L3023 | 6200003260 | S.COIL NL 322522T-101J |
| L3024 | 6190001090 | COIL MC138-E544EN-110164 |
| L3026 | 6200003260 | S.COIL NL 322522T-101J |
| L3028 | 6200003260 | S.COIL NL 322522T-101J |
| L3035 | 6200003430 | S.COIL NL 322522T-R10J |
| L3036 | 6200003430 | S.COIL NL 322522T-R10J |
| L3037 | 6200003120 | S.COIL NL 322522T-8R2J |
| L3038 | 6200001830 | S.COIL NL 322522T-100J |
| L3040 | 6200003320 | S.COIL NL 322522T-3R3J-3 |
| L3041 | 2040000490 | COIL EXC-ELDR25C |
| L3042 | 2040000490 | COIL EXC-ELDR25C |
| L3043 | 6200003420 | S.COIL NL 322522T-R15J-3 |
| L3044 | 6200003430 | S.COIL NL 322522T-R10J |
| L3045 | 6180000880 | COIL LAL 03NA 100K |
| L3046 | 6200001830 | S.COIL NL 322522T-100J |
| L3047 | 6200001830 | S.COIL NL 322522T-100J |
| R3005 | 7030003280 | S.RESISTOR ERJ3GEYJ 470 V (47 Ω) |
| R3006 | 7030003320 | S.RESISTOR ERJ3GEYJ 101 V (100 Ω) |
| R3007 | 7030003600 | S.RESISTOR ERJ3GEYJ 223 V (22 kΩ) |
| R3008 | 7030003560 | S.RESISTOR ERJ3GEYJ 103 V (10 kΩ) |
| R3009 | 7030003360 | S.RESISTOR ERJ3GEYJ 221 V (220 Ω) |
| R3010 | 7070000820 | RESISTOR ERG1SJ 220 (22 Ω) |
| R3011 | 7030003320 | S.RESISTOR ERJ3GEYJ 101 V (100 Ω) |
| R3012 | 7030003440 | S.RESISTOR ERJ3GEYJ 102 V (1 kΩ) |
| R3014 | 7030003800 | S.RESISTOR ERJ3GEYJ 105 V (1 MΩ) |
| R3017 | 7030003440 | S.RESISTOR ERJ3GEYJ 102 V (1 kΩ) |
| R3018 | 7030003430 | S.RESISTOR ERJ3GEYJ 821 V (820 Ω) |
| R3019 | 7030003340 | S.RESISTOR ERJ3GEYJ 151 V (150 Ω) |
| R3020 | 7030005400 | S.RESISTOR RR0816P-202-D (2 kΩ) |
| R3021 | 7030005400 | S.RESISTOR RR0816P-202-D (2 kΩ) |
| R3022 | 7030005390 | S.RESISTOR RR0816P-102-D (1 kΩ) |
| R3023 | 7030005400 | S.RESISTOR RR0816P-202-D (2 kΩ) |
| R3024 | 7030005390 | S.RESISTOR RR0816P-102-D (1 kΩ) |
| R3025 | 7030005400 | S.RESISTOR RR0816P-202-D (2 kΩ) |
| R3026 | 7030005390 | S.RESISTOR RR0816P-102-D (1 kΩ) |
| R3027 | 7030005400 | S.RESISTOR RR0816P-202-D (2 kΩ) |
| R3028 | 7030005390 | S.RESISTOR RR0816P-102-D (1 kΩ) |
| R3029 | 7030005400 | S.RESISTOR RR0816P-202-D (2 kΩ) |
| R3030 | 7030005390 | S.RESISTOR RR0816P-102-D (1 kΩ) |
| R3031 | 7030005400 | S.RESISTOR RR0816P-202-D (2 kΩ) |
| R3032 | 7030005390 | S.RESISTOR RR0816P-102-D (1 kΩ) |
| R3033 | 7030005400 | S.RESISTOR RR0816P-202-D (2 kΩ) |
| R3034 | 7030005380 | S.RESISTOR RR0816P-102-B (1 kΩ) |
| R3035 | 7030005370 | S.RESISTOR RR0816P-202-B (2 kΩ) |
| R3036 | 7030005380 | S.RESISTOR RR0816P-102-B (1 kΩ) |
| R3037 | 7030005370 | S.RESISTOR RR0816P-202-B (2 kΩ) |
| R3038 | 7030005380 | S.RESISTOR RR0816P-102-B (1 kΩ) |
| R3039 | 7030005370 | S.RESISTOR RR0816P-202-B (2 kΩ) |
| R3040 | 7030005380 | S.RESISTOR RR0816P-102-B (1 kΩ) |
| R3041 | 7030005370 | S.RESISTOR RR0816P-202-B (2 kΩ) |
| R3042 | 7030005380 | S.RESISTOR RR0816P-102-B (1 kΩ) |
| R3043 | 7030005370 | S.RESISTOR RR0816P-202-B (2 kΩ) |
| R3044 | 7030003380 | S.RESISTOR ERJ3GEYJ 331 V (330 Ω) |
| R3045 | 7030003800 | S.RESISTOR ERJ3GEYJ 105 V (1 MΩ) |
| R3046 | 7030003570 | S.RESISTOR ERJ3GEYJ 123 V (12 kΩ) |
| R3048 | 7030003360 | S.RESISTOR ERJ3GEYJ 221 V (220 Ω) |
| R3052 | 7030003340 | S.RESISTOR ERJ3GEYJ 151 V (150 Ω) |
| R3053 | 7030003270 | S.RESISTOR ERJ3GEYJ 390 V (39 Ω) |
| R3054 | 7030003340 | S.RESISTOR ERJ3GEYJ 151 V (150 Ω) |
| R3055 | 7030003320 | S.RESISTOR ERJ3GEYJ 101 V (100 Ω) |
| R3056 | 7030003650 | S.RESISTOR ERJ3GEYJ 563 V (56 kΩ) |
| R3057 | 7030003360 | S.RESISTOR ERJ3GEYJ 221 V (220 Ω) |
| R3058 | 7030003250 | S.RESISTOR ERJ3GEYJ 270 V (27 Ω) |
| R3060 | 7030003320 | S.RESISTOR ERJ3GEYJ 101 V (100 Ω) |

[PLL-A UNIT]

| REF NO. | ORDER NO. | DESCRIPTION |
|---------|------------|------------------------------------|
| R3061 | 7030003680 | S.RESISTOR ERJ3GEYJ 104 V (100 kΩ) |
| R3062 | 7030003680 | S.RESISTOR ERJ3GEYJ 104 V (100 kΩ) |
| R3063 | 7030003340 | S.RESISTOR ERJ3GEYJ 151 V (150 Ω) |
| R3064 | 7030003690 | S.RESISTOR ERJ3GEYJ 124 V (120 kΩ) |
| R3065 | 7030003320 | S.RESISTOR ERJ3GEYJ 101 V (100 Ω) |
| R3066 | 7030003400 | S.RESISTOR ERJ3GEYJ 471 V (470 Ω) |
| R3067 | 7030003400 | S.RESISTOR ERJ3GEYJ 471 V (470 Ω) |
| R3068 | 7030003320 | S.RESISTOR ERJ3GEYJ 101 V (100 Ω) |
| R3069 | 7030003480 | S.RESISTOR ERJ3GEYJ 222 V (2.2 kΩ) |
| R3070 | 7030003400 | S.RESISTOR ERJ3GEYJ 471 V (470 Ω) |
| R3071 | 7030003320 | S.RESISTOR ERJ3GEYJ 101 V (100 Ω) |
| R3072 | 7030003640 | S.RESISTOR ERJ3GEYJ 473 V (47 kΩ) |
| R3073 | 7030003500 | S.RESISTOR ERJ3GEYJ 332 V (3.3 kΩ) |
| R3074 | 7030003600 | S.RESISTOR ERJ3GEYJ 223 V (22 kΩ) |
| R3077 | 7030003430 | S.RESISTOR ERJ3GEYJ 821 V (820 Ω) |
| R3079 | 7030003800 | S.RESISTOR ERJ3GEYJ 105 V (1 MΩ) |
| R3080 | 7030003650 | S.RESISTOR ERJ3GEYJ 563 V (56 kΩ) |
| R3081 | 7030003520 | S.RESISTOR ERJ3GEYJ 472 V (4.7 kΩ) |
| R3082 | 7030003380 | S.RESISTOR ERJ3GEYJ 331 V (330 Ω) |
| R3083 | 7030003380 | S.RESISTOR ERJ3GEYJ 331 V (330 Ω) |
| R3084 | 7030003480 | S.RESISTOR ERJ3GEYJ 222 V (2.2 kΩ) |
| R3085 | 7030003320 | S.RESISTOR ERJ3GEYJ 101 V (100 Ω) |
| R3086 | 7030003560 | S.RESISTOR ERJ3GEYJ 103 V (10 kΩ) |
| R3087 | 7030003240 | S.RESISTOR ERJ3GEYJ 220 V (22 Ω) |
| R3090 | 7030003520 | S.RESISTOR ERJ3GEYJ 472 V (4.7 kΩ) |
| R3091 | 7030003440 | S.RESISTOR ERJ3GEYJ 102 V (1 kΩ) |
| R3092 | 7030003320 | S.RESISTOR ERJ3GEYJ 101 V (100 Ω) |
| R3093 | 7030003630 | S.RESISTOR ERJ3GEYJ 393 V (39 kΩ) |
| R3094 | 7030003480 | S.RESISTOR ERJ3GEYJ 222 V (2.2 kΩ) |
| R3095 | 7030003520 | S.RESISTOR ERJ3GEYJ 472 V (4.7 kΩ) |
| R3096 | 7030003480 | S.RESISTOR ERJ3GEYJ 222 V (2.2 kΩ) |
| R3097 | 7030003640 | S.RESISTOR ERJ3GEYJ 473 V (47 kΩ) |
| R3098 | 7030003640 | S.RESISTOR ERJ3GEYJ 473 V (47 kΩ) |
| R3099 | 7030003320 | S.RESISTOR ERJ3GEYJ 101 V (100 Ω) |
| R3100 | 7030003350 | S.RESISTOR ERJ3GEYJ 181 V (180 Ω) |
| R3104 | 7030003400 | S.RESISTOR ERJ3GEYJ 471 V (470 Ω) |
| R3105 | 7030003430 | S.RESISTOR ERJ3GEYJ 821 V (820 Ω) |
| R3120 | 7030005400 | S.RESISTOR RR0816P-202-D (2 kΩ) |
| R3121 | 7030005400 | S.RESISTOR RR0816P-202-D (2 kΩ) |
| R3122 | 7030005390 | S.RESISTOR RR0816P-102-D (1 kΩ) |
| R3123 | 7030005400 | S.RESISTOR RR0816P-202-D (2 kΩ) |
| R3124 | 7030005390 | S.RESISTOR RR0816P-102-D (1 kΩ) |
| R3125 | 7030005400 | S.RESISTOR RR0816P-202-D (2 kΩ) |
| R3126 | 7030005390 | S.RESISTOR RR0816P-102-D (1 kΩ) |
| R3127 | 7030005400 | S.RESISTOR RR0816P-202-D (2 kΩ) |
| R3128 | 7030005390 | S.RESISTOR RR0816P-102-D (1 kΩ) |
| R3129 | 7030005400 | S.RESISTOR RR0816P-202-D (2 kΩ) |
| R3130 | 7030005390 | S.RESISTOR RR0816P-102-D (1 kΩ) |
| R3131 | 7030005400 | S.RESISTOR RR0816P-202-D (2 kΩ) |
| R3132 | 7030005390 | S.RESISTOR RR0816P-102-D (1 kΩ) |
| R3133 | 7030005400 | S.RESISTOR RR0816P-202-D (2 kΩ) |
| R3134 | 7030005380 | S.RESISTOR RR0816P-102-B (1 kΩ) |
| R3135 | 7030005370 | S.RESISTOR RR0816P-202-B (2 kΩ) |
| R3136 | 7030005380 | S.RESISTOR RR0816P-102-B (1 kΩ) |
| R3137 | 7030005370 | S.RESISTOR RR0816P-202-B (2 kΩ) |
| R3138 | 7030005380 | S.RESISTOR RR0816P-102-B (1 kΩ) |
| R3139 | 7030005370 | S.RESISTOR RR0816P-202-B (2 kΩ) |
| R3140 | 7030003440 | S.RESISTOR ERJ3GEYJ 102 V (1 kΩ) |
| R3141 | 7030003440 | S.RESISTOR ERJ3GEYJ 102 V (1 kΩ) |
| R3142 | 7030003440 | S.RESISTOR ERJ3GEYJ 102 V (1 kΩ) |
| R3143 | 7030003440 | S.RESISTOR ERJ3GEYJ 102 V (1 kΩ) |
| R3144 | 7030003440 | S.RESISTOR ERJ3GEYJ 102 V (1 kΩ) |
| R3145 | 7030003440 | S.RESISTOR ERJ3GEYJ 102 V (1 kΩ) |
| R3146 | 7030003440 | S.RESISTOR ERJ3GEYJ 102 V (1 kΩ) |
| R3147 | 7030003440 | S.RESISTOR ERJ3GEYJ 102 V (1 kΩ) |
| R3148 | 7030003440 | S.RESISTOR ERJ3GEYJ 102 V (1 kΩ) |
| R3168 | 7030003520 | S.RESISTOR ERJ3GEYJ 472 V (4.7 kΩ) |
| R3173 | 7030003320 | S.RESISTOR ERJ3GEYJ 101 V (100 Ω) |
| R3174 | 7030003380 | S.RESISTOR ERJ3GEYJ 331 V (330 Ω) |
| R3176 | 7030003640 | S.RESISTOR ERJ3GEYJ 473 V (47 kΩ) |
| R3177 | 7030003640 | S.RESISTOR ERJ3GEYJ 473 V (47 kΩ) |
| R3178 | 7030003640 | S.RESISTOR ERJ3GEYJ 473 V (47 kΩ) |
| R3179 | 7030003640 | S.RESISTOR ERJ3GEYJ 473 V (47 kΩ) |
| R3180 | 7030003640 | S.RESISTOR ERJ3GEYJ 473 V (47 kΩ) |
| R3181 | 7030003640 | S.RESISTOR ERJ3GEYJ 473 V (47 kΩ) |
| R3183 | 7030003640 | S.RESISTOR ERJ3GEYJ 473 V (47 kΩ) |
| R3184 | 7030003640 | S.RESISTOR ERJ3GEYJ 473 V (47 kΩ) |
| R3186 | 7030003460 | S.RESISTOR ERJ3GEYJ 152 V (1.5 kΩ) |
| R3187 | 7030003640 | S.RESISTOR ERJ3GEYJ 473 V (47 kΩ) |
| R3188 | 7030003440 | S.RESISTOR ERJ3GEYJ 102 V (1 kΩ) |
| R3189 | 7030003440 | S.RESISTOR ERJ3GEYJ 102 V (1 kΩ) |
| R3190 | 7030003440 | S.RESISTOR ERJ3GEYJ 102 V (1 kΩ) |

[GEN]: [GEN-21], [GEN-22], [GEN-23] [EUR]: [EUR-21], [EUR-22]
 [GMDSS]: [GEN-23], [EUR-22] [Others]: [GEN-21], [GEN-22], [EUR-21]

S.=Surface mount

[PLL-A UNIT]

| REF NO. | ORDER NO. | DESCRIPTION | |
|---------|------------|----------------|-------------------------|
| R3191 | 7030003440 | S.RESISTOR | ERJ3GEYJ 102 V (1 kΩ) |
| R3193 | 7030003430 | S.RESISTOR | ERJ3GEYJ 821 V (820 Ω) |
| R3194 | 7030003460 | S.RESISTOR | ERJ3GEYJ 152 V (1.5 kΩ) |
| R3195 | 7030003380 | S.RESISTOR | ERJ3GEYJ 331 V (330 Ω) |
| R3196 | 7030003400 | S.RESISTOR | ERJ3GEYJ 471 V (470 Ω) |
| R3197 | 7030003490 | S.RESISTOR | ERJ3GEYJ 272 V (2.7 kΩ) |
| R3198 | 7030003320 | S.RESISTOR | ERJ3GEYJ 101 V (100 Ω) |
| R3199 | 7030003360 | S.RESISTOR | ERJ3GEYJ 221 V (220 Ω) |
| R3200 | 7030003460 | S.RESISTOR | ERJ3GEYJ 152 V (1.5 kΩ) |
| R3201 | 7030003680 | S.RESISTOR | ERJ3GEYJ 104 V (100 kΩ) |
| R3202 | 7030008060 | S.RESISTOR | RR0816P-222-D (2.2 kΩ) |
| R3203 | 7030008060 | S.RESISTOR | RR0816P-222-D (2.2 kΩ) |
| R3204 | 7030005350 | S.RESISTOR | RR0816P-182-D (1.8 kΩ) |
| R3205 | 7030003620 | S.RESISTOR | ERJ3GEYJ 333 V (33 kΩ) |
| C3006 | 4510005600 | S.ELECTROLYTIC | ECEV1CS100SR |
| C3007 | 4030006860 | S.CERAMIC | C1608 JB 1H 102K-T |
| C3008 | 4030006880 | S.CERAMIC | C1608 JB 1H 472K-T |
| C3009 | 4030007030 | S.CERAMIC | C1608 CH 1H 150J-T |
| C3010 | 4030006910 | S.CERAMIC | C1608 CH 1H 0R5C-T |
| C3011 | 4030007030 | S.CERAMIC | C1608 CH 1H 150J-T |
| C3013 | 4030006880 | S.CERAMIC | C1608 JB 1H 472K-T |
| C3014 | 4030006860 | S.CERAMIC | C1608 JB 1H 102K-T |
| C3016 | 4030006880 | S.CERAMIC | C1608 JB 1H 472K-T |
| C3017 | 4510004630 | S.ELECTROLYTIC | ECEV1CA100SR |
| C3018 | 4510004640 | S.ELECTROLYTIC | ECEV1CA470SP |
| C3019 | 4030006880 | S.CERAMIC | C1608 JB 1H 472K-T |
| C3020 | 4030006860 | S.CERAMIC | C1608 JB 1H 102K-T |
| C3021 | 4030006880 | S.CERAMIC | C1608 JB 1H 472K-T |
| C3023 | 4510004640 | S.ELECTROLYTIC | ECEV1CA470SP |
| C3024 | 4030006880 | S.CERAMIC | C1608 JB 1H 472K-T |
| C3025 | 4030006880 | S.CERAMIC | C1608 JB 1H 472K-T |
| C3026 | 4030006880 | S.CERAMIC | C1608 JB 1H 472K-T |
| C3027 | 4030006880 | S.CERAMIC | C1608 JB 1H 472K-T |
| C3030 | 4030006880 | S.CERAMIC | C1608 JB 1H 472K-T |
| C3031 | 4030010070 | S.CERAMIC | C1608 X7S 1C 104K-T |
| C3032 | 4030010070 | S.CERAMIC | C1608 X7S 1C 104K-T |
| C3033 | 4030006880 | S.CERAMIC | C1608 JB 1H 472K-T |
| C3034 | 4030006880 | S.CERAMIC | C1608 JB 1H 472K-T |
| C3035 | 4030006880 | S.CERAMIC | C1608 JB 1H 472K-T |
| C3036 | 4030006880 | S.CERAMIC | C1608 JB 1H 472K-T |
| C3037 | 4030006880 | S.CERAMIC | C1608 JB 1H 472K-T |
| C3038 | 4030006880 | S.CERAMIC | C1608 JB 1H 472K-T |
| C3039 | 4030010000 | S.CERAMIC | C1608 CH 1H 510J-T |
| C3040 | 4030006960 | S.CERAMIC | C1608 CH 1H 050C-T |
| C3041 | 4030010000 | S.CERAMIC | C1608 CH 1H 510J-T |
| C3042 | 4030006880 | S.CERAMIC | C1608 JB 1H 472K-T |
| C3043 | 4030006860 | S.CERAMIC | C1608 JB 1H 102K-T |
| C3044 | 4550000730 | S.TANTALUM | TEESVA 0J 225M8L |
| C3045 | 4030007010 | S.CERAMIC | C1608 CH 1H 100D-T |
| C3046 | 4030007080 | S.CERAMIC | C1608 CH 1H 390J-T |
| C3047 | 4030006880 | S.CERAMIC | C1608 JB 1H 472K-T |
| C3048 | 4030018020 | S.CERAMIC | C1608 CH 1H 910J-T |
| C3049 | 4610001820 | S.TANTALUM | TZB4P300AB10R00 |
| C3050 | 4030007150 | S.CERAMIC | C1608 CH 1H 151J-T |
| C3052 | 4030006880 | S.CERAMIC | C1608 JB 1H 472K-T |
| C3053 | 4510005600 | S.ELECTROLYTIC | ECEV1CS100SR |
| C3054 | 4030007150 | S.CERAMIC | C1608 CH 1H 151J-T |
| C3055 | 4030007150 | S.CERAMIC | C1608 CH 1H 151J-T |
| C3056 | 4030007010 | S.CERAMIC | C1608 CH 1H 100D-T |
| C3059 | 4030006880 | S.CERAMIC | C1608 JB 1H 472K-T |
| C3060 | 4030006880 | S.CERAMIC | C1608 JB 1H 472K-T |
| C3061 | 4030006880 | S.CERAMIC | C1608 JB 1H 472K-T |
| C3062 | 4510005600 | S.ELECTROLYTIC | ECEV1CS100SR |
| C3063 | 4030006880 | S.CERAMIC | C1608 JB 1H 472K-T |
| C3066 | 4030006860 | S.CERAMIC | C1608 JB 1H 102K-T |
| C3067 | 4030006880 | S.CERAMIC | C1608 JB 1H 472K-T |
| C3068 | 4030006880 | S.CERAMIC | C1608 JB 1H 472K-T |
| C3070 | 4030006880 | S.CERAMIC | C1608 JB 1H 472K-T |
| C3071 | 4030007130 | S.CERAMIC | C1608 CH 1H 101J-T |
| C3072 | 4030006880 | S.CERAMIC | C1608 JB 1H 472K-T |
| C3073 | 4510005600 | S.ELECTROLYTIC | ECEV1CS100SR |
| C3077 | 4030006880 | S.CERAMIC | C1608 JB 1H 472K-T |
| C3083 | 4030006860 | S.CERAMIC | C1608 JB 1H 102K-T |
| C3084 | 4550003250 | S.TANTALUM | TEESVA 1V 474M8L |
| C3085 | 4550006050 | S.TANTALUM | TEESVA 0J 106M8L |
| C3086 | 4340000100 | S.MYLAR | ECHU 1C 473JB5 |
| C3087 | 4510005600 | S.ELECTROLYTIC | ECEV1CS100SR |
| C3088 | 4030010070 | S.CERAMIC | C1608 X7S 1C 104K-T |
| C3089 | 4030006880 | S.CERAMIC | C1608 JB 1H 472K-T |
| C3090 | 4030006860 | S.CERAMIC | C1608 JB 1H 102K-T |

[PLL-A UNIT]

| REF NO. | ORDER NO. | DESCRIPTION | |
|---------|------------|----------------|---------------------|
| C3091 | 4030007130 | S.CERAMIC | C1608 CH 1H 101J-T |
| C3092 | 4030006880 | S.CERAMIC | C1608 JB 1H 472K-T |
| C3093 | 4510004590 | ELECTROLYTIC | 16 MV 470 HC |
| C3094 | 4030006860 | S.CERAMIC | C1608 JB 1H 102K-T |
| C3095 | 4030010070 | S.CERAMIC | C1608 X7S 1C 104K-T |
| C3096 | 4510004590 | ELECTROLYTIC | 16 MV 470 HC |
| C3097 | 4030006880 | S.CERAMIC | C1608 JB 1H 472K-T |
| C3098 | 4030006920 | S.CERAMIC | C1608 CH 1H 010C-T |
| C3099 | 4030006860 | S.CERAMIC | C1608 JB 1H 102K-T |
| C3100 | 4030006880 | S.CERAMIC | C1608 JB 1H 472K-T |
| C3101 | 4030006930 | S.CERAMIC | C1608 CH 1H 020C-T |
| C3102 | 4030006880 | S.CERAMIC | C1608 JB 1H 472K-T |
| C3105 | 4030006860 | S.CERAMIC | C1608 JB 1H 102K-T |
| C3107 | 4030006860 | S.CERAMIC | C1608 JB 1H 102K-T |
| C3109 | 4030006880 | S.CERAMIC | C1608 JB 1H 472K-T |
| C3110 | 4030006880 | S.CERAMIC | C1608 JB 1H 472K-T |
| C3111 | 4030006880 | S.CERAMIC | C1608 JB 1H 472K-T |
| C3114 | 4030006880 | S.CERAMIC | C1608 JB 1H 472K-T |
| C3124 | 4030007090 | S.CERAMIC | C1608 CH 1H 470J-T |
| C3125 | 4030006860 | S.CERAMIC | C1608 JB 1H 102K-T |
| C3129 | 4030006880 | S.CERAMIC | C1608 JB 1H 472K-T |
| C3130 | 4030007110 | S.CERAMIC | C1608 CH 1H 680J-T |
| C3132 | 4030006960 | S.CERAMIC | C1608 CH 1H 050C-T |
| C3133 | 4030006880 | S.CERAMIC | C1608 JB 1H 472K-T |
| C3135 | 4030007060 | S.CERAMIC | C1608 CH 1H 270J-T |
| C3136 | 4030007020 | S.CERAMIC | C1608 CH 1H 120J-T |
| C3137 | 4030007060 | S.CERAMIC | C1608 CH 1H 270J-T |
| C3138 | 4030006980 | S.CERAMIC | C1608 CH 1H 070D-T |
| C3139 | 4030007040 | S.CERAMIC | C1608 CH 1H 180J-T |
| C3141 | 4030006880 | S.CERAMIC | C1608 JB 1H 472K-T |
| C3142 | 4030006880 | S.CERAMIC | C1608 JB 1H 472K-T |
| C3143 | 4030006880 | S.CERAMIC | C1608 JB 1H 472K-T |
| C3144 | 4030006880 | S.CERAMIC | C1608 JB 1H 472K-T |
| C3145 | 4030006880 | S.CERAMIC | C1608 JB 1H 472K-T |
| C3154 | 4030007040 | S.CERAMIC | C1608 CH 1H 180J-T |
| C3155 | 4030007000 | S.CERAMIC | C1608 CH 1H 090D-T |
| C3156 | 4030007060 | S.CERAMIC | C1608 CH 1H 270J-T |
| C3157 | 4030006960 | S.CERAMIC | C1608 CH 1H 050C-T |
| C3158 | 4030008560 | S.CERAMIC | C1608 CH 1H 300J-T |
| C3161 | 4030006880 | S.CERAMIC | C1608 JB 1H 472K-T |
| C3164 | 4030006880 | S.CERAMIC | C1608 JB 1H 472K-T |
| C3165 | 4030006880 | S.CERAMIC | C1608 JB 1H 472K-T |
| C3170 | 4030007090 | S.CERAMIC | C1608 CH 1H 470J-T |
| C3171 | 4030011280 | S.CERAMIC | C1608 CH 1H 271J-T |
| C3173 | 4030006880 | S.CERAMIC | C1608 JB 1H 472K-T |
| C3174 | 4030006880 | S.CERAMIC | C1608 JB 1H 472K-T |
| C3175 | 4030006880 | S.CERAMIC | C1608 JB 1H 472K-T |
| C3177 | 4030006880 | S.CERAMIC | C1608 JB 1H 472K-T |
| C3178 | 4030006880 | S.CERAMIC | C1608 JB 1H 472K-T |
| C3179 | 4030006880 | S.CERAMIC | C1608 JB 1H 472K-T |
| C3180 | 4030006880 | S.CERAMIC | C1608 JB 1H 472K-T |
| C3181 | 4030006880 | S.CERAMIC | C1608 JB 1H 472K-T |
| C3182 | 4030006860 | S.CERAMIC | C1608 JB 1H 102K-T |
| C3183 | 4030007130 | S.CERAMIC | C1608 CH 1H 101J-T |
| C3184 | 4030006880 | S.CERAMIC | C1608 JB 1H 472K-T |
| C3185 | 4030006880 | S.CERAMIC | C1608 JB 1H 472K-T |
| C3186 | 4510005600 | S.ELECTROLYTIC | ECEV1CS100SR |
| C3187 | 4030011600 | S.CERAMIC | C1608 JB 1E 104K-T |
| C3188 | 4030011600 | S.CERAMIC | C1608 JB 1E 104K-T |
| C3189 | 4510004870 | S.ELECTROLYTIC | ECEV1CA330P |
| C3190 | 4030011600 | S.CERAMIC | C1608 JB 1E 104K-T |
| C3191 | 4030011600 | S.CERAMIC | C1608 JB 1E 104K-T |
| C3192 | 4030011600 | S.CERAMIC | C1608 JB 1E 104K-T |
| C3193 | 4510005600 | S.ELECTROLYTIC | ECEV1CS100SR |
| C3194 | 4030011600 | S.CERAMIC | C1608 JB 1E 104K-T |
| RL3001 | 6330001320 | RELAY | AHY103 |
| J3004 | 6510003080 | CONNECTOR | RT01T-1.0B |
| J3005 | 6510003080 | CONNECTOR | RT01T-1.0B |
| J3007 | 6510017660 | CONNECTOR | 52045-1645 |
| W3007 | 7030003860 | S.RESISTOR | ERJ3GE JPW V |
| EP3001 | 0910049833 | PCB | B5126C |

[GEN]: [GEN-21], [GEN-22], [GEN-23] [EUR]: [EUR-21], [EUR-22]
 [GMDSS]: [GEN-23], [EUR-22] [Others]: [GEN-21], [GEN-22], [EUR-21]

S.=Surface mount

[CHASSIS UNIT]

| REF NO. | ORDER NO. | DESCRIPTION | | |
|---------|------------|-------------|--------------------|----------|
| MF1001 | 2710000520 | FAN | SB0812H-ICOM-00 | [Others] |
| | 2710000570 | FAN | VFA-8018-BH10-1000 | [GMDSS] |
| W1003 | 8900006220 | CABLE | OPC-539 | |
| W1012 | 8900006082 | CABLE | OPC-567B | |
| EP1001 | 6910013480 | E.OTHER | MGB12-07B | |

[ALARM BOARD] (except [GEN-21])

| REF NO. | ORDER NO. | DESCRIPTION | | M. | H/V LOCATION |
|---------|------------|-------------|-------------------------|----|--------------|
| IC5001 | 1130007800 | S.IC | S-7116AF-TF | B | 25.5/6.2 |
| Q5001 | 1530002690 | S.TR | 2SC4116-GR (TE85R) | T | 23.9/10.5 |
| X5001 | 6060000150 | S.CE | CSAC3.58MGC300CD-TC | T | 14/2.6 |
| R5001 | 7030003620 | S.RE | ERJ3GEYJ 333 V (33 kΩ) | T | 25.6/2.3 |
| R5002 | 7030003640 | S.RE | ERJ3GEYJ 473 V (47 kΩ) | T | 21.6/2.3 |
| R5003 | 7030003440 | S.RE | ERJ3GEYJ 102 V (1 kΩ) | T | 23.6/3.1 |
| R5004 | 7030003640 | S.RE | ERJ3GEYJ 473 V (47 kΩ) | T | 16/10 |
| R5005 | 7030003440 | S.RE | ERJ3GEYJ 102 V (1 kΩ) | T | 17.3/10 |
| R5006 | 7030003680 | S.RE | ERJ3GEYJ 104 V (100 kΩ) | T | 21/10.8 |
| R5007 | 7030003710 | S.RE | ERJ3GEYJ 184 V (180 kΩ) | T | 25.4/8.6 |
| R5008 | 7030003440 | S.RE | ERJ3GEYJ 102 V (1 kΩ) | T | 26.1/10.4 |
| R5009 | 7030003440 | S.RE | ERJ3GEYJ 102 V (1 kΩ) | T | 14.1/17 |
| R5010 | 7030003640 | S.RE | ERJ3GEYJ 473 V (47 kΩ) | T | 12.1/17.7 |
| C5001 | 4550006140 | S.TA | ECST1EY474R | T | 20.5/9.1 |
| C5002 | 4550006210 | S.TA | ECST1CX106R | T | 4.9/3.6 |
| C5004 | 4030006880 | S.CE | C1608 JB 1H 472K-T | T | 14.7/10 |
| C5005 | 4030007090 | S.CE | C1608 CH 1H 470J-T | T | 12.1/10 |
| C5006 | 4030007090 | S.CE | C1608 CH 1H 470J-T | T | 13.4/10 |
| C5007 | 4030006860 | S.CE | C1608 JB 1H 102K-T | T | 21.6/3.6 |
| C5008 | 4030006850 | S.CE | C1608 JB 1H 471K-T | T | 12.1/16.2 |
| J5001 | 6510018160 | S.CO | 4-175643-0 | T | 5/10 |
| J5002 | 6510018170 | S.CO | 4-175643-4 | T | 31/10 |
| EP5001 | 0910045602 | PCB | B 4368B | | |

M.=Mounted side (T: Mounted on the Top side, B: Mounted on the Bottom side)
S.=Surface mount

[GEN]: [GEN-21], [GEN-22], [GEN-23] [EUR]: [EUR-21], [EUR-22]
[GMDSS]: [GEN-23], [EUR-22] [Others]: [GEN-21], [GEN-22], [EUR-21]

SECTION 6 MECHANICAL PARTS AND DISASSEMBLY

[FRONT PARTS]

| REF. NO. | ORDER NO. | DESCRIPTION | QTY. |
|----------|------------|--------------------------|------|
| S2801 | 2260001580 | Switch JPZ2120-0101 | 1 |
| SP2801 | 2510000441 | Speaker F77G08-6205 | 1 |
| MP2801 | 8210012342 | 1632 front panel (A)-1 | 1 |
| | 8210012192 | 1632 front panel-1 | 1 |
| MP2802 | 8310035581 | 1632 window plate | 1 |
| MP2803 | 8930035591 | 1632 3-key-1 | 1 |
| MP2804 | 8930035600 | 1632 4-key | 1 |
| MP2805 | 8930035610 | 1632 14-key | 1 |
| MP2806 | 8930035640 | 1632 power key | 1 |
| MP2807 | 8930035650 | 1632 1-key | 1 |
| MP2808 | 8930035660 | 1632 2-key | 1 |
| MP2809 | 8610009750 | Knob N232 | 2 |
| MP2810 | 8610009760 | Knob N233 | 2 |
| MP2811 | 8210012200 | 1632 mask plate | 1 |
| MP2812 | 8930035580 | 1632 sensor seal | 2 |
| MP2813 | 8930035571 | 1632 knob plate-1 | 1 |
| MP2816 | 8930035630 | 1632 front seal | 1 |
| MP2817 | 8930031830 | O ring SO-008-17 | 2 |
| MP2818 | 8010016024 | 1632 sub chassis-4 | 1 |
| MP2819 | 8810007410 | Screw PH M3 × 6 NI | 4 |
| MP2820 | 8810008660 | Screw PH BT M3 × 8 NI-ZU | 7 |
| MP2821 | 8930036350 | 1632 T-key | 1 |
| MP2822 | 8930036320 | 1632 key spacer | 1 |
| MP2823 | 8810008790 | Screw FH M3 × 6 NI | 2 |
| MP2824 | 8610009240 | Knob sprng NO.7800P | 2 |
| MP2825 | 8930032370 | Shaft tape (A) | 2 |
| MP2831 | 8930045080 | 1632 clip | 1 |
| MP2832 | 8930050270 | 1632 LCD sponge | 1 |

[LOGIC UNIT]

| REF. NO. | ORDER NO. | DESCRIPTION | QTY. |
|----------|------------|-----------------------|------|
| DS2004 | 5010000180 | LCD DLC-7978P | 1 |
| MP2001 | 8410002002 | 1632 heatsink plate-2 | 1 |
| MP2002 | 8930035621 | 1632 LCD holder-1 | 1 |
| MP2003 | 8930036280 | 1632 LCD-L filter | 1 |
| MP2004 | 8930036310 | 1632 LCD-U filter | 1 |
| MP2006 | 8810004300 | Screw PH M3 × 10 ZK | 1 |
| MP2007 | 8830000190 | Nut M3 NI BS | 1 |
| MP2008 | 8930036570 | 1632 lamp rubber | 3 |

[VR1 BOARD]

| REF. NO. | ORDER NO. | DESCRIPTION | QTY. |
|----------|------------|--|------|
| R2401 | 7210002540 | Variable resistor TP96N937-15F-10KB-1540 | 1 |

[VR2 BOARD]

| REF. NO. | ORDER NO. | DESCRIPTION | QTY. |
|----------|------------|--|------|
| R2501 | 7210002730 | Variable resistor TP96N944-15F-10KB-1632 | 1 |

[SENSOR1 BOARD]

| REF. NO. | ORDER NO. | DESCRIPTION | QTY. |
|----------|------------|-----------------------|------|
| S2601 | 2250000020 | Encoder SRB18100 25KC | 1 |

[SENSOR2 BOARD]

| REF. NO. | ORDER NO. | DESCRIPTION | QTY. |
|----------|------------|-----------------------|------|
| S2701 | 2250000020 | Encoder SRB18100 25KC | 1 |

[MIC BOARD]

| REF. NO. | ORDER NO. | DESCRIPTION | QTY. |
|----------|------------|----------------------|------|
| J2301 | 6510021050 | Connector A28 socket | 1 |

[CHASSIS PARTS]

| REF. NO. | ORDER NO. | DESCRIPTION | QTY. |
|----------|------------|------------------------------|------|
| W1012 | 8900006082 | Cable OPC-567B | 1 |
| MF1001 | 2710000520 | Fan SB0812H-ICOM-00 | 1 |
| | 2710000570 | Fan VFA-8018-BH10-1000 | 1 |
| MP1003 | 8010015771 | 1632 main chassis-1 | 1 |
| | 8010017211 | 1632 G-main chassis-1 | 1 |
| MP1005 | 8850000180 | Flat washer M5 SUS | 3 |
| MP1006 | 8850000500 | Spring washer M5 SUS | 1 |
| MP1007 | 8830000250 | Nut M5 SUS | 1 |
| MP1008 | 8830000370 | Wing nut M5 SUS | 1 |
| MP1010 | 8810008630 | Screw PH BT M3 × 6 NI-ZU | 7 |
| MP1011 | 8810008630 | Screw PH BT M3 × 6 NI-ZU | 7 |
| MP1015 | 8810009850 | Screw PH BT M4 × 12 NI-ZU | 4 |
| MP1018 | 8110005511 | 1632 cover-1 | 1 |
| | 8110005560 | 1632 G-cover | 1 |
| MP1020 | 8210012221 | 1632 rear panel-1 | 1 |
| | 8210015140 | 1632 rear panel (A)-1 | 1 |
| MP1022 | 8930035780 | 1632 rear seal | 1 |
| MP1024 | 8930035750 | 1632 connector plate | 1 |
| | 8930036840 | 1632 G-connector plate | 1 |
| MP1026 | 8930035740 | 1632 connector seal | 1 |
| MP1027 | 8930035760 | 1632 fan seal | 1 |
| MP1028 | 8930035730 | 1632 fan plate | 1 |
| MP1029 | 8810003840 | Screw BiH M3 × 8 ZK SUS | 1 |
| MP1030 | 8810003840 | Screw BiH M3 × 8 ZK SUS | 4 |
| | 8810003840 | Screw BiH M3 × 8 ZK SUS | 2 |
| MP1031 | 8820000550 | Cap bolt M4 × 8 ZK | 4 |
| | 8810008910 | Screw PH M4 × 25 SUS | 4 |
| MP1038 | 8810003840 | Screw BiH M3 × 8 ZK SUS | 9 |
| MP1040 | 8810008790 | Screw FH M3 × 6 NI | 4 |
| MP1043 | 8810003840 | Screw BiH M3 × 8 ZK SUS | 4 |
| MP1044 | 8930037050 | 1632 side seal | 4 |
| MP1045 | 8930037030 | 1562 stand-off | 2 |
| | 8930037030 | 1562 stand-off | 4 |
| MP1046 | 8930036390 | 1562 CA-plate | 2 |
| MP1047 | 8810008800 | Screw PH UNC NO.4 × 4 SUS | 4 |
| MP1050 | 8930037900 | Himelon sheet BB | 1 |
| MP1051 | 8930040020 | Himelon sheet BJ | 4 |
| MP1055 | 8850001700 | Insulation flat washer (Y) | 4 |
| MP1056 | 8850001691 | Insulation flat washer (X)-1 | 3 |
| MP1057 | 8930045110 | 1632 G-A seal | 1 |
| MP1058 | 8930045100 | 1632 G-B seal | 1 |
| MP1059 | 8930050321 | Thermally sheet (M)-1 | 1 |
| MP1060 | 8930050331 | Thermally sheet (N)-1 | 1 |
| MP1061 | 8850001810 | Sealing washer (V) | 13 |

[FILTER BOARD]

| REF. NO. | ORDER NO. | DESCRIPTION | QTY. |
|----------|------------|------------------|------|
| MP4301 | 8930014140 | Earth spring (D) | 1 |

[PA150W BOARD]

| REF. NO. | ORDER NO. | DESCRIPTION | QTY. |
|----------|------------|-------------------------|------|
| MP4001 | 8860000110 | Earth lug B3 (M4) AG BS | 1 |
| MP4002 | 8860000110 | Earth lug B3 (M4) AG BS | 1 |
| MP4004 | 6910008240 | Clip 59TN4772 | 1 |
| MP4005 | 6910008240 | Clip 59TN4772 | 1 |

[PA PARTS]

| REF. NO. | ORDER NO. | DESCRIPTION | QTY. |
|----------|------------|--|------------|
| F4601 | 5220000210 | Holder FH-052S | 1 |
| F4602 | 5220000210 | Holder FH-052S | 1 |
| F4603 | 5210000090 | Fuse FGB 30A | 1 |
| F4604 | 5210000090 | Fuse FGB 30A | 1 |
| J4601 | 6510000370 | Connector MR-DS | 1 |
| W4603 | 8900005701 | Cable OPC-569A | 1 |
| EP4603 | 6910000340 | Sheet P101 KD | [EUR] 1 |
| EP4604 | 6910000340 | Sheet P101 KD | [EUR] 1 |
| EP4605 | 6910000340 | Sheet P101 KD | 1 |
| EP4607 | 6910000310 | Insulation plate B312D | [EUR] 1 |
| EP4608 | 6910000310 | Insulation plate B312D | [EUR] 1 |
| EP4609 | 6910000310 | Insulation plate B312D | 1 |
| EP4611 | 8930024970 | 1241 insulation sheet | [EUR] 1 |
| EP4612 | 8930024970 | 1241 insulation sheet | [EUR] 1 |
| MP4601 | 8810008630 | Screw PH BT M3 × 6 NI-ZU | 4 |
| MP4602 | 8810008630 | Screw PH BT M3 × 6 NI-ZU | [EUR] 3 |
| MP4603 | 8810008630 | Screw PH BT M3 × 6 NI-ZU | 4 |
| MP4604 | 8810008630 | Screw PH BT M3 × 6 NI-ZU | 8 |
| MP4605 | 8810003840 | Screw BiH M3 × 8 ZK SUS | 2 |
| MP4608 | 8410002173 | 1632 heatsink (A)-3 | [Others] 1 |
| | 8410002183 | 1632 heatsink (B)-3 | [GMDSS] 1 |
| MP4609 | 8110005391 | 1632 PA cover-1 | 1 |
| MP4610 | 8930035790 | 1632 ANT plate | 1 |
| MP4611 | 8810008630 | Screw PH BT M3 × 6 NI-ZU | 25 |
| MP4612 | 8810007410 | Screw PH M3 × 6 NI | 1 |
| MP4613 | 8810007410 | Screw PH M3 × 6 NI | 1 |
| MP4614 | 8810007410 | Screw PH M3 × 6 NI | 1 |
| MP4615 | 8810007410 | Screw PH M3 × 6 NI | 1 |
| MP4616 | 8810007410 | Screw PH M3 × 6 NI | 1 |
| MP4617 | 8810008460 | Setscrew H M2.6 × 16 NI | 1 |
| MP4618 | 8810008490 | Setscrew H M2.6 × 8 NI | 1 |
| | | [GEN-21], [GEN-22] | 1 |
| | 8810009040 | Setscrew H M2.6 × 10 NI | [EUR-21] 1 |
| | 8810008460 | Setscrew H M2.6 × 16 NI | [GMDSS] 1 |
| MP4619 | 8810008490 | Setscrew H M2.6 × 8 NI | 1 |
| | | [GEN-21], [GEN-22] | 1 |
| | 8810009040 | Setscrew H M2.6 × 10 NI | [EUR-21] 1 |
| | 8810008460 | Setscrew H M2.6 × 16 NI | [GMDSS] 1 |
| MP4620 | 8810008460 | Setscrew H M2.6 × 16 NI | 1 |
| MP4623 | 8810007410 | Screw PH M3 × 6 NI | [EUR] 1 |
| MP4628 | 8930020810 | Insulation washer (M) [GMDSS], [EUR-21] | 4 |
| | 8930020810 | Insulation washer (M) [GEN-21], [GEN-22] | 2 |
| MP4629 | 8930034300 | 1542 ANT seal | [GMDSS] 1 |
| MP4630 | 8930035770 | 1632 heatsink seal | [GMDSS] 1 |
| MP4631 | 8810007410 | Screw PH M3 × 6 NI | 2 |
| MP4632 | 8810007410 | Screw PH M3 × 6 NI | 2 |
| MP4633 | 8930045030 | 1632 F-cover | [GMDSS] 2 |
| MP4634 | 8930036300 | 1632 FH-B seal | [Others] 2 |
| MP4635 | 8930015750 | Himelon sheet S | 1 |
| MP4636 | 8930037870 | 1632 PA-A sheet | 4 |
| MP4637 | 8930037880 | 1632 PA-B sheet | 4 |
| MP4639 | 8930038720 | 1632 REG sponge | [EUR] 1 |
| MP4640 | 8930038730 | 1632 REG plate | [EUR] 1 |
| MP4641 | 8410002200 | 1632 PA heatsink | [GMDSS] 1 |
| MP4642 | 8930045040 | 1632 PA angle | [GMDSS] 1 |
| MP4643 | 8810008300 | Screw FH BT M3 × 8 NI | [GMDSS] 2 |
| MP4645* | 8930043580 | 1981 A-sheet (C) | [GMDSS] 1 |
| MP4646 | 8930046112 | 1632 sheet-2 TC200TKC | [GMDSS] 1 |

Screw abbreviations BT: Self-tapping PH: Pan head
 FH: Flat head BiH: Binding head
 ZK: Black BS: Brass
 NI: Nickel SUS: Stainless
 NI-ZU: Nickel-Zinc

[MAIN UNIT]

| REF. NO. | ORDER NO. | DESCRIPTION | QTY. |
|----------|------------|--------------------------|------------|
| MP1 | 8510000230 | 220 shield case | 1 |
| MP2 | 8510000241 | 220 shield case cover -1 | 1 |
| MP3 | 8510002200 | VCO case | 1 |
| MP4 | 8510000230 | 220 shield case | 1 |
| MP5 | 8510008300 | 963 DDS shield case | 1 |
| MP6 | 8510008310 | 963 DDS shield cover | 1 |
| MP8 | 8510001060 | Shield case | 1 |
| MP9 | 8510001740 | Shield case top cover | 1 |
| MP10 | 8930011830 | Holder 9M filter lug | [Others] 1 |
| MP11 | 8510004640 | 220 shield plate (C) | 1 |
| MP12 | 8930005440 | Insulation plate E | 1 |
| MP13 | 8510004640 | 220 shield plate (C) | 1 |
| MP14 | 8930005440 | Insulation plate E | 1 |
| MP15 | 8510000241 | 220 shield case cover -1 | 1 |
| MP16 | 8930005320 | Filter spacer | 2 |

[PLL/PLL-A UNIT]

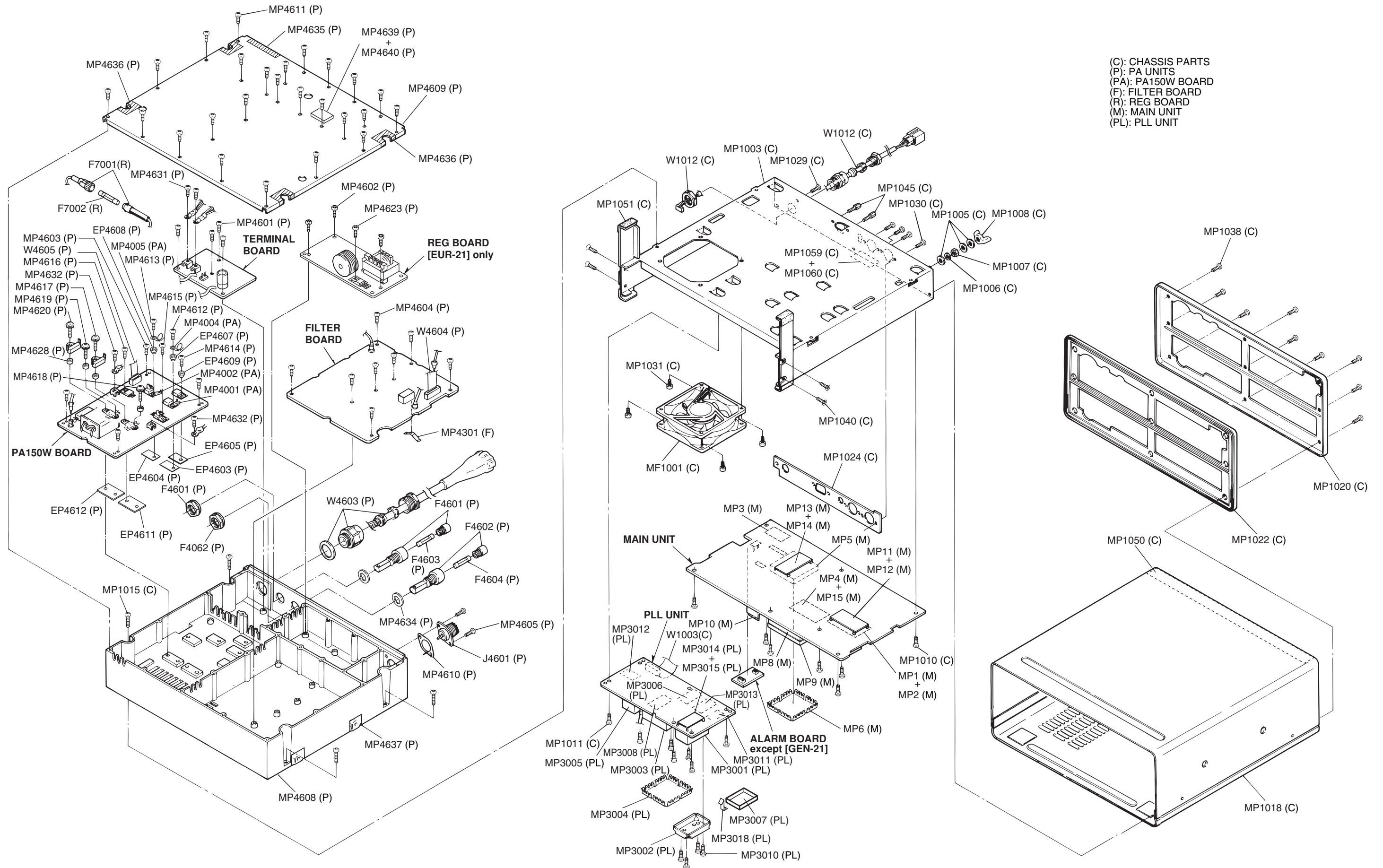
| REF. NO. | ORDER NO. | DESCRIPTION | QTY. |
|----------|------------|------------------------|------------|
| MP3001 | 8510009220 | 1386 shield case | 1 |
| MP3002 | 8510009860 | 1632 shield cover | 1 |
| MP3003 | 8510008300 | 963 DDS shield case | 1 |
| MP3004 | 8510008310 | 963 DDS shield cover | 1 |
| MP3005 | 8510000230 | 220 shield case | 1 |
| MP3006 | 8510000881 | 194 VCO case-1 | 1 |
| MP3007 | 8510006510 | 194 VCO case cover (E) | 1 |
| MP3008 | 8510005330 | Coil case | 1 |
| MP3010 | 8810008860 | Setscrew A 2.6 × 5 | 4 |
| MP3011 | 8510002200 | VCO case | 1 |
| MP3012 | 8510006941 | DTMF shield case-1 | 1 |
| MP3013 | 8510002200 | VCO case | 1 |
| MP3014 | 8510000210 | 194 shield plate | 1 |
| MP3015 | 8930005570 | Insulation plate U | 1 |
| MP3016* | 8930045120 | 1632 PLL plate | [GMDSS] 1 |
| MP3018 | 8930050240 | 1632 PLL spring | [Others] 1 |

[ACCESSORIES]

| REF. NO. | ORDER NO. | DESCRIPTION | QTY. |
|----------|------------|--|-----------|
| F1201 | 5210000090 | Fuse FGB 30A | 2 |
| F1202 | 5210000060 | Fuse FGB 5A | 2 |
| J1201 | 6450001270 | Connector TCP0577-71-5201 | 1 |
| J1202 | 6450001280 | Connector TCP0587-71-5401 | 1 |
| J1203 | 5610000040 | Connector AP321 | 1 |
| W1201 | 8900006070 | Cable OPC-568 | 1 |
| EP1202 | 6910009540 | Insulation plate WS07MF-0A | 4 |
| EP1204 | 6910009390 | Cover TCP9426-01-010 | [GMDSS] 1 |
| MC1201 | 7700001980 | Microphone EM-101 except [EUR-22] | 1 |
| MP1203 | 8850000180 | Flat washer M5 SUS | 4 |
| MP1207 | 8830000260 | Nut M6 SUS | 8 |
| MP1208 | 8850000510 | Spring washer M6 SUS | 4 |
| MP1211 | 8010016140 | 1632 mobil bracket | 1 |
| MP1212 | 8810001500 | Screw PH A M6 × 30 SUS | 4 |
| MP1214 | 8810001470 | Screw PH A M3.5 × 30 SUS except [EUR-22] | 2 |
| MP1215 | 8850000200 | Flat washer M6 (6 × 20 × 1.5) SUS | 8 |
| MP1216 | 8820000170 | Knob bolt (A) M5 × 10 SUS | 4 |
| MP1217 | 8930036560 | 1632 cushion rubber | 4 |
| MP1218 | 8950004140 | 1632 mic hanger except [EUR-22] | 1 |
| MP1219 | 8810003500 | Hex head bolt M6 × 50 SUS | 4 |

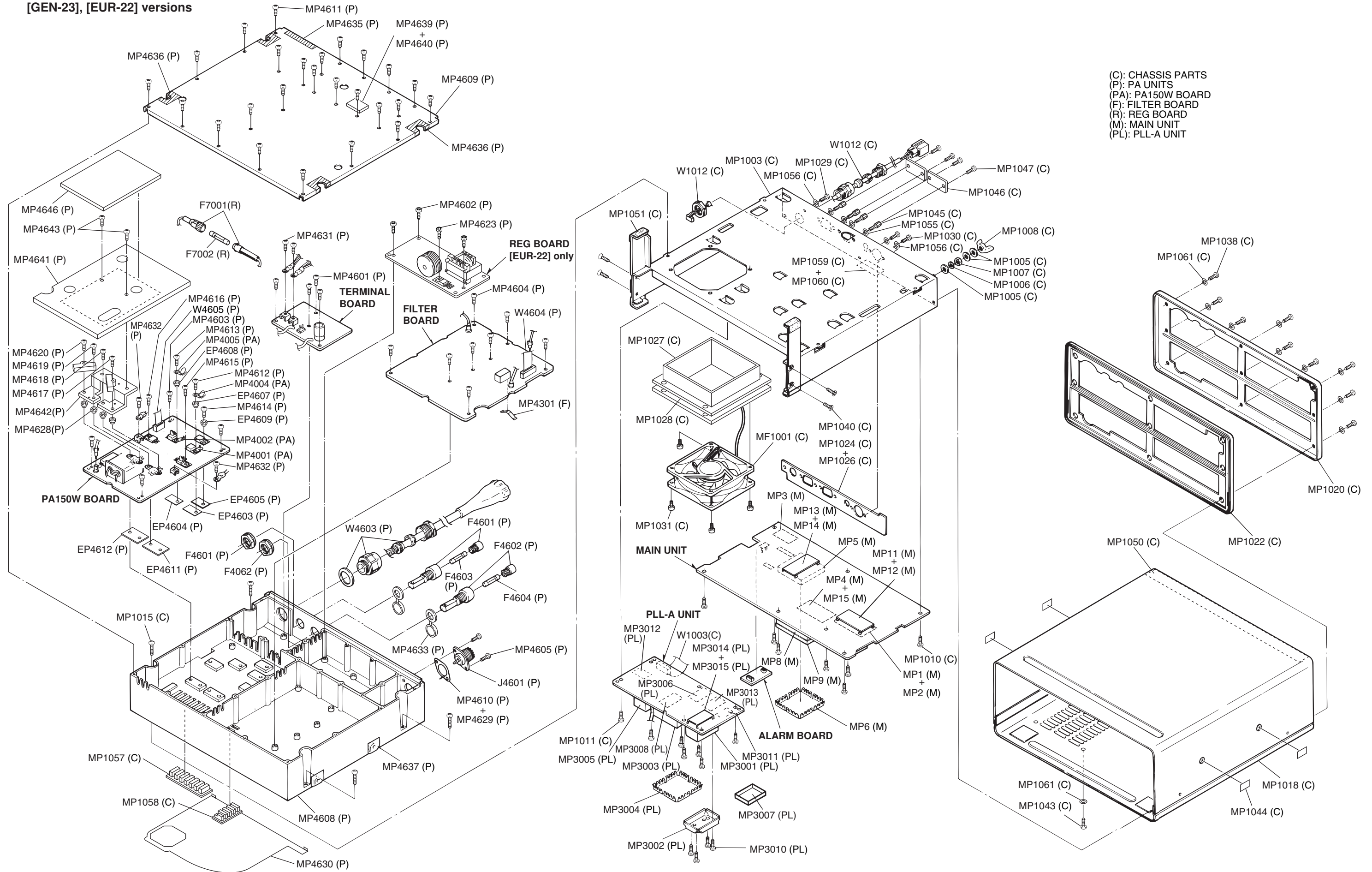
Note *: Refer to SECTION 8.

[GEN-21], [GEN-22], [EUR-21] versions



(C): CHASSIS PARTS
(P): PA UNITS
(PA): PA150W BOARD
(F): FILTER BOARD
(R): REG BOARD
(M): MAIN UNIT
(PL): PLL UNIT

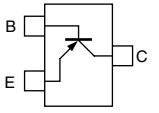
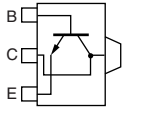
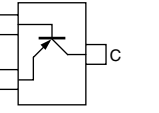
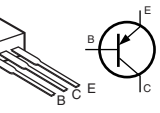
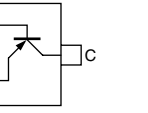
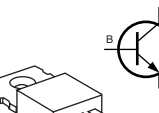
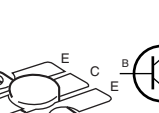
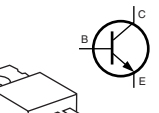
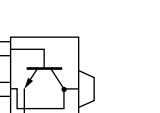
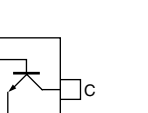
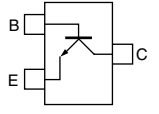
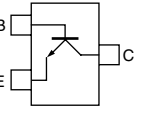
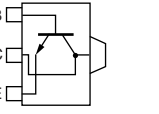
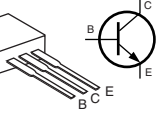
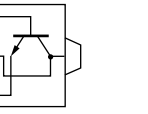
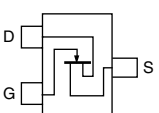
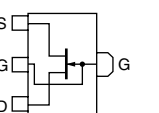
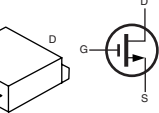
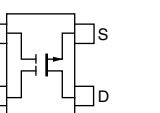
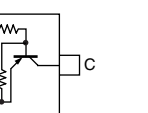
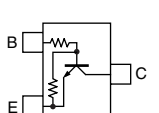
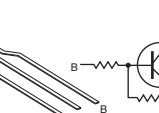
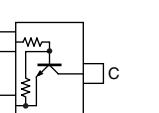
[GEN-23], [EUR-22] versions



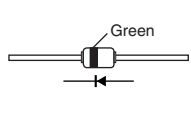
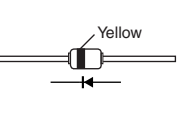
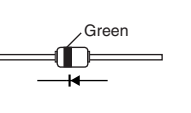
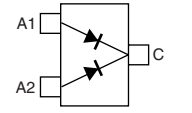
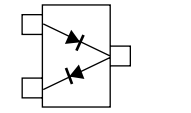
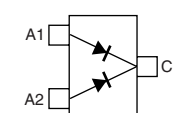
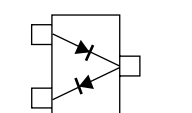
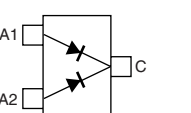
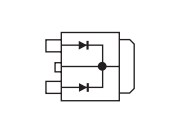
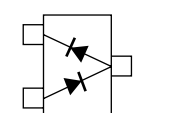
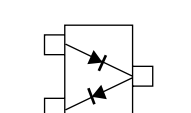
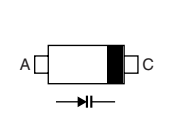
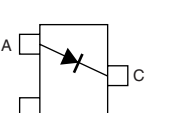
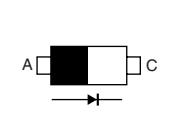
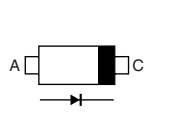
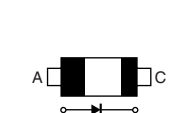
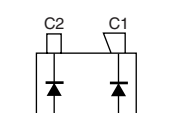
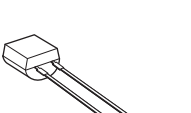
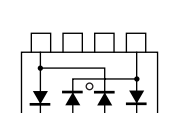
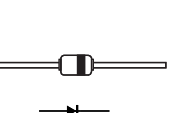
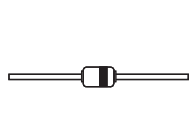
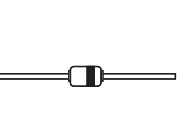
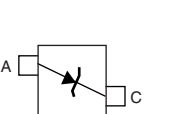
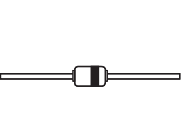
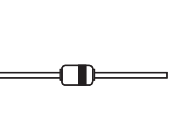
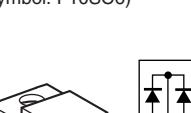
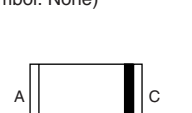
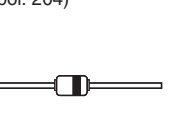
(C): CHASSIS PARTS
(P): PA UNITS
(PA): PA150W BOARD
(F): FILTER BOARD
(R): REG BOARD
(M): MAIN UNIT
(PL): PLL-A UNIT

SECTION 7 SEMI-CONDUCTOR INFORMATION

• TRANSISTOR AND FET'S

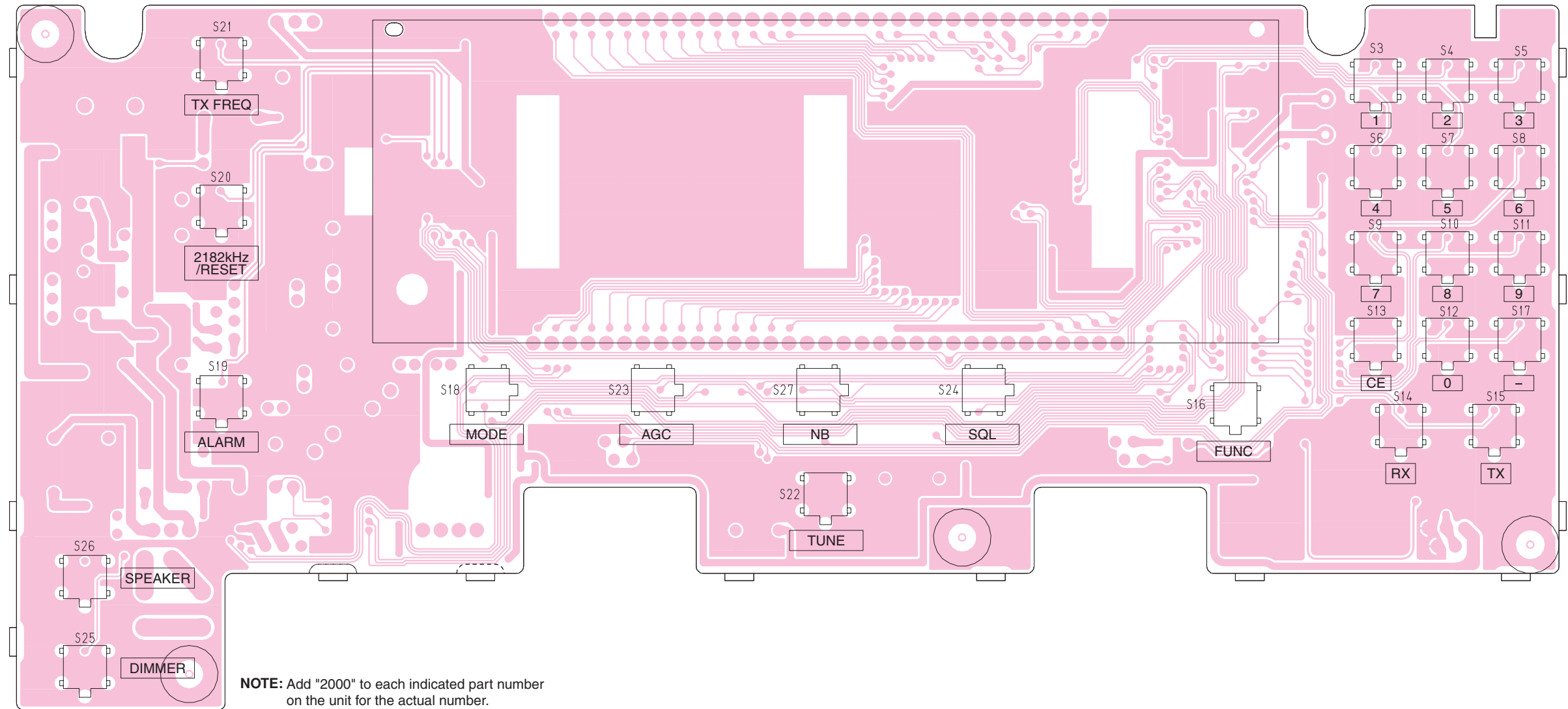
| | | | | |
|---|--|--|---|--|
| 2SA1037K WT R (Symbol: FR)  | 2SA1213 Y (Symbol: NY)  | 2SA1586 GR (Symbol: SG)  | 2SB1015 Y  | 2SC1623 L6 (Symbol: L6)  |
| 2SC1971  | 2SC2904  | 2SC3133  | 2SC3647 S TD (Symbol: CC)  | 2SC4116 GR (Symbol: LG)  |
| 2SC4213 B (Symbol: AB)  | 2SC4215 O (Symbol: QO)  | 2SC4673 D TD (Symbol: CO)  | 2SD1585 K  | 2SD1619 T TD (Symbol: DB)  |
| 2SK210 GR (Symbol: YG)  | 2SK2171 4 TD (Symbol: KM)  | 2SK2286 (Symbol: None)  | 3SK131 T2 MAS (Symbol: V11)  | DTA114EUA T106 (Symbol: 14)  |
| DTC114EK T147 (Symbol: 24)  | DTC114ES TP  | DTC114EUA T106 (Symbol: 24)  | | |

• DIODES

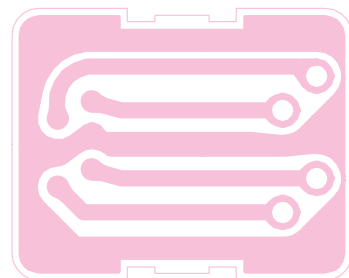
| | | | | |
|---|---|--|---|---|
| 1SS55 (Symbol: Green line)  | 1SS133 (Symbol: Yellow line)  | 1SS165 (Symbol: Green line)  | 1SS184 (Symbol: B3)  | 1SS226 (Symbol: C3)  |
| 1SS301 (Symbol: B3)  | 1SS302 (Symbol: C3)  | DAN222TL (Symbol: N)  | DF30SC4M 4062 (Symbol: 30SC4M)  | HSM88ASR TR (Symbol: C3)  |
| HSM88AS TR (Symbol: C1)  | HVU17 TRF (Symbol: E)  | MA29B (Symbol: Y)  | MA77 (Symbol: 4B)  | MA304 (Symbol: 7R)  |
| MA338 (Symbol: 6H)  | MA862 (Symbol: M11)  | MBD701 (Symbol: 5H)  | ND433G (Symbol: 433)  | RD5.1E B2 (Symbol: 5.12)  |
| RD6.2E B2 (Symbol: 6.22)  | RD9.1E B3 (Symbol: 9.13)  | RD9.1M B1 (Symbol: 911)  | RD12E B2 (Symbol: 12)  | RD13E B2 (Symbol: 13)  |
| SF10SC6 (Symbol: F10SC6)  | UM9957F/TR (Symbol: None)  | XB15A204 (Symbol: 204)  | | |

SECTION 8 BOARD LAYOUTS

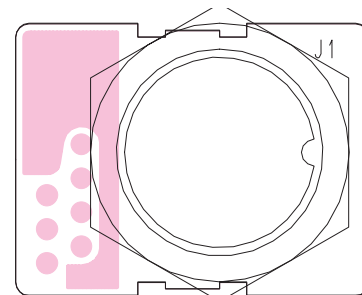
8-1 LOGIC UNIT • TOP VIEW



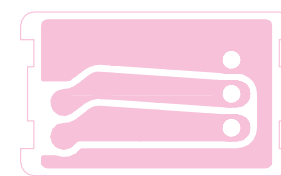
8-2 SENSOR1/2 BOARDS • TOP VIEW



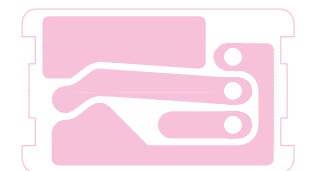
8-3 MIC BOARD • TOP VIEW



8-4 VR1 BOARD • TOP VIEW

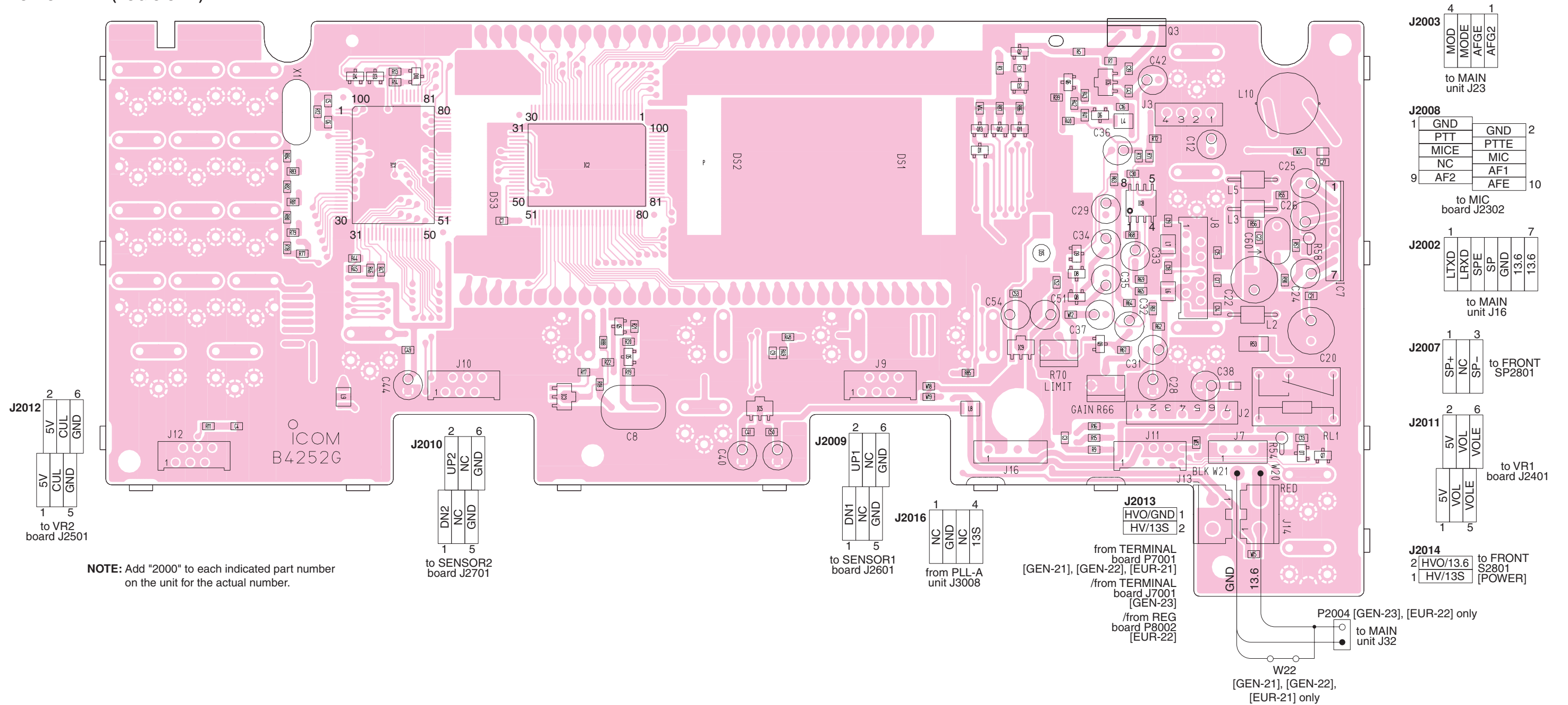


8-5 VR2 BOARD • TOP VIEW

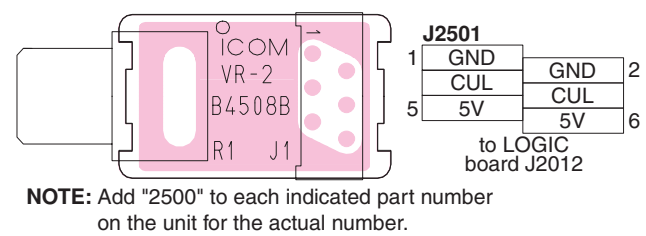


NOTE: Add "2300" to each indicated part number on the unit for the actual number.

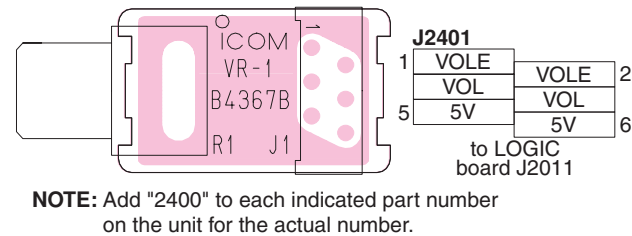
• BOTTOM VIEW (LOGIC UNIT)



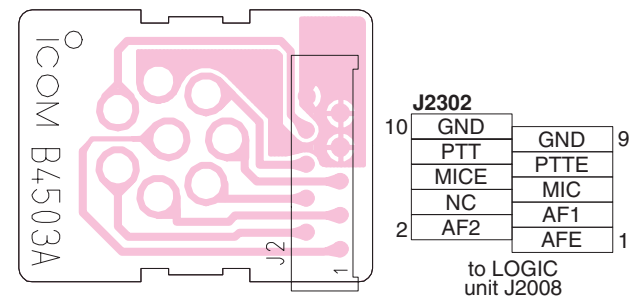
• BOTTOM VIEW (VR2 BOARD)



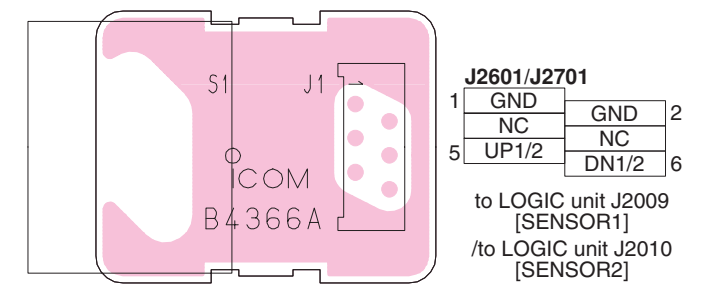
• BOTTOM VIEW (VR1 BOARD)



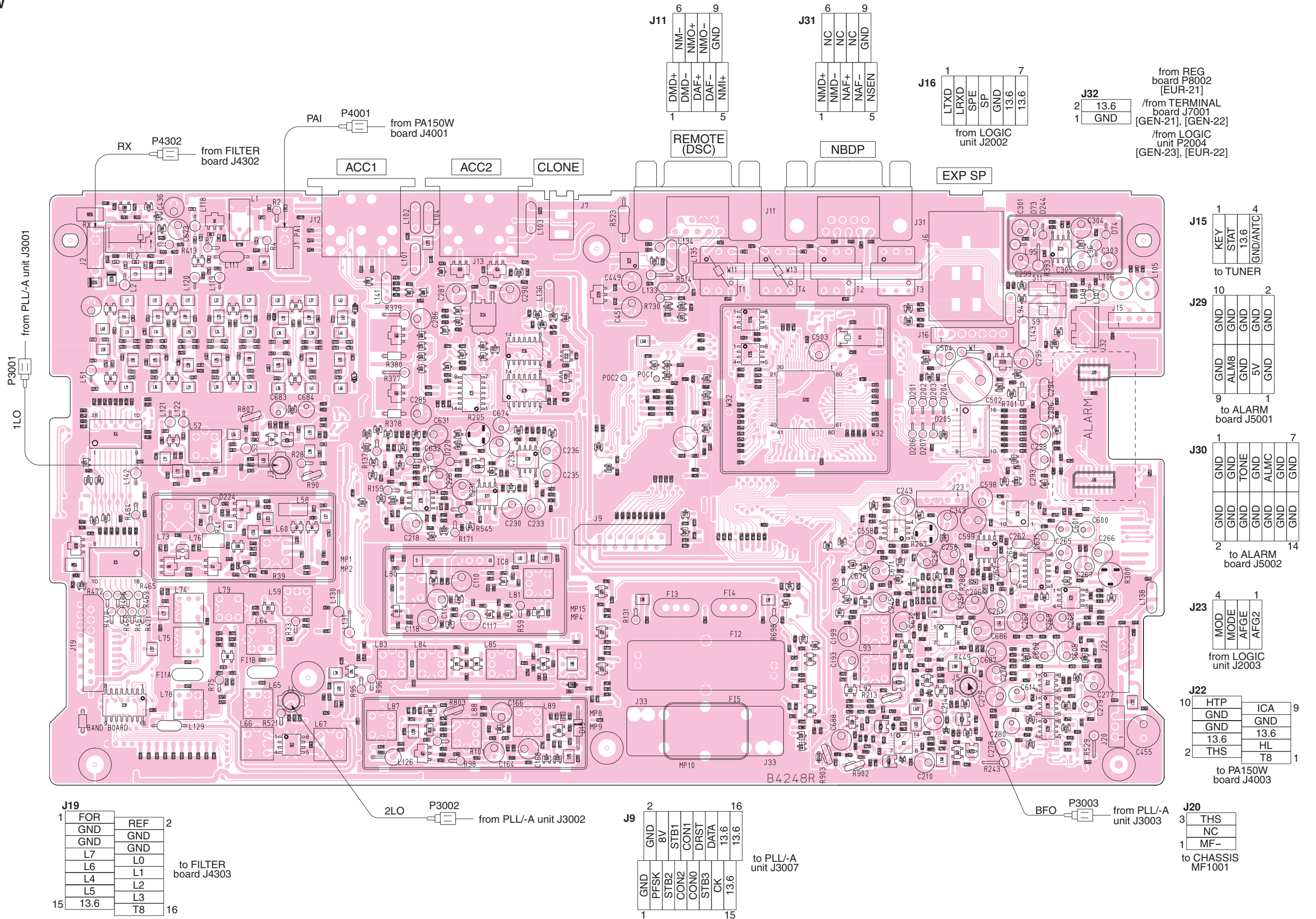
• BOTTOM VIEW (MIC BOARD)



• BOTTOM VIEW (SENSOR1/2 BOARD)



8-6 MAIN UNIT
• TOP VIEW



J11

| | | |
|---|------|---|
| 6 | NM- | 9 |
| 1 | DMD+ | 5 |
| | DMD- | |
| | DAF+ | |
| | DAF- | |
| | NMI+ | |

J31

| | | |
|---|------|---|
| 6 | NC | 9 |
| 1 | NMD+ | 5 |
| | NMD- | |
| | NAF+ | |
| | NAF- | |
| | NSEN | |

J16

| | | |
|---|------|---|
| 1 | LTXD | 7 |
| | LRXD | |
| | SPE | |
| | SP | |
| | GND | |
| | 13.6 | |
| | 13.6 | |

from LOGIC unit J2002

J32

| | | |
|---|------|---|
| 2 | 13.6 | from REG board P8002 [EUR-21] |
| 1 | GND | /from TERMINAL board J7001 [GEN-21], [GEN-22] |
| | | /from LOGIC unit P2004 [GEN-23], [EUR-22] |

J15

| | | |
|---|----------|---|
| 1 | KEY | 4 |
| | STAT | |
| | 13.6 | |
| | GND/ANTC | |

to TUNER

J29

| | | |
|----|------|---|
| 10 | GND | 2 |
| | GND | |
| | ALM8 | |
| | GND | |
| | 5V | |
| | GND | |
| 9 | GND | 1 |

to ALARM board J5001

J30

| | | |
|---|------|----|
| 1 | GND | 7 |
| | GND | |
| | tone | |
| | GND | |
| | ALMC | |
| | GND | |
| 2 | GND | 14 |

to ALARM board J5002

J23

| | | |
|---|------|---|
| 4 | MOD | 1 |
| | MODE | |
| | AFGE | |
| | AFG2 | |

from LOGIC unit J2003

J22

| | | |
|----|------|---|
| 10 | HTP | 9 |
| | GND | |
| | GND | |
| | 13.6 | |
| | 13.6 | |
| 2 | THS | 1 |

to PA150W board J4003

J19

| | | |
|----|------|----|
| 1 | FOR | 2 |
| | GND | |
| | GND | |
| | L7 | |
| | L6 | |
| | L4 | |
| | L5 | |
| 15 | 13.6 | 16 |
| | T8 | |

to FILTER board J4303

J9

| | | |
|---|------|----|
| 2 | GND | 16 |
| | PFSK | |
| | 8V | |
| | STB1 | |
| | CON2 | |
| | CON1 | |
| | CON0 | |
| | DRST | |
| | STB3 | |
| | DATA | |
| | CK | |
| 1 | 13.6 | 15 |

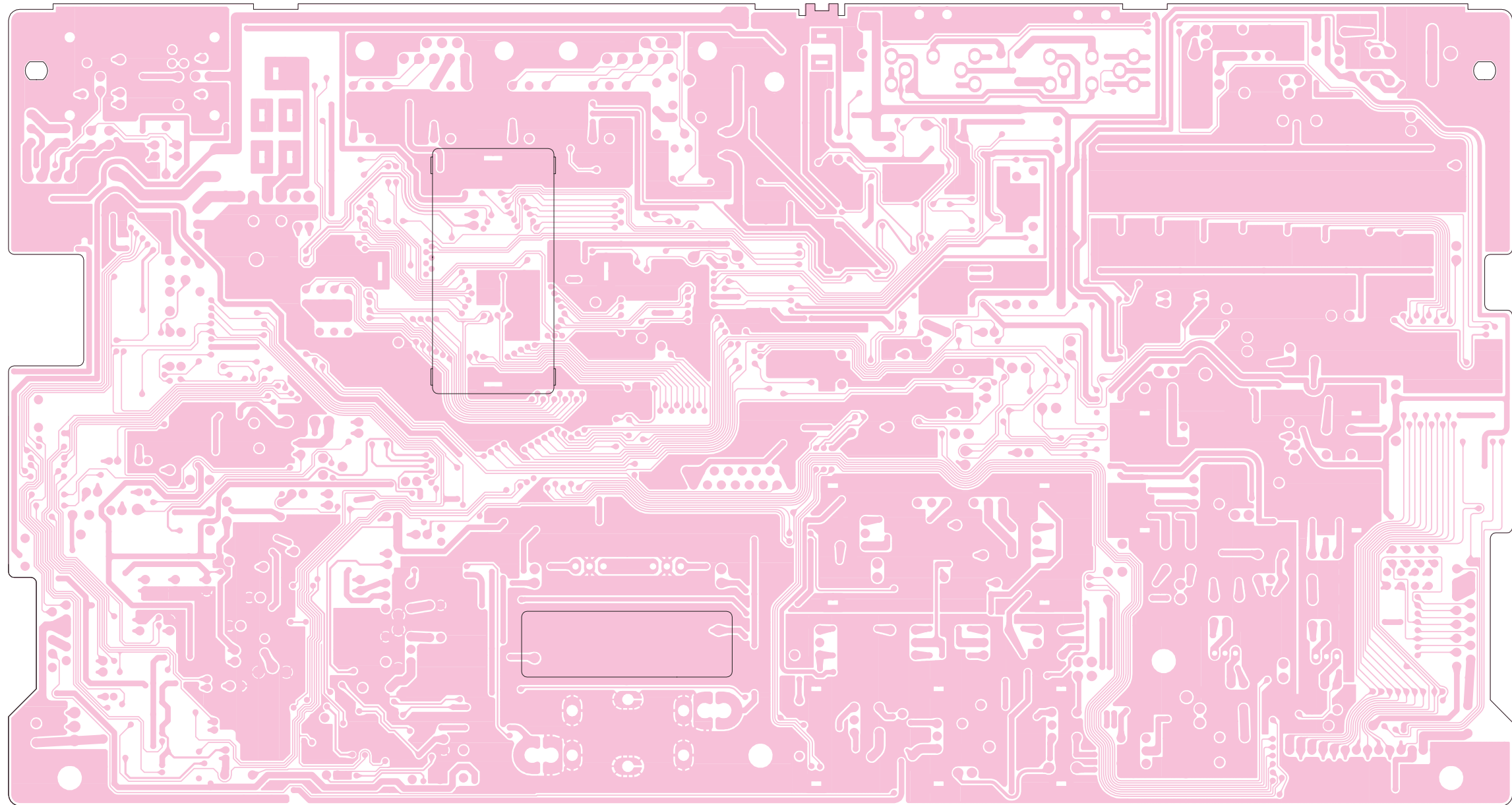
to PLL-A unit J3001

J20

| | | |
|---|-----|--|
| 3 | THS | |
| | NC | |
| 1 | MF- | |

to CHASSIS MF1001

• BOTTOM VIEW (MAIN UNIT)

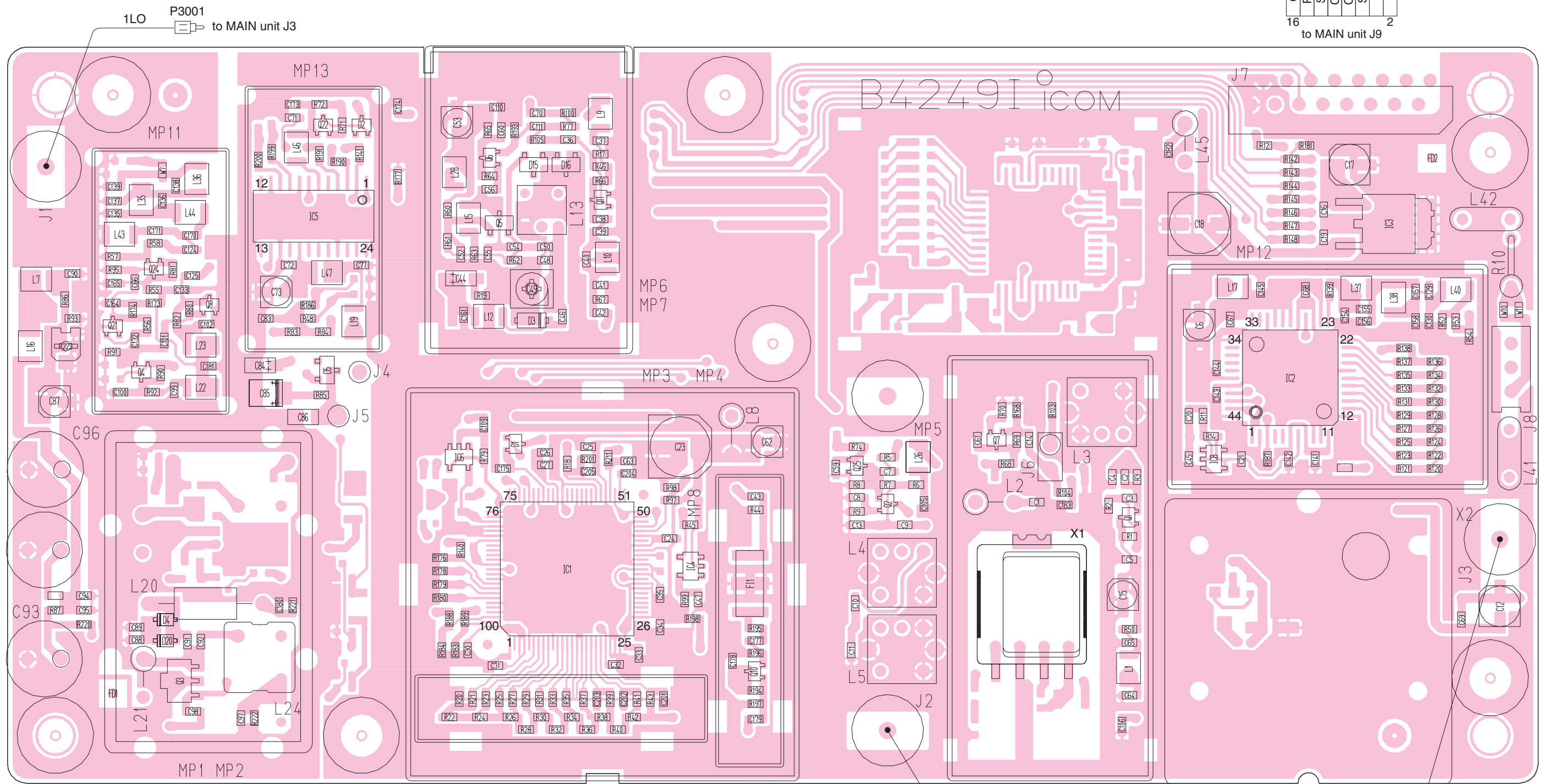


8-7 PLL UNIT (for [GEN-21], [GEN-22], [EUR-21])

• TOP VIEW

| | | | |
|-----|------|------|------|
| 15 | | 1 | |
| GND | 8V | STB1 | CON1 |
| GND | PFSK | STB2 | CON2 |
| 16 | STB3 | CON3 | DRST |
| | | DATA | CK |
| | | 13.6 | 13.6 |
| | | 2 | 2 |

J3007
to MAIN unit J9

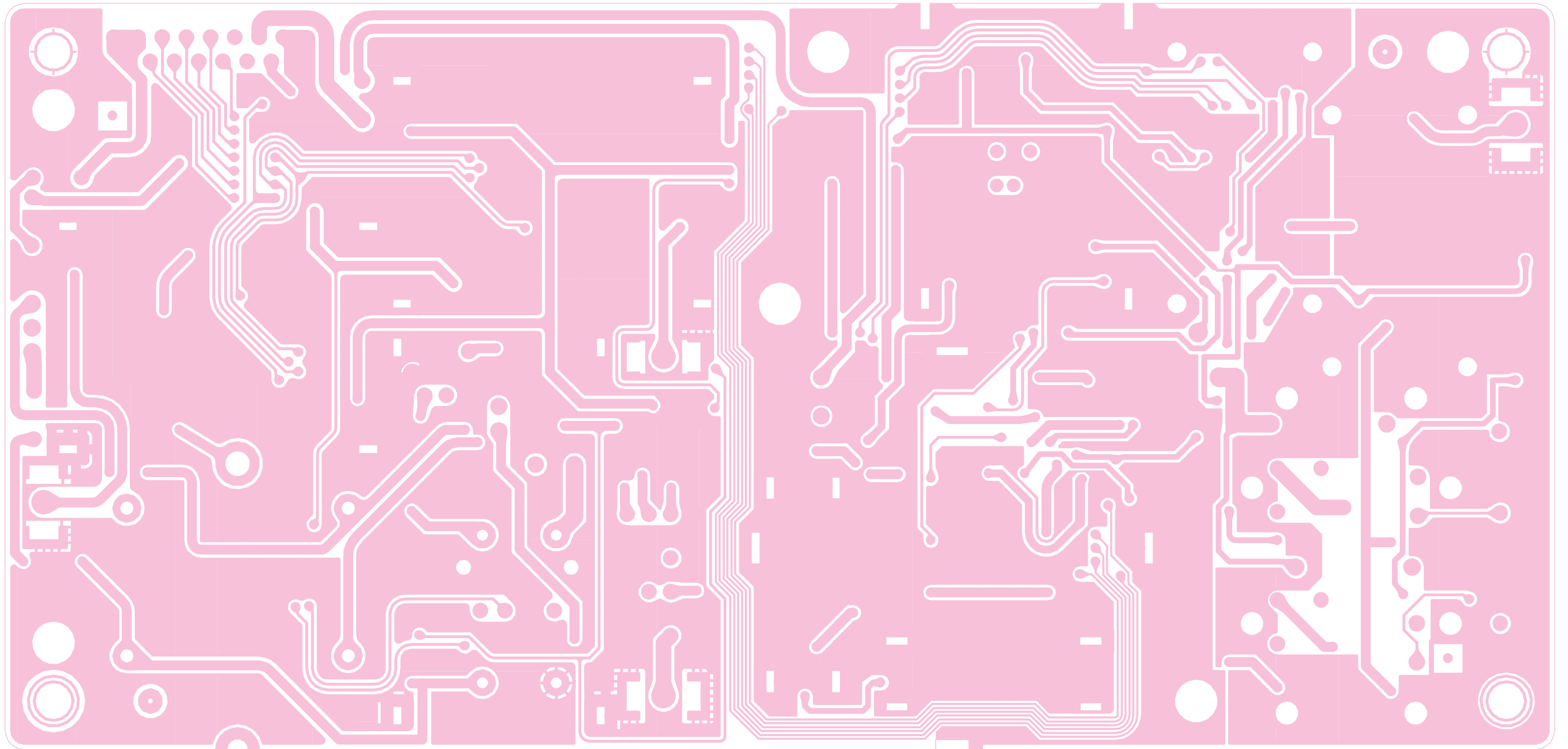


NOTE: Add "3000" to each indicated part number on the unit for the actual number.

2LO P3002 to MAIN unit J4

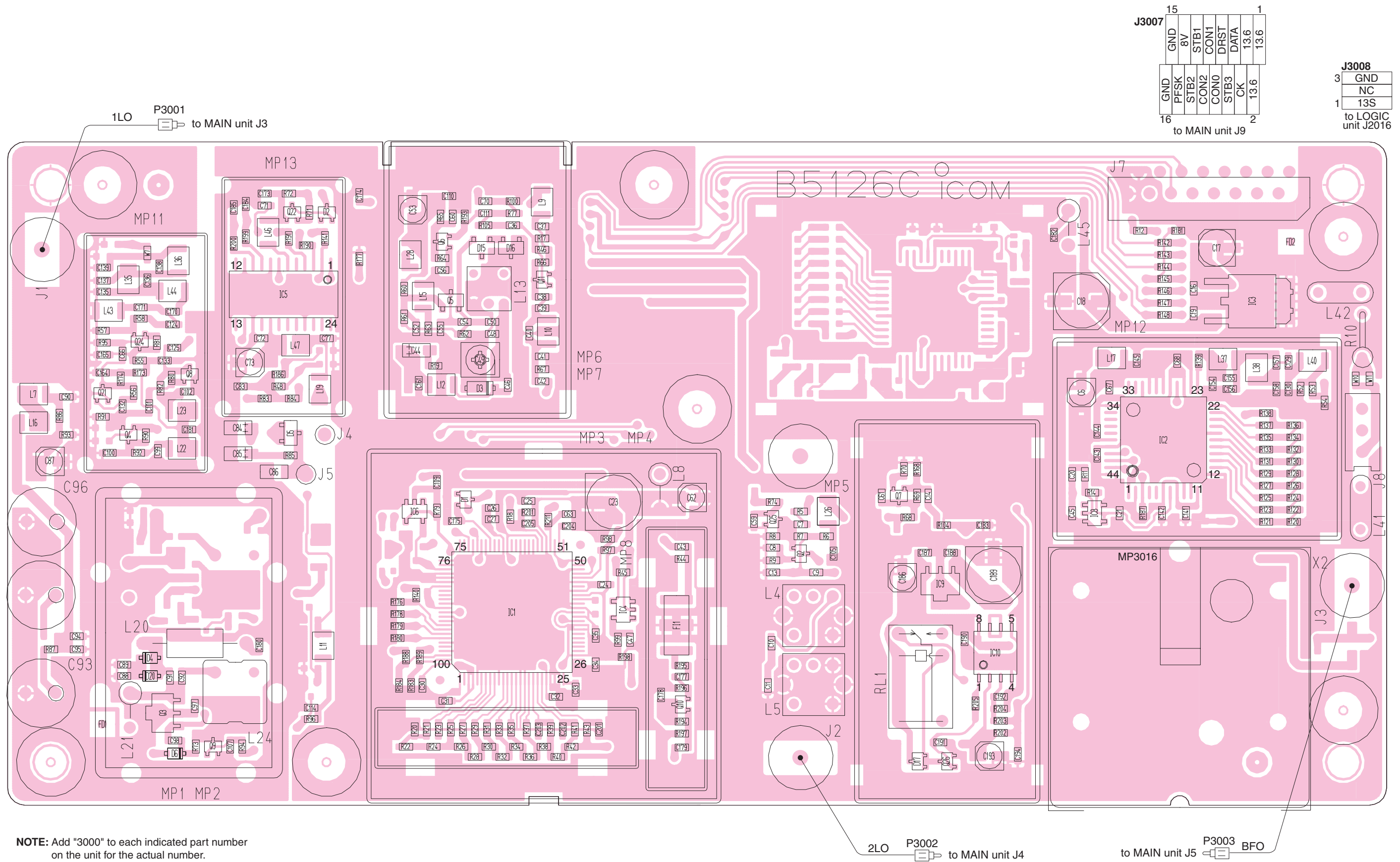
to MAIN unit J5 P3003 BFO

• BOTTOM VIEW (PLL UNIT)



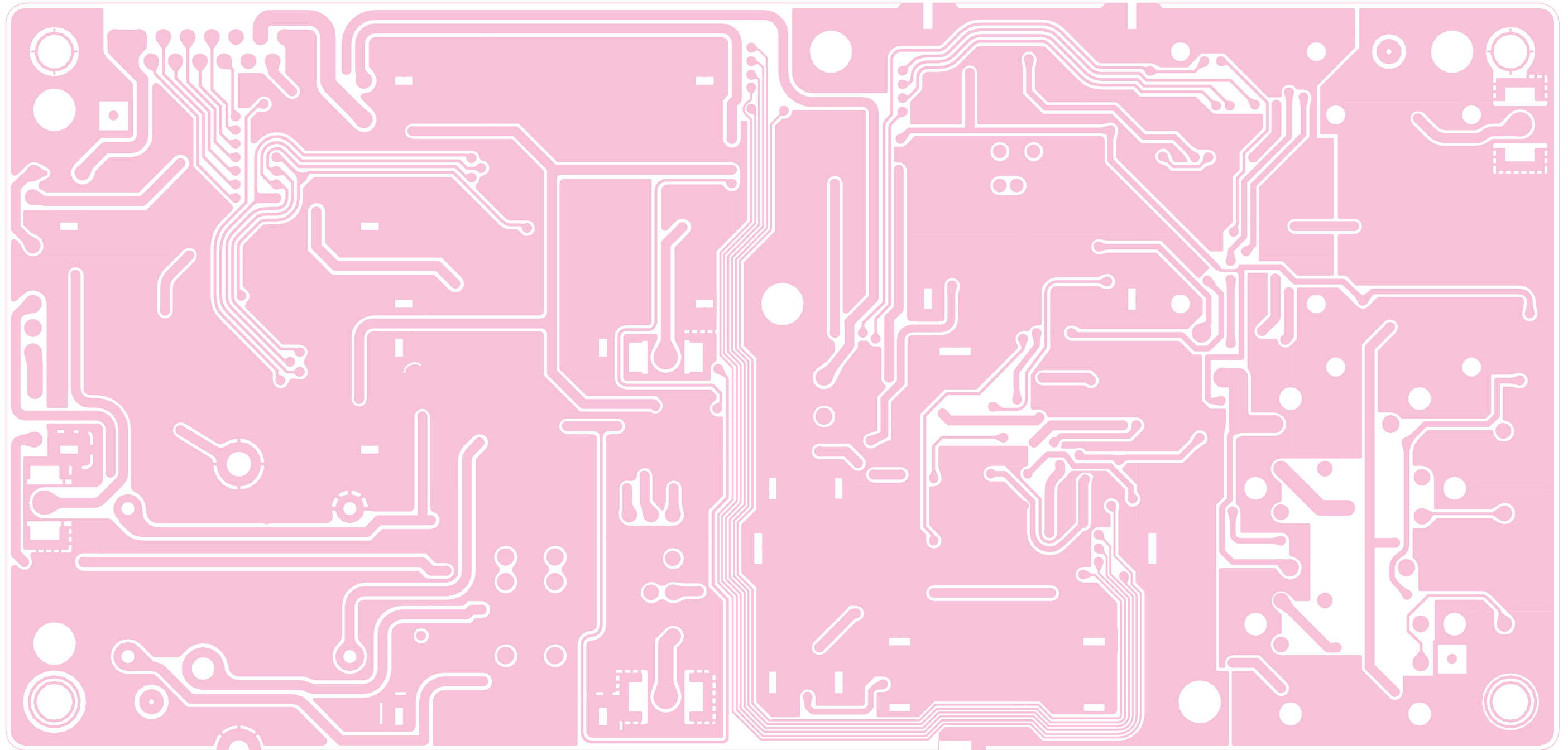
8-8 PLL-A UNIT (for [GEN-23], [EUR-22])

• TOP VIEW

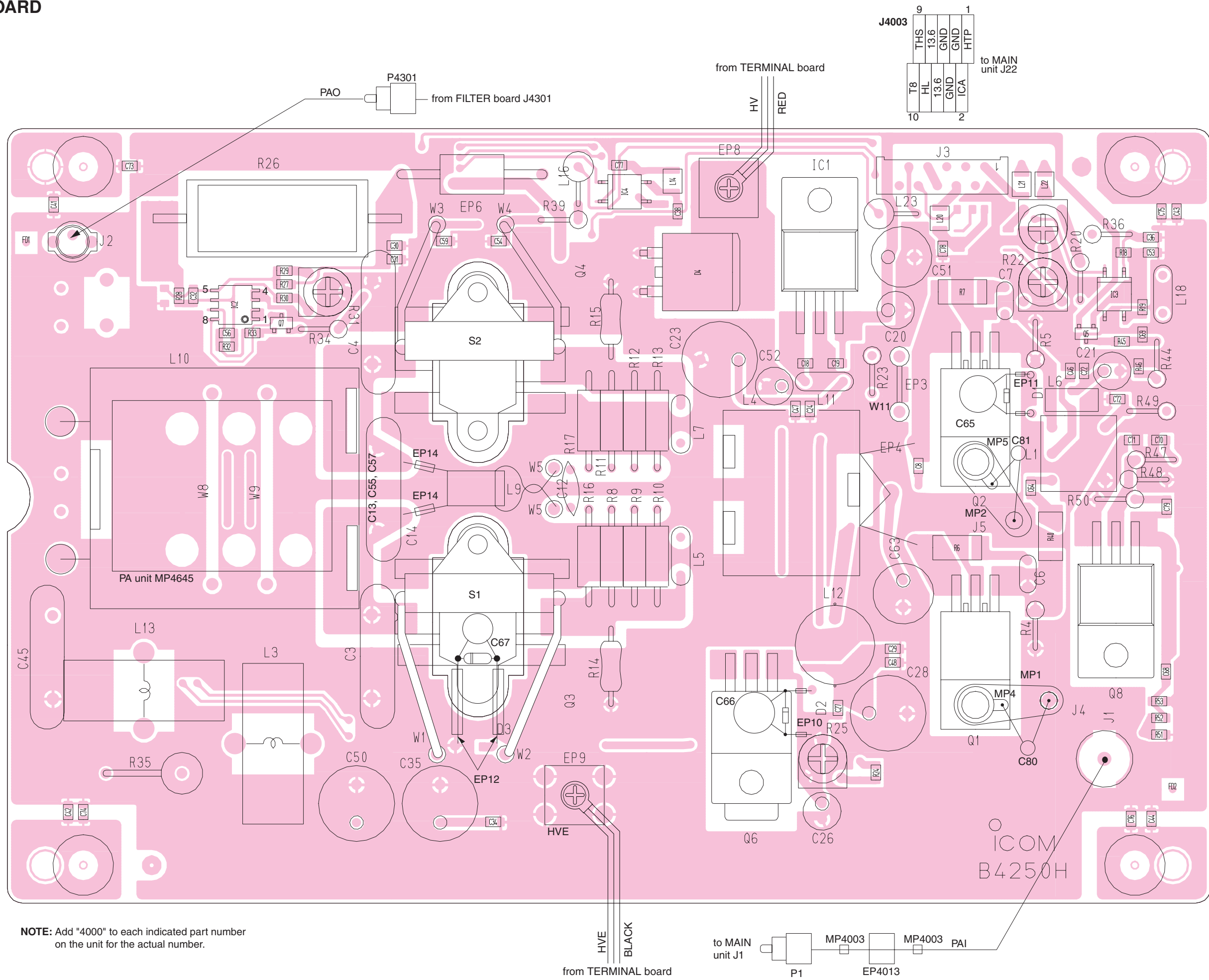


NOTE: Add "3000" to each indicated part number on the unit for the actual number.

• BOTTOM VIEW (PLL-A UNIT)



8-9 PA150W BOARD
• TOP VIEW

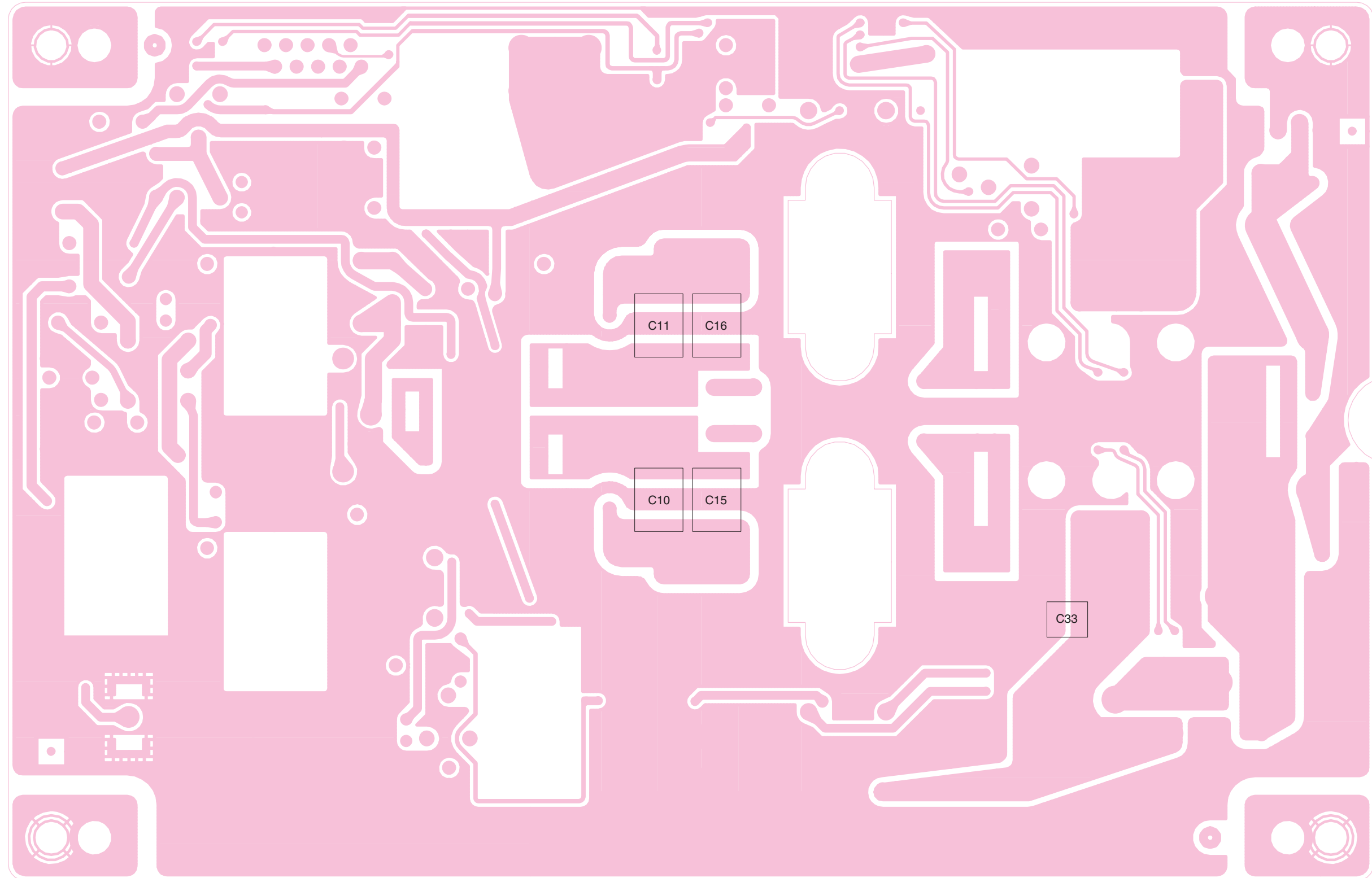


| | | |
|------|------|-----|
| 9 | THS | 1 |
| 13.6 | 13.6 | GND |
| 10 | T8 | 10 |
| HL | HL | 2 |
| 13.6 | 13.6 | GND |
| GND | GND | ICA |
| HTP | HTP | |

to MAIN unit J22

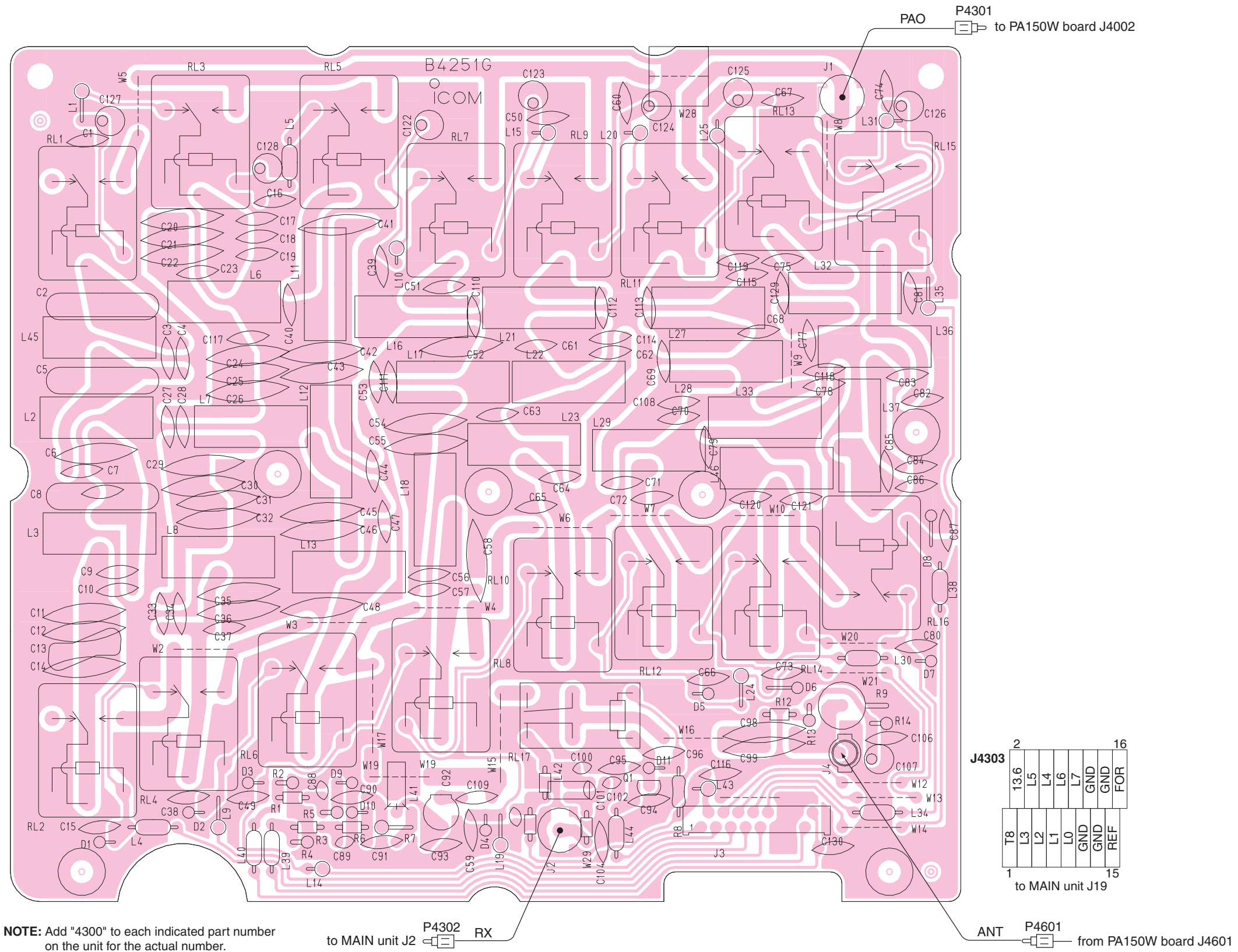
NOTE: Add "4000" to each indicated part number on the unit for the actual number.

• BOTTOM VIEW (PA150W BOARD)

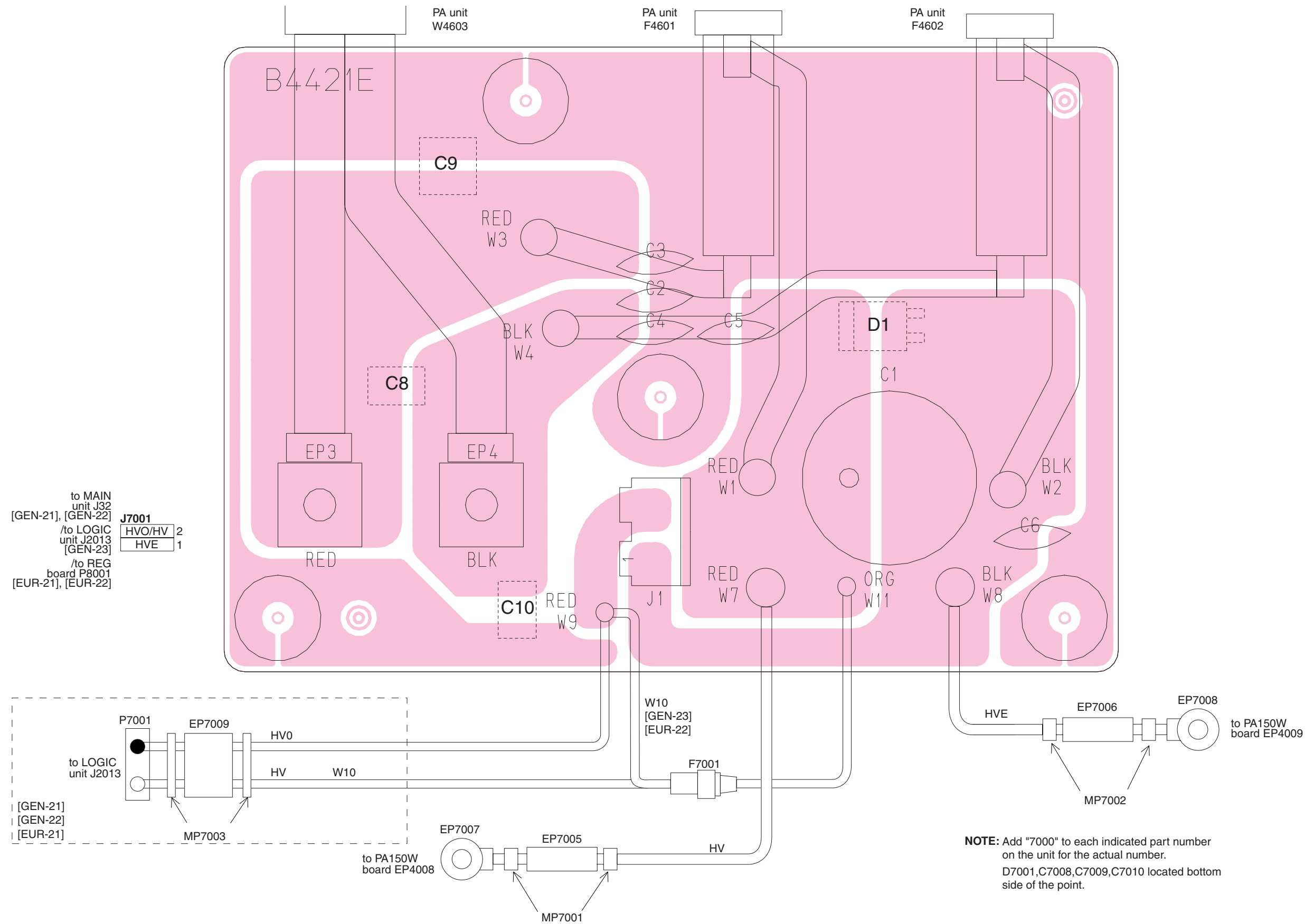


NOTE: Add "4000" to each indicated part number on the unit for the actual number.

8-10 FILTER BOARD

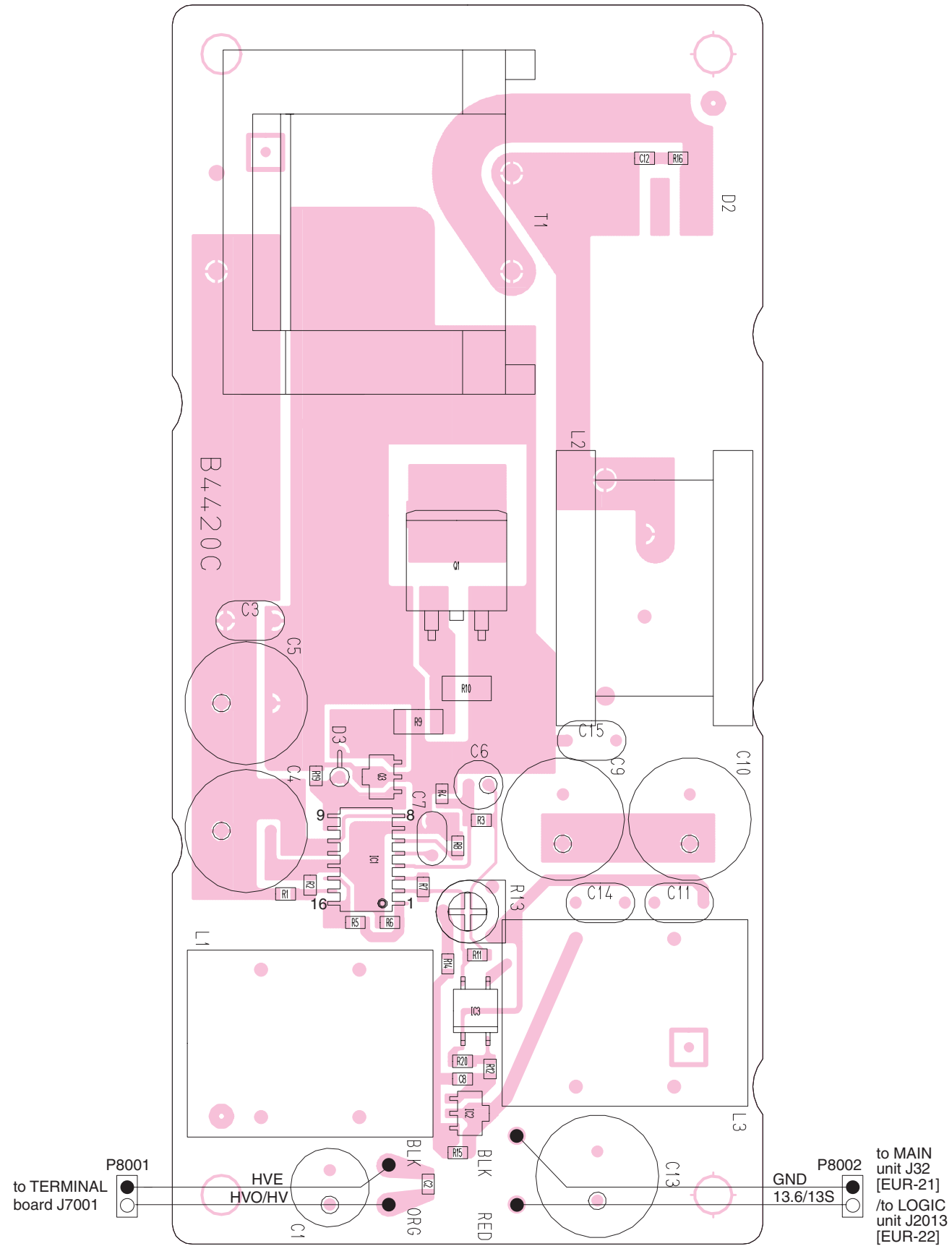


8-11 TERMINAL BOARD

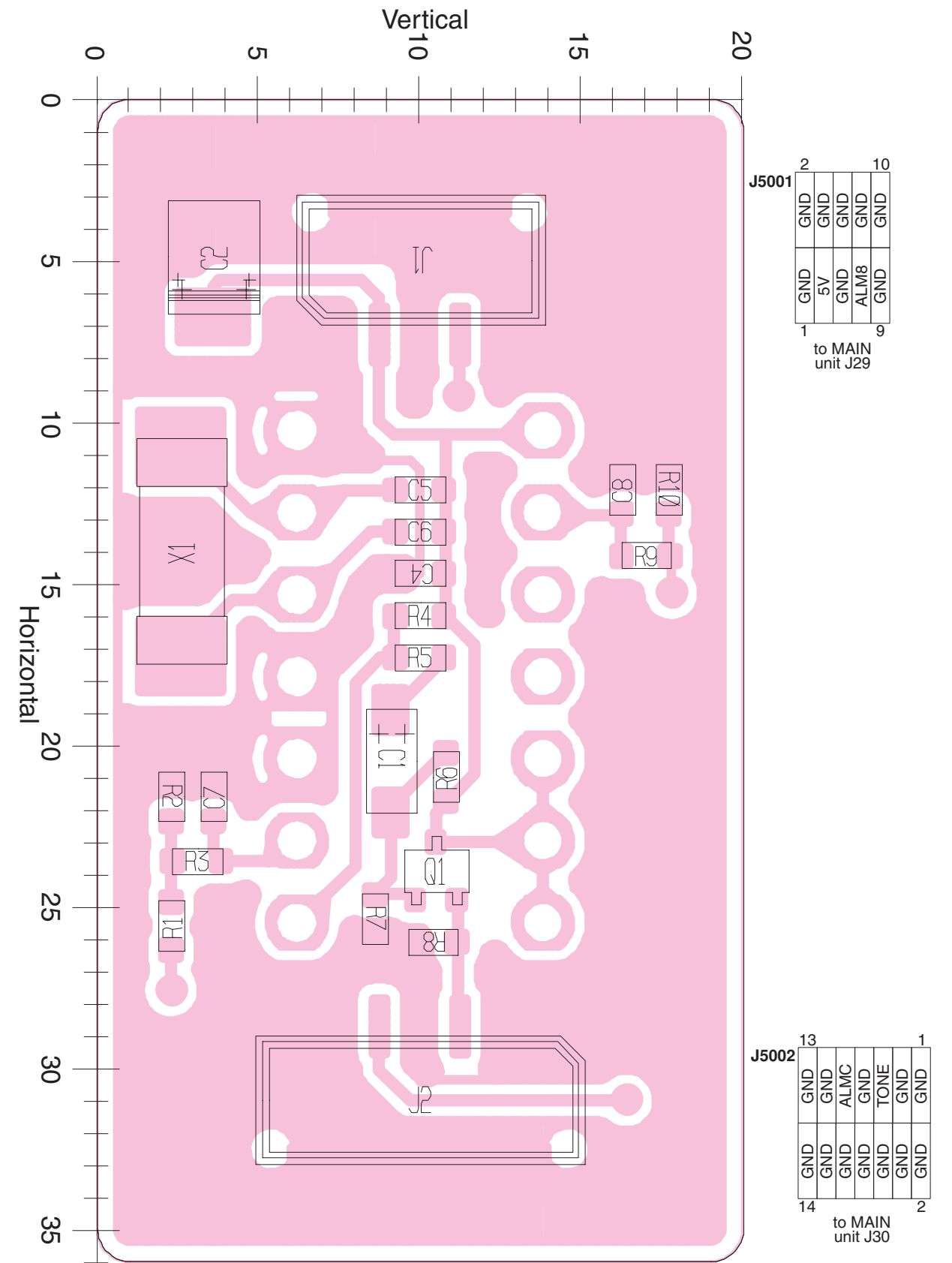


NOTE: Add "7000" to each indicated part number on the unit for the actual number.
D7001, C7008, C7009, C7010 located bottom side of the point.

8-12 REG BOARD [EUR] only
 • TOP VIEW

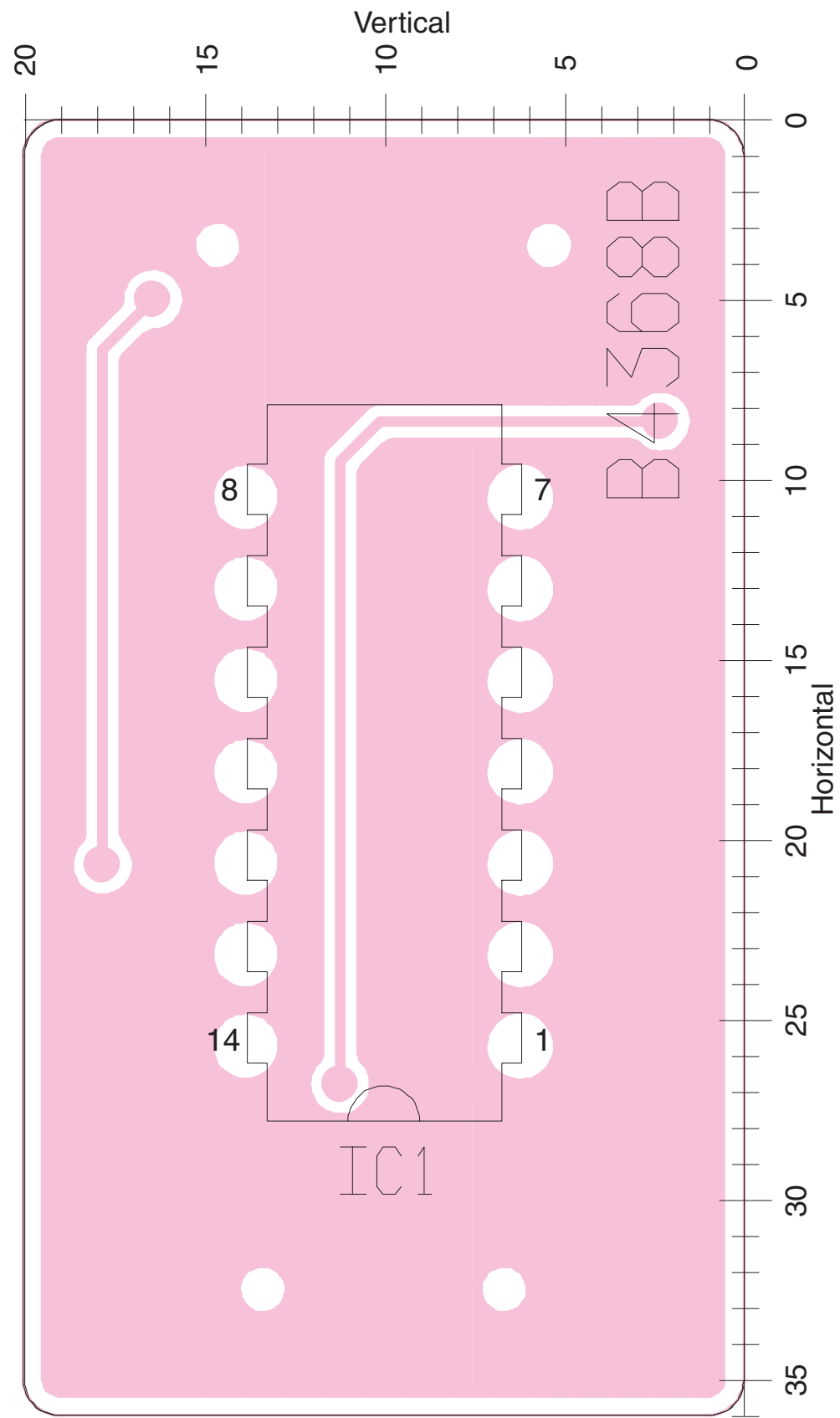


8-13 ALARM BOARD except [GEN-21]
 • TOP VIEW



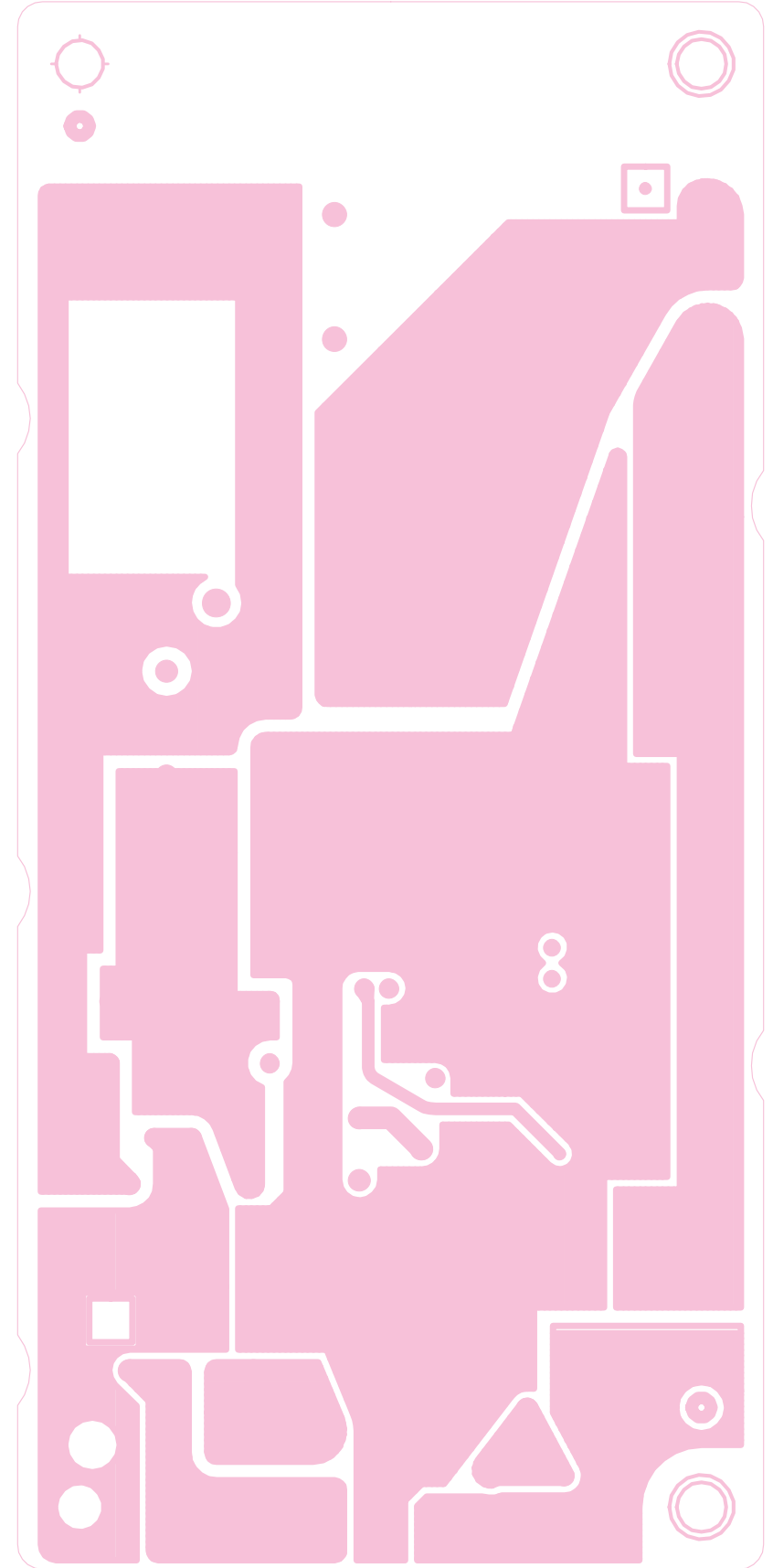
NOTE: Add "5000" to each indicated part number on the unit for the actual number.

• BOTTOM VIEW (ALARM BOARD)

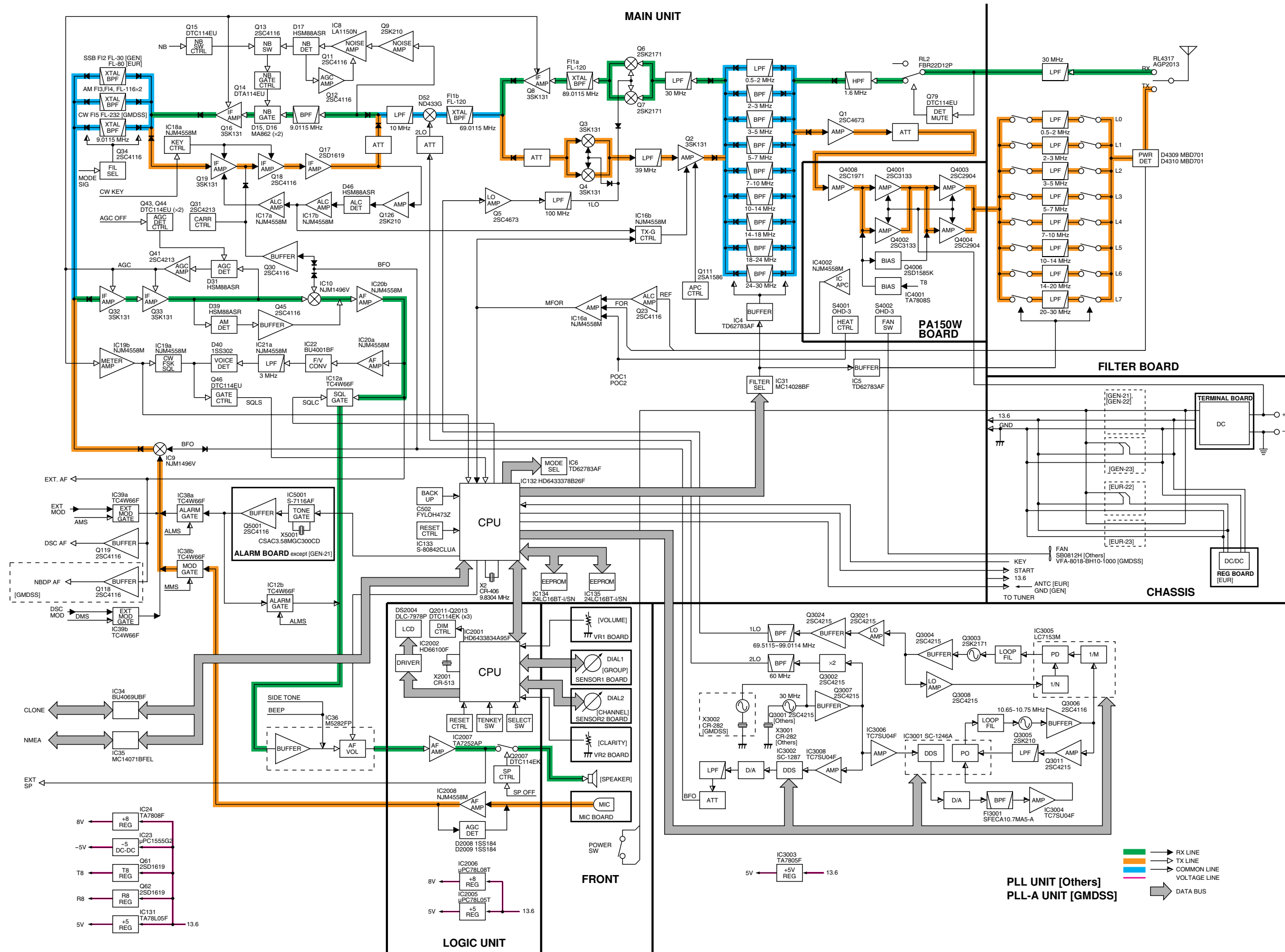


NOTE: Add "5000" to each indicated part number on the unit for the actual number.

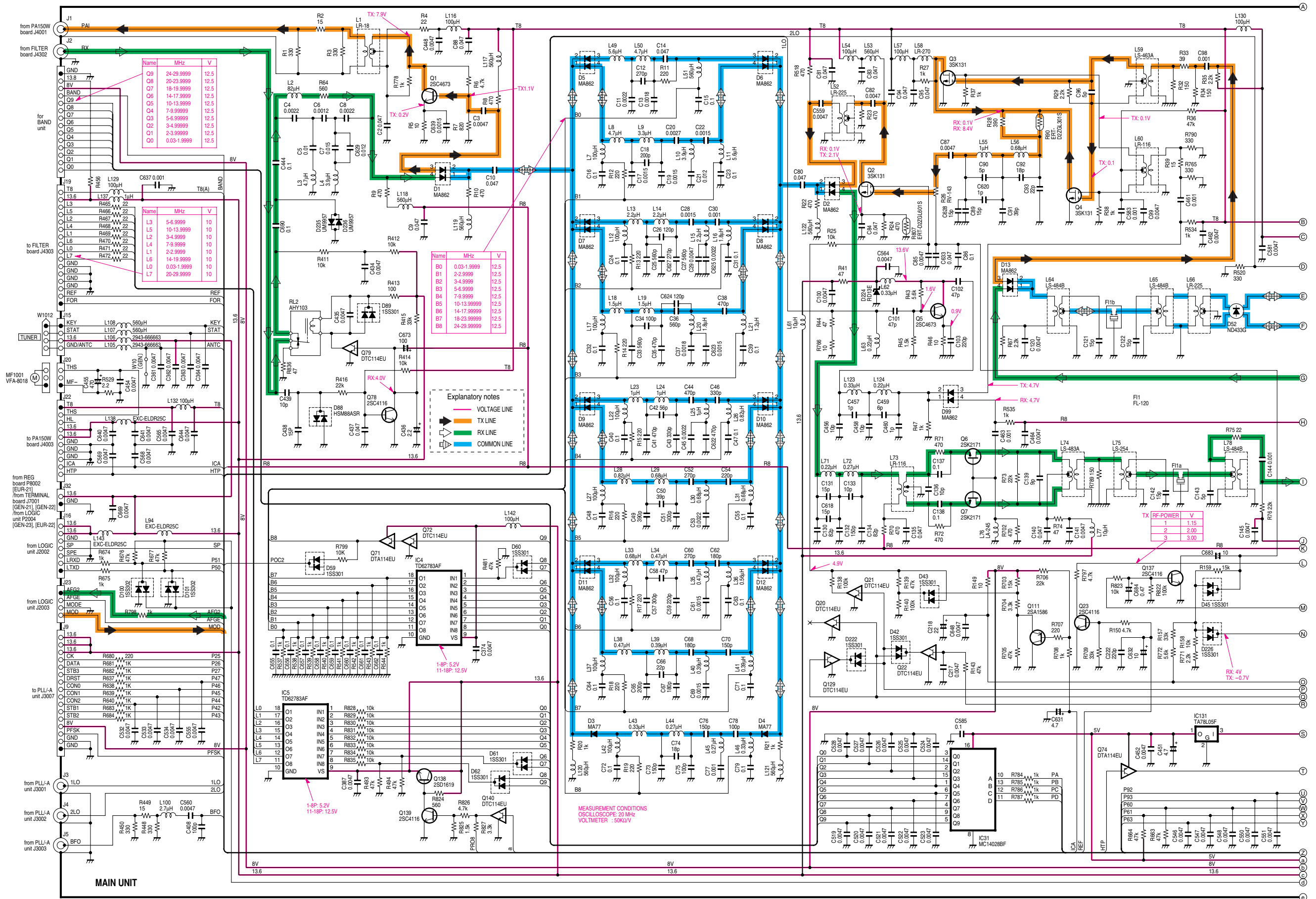
• BOTTOM VIEW (REG BOARD)

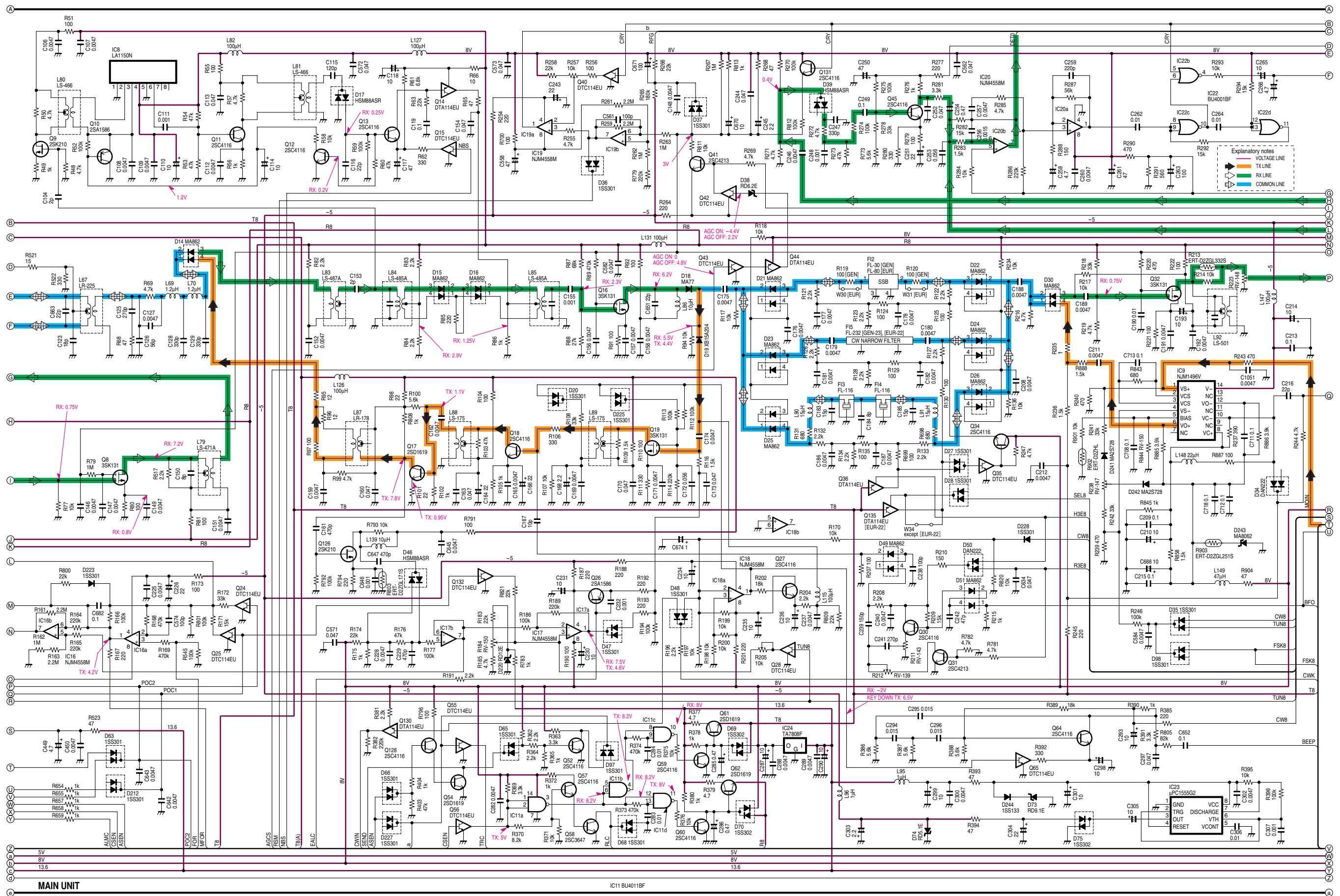


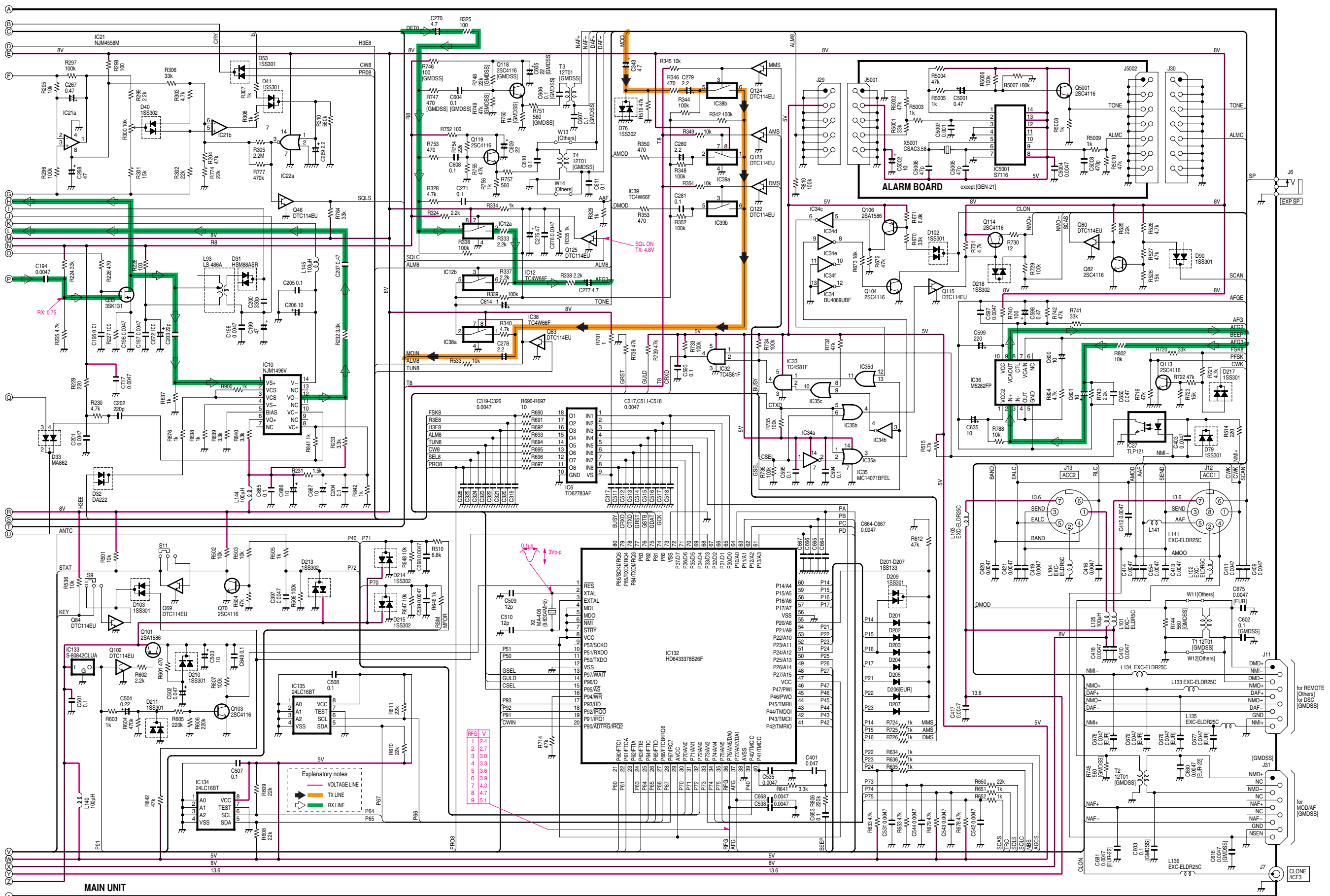
SECTION 9 BLOCK DIAGRAM



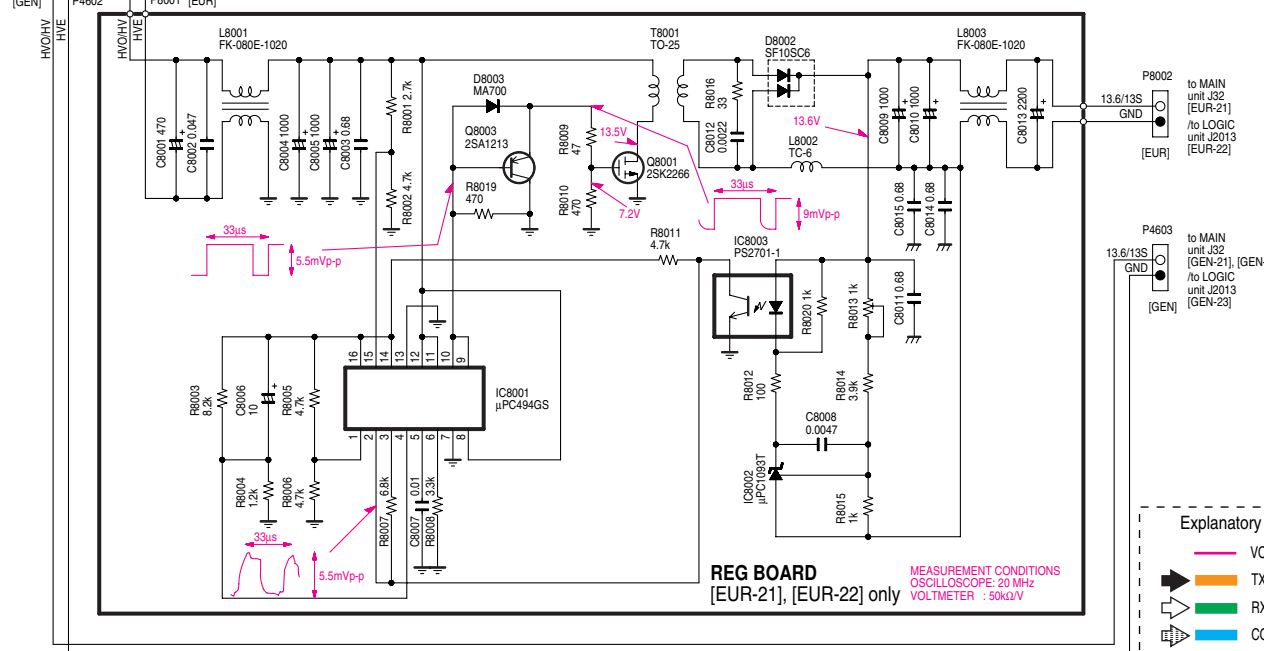
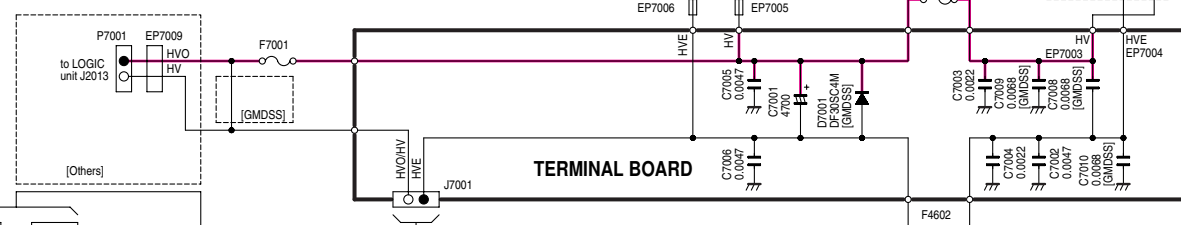
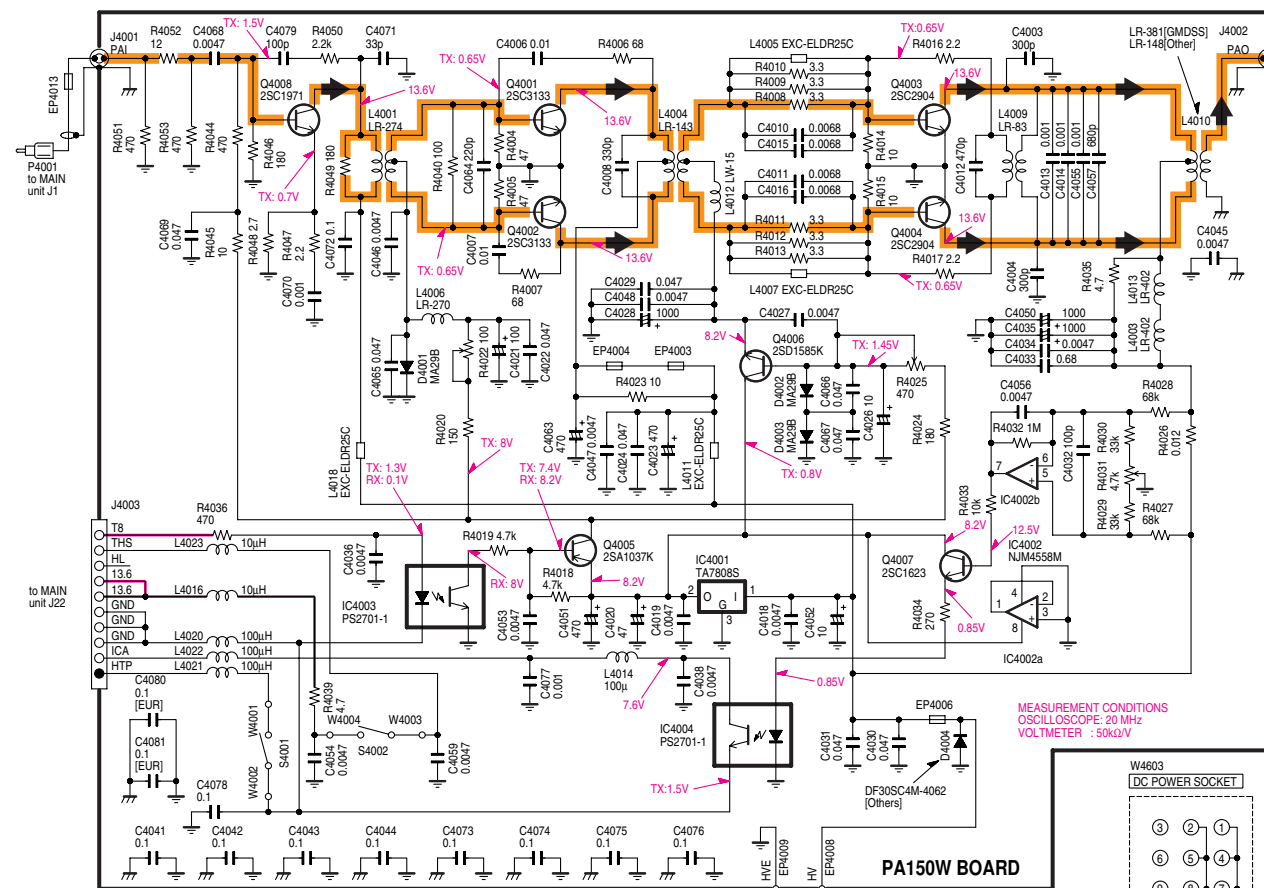
10-2 MAIN UNIT





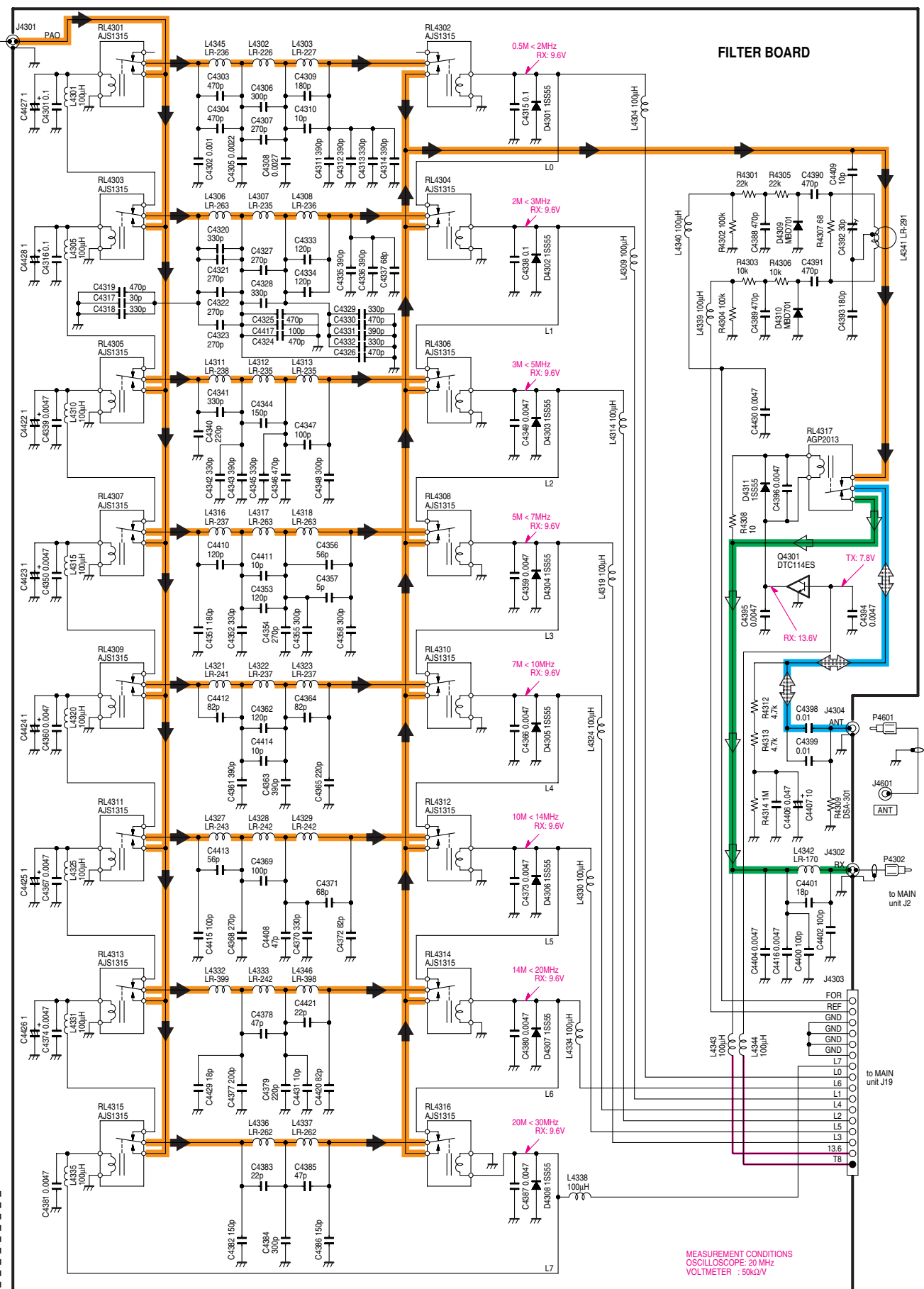


10-5 PA150W, TERMINAL, FILTER AND REG BOARDS



Explanatory notes

- VOLTAGE LINE
- TX LINE
- RX LINE
- COMMON LINE



Icom Inc.

1-1-32, Kamiminami, Hirano-ku, Osaka 547-0003, Japan
Phone : +81 (06) 6793 5302
Fax : +81 (06) 6793 0013
URL : <http://www.icom.co.jp/world/index.html>

Icom America Inc.

<Corporate Headquarters>
2380 116th Avenue N.E., Bellevue, WA 98004, U.S.A.
Phone : +1 (425) 454-8155 Fax: +1 (425) 454-1509
URL : <http://www.icomamerica.com>
E-mail : sales@icomamerica.com
<Customer Service>
Phone : +1 (425) 454-7619

Icom Canada

Glenwood Centre #150-6165
Highway 17 Delta, B.C., V4K 5B8, Canada
Phone : +1 (604) 952-4266 Fax: +1 (604) 952-0090
URL : <http://www.icomcanada.com>
E-mail : info@icomcanada.com

Icom (Australia) Pty. Ltd.

A.B.N. 88 006 092 575
290-294 Albert Street, Brunswick, Victoria, 3056, Australia
Phone : +61 (03) 9387-0666 Fax: +61 (03) 9387-0022
URL : <http://www.icom.net.au>
E-mail : sales@icom.net.au

Icom New Zealand

146A Harris Road, East Tamaki,
Auckland, New Zealand
Phone : +64 (09) 274 4062 Fax: +64 (09) 274 4708
URL : <http://www.icom.co.nz>
E-mail : inquiries@icom.co.nz

Beijing Icom Ltd.

1305, Wanshang Plaza, Shijingshan Road, Beijing China
Phone : +86 (010) 6866 6337 Fax: +86 (010) 6866 3553
URL : <http://www.bjicom.com>
E-mail : bjicom@bjicom.com

Icom (Europe) GmbH

Communication Equipment
Himmelgeister Str. 100, D-40225 Düsseldorf, Germany
Phone : +49 (0211) 346047 Fax: +49 (0211) 333639
URL : <http://www.icomeurope.com>
E-mail : info@icomeurope.com

Icom Spain S.L

Crta. de Gracia a Manresa Km. 14.750
08190 Sant Cugat del Valles Barcelona, SPAIN
Phone : +34 (93) 590 26 70 Fax: +34 (93) 589 04 46
URL : <http://www.icomspain.com>
E-mail : icom@icomspain.com

Icom (UK) Ltd.

Unit 9, Sea St., Herne Bay, Kent, CT6 8LD, U.K.
Phone : +44 (01227) 741741 Fax: +44 (01227) 741742
URL : <http://www.icomuk.co.uk>
E-mail : info@icomuk.co.uk

Icom France S.a

Zac de la Plaine, 1, Rue Brindejonc des Moulinais
BP 5804, 31505 Toulouse Cedex, France
Phone : +33 (5) 61 36 03 03 Fax: +33 (5) 61 36 03 00
URL : <http://www.icom-france.com>
E-mail : icom@icom-france.com

Asia Icom Inc.

6F No.68, Sec. 1 Cheng-Teh Road, Taipei, Taiwan, R.O.C.
Phone : +886 (02) 2559 1899 Fax: +886 (02) 2559 1874
URL : <http://www.asia-icom.com>
E-mail : sales@asia-icom.com

Icom Polska

Sopot, 3 Maja 54 Poland
Phone : +48 (58) 550 7135 Fax: +48 (58) 551 0484
E-mail : icompolska@icompolska.com.pl

Count on us!

Icom Inc.

1-1-32, Kamiminami, Hirano-ku, Osaka 547-0003, Japan

S-14109HZ-C1
© 2004 Icom Inc.